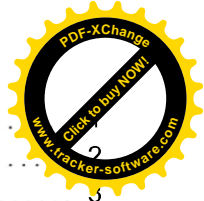
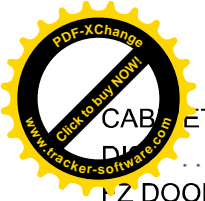
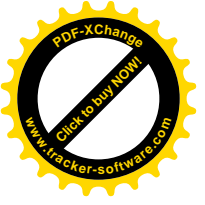
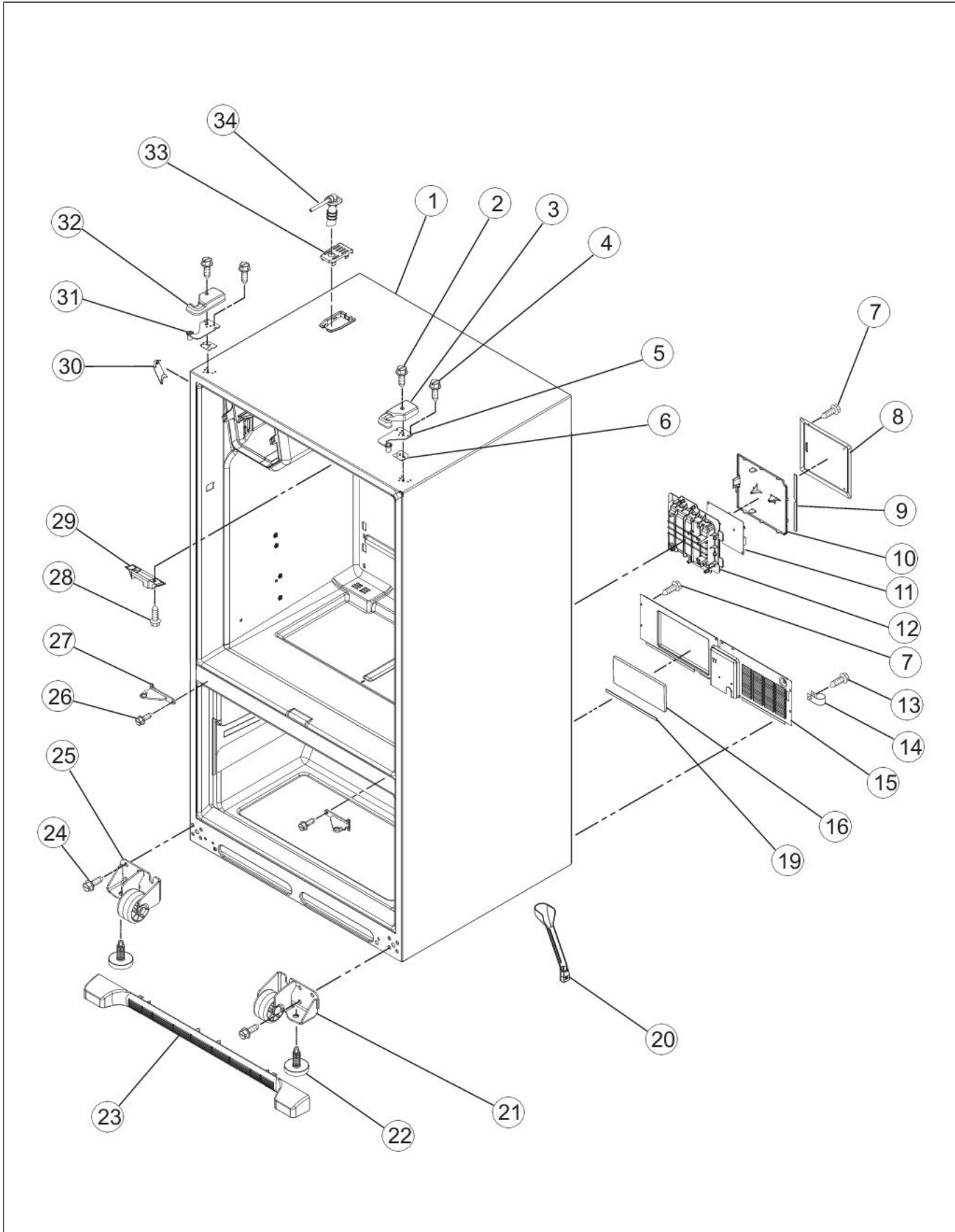


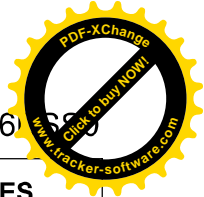
VCFF136DSS0



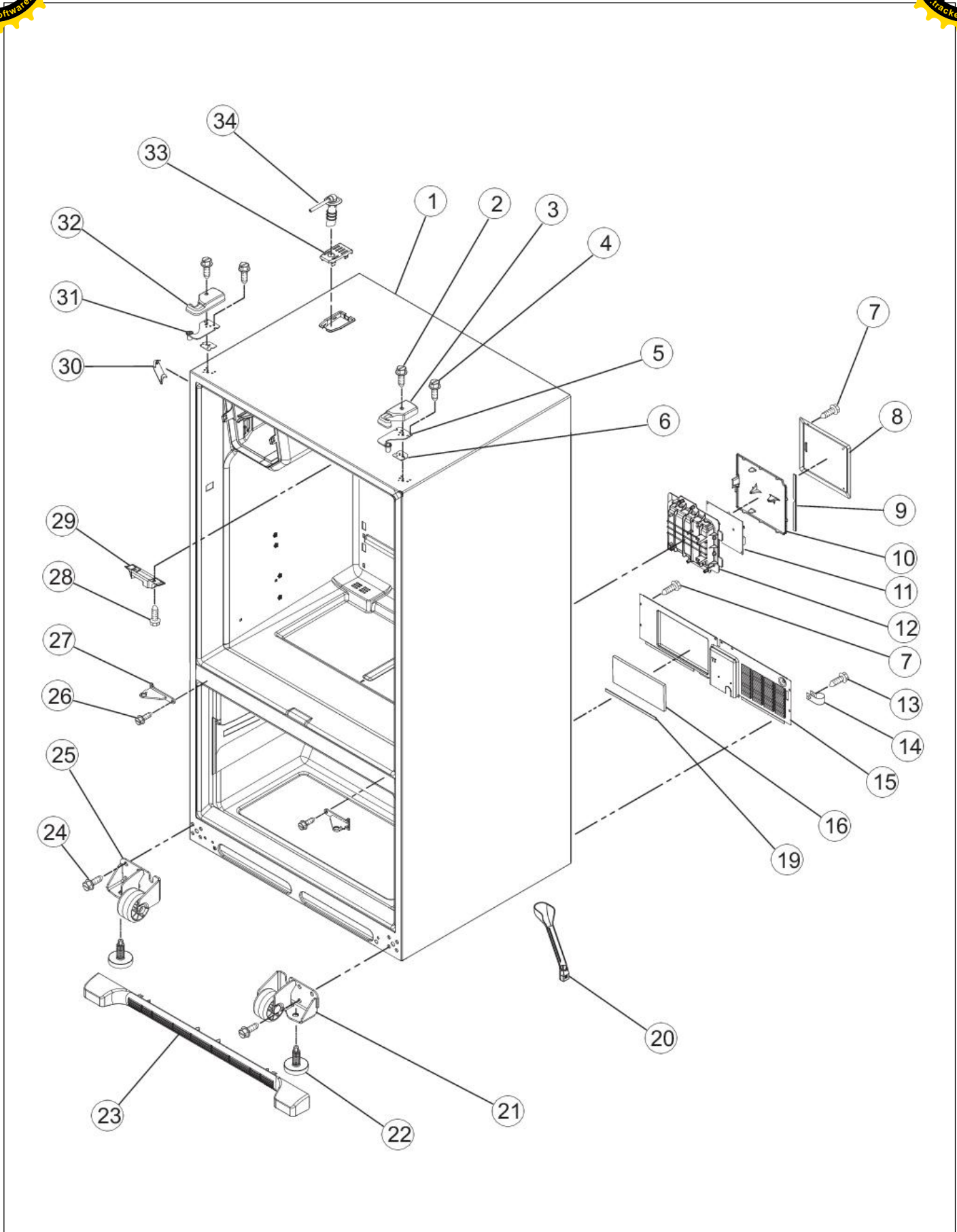
CABINET	1
DOOR	2
FZ DOOR	3
FZ LINER	4
ICE MAKER	5
MOTOR	6
REF DOOR	7
REF LINER	8
SHELF	9
UNIT	10
Appendix A:Pages Index	A
Appendix B:Parts Index	B





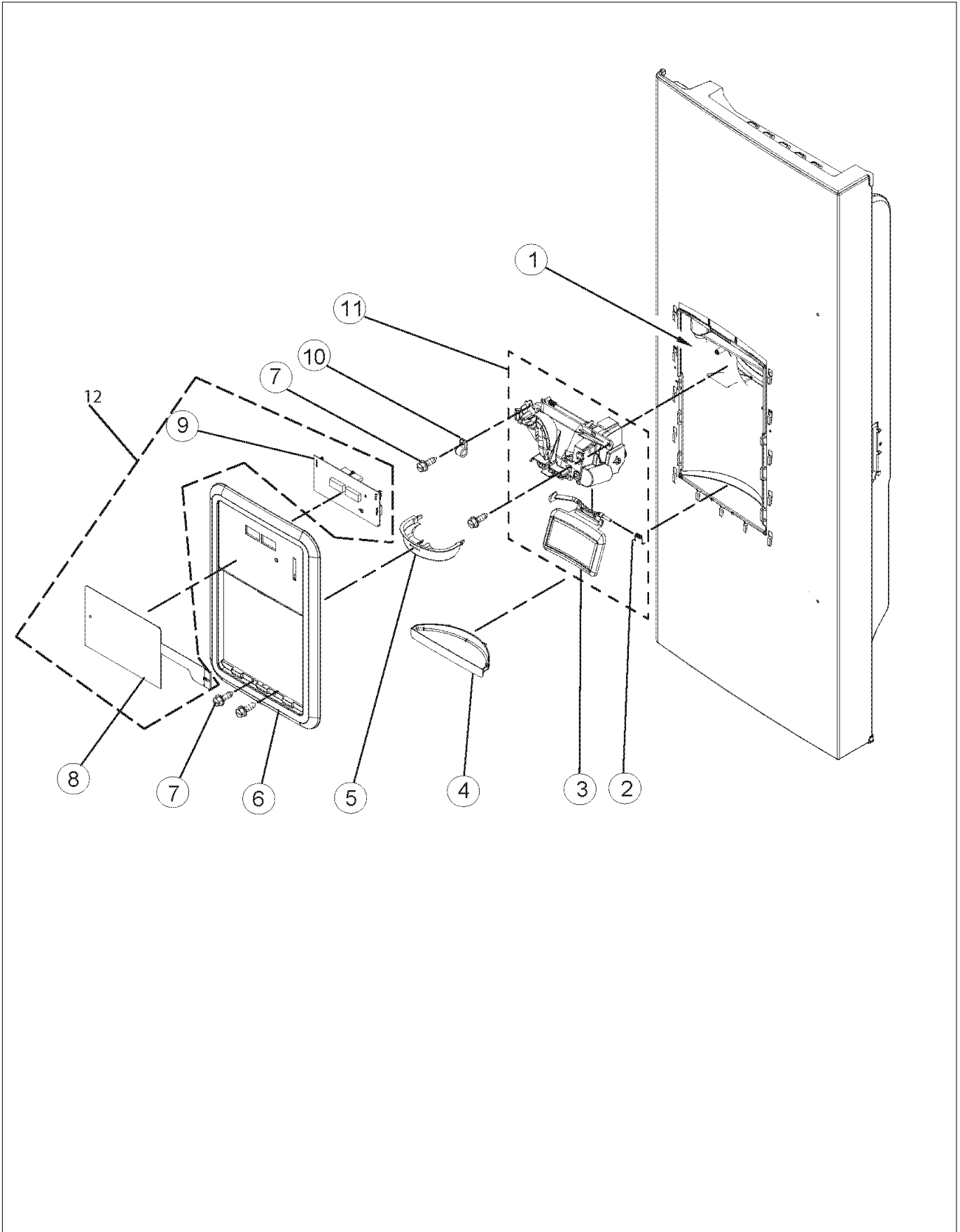


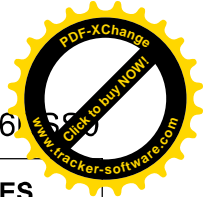
Item	Part No.	Name	Qty	Uom	NOTES
1	NON SERVICEABLE	CABINET	1	EA	
2	021734-000	SCREW	1	EA	
3	021936-000	COVER, RIGHT HINGE, APOLLO GREY	1	EA	
4	021733-000	SCREW	6	EA	
5	021937-000	HINGE, TOP RIGHT	1	EA	
6	021938-000	SHIM, TOP HINGE, LEFT	2	EA	
7	021727-000	SCREW	2	EA	
8	021707-000	COVER-CONTROL BOX	1	EA	
9	021706-000	GASKET, HV BOX	1	EA	
10	021940-000	LID, HV CONTROL	1	EA	
11	021941-000	BOARD, HV CONTROL	1	EA	
12	021942-000	BOX, HV CONTROL	1	EA	
13	PS400129	SCREW, SMALL (67006425)	10	EA	
14	PS400182	CLAMP, TUBE	1	EA	NO LONGER AVAILABLE
15	021943-000	COVER, MC BACK	1	EA	
16	021697-000	INSULATION, SOUND	1	EA	
19	021790-000	GASKET	1	EA	
20	028580-000	P TRAP DRAIN	1	EA	
Comments for Part Num. 028580-000					
bradleysapplianceservice@shaw.ca on Dec 9, 2016					
028580-000 NEW STYLE P-TRAP DRAIN TUBE					
21	021847-000	ROLLER ASSY., FRONT RIGHT	1	EA	
22	011488-000	BRAKE, FOOT	1	EA	
23	PS400103	GRILLE, TOE, BLACK	1	EA	
NI	021944-000	GRILLE, TOE, APOLLO GREY	1	EA	
24	021728-000	SCREW	8	EA	
25	021848-000	ROLLER ASSY., FRONT LEFT	1	EA	
26	021730-000	SCREW	1	EA	
27	021945-000	HINGE, CENTER, APOLLO GREY	1	EA	
28	021946-000	SCREW	1	EA	



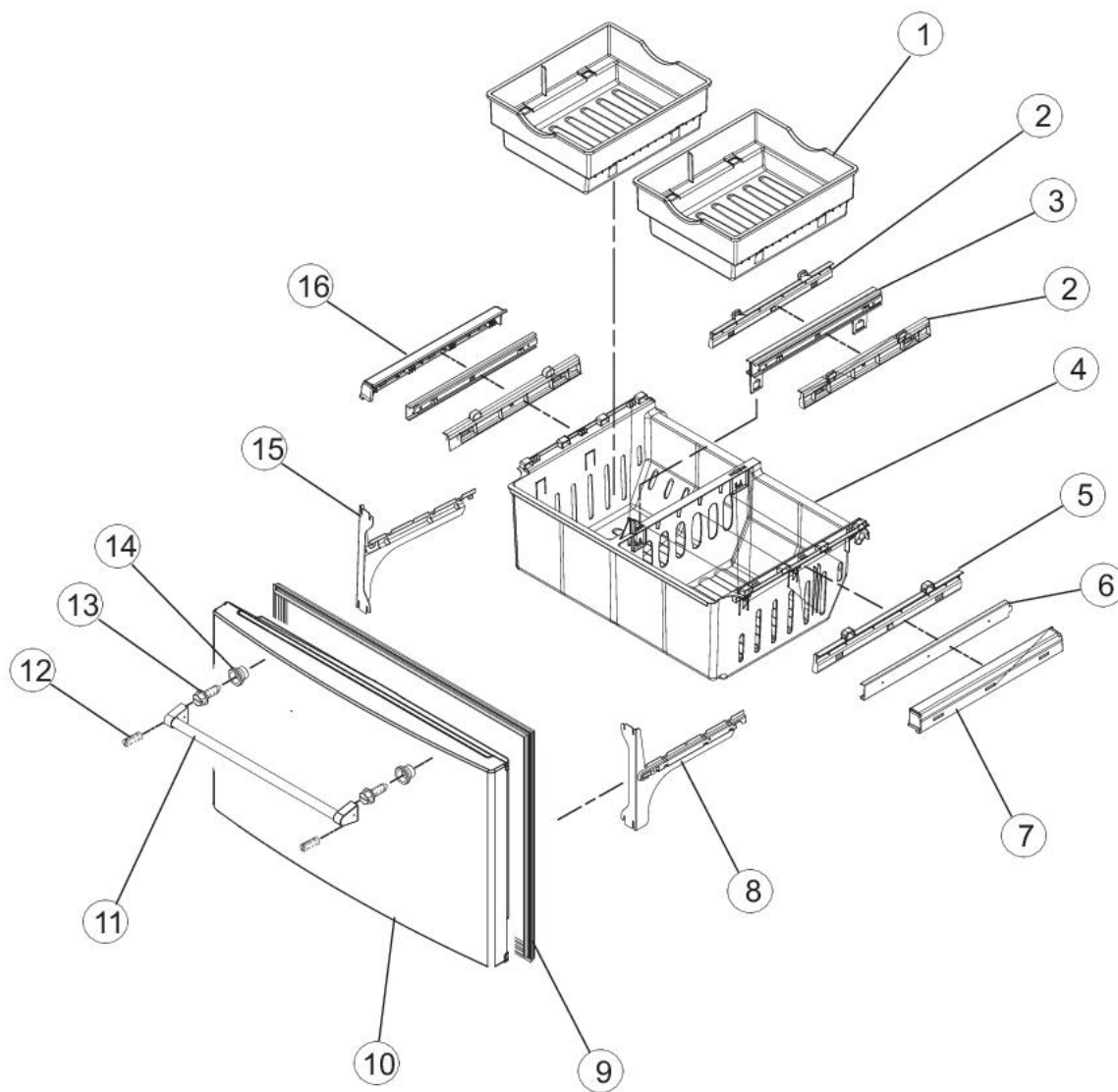


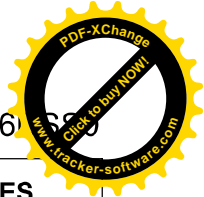
Item	Part No.	Name	Qty	Uom	NOTES
29	021679-000	BLOCK, PIVOT	1	EA	
30	021403-000	COVER, CORNER, APOLLO GREY	2	EA	Not available online / Call for pricing and availability
31	021947-000	HINGE, TOP LEFT	1	EA	
32	021948-000	COVER, LEFT HINGE, APOLLO GREY	1	EA	
33	021949-000	COVER, FILL TUBE, APOLLO GREY	1	EA	
34	021970-000	TUBE W/WATERLINE, FILL-IM	1	EA	



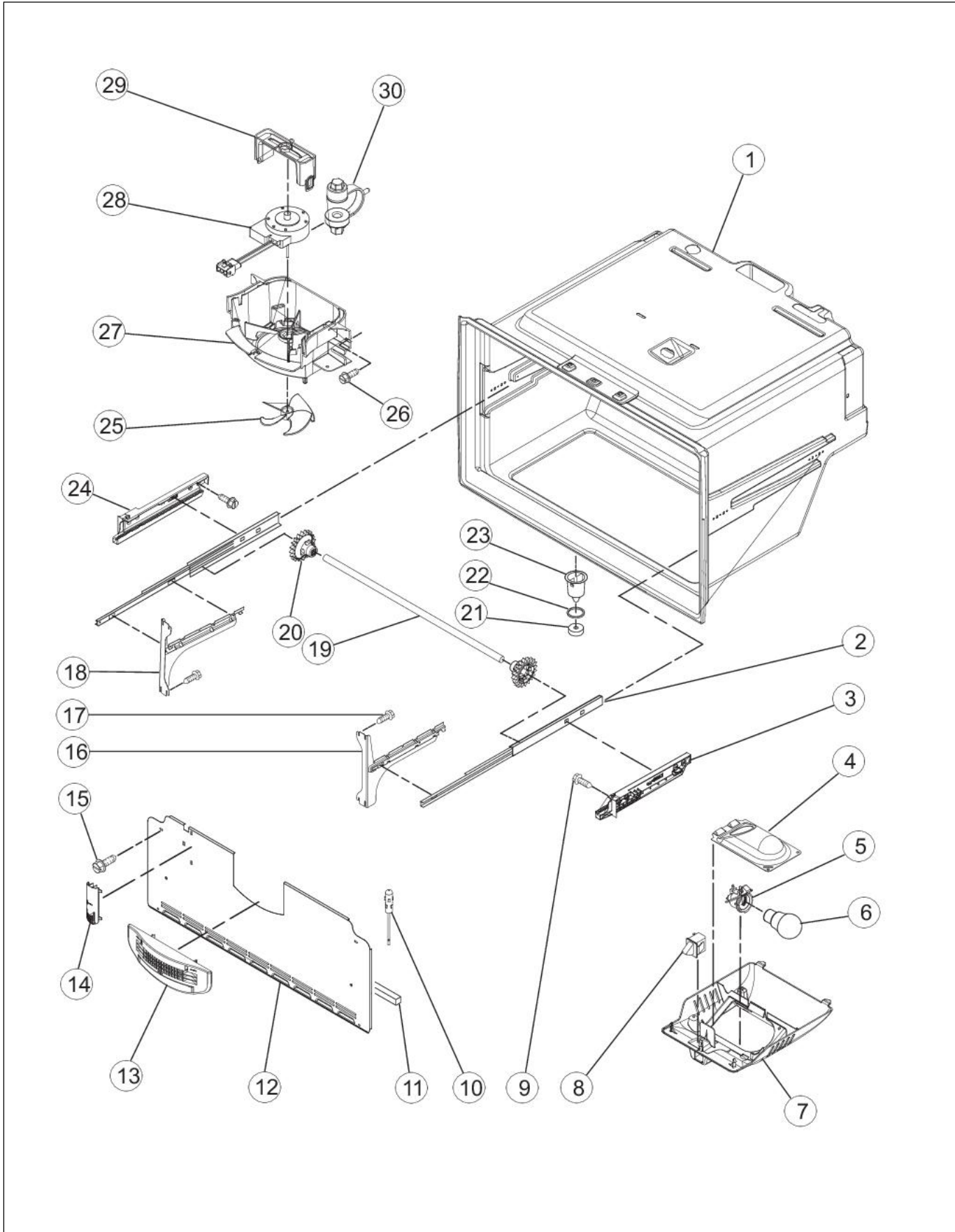


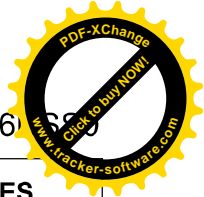
Item	Part No.	Name	Qty	Uom	NOTES
1	NON SERVICEABLE	HOUSING, DISPENSER	1	EA	
2	PS400267	SPRING, CHUTE, DOOR (12565502)	1	EA	
3	022515-000	YOKE/PAD ASSY (MIDNIGHT GREY-DARK)	1	EA	
4	022518-000	SUMP, DISPENSERSTAINLESS	1	EA	
5	022033-000	RING, TARGET	1	EA	
6	022519-000	FAAÅADE, DISPENSER (APLLO GREY)	1	EA	
7	PS400129	SCREW, SMALL (67006425)	4	EA	
8	N/A	DISPENSER KEYBOARD	1	EA	
Not Shown	NOTE	(MUST ORDER ITEM 12)		EA	
9	N/A	CONTROL ASSY (BLACK)	1	EA	
Not Shown	NOTE	(MUST ORDER ITEM 12)		EA	
10	022034-000	CLAMP, TUBE	1	EA	
11	022514-000	CHUTE, EXT/YOKE, INCLUDES SWITCH (MIDNIGHT GREY- DARK)	1	EA	
12	067059-000	DISPLAY ASSEMBLY	1	EA	NO LONGER AVAILABLE, CONTACT CUSTOMER CARE



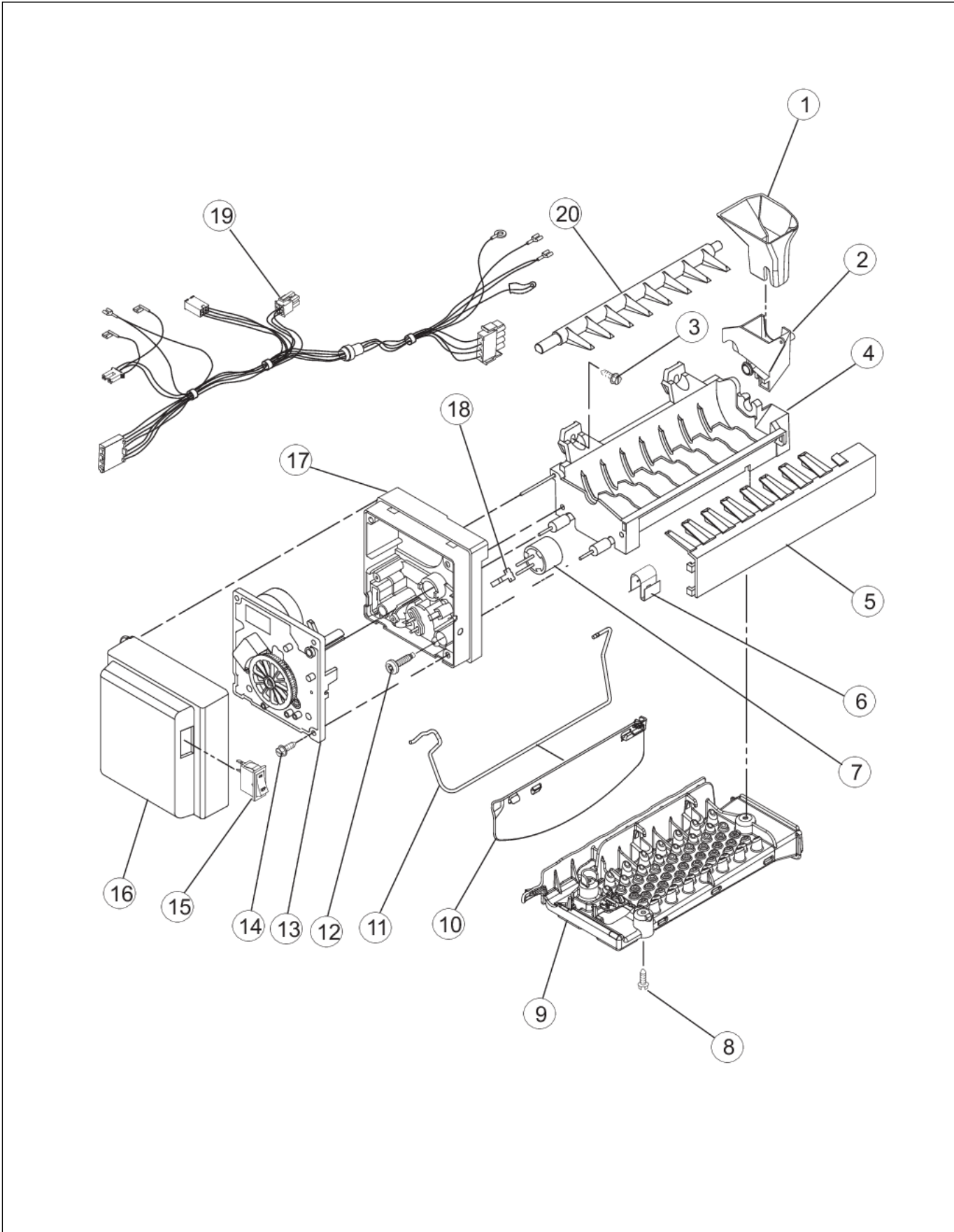


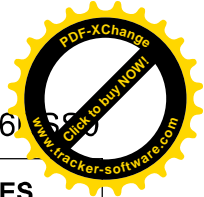
Item	Part No.	Name	Qty	Uom	NOTES
1	022003-000	BIN, UPPER	2	EA	
2	022004-000	ADAPTER, BIN (INNER)	2	EA	
3	022005-000	BRACKET/GLIDE ASSY	1	EA	
4	022001-000	BIN, LOWER	1	EA	
5	022002-000	ADAPTER, BIN (OUTER)	2	EA	
6	022006-000	GLIDE UPPER	2	EA	
7	022008-000	RETAINER, GLIDE (RIGHT)	1	EA	
8	011501-000	BRACKET, DOOR, RIGHT	1	EA	
9	038446-000	GASKET, FREEZER DOOR (APOLLO GREY)	1	EA	
10	021999-000	DOOR, FREEZER (SS)	1	EA	
11	021610-000	HANDLE, STAINLESS STEEL	1	EA	
12	022009-000	FAÇADE, DISPENSER (BLACK)	2	EA	
13	021918-000	SCREW	2	EA	
14	021567-000	STUD, HANDLE	2	EA	
15	011500-000	BRACKET, DOOR, LEFT	1	EA	
16	022007-000	RETAINER, GLIDE (LEFT)	1	EA	



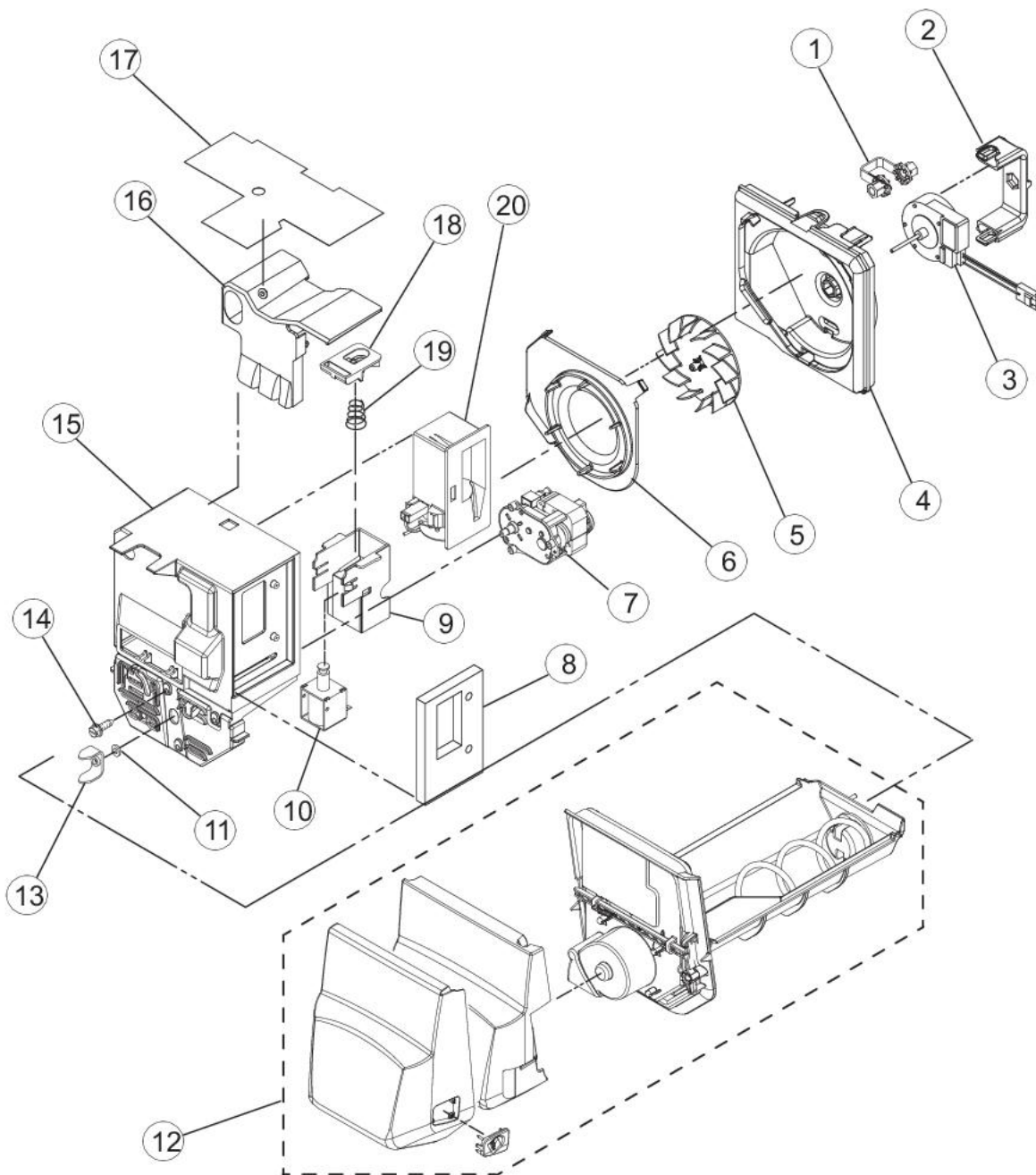


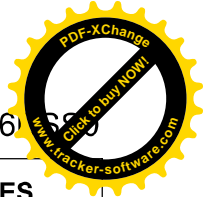
Item	Part No.	Name	Qty	Uom	NOTES
1	PS400091	SEAL, O-RING	1	EA	
2	021737-000	SLIDE, DRAWER	2	EA	
3	021979-000	ADAPTER, RIGHT	1	EA	
4	021759-000	HOUSING, LIGHT	1	EA	
5	021970-000	TUBE W/WATERLINE, FILL-IM	1	EA	
6	021971-000	SUMP, DISPENSER (BLACK)	1	EA	
7	021974-000	MODULE, FREEZER LIGHT	1	EA	Not available online / Call for pricing and availability
8	021976-000	SWITCH, ROCKER	1	EA	
9	021710-000	SCREW	6	EA	
10	PS400063	THERMISTOR	1	EA	
11	021977-000	GASKET, FOAM	1	EA	
12	021973-000	COVER, EVAPORATOR	1	EA	
13	021980-000	GRILLE, FZ AIR	1	EA	
14	021696-000	COVER, THERMISTOR	1	EA	
15	PS400129	SCREW, SMALL (67006425)	4	EA	
16	011501-000	BRACKET, DOOR, RIGHT	1	EA	
17	021724-000	SCREW	1	EA	
18	011500-000	BRACKET, DOOR, LEFT	1	EA	
19	021917-000	SHAFT, RACK	1	EA	
20	011497-000	GEAR, LT/RT	1	EA	
21	PS400091	SEAL, O-RING	1	EA	
22	PS400090	GASKET, DRAIN TUBE	1	EA	
23	PS400092	FUNNEL, DRAIN	1	EA	
24	021978-000	ADAPTER, LEFT	1	EA	
25	021982-000	BLADE, FAN (EVAPORATOR)	1	EA	
26	021711-000	SCREW	4	EA	
27	021981-000	SHROUD, EVAP FAN	1	EA	
28	021984-000	MOTOR, EVAPORATOR	1	EA	
29	021975-000	CLIP, FAN MOTOR	1	EA	
30	021983-000	GROMMET	1	EA	





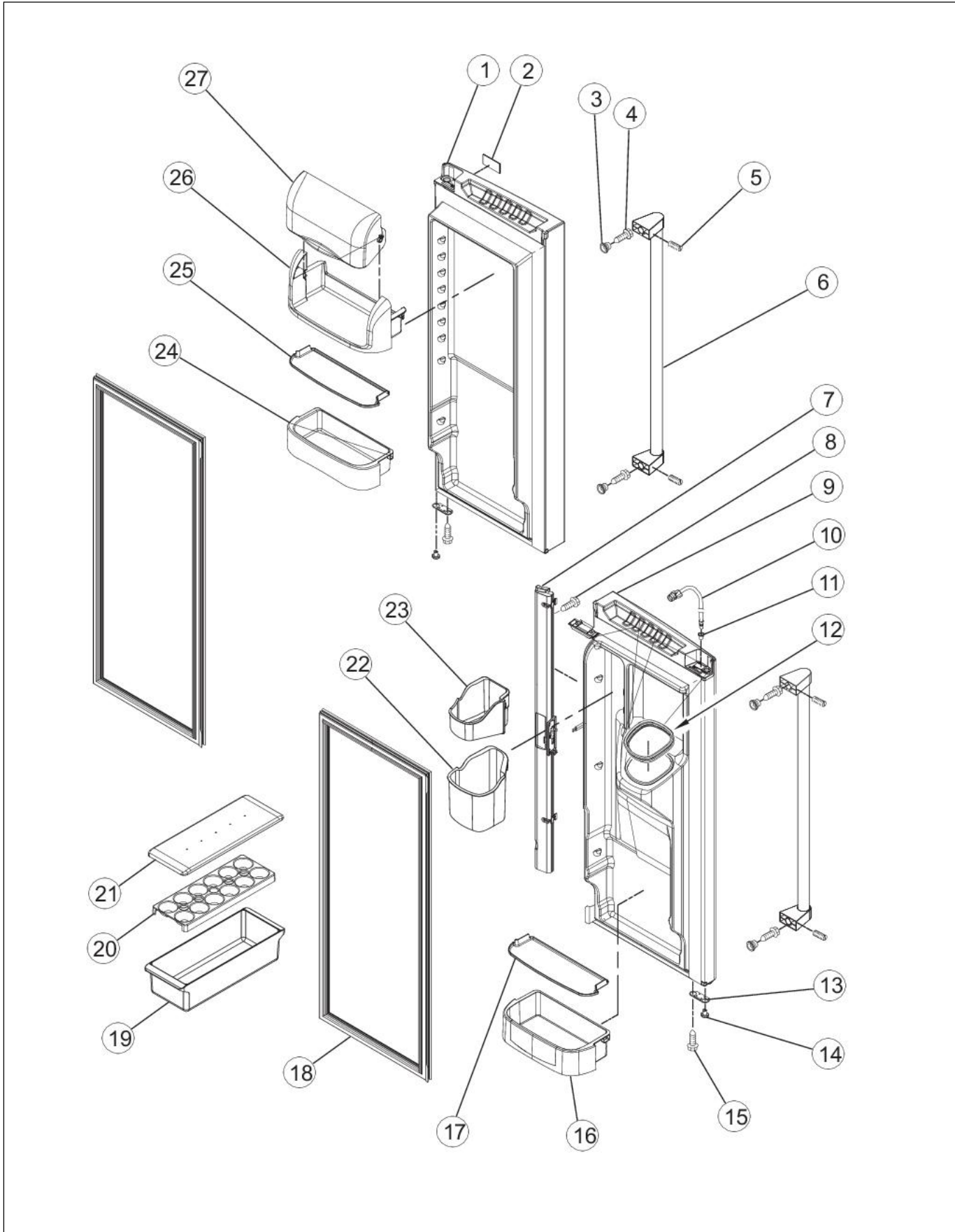
Item	Part No.	Name	Qty	Uom	NOTES
1	022029-000	INSERT, FILL CUP	1	EA	
2	011581-000	CUP. FILL	1	EA	
3	011579-000	SCREW	3	EA	
4	011580-000	MOLD & HEATER ASSEMBLY	1	EA	
5	011583-000	ICE STRIPPER	1	EA	Not available online / Call for pricing and availability
6	PR120059	CLIP, FUSE	1	EA	NO LONGER AVAILABLE
7	021387-000	THERMOSTAST	1	EA	
8	PS400129	SCREW, SMALL (67006425)	3	EA	
9	022027-000	IMPINGER ASSY	1	EA	
10	022024-000	EXTENSION, SHUTOFF ARM	1	EA	
11	022023-000	ARM, SHUTOFF	1	EA	
12	011587-000	SCREW	2	EA	
13	021830-000	MODULE ASSEMBLY - NLA	1	EA	
14	011579-000	SCREW	3	EA	
15	022026-000	SWITCH, ON-OFF	1	EA	
16	022025-000	COVER, ICE MAKER	1	EA	
17	011584-000	SUPPORT, HOUSING	1	EA	
18	011585-000	RETAINER, THERMOSTAT	1	EA	
19	022028-000	HARNESS, ICE MAKER	1	EA	
20	011582-000	ICE EJECTOR	1	EA	
NI	022030-000	ICEMAKER ASSY	1	EA	

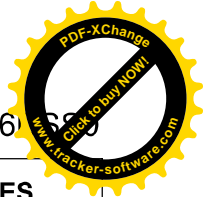




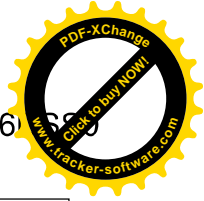
Item	Part No.	Name	Qty	Uom	NOTES
1	022036-000	GROMMET, FAN MOTOR	1	EA	
2	022037-000	CLIP, FAN MOTOR	1	EA	
3	022038-000	MOTOR, FAN	1	EA	
4	022039-000	SCROLL, BLOWER	1	EA	
5	022040-000	WHEEL, BLOWER	1	EA	
6	022041-000	INLET, BLOWER	1	EA	
7	022042-000	MOTOR, AUGER	1	EA	
8	022043-000	GASKET, DAMPER	1	EA	
9	022044-000	BRACKET, SOLENOID	1	EA	
10	022045-000	SOLENOID	1	EA	
11	022046-000	WASHER	1	EA	
12	022047-000	ICE BIN ASSEMBLY	1	EA	
13	022048-000	YOKE, ICE DISPENSER	1	EA	
14	021716-000	SCREW	1	EA	
15	022049-000	DIVIDER, ICE BOX	1	EA	
16	022050-000	LINER, DIVIDER	1	EA	
17	022051-000	FOIL, ICE BOX	1	EA	
18	022052-000	YOKE, SOLENOID	1	EA	
19	022053-000	SPRING, SOLENOID	1	EA	
20	010605-000	DAMPER, CONTROL	1	EA	

DOOR

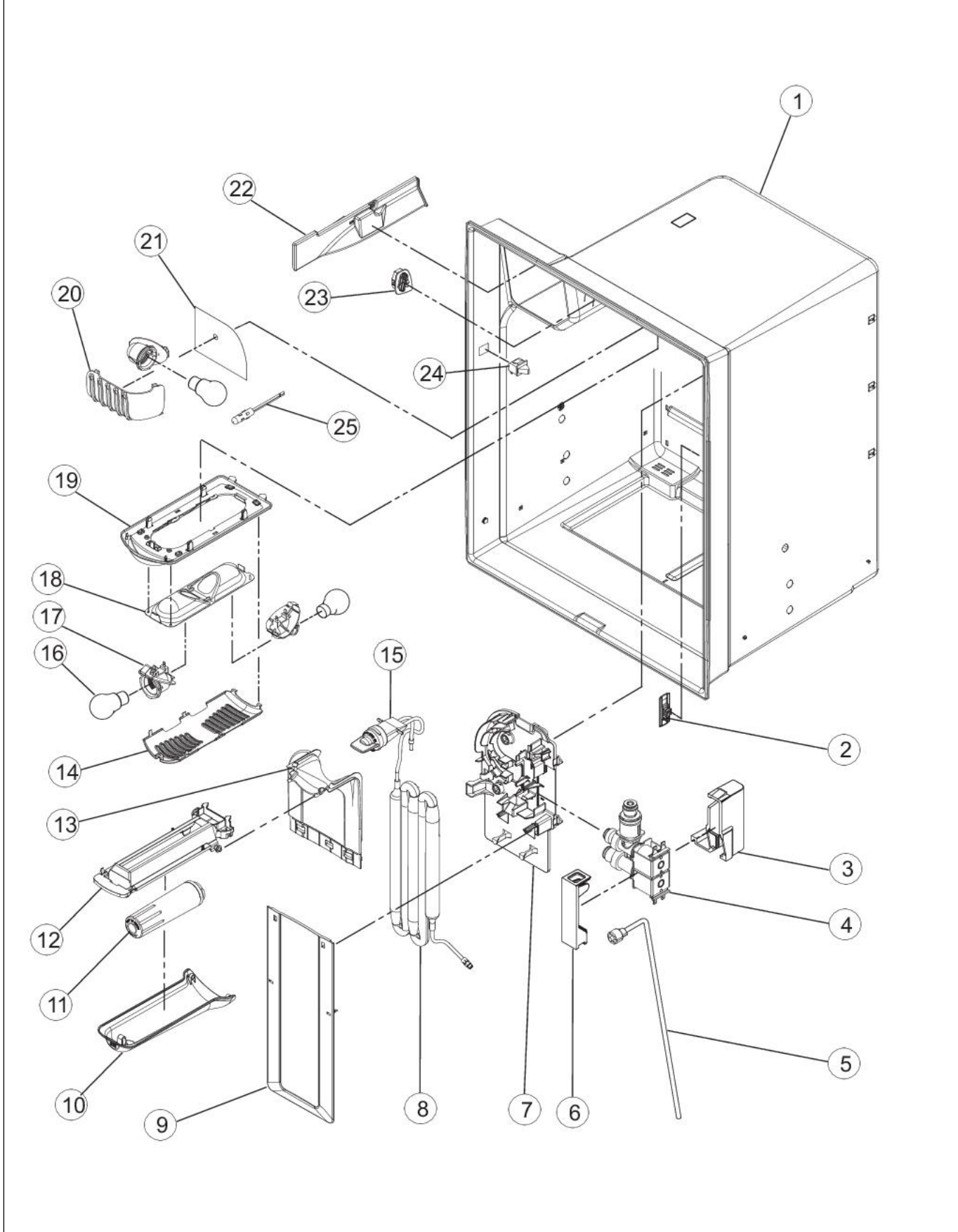


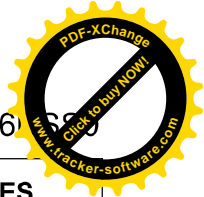


Item	Part No.	Name	Qty	Uom	NOTES
1	021997-000	DOOR, RIGHT, STAINLESS	1	EA	
2	021569-000	NAMEPLATE (CONTACT VIKING)	1	EA	
3	021567-000	STUD, HANDLE	4	EA	
4	021918-000	SCREW	4	EA	
5	021986-000	SCREW, SET	4	EA	
6	021610-000	HANDLE, STAINLESS STEEL	2	EA	
7	021992-000	MULLION, DOOR, APOLLO GREY	1	EA	
8	021708-000	SCREW	1	EA	
9	021985-000	DOOR, LEFT, STAINLESS	1	EA	
10	021989-000	WATERLINE, DOOR	1	EA	
11	021996-000	CLIP, BUSHING WIRE	1	EA	
12	021991-000	SEAL, ICE CUBE	1	EA	
13	021994-000	STOP, DOOR, APOLLO GREY	2	EA	
14	021860-000	CLOSURE, DOOR, APOLLO GREY	2	EA	
15	021724-000	SCREW	2	EA	
16	021990-000	BIN, SHELF (GAL-W/GRIPPER)	2	EA	
17	021998-000	GRIPPER, GALLON BUCKET	1	EA	
18	021988-000	GASKET, DOOR, APOLLO GREY	2	EA	
19	021746-000	BIN, UTILITY	1	EA	
20	017162-000	TRAY, EGG - NLA	1	EA	
21	021747-000	LID, UTILITY	1	EA	NO LONGER AVAILABLE
22	021995-000	BUCKET, DISPENSER (LOWER)	1	EA	
23	021993-000	BUCKET, DISPENSER (UPPER)	1	EA	
24	021987-000	BIN, SHELF (MED-W/GRIPPER)	3	EA	
25	021763-000	GRIPPER, MEDIUM BUCKET	1	EA	
26	021758-000	TRAY, DAIRY	1	EA	
27	021780-000	DOOR, DAIRY	1	EA	

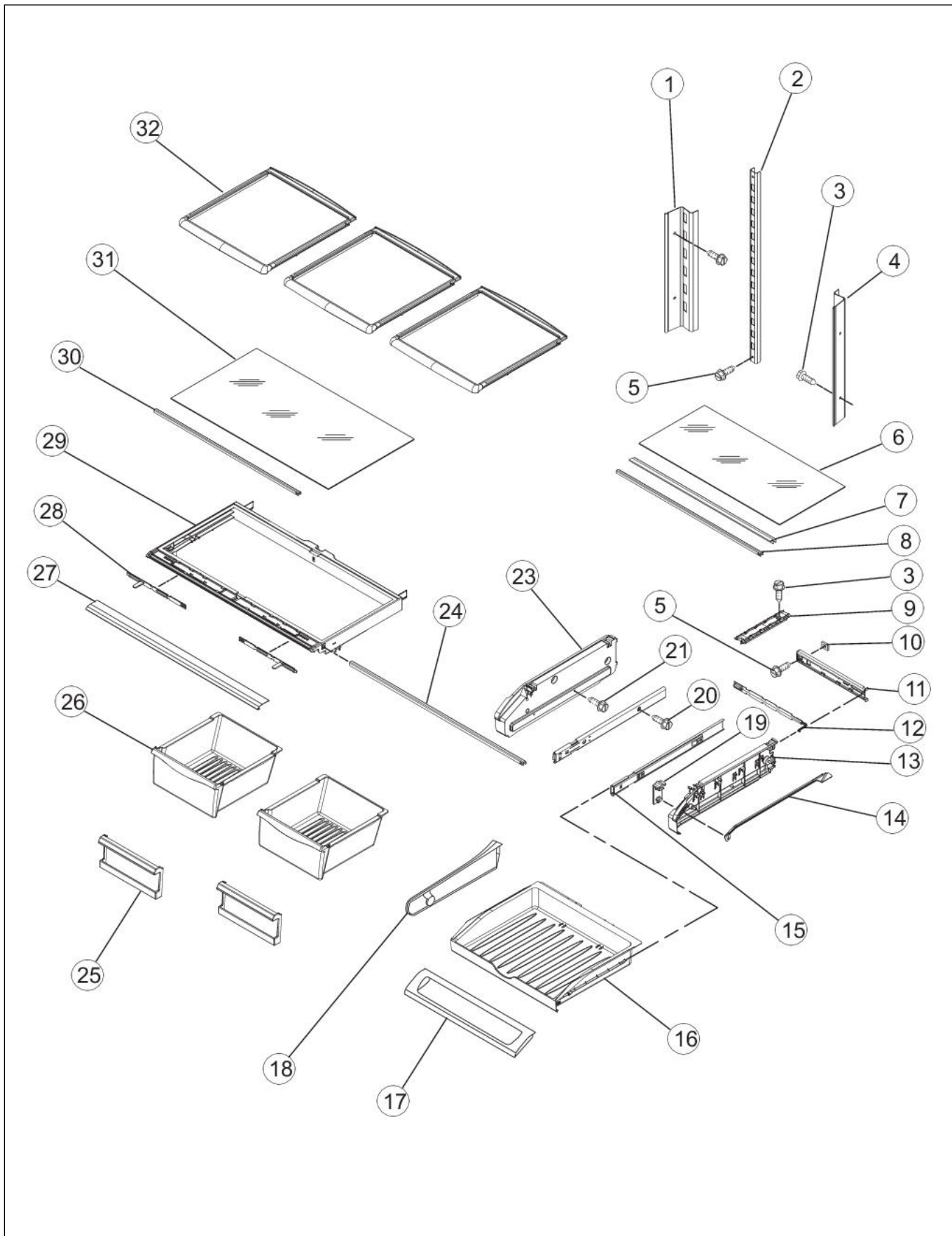


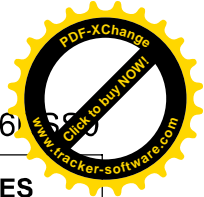
... LINER



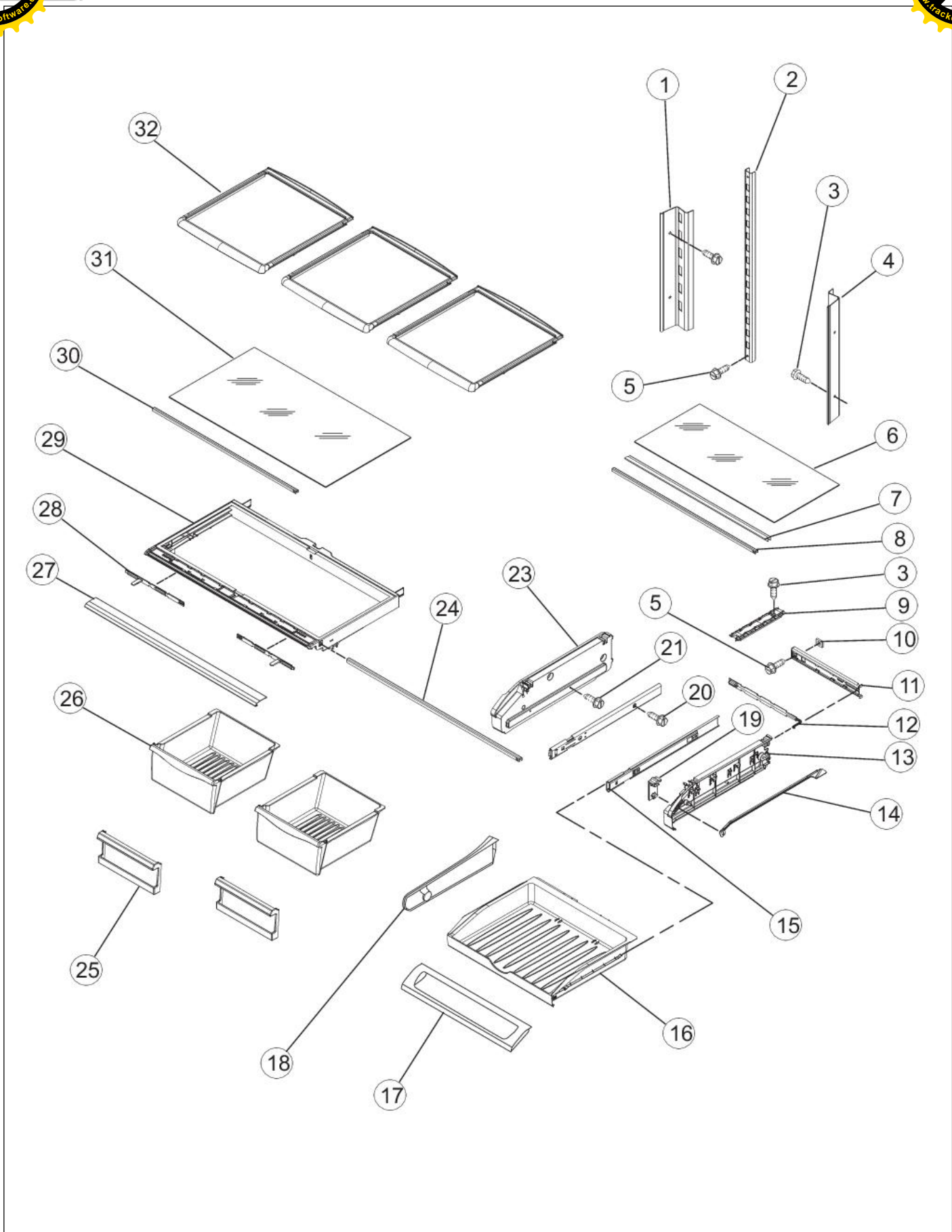


Item	Part No.	Name	Qty	Uom	NOTES
1	NON SERVICEABLE	REFRIGERATOR LINER	1	EA	
2	021966-000	COVER, CHILLER VENT	1	EA	
3	021968-000	ENCLOSURE, WATER VALVE CONNECTOR	1	EA	
4	021964-000	VALVE. WATER INLET	1	EA	
5	021967-000	WATERLINE, CABINET	1	EA	
6	021969-000	LID, ENCLOSURE	1	EA	
7	021961-000	BRACKET, WATER TANK AND VALVE	1	EA	Not available online / Call for pricing and availability
8	021962-000	WATER TANK AND HEAD ASSY	1	EA	
9	021959-000	COVER, WATER TANK (LOWER)	1	EA	
10	034462-000	COVER, FILTER	1	EA	
11	034463-000	FILTER, WATER	1	EA	
12	021960-000	BRACKET, FILTER BASE	1	EA	
13	021957-000	COVER, WATER TANK (UPPER)	1	EA	
14	021954-000	COVER, LIGHT	1	EA	
15	022157-000	PLUG, BYPASS	1	EA	
16	021955-000	BULB, LIGHT	3	EA	
17	PS400053	LIGHT SOCKET (12570701)	2	EA	
18	021781-000	LIGHT HOUSING	1	EA	
19	021950-000	MODULE, LIGHT	1	EA	
20	021952-000	COVER, LIGHT	1	EA	
21	021951-000	FOIL. LIGHT	1	EA	
22	021965-000	COVER, ICE BOX HARNESS	1	EA	
23	021953-000	GRILLE, AIR	1	EA	
24	PS400341	SWITCH, LIGHT	2	EA	
25	PS400063	THERMISTOR	1	EA	



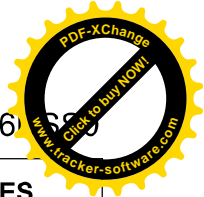


Item	Part No.	Name	Qty	Uom	NOTES
1	022020-000	LADDER, LH	1	EA	
2	022019-000	LADDER, CENTER	1	EA	
3	PS400129	SCREW, SMALL (67006425)	7	EA	
4	022018-000	LADDER, RH	1	EA	
5	021723-000	SCREW	3	EA	
6	021664-000	GLASS, PANTRY	1	EA	
7	021773-000	SUPPORT, PANTRY	2	EA	
8	021756-000	BRACE, PANTRY	2	EA	
9	021672-000	TRACK, PANTRY	1	EA	
10	021678-000	GASKET, PANTRY	1	EA	
11	021677-000	HOUSING, CONTROL	1	EA	
12	021676-000	SLIDE TEMPERATURE	4	EA	
13	PS400077	END CAP, RH PANTRY	1	EA	
14	021675-000	ROD, TEMP CONTROL	1	EA	
15	021912-000	GLIDE, DRAWER	2	EA	
16	022021-000	DRAWER, PANTRY	1	EA	
17	034508-000	DOOR, PANTRY DRAWER	1	EA	
18	021684-000	DIVIDER, PANTRY DRAWER	1	EA	
19	021771-000	KNOB, TEMP CONTROL	1	EA	
20	021711-000	SCREW	2	EA	
21	021717-000	SCREW	4	EA	
23	PS400076	END CAP, LH PANTRY	1	EA	
24	021756-000	BRACE, PANTRY	1	EA	
25	021778-000	FRONT, CRISPER PAN	2	EA	
26	021761-000	CRISPER PAN	2	EA	
<p>Comments for Part Num. 021761-000</p> <p>bradleysapplianceservice@shaw.ca on Apr 6, 2019</p> <p>SUBS TO: PS400071 CRISPER PAN (FRONT NOT INCLUDED)</p>					
27	021832-000	TRIM, CRISPER	1	EA	
28	021760-000	SLIDE, HUMIDITY CONTROL	2	EA	
29	021762-000	FRAME, CRISPER	1	EA	
30	021755-000	BRACE, CRISPER	1	EA	

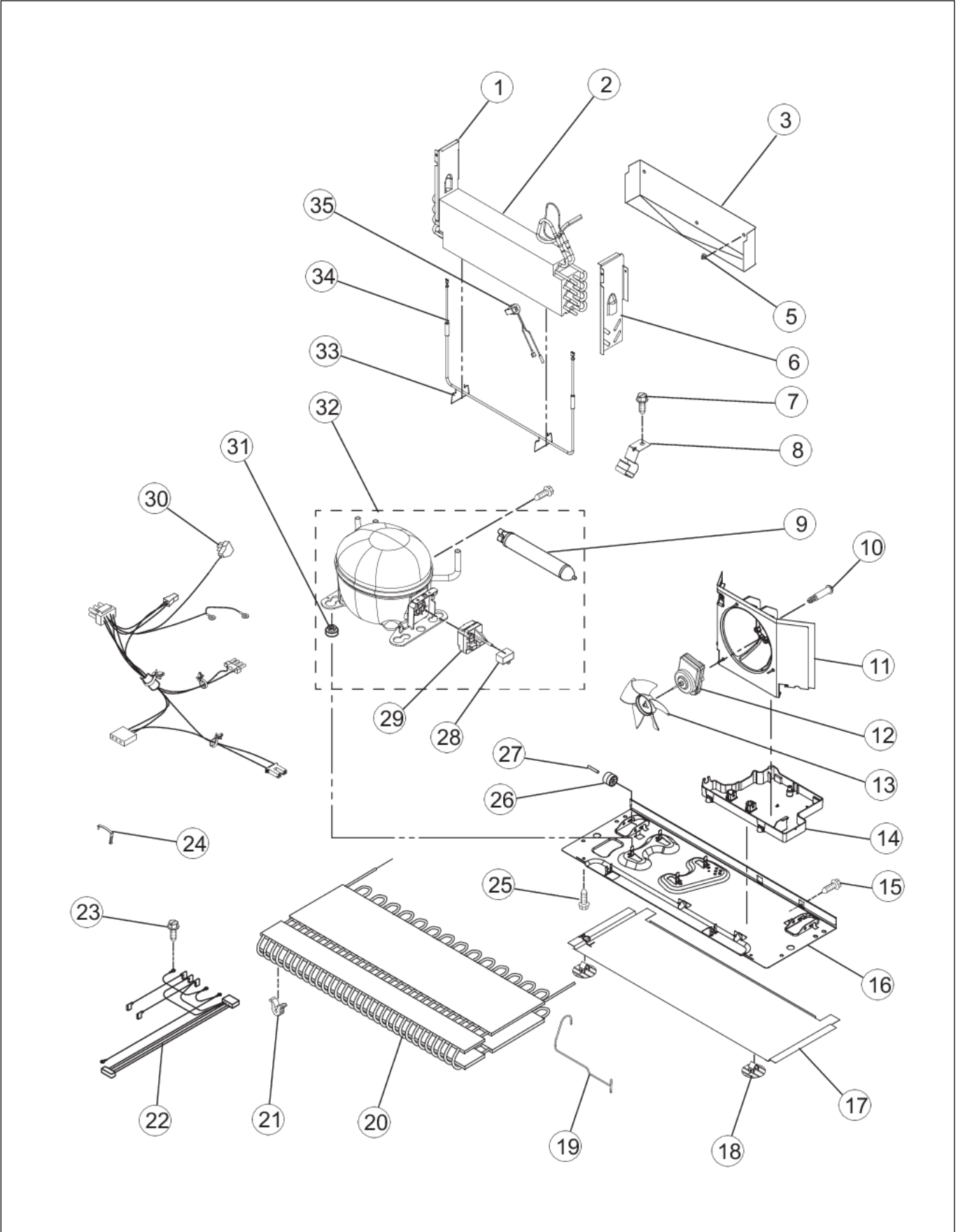


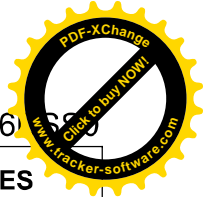
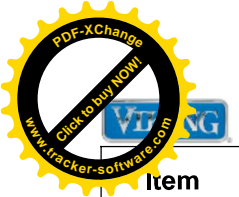


VCFF136

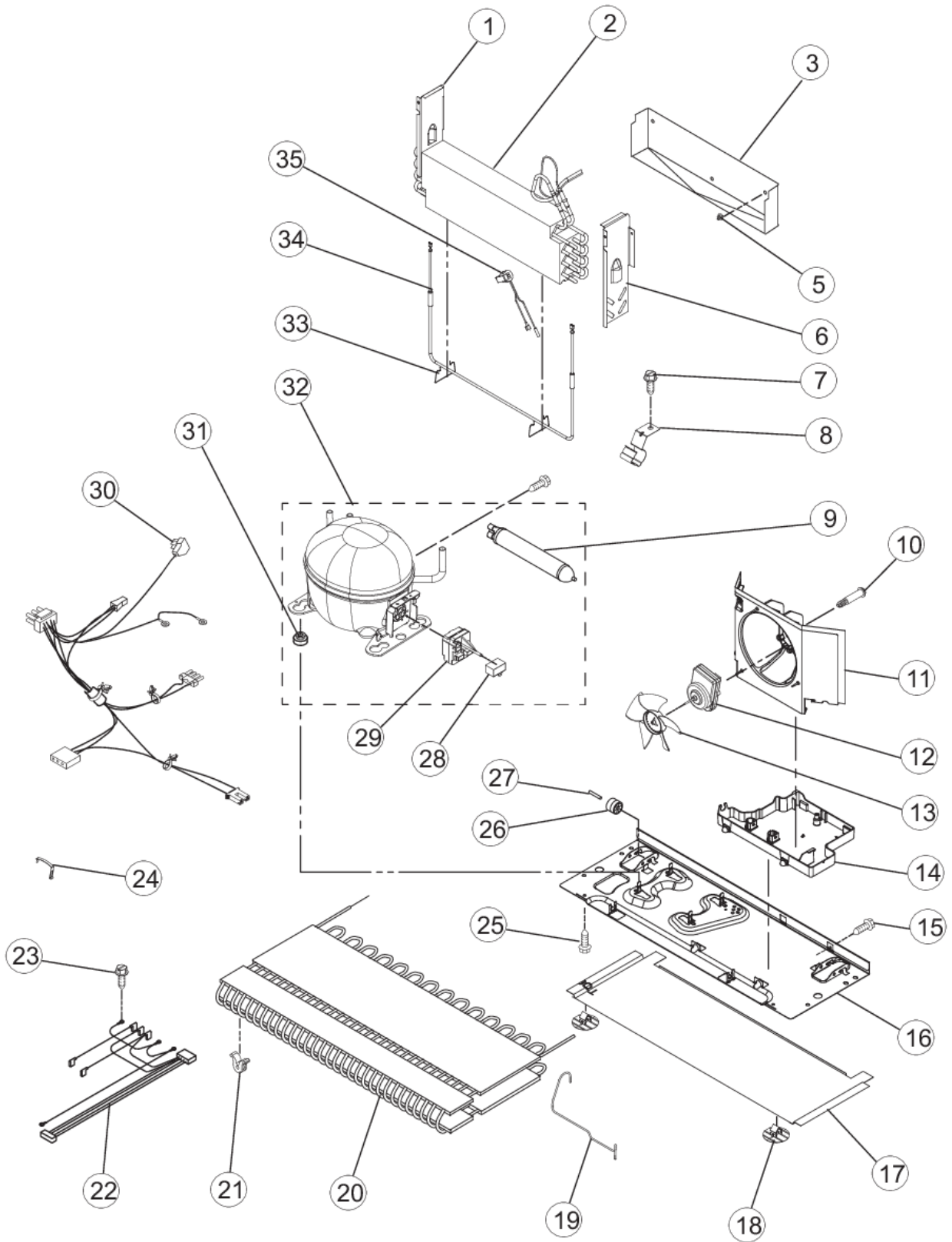


Item	Part No.	Name	Qty	Uom	NOTES
31	PS400067	GLASS, CRISPER (67006655)	1	EA	
32	022017-000	SHELF, GLIDE	3	EA	



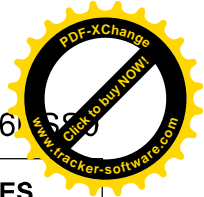


Item	Part No.	Name	Qty	Uom	NOTES
1	022014-000	DAM, LEFT SIDE	1	EA	
2	022013-000	EVAPORATOR KIT	1	EA	
3	021885-000	TRAY, DRIP	1	EA	
5	PS400124	CLIP, EVAPORATOR	1	EA	Not available online / Call for pricing and availability
6	022015-000	DAM, RIGHT SIDE	1	EA	
7	021726-000	SCREW	1	EA	
8	011556-000	CLIP, DRIER	1	EA	
9	021799-000	DRIER	1	EA	
10	021824-000	SCREW, SHOULDER	1	EA	
11	021810-000	SHROUD	1	EA	
12	021893-000	MOTOR, FAN	1	EA	
13	021699-000	BLADE, FAN	1	EA	
14	021853-000	PAN, DRAIN	1	EA	
15	PS400129	SCREW, SMALL (67006425)	1	EA	
16	021821-000	BASEPAN	1	EA	
17	021817-000	EXTENSION - BASEPAN	1	EA	
18	021818-000	FASTENER - BASEPAN	1	EA	
19	021827-000	TUBE, DISCHARGE	1	EA	
20	021798-000	CONDENSER	1	EA	
21	021551-000	GROMMET, CONDENSER	4	EA	
22	022010-000	HARNESS, EVAP. HEATER	1	EA	
23	021731-000	SCREW	1	EA	
24	021815-000	STRAP - BALE	1	EA	
25	021904-000	SCREW	4	EA	
26	021670-000	ROLLER	2	EA	
27	021671-000	AXLE, ROLLER	2	EA	
28	021661-000	CAPACITOR	1	EA	
29	021814-000	START DEVICE	1	EA	
30	022016-000	HARNESS, UNIT W/ POWER CORD	1	EA	
31	021750-000	GROMMET	4	EA	
32	021797-000	COMPRESSOR KIT	1	EA	

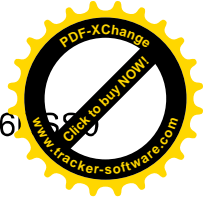
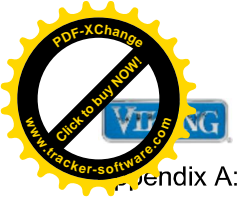




VCFF136

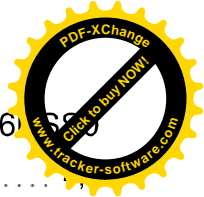
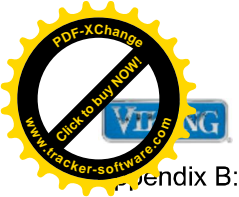


Item	Part No.	Name	Qty	Uom	NOTES
33	011548-000	CLIP, HEATER - SUBS TO 10428101	1	EA	
34	022011-000	HEATER, DEFROST	1	EA	
35	022012-000	THERMOSTAT	1	EA	



Appendix A:Pages Index

CABINET	1
DISP	2
FZ DOOR	3
FZ LINER	4
ICE MAKER	5
MOTOR	6
REF DOOR	7
REF LINER	8
SHELF	9
UNIT	10



Appendix B: Parts Index

010605-000	6	021711-000	6
011488-000	1	021716-000	6
011497-000	4	021717-000	9
011500-000	3, 4	021723-000	9
011501-000	3, 4	021724-000	4, 7
011548-000	10	021726-000	10
011556-000	10	021727-000	1
011579-000	5, 5	021728-000	1
011580-000	5	021730-000	1
011581-000	5	021731-000	10
011582-000	5	021733-000	1
011583-000	5	021734-000	1
011584-000	5	021737-000	4
011585-000	5	021746-000	7
011587-000	5	021747-000	7
017162-000	7	021750-000	10
021387-000	5	021755-000	9
021403-000	1	021756-000	9, 9
021551-000	10	021758-000	7
021567-000	3, 7	021759-000	4
021569-000	7	021760-000	9
021610-000	3, 7	021761-000	9
021661-000	10	021762-000	9
021664-000	9	021763-000	7
021670-000	10	021771-000	9
021671-000	10	021773-000	9
021672-000	9	021778-000	9
021675-000	9	021780-000	7
021676-000	9	021781-000	8
021677-000	9	021790-000	1
021678-000	9	021797-000	10
021679-000	1	021798-000	10
021684-000	9	021799-000	10
021696-000	4	021810-000	10
021697-000	1	021814-000	10
021699-000	10	021815-000	10
021706-000	1	021817-000	10
021707-000	1	021818-000	10
021708-000	7	021821-000	10
021710-000	4	021824-000	10
		021827-000	10



030-000	5	021969-000	
021832-000	9	021970-000	1, 4
021847-000	1	021971-000	4
021848-000	1	021973-000	4
021853-000	10	021974-000	4
021860-000	7	021975-000	4
021885-000	10	021976-000	4
021893-000	10	021977-000	4
021904-000	10	021978-000	4
021912-000	9	021979-000	4
021917-000	4	021980-000	4
021918-000	3, 7	021981-000	4
021936-000	1	021982-000	4
021937-000	1	021983-000	4
021938-000	1	021984-000	4
021940-000	1	021985-000	7
021941-000	1	021986-000	7
021942-000	1	021987-000	7
021943-000	1	021988-000	7
021944-000	1	021989-000	7
021945-000	1	021990-000	7
021946-000	1	021991-000	7
021947-000	1	021992-000	7
021948-000	1	021993-000	7
021949-000	1	021994-000	7
021950-000	8	021995-000	7
021951-000	8	021996-000	7
021952-000	8	021997-000	7
021953-000	8	021998-000	7
021954-000	8	021999-000	3
021955-000	8	022001-000	3
021957-000	8	022002-000	3
021959-000	8	022003-000	3
021960-000	8	022004-000	3
021961-000	8	022005-000	3
021962-000	8	022006-000	3
021964-000	8	022007-000	3
021965-000	8	022008-000	3
021966-000	8	022009-000	3
021967-000	8	022010-000	10
021968-000	8	022011-000	10



022012-000	10	022518-000	2
022013-000	10	022519-000	2
022014-000	10	028580-000	1
022015-000	10	034462-000	8
022016-000	10	034463-000	8
022017-000	9	034508-000	9
022018-000	9	038446-000	3
022019-000	9	067059-000	2
022020-000	9	PR120059	5
022021-000	9	PS400053	8
022023-000	5	PS400063	4, 8
022024-000	5	PS400067	9
022025-000	5	PS400076	9
022026-000	5	PS400077	9
022027-000	5	PS400090	4
022028-000	5	PS400091	4, 4
022029-000	5	PS400092	4
022030-000	5	PS400103	1
022033-000	2	PS400124	10
022034-000	2	PS400129	1, 2, 4, 5, 9, 10
022036-000	6	PS400182	1
022037-000	6	PS400267	2
022038-000	6	PS400341	8
022039-000	6		
022040-000	6		
022041-000	6		
022042-000	6		
022043-000	6		
022044-000	6		
022045-000	6		
022046-000	6		
022047-000	6		
022048-000	6		
022049-000	6		
022050-000	6		
022051-000	6		
022052-000	6		
022053-000	6		
022157-000	8		
022514-000	2		
022515-000	2		