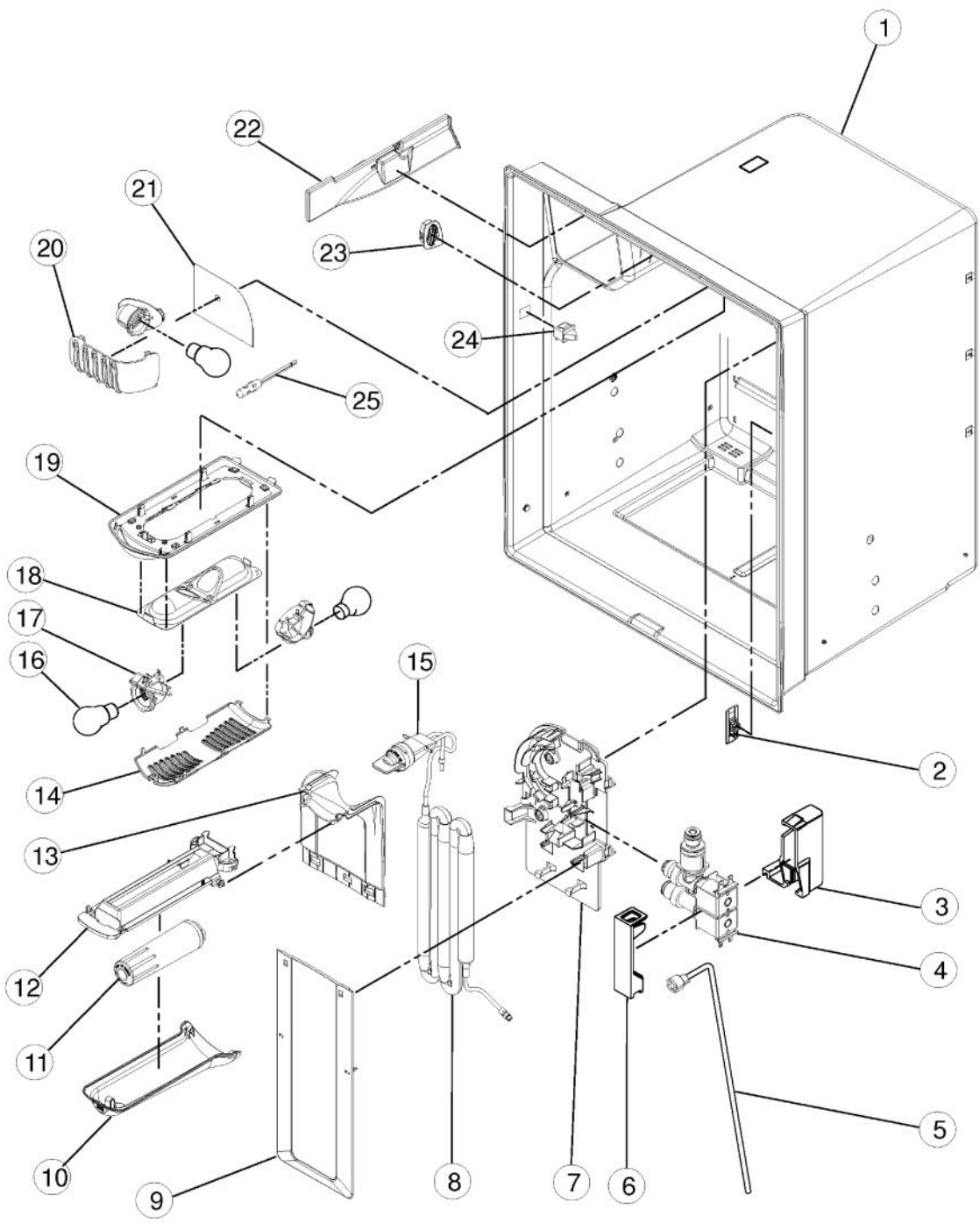
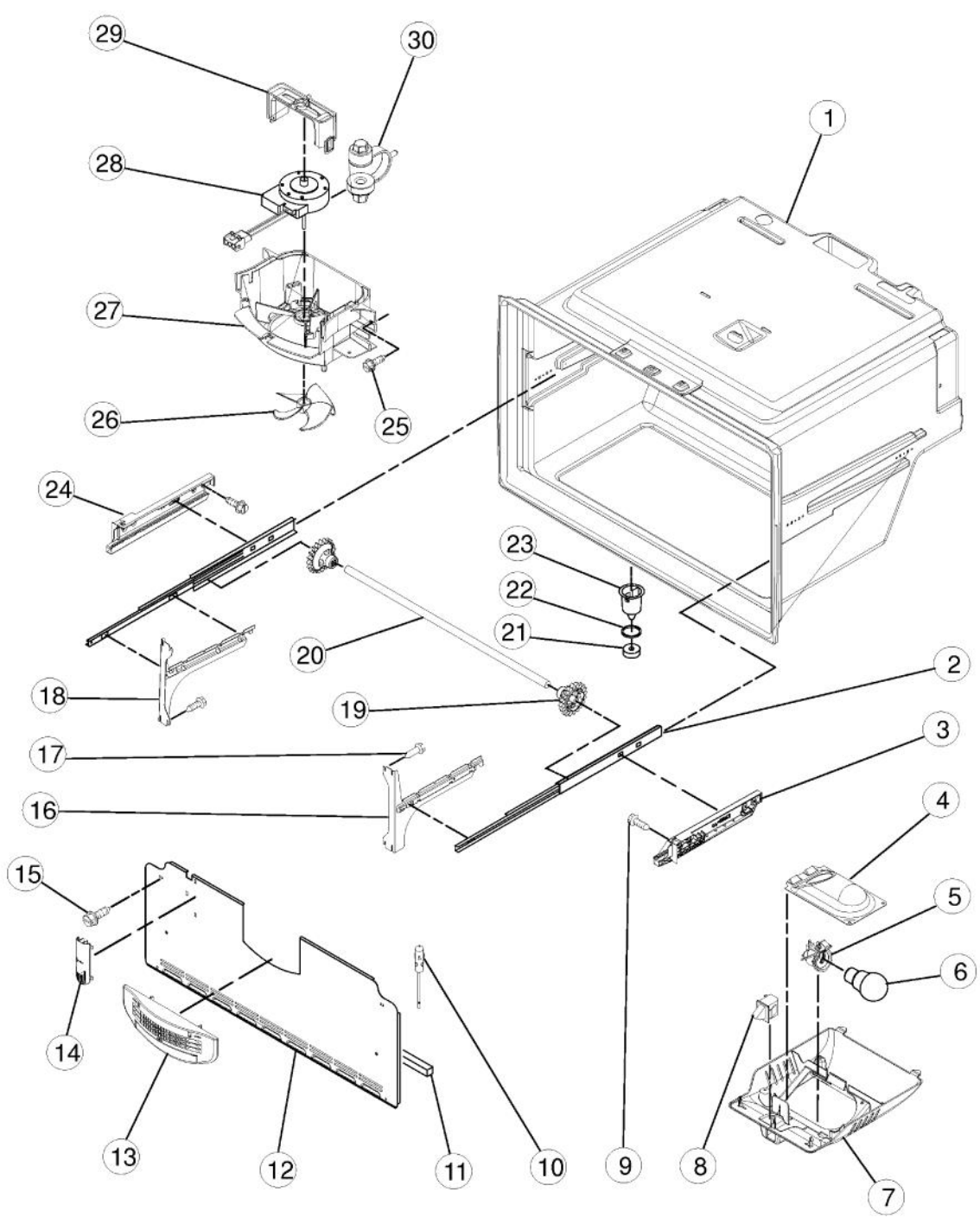


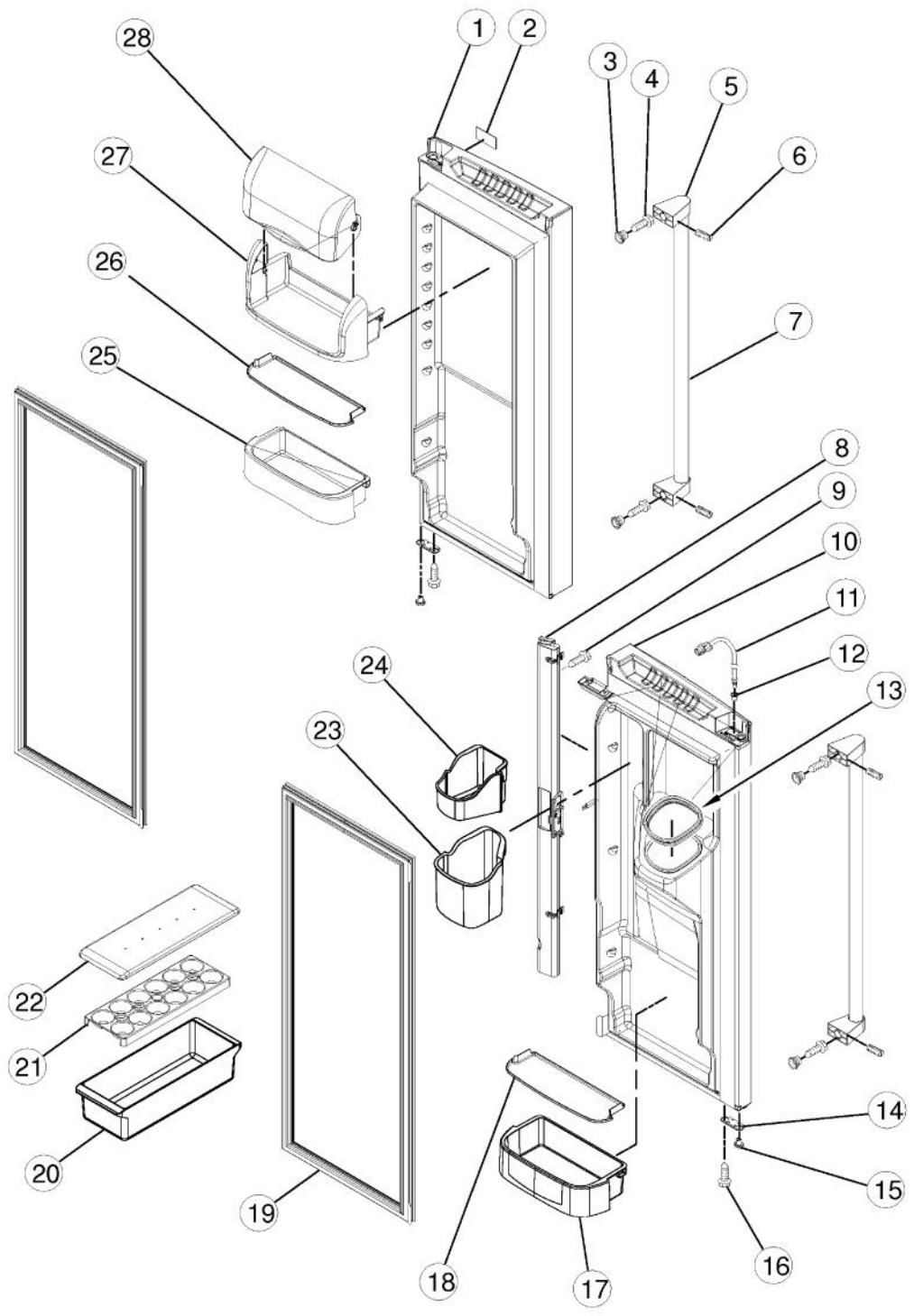
Ref #	Part Number	Qty.	Description
1	NON SERVICEABLE	1	CABINET
2	021734-000	1	SCREW
3	021936-000	1	COVER, RIGHT HINGE, APOLLO GREY
4	021733-000	6	SCREW
5	021937-000	1	HINGE, TOP RIGHT
6	021938-000	2	SHIM, TOP HINGE, LEFT
7	021727-000	2	SCREW
8	021707-000	1	COVER, CONTROL BOX
9	021706-000	1	GASKET, HV CONTROL
10	021940-000	1	LID, HV CONTROL
11	022641-000	1	BOARD, HV CONTROL
12	021942-000	1	BOX, HV CONTROL
13	021714-000	10	SCREW
14	021794-000	1	CLAMP, TUBE
15	021943-000	1	COVER, MC BACK
16	021697-000	1	FIBER, ACOUSTIC
19	021790-000	1	GASKET, MC BACK
20	021822-000	1	TUBE, DRAIN
21	021847-000	1	ROLLER ASSY., FRONT RIGHT
22	011488-000	1	BRAKE, FOOT
23	PS400103	1	TOE GRILLE (BLACK)
24	021728-000	8	SCREW
25	021848-000	1	ROLLER ASSY., FRONT LEFT
26	021730-000	1	SCREW
27	021945-000	1	HINGE, CENTER, APOLLO GREY
28	021946-000	1	SCREW
29	021679-000	1	BLOCK, PIVOT
30	022642-000	1	CONNECTOR-WATER
31	021403-000	2	COVER, CORNER, APOLLO GREY
32	021947-000	1	HINGE, TOP LEFT
33	021948-000	1	COVER, LEFT HINGE, APOLLO GREY
34	021949-000	1	COVER, FILL TUBE, APOLLO GREY
35	021970-000	1	TUBE W/WATERLINE, FILL-IM



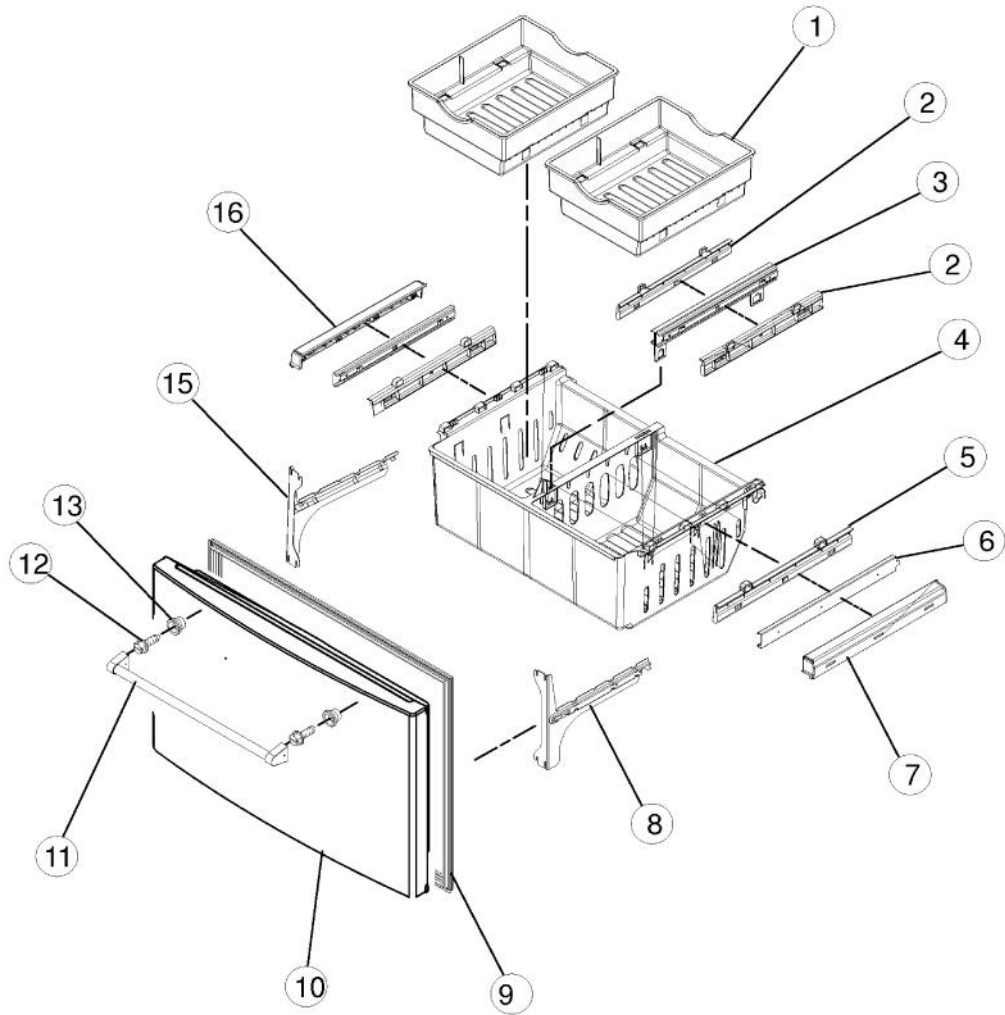
Ref #	Part Number	Qty.	Description
1	NON SERVICEABLE	1	CABINET
2	021966-000	1	COVER, CHILLER VENT
3	021968-000	1	ENCLOSURE, WATER VALVE CONNECTOR
4	022643-000	1	VALVE, WATER INLET
5	021967-000	1	WATERLINE, CABINET
6	021969-000	1	LID, ENCLOSURE
7	021961-000	1	BRACKET, WATER TANK AND VALVE
8	022644-000	1	WATER TANK AND HEAD ASSY
9	021959-000	1	COVER, WATER TANK (LOWER)
10	021958-000	1	LID, WATER FILTER
11	021796-000	1	FILTER, WATER
12	021960-000	1	BRACKET, FILTER BASE
13	021957-000	1	COVER, WATER TANK (UPPER)
14	021954-000	1	COVER, LIGHT
15	021963-000	1	PLUG, BYPASS
16	021955-000	3	BULB, LIGHT
17	022645-000	2	SOCKET, LIGHT
18	021781-000	1	LIGHT HOUSING
19	021950-000	1	MODULE, LIGHT
20	021952-000	1	COVER, LIGHT
21	021951-000	1	FOIL, LIGHT
22	021965-000	1	COVER, ICE BOX HARNESS
23	021953-000	1	GRILLE, AIR
24	PS400341	2	SWITCH, LIGHT
25	PS400063	1	THERMISTOR



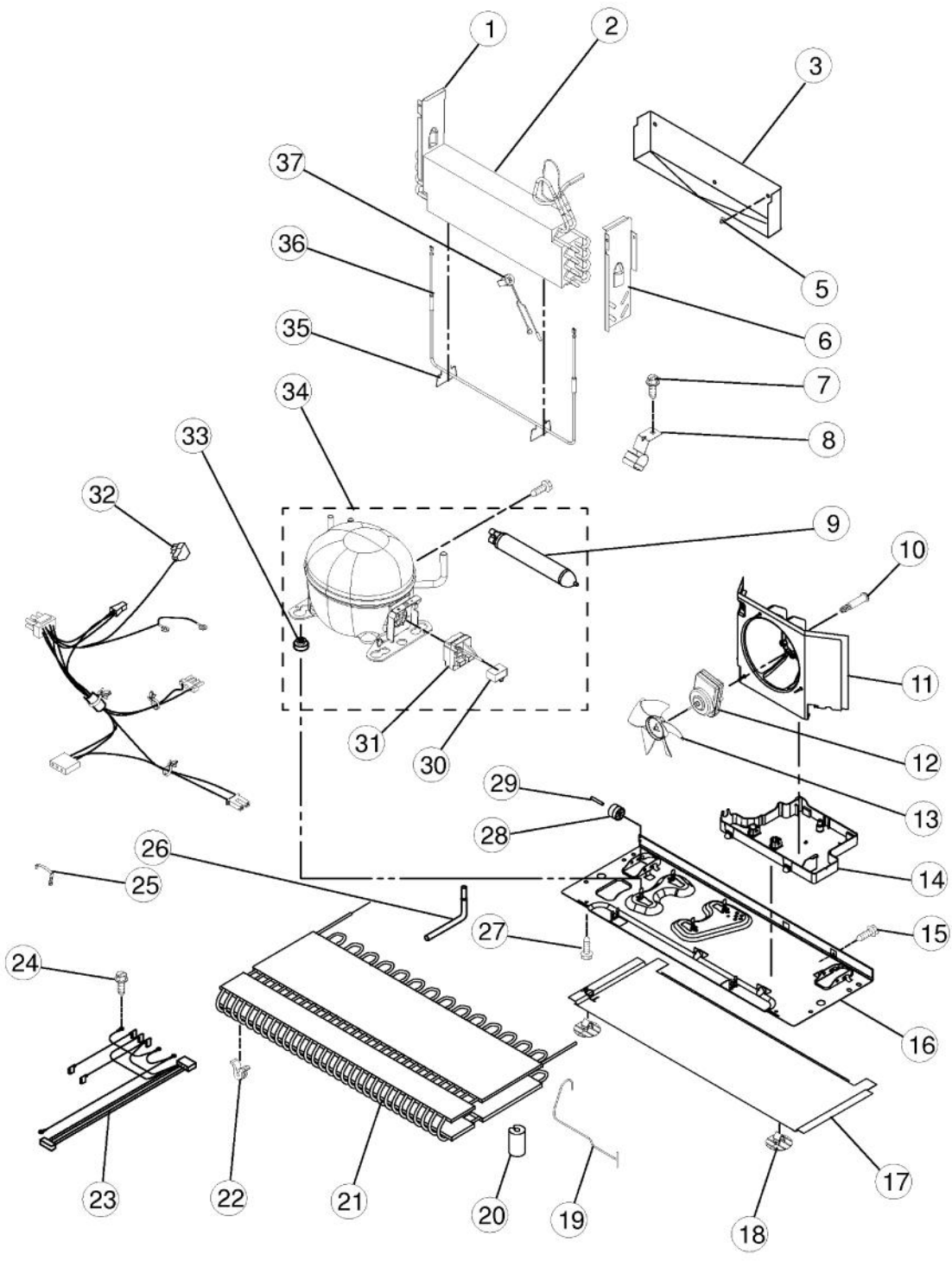
Ref #	Part Number	Qty.	Description
1	PS400091	1	SEAL, O-RING
2	021737-000	2	SLIDE, DRAWER
3	021979-000	1	ADAPTER, RIGHT
4	021934-000	1	FOIL-FZ LIGHT
5	021970-000	1	TUBE W/WATERLINE, FILL-IM
6	021955-000	1	BULB, LIGHT
7	022646-000	1	MODULE, FREEZER LIGHT
8	021976-000	1	SWITCH, ROCKER
9	021710-000	6	SCREW
10	PS400063	1	THERMISTOR
11	021788-000	1	GASKET, FOAM
12	021973-000	1	COVER, EVAPORATOR
13	021980-000	1	GRILLE, FZ AIR
14	021696-000	1	COVER, THERMISTOR
15	021714-000	4	SCREW
16	011501-000	1	BRACKET, DOOR, RIGHT
17	021724-000	1	SCREW
18	011500-000	1	BRACKET, DOOR, LEFT
19	011497-000	1	GEAR, LT/RT
20	021917-000	1	SHAFT, RACK
21	PS400090	1	GASKET, DRAIN TUBE
22	PS400091	1	SEAL, O-RING
23	PS400092	1	FUNNEL, DRAIN
24	021978-000	1	ADAPTER, LEFT
25	021711-000	1	SCREW
26	021982-000	1	BLADE, FAN (EVAPORATOR)
27	021981-000	1	SHROUD, EVAP FAN
28	021984-000	1	MOTOR, EVAPORATOR
29	021975-000	1	CLIP, FAN MOTOR
30	021983-000	1	GROMMET



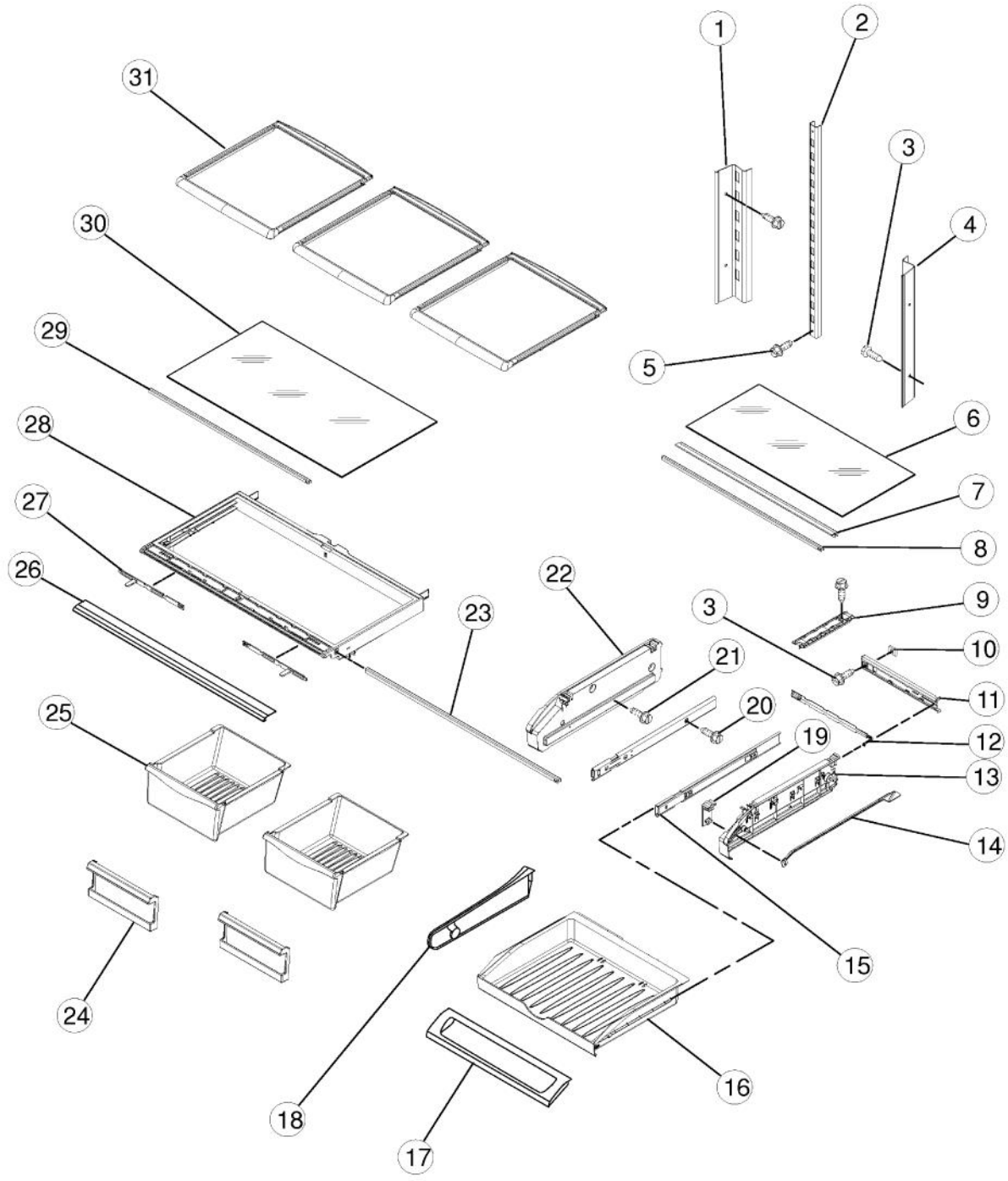
Ref #	Part Number	Qty.	Description
1	022647-000	1	DOOR, RIGHT, STAINLESS
2	021569-000	1	NAMEPLATE (CONTACT VIKING)
3	021918-000	4	SCREW
4	021708-000	1	SCREW
5	021567-000	4	STUD, HANDLE
6	021986-000	4	SCREW, SET
7	021610-000	2	HANDLE, STAINLESS STEEL
8	021992-000	1	MULLION, DOOR, APOLLO GREY
9	021708-000	1	SCREW
10	022648-000	1	DOOR, LEFT, STAINLESS
11	022649-000	1	WATERLINE, DOOR
12	021996-000	1	CLIP, BUSHING WIRE
13	022650-000	1	ASSY-ICE CHUTE
14	021994-000	2	STOP, DOOR, APOLLO GREY
15	021860-000	2	CLOSURE, DOOR, APOLLO GREY
16	021724-000	2	SCREW
17	022651-000	2	BIN, SHELF (GAL-W/GRIPPER)
18	021998-000	1	GRIPPER, GALLON BUCKET
19	021988-000	2	GASKET, DOOR, APOLLO GREY
20	021746-000	1	BIN, UTILITY
21	021748-000	1	TRAY, EGG
22	021747-000	1	LID, UTILITY
23	021995-000	1	BUCKET, DISPENSER (LOWER)
24	021993-000	1	BUCKET, DISPENSER (UPPER)
25	021987-000	3	BIN, SHELF (MED-W/GRIPPER)
26	021763-000	1	GRIPPER, MEDIUM BUCKET
27	021758-000	1	TRAY, DAIRY
28	021780-000	1	DOOR, DAIRY



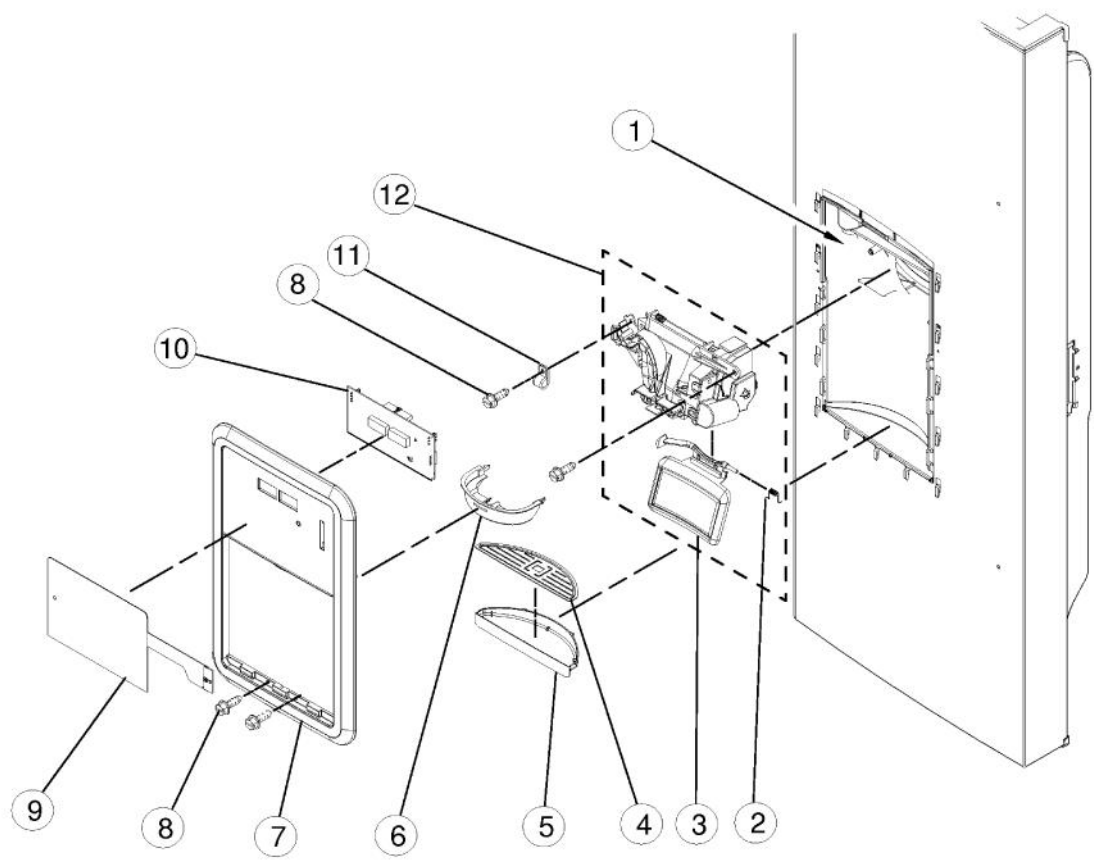
Ref #	Part Number	Qty.	Description
1	022003-000	2	BIN, UPPER
2	022004-000	2	ADAPTER, BIN (INNER)
3	022005-000	2	BRACKET/GLIDE ASSY
4	022001-000	1	BIN, LOWER
5	022002-000	2	ADAPTER, BIN (OUTER)
6	022006-000	2	GLIDE UPPER
7	022008-000	1	RETAINER, GLIDE (RIGHT)
8	011501-000	1	BRACKET, DOOR, RIGHT
9	022000-000	1	GASKET, FREEZER DOOR (APOLLO GREY)
10	022652-000	1	DOOR, FREEZER (SS)
11	021610-000	1	HANDLE, STAINLESS STEEL
12	021918-000	2	SCREW
13	021567-000	2	STUD, HANDLE
15	011500-000	1	BRACKET, DOOR, LEFT
16	022007-000	1	RETAINER, GLIDE (LEFT)



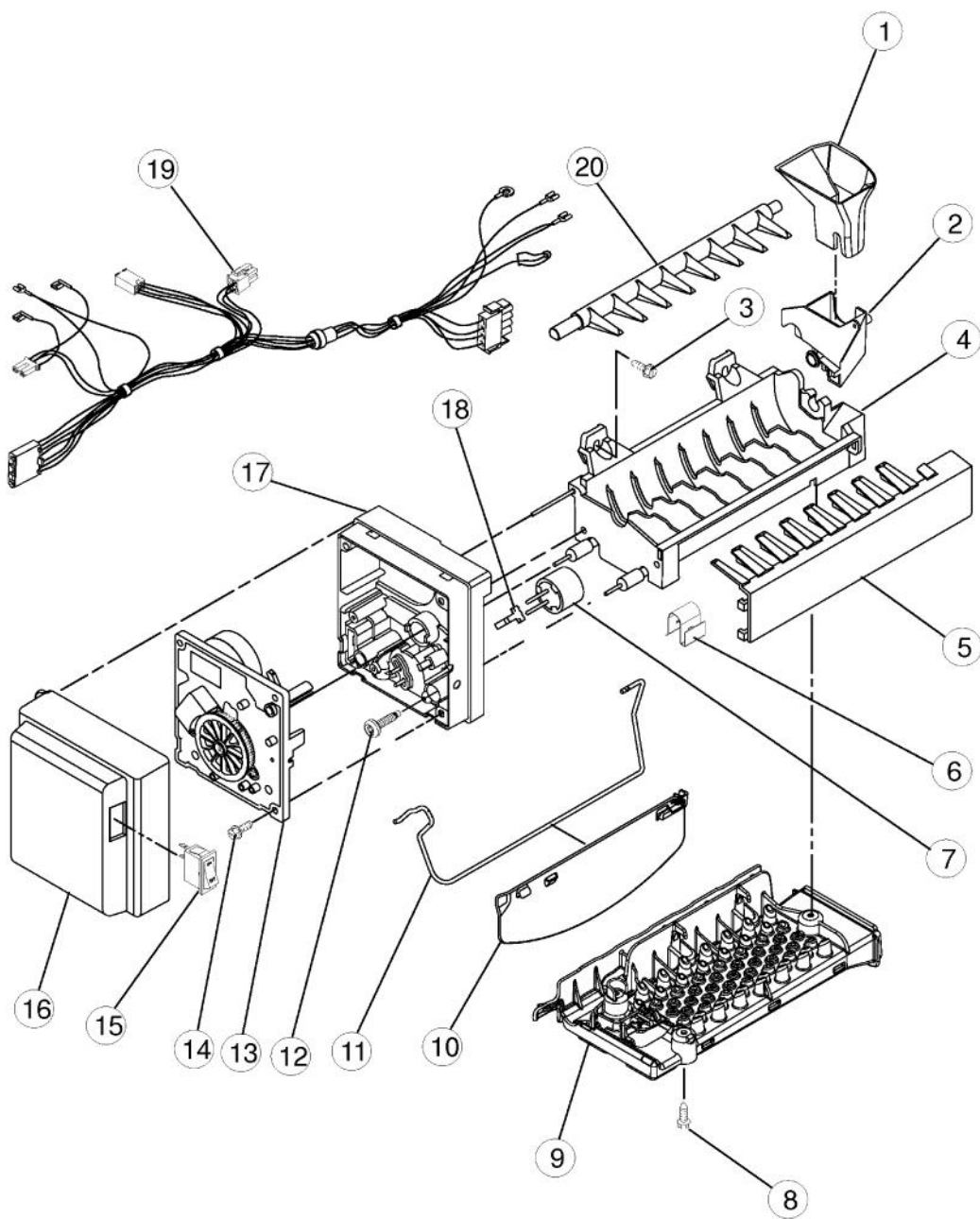
Ref #	Part Number	Qty.	Description
1	022014-000	1	DAM, LEFT SIDE
2	022724-000	1	EVAPORATOR KIT
3	021885-000	1	TRAY, DRIP
5	PS400124	1	CLIP, EVAPORATOR
6	022015-000	1	DAM, RIGHT SIDE
7	021726-000	1	SCREW
8	022725-000	1	CLIP, DRIER
9	021799-000	1	DRIER
10	021824-000	1	SCREW, SHOULDER
11	021810-000	1	SHROUD
12	021893-000	1	MOTOR, FAN
13	021699-000	1	BLADE, FAN
14	021853-000	1	PAN, DRAIN
15	021904-000	4	SCREW
16	021821-000	1	BASEPAN
17	021817-000	1	EXTENSION - BASEPAN
18	021818-000	2	FASTENER - BASEPAN
19	021827-000	1	TUBE, DISCHARGE
20	021551-000	2	GROMMET-COND.
21	021798-000	1	CONDENSER
22	011560-000	4	GROMMET, CONDENSER
23	022010-000	1	HARNES, EVAP. HEATER
24	021731-000	1	SCREW, GROUND
25	021815-000	1	STRAP - BALE
26	022653-000	1	TUBE-PROCESS
27	021714-000	1	SCREW
28	021670-000	2	ROLLER ASSY., REAR
29	021671-000	2	AXLE - ROLLER
30	021661-000	1	CAPACITOR
31	021814-000	1	START DEVICE
32	022016-000	1	HARNES, UNIT W/ POWER CORD
33	021750-000	4	GROMMET
34	021797-000	1	COMPRESSOR KIT
35	011548-000	1	CLIP, HEATER
36	022011-000	1	HEATER, DEFROST
37	022012-000	1	THERMOSTAT



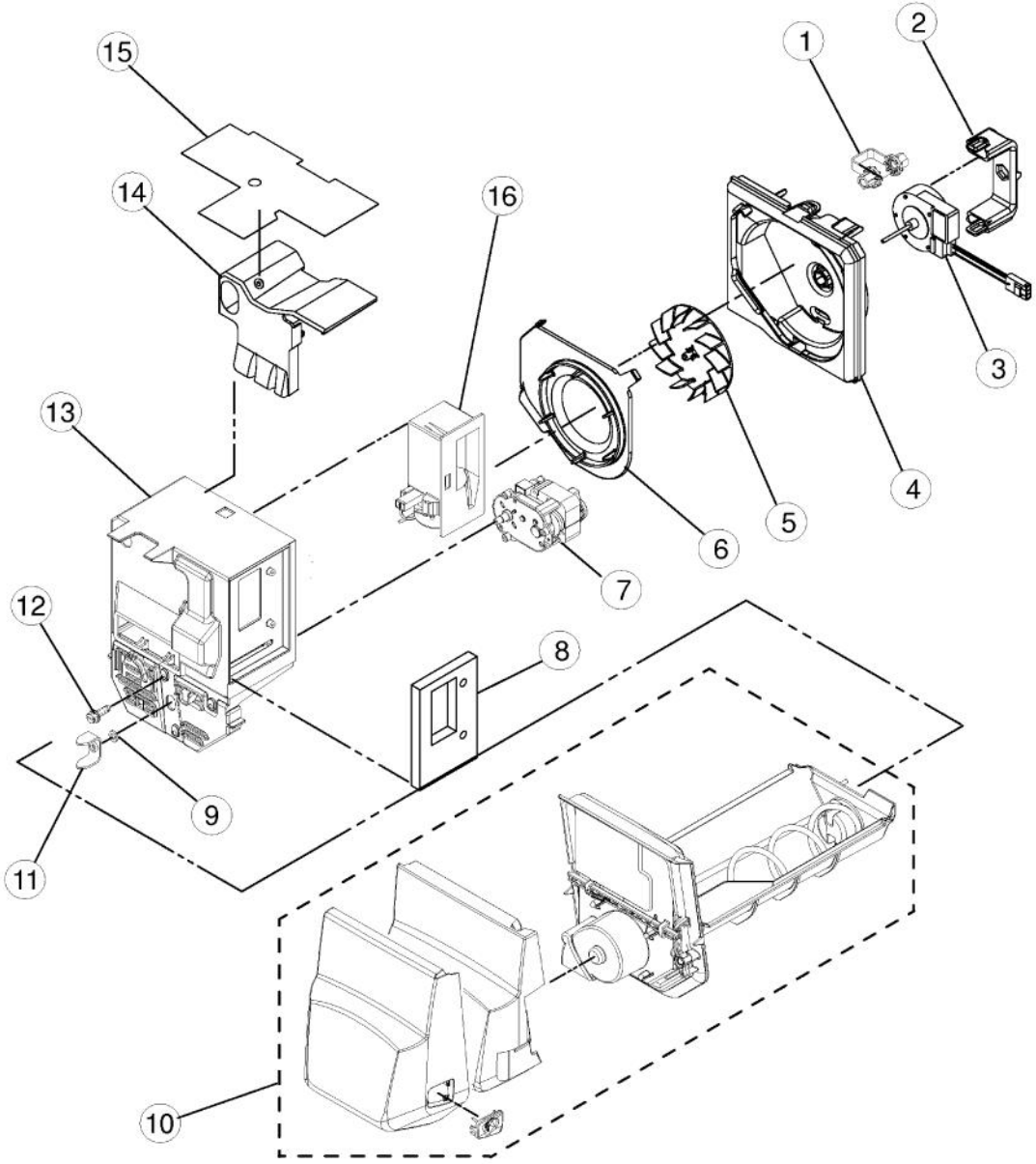
Ref #	Part Number	Qty.	Description
1	022020-000	1	LADDER, LH
2	022019-000	1	LADDER, CENTER
3	021719-000	7	SCREW
4	022018-000	1	LADDER, RH
5	021723-000	1	SCREW
6	021664-000	1	GLASS, PANTRY
7	021773-000	2	SUPPORT, PANTRY
8	021756-000	2	BRACE, PANTRY
9	021672-000	1	TRACK, PANTRY
10	021678-000	1	GASKET, PANTRY
11	021677-000	1	HOUSING, CONTROL
12	021676-000	4	SLIDE TEMPERATURE
13	PS400077	1	END CAP, RH PANTRY
14	021675-000	1	ROD, TEMP CONTROL
15	021912-000	2	GLIDE, DRAWER
16	022021-000	1	DRAWER, PANTRY
17	022022-000	1	DOOR, PANTRY DRAWER
18	021684-000	1	DIVIDER, PANTRY DRAWER
19	021771-000	1	KNOB, TEMP CONTROL
20	021711-000	2	SCREW
21	021717-000	4	SCREW
22	PS400076	1	END CAP, LH PANTRY
23	021756-000	1	BRACE, PANTRY
24	021778-000	1	FRONT, CRISPER PAN
25	021761-000	2	CRISPER PAN
26	021832-000	1	TRIM, CRISPER
27	021760-000	1	SLIDE, HUMIDITY CONTROL
28	021762-000	1	FRAME, CRISPER
29	021755-000	1	BRACE, CRISPER
30	021744-000	1	GLASS, CRISPER
31	022017-000	3	SHELF, GLIDE



Ref #	Part Number	Qty.	Description
1	NON SERVICEABLE	1	CABINET
2	PS400267	1	SPRING, CHUTE, DOOR (12565502)
3	022515-000	1	YOKE/PAD ASSY (MIDNIGHT GREY-DARK)
4	022517-000	1	GRILLE, SUMP
5	022654-000	1	SUMP, DISPENSER STAINLESS
6	022033-000	1	RING, TARGET
7	022655-000	1	FA?ADE, DISPENSER (APLLO GREY)
8	021719-000	4	SCREW
9	022520-000	1	DISPENSER KEYBOARD
10	022032-000	1	CONTROL ASSY (BLACK)
11	022034-000	1	CLAMP, TUBE
12	022514-000	1	CHUTE, EXT/YOKE, INCLUDES SWITCH (MIDNIGHT GREY- D...



Ref #	Part Number	Qty.	Description
1	022029-000	1	INSERT, FILL CUP
2	022656-000	1	CUP, FILL
3	022657-000	3	SCREW
4	022658-000	1	MOLD & HEATER ASSEMBLY
5	022659-000	1	ICE STRIPPER
6	PR120059	1	CLIP, FUSE
7	022660-000	1	THERMOSTAST
8	021714-000	3	SCREW
9	022661-000	1	IMPINGER ASSY
10	022024-000	1	EXTENSION, SHUTOFF ARM
11	022023-000	1	ARM, SHUTOFF
12	011587-000	2	SCREW
13	021386-000	1	MODULE ASSEMBLY (INCLUDES MOTOR AND SCREW)
14	022662-000	3	SCREW
15	022026-000	1	SWITCH, ON-OFF
16	022025-000	1	COVER, ICE MAKER
17	011584-000	1	SUPPORT, HOUSING
18	011585-000	1	RETAINER, THERMOSTAT
19	022663-000	1	HARNES, ICE MAKER
20	022664-000	1	ICE EJECTOR
NI	022665-000	1	ICEMAKER ASSY



Ref #	Part Number	Qty.	Description
1	022036-000	1	GROMMET, FAN MOTOR
2	022037-000	1	CLIP, FAN MOTOR
3	022038-000	1	MOTOR, FAN
4	022039-000	1	SCROLL, BLOWER
5	022040-000	1	WHEEL, BLOWER
6	022041-000	1	INLET, BLOWER
7	022042-000	1	MOTOR, AUGER
8	022043-000	1	GASKET, DAMPER
9	022046-000	1	WASHER
10	022666-000	1	ICE BIN ASSEMBLY (INCLUDES AUGER)
11	022048-000	1	YOKE, ICE DISPENSER
12	021714-000	1	SCREW
13	022667-000	1	DIVIDER, ICE BOX
14	022050-000	1	LINER, DIVIDER
15	022051-000	1	FOIL, ICE BOX
16	010605-000	1	DAMPER, CONTROL