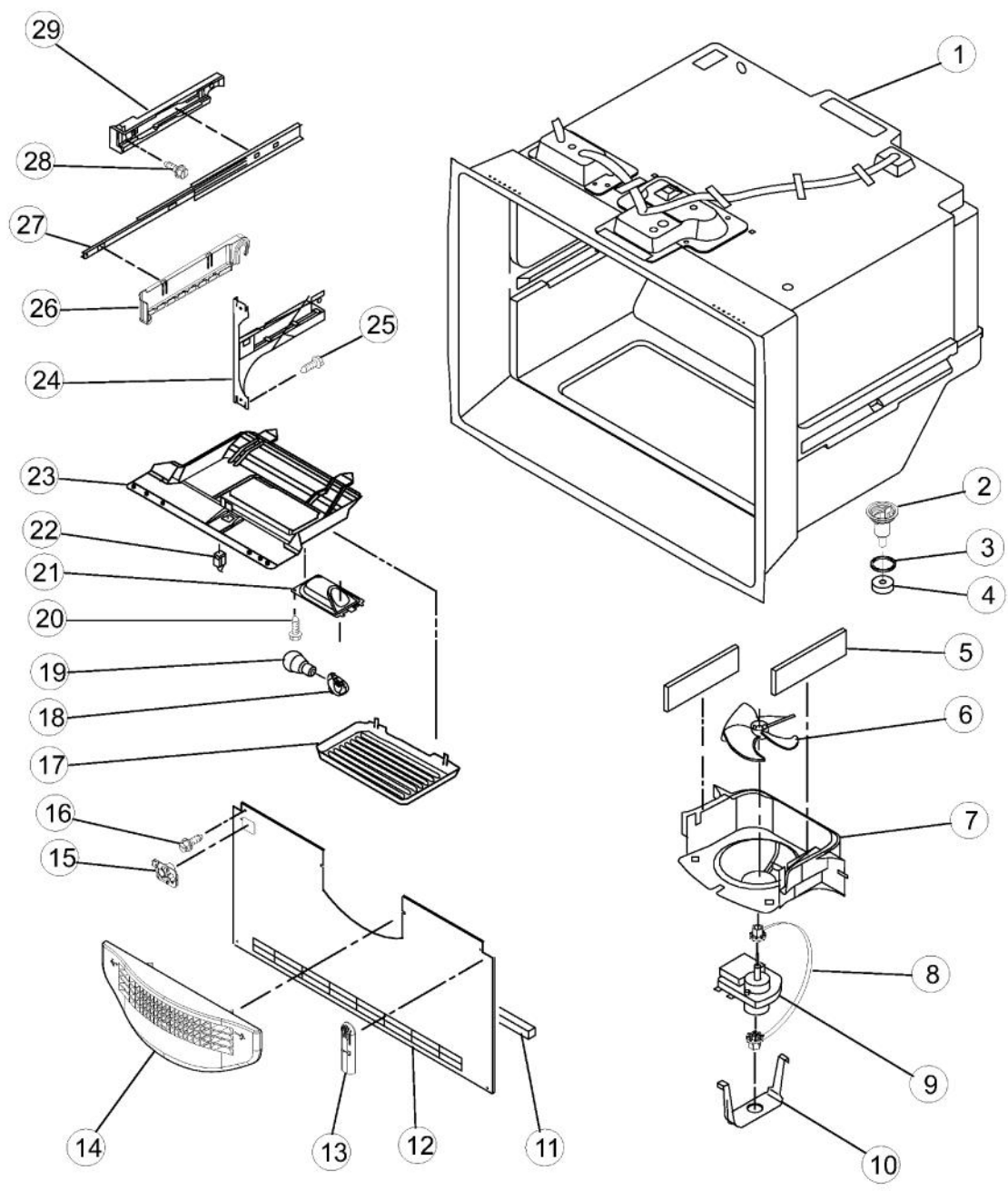
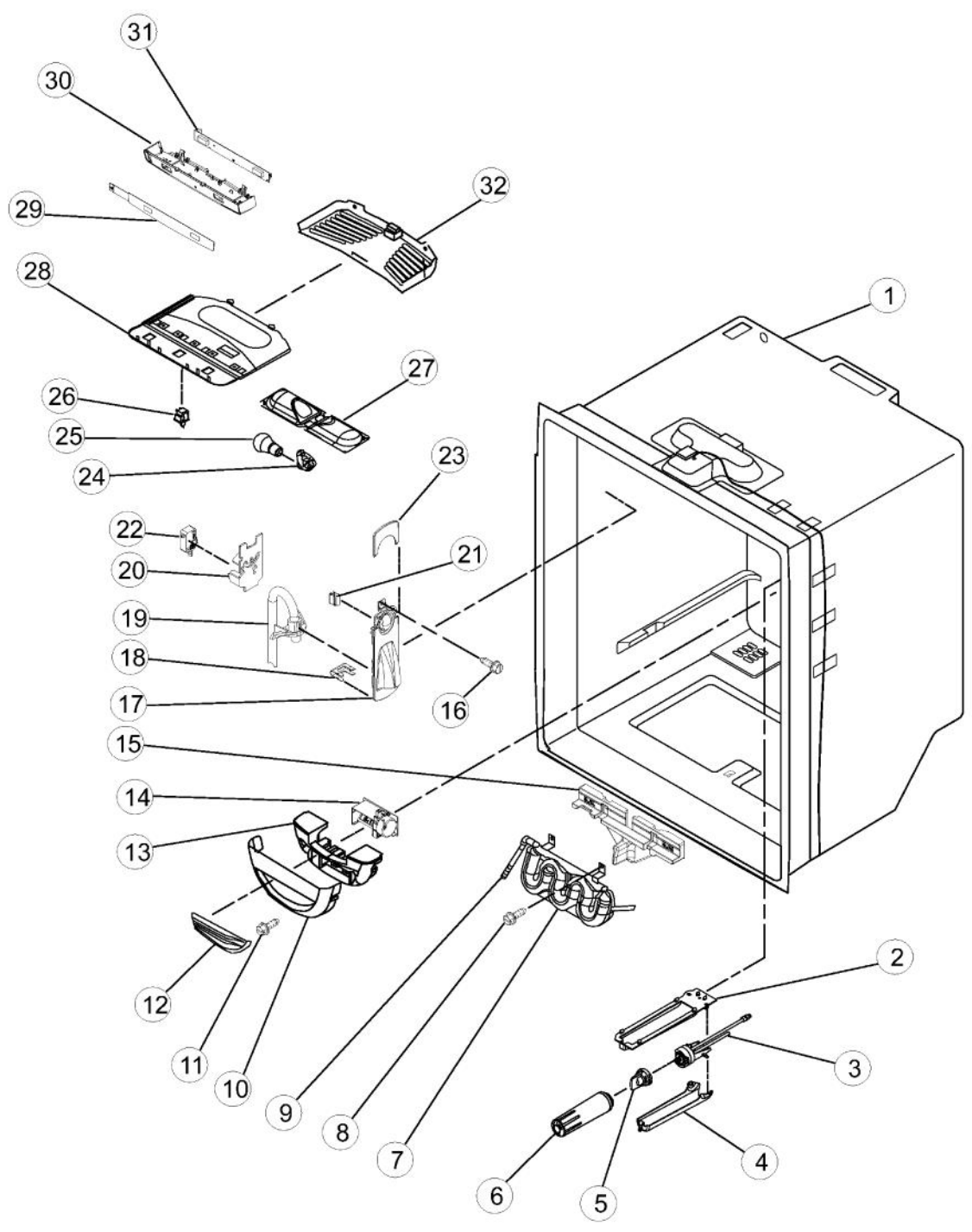


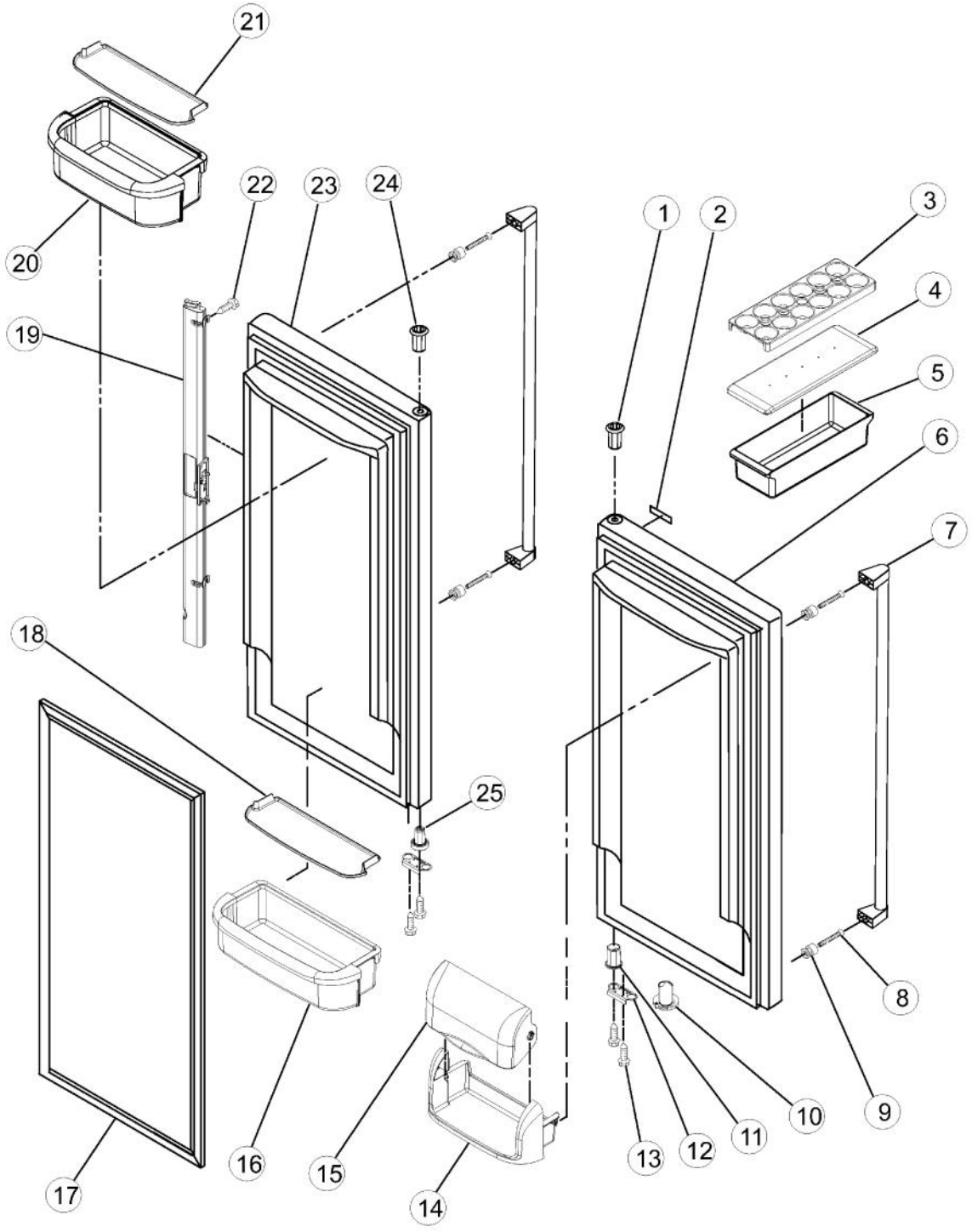
Ref #	Part Number	Qty.	Description
1	021452-000	1	COVER, RIGHT HINGE, APOLLO GREY
2	021734-000	2	SCREW
3	021733-000	6	SCREW
4	021685-000	1	COVER, WATER LINE
5	021711-000	1	SCREW
6	021688-000	1	BLOCK, FILL TUBE
7	021795-000	1	CLIP, SPEED
8	011496-000	1	ELBOW, FILL TUBE
9	PS400006	1	HINGE, TOP RIGHT
10	PS400180	2	CLIP
11	PS400221	2	SHIM, HINGE
12	021714-000	10	SCREW
13	021872-000	1	COVER-WATER VALVE
14	021873-000	1	COVER, UNIT
15	PS400175	1	GASKET
16	PS400182	1	CLAMP, TUBE
17	021871-000	1	FIBER, ACOUSTIC
18	021700-000	1	DUAL TUBE SWEEP
19	PS400091	1	SEAL, O-RING
20	011495-000	1	TUBE, DRAIN
21	PS400097	1	PLUG, BUTTON
22	021847-000	1	ROLLER ASSY., FRONT RIGHT
23	011488-000	1	BRAKE, FOOT
24	021728-000	8	SCREW
25	PS400103	1	TOE GRILLE (BLACK)
26	021848-000	1	ROLLER ASSY., FRONT LEFT
27	021730-000	6	SCREW
28	020629-000	2	HINGE, DOOR, APOLLO GRAY
29	021662-000	2	PIN, CENTER HINGE
30	021709-000	2	SCREW
31	021679-000	1	BLOCK, PIVOT
32	021403-000	2	COVER, CORNER, APOLLO GREY
33	021768-000	1	HINGE, TOP LEFT
34	021854-000	1	COVER, LEFT HINGE, APOLLO GREY



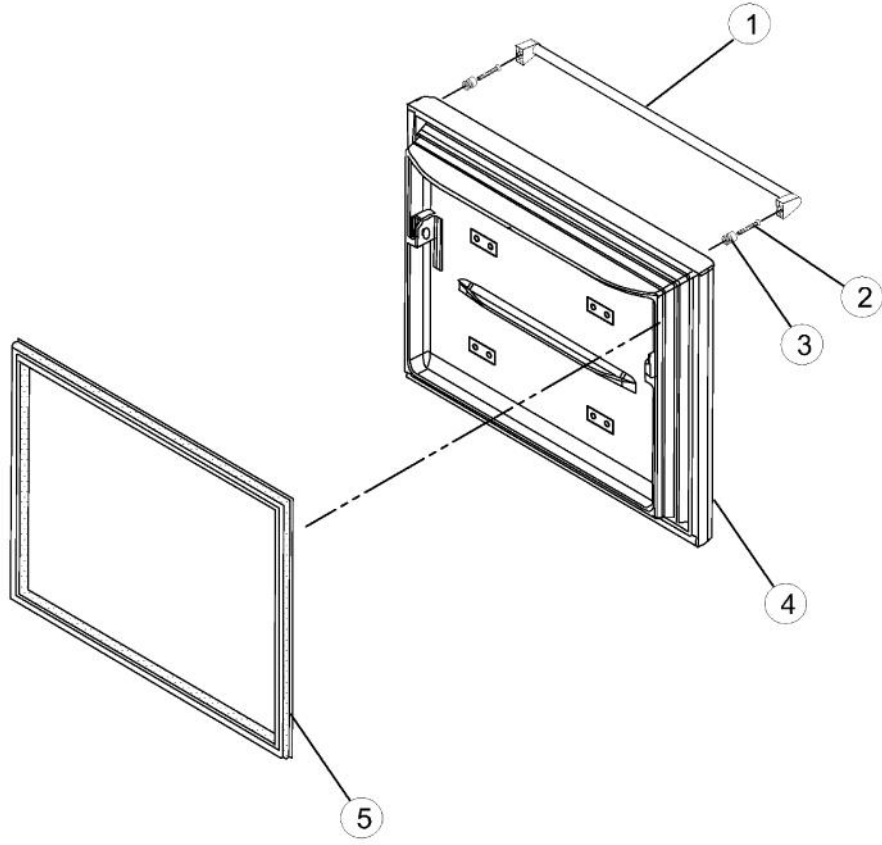
Ref #	Part Number	Qty.	Description
1	PS400091	1	SEAL, O-RING
2	PS400092	1	FUNNEL, DRAIN
3	PS400091	1	SEAL, O-RING
4	PS400090	1	GASKET, DRAIN TUBE
5	021787-000	1	GASKET, FOAM
6	021741-000	1	BLADE, FAN (EVAPORATOR)
7	021738-000	1	SHROUD, EVAPORATOR FAN
8	021804-000	1	GROMMET
9	021740-000	1	MOTOR, EVAPORATOR
10	021739-000	1	CLIP, EVAP MOTOR
11	021788-000	1	GASKET, FOAM
12	021874-000	1	COVER, EVAPORATOR
13	021696-000	1	COVER, THERMISTOR
14	021736-000	1	GRILLE, FZ AIR
15	021704-000	1	GUIDE, FILL TUBE
16	021714-000	4	SCREW
17	021689-000	1	COVER, FREEZER LIGHT
18	021765-000	1	SOCKET, LIGHT
19	021875-000	1	BULB. LIGHT
20	021783-000	1	SCREW
21	021759-000	1	HOUSING, LIGHT
22	021669-000	1	SWITCH, LIGHT
23	021690-000	1	MODULE, FREEZER CONTROL
24	011500-000	1	BRACKET, DOOR, LEFT
NI	011501-000	1	BRACKET, DOOR, RIGHT
25	021724-000	1	SCREW
26	021849-000	1	CRADLE, BASKET, LEFT
NI	021850-000	1	CRADLE, BASKET, RIGHT
27	021737-000	1	SLIDE, DRAWER
28	021710-000	6	SCREW
NI	021836-000	1	HARNESS, FZ MODULE
29	021876-000	1	ADAPTER, SLIDE, LEFT
NI	021877-000	1	ADAPTER, SLIDE, RIGHT
NI	021851-000	1	RACK-SIDE-LEFT
NI	021852-000	1	RACK-SLIDE, RIGHT



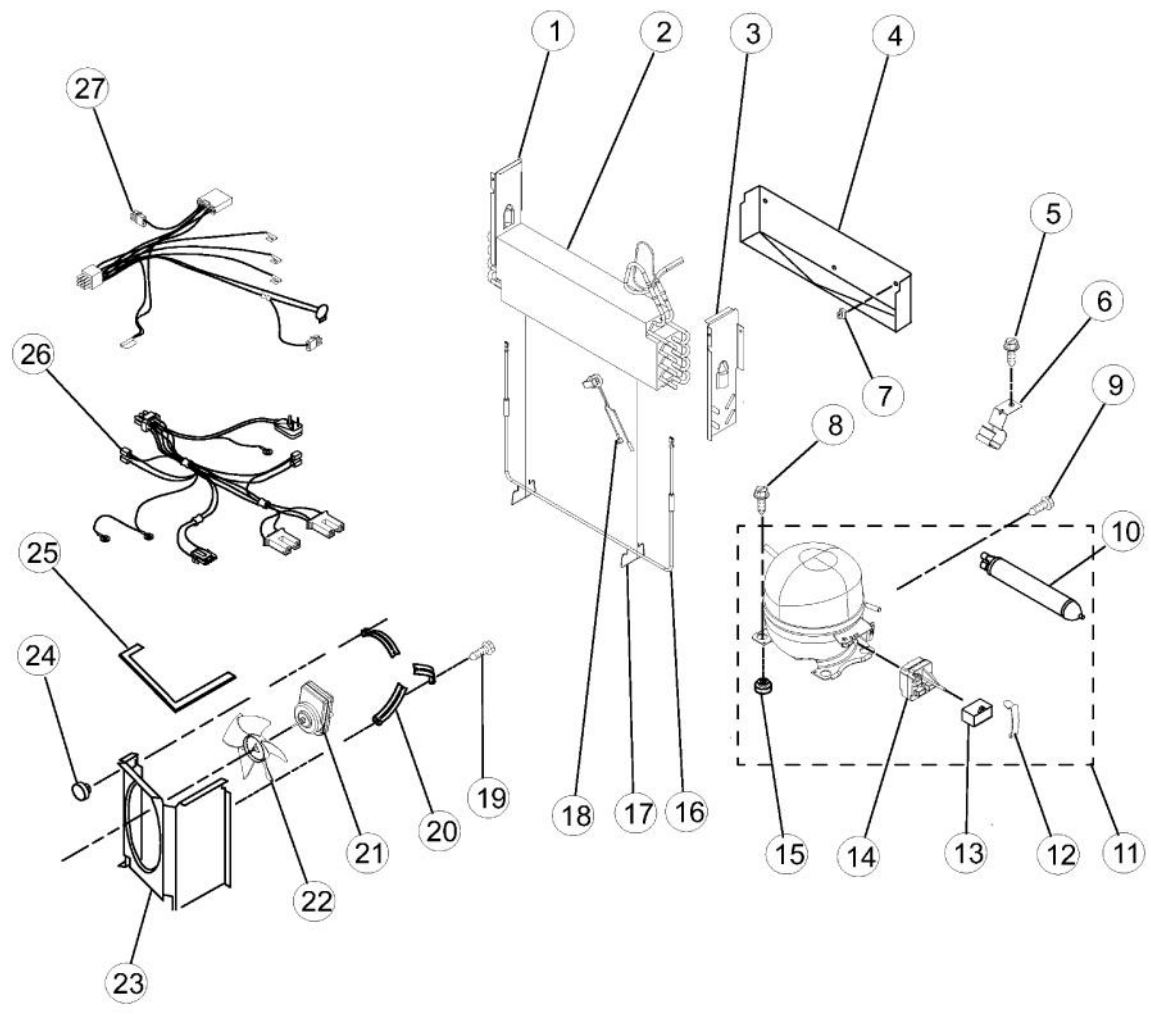
Ref #	Part Number	Qty.	Description
1	NON REPLACEABLE	1	OVEN CAVITY, 36 (G30014040)
2	021681-000	1	PLATE
3	021878-000	1	HEAD, WATER FILTER
4	PS400031	1	COVER, FILTER
5	021742-000	1	PLUG, BYPASS
6	SALES ITEM	1	WATER FILTER
7	021879-000	1	TANK, WATER
8	021717-000	2	SCREW
9	PS400040	1	UNION (5/16 X 5/16)
10	021694-000	1	COVER, DAMPER
11	021725-000	1	SCREW
12	021695-000	1	INSERT, DAMPER COVER
13	021735-000	1	INSULATION
14	PS400056	1	CONTROL, DAMPER
15	005401-000	1	INSULATION, WATER TANK
16	021719-000	1	SCREW
17	021775-000	1	FACADE, DISP.
18	021757-000	1	WATER LINE CLIP
19	021776-000	1	GUIDE, WATERLINE
20	021777-000	1	PLATE, SWITCH
21	021791-000	2	CLIP, FA?ADE
22	PS400035	1	SWITCH, LIMIT
23	021683-000	1	FA?ADE, DISPENSER (TOP)
24	021765-000	2	SOCKET, LIGHT
25	021875-000	2	BULB. LIGHT
26	021792-000	2	SWITCH, LIGHT
27	021781-000	1	LIGHT HOUSING
28	021691-000	1	MODULE, LIGHT
29	021880-000	1	OVERLAY
30	021692-000	1	HOUSING, CONTROL
31	021881-000	1	CONTROL BOARD
32	021693-000	1	COVER, LIGHT



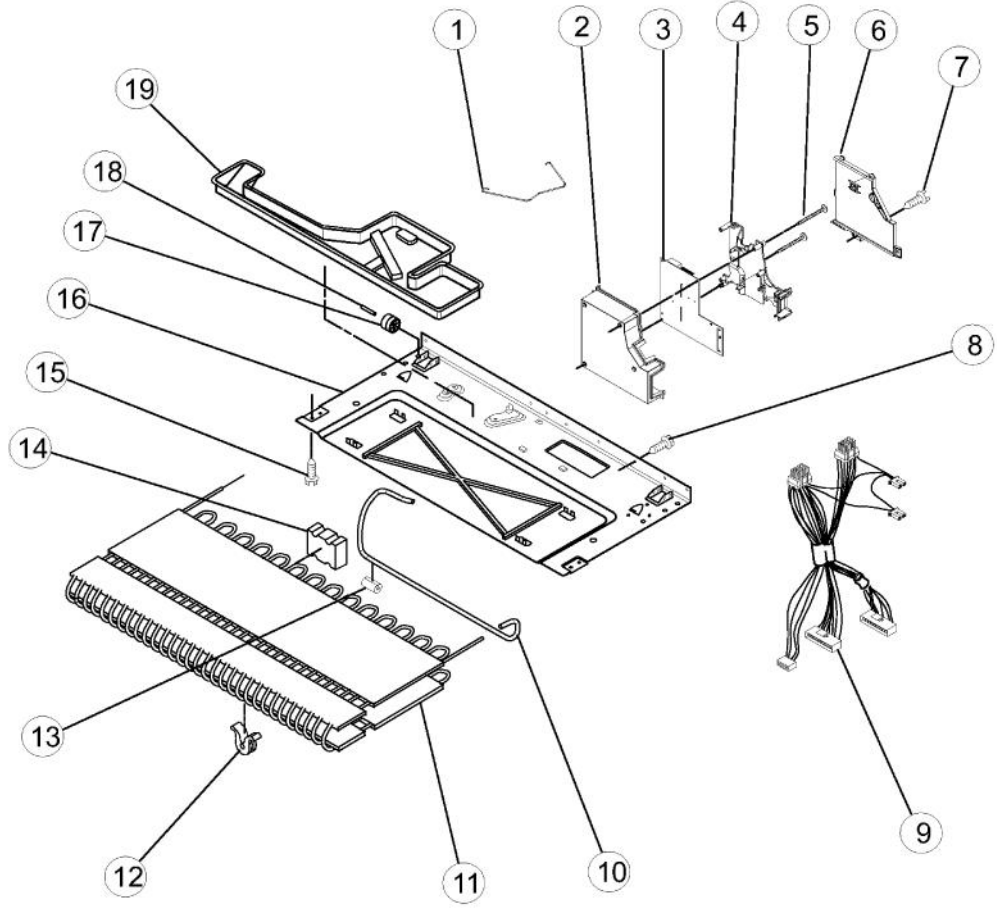
Ref #	Part Number	Qty.	Description
1	021859-000	1	BUSHING, DOOR, APOLLO GREY (UPPER RIGHT)
2	021569-000	1	NAMEPLATE (CONTACT VIKING)
3	021748-000	1	TRAY, EGG
4	021747-000	1	LID, UTILITY
5	021746-000	1	BIN, UTILITY
6	021864-000	1	DOOR, RIGHT, STAINLESS
7	021866-000	2	HANDLE, DOOR (SS)
8	011598-000	4	SCREW
9	021567-000	4	STUD, HANDLE
10	021860-000	2	CLOSURE, DOOR, APOLLO GREY
11	021753-000	1	BUSHING, DOOR (BOTTOM RIGHT)
12	021856-000	2	STOP, DOOR, APOLLO GREY
13	021711-000	4	SCREW
14	021758-000	1	TRAY, DAIRY
15	021780-000	1	DOOR, DAIRY
16	021680-000	2	BIN, SHELF (GAL-W/GRIPPER)
17	021868-000	2	GASKET, DOOR, APOLLO GREY
18	021764-000	1	GRIPPER, GALLON BUCKET
19	021862-000	1	MULLION, DOOR, APOLLO GREY
20	021882-000	3	BIN, SHELF (MED-W/GRIPPER)
21	021763-000	1	GRIPPER, MEDIUM BUCKET
22	021708-000	1	SCREW
23	021863-000	1	DOOR, LEFT, STAINLESS
24	021861-000	1	BUSHING, DOOR, APOLLO GREY (UPPER LEFT)
25	021774-000	1	BUSHING, DOOR (BOTTOM LEFT)



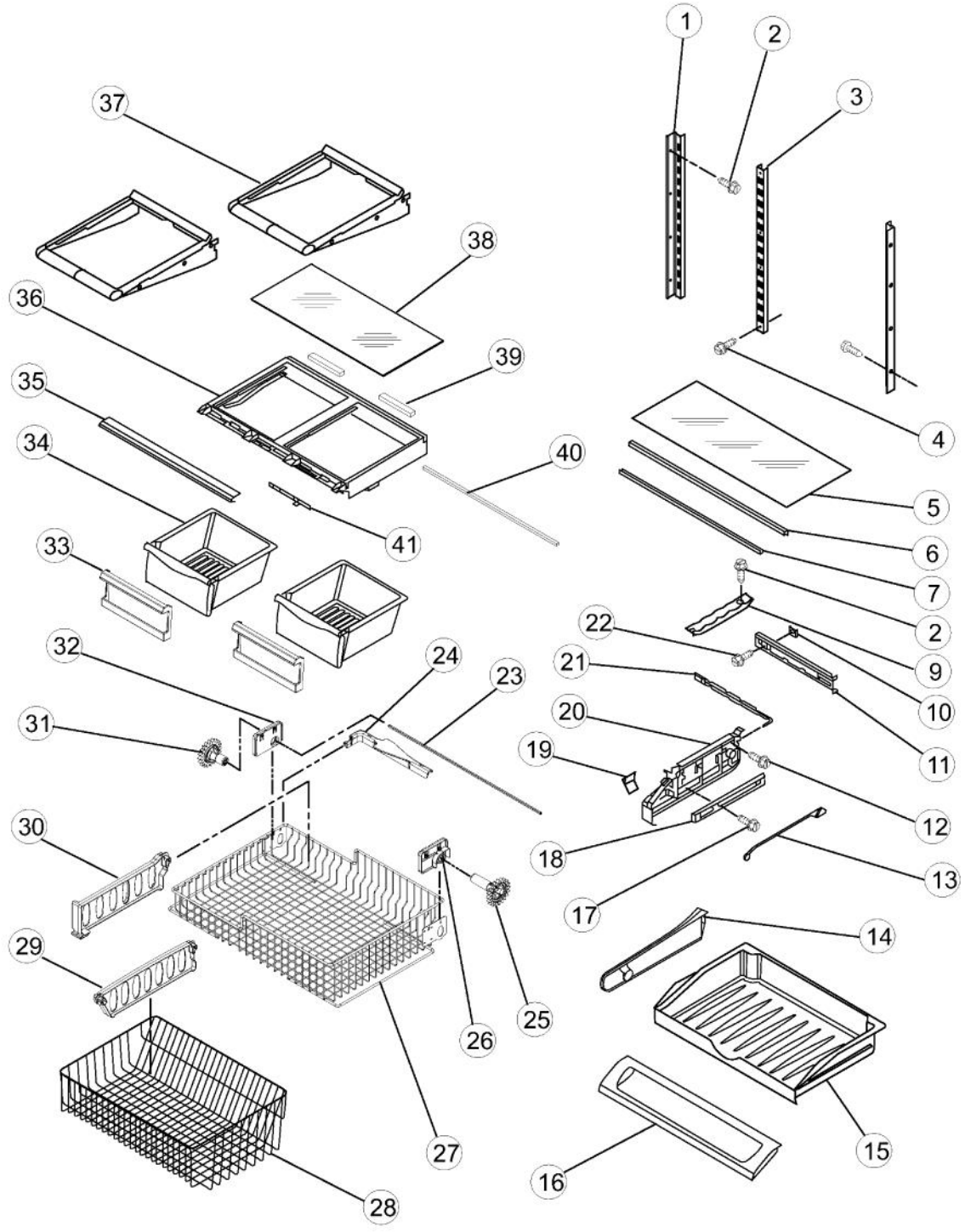
Ref #	Part Number	Qty.	Description
1	021866-000	1	HANDLE, DOOR (SS)
2	011598-000	2	SCREW
3	021567-000	2	STUD, HANDLE
4	021867-000	1	DOOR, FREEZER (SS)
5	021869-000	1	GASKET, FREEZER DOOR (BLACK)



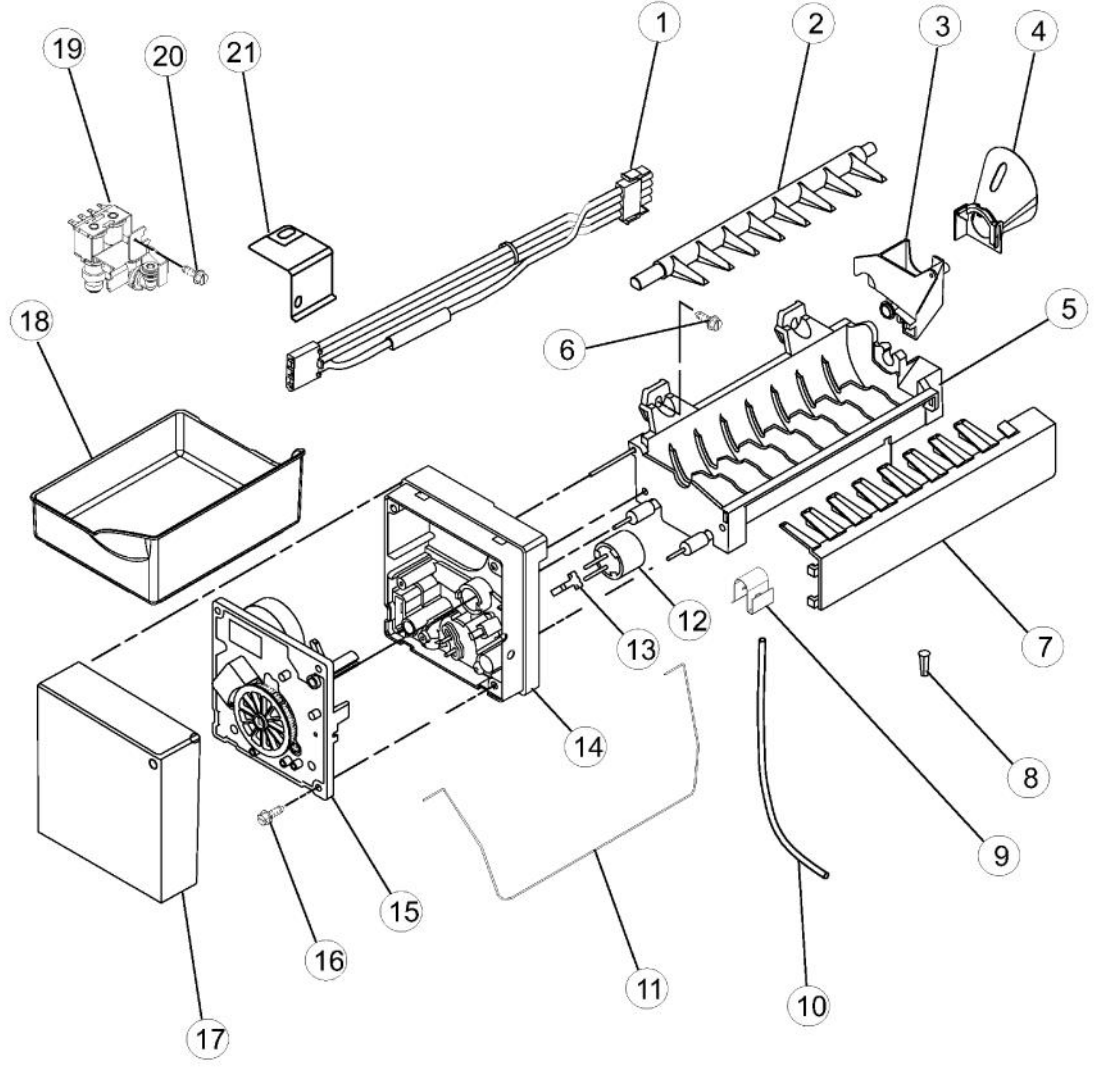
Ref #	Part Number	Qty.	Description
1	021884-000	1	DAM, LEFT SIDE
2	021686-000	1	EVAPORATOR
3	021883-000	1	DAM, RIGHT SIDE
4	021885-000	1	TRAY, DRIP
5	021726-000	1	SCREW
6	011556-000	1	CLIP, DRIER
7	PS400124	1	CLIP, EVAPORATOR
8	021886-000	3	SCREW
9	021731-000	1	SCREW, GROUND
10	021799-000	1	DRIER
11	021797-000	1	COMPRESSOR KIT
12	021887-000	1	CLIP, CAPACITOR
13	021661-000	1	CAPACITOR
14	021888-000	1	RELAY, START
15	021750-000	4	GROMMET
16	021889-000	1	HEATER, DEFROST
17	011548-000	1	CLIP, HEATER
18	021890-000	1	THERMOSTAST, DEFROST
19	021891-000	3	SCREW
20	021892-000	1	BRACKET, FAN MOTOR
21	021893-000	1	MOTOR, FAN
22	021894-000	1	BLADE, FAN
23	021895-000	1	SHROUD
24	PS400165	3	GROMMET BRACKET (61004743)
25	PS400159	1	SEAL, CONDENSER SHROUD (61003210)
26	021896-000	1	HARNESS, UNIT W/ POWER CORD
27	021897-000	1	HARNESS, EVAP. HEATER
NI	011546-000	1	THERMOSTAT, DEFROST



Ref #	Part Number	Qty.	Description
1	021815-000	1	STRAP - BALE
2	021905-000	1	BOX, HV CONTROL
3	PS400191	1	HV BOARD (INC. INSTRUCTIONS)
4	021906-000	1	SPACER, HV BOX
5	021908-000	2	SCREW
6	021901-000	1	COVER, HV BOX
7	021903-000	1	SCREW
8	021714-000	2	SCREW
9	021907-000	1	HARNESS, HV
10	021909-000	1	TUBE, DISCHARGE
11	021900-000	1	CONDENSER
12	011560-000	4	GROMMET, CONDENSER
13	021551-000	2	GROMMET-COND.
14	021902-000	1	BLOCK, CONDENSER
15	021904-000	4	SCREW
16	021898-000	1	BASEPAN
17	021670-000	2	ROLLER ASSY., REAR
18	021671-000	2	AXLE - ROLLER
19	021899-000	1	PAN, DRAIN



Ref #	Part Number	Qty.	Description
1	021838-000	2	LADDER, RH / LH
2	021719-000	6	SCREW
3	021846-000	1	LADDER, CENTER
4	021910-000	2	SCREW
5	021911-000	1	GLASS, PANTRY
6	021773-000	2	SUPPORT, PANTRY
7	021756-000	2	BRACE, PANTRY
9	021672-000	1	TRACK, PANTRY
10	021678-000	1	GASKET, PANTRY
11	021677-000	1	HOUSING, CONTROL
12	021717-000	4	SCREW
13	021675-000	1	ROD, TEMP CONTROL
14	021684-000	1	DIVIDER, PANTRY DRAWER
15	021772-000	1	DRAWER, PANTRY
16	021745-000	1	DOOR, PANTRY DRAWER
17	021711-000	4	SCREW
18	021912-000	2	GLIDE, DRAWER
19	021771-000	1	KNOB, TEMP CONTROL
20	PS400076	1	END CAP, LH PANTRY
21	021676-000	4	SLIDE TEMPERATURE
22	021719-000	1	SCREW
23	021782-000	1	SHAFT-RACK
24	021801-000	1	LIFT-BALL ARM
25	021800-000	1	GEAR, LONG-RIGHT
26	021834-000	1	MOUNT-GEAR - RIGHT
27	021809-000	1	BASKET, FREEZER (UPPER)
28	021802-000	1	BASKET, FREEZER (LOWER)
29	021803-000	1	DIVIDER, LOWER BASKET
30	021837-000	1	DIVIDER, UPPER BASKET
31	021805-000	1	GEAR, SHORT-LEFT
32	021833-000	1	MOUNT-GEAR - LEFT
33	021778-000	1	FRONT, CRISPER PAN
34	021761-000	2	CRISPER PAN
35	021832-000	1	TRIM, CRISPER
36	021762-000	1	FRAME, CRISPER
37	021668-000	4	GLIDE, PANTRY DRAWER
38	021744-000	1	GLASS, CRISPER
39	021857-000	1	GASKET
40	021755-000	1	BRACE, CRISPER
41	021760-000	1	SLIDE, HUMIDITY CONTROL
NI	PS400077	1	END CAP, RH PANTRY



Ref #	Part Number	Qty.	Description
1	021793-000	1	HARNES, ICE MAKER
2	PS400199	1	ICE EJECTOR
3	011581-000	1	CUP. FILL
4	021703-000	1	FUNNEL, FILL TUBE
5	011580-000	1	MOLD & HEATER ASSEMBLY
6	021855-000	3	SCREW
7	PS400200	1	ICE STRIPPER
8	PS400178	1	INSERT, TUBE
9	017065-000	1	CLIP
10	021915-000	1	TUBING, PLASTIC
11	021913-000	1	ARM, SHUTOFF
12	021387-000	1	THERMOSTAT
13	011585-000	1	RETAINER, THERMOSTAT
14	011584-000	1	SUPPORT, HOUSING
15	021830-000	1	MODULE ASSEMBLY
16	011588-000	3	SCREW
17	PS400368	1	COVER, ICE MAKER
18	017060-000	1	PAN, ICE
19	021914-000	1	VALVE, WATER INLET
20	021729-000	1	SCREW
21	011577-000	1	BRACKET, ICE MAKER
NI	021811-000	1	ICEMAKER ASSY