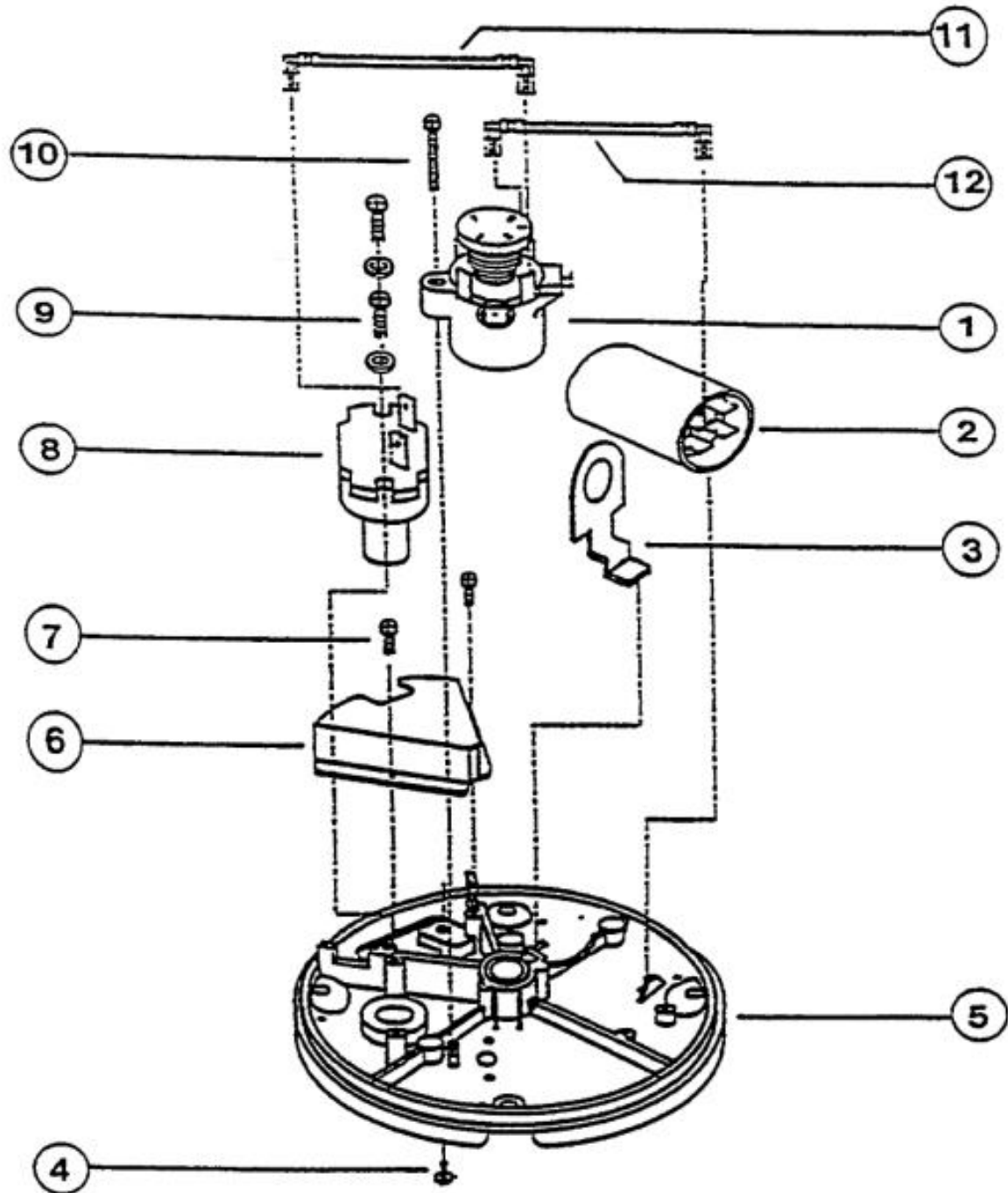
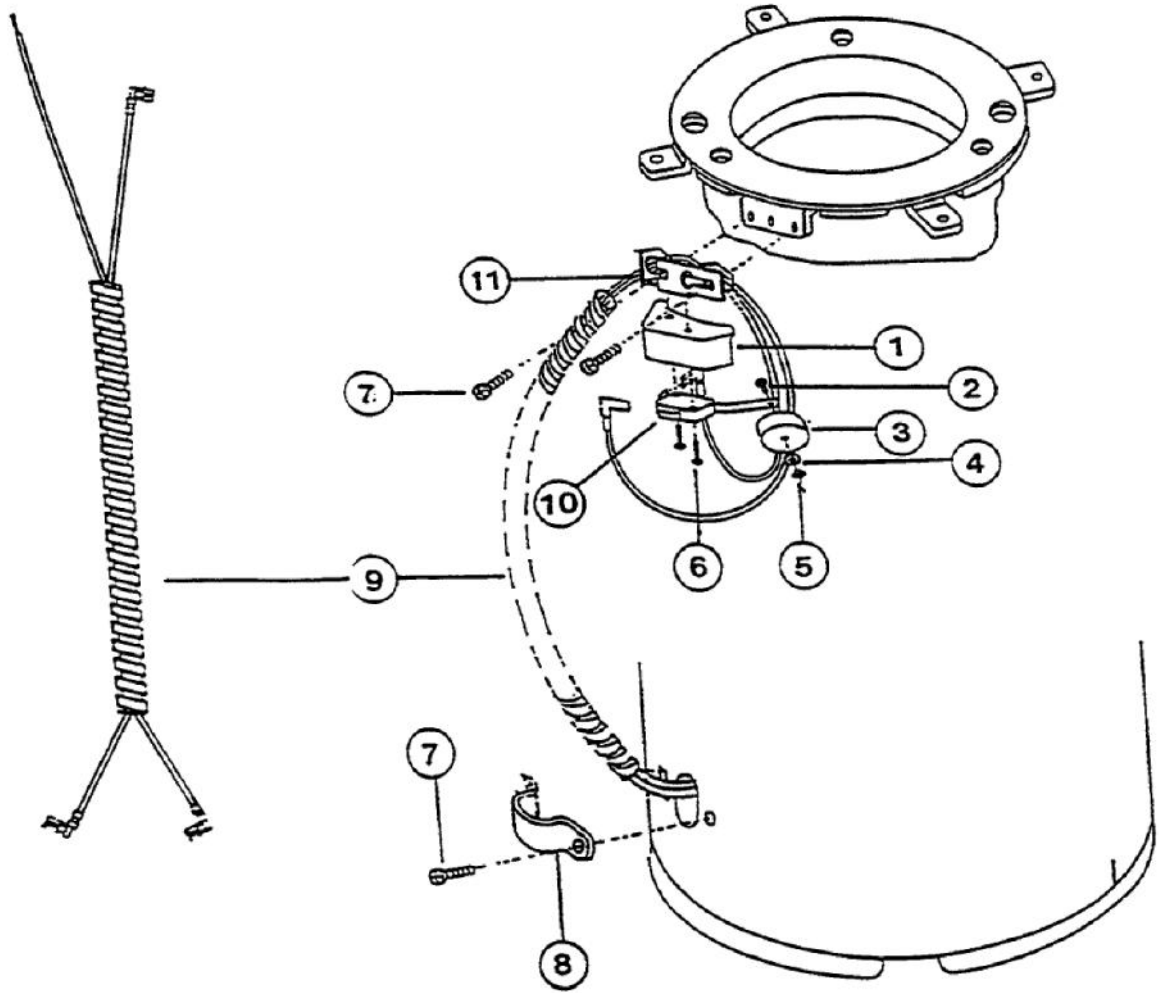


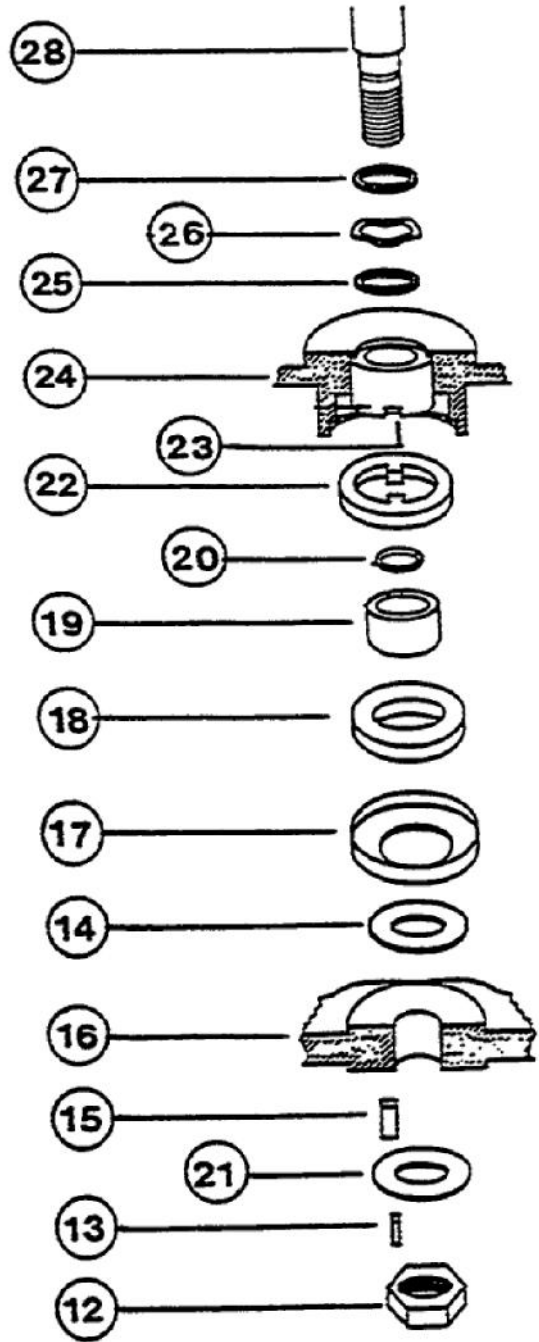
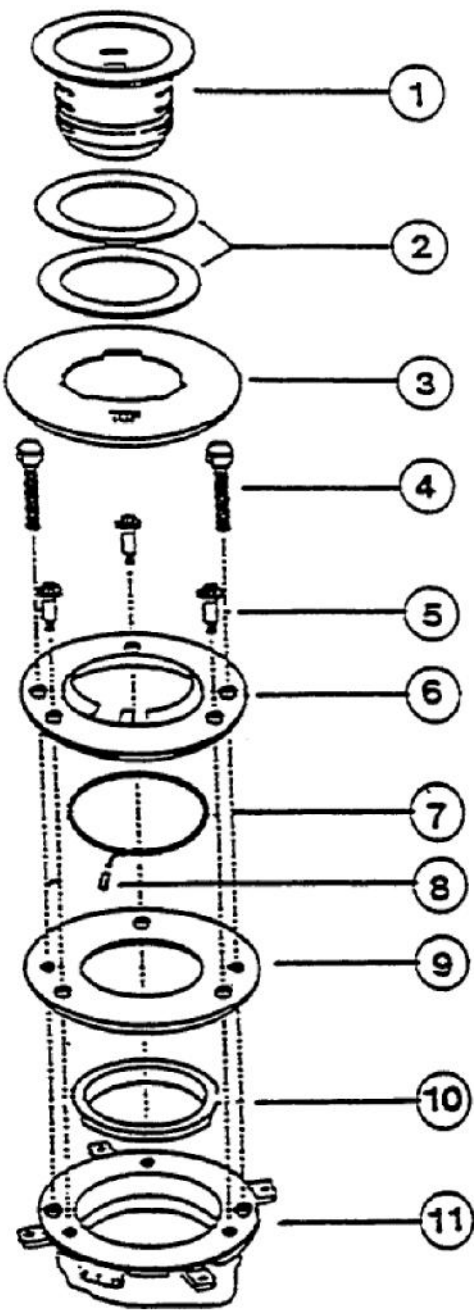
Ref #	Part Number	Qty.	Description
1	PB070018		DRAIN LINER
2	PB070021		SEAL, SPOUT - DISPOSAL 115818
3	PP100006		SPOUT, WASTE - DISPOSAL 115817
4	C9301043ZC		SPOUT FLANGE
5	PD030008		HEX NUT
6	PD010020		HEX HEAD BOLT (1/4-20 X 1 1/2)
7	J1002322		FULL SHELL-LOWER GRAY(BATCH/CONT)
8	PD020027		SCREW, DRIVE NO.6-32 X 3/8SLT.WSH.HD
9	PD020026		SCREW, DRIVE NO.6-32 X 5/16 C.REC. T
10	PB070033		LOWER INSULATION
11	PB070019		INSULATION, UPPER - DISPOSAL 115425
12	G3201048		TRIM, BAND ASSY XALX
13	PP100010		TOP, CAP (GRAY) CONT. FEED
14	PD020030		SCREW, DRIVE NO.8-32 X 3/8 PAN C.REC
15	J1002321		HALF SHELL-REAR (CONTINUOUS)
16	PD020037		SCREW
17	PP100002		SUB TO G3201048 - TRIM BAND
18	PE010023		LABEL, MAIN (VCFW1020)
19	PK010005		UPPER HOUSING - CONTINUOUS FEED
20	PB070020		SEAL, SHREDDER RING-DISPOSAL 115804
21	PD020034		SCREW-NO.2-56 X 3/8 (NO.304) SS RD.HD
22	PC070008		RING,SHREDDER-MACH.-DISPOSAL 242555



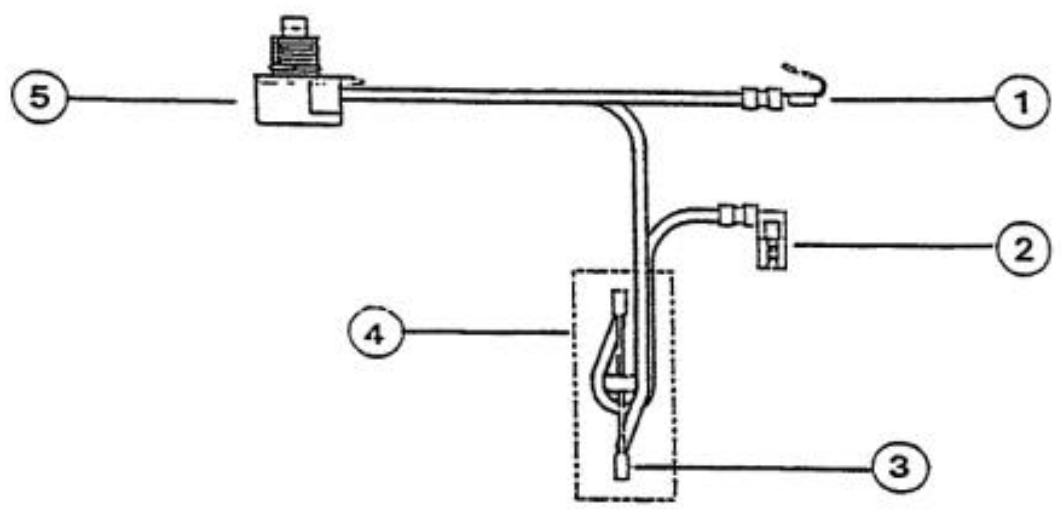
Ref #	Part Number	Qty.	Description
1	PE050012		RELAY, REV.ASSY -DISPOSAL 113657-5
2	PE070100		CAPACITOR (NO LONGER AVAILABLE)
3	PD030022		CLIP, CAPACITOR RETR. -DISPL.108871
4	PD020038		SCREW-NO.10 X 3/8 HEX WH.HD.T(F)GREEN
5	PM010013		END BELL & BEARING ASSY
6	PB070017		BARRIER,ELECT.ENCL.-DISPOSAL 115314
7	PD020026		SCREW, DRIVE NO.6-32 X 5/16 C.REC. T
8	PE070091		PROTECTOR, OVERHEAT-MANUAL - DISP.
9	PD020023		SCREW, PROTECTOR - DISPOSAL 278497
10	PD020025		SCREW, DRIVE NO.6-32 X 1 PAN C.REC.T
11	G4001051		BLACK WIRE LEAD - 4 1/2``
12	G4001053		LEAD WIRE ASSY - DISPL. 242515-134



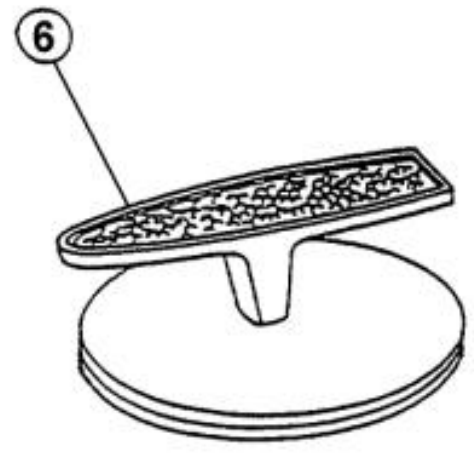
Ref #	Part Number	Qty.	Description
1	PP100012		COVER, MICRO SWITCH - DISPOSAL
2	PD020034		SCREW-NO.2-56 X 3/8 (NO.304) SS RD.HD
3	PM010009		MAGNET, PERMANENT-DISPOSAL 203909-2
4	PD040019		NO.2 (NO.304) XSSX FLAT WASHER
5	PD030030		NO.2-56 (NO.304) SS HEX NUT
6	PD020029		DRIVE SRW - NO.4-40 X 3/4T(F)PN.HD.CR
7	PD020028		SCREW, DRIVE NO.8-18 X 1/2 PAN C.REC
8	C9301039ZC		CLAMP, CONDUIT
9	G3201040		CONDUIT AND LEAD ASSEMBLY
10	PE070093		SWITCH, MICRO - DISPOSAL 243028
11	C9301045ZC		SWITCH MOUNTING BRKT.



Ref #	Part Number	Qty.	Description
1	PK010001		SINK FLANGE
2	PB070023		SEAL, SINK FLANGE - DISPOSAL 201462
NI	PP100011		GUARD, SPLASH - DISPOSAL 242095
3	C9301036ZC		SUPT RING
4	PD020020		SCREW, ADJUSTING - DISPOSAL 114897
5	PD020021		SCREW, HOLD DOWN - DISPOSAL 114909
6	C9301037ZC		PRESSURE WASHER
7	PD030023		SNAP RING
8	PP100005		CAP, VINYL RED - DISPOSAL 115803
9	C9301038ZC		PRESSURE PLATE
10	PB070016		RING SEAL
11	PK010005		UPPER HOUSING - CONTINUOUS FEED
12	PD030027		NUT, HEX JAM NO.5/8-18 -DISP,NS-17-41
13	PD030024		NYLON NUT LOCK
14	PD040016		WASHER, UPPER THRUST - DISPL.202734
15	PM010010		KEY, SQUARE MACHINE-DISPOSAL 240509
16	PC070009		FLYWHEEL,ZINC/SS CUTR-MACH.(242556)
17	PB070024		SEAL, TRIPLE LIP - DISPOSAL 201469
18	PM010006		FELT, LUBRICANT - DISPOSAL 115805
19	PB070025		SEAL, SLEEVE - DISPOSAL 202927
20	PB070022		O-RING - DISPOSAL 201444
21	PD040015		WASHER, WEAR - DISPOSAL 202732
22	J1006346		FELT WIPER (.750 SHAFT)
23	PB010001		DUAL THERMAL VALVE
24	PC070011		CAST IRON HOUSING
25	PD040018		WASHER -.763 X .963 X .035 NYLON PL.
26	PC010003		WASHER, WAVY - DISPOSAL 115461
27	PD040017		WASHER -.757 X .963 X .035 STL.PL.
28	PE070105		ROTOR, ASSY KW - DISPOSAL 22275-23
NI	FM201036		SUPPORT RING



FOOD WASTE DISPOSERS COVER ASSEMBLIES



Ref #	Part Number	Qty.	Description
1	PE070097		TERMINAL, FLAG - DISPOSAL 65890-64
2	G4001054		WIRE LEAD ASSEMBLY
3	PE070098		CONNECTOR, STRAIGHT-DISPOSAL 65890-
4	PE070106		SHRINK TUBING-.5 ID X.007 POLYESTER
5	PE070102		SUB TO G3201062
NI	PE070087		HIGH VOLTAGE RECTIFIER
NI	PE070099		TERMINAL, FLAG - DISPOSAL 65890-9
NI	G3201062		SWITCH & DIODE ASSY
6	G5002396		TOP CAP ASSY (VIKING-CONT.)
	G5002398		CONTINUOUS FEED COVER ASSY (U-LINE)