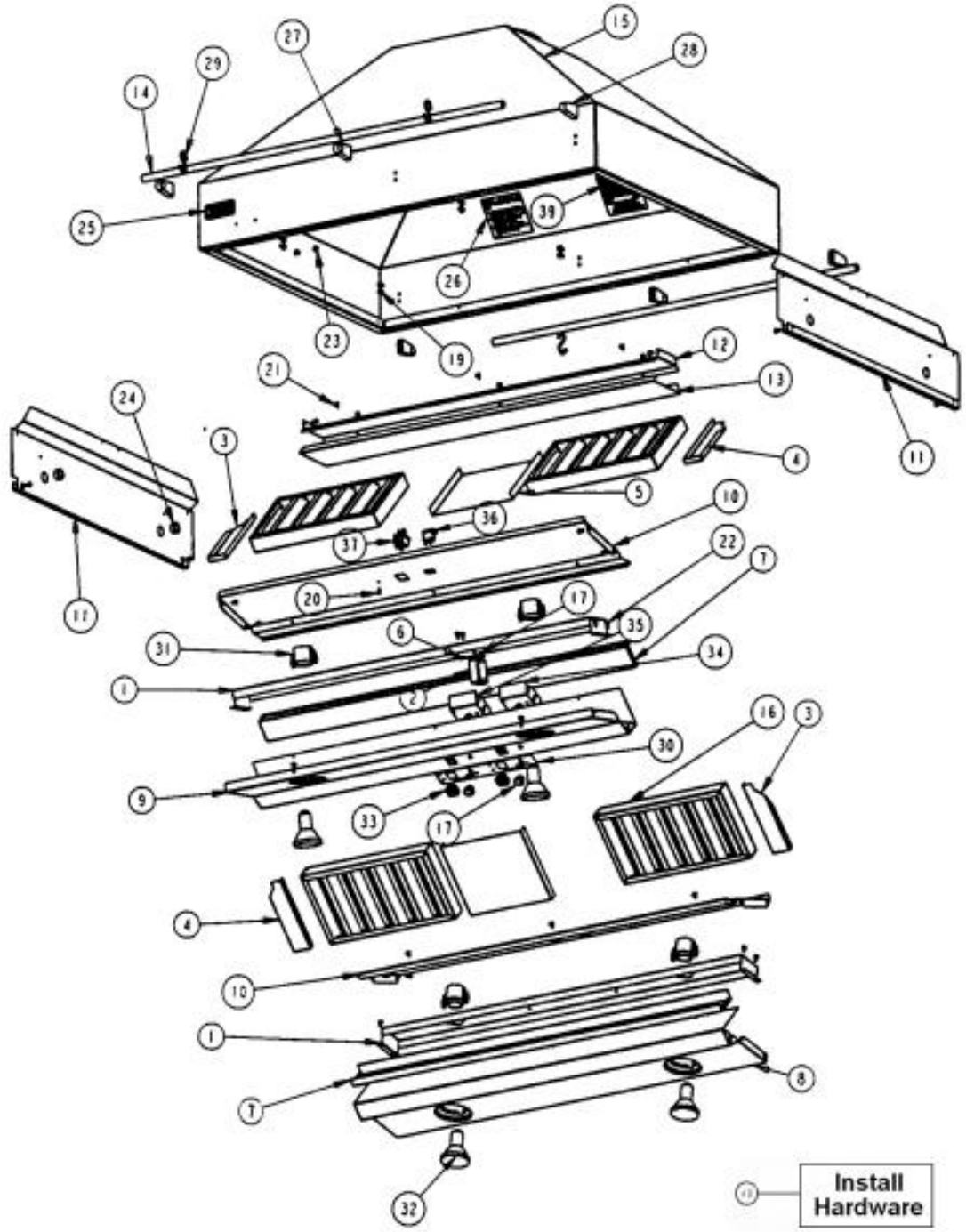
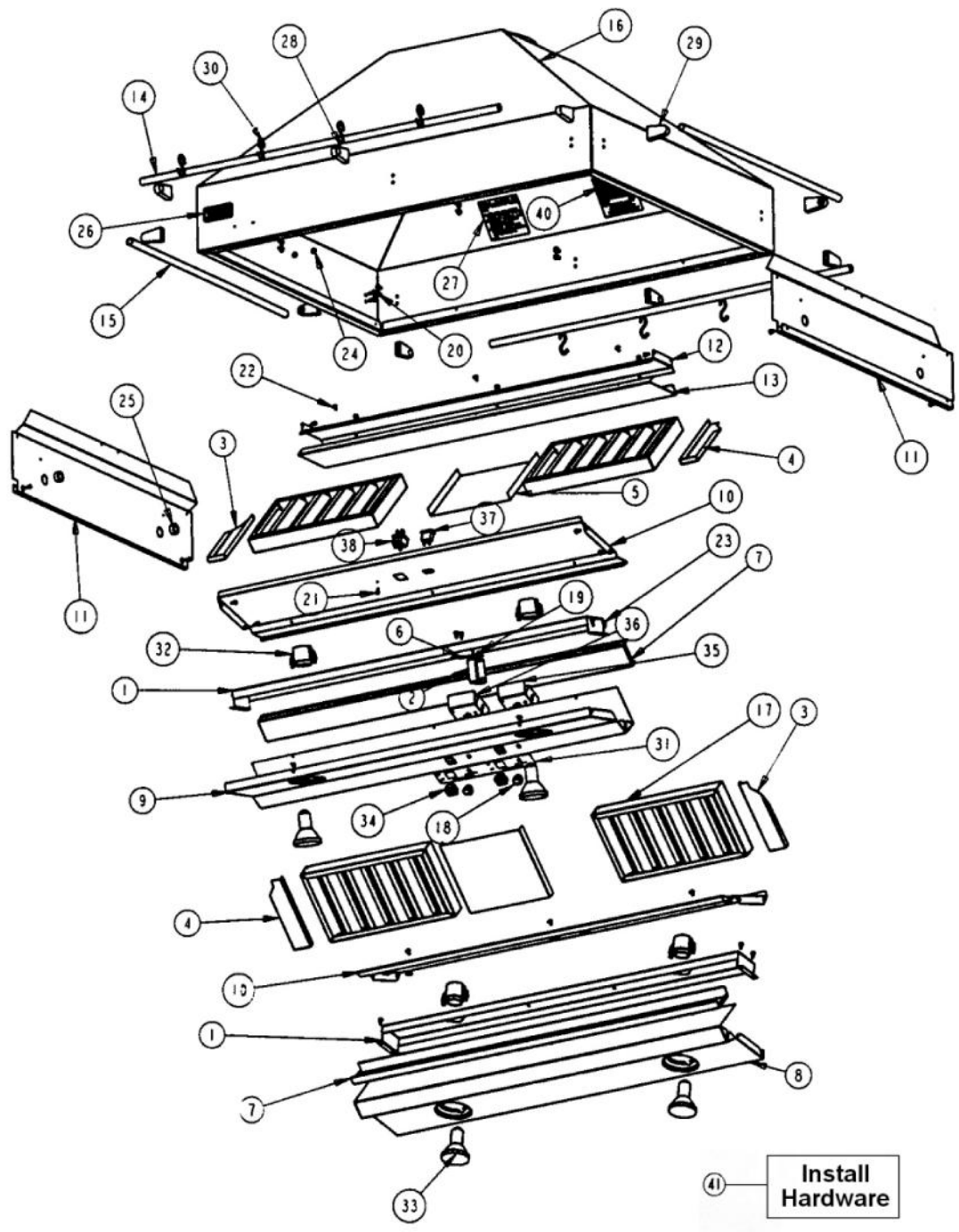


| Ref # | Part Number | Qty. | Description |
|-------|-----------------|------|--|
| 1 | A2004096 | | LIGHT SUPT (VIH42) |
| 2 | A2103810 | | THERMODISC BRACKET |
| 3 | B20011033 | | RH SIDE SPACER (VCIH42) 1.73 X 7 |
| 4 | B20011034 | | LH SIDE SPACER (VCIH42) 1.73 X 7 |
| 5 | B20011039 | | FILTER SPACER (VCIH36/42) 8.3438 X 7 |
| 6 | B2003837 | | HEAT SENSOR BRKT |
| 7 | B2003887 | | GREASE TROUGH (VWH4248)/78 |
| 8 | B2004065 | | CTRL PAN REAR (VIH4208) |
| 9 | B2004068 | | CTRL PAN FRONT (VIH4208) |
| 10 | B2004069 | | CTRL PAN TOP (VIH4208) |
| 11 | B2009388 | | I/S SIDE (VCIH4208) |
| 12 | B2009392 | | FILTER SUPPORT TOP (VCIH4208) |
| 13 | B2009396 | | FILTER SUPPORT BOTTOM (VCIH4208) |
| 14 | NOT REPLACEABLE | | OVEN CAVITY (NOT REPLACEABLE PART) |
| 15 | G3103955 | | FILTER ASSEMBLY 13.375 X 7 |
| 16 | PA010071 | | LIGHT/MOTOR CONTROLLER KNOB |
| 17 | PC040010 | | POP RIVET |
| 18 | PD020010 | | 10 X 3/8 GREEN GROUNDING SCREW |
| 19 | PD020032 | | SRW-8(A)X3/8PH.WFR HD 7/16DIAXNICL |
| 20 | PD020087 | | 10 X 1/2 PAN PH. TEK ZINC |
| 21 | PD030006 | | CAPPED WASHER PAL NUT |
| 22 | PD040005 | | SNAP BUSHING - 7/8 |
| 23 | PE010142 | | 3 LOGO XBKXXCHROME |
| | PE010144 | | 3 LOGO XWHXCHROME |
| | PE010143 | | 3 LOGO BK/BR |
| | PE010145 | | LOGO - WH / BR |
| 24 | PE020058 | | RATING LABEL (ADHESIVE) |
| 25 | PE040131 | | CTRL PNL GRPH REPL (30/3610 36/4208) |
| 26 | PE050032 | | LIGHT SOCKET, (571V) |
| 27 | PE050034 | | HALOGEN BULB 50W |
| 28 | PE050048 | | FAN/LIGHT SWITCH (HOODS) EP0M11J |
| 29 | PE050156 | | PRO BLOWER CONTROL |
| 30 | PE050141 | | PRO LIGHT CONTROL |
| 31 | PE070196 | | FEMALE SOCKET (2 PRONG) |
| 32 | PE070197 | | MALE SOCKET (3 PRONG) |
| 33 | PE070381 | | VIH36/42 WIRE HARNESS |
| 34 | PF030337 | | HOOD WARNING LABEL |
| 35 | PD020009 | | 10 X 1 PH. HD. PAN HD. SMS INSTALLATION HARDWARE - QTY. 6 |
| NI | PD030010 | | NO.10-24 KEPS NUT INSTALLATION HARDWARE - QTY. 4 |
| NI | PD020010 | | 10 X 3/8 GREEN GROUNDING SCREW INSTALLATION HARDWARE - QTY. 1 |



| Ref # | Part Number | Qty. | Description |
|-------|-----------------|------|--------------------------------------|
| 1 | A2004096 | | LIGHT SUPT (VIH42) |
| 2 | A2103810 | | THERMODISC BRACKET |
| 3 | B20011033 | | RH SIDE SPACER (VCIH42) 1.73 X 7 |
| 4 | B20011034 | | LH SIDE SPACER (VCIH42) 1.73 X 7 |
| 5 | B20011039 | | FILTER SPACER (VCIH36/42) 8.3438 X 7 |
| 6 | B2003837 | | HEAT SENSOR BRKT |
| 7 | B2003887 | | GREASE TROUGH (VWH4248)/78 |
| 8 | B2004065 | | CTRL PAN REAR (VIH4208) |
| 9 | B2004068 | | CTRL PAN FRONT (VIH4208) |
| 10 | B2004069 | | CTRL PAN TOP (VIH4208) |
| 11 | B2009388 | | I/S SIDE (VCIH4208) |
| 12 | B2009392 | | FILTER SUPPORT TOP (VCIH4208) |
| 13 | B2009396 | | FILTER SUPPORT BOTTOM (VCIH4208) |
| 14 | F0003870 | | 42 - XBRX CUT TO SIZE FRONT/REAR R |
| | PE030121 | | ACCESSORY RAIL - SS |
| 15 | NOT REPLACEABLE | | OVEN CAVITY (NOT REPLACEABLE PART) |
| 16 | G3103955 | | FILTER ASSEMBLY 13.375 X 7 |
| 17 | PA010071 | | LIGHT/MOTOR CONTROLLER KNOB |
| 18 | PC040010 | | POP RIVET |
| 19 | PD010003 | | 10-24 X 1/2 PH.TR.HD.SERD.M.S. |
| 20 | PD020010 | | 10 X 3/8 GREEN GROUNDING SCREW |
| 21 | PD020032 | | SRW-8(A)X3/8PH.WFR HD 7/16DIAXNICL |
| 22 | PD020087 | | 10 X 1/2 PAN PH. TEK ZINC |
| 23 | PD030006 | | CAPPED WASHER PAL NUT |
| 24 | PD040005 | | SNAP BUSHING - 7/8 |
| 25 | PE010142 | | 3 LOGO XBKXXCHROME |
| | PE010144 | | 3 LOGO XWHXCHROME |
| | PE010143 | | 3 LOGO BK/BR |
| | PE010145 | | LOGO - WH / BR |
| 26 | PE020058 | | RATING LABEL (ADHESIVE) |
| 27 | PE030053 | | MIDDLE RAIL SUPPORT - BR |
| | PE030052 | | SUPPORT TUBE, HOLE THROUGH |
| 28 | PE030055 | | END CAP - BR |
| | PE030054 | | END CAP - SS |
| 29 | PE030077 | | BR `S` HOOKS REPL PV100012BR |
| | PE030076 | | CHROME S HOOKS REPL PV100012SS |
| 30 | PE040131 | | CTRL PNL GRPH REPL (30/3610 36/4208) |
| 31 | PE050032 | | LIGHT SOCKET, (571V) |
| 32 | PE050034 | | HALOGEN BULB 50W |
| 33 | PE050048 | | FAN/LIGHT SWITCH (HOODS) EP0M11J |
| 34 | PE050156 | | PRO BLOWER CONTROL |
| 35 | PE050141 | | PRO LIGHT CONTROL |
| 36 | PE070196 | | FEMALE SOCKET (2 PRONG) |
| 37 | PE070197 | | MALE SOCKET (3 PRONG) |
| 38 | PE070381 | | VIH36/42 WIRE HARNESS |
| 39 | PF030337 | | HOOD WARNING LABEL |
| 40 | PD020009 | | 10 X 1 PH. HD. PAN HD. SMS |
| | | | INSTALLATION HARDWARE - QTY. 6 |
| NI | PD030010 | | NO.10-24 KEPS NUT |
| | | | INSTALLATION HARDWARE - QTY. 4 |
| NI | PD020010 | | 10 X 3/8 GREEN GROUNDING SCREW |
| | | | INSTALLATION HARDWARE - QTY. 1 |



| Ref # | Part Number | Qty. | Description |
|-------|-----------------|------|--------------------------------------|
| 1 | A2004096 | | LIGHT SUPT (VIH42) |
| 2 | A2103810 | | THERMODISC BRACKET |
| 3 | B20011033 | | RH SIDE SPACER (VCIH42) 1.73 X 7 |
| 4 | B20011034 | | LH SIDE SPACER (VCIH42) 1.73 X 7 |
| 5 | B20011039 | | FILTER SPACER (VCIH36/42) 8.3438 X 7 |
| 6 | B2003837 | | HEAT SENSOR BRKT |
| 7 | B2003887 | | GREASE TROUGH (VWH4248)/78 |
| 8 | B2004065 | | CTRL PAN REAR (VIH4208) |
| 9 | B2004068 | | CTRL PAN FRONT (VIH4208) |
| 10 | B2004069 | | CTRL PAN TOP (VIH4208) |
| 11 | B2009388 | | I/S SIDE (VCIH4208) |
| 12 | B2009392 | | FILTER SUPPORT TOP (VCIH4208) |
| 13 | B2009396 | | FILTER SUPPORT BOTTOM (VCIH4208) |
| 14 | F0003870 | | 42 - XBRX CUT TO SIZE FRONT/REAR R |
| | PE030121 | | ACCESSORY RAIL - SS |
| 15 | F0003877 | | SIDE RAIL - BRASS |
| | F0003878 | | ISLAND HOOD XSSX SIDE RAIL - CUT TO |
| 16 | NOT REPLACEABLE | | OVEN CAVITY (NOT REPLACEABLE PART) |
| 17 | G3103955 | | FILTER ASSEMBLY 13.375 X 7 |
| 18 | PA010071 | | LIGHT/MOTOR CONTROLLER KNOB |
| 19 | PC040010 | | POP RIVET |
| 20 | PD010003 | | 10-24 X 1/2 PH.TR.HD.SERD.M.S. |
| 21 | PD020010 | | 10 X 3/8 GREEN GROUNDING SCREW |
| 22 | PD020032 | | SRW-8(A)X3/8PH.WFR HD 7/16DIAXNICL |
| 23 | PD020087 | | 10 X 1/2 PAN PH. TEK ZINC |
| 24 | PD030006 | | CAPPED WASHER PAL NUT |
| 25 | PD040005 | | SNAP BUSHING - 7/8 |
| 26 | PE010142 | | 3 LOGO XBKXXCHROME |
| | PE010144 | | 3 LOGO XWHXCHROME |
| | PE010143 | | 3 LOGO BK/BR |
| | PE010145 | | LOGO - WH / BR |
| 27 | PE020058 | | RATING LABEL (ADHESIVE) |
| 28 | PE030053 | | MIDDLE RAIL SUPPORT - BR |
| | PE030052 | | SUPPORT TUBE, HOLE THROUGH |
| 29 | PE030055 | | END CAP - BR |
| | PE030054 | | END CAP - SS |
| 30 | PE030077 | | BR `S` HOOKS REPL PV100012BR |
| | PE030076 | | CHROME S HOOKS REPL PV100012SS |
| 31 | PE040131 | | CTRL PNL GRPH REPL (30/3610 36/4208) |
| 32 | PE050032 | | LIGHT SOCKET, (571V) |
| 33 | PE050034 | | HALOGEN BULB 50W |
| 34 | PE050048 | | FAN/LIGHT SWITCH (HOODS) EP0M11J |
| 35 | PE050156 | | PRO BLOWER CONTROL |
| 36 | PE050141 | | PRO LIGHT CONTROL |
| 37 | PE070196 | | FEMALE SOCKET (2 PRONG) |
| 38 | PE070197 | | MALE SOCKET (3 PRONG) |
| 39 | PE070381 | | VIH36/42 WIRE HARNESS |
| 40 | PF030337 | | HOOD WARNING LABEL |
| 41 | PD020009 | | 10 X 1 PH. HD. PAN HD. SMS |
| | | | INSTALLATION HARDWARE - QTY. 6 |
| NI | PD030010 | | NO.10-24 KEPS NUT |
| | | | INSTALLATION HARDWARE - QTY. 4 |
| NI | PD020010 | | 10 X 3/8 GREEN GROUNDING SCREW |
| | | | INSTALLATION HARDWARE - QTY. 1 |



| Ref # | Part Number | Qty. | Description |
|-------|-------------|------|-------------|
|-------|-------------|------|-------------|
