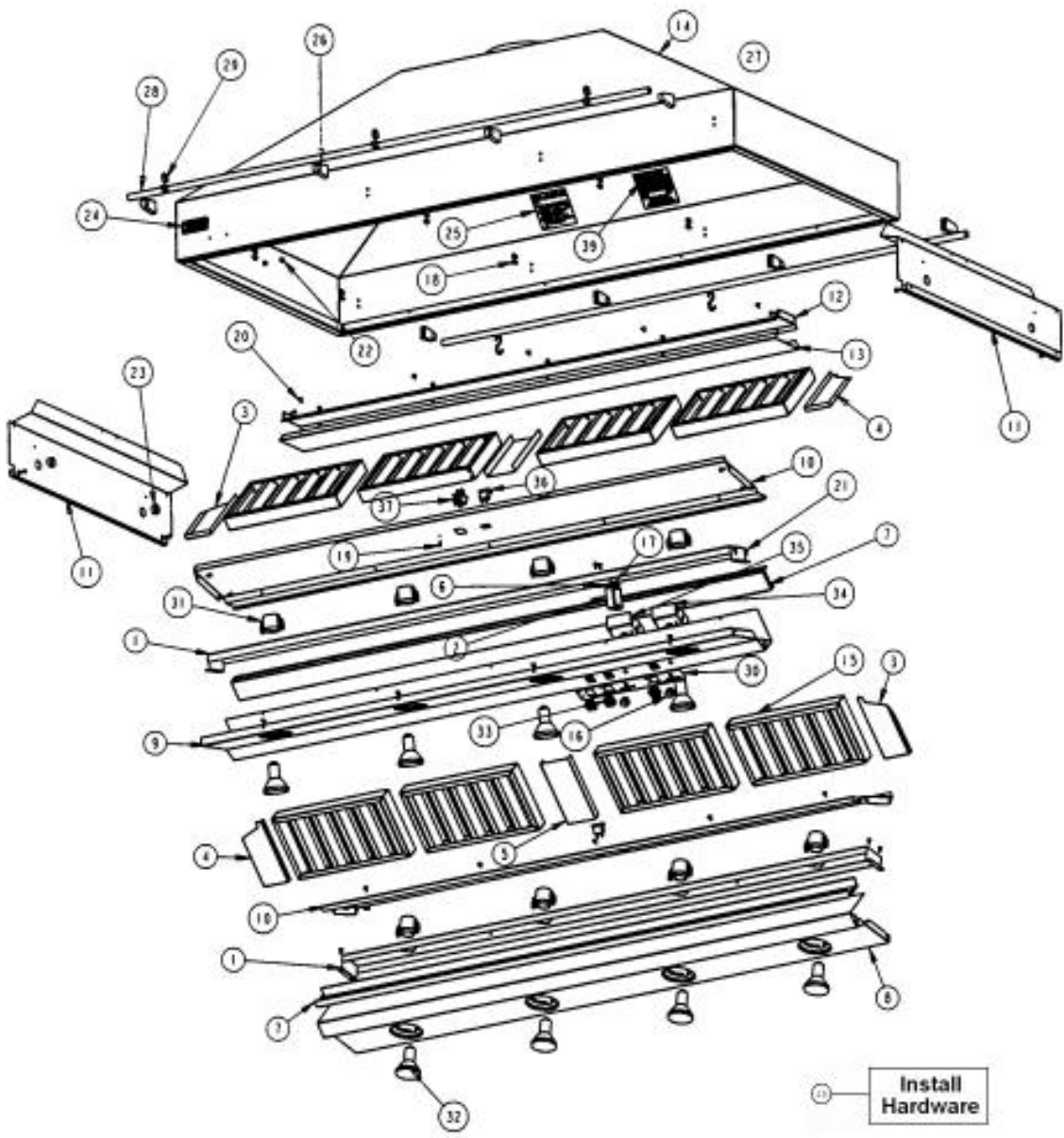
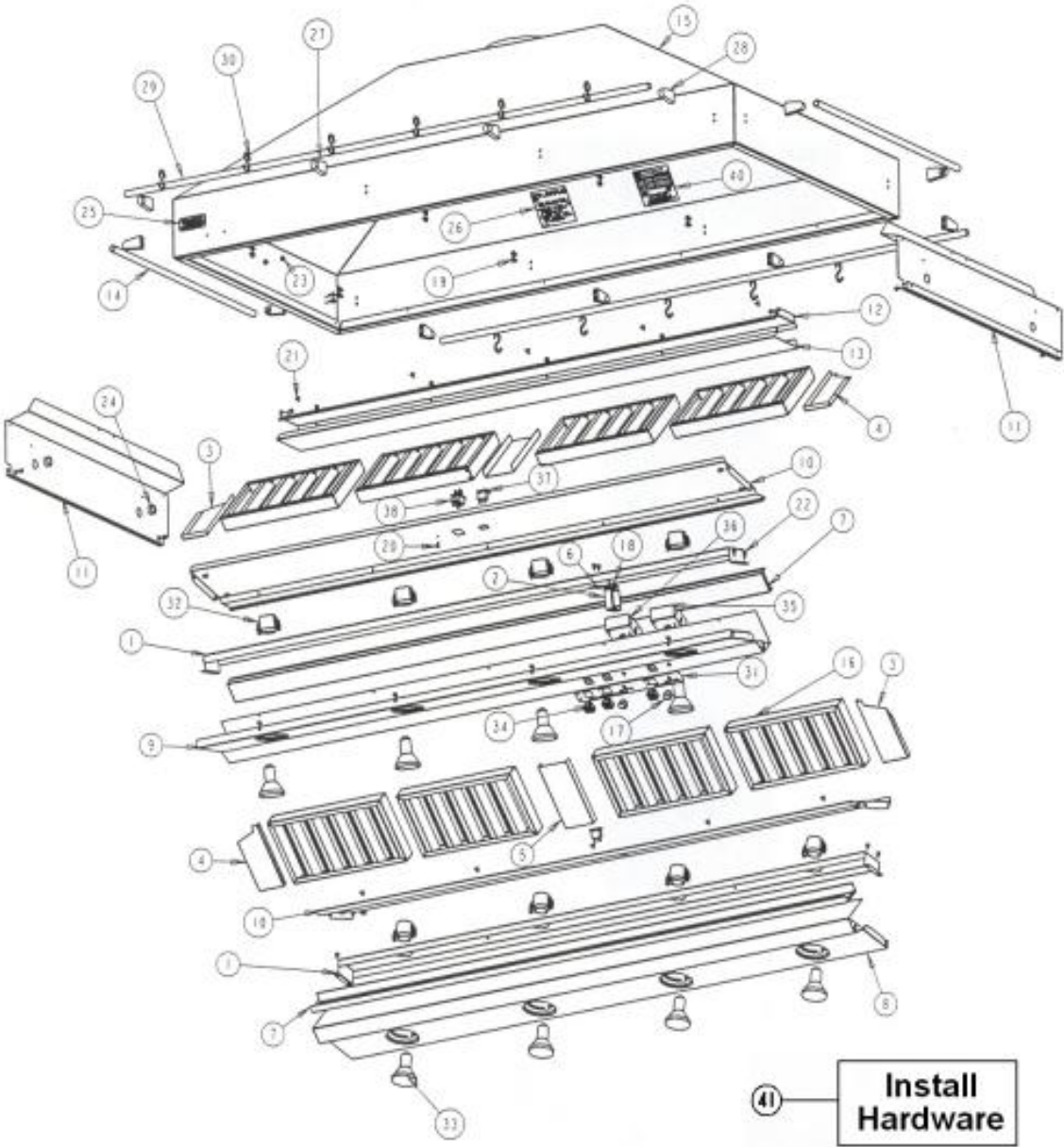


Ref #	Part Number	Qty.	Description
1	A2004098		LIGHT SUPT (VIH66)
2	A2103810		THERMODISC BRACKET
3	B20011037		RH SIDE SPACER (VICV66)
4	B20011038		LH SIDE SPACER (VICV66)
5	B20011040		FILTER SPACER VICV54/66
6	B2003837		HEAT SENSOR BRKT
7	B2003963		GREASE TROUGH (VWH6648/78)
8	B2004082		CTRL PAN REAR (VIH6608)
9	B2004085		CTRL PAN FRONT (VIH6608)
10	B2004087		CTRL PAN TOP (VIH6608)
11	B2009390		I/S SIDE PANEL
12	B2009394		FILTER SUPPORT TOP
13	B2009398		FILTER SUPPORT BOTTOM
14	NOT REPLACEABLE		OVEN CAVITY (NOT REPLACEABLE PART)
15	G3103955		FILTER ASSEMBLY 13.375 X 7
16	PA010071		LIGHT/MOTOR CONTROLLER KNOB
17	PC040010		POP RIVET
18	PD020010		10 X 3/8 GREEN GROUNDING SCREW
19	PD020032		SRW-8(A)X3/8PH.WFR HD 7/16DIA XNICKL
20	PD020087		10 X 1/2 PAN PH. TEK ZINC
21	PD030006		CAPPED WASHER PAL NUT
22	PD040005		SNAP BUSHING - 7/8
23	PE010142		3 LOGO XBKXXCHROME
	PE010144		3 LOGO XWHXCHROME
	PE010143		3 LOGO BK/BR
	PE010145		LOGO - WH / BR
24	PE020058		RATING LABEL (ADHESIVE)
25	PE040132		CONTROL PANEL W/ GRAPHICS
26	PE050032		LIGHT SOCKET, (571V)
27	PE050034		HALOGEN BULB 50W
28	PE050048		FAN/LIGHT SWITCH (HOODS) EP0M11J
29	PE050169		BLOWER CONTROL (DCH30/36)
30	PE050170		LIGHT CONTROL (VIH54/66 DCH30/36 VCIH54/66)
31	PE070196		FEMALE SOCKET (2 PRONG)
32	PE070197		MALE SOCKET (3 PRONG)
33	PE070578		WIRE HARNESS (VCIH66)
34	PF030337		HOOD WARNING LABEL
35	PD020009		10 X 1 PH. HD. PAN HD. SMS INSTALLATION HARDWARE - QTY. 6
NI	PD030010		NO.10-24 KEPS NUT INSTALLATION HARDWARE - QTY. 4
NI	PD020010		10 X 3/8 GREEN GROUNDING SCREW INSTALLATION HARDWARE - QTY. 1



Ref #	Part Number	Qty.	Description
1	A2004098		LIGHT SUPT (VIH66)
2	A2103810		THERMODISC BRACKET
3	B20011037		RH SIDE SPACER (VICV66)
4	B20011038		LH SIDE SPACER (VICV66)
5	B20011040		FILTER SPACER VICV54/66
6	B2003837		HEAT SENSOR BRKT
7	B2003963		GREASE TROUGH (VWH6648/78)
8	B2004082		CTRL PAN REAR (VIH6608)
9	B2004085		CTRL PAN FRONT (VIH6608)
10	B2004087		CTRL PAN TOP (VIH6608)
11	B2009390		I/S SIDE PANEL
12	B2009394		FILTER SUPPORT TOP
13	B2009398		FILTER SUPPORT BOTTOM
14	NOT REPLACEABLE		OVEN CAVITY (NOT REPLACEABLE PART)
15	G3103955		FILTER ASSEMBLY 13.375 X 7
16	PA010071		LIGHT/MOTOR CONTROLLER KNOB
17	PC040010		POP RIVET
18	PD010003		10-24 X 1/2 PH.TR.HD.SERD.M.S.
19	PD020010		10 X 3/8 GREEN GROUNDING SCREW
20	PD020032		SRW-8(A)X3/8PH.WFR HD 7/16DIAXNICL
21	PD020087		10 X 1/2 PAN PH. TEK ZINC
22	PD030006		CAPPED WASHER PAL NUT
23	PD040005		SNAP BUSHING - 7/8
24	PE010142		3 LOGO XBKXXCHROME
	PE010144		3 LOGO XWHXCHROME
	PE010143		3 LOGO BK/BR
	PE010145		LOGO - WH / BR
25	PE020058		RATING LABEL (ADHESIVE)
26	PE030053		MIDDLE RAIL SUPPORT - BR
	PE030052		SUPPORT TUBE, HOLE THROUGH
27	PE030055		END CAP - BR
	PE030054		END CAP - SS
28	PE030069		66 CHROME ACCESSORY RAIL
	PE030068		66 BRASS ACCESSORY RAIL
29	PE030077		BR `S` HOOKS REPL PV100012BR
	PE030076		CHROME S HOOKS REPL PV100012SS
30	PE040132		CONTROL PANEL W/ GRAPHICS
31	PE050032		LIGHT SOCKET, (571V)
32	PE050034		HALOGEN BULB 50W
33	PE050048		FAN/LIGHT SWITCH (HOODS) EP0M11J
34	PE050169		BLOWER CONTROL (DCH30/36)
35	PE050170		LIGHT CONTROL (VIH54/66 DCH30/36 VCIH54/66)
36	PE070196		FEMALE SOCKET (2 PRONG)
37	PE070197		MALE SOCKET (3 PRONG)
38	PE070578		WIRE HARNESS (VCIH66)
39	PF030337		HOOD WARNING LABEL
40	PD020009		10 X 1 PH. HD. PAN HD. SMS
NI	PD030010		INSTALLATION HARDWARE - QTY. 6
			NO.10-24 KEPS NUT
NI	PD020010		INSTALLATION HARDWARE - QTY. 4
			10 X 3/8 GREEN GROUNDING SCREW
			INSTALLATION HARDWARE - QTY. 1



Ref #	Part Number	Qty.	Description
1	A2004098		LIGHT SUPT (VIH66)
2	A2103810		THERMODISC BRACKET
3	B20011037		RH SIDE SPACER (VICV66)
4	B20011038		LH SIDE SPACER (VICV66)
5	B2003940		HOOD FRONT (VWH6048) - ACCESS. RAIL
6	B2003837		HEAT SENSOR BRKT
7	B2003963		GREASE TROUGH (VWH6648/78)
8	B2004082		CTRL PAN REAR (VIH6608)
9	B2004085		CTRL PAN FRONT (VIH6608)
10	B2004087		CTRL PAN TOP (VIH6608)
11	B2009390		I/S SIDE PANEL
12	B2009394		FILTER SUPPORT TOP
13	B2009398		FILTER SUPPORT BOTTOM
14	F0003877		SIDE RAIL - BRASS
	F0003878		ISLAND HOOD XSSX SIDE RAIL - CUT TO
15	NOT REPLACEABLE		OVEN CAVITY (NOT REPLACEABLE PART)
16	G3103955		FILTER ASSEMBLY 13.375 X 7
17	PA010071		LIGHT/MOTOR CONTROLLER KNOB
18	PC040010		POP RIVET
19	PD010003		10-24 X 1/2 PH.TR.HD.SERD.M.S.
20	PD020010		10 X 3/8 GREEN GROUNDING SCREW
21	PD020032		SRW-8(A)X3/8PH.WFR HD 7/16DIA XNCL
22	PD020087		10 X 1/2 PAN PH. TEK ZINC
23	PD030006		CAPPED WASHER PAL NUT
24	PD040005		SNAP BUSHING - 7/8
25	PE010142		3 LOGO XBKXXCHROME
	PE010144		3 LOGO XWHXCHROME
	PE010143		3 LOGO BK/BR
	PE010145		LOGO - WH / BR
26	PE020058		RATING LABEL (ADHESIVE)
27	PE030053		MIDDLE RAIL SUPPORT - BR
	PE030052		SUPPORT TUBE, HOLE THROUGH
28	PE030055		END CAP - BR
	PE030054		END CAP - SS
29	PE030069		66 CHROME ACCESSORY RAIL
	PE030068		66 BRASS ACCESSORY RAIL
30	PE030077		BR `S` HOOKS REPL PV100012BR
	PE030076		CHROME S HOOKS REPL PV100012SS
31	PE040132		CONTROL PANEL W/ GRAPHICS
32	PE050032		LIGHT SOCKET, (571V)
33	PE050034		HALOGEN BULB 50W
34	PE050048		FAN/LIGHT SWITCH (HOODS) EP0M11J
35	PE050169		BLOWER CONTROL (DCH30/36)
36	PE050170		LIGHT CONTROL (VIH54/66 DCH30/36 VCIH54/66)
37	PE070196		FEMALE SOCKET (2 PRONG)
38	PE070197		MALE SOCKET (3 PRONG)
39	PE070578		WIRE HARNESS (VCIH66)
40	PF030337		HOOD WARNING LABEL
41	PD020009		10 X 1 PH. HD. PAN HD. SMS
			INSTALLATION HARDWARE - QTY. 6
NI	PD030010		NO.10-24 KEPS NUT
			INSTALLATION HARDWARE - QTY. 4
NI	PD020010		10 X 3/8 GREEN GROUNDING SCREW
			INSTALLATION HARDWARE - QTY. 1



Ref #	Part Number	Qty.	Description
-------	-------------	------	-------------
