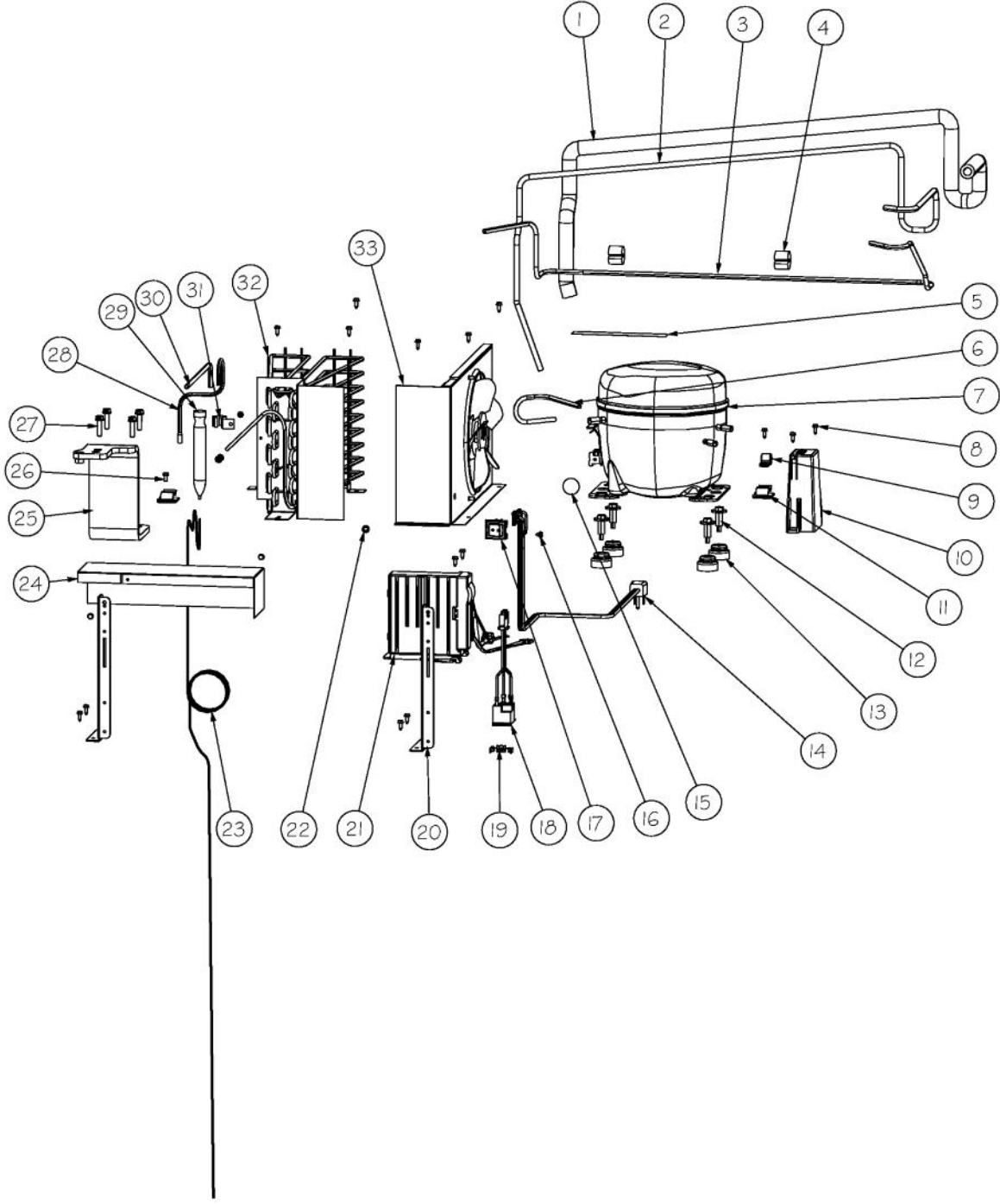
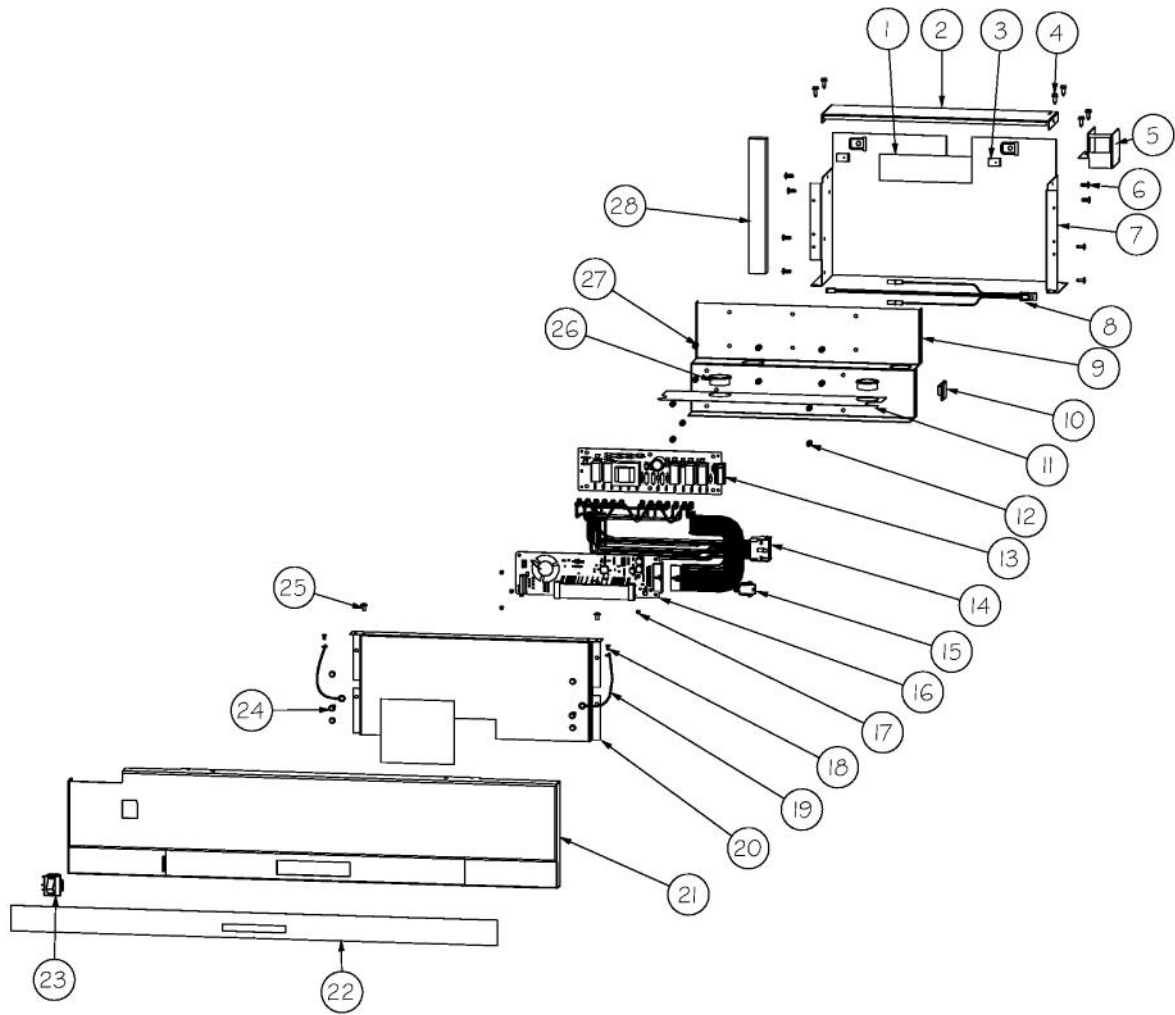


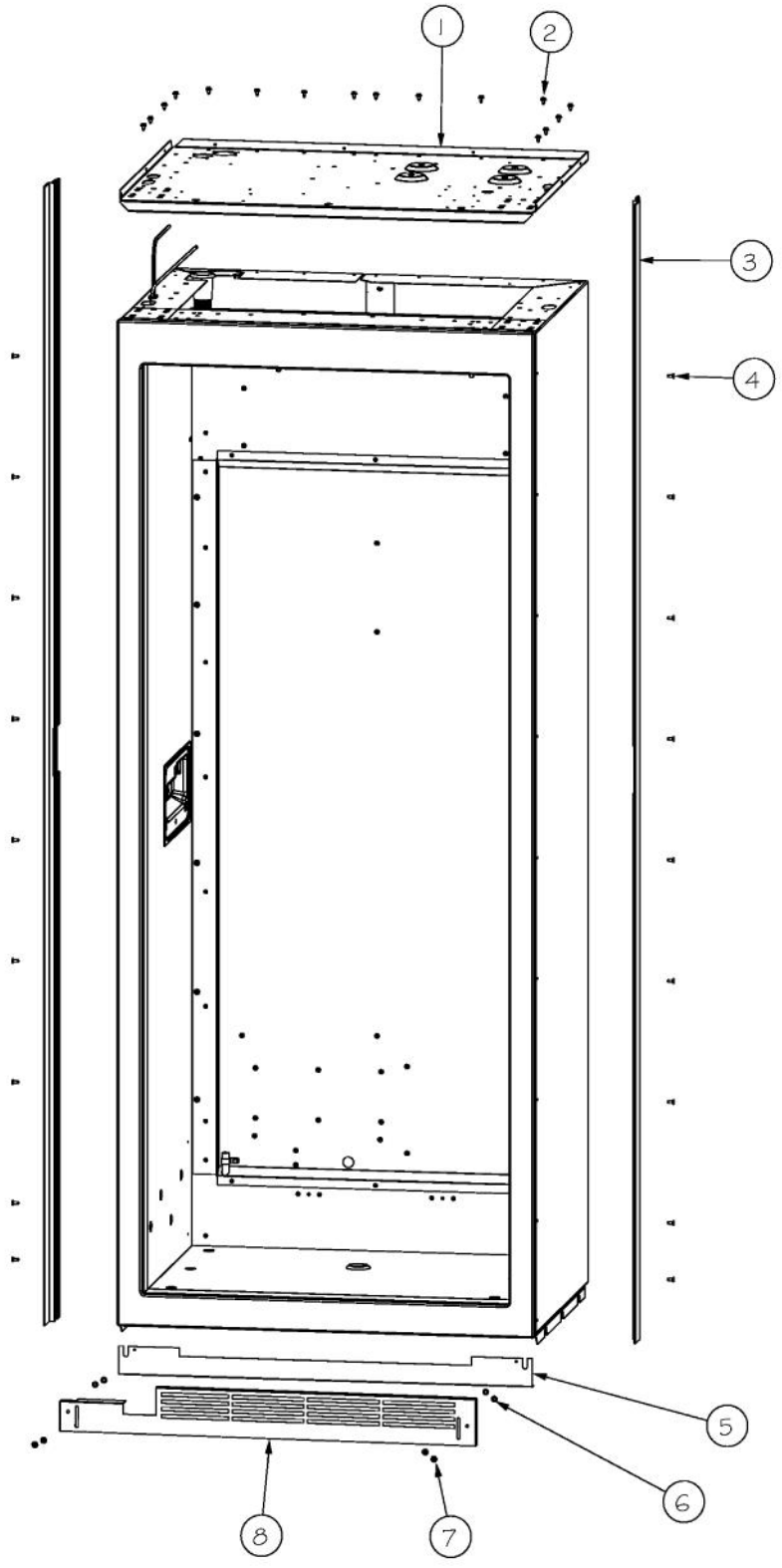
| Ref # | Part Number | Qty. | Description                           |
|-------|-------------|------|---------------------------------------|
| 1     | L2099492    | 1    | BRACKET LIGHT SXS 48 FF               |
| 2     | A3079001    | 4    | LAMP - 40W                            |
| 3     | PE950125    | 4    | LIGHT SOCKET                          |
| 4     | PD020195    | 14   | SCR 8-18 X 5/8                        |
| 5     | PK930268    | 1    | COVER LIGHT ASM AF AR 30 SXS 48 FF    |
| 6     | PM010529    | 2    | SHELF ASM GLASS 30 AR 48 FF           |
| 7     | M0238535    | 12   | SCREW-SM                              |
| 8     | PM910280    | 2    | LADDER SIDE AF 30 36                  |
| 9     | B5733302    | 2    | CLIP-GROUND                           |
| 10    | 10270203    | 2    | HOUSING-LIGHT V10270203               |
| 11    | 000730-000  | 1    | MEAT SAVOR FAN - 3.8 W                |
| NI    | 020822-000  | 1    | FAN RESISTOR KIT                      |
|       |             |      | BEFORE SERIALNo. 110409R00010197      |
| 12    | M0581001    | 16   | GROMMET-SCREW                         |
| 13    | PK930283    | 1    | DUCT MEATSAVOR SPACER                 |
| 14    | PK930172    | 1    | COVER CONTROL MEAT SAVOR              |
| 15    | PK930168    | 1    | DIAL CONTROL MEAT SAVOR               |
| 16    | M0224128    | 1    | SCREW-SM                              |
| 17    | PM910334    | 1    | ROLLER TENSION                        |
| 18    | PK930169    | 1    | DUCT MEAT SAVOR SXS 42/48 R           |
| 19    | PK930175    | 1    | SUPPORT DRAWER MEAT SAVOR SXS 42/48 R |
| 20    | PK930309    | 1    | DRAWER MEAT SAVOR AR 30 SXS 48        |
| 21    | PK930173    | 1    | SUPPORT SLIDE MEAT SAVOR SXS 42/48 R  |
| 22    | PD920162    | 6    | SCR 8-16 PLASTITE PNP 1/4 S           |
| 23    | PM910287    | 1    | SLIDE MEAT SAVOR R                    |
| 24    | PM910288    | 1    | SLIDE MEAT SAVOR L                    |
| 25    | PK930174    | 1    | SUPPORT SLIDE MEAT SAVOR SXS 42/48 L  |
| 26    | PK930176    | 1    | SUPPORT DRAWER MEAT SAVOR 42/48 L     |
| 27    | 020100-000  | 1    | DOOR MEATSAVOR ASM AR 30 SXS 48       |
| 28    | PK930308    | 1    | SHELF MEAT SAVOR AR 30 SXS 48         |
| 29    | PK930284    | 1    | DUCT MEATSAVOR LEFT                   |
| 30    | M0211021    | 11   | SCREW-SM                              |
| 31    | PK930307    | 1    | DUCT MEAT SAVOR AR 30 SXS 48          |
| 32    | G32911938   | 2    | DRAWER DELI ASM SXS AR 30             |
| 33    | G50911937   | 2    | SHELF ASM                             |
| 34    | PK930346    | 2    | COVER LIGHT                           |
| 35    | 012259-000  | 2    | DRAWER PRODUCE ASM AR 30/48           |



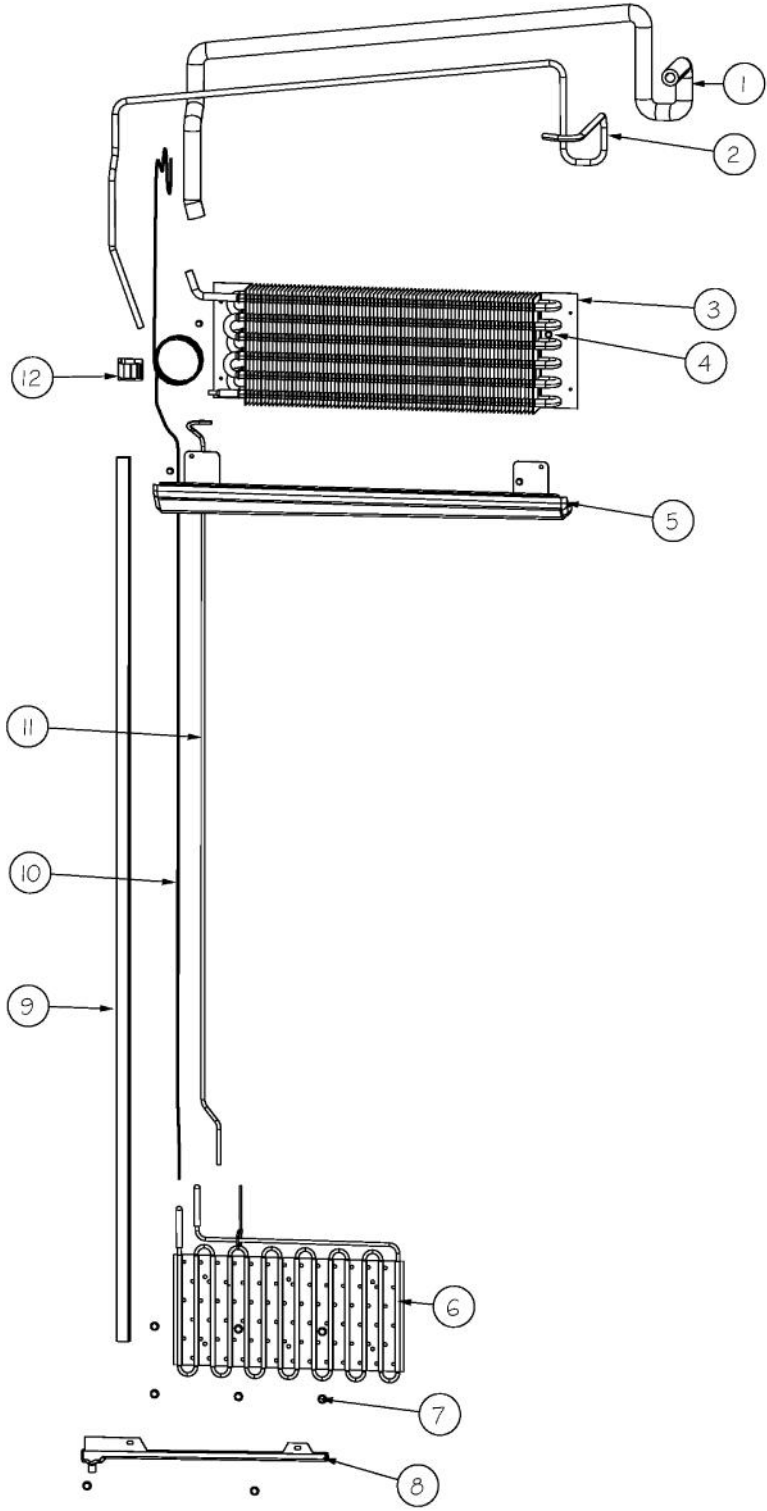
| Ref # | Part Number | Qty. | Description                    |
|-------|-------------|------|--------------------------------|
| 1     | PB970187    | 1    | INSULATION TUBING 57.500       |
| 2     | F20911126   | 1    | TUBE SUCTION AR 30             |
| 3     | F20910729   | 1    | TUBE DISCHARGE FORMED AF AR 36 |
| 4     | 10699601    | 2    | DAMPER-TUBING .8               |
| 5     | C8982701    | 1    | LABEL-COMP WARN                |
| 6     | F2096507    | 1    | TUBE-PROCESS GRN               |
| 7     | PM010620    | 1    | COMPRESSOR VCC                 |
| 8     | PD020194    | 18   | SCREW-SM                       |
| 9     | PD030118    | 1    | SCREW - SHLDR                  |
| 10    | PE970608    | 1    | POWER SUPPLY 24 VDC 15 W       |
| 11    | M0104102    | 2    | CLIP-CORD RED                  |
| 12    | M0221523    | 4    | SCREW - SHLDR                  |
| 13    | 10835901    | 4    | GROMMET RUBBER V10835901       |
| 14    | 10916507C   | 1    | CORD-POWER V10916507           |
| 15    | PF930682    | 1    | LABEL WARNING INVERTER         |
| 16    | M0211014    | 1    | SCREW-SM                       |
| 17    | PE950149    | 1    | SWITCH POWER                   |
| 18    | G50915958   | 1    | ASM AR SABBATH MODE RELAY      |
| 19    | M0327801    | 1    | SPLICE TAP                     |
| 20    | K20912569   | 2    | BRACKET GRILLE SUPPORT         |
| 21    | 002574-000  | 1    | INVERTER COMPRESSOR            |
| 22    | 007407-000  | 2    | RING,LOK, .187 DIA             |
| 23    | F20912567   | 1    | TUBE CAPILLARY FORMED          |
| 24    | K20912570   | 1    | DIVERTER AIR HI SIDE 30        |
| 25    | PC920194    | 1    | HINGE ASSEM UPPER LH           |
| 26    | PD020010    | 1    | 10 X 3/8 GREEN GROUNDING SCREW |
| 27    | 000570-000  | 1    | HEX SCREW                      |
| 28    | 003325-000  | 1    | TUBE DRIER COND.               |
| 29    | PM910381    | 1    | DRIER - HIGH SIDE              |
| 30    | F2097740    | 1    | TUBE PROCESS                   |
| 31    | 10547001    | 1    | CLIP-DRIER V10547001           |
| 32    | PB920171    | 1    | CONDENSER ASM                  |
| 33    | G5096494    | 1    | COND. FAN ASSY                 |



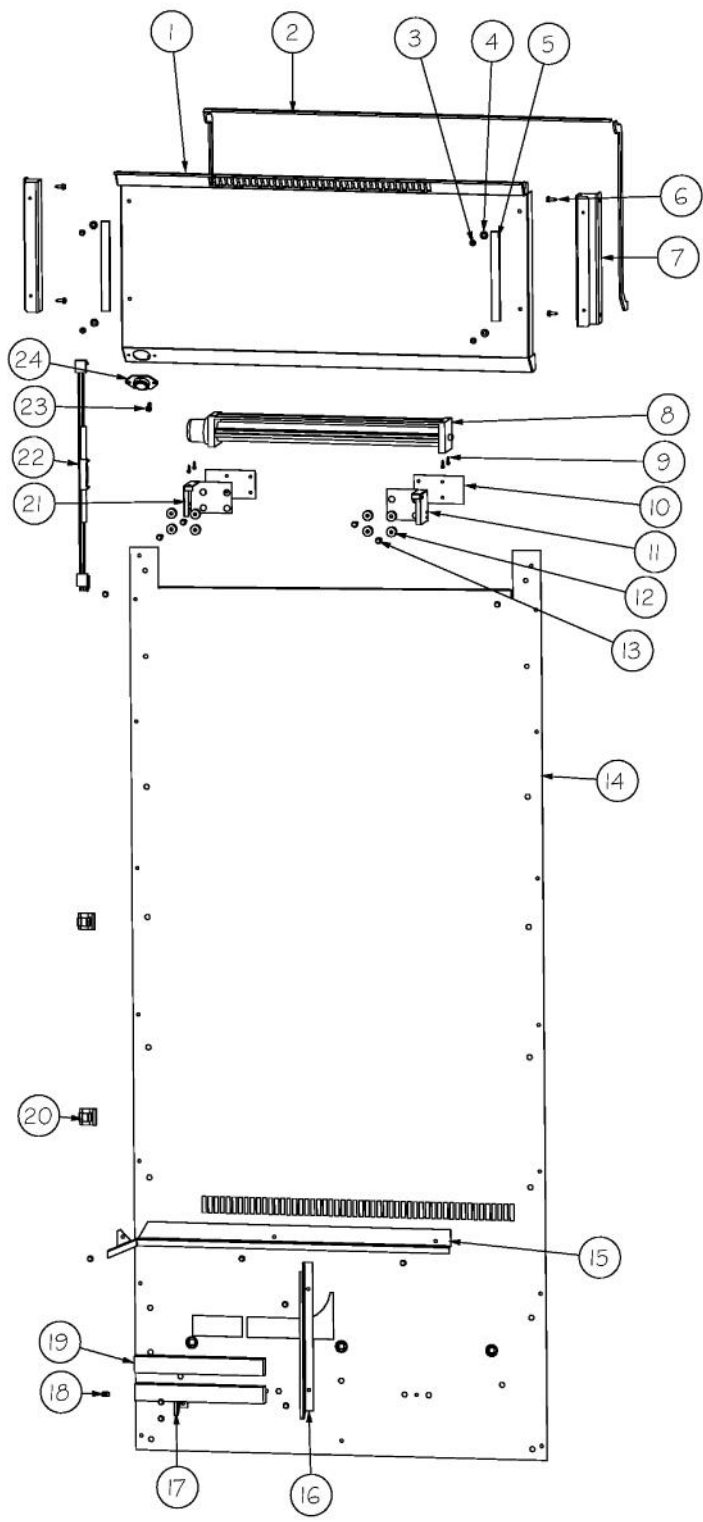
| Ref # | Part Number | Qty. | Description                       |
|-------|-------------|------|-----------------------------------|
| 1     | PF930672    | 2    | LABEL DC COMPRESSOR               |
| 2     | K20915000   | 1    | CONTROL BOX TOP                   |
| 3     | M0288120    | 2    | NUT-SPEED, VM0288120              |
| 4     | PD020194    | 10   | SCREW-SM                          |
| 5     | K2098654    | 1    | BRACKET SWITCH POWER              |
| 6     | PC040010    | 8    | POP RIVET                         |
| 7     | K2099402    | 1    | CONTROL BOX                       |
| 8     | PE970609    | 1    | HARNESS CONTROL BOARD             |
| 9     | K20910060   | 1    | BRACKET - PC                      |
| 10    | M0104106    | 1    | CLIP-CORD VM0104106               |
| 11    | PM910325    | 1    | FILM PROTECTIVE                   |
| 12    | M0585506    | 5    | SUPPORT                           |
| 13    | PE970463    | 1    | POWER CONTROL BOARD               |
| 14    | PE070785    | 1    | HARNESS HIGH VOLT                 |
| 15    | PE970464    | 1    | HARNESS LOW VOLT                  |
| 16    | PE070728    | 1    | BOARD LOW VOLTAGE                 |
| 17    | PD020013    | 4    | TYPE AB NO.6 X 3/8 PH PAN HD. SMS |
| 18    | PC040010    | 2    | POP RIVET                         |
| 19    | 12064001    | 2    | SUPP-CONT PANEL                   |
| 20    | K20910061   | 1    | CONTROL BOX FRONT                 |
| 21    | PK030457    | 1    | PANEL CONTROL AR 30 L             |
| 22    | 010509-000  | 1    | OVERLAY SWITCH AR 30              |
| 23    | PE950122    | 1    | SWITCH                            |
| 24    | M0238846    | 2    | SCREW-SHLDR                       |
| 25    | M0224128    | 2    | SCREW-SM                          |
| 26    | A4554817    | 2    | BUSHING-SNAP VA4554817            |
| 27    | M0585504    | 6    | SUPPORT                           |
| 28    | A3030361    | 1    | GASKET, RED                       |



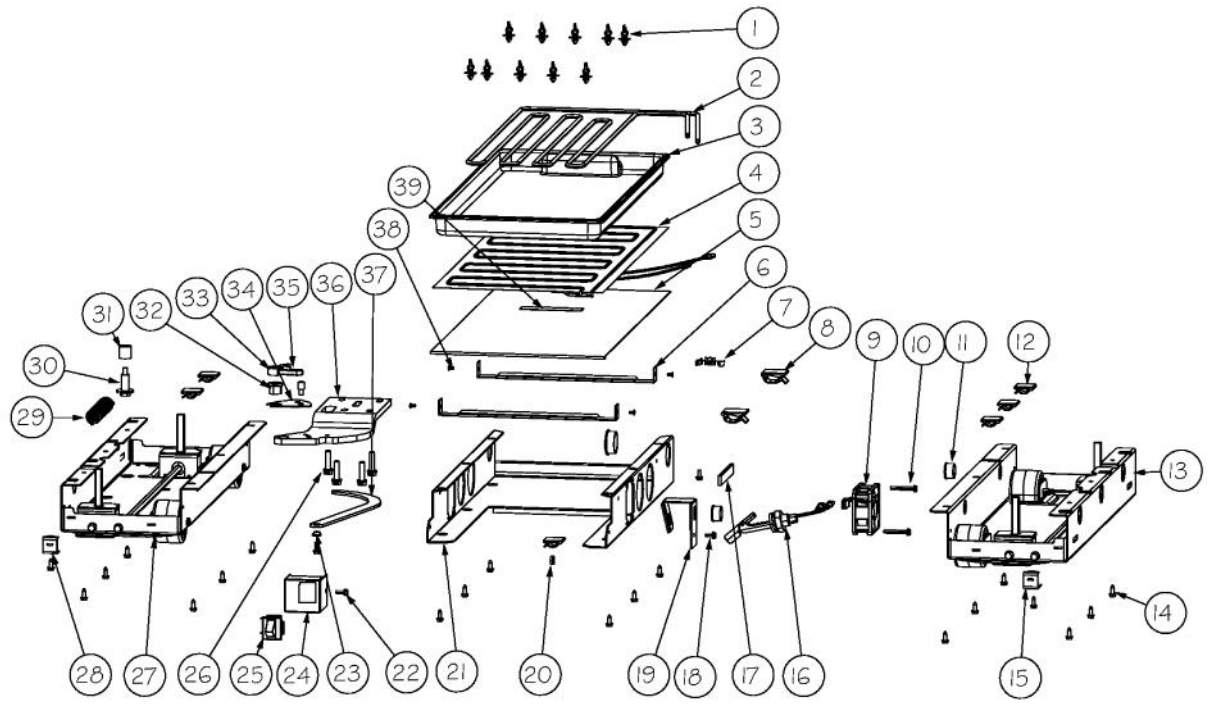
| Ref # | Part Number | Qty. | Description                 |
|-------|-------------|------|-----------------------------|
| 1     | K2099037    | 1    | OC TOP AF AR 30             |
| 2     | PD020193    | 16   | SCR 8-18 X 3/8              |
| 3     | PK910123    | 2    | SIDE TRIM - PRO             |
| 4     | M0215318    | 18   | SCREW-SM                    |
| 5     | 000206-002  | 1    | KICKPLATE, LWR              |
| 6     | 40370P01    | 4    | NYLON FLAT WASHER V40370P01 |
| 7     | M0210443    | 4    | SCREW-E SM                  |
| 8     | C20910752   | 1    | GRILLE TOE VENTED 30 LH     |



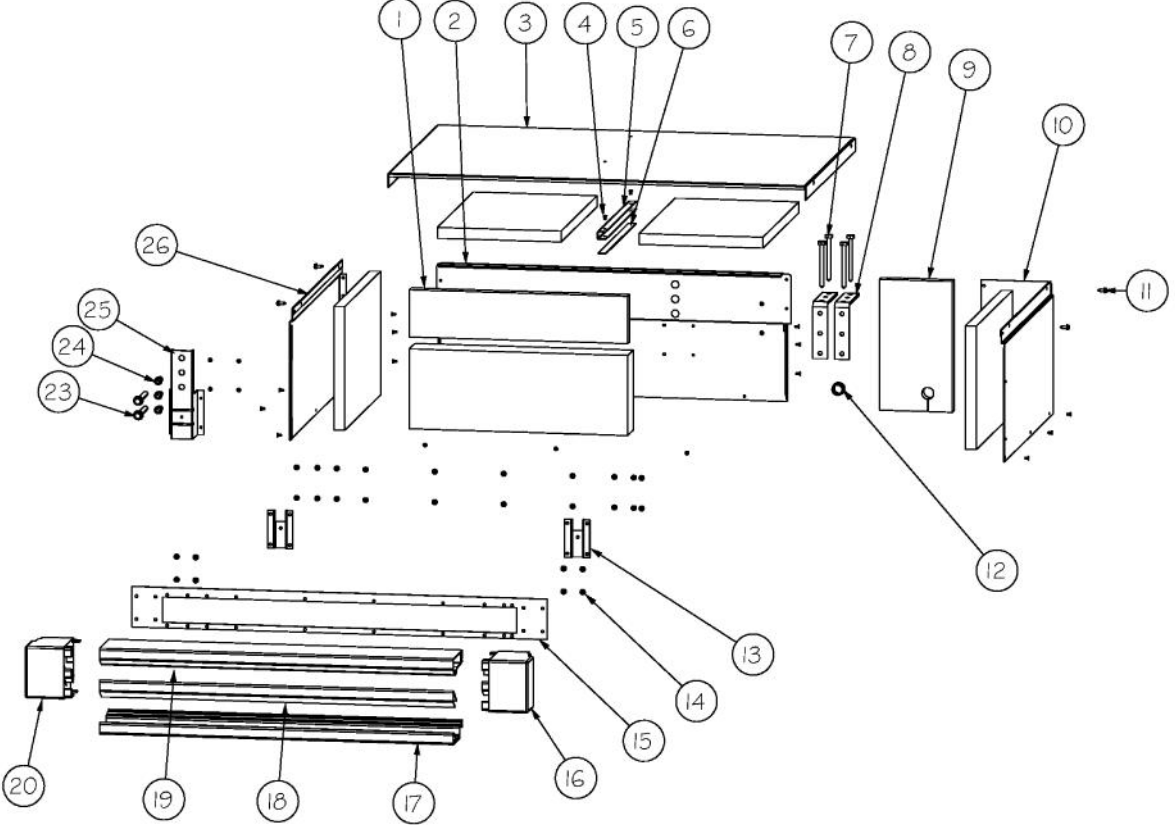
| Ref # | Part Number | Qty. | Description                        |
|-------|-------------|------|------------------------------------|
| 1     | PB970188    | 1    | INSULATION TUBING 45.000           |
| 2     | F20911126   | 1    | TUBE SUCTION AR 30                 |
| 3     | PM910457    | 1    | EVAPORATOR AR 36 30                |
| 4     | PD020194    | 4    | SCREW-SM                           |
| 5     | G50914188   | 1    | DRAIN PAN ASM UPPER AR30           |
| 6     | PM910496    | 1    | MS HEAT EXCH ASM AR 36 30          |
| 7     | PD020032    | 8    | SRW-8(A)X3/8PH.WFR HD 7/16DIAXNICL |
| 8     | PK030445    | 1    | PAN DRAIN LOWER EVAP AR 30 36      |
| 9     | PK030446    | 1    | DRAIN VERTICAL AR 30 36            |
| 10    | F20912567   | 1    | TUBE CAPILLARY FORMED              |
| 11    | F20913719   | 1    | TUBE EVAP AR 30                    |
| 12    | M0104102    | 1    | CLIP-CORD RED                      |



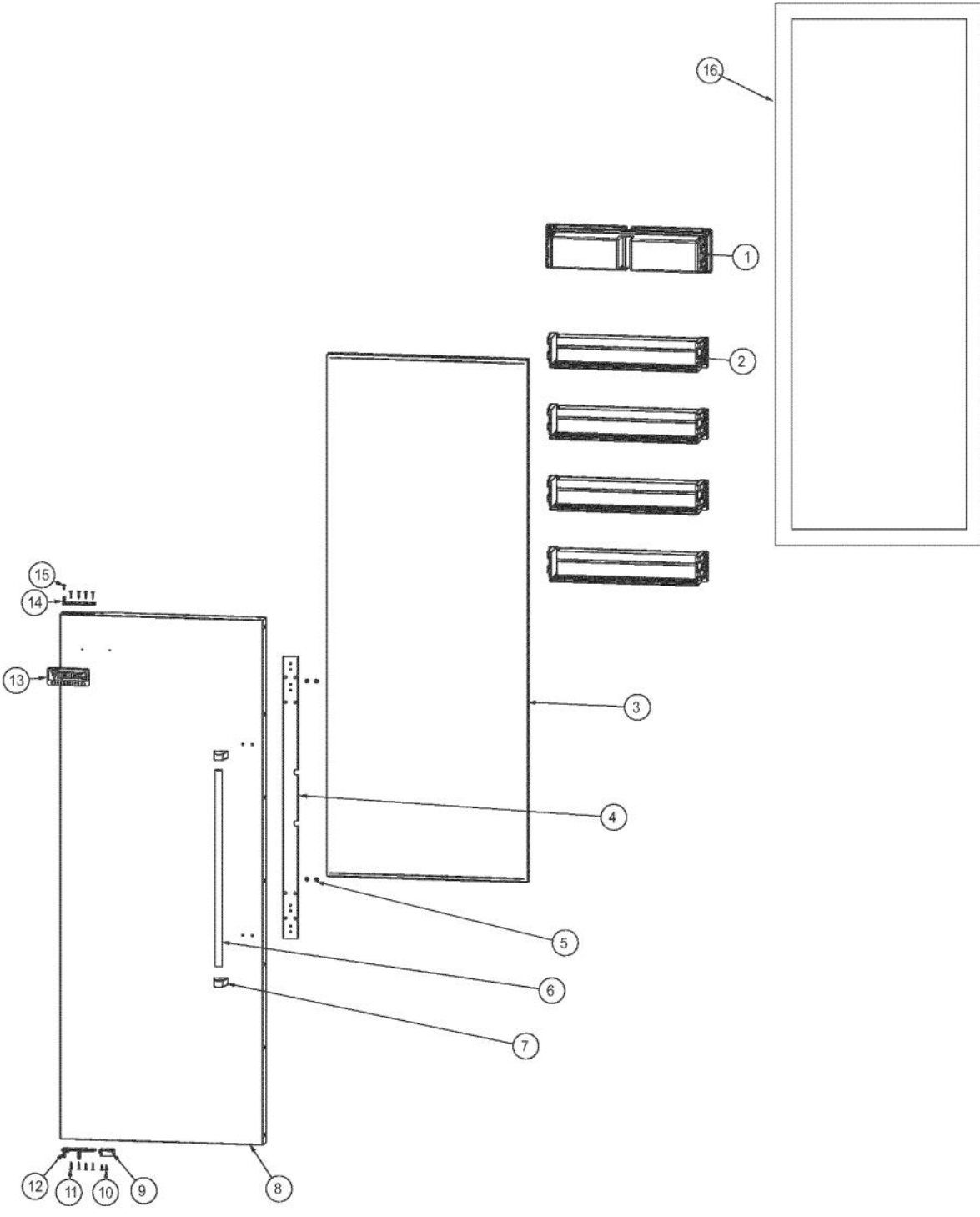
| Ref # | Part Number | Qty. | Description                           |
|-------|-------------|------|---------------------------------------|
| 1     | L20914101   | 1    | COVER EVAP AR 30                      |
| 2     | 020928-000  | 1    | COVER, EVAP, ASM, AIR, HDLG, AR, 30   |
| 3     | PD020238    | 4    | SCR WH HEX WSHR HD SLTD NO.8-18 X 1/2 |
| 4     | PD040150    | 4    | WASHER FLAT NYLON NO.10               |
| 5     | PB070288    | 2    | 1/4 X 1/2 CLOSED CELL SPONGE          |
| 6     | PD020194    | 13   | SCREW-SM                              |
| 7     | K20914102   | 2    | ANGLE UPR EVAP MNT AR 30 36           |
| 8     | PE950154    | 1    | FAN EVAP HORIZ AF AR 30               |
| 9     | PD020013    | 3    | TYPE AB NO.6 X 3/8 PH PAN HD. SMS     |
| 10    | B10914128   | 2    | SPACER FAN AR 36/30                   |
| 11    | K20914130   | 1    | BRKT, FAN MTG RT AR 30                |
| 12    | 12234001    | 8    | GROMMET-VIBRATION                     |
| 13    | M0238859    | 4    | SCREW-SHLDR                           |
| 14    | L20910734   | 1    | COVER LARGE SUMP AR 30                |
| 15    | L20913709   | 1    | DIVIDER AIR AR 30                     |
| 16    | K20912393   | 1    | PLATE BAFFLE VERTICAL AR 30           |
| 17    | K20912394   | 1    | PLATE BAFFLE VERTICAL SMALL AR 30     |
| 18    | 12115101    | 1    | CLAMP-TUBE V12115101                  |
| 19    | A3030361    | 1    | GASKET, RED                           |
| 20    | M0104106    | 2    | CLIP-CORD VM0104106                   |
| 21    | K20914131   | 1    | BRKT, FAN MTG LT AR 30                |
| 22    | PE970641    | 1    | JUMPER FAN RESISTOR                   |
| 23    | PD020010    | 1    | 10 X 3/8 GREEN GROUNDING SCREW        |
| 24    | C8983701    | 1    | THERMISTOR                            |



| Ref # | Part Number | Qty. | Description                     |
|-------|-------------|------|---------------------------------|
| 1     | PD030146    | 1    | STAND OFF LOCK CLIP             |
| 2     | F2099927    | 1    | SERPENTINE AF AR 30             |
| 3     | PK930347    | 1    | PAN-DRAIN AF AR 30              |
| 4     | PE070823    | 1    | PAN HEATER AFAR 30              |
| 5     | L20915602WH | 1    | TRAY PAN HEATER AF/AR 30        |
| 6     | K20911832   | 1    | BRACKET CONDENSATE SUPPORT      |
| 7     | M0327801    | 1    | SPLICE TAP                      |
| 8     | M0104102    | 2    | CLIP-CORD RED                   |
| 9     | 000731-000  | 1    | AXIAL FAN                       |
| 10    | PD020274    | 2    | SCR SLTD HEX WSHR HD 8X1.250 BT |
| 11    | A4554806    | 2    | BUSHING-SNAP VA4554806          |
| 12    | M0104106    | 4    | CLIP-CORD VM0104106             |
| 13    | PM910398    | 1    | LEVELER ASSEMBLY - R            |
| 14    | PD020194    | 13   | SCREW-SM                        |
| 15    | K2098044    | 1    | BRKT GRILLE SUPPORT             |
| 16    | PE050248    | 1    | FLOAT SWITCH HORIZONTAL         |
| 17    | PF930654    | 1    | LABEL CONDENSATE FAN SERVICE    |
| 18    | M0253916    | 1    | SCREW-TF                        |
| 19    | B20915627   | 1    | BRACKET HORIZ FLOAT SWITCH      |
| 20    | G50915603   | 1    | PAN HEATER ASM AF/AR 30         |
| 21    | K20915953   | 1    | SHIELD BOTTOM DRAIN             |
| 22    | M0220417    | 2    | SCREW-TC                        |
| 23    | PD940094    | 1    | BUSHING                         |
| 24    | 002668-000  | 1    | SWITCH,GRILLE,MT,LH             |
| 25    | PE950147    | 1    | SWITCH SPST NC BLACK            |
| 26    | 000570-000  | 2    | HEX SCREW                       |
| 27    | PM910399    | 1    | LEVELER MODULE L                |
| 28    | K2098096    | 1    | BRKT GRILLE SUPPORT             |
| 29    | PC910015    | 1    | SPRING EXTENSION                |
| 30    | M0221523    | 1    | SCREW - SHLDR                   |
| 31    | PD940107    | 1    | ROUND SPRING SPACER             |
| 32    | PD940090    | 1    | BUSHING - WC DOOR LEVEL         |
| 33    | PD940091    | 1    | BUSHING - DOOR STOP             |
| 34    | PC920144    | 1    | PLATE - WC DOOR SHIM            |
| 35    | PC920145    | 1    | PIN - DOOR STOP                 |
| 36    | PC020289    | 1    | HINGE PLATE LL                  |
| 37    | PC920149    | 1    | BAR-WC BOT HINGE LH             |
| 38    | PC040010    | 1    | POP RIVET                       |
| 39    | PF031268    | 1    | LABEL HEATER PAN AF/AR 30       |
| NI    | PK930424    | 1    | VALVE POP UP ASM                |



| Ref # | Part Number | Qty. | Description                                 |
|-------|-------------|------|---|
| 1     | PB070355    | 6    | INSULATION MC COVER                         |
| 2     | K2099932    | 1    | MC BACK 30                                  |
| 3     | K2099930    | 1    | MC TOP 30                                   |
| 4     | PC040010    | 23   | POP RIVET                                   |
| 5     | K2099455    | 1    | SUPPORT MC Z                                |
| 6     | G5099928    | 1    | MC COVER COMPLETE ASM 30                    |
| 7     | M0223509    | 4    | SCREW-LAG                                   |
| 8     | PK910089    | 2    | BRACKET, ANTI - TIP                         |
| 9     | PB970171    | 1    | MC INSULATION - BACK SIDE                   |
| 10    | K2099459    | 1    | MC SIDE R                                   |
| 11    | PD020194    | 24   | SCREW-SM                                    |
| 12    | A4554806    | 1    | BUSHING-SNAP VA4554806                      |
| 13    | PK050004    | 2    | BRACKET GRILLE                              |
| 14    | M0253916    | 8    | SCREW-TF                                    |
| 15    | 003280-000  | 2    | PLATE,BACK,GRILLE                           |
| 16    | 003260-000  | 1    | ENDCAP,PRO,RH                               |
| 17    | 003279-000  | 1    | EXTRUSION,LOUVER,BOTTOM                     |
| 18    | 003278-000  | 1    | EXTRUSION,LOUVER,MIDDLE                     |
| 19    | 003277-000  | 1    | EXTRUSION,LOUVER,TOP                        |
| 20    | 003274-000  | 1    | ENDCAP,PRO,LH,HINGE                         |
| 23    | PD020233    | 2    | SCR LAG 5/16-9 GX 5/16X7/16 WAF IHXW 3 S ZN |
| 24    | PD040157    | 3    | BEARING SLEEVE                              |
| 25    | K20915675   | 1    | BRACKET PSM                                 |
| 26    | K2099460    | 1    | MC SIDE L                                   |



| Ref # | Part Number | Qty. | Description                       |
|-------|-------------|------|-----------------------------------|
| 1     | V12203602   | 1    | DAIRY MODULE ASM                  |
| 2     | G5099291    | 4    | DOOR BIN ASM SXS 48 FF AND 30 AR  |
| 3     | G5099059    | 1    | DOOR FOAM ASM AR 30               |
| 4     | 013327-000  | 1    | BRACKET,HDL,DES                   |
| 5     | M0204303    | 4    | SCREW-MACH                        |
| 6     | 012891-000  | 1    | HANDLE,PRO                        |
| 7     | 003269-000  | 2    | ENDCAP, PRO, RH, HINGE            |
| NI    | 000268-100  | 2    | HANDLE ENDCAP BRASS               |
| 8     | 009557-000  | 1    | DOOR,SKIN,AF AR 30 PRO LH SS      |
| NI    | 009444-002  | 1    | SKIN,DOOR,AF AR 30 PRO LH (BLACK) |
| NI    | 009444-003  | 1    | SKIN,DOOR,AF AR 30 PRO LH BT      |
| NI    | 009444-004  | 1    | SKIN,DOOR,AF AR 30 PRO LH SG      |
| NI    | 009444-005  | 1    | SKIN,DOOR,AF AR 30 PRO LH GG      |
| NI    | 009444-006  | 1    | SKIN,DOOR,AF AR 30 PRO LH WH      |
| NI    | 009444-007  | 1    | SKIN,DOOR,AF AR 30 PRO LH AL      |
| NI    | 009444-008  | 1    | SKIN,DOOR,AF AR 30 PRO LH BU      |
| NI    | 009444-009  | 1    | SKIN,DOOR,AF AR 30 PRO LH LE      |
| NI    | 009444-010  | 1    | SKIN,DOOR,AF AR 30 PRO LH MJ      |
| NI    | 009444-011  | 1    | SKIN,DOOR,AF AR 30 PRO LH FG      |
| NI    | 009444-012  | 1    | SKIN,DOOR,AF AR 30 PRO LH FG      |
| NI    | 009444-013  | 1    | SKIN,DOOR,AF AR 30 PRO LH CB      |
| NI    | 009444-014  | 1    | SKIN,DOOR,AF AR 30 PRO LH EP      |
| NI    | 009444-015  | 1    | SKIN,DOOR,AF AR 30 PRO LH PL      |
| NI    | 009444-016  | 1    | SKIN,DOOR,AF AR 30 PRO LH CH      |
| NI    | 009444-017  | 1    | SKIN,DOOR,AF AR 30 PRO LH TP      |
| NI    | 009444-018  | 1    | SKIN,DOOR,AF AR 30 PRO LH CW      |
| NI    | 009444-019  | 1    | SKIN,DOOR,AF AR 30 PRO LH OG      |
| NI    | 009444-020  | 1    | SKIN,DOOR,AF AR 30 PRO LH GM      |
| NI    | 009444-021  | 1    | SKIN,DOOR,AF AR 30 PRO LH SA      |
| NI    | 009444-022  | 1    | SKIN,DOOR,AF AR 30 PRO LH SE      |
| NI    | 009444-023  | 1    | SKIN,DOOR,AF AR 30 PRO LH IB      |
| NI    | 009444-024  | 1    | SKIN,DOOR,AF AR 30 PRO LH AR      |
| NI    | 009444-025  | 1    | SKIN,DOOR,AF AR 30 PRO LH RR      |
| NI    | 009444-026  | 1    | SKIN,DOOR,AF AR 30 PRO LH PM      |
| NI    | 009444-027  | 1    | SKIN,DOOR,AF AR 30 PRO LH MS      |
| NI    | 009239-000  | 1    | DOOR,SKIN,AF AR 30 PRO RH SS      |
| NI    | 009413-002  | 1    | SKIN,DOOR,AF AR 30 PRO RH (BLACK) |
| NI    | 009413-003  | 1    | SKIN,DOOR,AF AR 30 PRO RH BT      |
| NI    | 009413-004  | 1    | SKIN,DOOR,AF AR 30 PRO RH SG      |
| NI    | 009413-005  | 1    | SKIN,DOOR,AF AR 30 PRO RH GG      |
| NI    | 009413-006  | 1    | SKIN,DOOR,AF AR 30 PRO RH WH      |
| NI    | 009413-007  | 1    | SKIN,DOOR,AF AR 30 PRO RH AL      |
| NI    | 009413-008  | 1    | SKIN,DOOR,AF AR 30 PRO RH BU      |
| NI    | 009413-009  | 1    | SKIN,DOOR,AF AR 30 PRO RH LE      |
| NI    | 009413-010  | 1    | SKIN,DOOR,AF AR 30 PRO RH MJ      |
| NI    | 009413-011  | 1    | SKIN,DOOR,AF AR 30 PRO RH FG      |
| NI    | 009413-012  | 1    | SKIN,DOOR,AF AR 30 PRO RH VB      |
| NI    | 009413-013  | 1    | SKIN,DOOR,AF AR 30 PRO RH CB      |
| NI    | 009413-014  | 1    | SKIN,DOOR,AF AR 30 PRO RH EP      |
| NI    | 009413-015  | 1    | SKIN,DOOR,AF AR 30 PRO RH PL      |
| NI    | 009413-016  | 1    | SKIN,DOOR,AF AR 30 PRO RH CH      |
| NI    | 009413-017  | 1    | SKIN,DOOR,AF AR 30 PRO RH TP      |
| NI    | 009413-018  | 1    | SKIN,DOOR,AF AR 30 PRO RH CW      |
| NI    | 009413-019  | 1    | SKIN,DOOR,AF AR 30 PRO RH OG      |
| NI    | 009413-020  | 1    | SKIN,DOOR,AF AR 30 PRO RH GM      |
| NI    | 009413-021  | 1    | SKIN,DOOR,AF AR 30 PRO RH SA      |
| NI    | 009413-022  | 1    | SKIN,DOOR,AF AR 30 PRO RH SE      |
| NI    | 009413-023  | 1    | SKIN,DOOR,AF AR 30 PRO RH IB      |
| NI    | 009413-024  | 1    | SKIN,DOOR,AF AR 30 PRO RH AR      |
| NI    | 009413-025  | 1    | SKIN,DOOR,AF AR 30 PRO RH RR      |

| Ref # | Part Number | Qty. | Description                  |
|-------|-------------|------|------------------------------|
| NI    | 009413-025  | 1    | SKIN,DOOR,AF AR 30 PRO RH RR |
| NI    | 009413-026  | 1    | SKIN,DOOR,AF AR 30 PRO RH PM |
| NI    | 009413-027  | 1    | SKIN,DOOR,AF AR 30 PRO RH MS |
| 9     | PD050019    | 1    | STRIKER DOOR SWITCH          |
| 10    | M0210458    | 1    | SCREW-SM                     |
| 11    | PD920174    | 5    | 10-32 TORX HEAD SCREW        |
| 12    | PC020277    | 1    | PIVOT PL ASM LH LW PRO/DES   |
| NI    | PC020276    | 1    | PIVOT PL ASM RH LW PRO/DES   |
| 13    | PE010030    | 1    | LOGO, 6, PRO, BK             |
| NI    | PE010068    | 1    | LOGO, 6, PRO, BK/BR          |
| 14    | PC020279    | 1    | PIVOT PL ASM LH UP PRO/DES   |
| NI    | PC020278    | 1    | PIVOT PL ASM RH UP PRO/DES   |
| 15    | PD020234    | 1    | SCREW THP 10-32 X .500 SS BO |
| 16    | 005448-000  | 1    | GASKET,ASM,30,AFAR           |