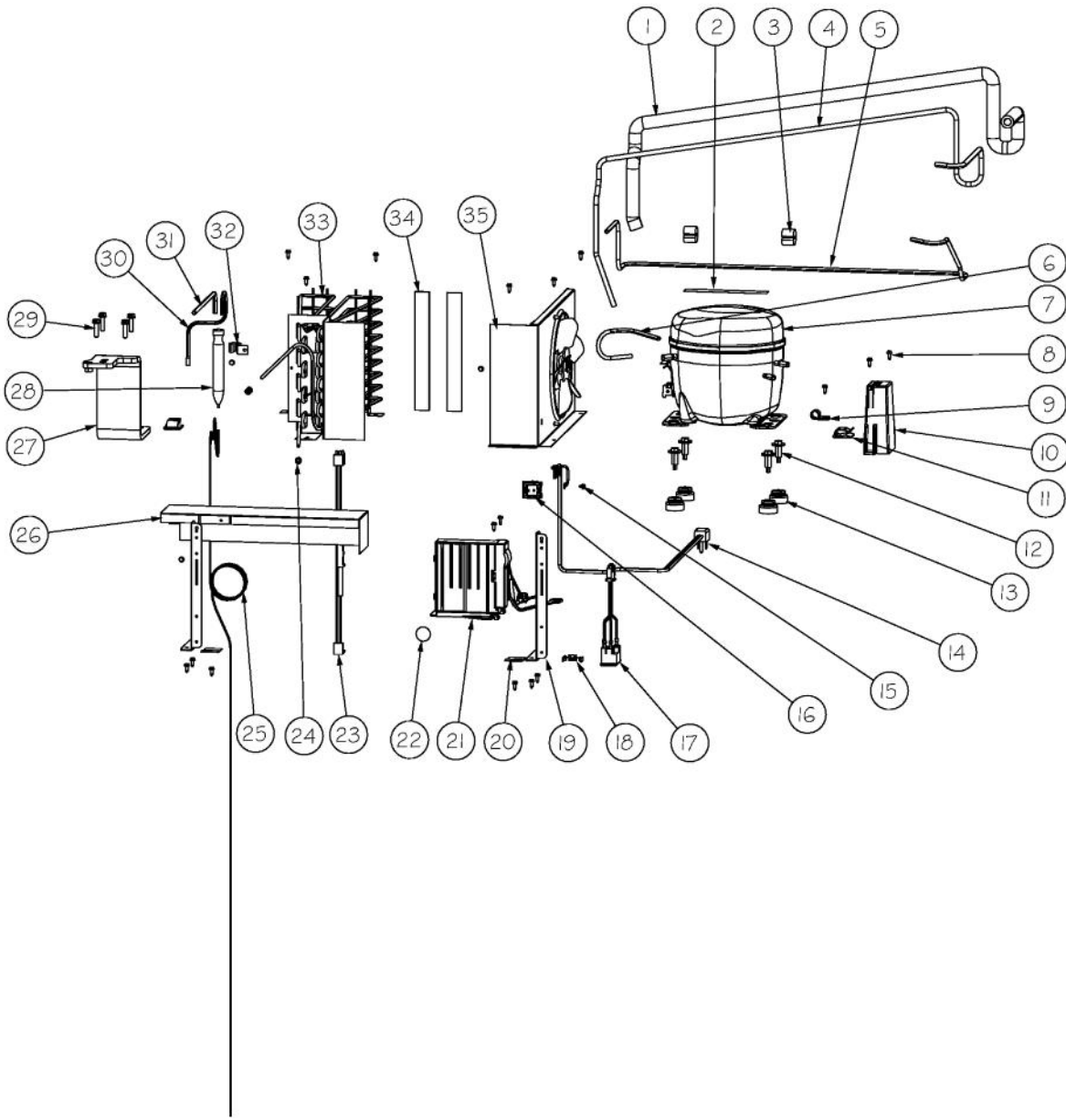
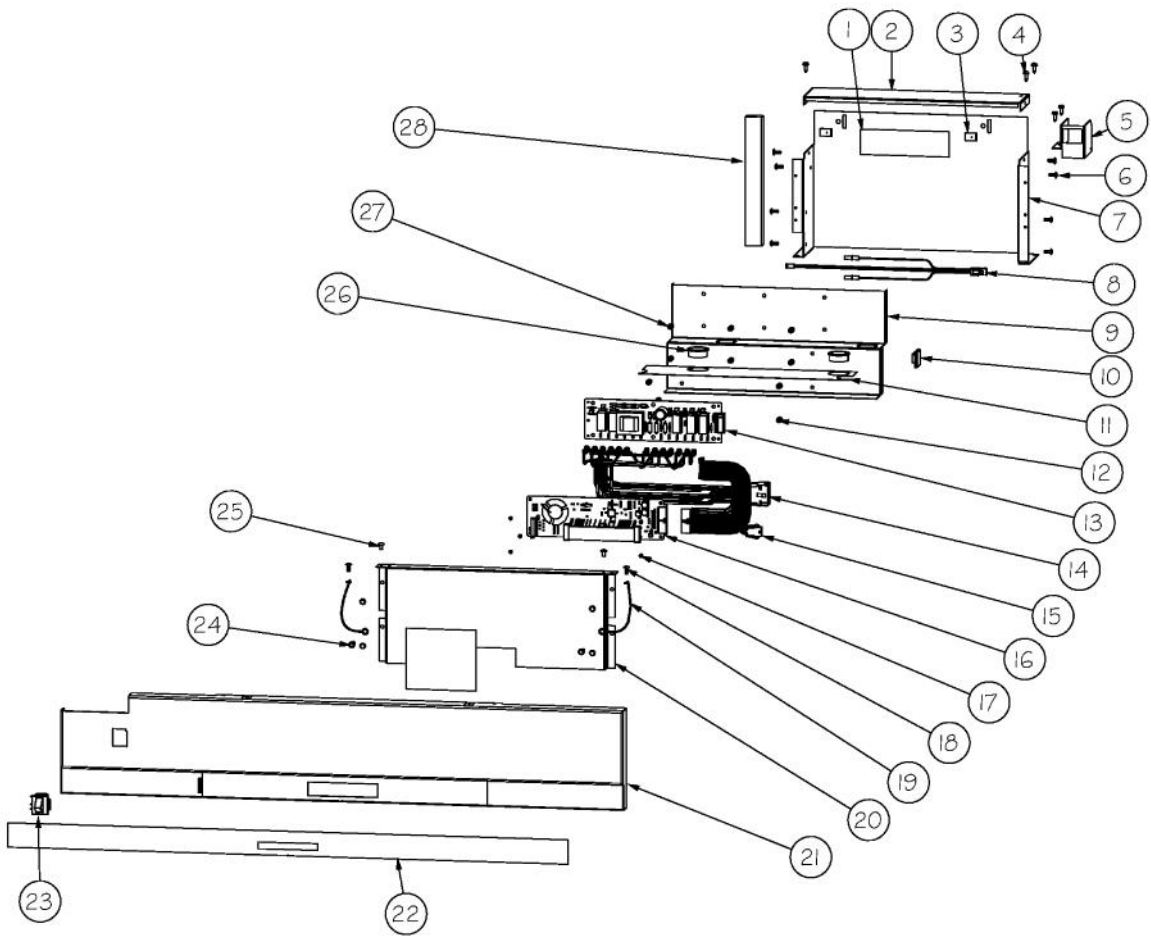


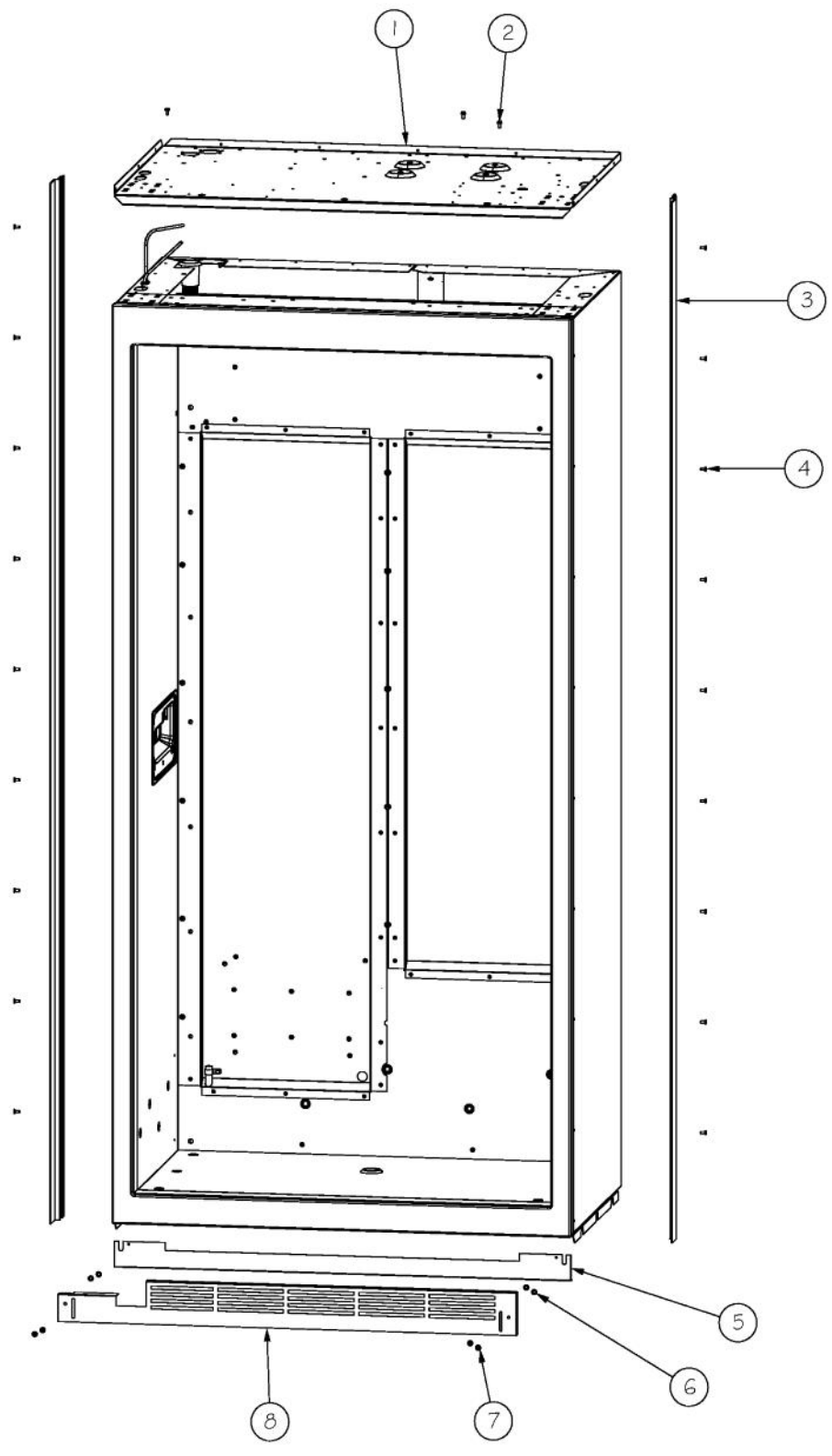
| Ref # | Part Number | Qty. | Description                           |
|-------|-------------|------|---------------------------------------|
| 1     | L20910705   | 1    | BRACKET LIGHT AR 36                   |
| 2     | A3079001    | 6    | LAMP - 40W                            |
| 3     | PE950125    | 6    | LIGHT SOCKET                          |
| 4     | PD020194    | 18   | SCREW-SM                              |
| 5     | PK930267    | 1    | COVER LIGHT ASM AF AR BM 36           |
| 6     | PM910351    | 4    | SHELF ASM GLASS BM 36 FF              |
| 7     | PM910280    | 2    | LADDER SIDE AF 30 36                  |
| 8     | M0238535    | 17   | SCREW-SM                              |
| 9     | B5733302    | 2    | CLIP-GROUND                           |
| 10    | 10270203    | 2    | HOUSING-LIGHT V10270203               |
| 11    | PM910284    | 1    | LADDER CENTER AR 36                   |
| 12    | G50911908   | 2    | SHELF & SLIDE ASM AR 36               |
| 13    | 012396-000  | 2    | DRAWER,PRODUCE,ASM AR 36              |
| 14    | M0581001    | 18   | GROMMET-SCREW                         |
| 15    | PK930283    | 1    | DUCT MEATSAVOR SPACER                 |
| 16    | PK930172    | 1    | COVER CONTROL MEAT SAVOR              |
| 17    | PK930168    | 1    | DIAL CONTROL MEAT SAVOR               |
| 18    | PM910334    | 1    | ROLLER TENSION                        |
| 19    | PK930169    | 1    | DUCT MEAT SAVOR SXS 42/48 R           |
| 20    | G50912334   | 2    | DRAWER DELI ASM AR 36                 |
| 21    | 000730-000  | 1    | MEAT SAVOR FAN - 3.8 W                |
| NI    | 020822-000  | 1    | FAN RESISTOR KIT                      |
|       |             |      | BEFORE SERIALNo. 110409R00010145      |
| 22    | PK930175    | 1    | SUPPORT DRAWER MEAT SAVOR SXS 42/48 R |
| 23    | PK930278    | 1    | DRAWER MEAT SAVOR AR BM 36            |
| 24    | M0224128    | 1    | SCREW-SM                              |
| 25    | PK930173    | 1    | SUPPORT SLIDE MEAT SAVOR SXS 42/48 R  |
| 26    | PD920162    | 6    | SCR 8-16 PLASTITE PNP 1/4 S           |
| 27    | PM910287    | 1    | SLIDE MEAT SAVOR R                    |
| 28    | PM910288    | 1    | SLIDE MEAT SAVOR L                    |
| 29    | PK930174    | 1    | SUPPORT SLIDE MEAT SAVOR SXS 42/48 L  |
| 30    | PK930176    | 1    | SUPPORT DRAWER MEAT SAVOR 42/48 L     |
| 31    | 009916-000  | 1    | MEAT SAVOR LID/DOOR AR/BM36           |
| 32    | PK930286    | 1    | SHELF MEATSAVOR AR/BM 36              |
| 33    | PK930285    | 1    | DUCT MEATSAVOR REAR AR 36             |
| 34    | PK930284    | 1    | DUCT MEATSAVOR LEFT                   |
| 35    | M0211021    | 11   | SCREW-SM                              |
| 36    | PK930346    | 1    | COVER LIGHT                           |



| Ref # | Part Number | Qty. | Description                    |
|-------|-------------|------|--------------------------------|
| 1     | PB970187    | 1    | INSULATION TUBING 57.500       |
| 2     | C8982701    | 1    | LABEL-COMP WARN                |
| 3     | 10699601    | 2    | DAMPER-TUBING .8               |
| 4     | F2099936    | 1    | TUBE SUCTION AR 36             |
| 5     | F20910729   | 1    | TUBE DISCHARGE FORMED AF AR 36 |
| 6     | F2096507    | 1    | TUBE-PROCESS GRN               |
| 7     | PM010620    | 1    | COMPRESSOR VCC                 |
| 8     | PD020194    | 19   | SCREW-SM                       |
| 9     | PD030118    | 1    | SCREW - SHLDR                  |
| 10    | PE970608    | 1    | POWER SUPPLY 24 VDC 15 W       |
| 11    | M0104102    | 2    | CLIP-CORD RED                  |
| 12    | M0221523    | 4    | SCREW - SHLDR                  |
| 13    | 10835901    | 4    | GROMMET RUBBER V10835901       |
| 14    | 10916507    | 1    | TUBE-PROCESS GRN               |
| 15    | M0211014    | 1    | SCREW-SM                       |
| 16    | PE950149    | 1    | SWITCH POWER                   |
| 17    | G50915958   | 1    | ASM AR SABBATH MODE RELAY      |
| 18    | M0327801    | 1    | SPLICE TAP                     |
| 19    | K20912569   | 2    | BRACKET GRILLE SUPPORT         |
| 20    | K2096943    | 2    | PANEL BRACKET                  |
| 21    | 002574-000  | 1    | INVERTER COMPRESSOR            |
| 22    | PF930682    | 1    | LABEL WARNING INVERTER         |
| 23    | PE970641    | 1    | JUMPER FAN RESISTOR            |
| 24    | 007407-000  | 2    | RING,LOK, .187 DIA             |
| 25    | PB920246    | 1    | TUBE CAPILLARY ASM AR 36 30    |
| 26    | K20912361   | 1    | DIVERTER AIR HI SIDE 36        |
| 27    | PC920194    | 1    | HINGE ASSEM UPPER LH           |
| 28    | PM910381    | 1    | DRIER - HIGH SIDE              |
| 29    | 000570-000  | 4    | HEX SCREW                      |
| 30    | 003325-000  | 1    | TUBE DRIER COND.               |
| 31    | F2097740    | 1    | TUBE PROCESS                   |
| 32    | 10547001    | 1    | CLIP-DRIER V10547001           |
| 33    | PB920171    | 1    | CONDENSER ASM                  |
| 34    | A3189370    | 2    | GASKET-FOAM VA3189370          |
| 35    | G5096494    | 1    | COND. FAN ASSY                 |

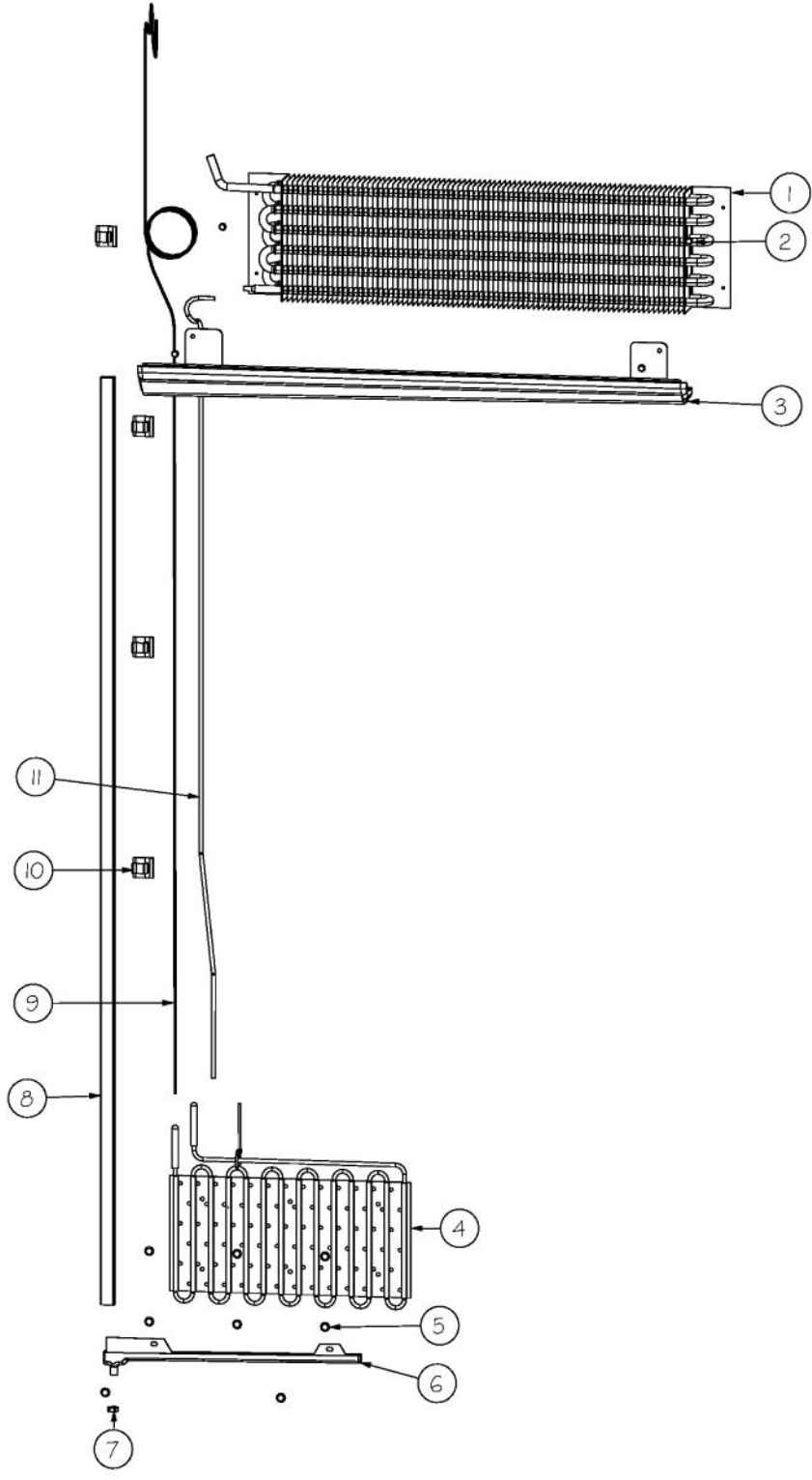


| Ref # | Part Number | Qty. | Description                       |
|-------|-------------|------|-----------------------------------|
| 1     | PF930487    | 1    | TECH LITERATURE LABEL - 2         |
| 2     | K20915000   | 1    | CONTROL BOX TOP                   |
| 3     | M0288120    | 1    | NUT-SPEED, VM0288120              |
| 4     | PD020194    | 7    | SCREW-SM                          |
| 5     | K2098654    | 1    | BRACKET SWITCH POWER              |
| 6     | PC040010    | 8    | POP RIVET                         |
| 7     | K2099402    | 1    | CONTROL BOX                       |
| 8     | PE970609    | 1    | HARNESS CONTROL BOARD             |
| 9     | K20910060   | 1    | BRACKET - PC                      |
| 10    | M0104106    | 1    | CLIP-CORD VM0104106               |
| 11    | 005396-000  | 1    | FILM,PROTECTIVE                   |
| 12    | M0585506    | 4    | SUPPORT                           |
| 13    | 005319-000  | 1    | POWER CONTROL BOARD ASM           |
| 14    | 015365-000  | 1    | HARNESS HIGH VOLT                 |
| 15    | PE970464    | 1    | HARNESS LOW VOLT                  |
| 16    | PE070728    | 1    | BOARD LOW VOLTAGE                 |
| 17    | PD020013    | 5    | TYPE AB NO.6 X 3/8 PH PAN HD. SMS |
| 18    | PC040010    | 2    | POP RIVET                         |
| 19    | 12064001    | 2    | SUPP-CONT PANEL                   |
| 20    | K20910061   | 1    | CONTROL BOX FRONT                 |
| 21    | PK030459    | 1    | PANEL CONTROL AR 36 L             |
| NI    | PK030458    |      | PANEL CONTROL AR 36 R             |
| 22    | 010497-000  | 1    | OVERLAY SWITCH AR 36              |
| 23    | PE950122    | 1    | SWITCH                            |
| 24    | M0238846    | 1    | SCREW-SHLDR                       |
| 25    | M0224128    | 1    | SCREW-SM                          |
| 26    | A4554817    | 2    | BUSHING-SNAP VA4554817            |
| 27    | M0585504    | 6    | SUPPORT                           |
| 28    | A3030361    | 1    | GASKET, RED                       |

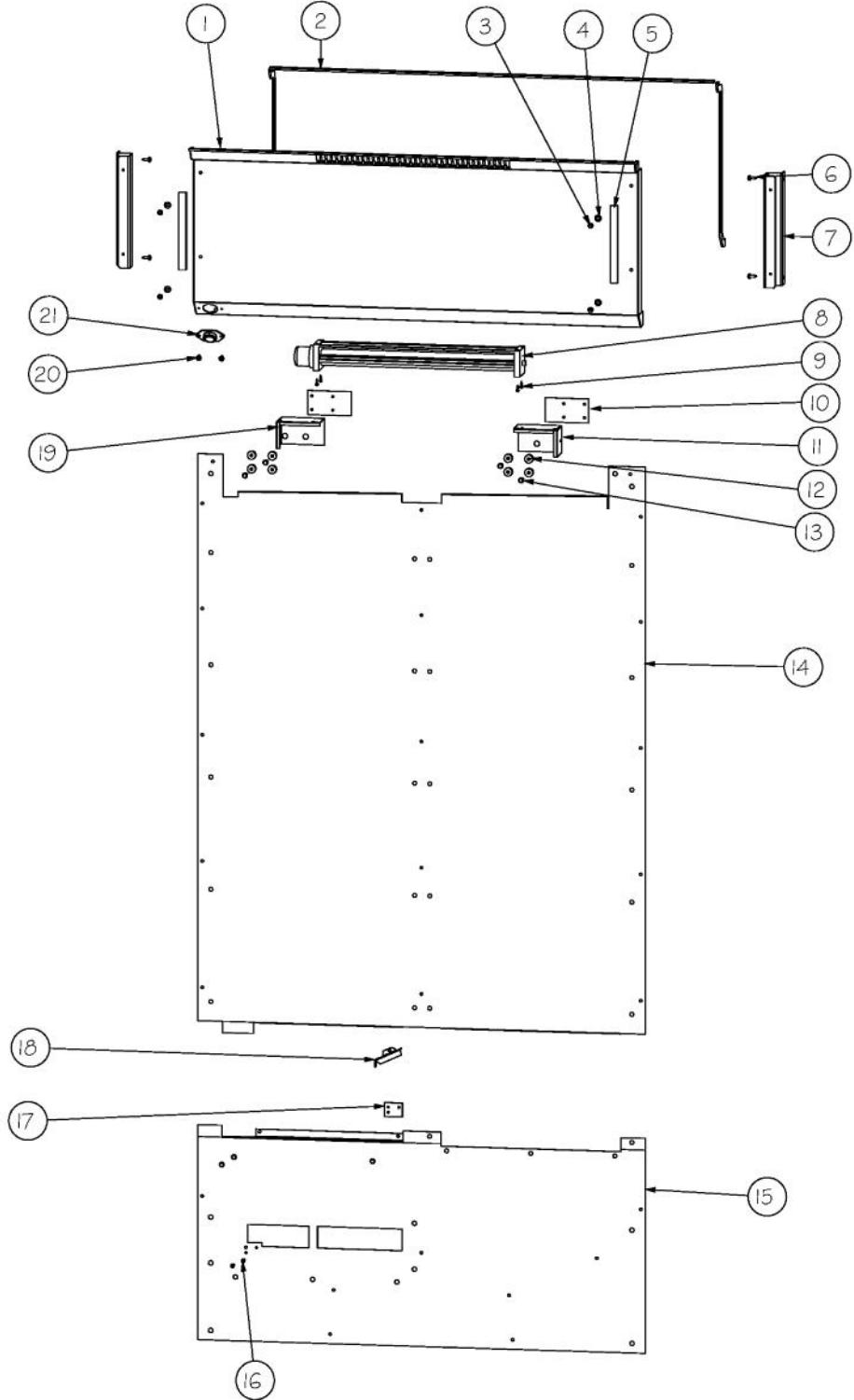


| Ref # | Part Number | Qty. | Description                       |
|-------|-------------|------|-----------------------------------|
| 1     | K2098345    | 1    | OC TOP AF AR 36                   |
| 2     | PD020010    | 3    | 10 X 3/8 GREEN GROUNDING SCREW    |
| 3     | PK910123    | 2    | SIDE TRIM - PRO                   |
| 4     | M0215318    | 18   | SCREW-SM                          |
| 5     | 015559-002  | 1    | SOLID, TOE, GRILLE, 36 AF, AR, BM |
| 6     | 40370P01    | 4    | NYLON FLAT WASHER V40370P01       |
| 7     | M0210443    | 4    | SCREW-E SM                        |
| 8     | 015558-002  | 1    | VENT, TOE, GRILLE, 36 AF, AR, R   |
| NI    | 015557-002  | 1    | VENT, TOE, GRILLE, 36 AF, AR, L   |
| NI    | 015805-000  | 1    | GRILLE, TOE, ASM, 36 AF, AR, R    |
| NI    | 015806-000  | 1    | GRILLE, TOE, ASM, 36 AF, AR, L    |

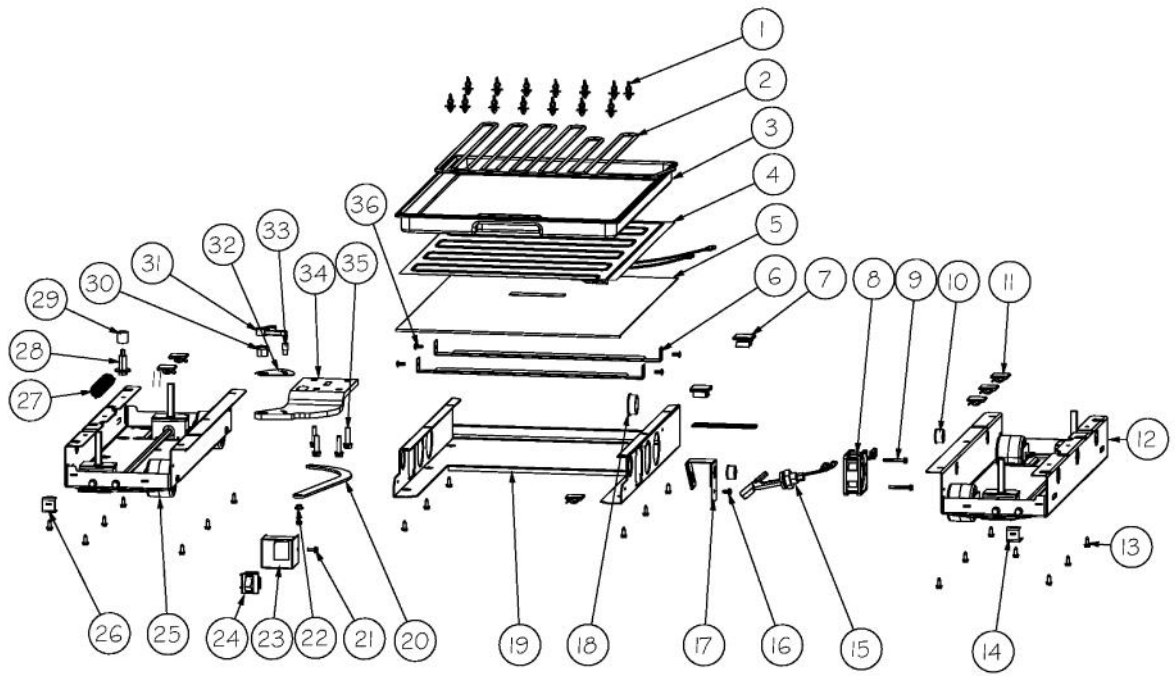




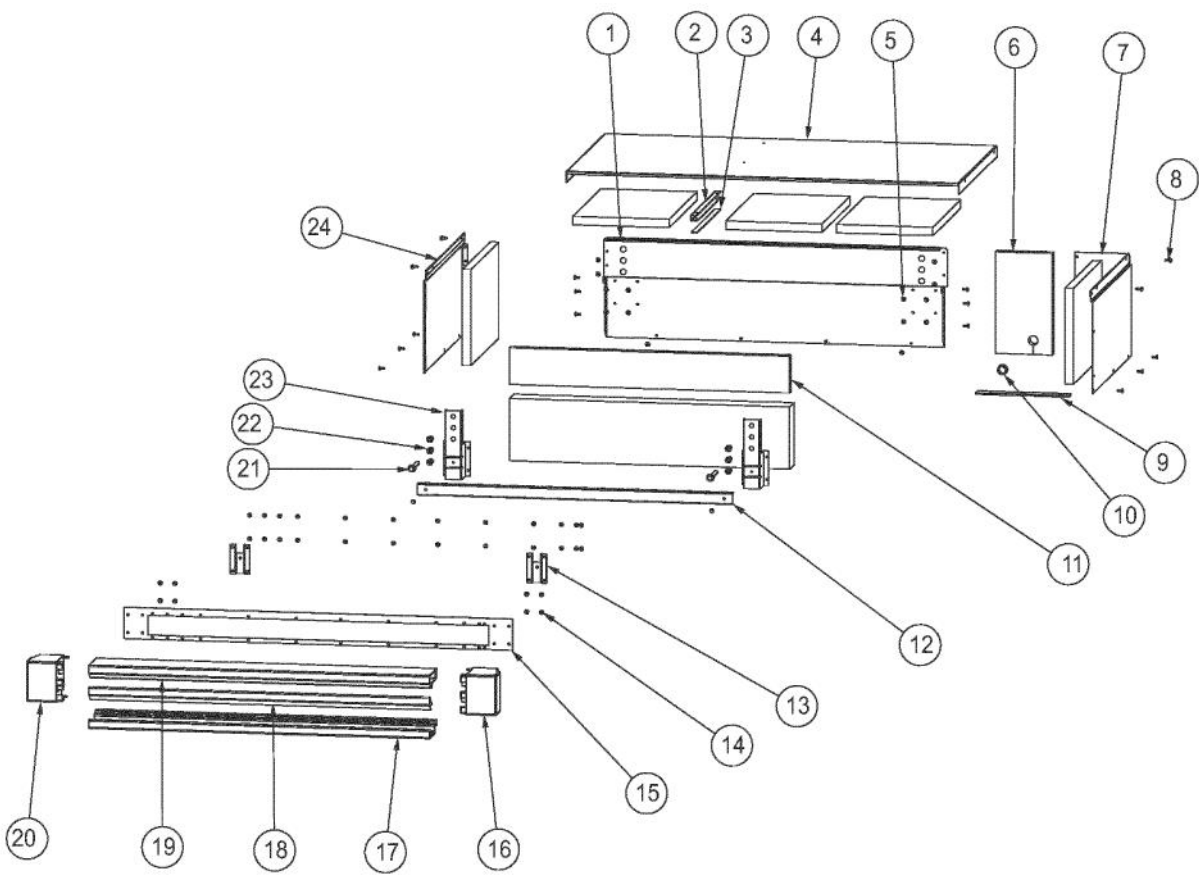
| Ref # | Part Number | Qty. | Description                        |
|-------|-------------|------|------------------------------------|
| 1     | PM910455    | 1    | EVAPORATOR AR 36 30                |
| 2     | PD020194    | 4    | SCREW-SM                           |
| 3     | G50914189   | 1    | DRAIN PAN ASM UPPER AR36           |
| 4     | PM910496    | 1    | MS HEAT EXCH ASM AR 36 30          |
| 5     | PD020032    | 8    | SRW-8(A)X3/8PH.WFR HD 7/16DIAXNICL |
| 6     | PK030445    | 1    | PAN DRAIN LOWER EVAP AR 30 36      |
| 7     | 12115101    | 1    | CLAMP-TUBE V12115101               |
| 8     | PK030446    | 1    | DRAIN VERTICAL AR 30 36            |
| 9     | F20912568   | 1    | CAPILLARY TUBE                     |
| 10    | M0104106    | 4    | CLIP-CORD VM0104106                |
| 11    | F20913720   | 1    | TUBE EVAP AR 36                    |



| Ref # | Part Number | Qty. | Description                           |
|-------|-------------|------|---------------------------------------|
| 1     | L20914100   | 1    | COVER EVAP AR 36                      |
| 2     | 020900-000  | 1    | COVER, EVAP, ASM, AIR, HDLG, AR, 36   |
| 3     | PD020238    | 4    | SCR WH HEX WSHR HD SLTD NO.8-18 X 1/2 |
| 4     | PD040150    | 4    | WASHER FLAT NYLON NO.10               |
| 5     | PB070288    | 2    | 1/4 X 1/2 CLOSED CELL SPONGE          |
| 6     | PD020194    | 7    | SCREW-SM                              |
| 7     | K20914102   | 2    | ANGLE UPR EVAP MNT AR 30 36           |
| 8     | PE950154    | 1    | FAN EVAP HORIZ AF AR 30               |
| 9     | PD020013    | 4    | TYPE AB NO.6 X 3/8 PH PAN HD. SMS     |
| 10    | B10914128   | 2    | SPACER FAN AR 36/30                   |
| 11    | K20914132   | 1    | BRKT, FAN MTG RT AR 36                |
| 12    | 12234001    | 8    | GROMMET-VIBRATION                     |
| 13    | M0238859    | 4    | SCREW-SHLDR                           |
| 14    | L20913712   | 1    | UPPER COVER SUMP                      |
| 15    | L20913716   | 1    | COVER SUMP LOWER AR 36                |
| 16    | B5642901    | 2    | RIVET-W POP                           |
| 17    | K10913714   | 1    | PLATE TAP LWR EVAP CVR AR 36          |
| 18    | L20913713   | 1    | DIVIDER AIR AR 36                     |
| 19    | K20914133   | 1    | BRKT, FAN MTG LT AR 36                |
| 20    | M0211014    | 2    | SCREW-SM                              |
| 21    | C8983701    | 1    | THERMISTOR                            |

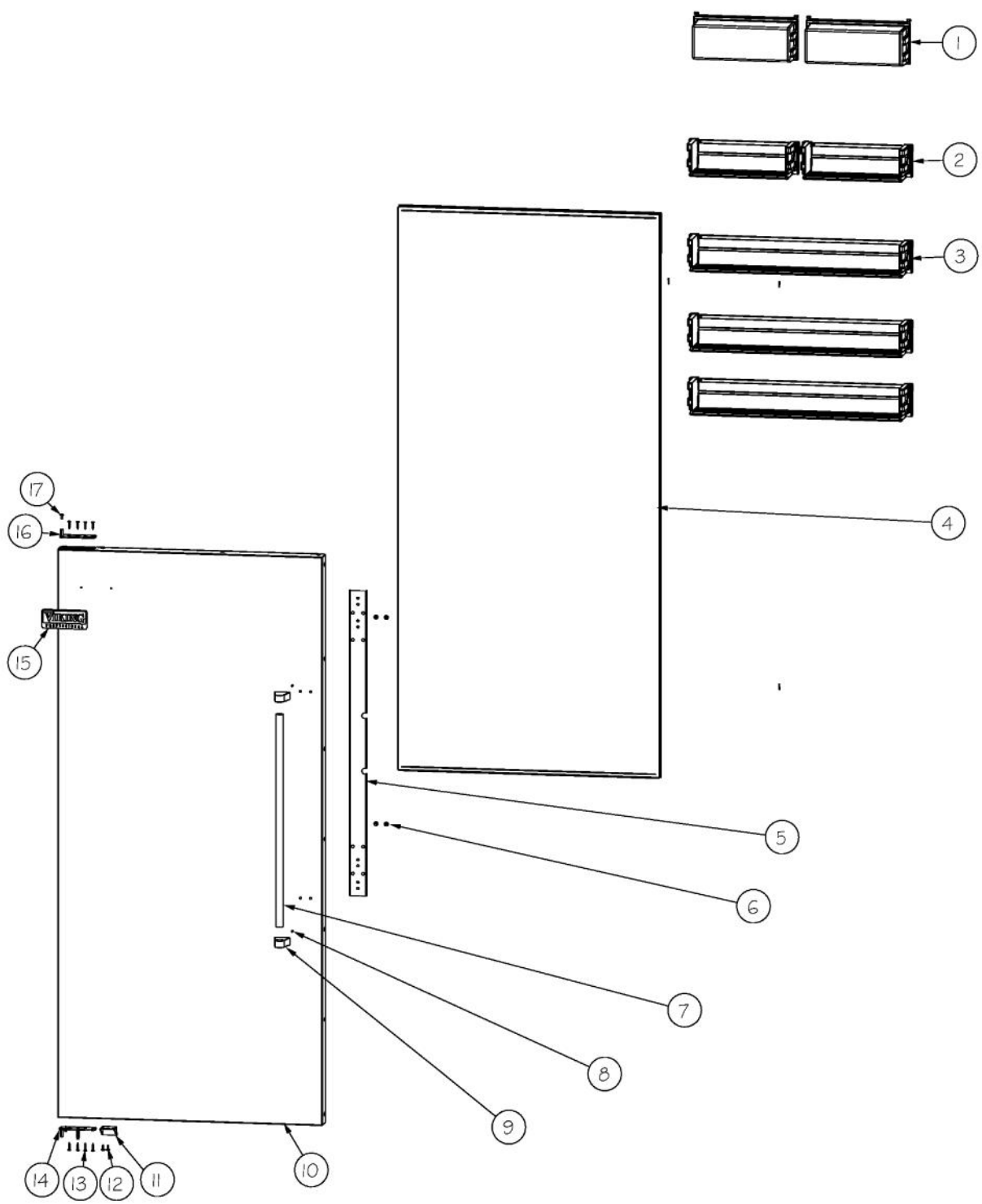


| Ref # | Part Number | Qty. | Description                     |
|-------|-------------|------|---------------------------------|
| 1     | PD030146    | 1    | STAND OFF LOCK CLIP             |
| 2     | F20915696   | 1    | SERPENTINE CONDENSER DRAIN      |
| 3     | PK930348    | 1    | PAN DRAIN                       |
| 4     | PE070707    | 1    | PAN HEATER                      |
| 5     | L20914124WH | 1    | TRAY PAN HEATER                 |
| 6     | K20911831   | 2    | BRACKET CONDENSATE SUPPORT      |
| 7     | M0104102    | 2    | CLIP-CORD RED                   |
| 8     | 000731-000  | 1    | AXIAL FAN                       |
| 9     | PD020274    | 2    | SCR SLTD HEX WSHR HD 8X1.250 BT |
| 10    | A4554806    | 2    | BUSHING-SNAP VA4554806          |
| 11    | M0104106    | 6    | CLIP-CORD VM0104106             |
| 12    | PM910398    | 1    | LEVELER ASSEMBLY - R            |
| 13    | PD020194    | 20   | SCREW-SM                        |
| 14    | K2098044    | 1    | BRKT GRILLE SUPPORT             |
| 15    | PE050248    | 1    | FLOAT SWITCH HORIZONTAL         |
| 16    | M0253916    | 1    | SCREW-TF                        |
| 17    | B20915627   | 1    | BRACKET HORIZ FLOAT SWITCH      |
| 18    | A4554817    | 1    | BUSHING-SNAP VA4554817          |
| 19    | K20915952   | 1    | SHIELD BOTTOM DRAIN             |
| 20    | PC920149    | 1    | BAR-WC BOT HINGE LH             |
| 21    | M0220417    | 2    | SCREW-TC                        |
| 22    | PD940094    | 1    | BUSHING                         |
| 23    | 002668-000  | 1    | SWITCH,GRILLE,MT,LH             |
| 24    | PE950147    | 1    | SWITCH SPST NC BLACK            |
| 25    | PM910399    | 1    | LEVELER MODULE L                |
| 26    | K2098096    | 1    | BRKT GRILLE SUPPORT             |
| 27    | PC910015    | 1    | SPRING EXTENSION                |
| 28    | M0221523    | 1    | SCREW - SHLDR                   |
| 29    | PD940107    | 1    | ROUND SPRING SPACER             |
| 30    | PD940090    | 1    | BUSHING - WC DOOR LEVEL         |
| 31    | PD940091    | 1    | BUSHING - DOOR STOP             |
| 32    | PC920144    | 1    | PLATE - WC DOOR SHIM            |
| 33    | PC920145    | 1    | PIN - DOOR STOP                 |
| 34    | PC920214    | 1    | HINGE PLATE SXS LL              |
| 35    | 000570-000  | 4    | HEX SCREW                       |
| 36    | PC040010    | 3    | POP RIVET                       |
| NI    | PK930424    | 1    | VALVE POP UP ASM                |



| Ref # | Part Number | Qty. | Description                                 |
|-------|-------------|------|---|
| 1     | K2099933    | 1    | MC BACK 36                                  |
| 2     | K2099455    | 1    | SUPPORT MC Z                                |
| 3     | G5099929    | 1    | MC COVER COMPLETE ASM                       |
| 4     | K2099931    | 1    | MC TOP 36                                   |
| 5     | PC040010    | 28   | POP RIVET                                   |
| 6     | PB970171    | 1    | MC INSULATION - BACK SIDE                   |
| 7     | K2099459    | 1    | MC SIDE R                                   |
| 8     | PD020194    | 34   | SCREW-SM                                    |
| 9     | A3189370    | 2    | GASKET-FOAM VA3189370                       |
| 10    | A4554806    | 1    | BUSHING-SNAP VA4554806                      |
| 11    | PB070358    | 1    | INSULATION MC COVER                         |
| 12    | K20915902   | 1    | CROSSMEMBER PSM 36                          |
| 13    | PK050004    | 1    | BRACKET GRILLE                              |
| 14    | M0253916    | 8    | SCREW-TF                                    |
| 15    | 003257-000  | 1    | PLATE,BACK,GRILLE                           |
| 16    | 003260-000  | 1    | ENDCAP,PRO,RH                               |
| 17    | 003268-000  | 1    | EXTRUSION,LOUVER,BOTTOM                     |
| 18    | 003201-000  | 1    | EXTRUSION,LOUVER,MIDDLE                     |
| 19    | 003200-000  | 1    | EXTRUSION,LOUVER,TOP                        |
| 20    | 003274-000  | 1    | ENDCAP,PRO,LH,HINGE                         |
| 21    | PD020233    | 2    | SCR LAG 5/16-9 GX 5/16X7/16 WAF IHXW 3 S ZN |
| 22    | PD040157    | 6    | BEARING SLEEVE                              |
| 23    | K20915675   | 2    | BRACKET PSM                                 |
| 24    | K2099460    | 1    | MC SIDE L                                   |





| Ref # | Part Number | Qty. | Description                       |
|-------|-------------|------|-----------------------------------|
| 1     | V12097404   | 2    | DAIRY MODULE ASM                  |
| 2     | G5099298    | 2    | DOOR BIN ASM FF 36 BM AND AR HALF |
| 3     | G5099297    | 3    | DOOR BIN ASM FF 36 BM AND AR FULL |
| 4     | 007388-000  | 1    | DOOR FOAM ASM AR 36               |
| 5     | 013327-000  | 1    | BRACKET,HDL,DES                   |
| 6     | M0204303    | 4    | SCREW-MACH                        |
| 7     | 012891-000  | 1    | HANDLE,PRO                        |
| 8     | 000270-000  | 2    | SET SCREW                         |
| 9     | 000268-000  | 2    | HANDLE END CAP ASSY               |
| 9     | 000268-100  | 2    | HANDLE ENDCAP BRASS               |
| 10    | 009232-000  |      | SKIN,ASM,AF AR 36 PRO LH SS       |
| NI    | 009229-002  | 1    | SKIN, DOOR, AF AR 36 PRO LH BK    |
| NI    | 009229-003  | 1    | SKIN, DOOR, AF AR 36 PRO LH BT    |
| NI    | 009229-004  | 1    | SKIN, DOOR, AF AR 36 PRO LH SG    |
| NI    | 009229-005  | 1    | SKIN, DOOR, AF AR 36 PRO LH GG    |
| NI    | 009229-006  | 1    | SKIN, DOOR, AF AR 36 PRO LH WH    |
| NI    | 009229-007  | 1    | SKIN, DOOR, AF AR 36 PRO LH AL    |
| NI    | 009229-008  | 1    | SKIN, DOOR, AF AR 36 PRO LH BU    |
| NI    | 009229-009  | 1    | SKIN, DOOR, AF AR 36 PRO LH LE    |
| NI    | 009229-010  | 1    | SKIN, DOOR, AF AR 36 PRO LH MJ    |
| NI    | 009229-011  | 1    | SKIN, DOOR, AF AR 36 PRO LH FG    |
| NI    | 009229-012  | 1    | SKIN, DOOR, AF AR 36 PRO LH VB    |
| NI    | 009229-013  | 1    | SKIN, DOOR, AF AR 36 PRO LH CB    |
| NI    | 009229-014  | 1    | SKIN, DOOR, AF AR 36 PRO LH EP    |
| NI    | 009229-015  | 1    | SKIN, DOOR, AF AR 36 PRO LH PL    |
| NI    | 009229-016  | 1    | SKIN, DOOR, AF AR 36 PRO LH CH    |
| NI    | 009229-017  | 1    | SKIN, DOOR, AF AR 36 PRO LH TP    |
| NI    | 009229-018  | 1    | SKIN, DOOR, AF AR 36 PRO LH CW    |
| NI    | 009229-019  | 1    | SKIN, DOOR, AF AR 36 PRO LH OG    |
| NI    | 009229-020  | 1    | SKIN, DOOR, AF AR 36 PRO LH GM    |
| NI    | 009229-021  | 1    | SKIN, DOOR, AF AR 36 PRO LH SA    |
| NI    | 009229-022  | 1    | SKIN, DOOR, AF AR 36 PRO LH SE    |
| NI    | 009229-023  | 1    | SKIN, DOOR, AF AR 36 PRO LH IB    |
| NI    | 009229-024  | 1    | SKIN, DOOR, AF AR 36 PRO LH AR    |
| NI    | 009229-025  | 1    | SKIN, DOOR, AF AR 36 PRO LH RR    |
| NI    | 009229-026  | 1    | SKIN, DOOR, AF AR 36 PRO LH PM    |
| NI    | 009229-027  | 1    | SKIN, DOOR, AF AR 36 PRO LH MS    |
| NI    | 009235-000  | 1    | SKIN,DOOR,AF AR 36 PRO RH SS      |
| NI    | 009230-002  | 1    | SKIN, DOOR, AF AR 36 PRO RH BK    |
| NI    | 009230-003  | 1    | SKIN, DOOR, AF AR 36 PRO RH BT    |
| NI    | 009230-004  | 1    | SKIN, DOOR, AF AR 36 PRO RH SG    |
| NI    | 009230-005  | 1    | SKIN, DOOR, AF AR 36 PRO RH GG    |
| NI    | 009230-006  | 1    | SKIN, DOOR, AF AR 36 PRO RH WH    |
| NI    | 009230-007  | 1    | SKIN, DOOR, AF AR 36 PRO RH AL    |
| NI    | 009230-008  | 1    | SKIN, DOOR, AF AR 36 PRO RH BU    |
| NI    | 009230-009  | 1    | SKIN, DOOR, AF AR 36 PRO RH LE    |
| NI    | 009230-010  | 1    | SKIN, DOOR, AF AR 36 PRO RH MJ    |
| NI    | 009230-011  | 1    | SKIN, DOOR, AF AR 36 PRO RH FG    |
| NI    | 009230-012  | 1    | SKIN, DOOR, AF AR 36 PRO RH VB    |
| NI    | 009230-013  | 1    | SKIN, DOOR, AF AR 36 PRO RH CB    |
| NI    | 009230-014  | 1    | SKIN, DOOR, AF AR 36 PRO RH EP    |
| NI    | 009230-015  | 1    | SKIN, DOOR, AF AR 36 PRO RH PL    |
| NI    | 009230-016  | 1    | SKIN, DOOR, AF AR 36 PRO RH CH    |
| NI    | 009230-017  | 1    | SKIN, DOOR, AF AR 36 PRO RH TP    |
| NI    | 009230-018  | 1    | SKIN, DOOR, AF AR 36 PRO RH CW    |
| NI    | 009230-019  | 1    | SKIN, DOOR, AF AR 36 PRO RH OG    |
| NI    | 009230-020  | 1    | SKIN, DOOR, AF AR 36 PRO RH GM    |
| NI    | 009230-021  | 1    | SKIN, DOOR, AF AR 36 PRO RH SA    |
| NI    | 009230-022  | 1    | SKIN, DOOR, AF AR 36 PRO RH SE    |
| NI    | 009230-023  | 1    | SKIN, DOOR, AF AR 36 PRO RH IB    |

| Ref # | Part Number | Qty. | Description                    |
|-------|-------------|------|--------------------------------|
| NI    | 009230-023  | 1    | SKIN, DOOR, AF AR 36 PRO RH IB |
| NI    | 009230-024  | 1    | SKIN, DOOR, AF AR 36 PRO RH AR |
| NI    | 009230-025  | 1    | SKIN, DOOR, AF AR 36 PRO RH RR |
| NI    | 009230-026  | 1    | SKIN, DOOR, AF AR 36 PRO RH PM |
| NI    | 009230-027  | 1    | SKIN, DOOR, AF AR 36 PRO RH MS |
| 11    | PD050019    | 1    | STRIKER DOOR SWITCH            |
| 12    | M0210458    | 2    | SCREW-SM                       |
| 13    | PD920174    | 8    | 10-32 TORX HEAD SCREW          |
| 14    | PC020277    | 1    | PIVOT PL ASM LH LW PRO/DES     |
| NI    | 016181-000  | 1    | PIVOT PL ASM RH LW PRO/DES     |
| 15    | PE010030    | 1    | LOGO, 6, PRO, BK               |
| 16    | PC020279    | 1    | PIVOT PL ASM LH UP PRO/DES     |
| NI    | PC020278    | 1    | PIVOT PL ASM RH UP PRO/DES     |
| 17    | PD020234    | 1    | SCREW THP 10-32 X .500 SS BO   |
| NI    | 003296-000  | 1    | EXTRUSION, LOUVER, MIDDLE      |
| NI    | 009232-000  | 1    | SKIN, ASM, AF AR 36 PRO LH SS  |
| NI    | 005447-000  | 1    | GASKET, ASM, 36, AFAR          |