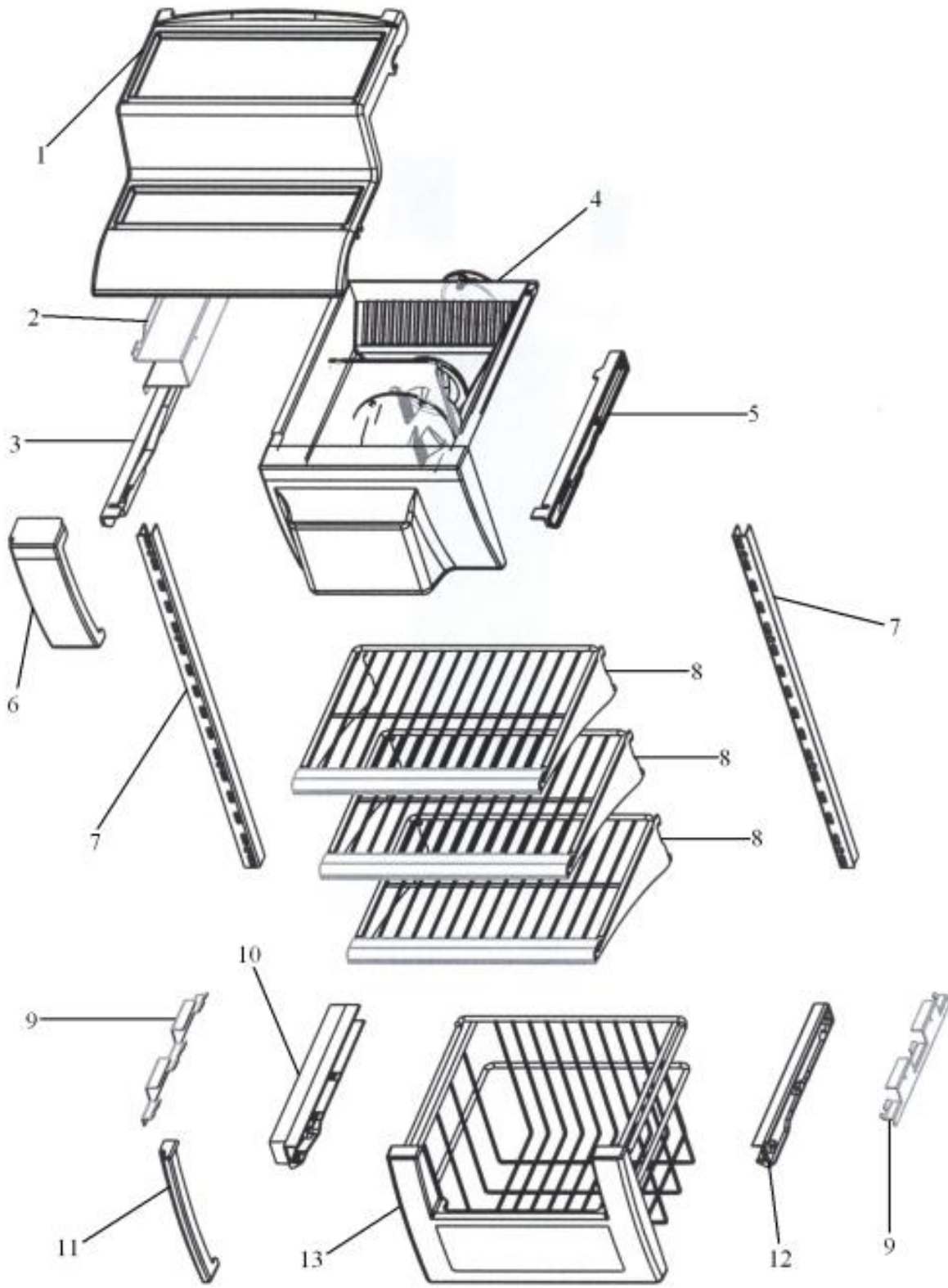
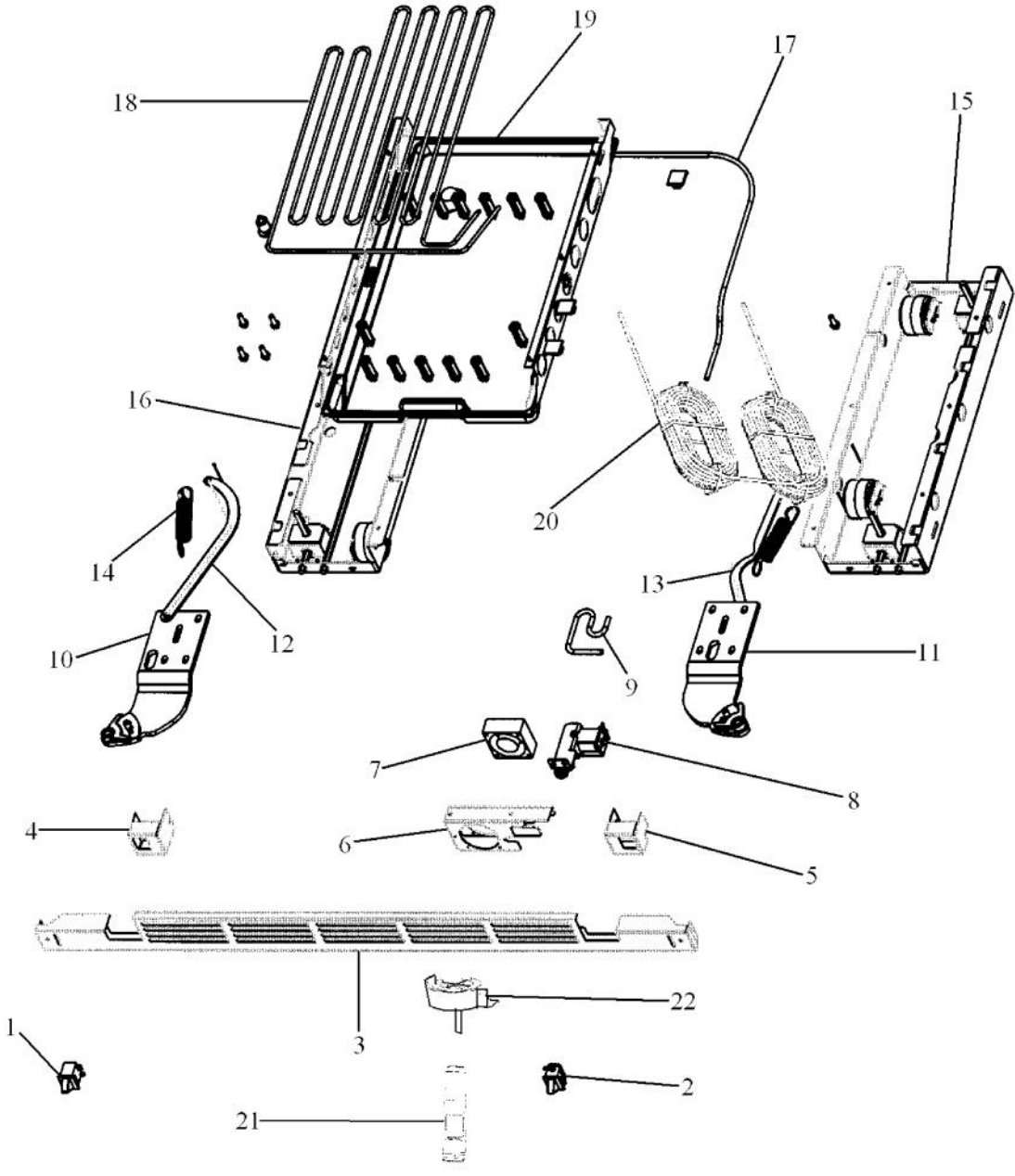


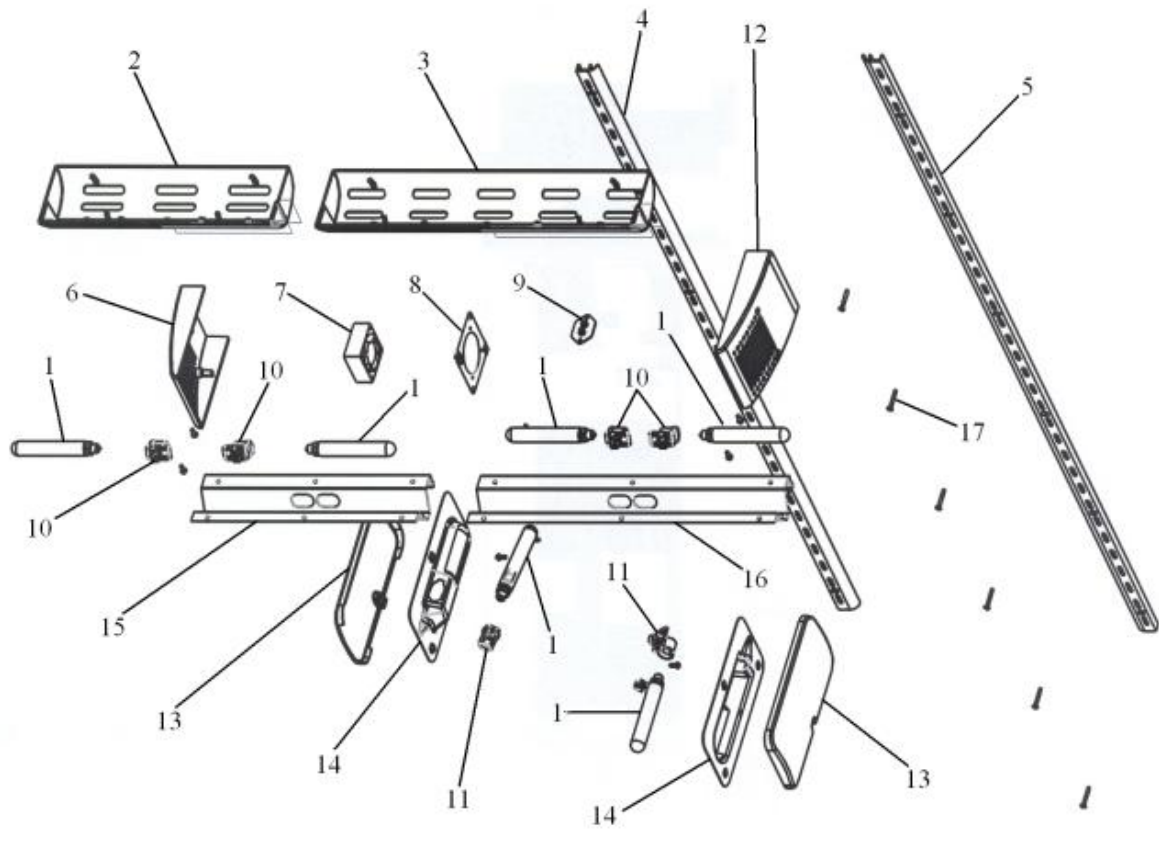
Ref #	Part Number	Qty.	Description
1	PM910236		GLASS SHELF
2	G5099965		SHELF AND SLIDE ASM SXS 42
3	G32910068		DRAWER DELI & RAIL ASM SXS 42
4	G32910069		PRODUCE DRAWER & RAIL ASM SXS 42
5	PK930171		DUCT MEAT SAVOR SXS 42 REAR
6	PM910288		SLIDE MEAT SAVOR L
7	PK930176		SUPPORT DRAWER MEAT SAVOR 42/48 L
8	PK930170		DUCT MEAT SAVOR SXS 42 L
9	PK930174		SUPPORT SLIDE MEAT SAVOR SXS 42/48 L
10	PK930173		SUPPORT SLIDE MEAT SAVOR SXS 42/48 R
11	PM910334		ROLLER TENSION
12	PK930172		COVER CONTROL MEAT SAVOR
13	PK930168		DIAL CONTROL MEAT SAVOR
14	PK930169		DUCT MEAT SAVOR SXS 42/48 R
15	PK930175		SUPPORT DRAWER MEAT SAVOR SXS 42/48 R
16	PM910287		SLIDE MEAT SAVOR R
17	G50910716		FALSE FRONT ASM, SXS 42 DISP
18	PK930119		DELI LID
19	PK930114		DRAWER MEAT SAVOR SXS 42
20	PK930120		SHELF MEAT SAVOR SXS 42
NI	PM910332		ACCESSORY ASSY



Ref #	Part Number	Qty.	Description
1	PK930264		SHELF COVER
2	C20910027		SUPPORT, LS ICE BUCKET
3	PK930266		GLIDE L FZ
4	PM910331		ICE BUCKET ASSY
NI	G50911855		ICE MAKER ASM, DISP
5	PK930265		GLIDE R FZ
6	PK930096		CLOSEOUT - ICE DISPENSER
7	PM910375		LADDER R/L FZ
8	PM910189		SHELF WIRE FZ
9	L20910067		FZ SHELF BRACKET
10	PK930075		GLIDE SXS 48 FZ L
11	PK930107		FZ BASKET SIDE SPACER FRONT
12	PK930074		GLIDE SXS 48 FZ R
13	PM910190		BASKET ASM FZ

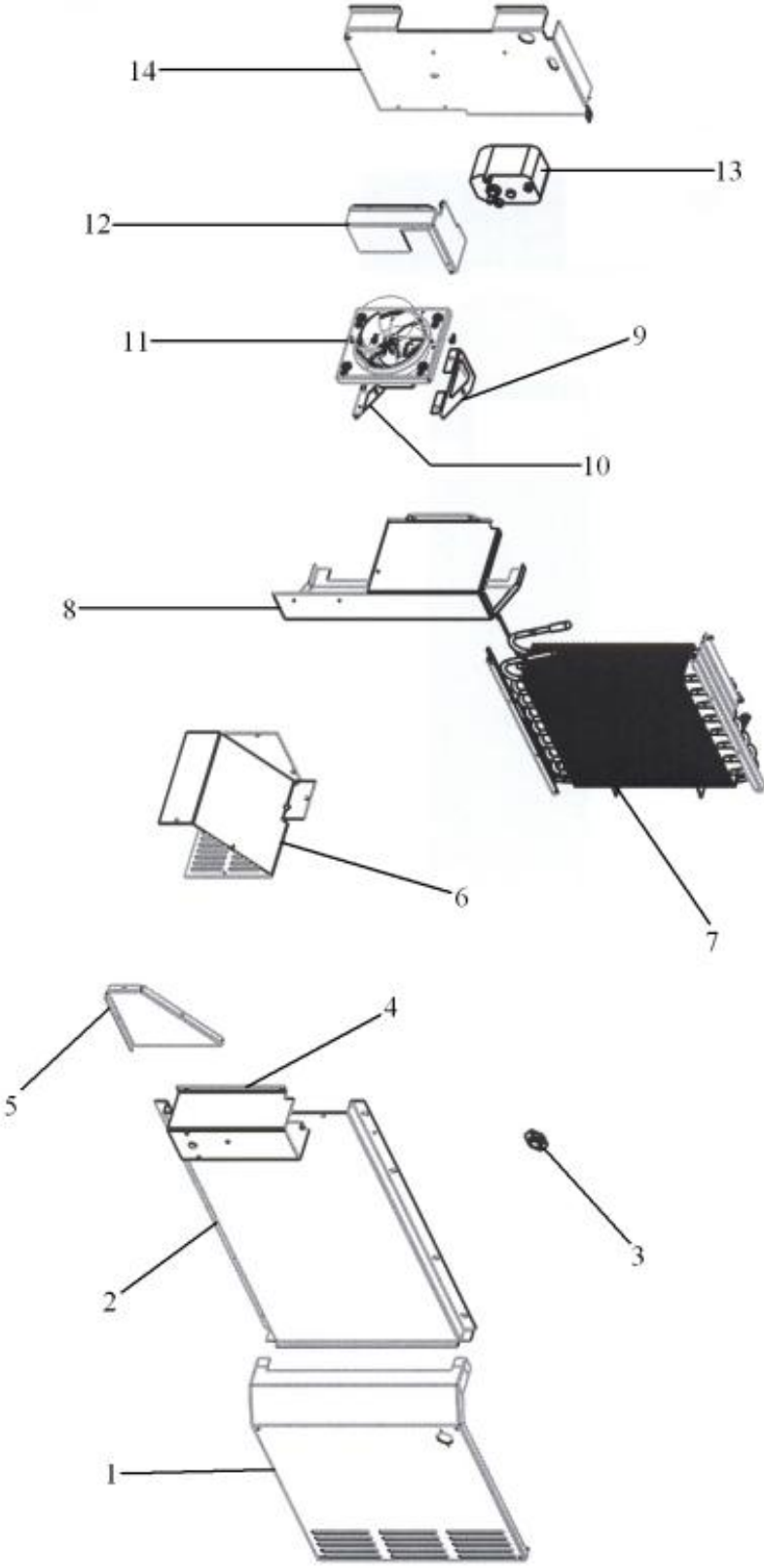


Ref #	Part Number	Qty.	Description
1	PE950146		SWITCH SPDT BLACK
2	PE950147		SWITCH SPST NC BLACK
3	G50915601		GRILLE TOE ASM SXS 42
4	L20915004		BASE GRILLE SWITCH MNT LH
5	L20915003		BASE GRILLE SWITCH MNT RH
6	K2099464		BRACKET FAN & VALVE
7	12075003		MOTOR-REF FAN
8	PA070014		VALVE WATER DOUBLE COMP. INLET
	G50911843		WATER VALVE/BRACKET SVC KIT
9	PB920202		TUBE WATER VALVE
10	G3298649		HINGE ASM COMPLETE LL
11	G3298648		HINGE ASM COMPLETE LR
12	PC920149		BAR-WC BOT HINGE LH
13	PC920166		BAR-WC BOT HINGE RH
14	PC910015		SPRING EXTENSION
15	PM910398		LEVELER ASSEMBLY - R
16	PM910399		LEVELER MODULE L
17	B5705313		TUBE-PLASTIC NO.
18	F20915693		SERPENTINE CONDENSER DRAIN ALL SXS'S
19	12071301		PAN-DRAIN (NON-ANTIMICROBIAL)
	PK930348		(BEFORE 02/07/05) PAN DRAIN (AFTER 02/07/05)
20	PB020300		RESERVOIR, DOUBLE, 42D
21	PM910465		FILTER CARTRIDGE MUST HAVE INSTALLED G50911814 BEFORE PM910465 FILTER CAN BE USED ON UNITS MADE BEFORE...
22	PM910248		MANIFOLD --- FILTER
NI	PK910123		SIDE TRIM - PRO
	C9398011BR		PRO SIDE TRIM BRASS
NI	G50914125		TRAY PAN HEATER
NI	G32913787		BRKT & FAN COND ASM

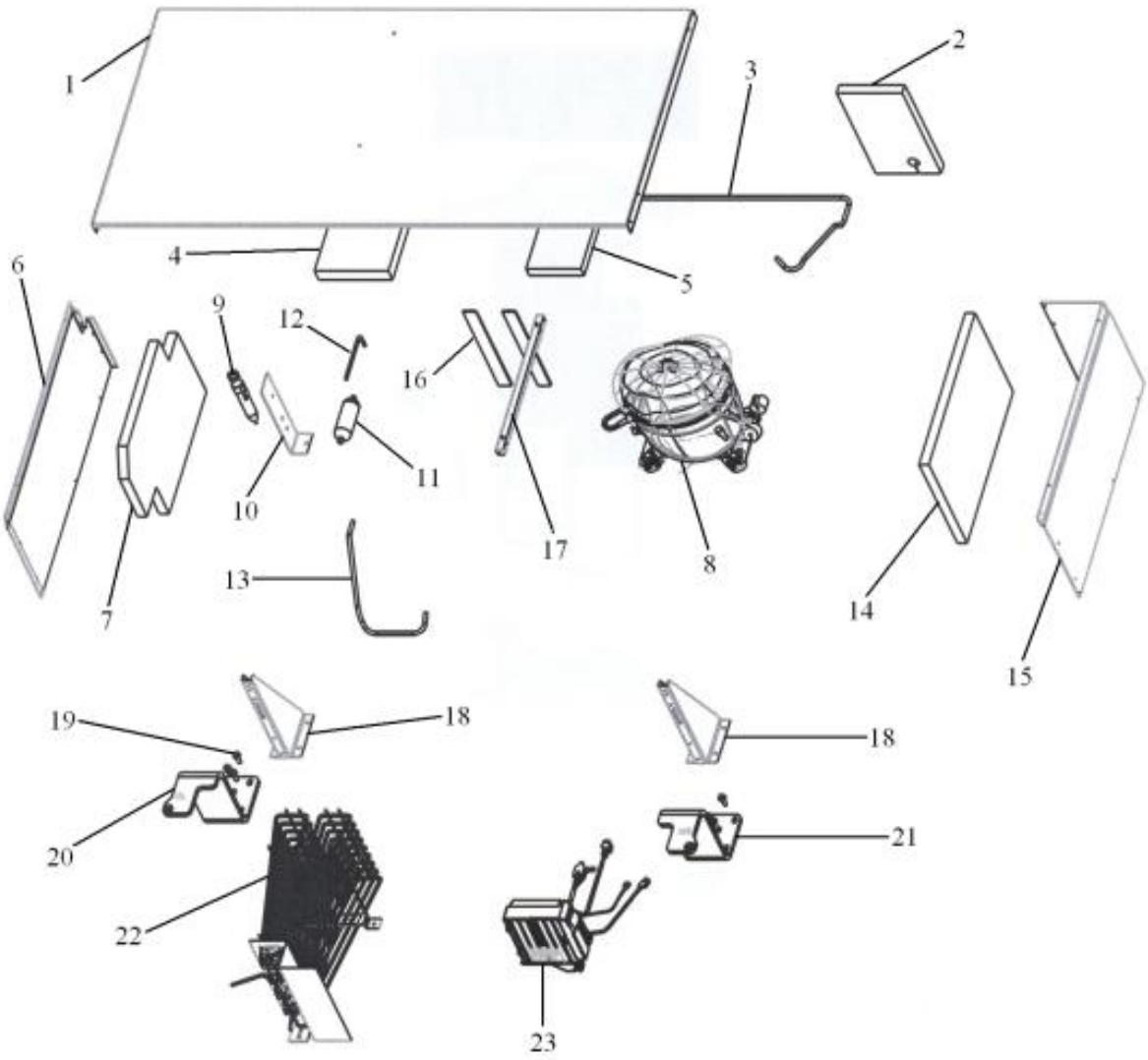


Ref #	Part Number	Qty.	Description
1	A3079001		LAMP - 40W
2	PK930116		COVER LIGHT ASM SXS 42 FZ
3	PK930115		COVER LIGHT ASM SXS 42 FF
4	PM910228		LADDER LS REF (BEFORE 5/1/06)
	PK020079		LADDER FF L SXS 42D/48D (AFTER 5/1/06)
5	PM910227		LADDER RS REF
6	PK930086		COVER FAN SXS 48 FZ
7	12075003		MOTOR-REF FAN
8	K2096475		PLATE-FAN MNT 12404701
9	C8983701		THERMISTOR
10	PE950125		LIGHT SOCKET
11	10281601		SOCKET-SGL LIGHT
12	PK930085		COVER FAN SXS 48 FF
13	PK930346		COVER LIGHT
14	10270203		HOUSING-LIGHT V10270203
15	L2099475		BRACKET LIGHT SXS FZ
16	L2099474		BRACKET LIGHT SXS 42 FF
17	M0238535		SCREW-SM

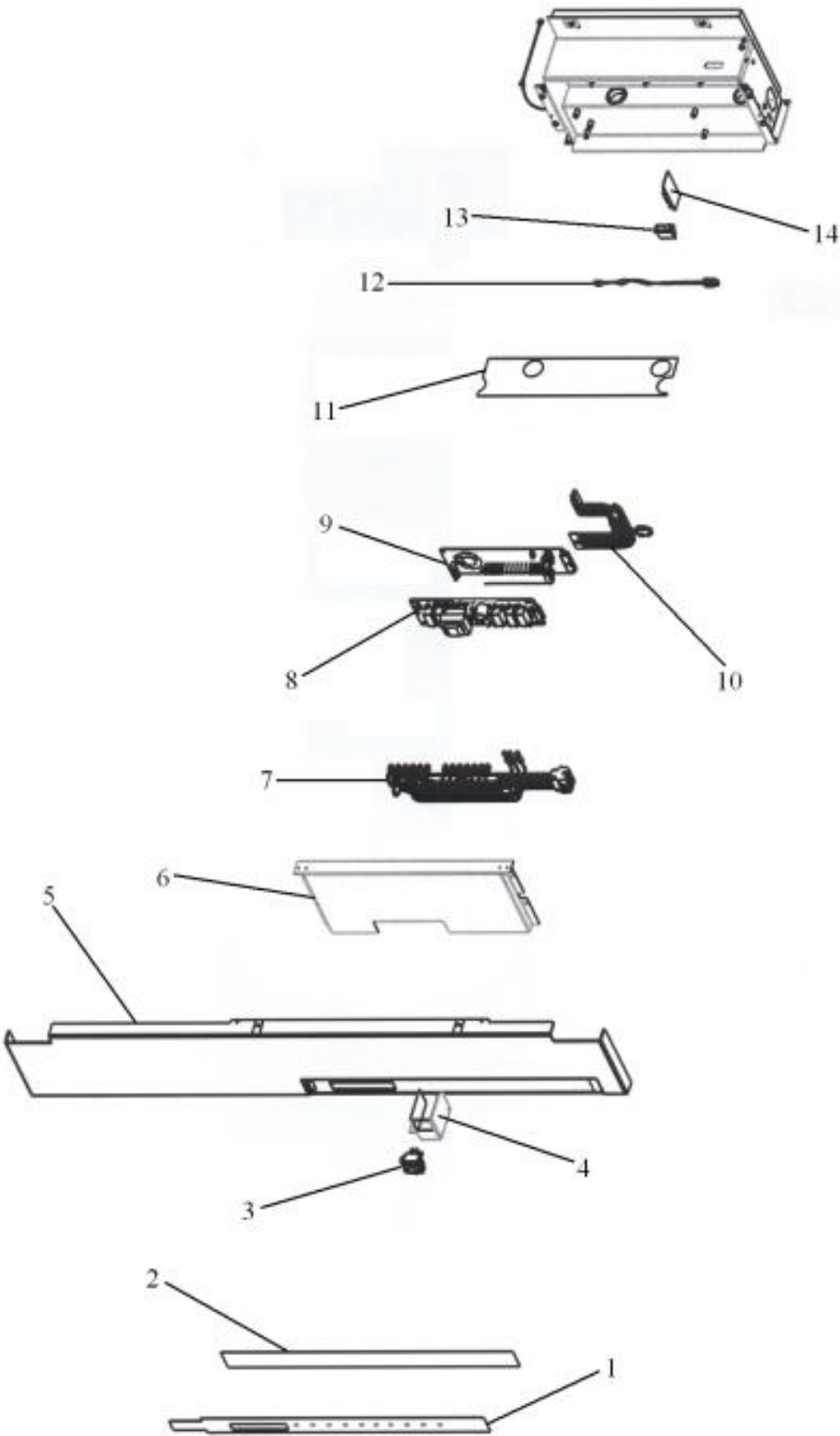




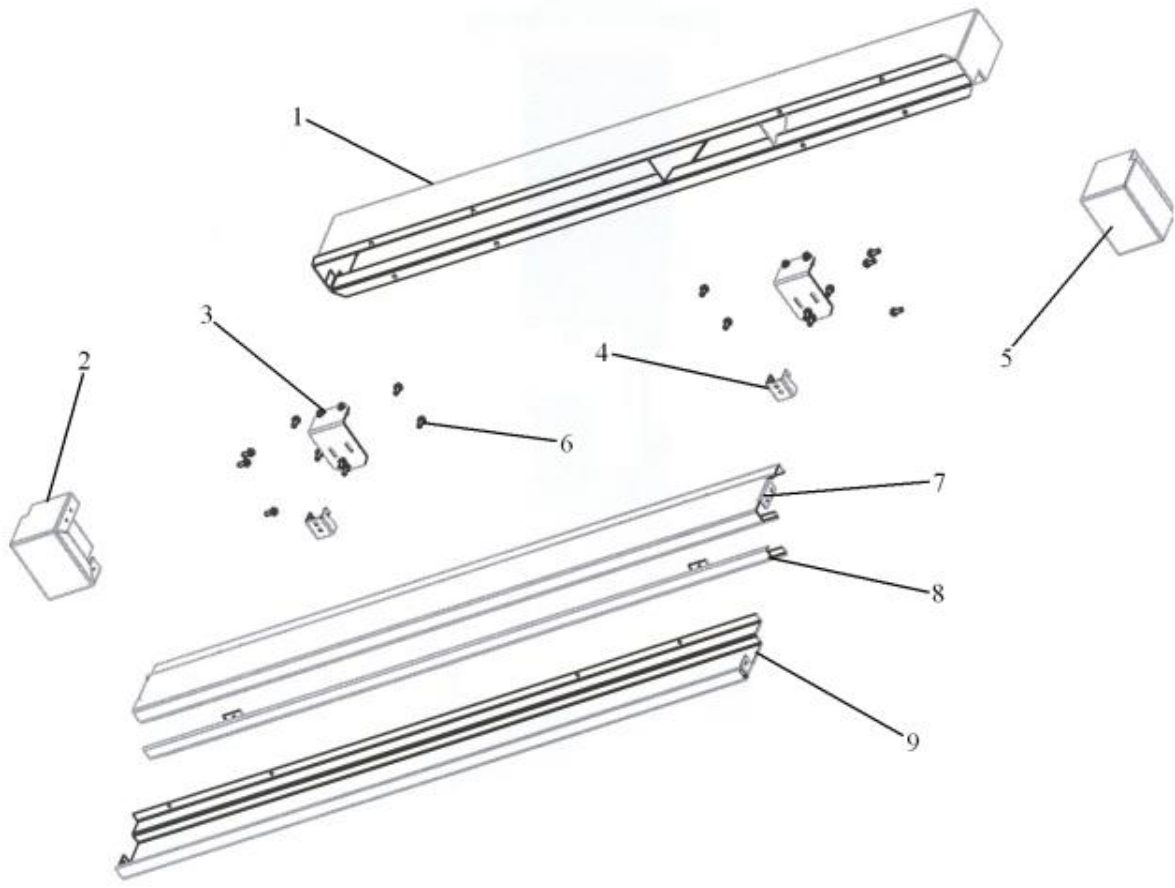
Ref #	Part Number	Qty.	Description
1	L20910054		COVER LOWER EVAP
2	L20910057		COVER CENTER EVAP
3	C8983701		THERMISTOR
4	C20910713		BRCACKET, AUGER MOTOR
5	L20910075		COVER EVAP FAN
6	L20910074		TRAN EVAP FAN
7	G50910020		EVAP ASM SXS
8	L20910056		COVER EVAP MOTOR
9	K2096457		BRKT-R-EVAP FAN 12223101
10	K2096458		BRKT-L-EVAP-FAN 12223102
11	G5098660		FAN EVAP ASM
12	L2098027		DUCT - EVAP FAN
13	PE950158		MOTOR AUGER
14	C20910058		COVER UPPER EVAP



Ref #	Part Number	Qty.	Description
1	K2099458		MC TOP SXS 42
2	PB970171		MC INSULATION - BACK SIDE
3	F2099443		TUBE DISCHARGE FORMED PRE ACCUM
4	12074704		INSUL-MC CVR
5	12074701		INSUL-MC CVR V12074701
6	K2099460		MC SIDE L
7	12074601		INSUL-L MC CVR V12074601
8	G5097976		COMPRESSOR ASSEMBLY (363 AND 483)
9	PM910381		DRIER - HIGH SIDE
10	K2099454		BRACKET DRIER
11	PB920201		ACCUMULATOR
12	F2096504		TUBE-DRIER EXT
13	F2099444		TUBE DISCHARGE FORMED POST ACCUM
14	12074702		INSUL-R MC CVR V12074702
15	K2099459		MC SIDE R
16	A3189370		GASKET-FOAM VA3189370
17	K2099455		SUPPORT MC Z
18	C2097595		LOUVER SUPPORT BRACKET
19	PD940088		SCREW, 1/4 X 20 HEX WASHER SERRATED
20	PC920204		HINGE ASM UL
21	PC920203		HINGE ASM UR
22	PB920171		CONDENSER ASM
23	PE970449		INVERTER ASSEMBLY

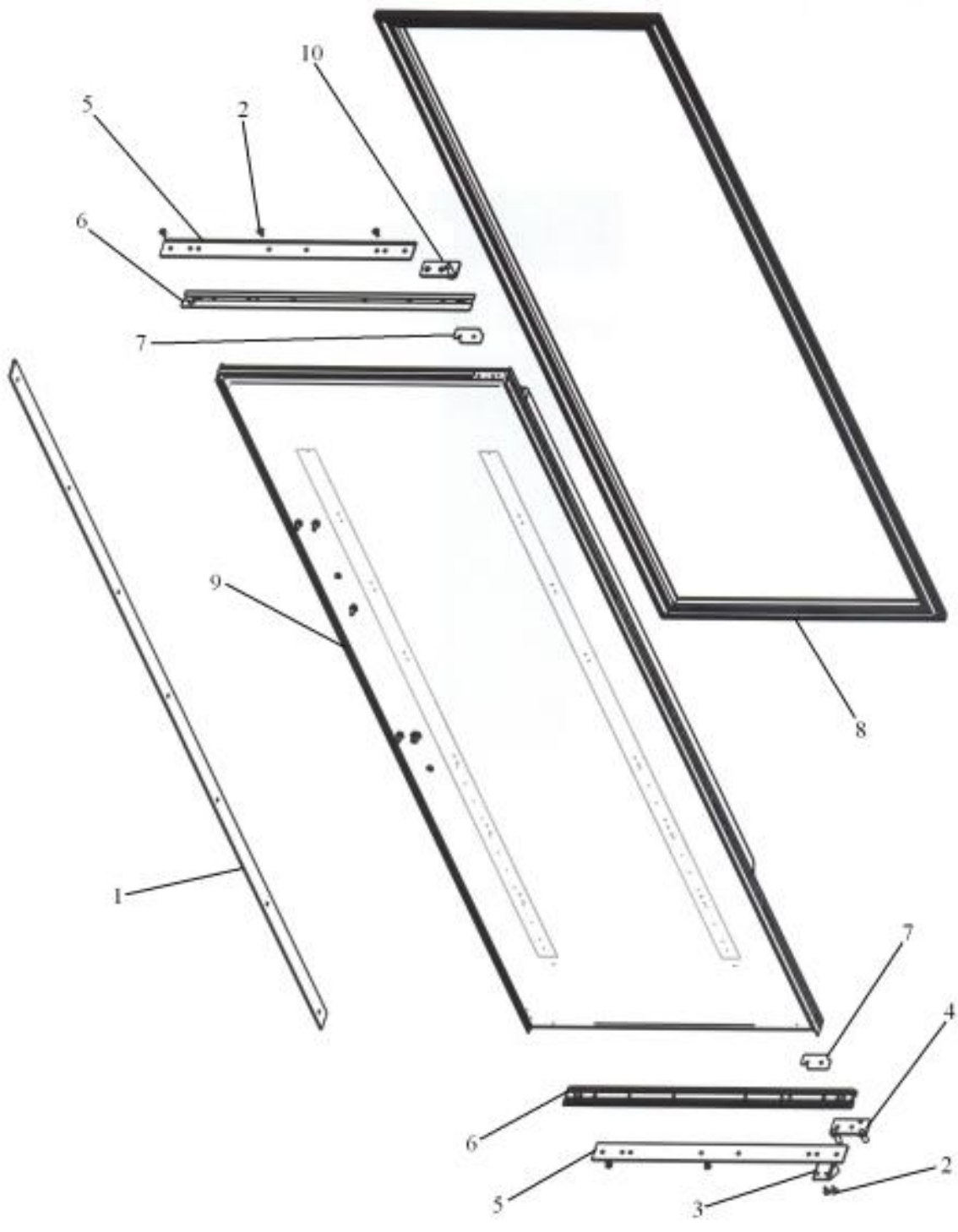


Ref #	Part Number	Qty.	Description
1	PE950135		SWITCH, KEYBOARD
2	PE980003		OVERLAY KEYBOARD SXS 42
3	PE950149		SWITCH POWER
4	K2098654		BRACKET SWITCH POWER
5	PK930230		CONTROL PANEL SXS 42
6	K20910061		CONTROL BOX FRONT
7	PE970465		HARNESS HIGH VOLT (BEFORE 5/16/06)
	PE070785		HARNESS HIGH VOLT (AFTER 5/16/06)
8	PE970463		POWER CONTROL BOARD
9	PE970603		LOW VOLTAGE BOARD (BEFORE 5/16/06)
	PE070728		BOARD LOW VOLTAGE (AFTER 5/16/06)
10	PE970464		HARNESS LOW VOLT
11	PM910325		FILM PROTECTIVE
12	Order No.9		HARNESS, ADAPTER BOARD
13	PE950150		SPDT ROCKER SW. W/LEGEND
14	Order No.9		HARNESS, ADAPTER BOARD
NI	PE970609		HARNESS CONTROL BOARD

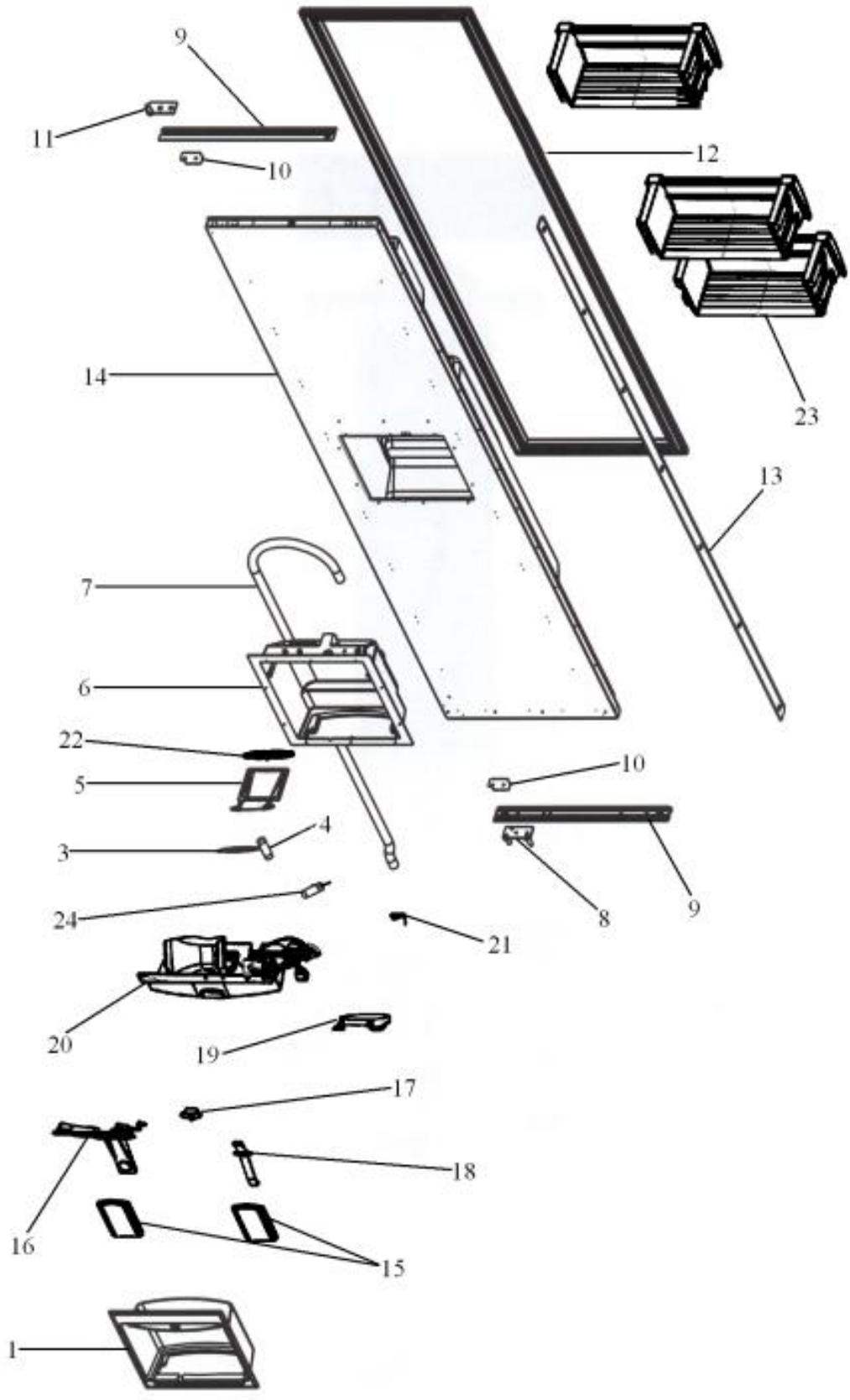


Ref #	Part Number	Qty.	Description
1	G3097768		AIR DUCT WELD ASM 42
2	B20911816		GRILLE ENDCAP PRO L
3	B2096962		BRACKET-LOUVER SUP
4	B2096961		BRACKET-LOUVER
5	B20911817		GRILLE ENDCAP PRO R
6	M0220417		SCREW-TC
7	B20913078		GRILLE LOUVER TOP SXS 42 PRO
8	B20913080		GRILLE LOUVER MIDDLE SXS 42 PRO
9	B20913082		GRILLE LOUVER BOTTOM SXS 42 PRO

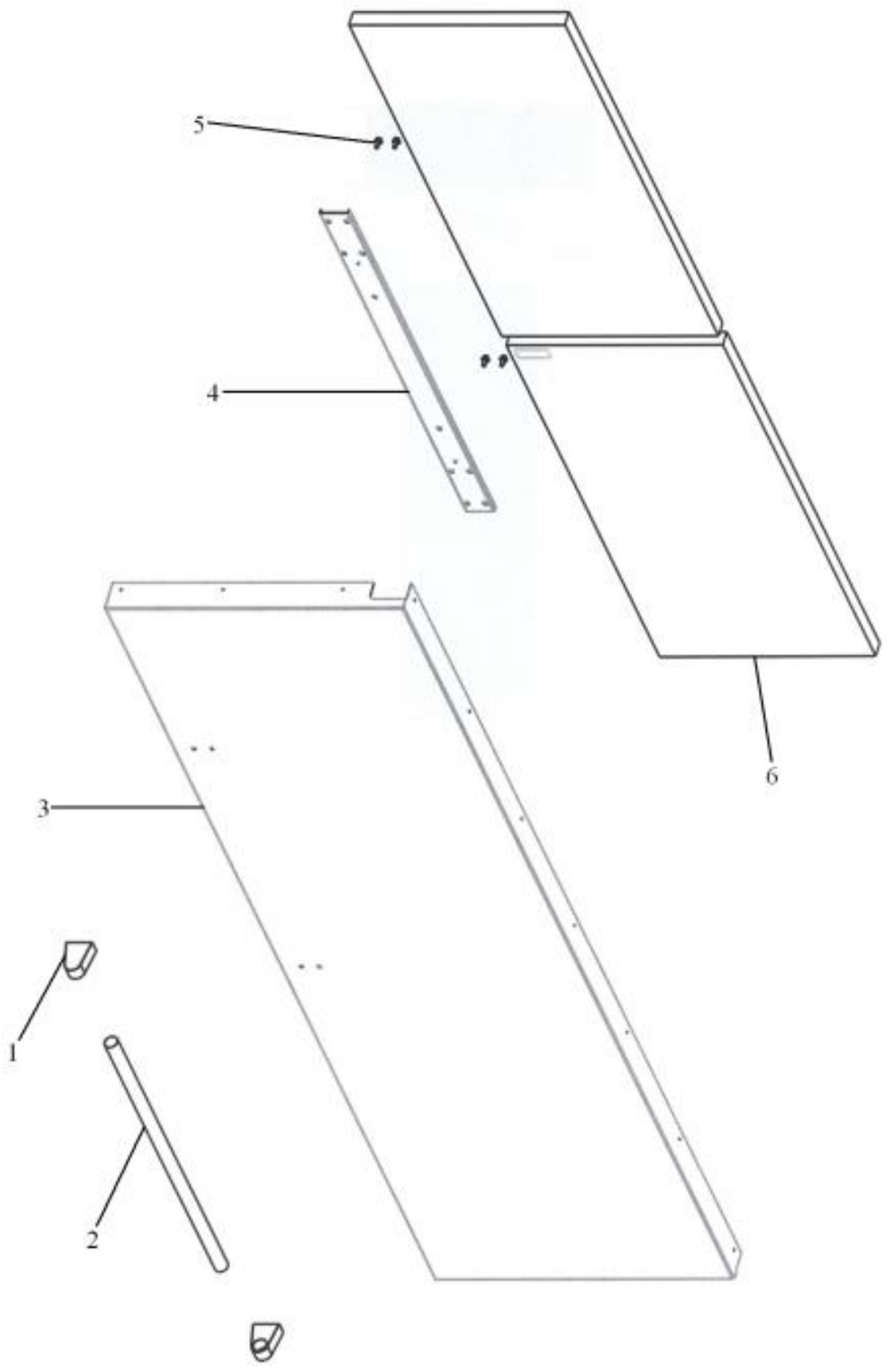




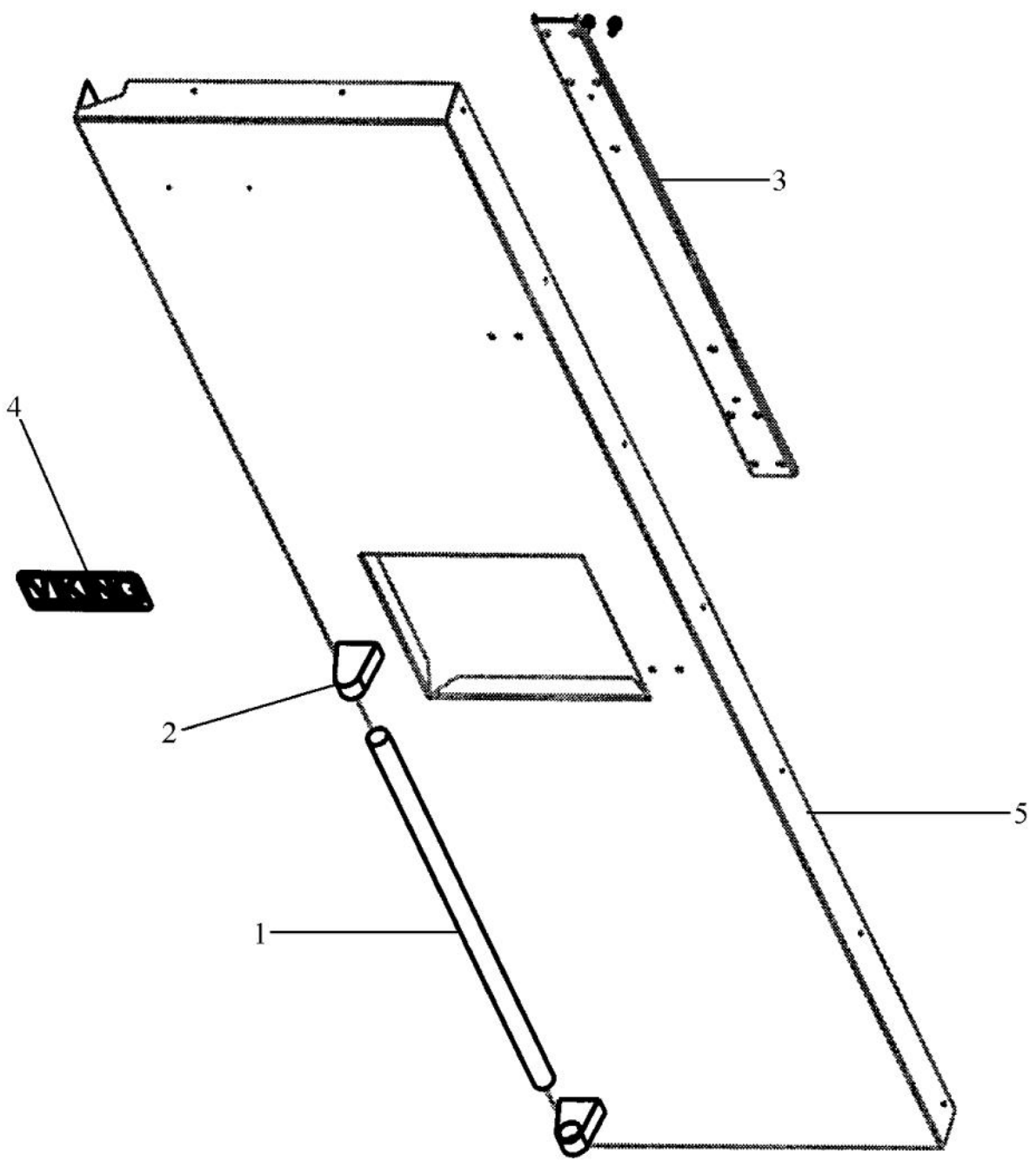
Ref #	Part Number	Qty.	Description
1	PE940176		TRIM - DOOR SXS PRO SIDES
2	M0210458		SCREW-SM
3	PD050019		STRIKER DOOR SWITCH
4	PC920146		PIVOT PLATE ASSY - WC RH BOT
5	PK930240		TRIM DOOR BULLNOSE SXS 42 FF TOP/BOT
6	PM910310		FRAME - TOP / BOTTOM
7	PD940092		SPACER - DOOR HINGE
8	PB970183		DOOR GASKET
9	G5098623		DOOR FOAM ASM SXS 42 FF
10	PC920133		PIVOT PLATE ASSY - RH
NI	G5098675		DOORBIN ASM SXS 42 FF



Ref #	Part Number	Qty.	Description
1	PB910232		BEZEL I/W DISPENSER PRO
2	PB980023		SPILL TRAY - I/W DISPENSER
3	12302201		ICE DEFLECTOR
4	PK930274		TUBE CONNECTOR
5	12348201		CHUTE-ICE NO.
6	PK930403		CAVITY DISPENSER
7	PK930293		ADAPTER CABLE/WATERLINE BOTTOM SXS DISP (BEFORE 1/6/06)
	PB020303		PLASTIC TUBING-IM WATERLINE SXS DISP (AFTER 1/6/06)
8	PC920147		PIVOT PLATE ASSY - WC LH BOT
9	PM910311		FRAME - TOP / BOTTOM
10	PD940092		SPACER - DOOR HINGE
11	PC920132		PIVOT PLATE ASSY - LH
12	PB970175		GASKET
13	PE940176		TRIM - DOOR SXS PRO SIDES
14	G50910709		DOOR FOAM ASM SXS 42 FZ DISP
15	12221005		PAD ACTUATOR
16	PK930383		ARM ICE ACTUATOR (BEFORE 2/14/06)
	PK030470		ARM ICE ACTUATOR (AFTER 2/14/06)
17	PE950152		SWITCH SLIDE
18	PK930404		ARM WATER ACTUATOR
19	PK930381		DOOR DISPENSER
20	PM910478		CAVITY COVER ASSEMBLY - BK (BEFORE 4/15/05) INCLUDES SWITCHES
	PM910481		CAVITY COVER ASM FOR WHITE BEZEL INCLUDES SWITCHES
	PM910516		CAVITY COVER ASSEMBLY INCLUDES SWITCHES
	PM910517		COVER CAVITY ASM WHITE BEZEL INCLUDES SWITCHES
21	PC010021		SPRING DISP. DOOR
22	12193801		GASKET - ICE DR
23	G5098676		DOORBIN ASM SXS 42 & 48 FZ
24	C8973603		DELAY-DOOR NO.
NI	PE970592		HARNESS MAIN
	PE970592		HARNESS MAIN
NI	G50911859		DISPENSER WATER LINE SLEEVE SERVICE KIT
NI	PB910274		INSERT FACADE
	PB910281		INSERT FACADE SXS DISPENSER
NI	PE970590		HARNESS JUMPER LOWER
NI	PE970591		HARNESS JUMPER UPPER



Ref #	Part Number	Qty.	Description
1	PE030001		BRACKET, DOOR, HANDLE
	PE030001PVD		END CAP DOOR HANDLE XBR
2	PE930101		VCSB482 HANDLE -(12466403)
	PE030044PVD		CNPY HDLE 41/53 PVD F0005408
3	B2099993		DOOR SKIN SXS 42 PRO FF (NEW HANDLE LOCATION)
	L2099993WH		DOOR SKIN SXS 42 PRO FF (NEW HANDLE LOCATION)
	C9099993AL		DOOR SKIN SXS 42 PRO FF (NEW HANDLE LOCATION)
	C9099993BK		DOOR SKIN SXS 42 PRO FF (NEW HANDLE LOCATION)
	C9099993BT		DOOR SKIN SXS 42 PRO FF (NEW HANDLE LOCATION)
	C9099993BU		DOOR SKIN SXS 42 PRO FF (NEW HANDLE LOCATION)
	C9099993CB		DOOR SKIN SXS 42 PRO FF (NEW HANDLE LOCATION)
	C9099993EP		DOOR SKIN SXS 42 PRO FF (NEW HANDLE LOCATION)
	C9099993FG		DOOR SKIN SXS 42 PRO FF (NEW HANDLE LOCATION)
	C9099993GG		DOOR SKIN SXS 42 PRO FF (NEW HANDLE LOCATION)
	C9099993LE		DOOR SKIN SXS 42 PRO FF (NEW HANDLE LOCATION)
	C9099993MJ		DOOR SKIN SXS 42 PRO FF (NEW HANDLE LOCATION)
	C9099993SG		DOOR SKIN SXS 42 PRO FF (NEW HANDLE LOCATION)
	C9099993VB		DOOR SKIN SXS 42 PRO FF (NEW HANDLE LOCATION)
4	K2097526		BRACKET - HANDLE SUPPORT
5	M0204303		SCREW-MACH
6	PM910333		BLOCK EPS DOOR SKIN SXS 42 FF



Ref #	Part Number	Qty.	Description
1	PE930101		VCSB482 HANDLE -(12466403)
	PE030044PVD		CNPY HDLE 41/53 PVD F0005408
2	PE030001		BRACKET, DOOR, HANDLE
	PE030001PVD		END CAP DOOR HANDLE XBR
3	K2097526		BRACKET - HANDLE SUPPORT
4	PE010030		LOGO, 6, PRO, BK
	PE010068		LOGO, 6, PRO, BK/BR
	PE010031		LOGO 6 (VGRC) XBK/WHX
	PE010076		LOGO 6 (VGRC) XBR/WHX
5	B20911393		SKIN DOOR SXS 42 FZ PRO FZ W/ DISPENSER (NEW HANDLE LOCATION)
	L20911393WH		SKIN DOOR SXS 42 FZ PRO WH (NEW HANDLE LOCATION)
	C90911393AL		SKIN DOOR SXS 42 FZ PRO AL (NEW HANDLE LOCATION)
	C90911393BK		SKIN DOOR SXS 42 FZ PRO BK (NEW HANDLE LOCATION)
	C90911393BT		SKIN DOOR SXS 42 FZ PRO BT (NEW HANDLE LOCATION)
	C90911393BU		SKIN DOOR SXS 42 FZ PRO BU (NEW HANDLE LOCATION)
	C90911393CB		SKIN DOOR SXS 42 FZ PRO CB (NEW HANDLE LOCATION)
	C90911393EP		SKIN DOOR SXS 42 FZ PRO EP (NEW HANDLE LOCATION)
	C90911393FG		SKIN DOOR SXS 42 FZ PRO FG (NEW HANDLE LOCATION)
	C90911393GG		SKIN DOOR SXS 42 FZ PRO GG (NEW HANDLE LOCATION)
	C90911393LE		SKIN DOOR SXS 42 FZ PRO LE (NEW HANDLE LOCATION)
	C90911393MJ		SKIN DOOR SXS 42 FZ PRO MJ (NEW HANDLE LOCATION)
	C90911393SG		SKIN DOOR SXS 42 FZ PRO SG (NEW HANDLE LOCATION)
	C90911393VB		SKIN DOOR SXS 42 FZ PRO VB (NEW HANDLE LOCATION)