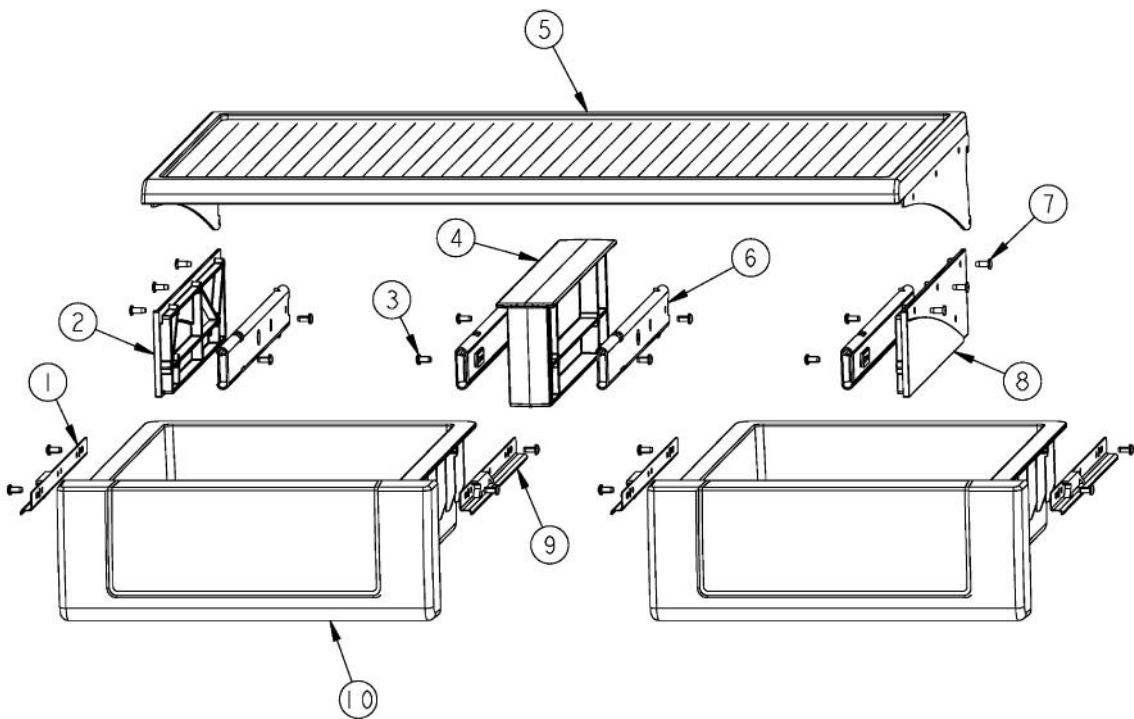
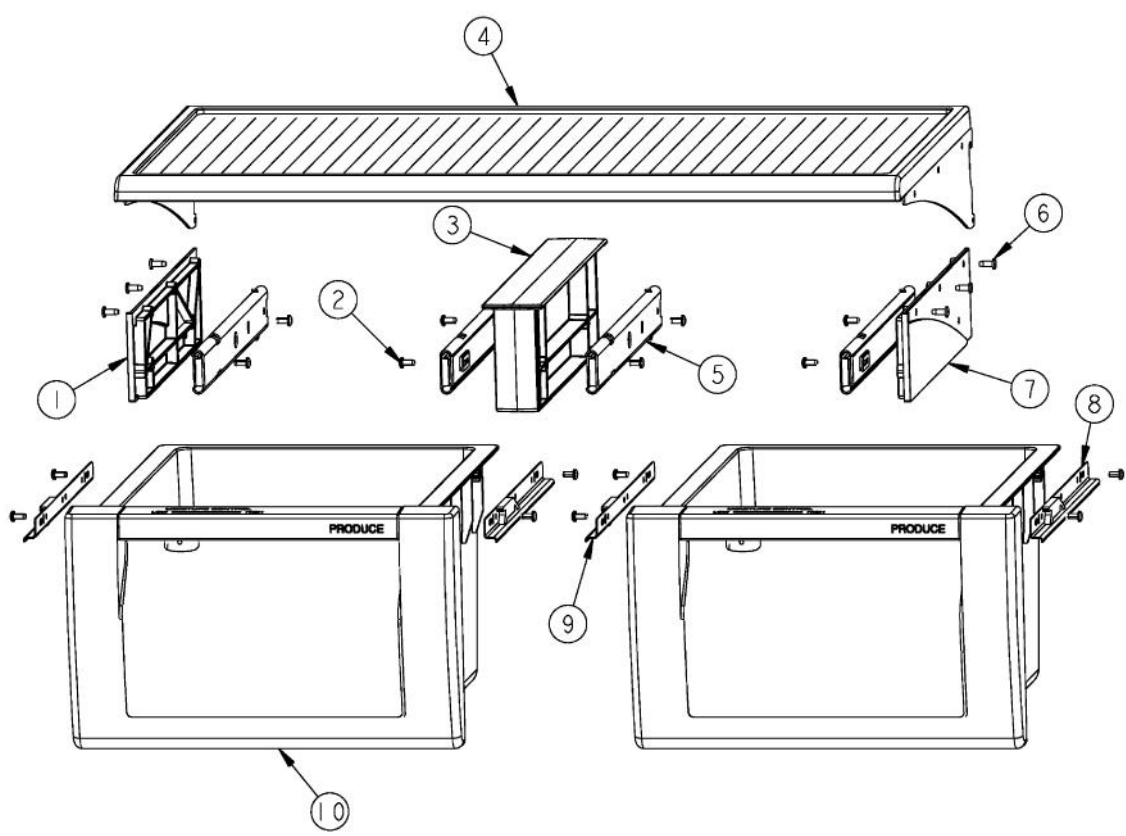


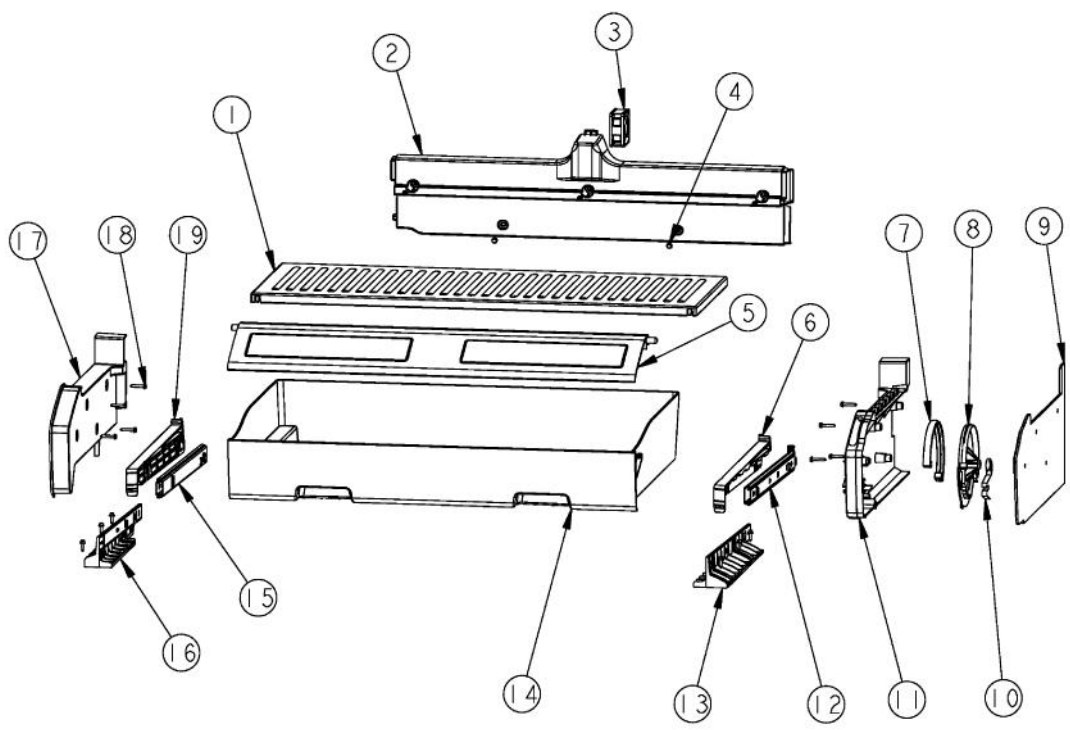
Ref #	Part Number	Qty.	Description
1	PM010529		SHELF ASM GLASS 30 AR 48 FF
2	DELI DRAWER		SEE PAGE 002 FOR BREAKDOWN
3	PRODUCE DRAWER		FOR BREAKDOWN SEE PAGE 002
4	Conv.MeatSaverDra.		SEE PAGE 004 FOR BREAKDOWN



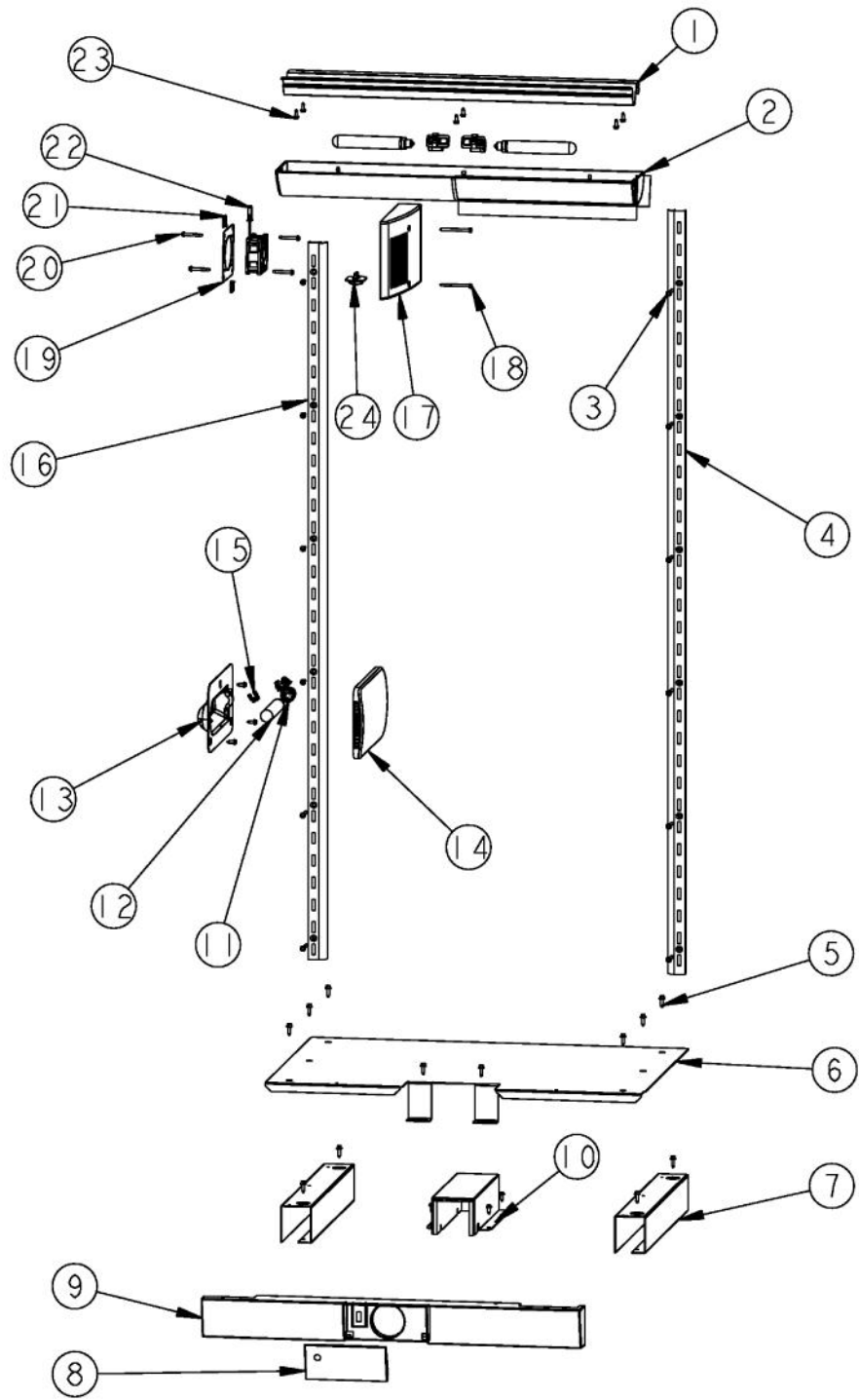
Ref #	Part Number	Qty.	Description
1	PM910342		RAIL DRAWER L
2	PK930291		SUPPORT SLIDE L
3	PD920161		SCR 8-16 PLASTITE PNP 3/8 S
4	PK030439		GLIDE CENTER SUPPORT
5	PM010529		SHELF ASM GLASS 30 AR 48 FF
6	PM910388		SLIDE DRAWER (R & L)
7	PD020032		SRW-8(A)X3/8PH.WFR HD 7/16DIAXNICL
8	PK930290		SUPPORT SLIDE R
9	PM910343		RAIL DRAWER R
10	PK930305		DRAWER DELI AR 30 SXS 48



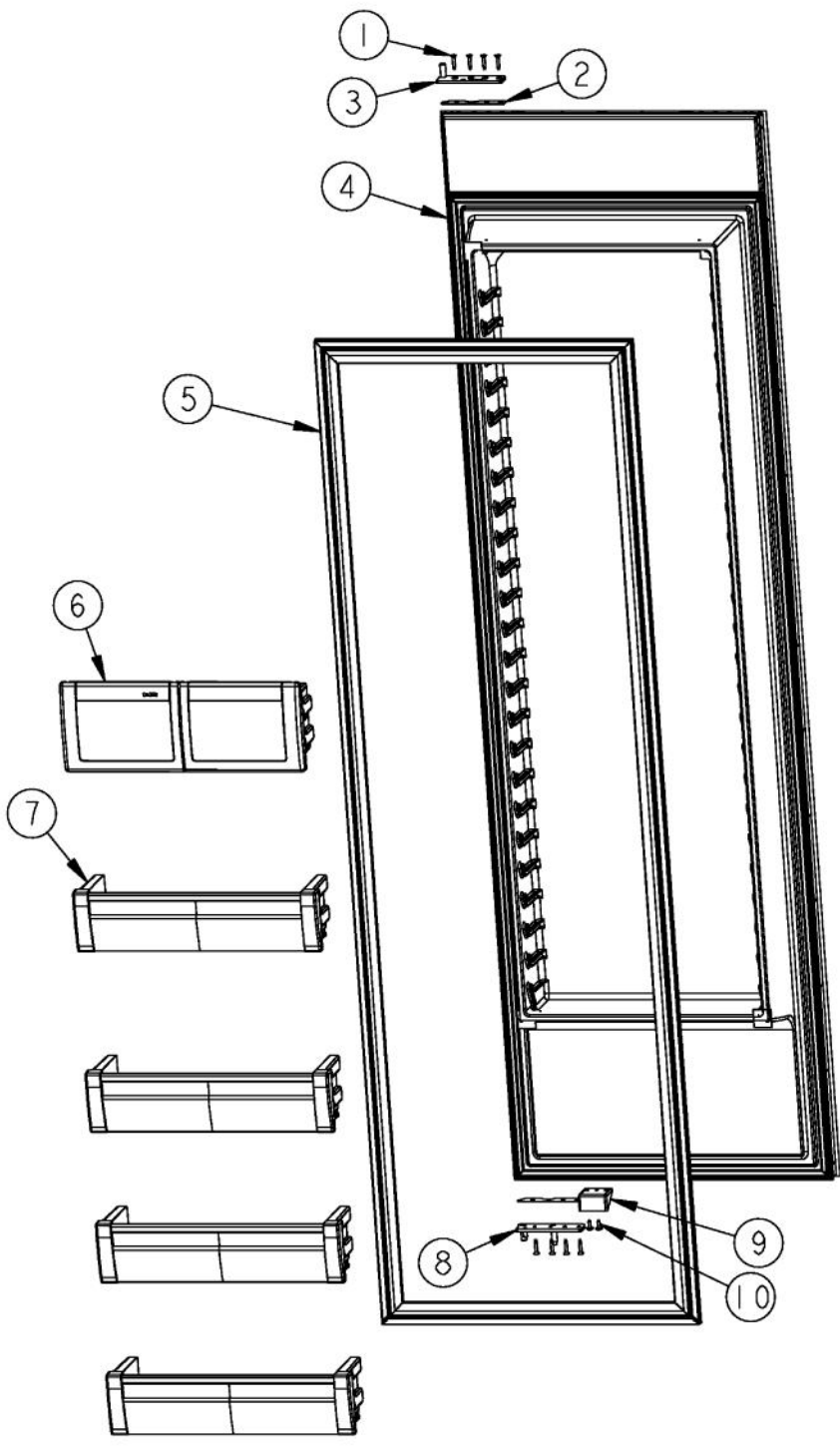
Ref #	Part Number	Qty.	Description
1	PK930291		SUPPORT SLIDE L
2	PD920161		SCR 8-16 PLASTITE PNP 3/8 S
3	PK030439		GLIDE CENTER SUPPORT
4	PM010529		SHELF ASM GLASS 30 AR 48 FF
5	PM910388		SLIDE DRAWER (R & L)
6	PD020032		SRW-8(A)X3/8PH.WFR HD 7/16DIAXNICL
7	PK930290		SUPPORT SLIDE R
8	PM910343		RAIL DRAWER R
9	PM910342		RAIL DRAWER L
10	PK930304		PRODUCE DRAWER



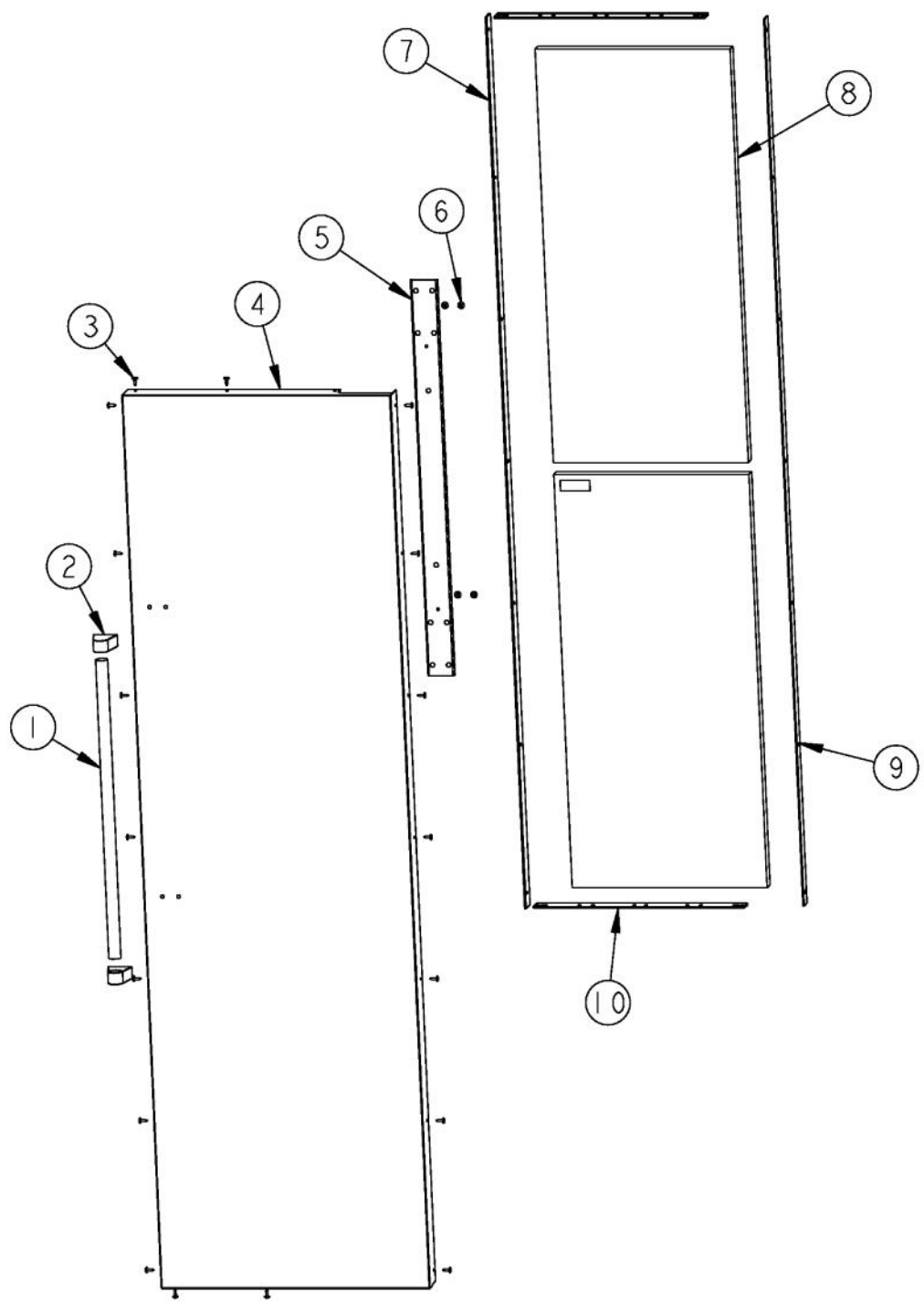
Ref #	Part Number	Qty.	Description
1	PK930308		SHELF MEAT SAVOR AR 30 SXS 48
2	PK930307		DUCT MEAT SAVOR AR 30 SXS 48
3	000730-000		MEAT SAVOR FAN - 3.8 W
4	PD020195		SCR 8-18 X 5/8
5	PK930310		DOOR MEATSAVOR AR 30
6	PK930175		SUPPORT DRAWER MEAT SAVOR SXS 42/48 R
7	PK930172		COVER CONTROL MEAT SAVOR
8	PK930168		DIAL CONTROL MEAT SAVOR
9	PK930283		DUCT MEATSAVOR SPACER
10	PM910334		ROLLER TENSION
11	PK930169		DUCT MEAT SAVOR SXS 42/48 R
12	PM910287		SLIDE MEAT SAVOR R
13	PK930173		SUPPORT SLIDE MEAT SAVOR SXS 42/48 R
14	PK930309		DRAWER MEAT SAVOR AR 30 SXS 48
15	PM910288		SLIDE MEAT SAVOR L
16	PK930174		SUPPORT SLIDE MEAT SAVOR SXS 42/48 L
17	PK930284		DUCT MEATSAVOR LEFT
18	M0211021		SCREW-SM
19	PK930176		SUPPORT DRAWER MEAT SAVOR 42/48 L



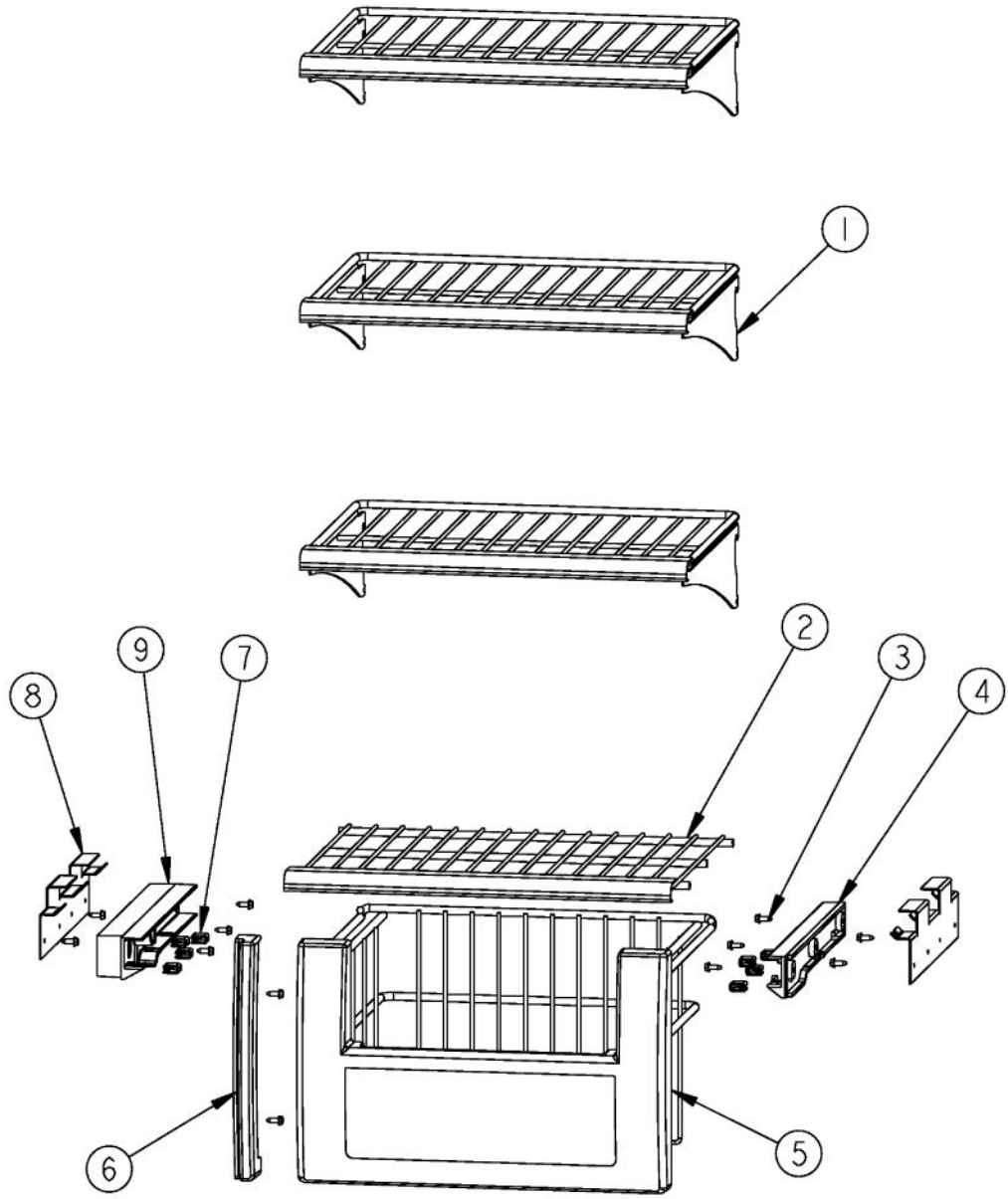
Ref #	Part Number	Qty.	Description
1	L2099492		BRACKET LIGHT SXS 48 FF
2	PK930268		COVER LIGHT ASM AF AR 30 SXS 48 FF
3	M0238535		SCREW-SM
4	PM910227		LADDER RS REF
5	PD020195		SCR 8-18 X 5/8
6	L20913095		FLOOR-FALSE
7	K20913096		BRACKET FALSE FLOOR
8	PK930313		COVER WATER FILTER SXS DISP
9	PK930364		COVER FALSE FRONT
10	G50913708		ASM COVER WATER FILTER
11	PE950125		LIGHT SOCKET
12	A3079001		LAMP - 40W
13	10270203		HOUSING-LIGHT V10270203
14	PK930346		COVER LIGHT
15	B5733302		CLIP-GROUND
16	PK020079		LADDER FF L SXS 42D/48D
17	PK930085		COVER FAN SXS 48 FF
18	M0221913		SCREW-SM
19	K2096475		PLATE-FAN MNT 12404701
20	PD020188		SCR 8-18 BT HXWS 1 1/2
21	M0288120		NUT-SPEED, VM0288120
22	000732-000		FRESH FOOD FAN - 1.2 W
23	PD020194		SCREW-SM
24	C8983701		THERMISTOR
NI	PM910332		ACCESSORY ASSY



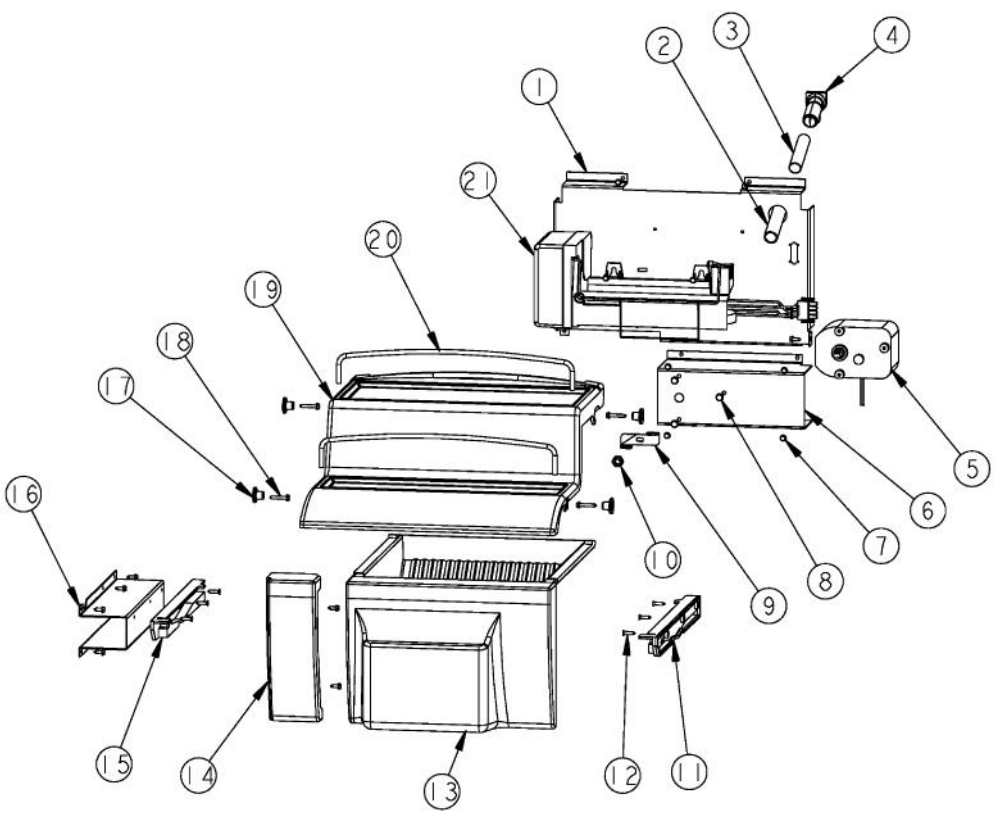
Ref #	Part Number	Qty.	Description
1	PD920174		10-32 TORX HEAD SCREW
2	PD040162		SPACER-DOOR HINGE
3	PC020278		PIVOT PL ASM RH UP PRO/DES
4	G32915040		DOOR ASM 48/48D FF (INCLUDES GASKET)
5	PB070332		DOOR GASKET (BEFORE 06-10-08)
	005454-000		GASKET, ASM, 48,SXS, FF (ON OR AFTER 06-10-08)
6	V12203602		DAIRY MODULE ASM
7	G5099291		DOOR BIN ASM SXS 48 FF AND 30 AR
8	PC020276		PIVOT PL ASM RH LW PRO/DES
9	PD050019		STRIKER DOOR SWITCH
10	M0210458		SCREW-SM



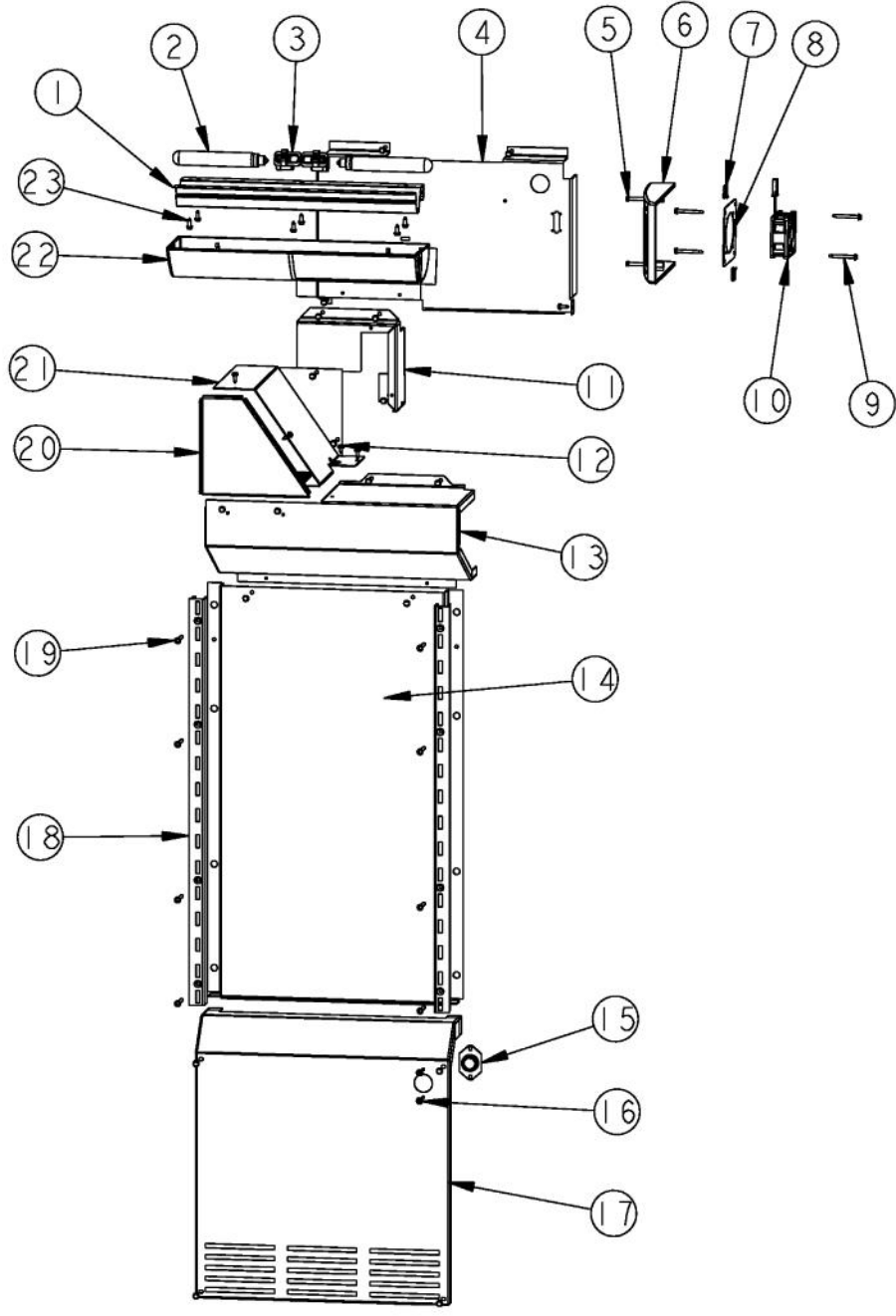
Ref #	Part Number	Qty.	Description
1	PE930101		VCSB482 HANDLE -(12466403)
	PE030173PVD		BRASS HANDLE
2	PE030001		BRACKET, DOOR, HANDLE
	PE030001PVD		END CAP DOOR HANDLE XBR
3	M0210458		SCREW-SM
4	B20915919		DOOR SKIN 48 PRO FF
	C90915919AL		DOOR SKIN 48 PRO FF
	C90915919BK		DOOR SKIN 48 PRO FF
	C90915919BT		DOOR SKIN 48 PRO FF
	C90915919BU		DOOR SKIN 48 PRO FF
	C90915919CB		DOOR SKIN 48 PRO FF
	C90915919EP		DOOR SKIN 48 PRO FF
	C90915919FG		DOOR SKIN 48 PRO FF
	C90915919GG		DOOR SKIN 48 PRO FF
	C90915919LE		DOOR SKIN 48 PRO FF
	C90915919MJ		DOOR SKIN 48 PRO FF
	C90915919SG		DOOR SKIN 48 PRO FF
	C90915919VB		DOOR SKIN 48 PRO FF
	L20915919WH		DOOR SKIN 48 PRO FF
5	K2097526		BRACKET - HANDLE SUPPORT
6	M0204303		SCREW-MACH
7	PE940176		TRIM - DOOR SXS PRO SIDES
8	PM910393		BLOCK - EPS REF DR SXS 48
9	PD940087		SPACER DOOR SKIN-HINGE SIDE (75.1)
10	PK030559		TRIM DOOR BULLNOSE 48 FF TOP/BOT



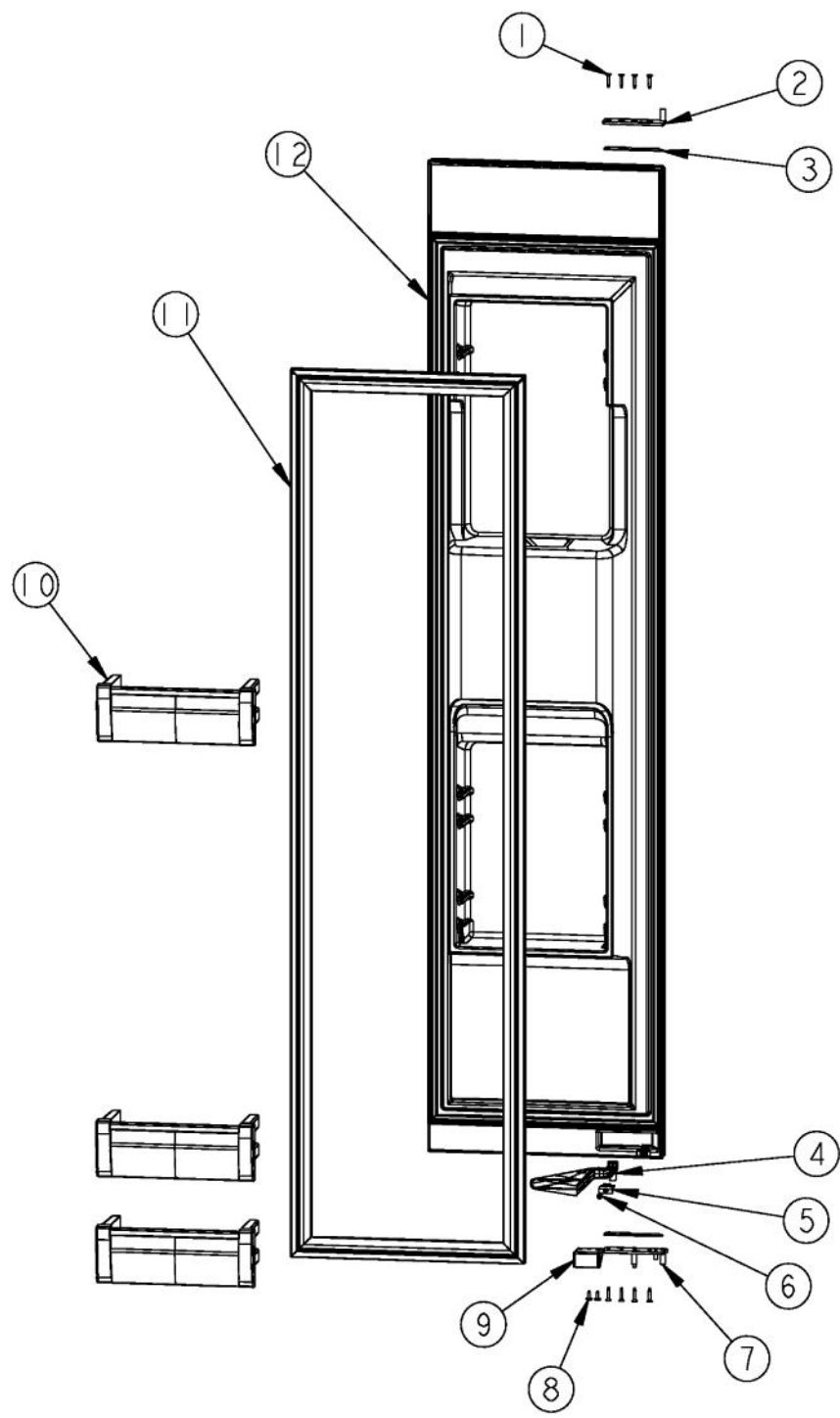
Ref #	Part Number	Qty.	Description
1	PM910189		SHELF WIRE FZ
2	PM910231		FZ FIXED BASKET ASSEMBLY
3	PD020194		SCREW-SM
4	PK930074		GLIDE SXS 48 FZ R
5	PM910190		BASKET ASM FZ
6	PK930107		FZ BASKET SIDE SPACER FRONT
7	12064701		PAD-GLIDE V12064701
8	L20910067		FZ SHELF BRACKET
9	PK930075		GLIDE SXS 48 FZ L



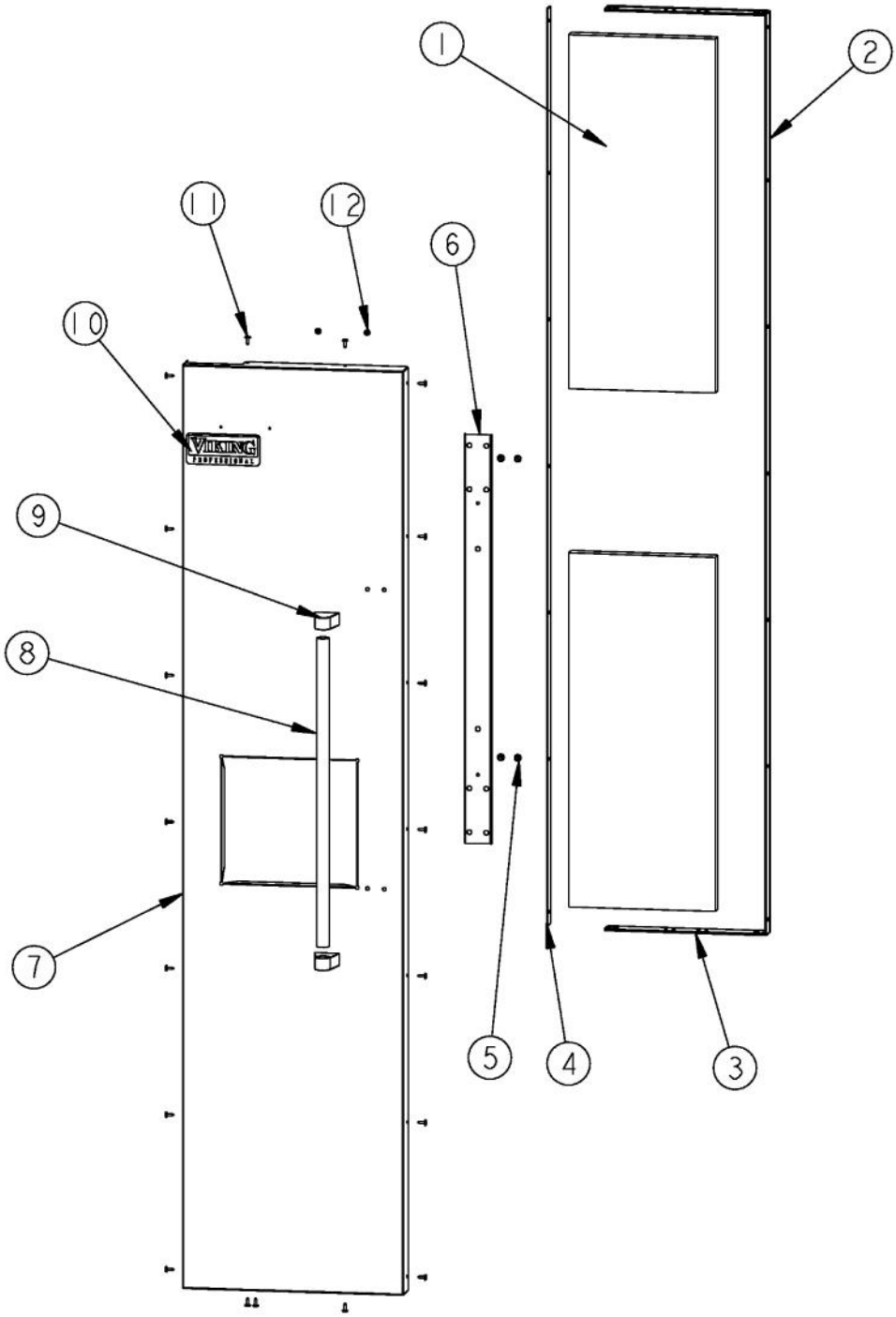
Ref #	Part Number	Qty.	Description
1	C90910058WH		COVER UPPER EVAP
2	PB920220		EXT FILL TUBE
3	PK030436		FILL TUBE
4	10276601		ELBOW-FILLER TUBE
NI	G5096419		FILL TUBE ASSY 10942511 (INCLUDES ITEMS NO. 3 AND NO. 4)
5	PE950158		MOTOR AUGER
6	C90914113WH		BRACKET - AUGER MOTOR (WH)
7	PD020194		SCREW-SM
8	PD020191		SCR. NO.10 PLAS HXW 1/2 S
9	B20911863		DRIVER ? ICE BUCKET RNG
10	M0223101		NUT LOCKING
11	PK930265		GLIDE R FZ
12	M0213503		SCREW-SM
13	PM910331		ICE BUCKET ASSY
14	PK930096		CLOSEOUT - ICE DISPENSER
15	PK930266		GLIDE L FZ
16	C90910027WH		SUPPORT LS ICE BUCKET
17	12258501		SUPPORT-SHELF
18	M0211021		SCREW-SM
19	PK930264		SHELF COVER
20	PM910435		RETAINER WIRE
21	G50911851		ICE MAKER ASM, SXS ND, AF



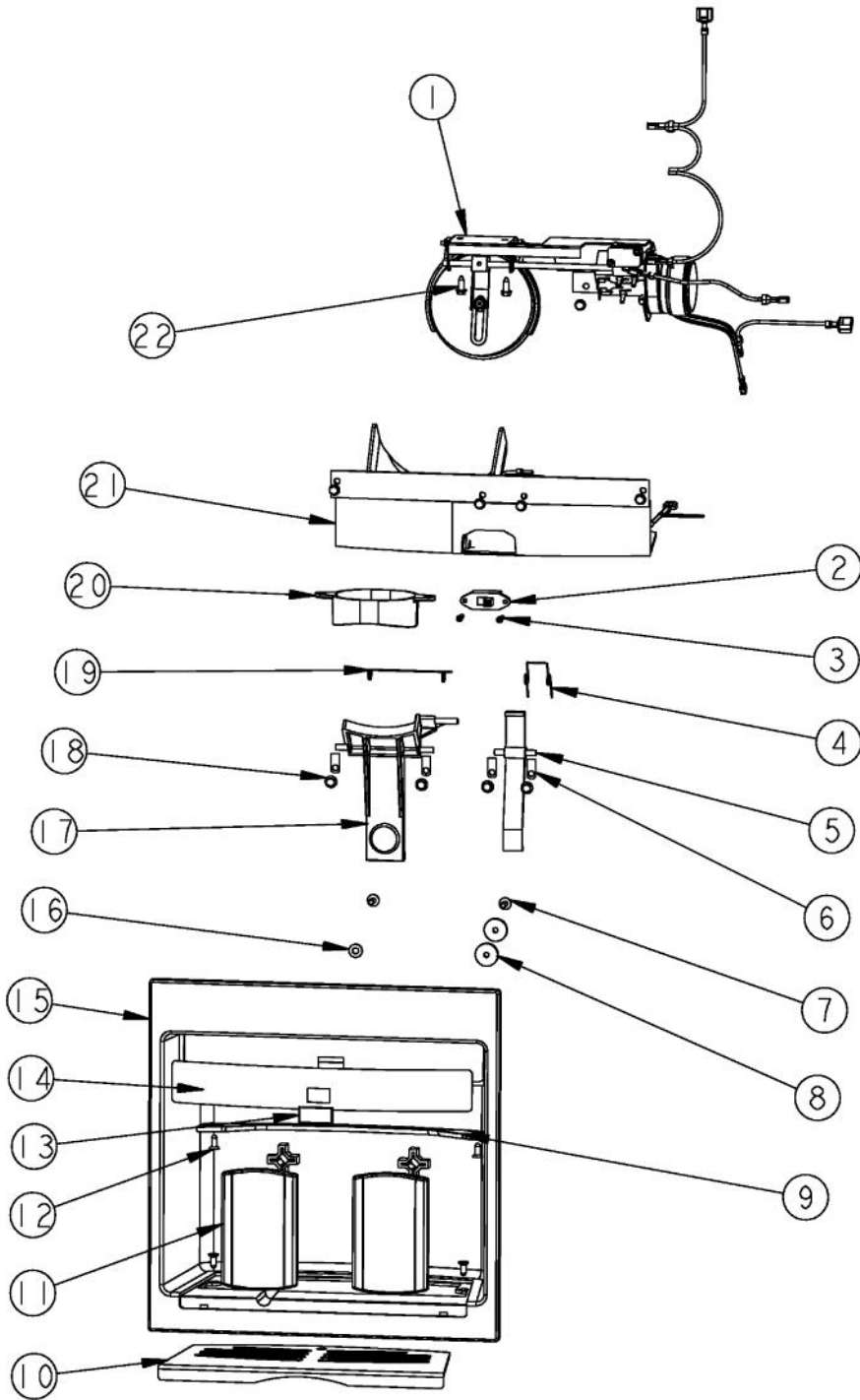
Ref #	Part Number	Qty.	Description
1	L2099475		BRACKET LIGHT SXS FZ
2	A3079001		LAMP - 40W
3	PE950125		LIGHT SOCKET
4	C90910058		UPPER EVAPORATOR COVER
5	M0221913		SCREW-SM
6	PK930086		COVER FAN SXS 48 FZ
7	M0288120		NUT-SPEED, VM0288120
8	K2096475		PLATE-FAN MNT 12404701
9	PD020188		SCR 8-18 BT HXWS 1 1/2
10	000732-000		FRESH FOOD FAN - 1.2 W
11	L20914115		FAN BRACKET
12	PD920193		SCREW
13	L20910056		COVER EVAP MOTOR
14	L20910057		COVER CENTER EVAP
15	C8983701		THERMISTOR
16	M0211014		SCREW-SM
17	L20910054		COVER LOWER EVAP
18	PM910375		LADDER R/L FZ
19	M0238535		SCREW-SM
20	L20910075		COVER EVAP FAN
21	L20914114		FAN COVER
22	PK930116		COVER LIGHT ASM SXS 42 FZ
23	PD020194		SCREW-SM



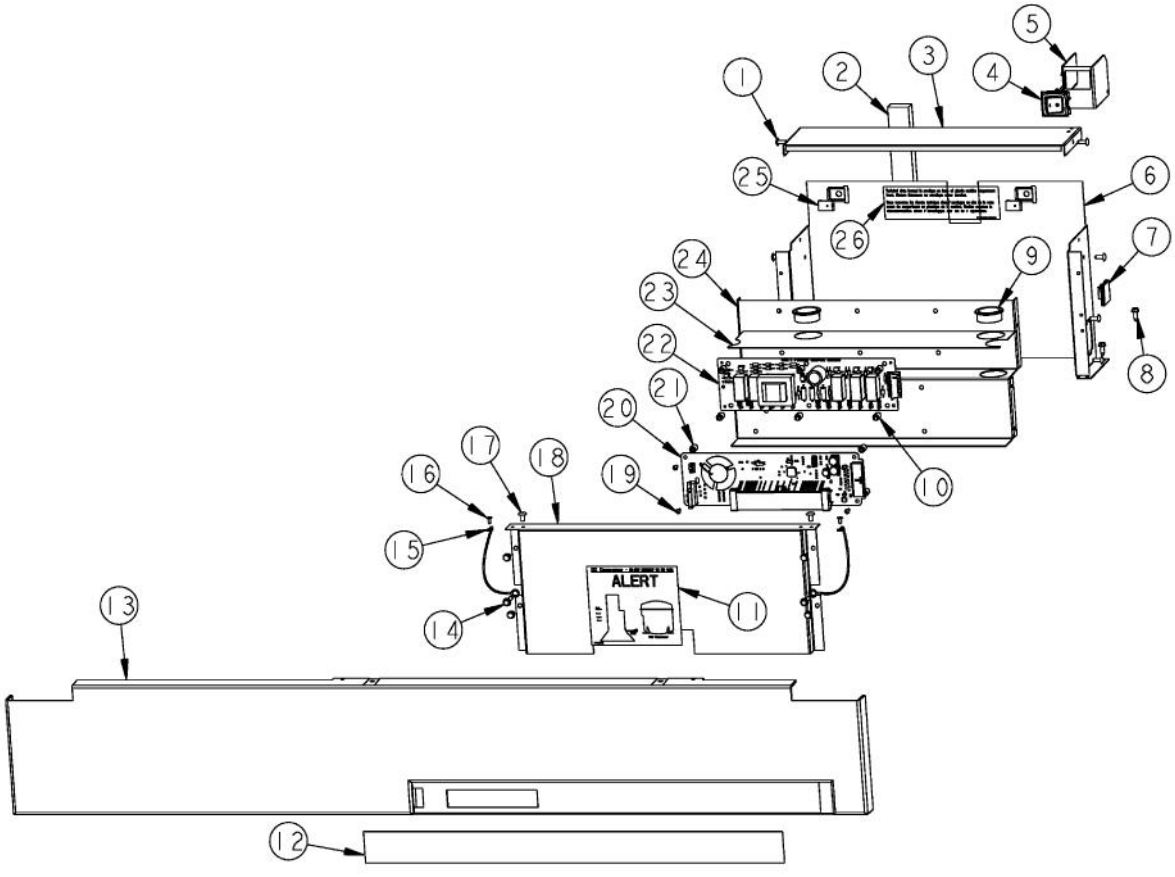
Ref #	Part Number	Qty.	Description
1	PD920174		10-32 TORX HEAD SCREW
2	PC020279		PIVOT PL ASM LH UP PRO/DES
3	PD040162		SPACER-DOOR HINGE
4	PK930297		ELBOW CHASE SXS DISP
5	PK930298		RETAINER ELBOW 42 SXS DISP
6	M0215318		SCREW-SM
7	PC020277		PIVOT PL ASM LH LW PRO/DES
8	M0210458		SCREW-SM
9	PD050019		STRIKER DOOR SWITCH
10	G5098676		DOORBIN ASM SXS 42 & 48 FZ
11	PB070331		DOOR GASKET (BEFORE 06-10-08)
11	005456-000		GASKET, ASM, 48, SXS, FZ DISP (ON OR AFTER 06-10-08)
12	G32915039		DOOR ASM 48D FZ (INCLUDES GASKET)



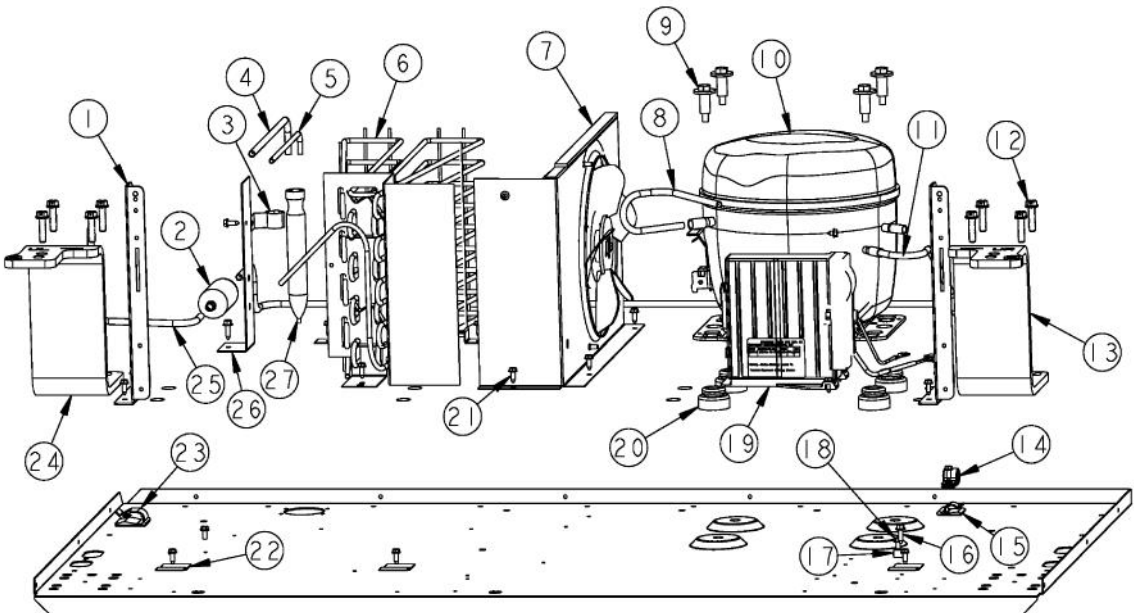
Ref #	Part Number	Qty.	Description
1	000657-000		BLOCK, EPS REF DOOR 42/48 SXS FZ PRO
2	PE940176		TRIM - DOOR SXS PRO SIDES
3	PK030560		TRIM DOOR BULLNOSE 48 FZ TOP/BOT
4	PD940087		SPACER DOOR SKIN-HINGE SIDE (75.1)
5	M0204303		SCREW-MACH
6	K2097526		BRACKET - HANDLE SUPPORT
7	002557-000		SKIN, DOOR, 48 FZ PRO DISP SS
	C90915921AL		DOOR SKIN 48 PRO FZ DISP
	C90915921BK		DOOR SKIN 48 PRO FZ DISP
	C90915921BT		DOOR SKIN 48 PRO FZ DISP
	C90915921BU		DOOR SKIN 48 PRO FZ DISP
	C90915921CB		DOOR SKIN 48 PRO FZ DISP
	C90915921EP		DOOR SKIN 48 PRO FZ DISP
	C90915921FG		DOOR SKIN 48 PRO FZ DISP
	C90915921GG		DOOR SKIN 48 PRO FZ DISP
	C90915921LE		DOOR SKIN 48 PRO FZ DISP
	C90915921MJ		DOOR SKIN 48 PRO FZ DISP
	C90915921SG		DOOR SKIN 48 PRO FZ DISP
	C90915921VB		DOOR SKIN 48 PRO FZ DISP
	L20915921WH		DOOR SKIN 48 PRO FZ DISP
8	PE930101		VCSB482 HANDLE -(12466403)
	PE030173PVD		BRASS HANDLE
9	PE030001		BRACKET, DOOR, HANDLE
	PE030001PVD		END CAP DOOR HANDLE XBR
10	PE010030		LOGO, 6, PRO, BK
	PE010068		LOGO, 6, PRO, BK/BR
	PE010031		LOGO 6 (VGRC) XBK/WHX
	PE010076		LOGO 6 (VGRC) XBR/WHX
11	M0210458		SCREW-SM
12	PD030006		CAPPED WASHER PAL NUT



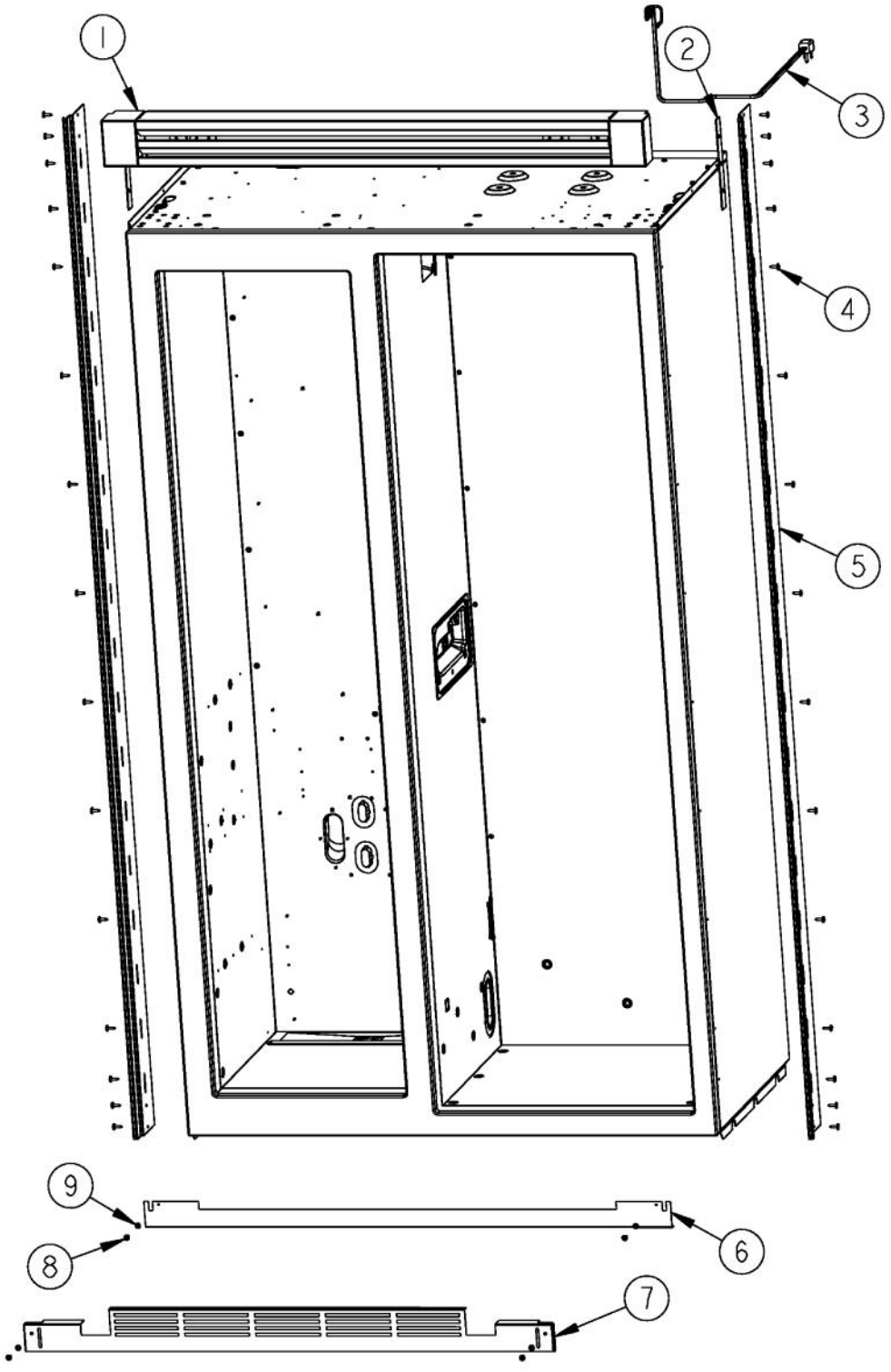
Ref #	Part Number	Qty.	Description
1	G50914150		ICE DISPENSER MODULE ASM
2	PE950152		SWITCH SLIDE
3	00334-000		SCREW, NO.4-24 X 1/2
4	B8385402		SPRING-RETURN
5	PK930404		ARM WATER ACTUATOR
6	B10910081		DISP RETAINER ICE ARM
7	M0210443		SCREW-E SM
8	M0270546		WASHER
9	12268304		STOP FACADE
10	PB980023		SPILL TRAY - I/W DISPENSER
11	12221005		PAD ACTUATOR
12	M0215318		SCREW-SM
13	PK930145		CAP - BLACK SWITCH
14	PB910281		INSERT FACADE SXS DISPENSER
15	PB910232		BEZEL I/W DISPENSER PRO
16	PD040071		NO.8-.437 O.D. FLAT WASHER SS
17	PK030470		ARM ICE ACTUATOR
18	PD020193		SCR 8-18 X 3/8
19	PC010022		SPRING RETURN ICE ACTUATOR
20	PM010625		SHROUD ICE DISPENSER BK
21	PE070755		DISPENSER CAVITY ASSEMBLY
22	PD020194		SCREW-SM
NI	011209-000		6 WATT LIGHT BULB



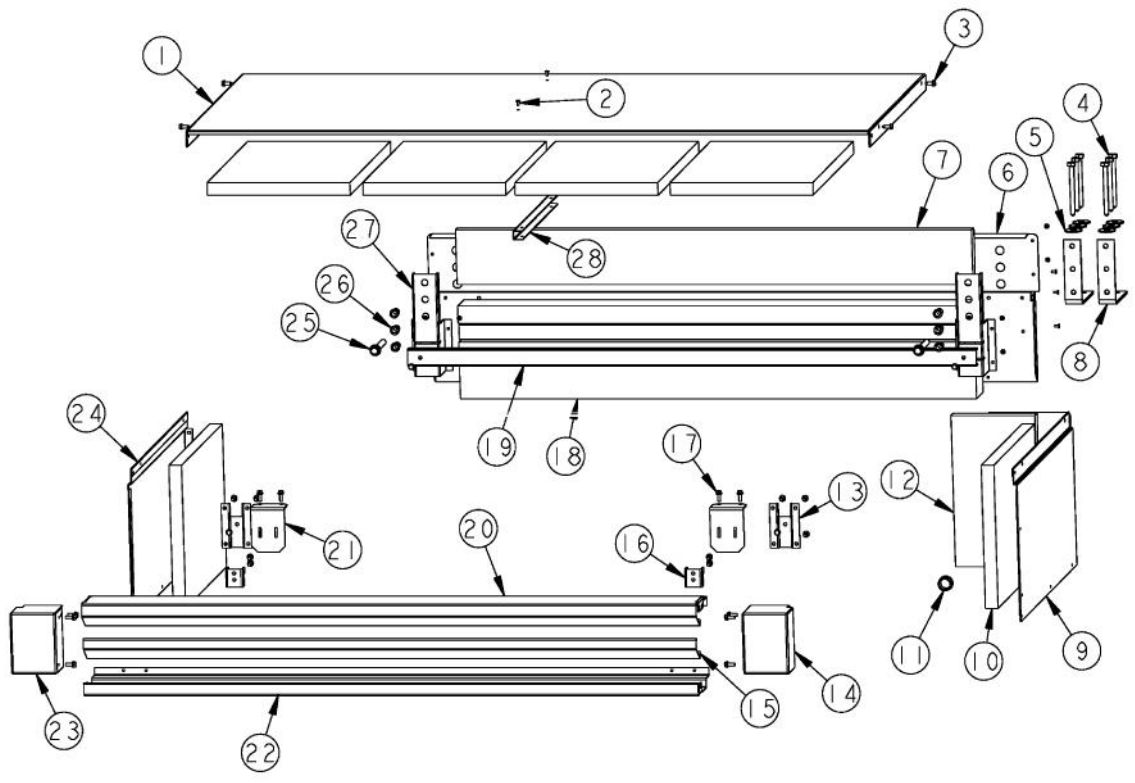
Ref #	Part Number	Qty.	Description
1	PC040010		POP RIVET
2	A3030361		GASKET, RED
3	K20915000		CONTROL BOX TOP
4	PE950149		SWITCH POWER
5	K2098654		BRACKET SWITCH POWER
6	K2099402		CONTROL BOX
7	M0104106		CLIP-CORD VM0104106
8	PD020194		SCREW-SM
9	A4554817		BUSHING-SNAP VA4554817
10	M0585504		SUPPORT
11	PF930672		LABEL DC COMPRESSOR
12	PE950172		OVERLAY SWITCH SXS 48 NON - DISP
13	PK930248		COVER PANEL 48 SXS
14	M0238846		SCREW-SHLDR
15	12064001		SUPP-CONT PANEL
16	PC040010		POP RIVET
17	M0224128		SCREW-SM
18	K20910061		CONTROL BOX FRONT
19	PD020013		TYPE AB NO.6 X 3/8 PH PAN HD. SMS
20	PE070728		BOARD LOW VOLTAGE
21	M0585506		SUPPORT
22	PE970463		POWER CONTROL BOARD
23	PM910325		FILM PROTECTIVE
24	K20910060		BRACKET - PC
25	M0288120		NUT-SPEED, VM0288120
26	PF930487		TECH LITERATURE LABEL - 2



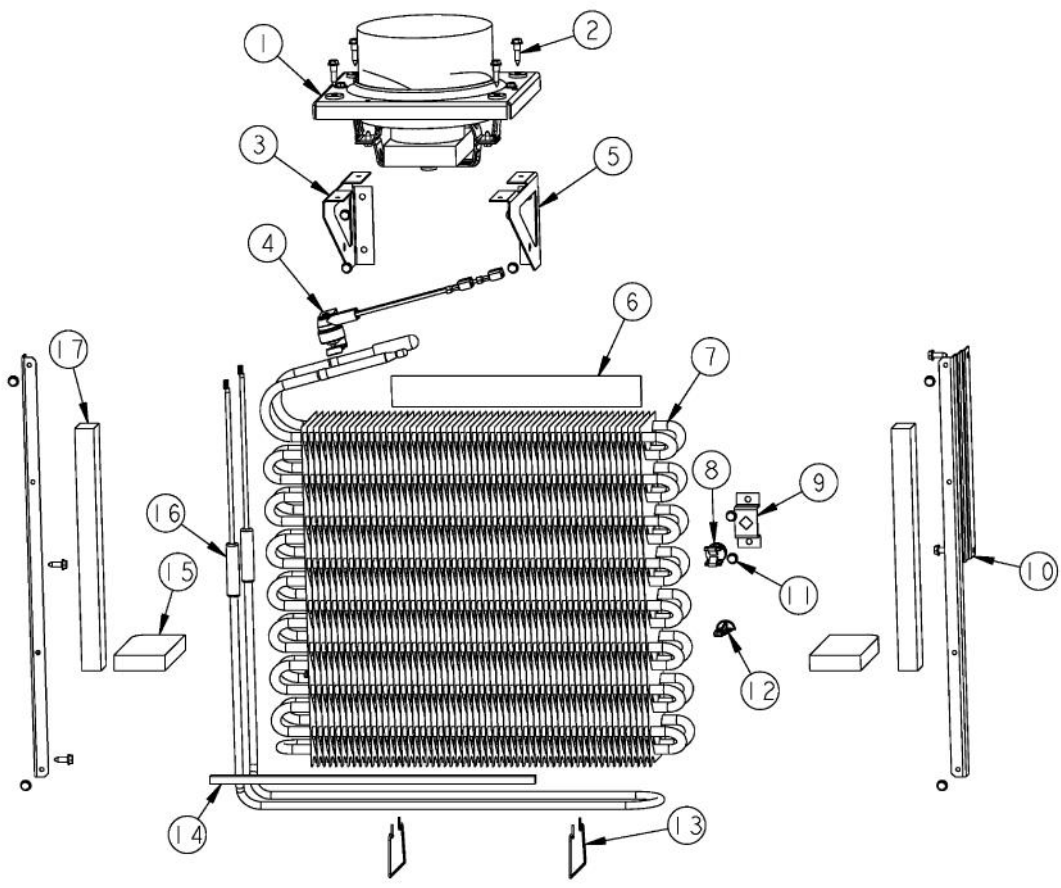
Ref #	Part Number	Qty.	Description
1	K20912569		BRACKET GRILLE SUPPORT
2	PB920201		ACCUMULATOR
3	10547001		CLIP-DRIER V10547001
4	F2097740		TUBE PROCESS
5	F2096504		TUBE-DRIER EXT
6	PB920171		CONDENSER ASM
7	G5096494		COND. FAN ASSY
8	F2096507		TUBE-PROCESS GRN
9	M0221523		SCREW - SHLDR
10	G5097976		COMPRESSOR ASSEMBLY (363 AND 483)
11	F2099443		TUBE DISCHARGE FORMED PRE ACCUM
12	000570-000		HEX SCREW
13	PC920203		HINGE ASM UR
14	PD030118		SCREW - SHLDR
15	M0104106		CLIP-CORD VM0104106
16	PD020195		SCR 8-18 X 5/8
17	M0103904		CLAMP-SPEED
18	PD020010		10 X 3/8 GREEN GROUNDING SCREW
19	PE070849		INVERTER
20	10835901		GROMMET RUBBER V10835901
21	PD020194		SCREW-SM
22	K2096943		PANEL BRACKET
23	M0104102		CLIP-CORD RED
24	PC920204		HINGE ASM UL
25	F2099444		TUBE DISCHARGE FORMED POST ACCUM
26	K2099454		BRACKET DRIER
27	10743201		DRIER, HI SIDE



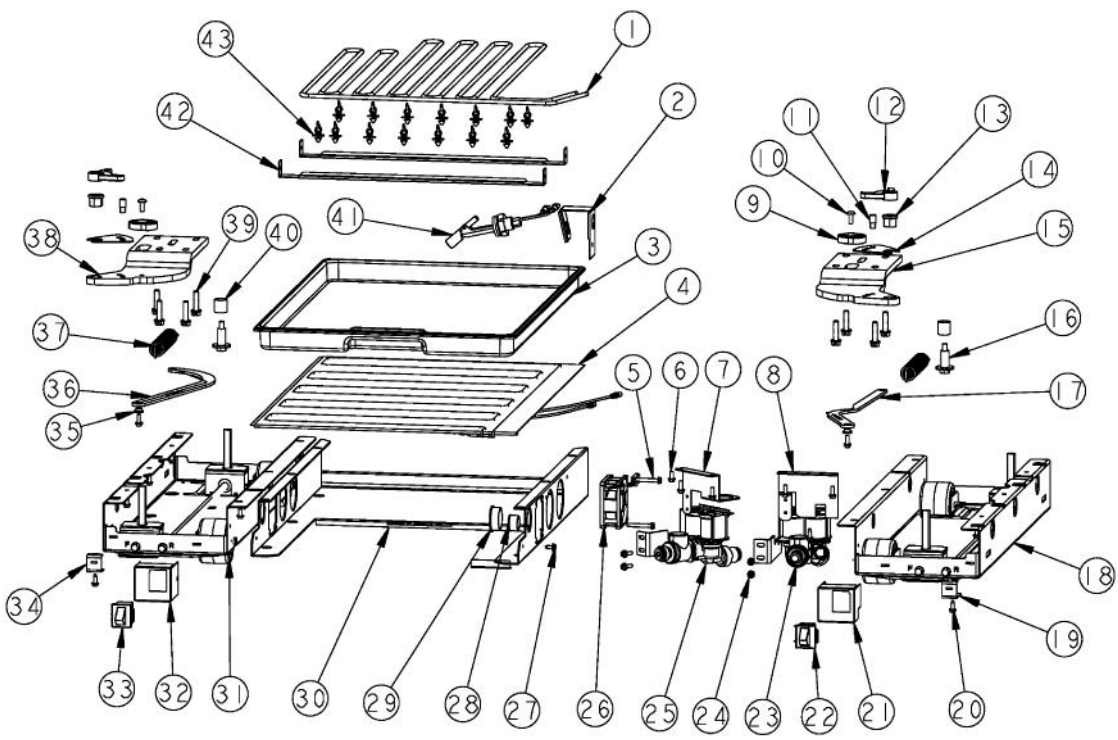
Ref #	Part Number	Qty.	Description
1	G32912578		GRILLE ASM SXS 48 PRO FOR BREAKDOWN SEE PAGE 016
2	12135402		SHIM-CAB TRIM
3	10916507		TUBE-PROCESS GRN
4	M0210458		SCREW-SM
5	PK910123		SIDE TRIM - PRO
6	000152-002		KICKPLATE, LWR
7	C90910004BK		GRILLE TOE VENTED
8	M0210443		SCREW-E SM
9	40370P01		NYLON FLAT WASHER V40370P01



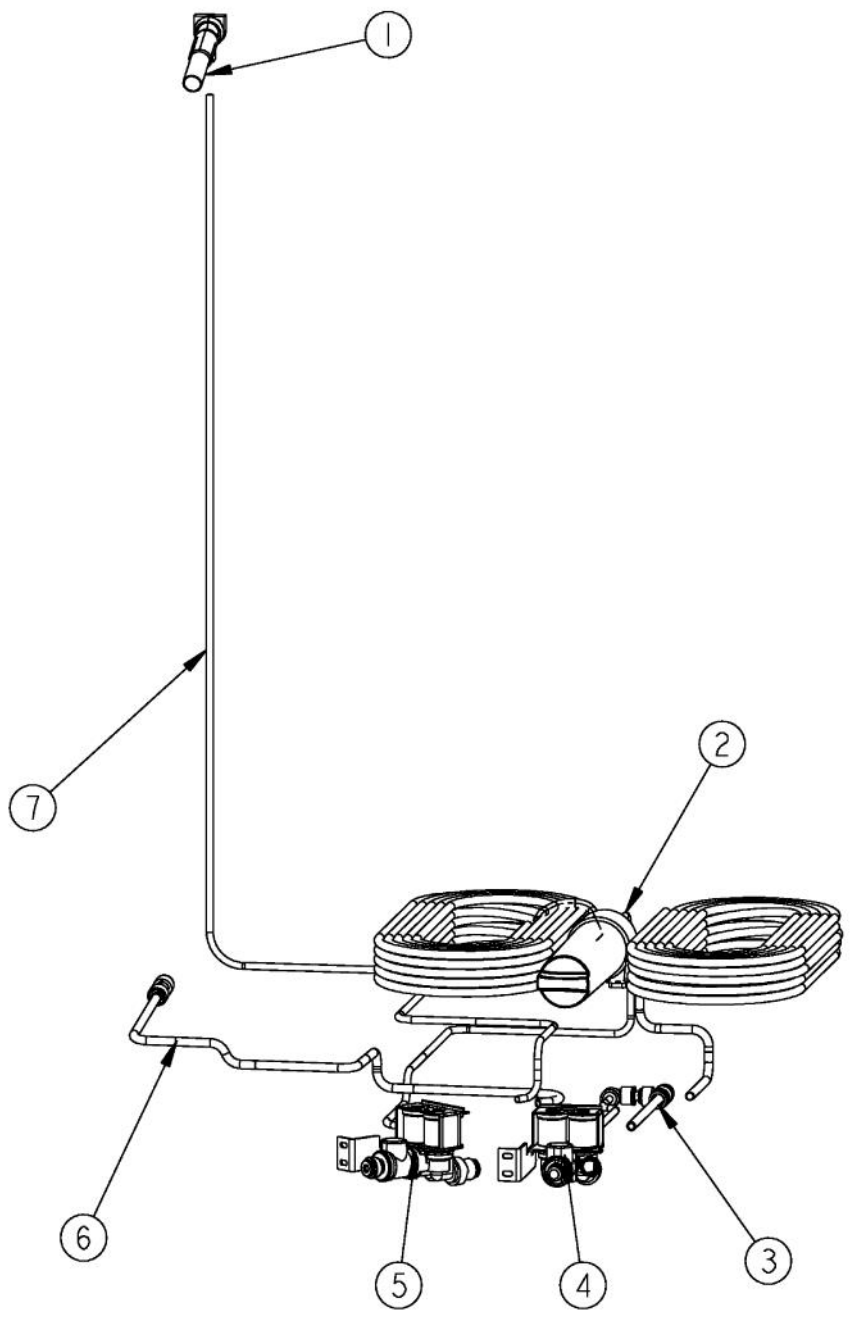
Ref #	Part Number	Qty.	Description
1	K20910007		MC TOP SXS 48
2	PC040010		POP RIVET
3	PD020194		SCREW-SM
4	M0223509		SCREW-LAG
5	M0270510		WASHER
6	K20910008		MC BACK SXS 48
7	PB070362		INSULATION MC COVER
8	PK910089		BRACKET, ANTI - TIP
9	K2099459		MC SIDE R
10	PB070355		INSULATION MC COVER
11	A4554806		BUSHING-SNAP VA4554806
12	PB970171		MC INSULATION - BACK SIDE
13	PK050004		BRACKET GRILLE
14	B20911817		GRILLE ENDCAP PRO R
15	B20913081		GRILLE LOUVER MIDDLE SXS 48 PRO
16	B2096961		BRACKET-LOUVER
17	M0220417		SCREW-TC
18	PB070361		INSULATION MC COVER
19	K20915904		CROSSMEMBER PSM 48
20	B20913079		GRILLE LOUVER TOP SXS 48 PRO
21	B2096962		BRACKET-LOUVER SUP
22	B20913083		GRILLE LOUVER BOTTOM SXS 48 PRO
23	B20911816		GRILLE ENDCAP PRO L
24	K2099460		MC SIDE L
25	PD020233		SCR LAG 5/16-9 GX 5/16X7/16 WAF IHXW 3 S ZN
26	PD040157		BEARING SLEEVE
27	K20915675		BRACKET PSM
28	K2099455		SUPPORT MC Z



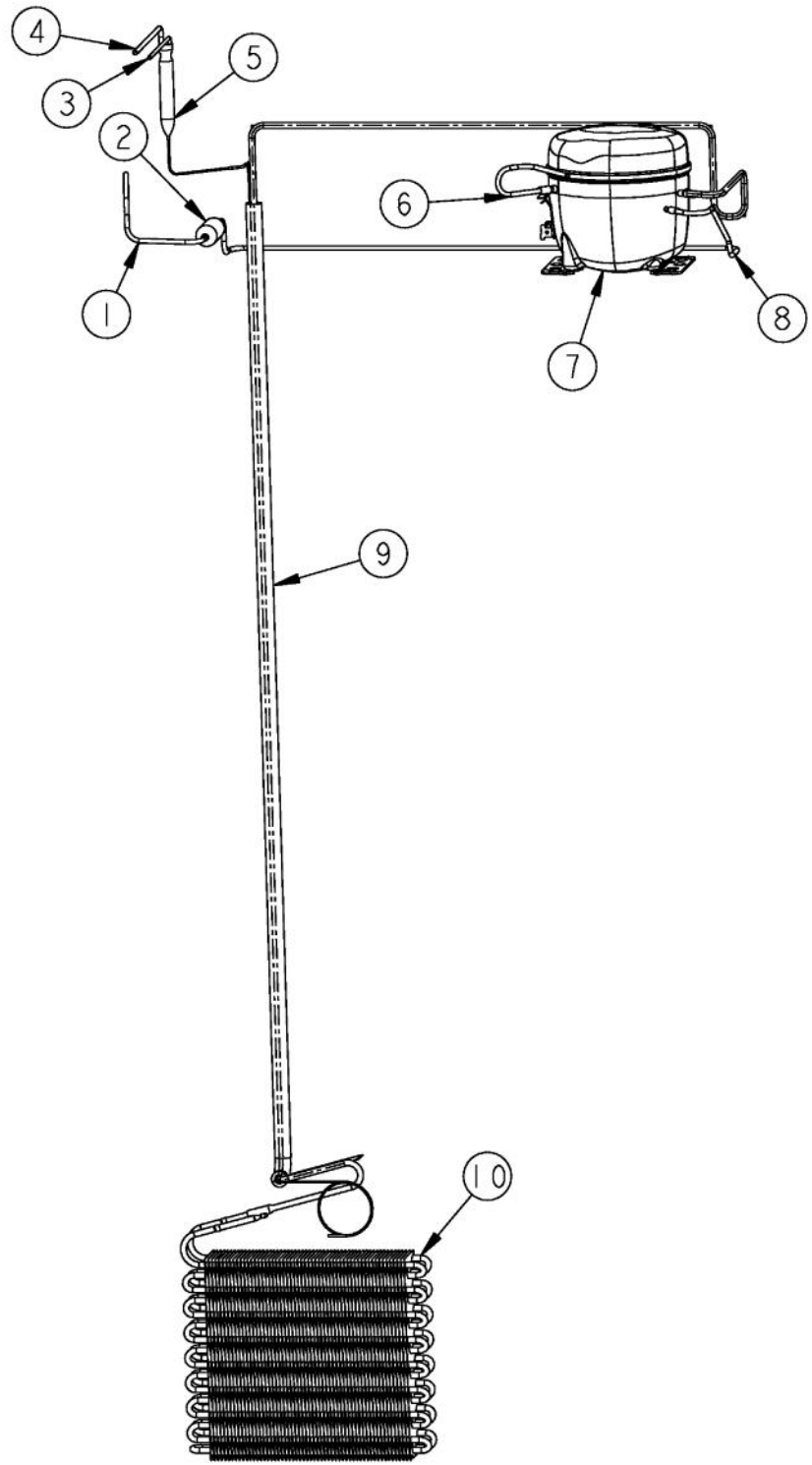
Ref #	Part Number	Qty.	Description
1	G5098660		FAN EVAP ASM
2	M0238859		SCREW-SHLDR
3	K2096458		BRKT-L-EVAP-FAN 12223102
4	PB910259		THERMOSTAT DEFROST TERMINATOR
5	K2096457		BRKT-R-EVAP FAN 12223101
6	A3189370		GASKET-FOAM VA3189370
7	PM910206		EVAPORATOR SXS 48
8	10623003		CLIP-EVAP
9	K2096456		BRKT-EVAP CLIP 12215101
10	K2096461		BRKT-EVAP COVER 12234801
11	PD020194		SCREW-SM
12	10527401		CLIP-EVAP
13	10428101		CLIP-EVAP HTR V10428101
14	A3030303		GASKET
15	10629001		BLOCK-R AIR COIL RED
16	PJ910031		HEATER EVAP SXS
17	A3030361		GASKET, RED



Ref #	Part Number	Qty.	Description
1	F20915693		SERPENTINE CONDENSER DRAIN ALL SXS'S
2	B20915627		BRACKET HORIZ FLOAT SWITCH
3	PK930348		PAN DRAIN
4	G50914125		TRAY PAN HEATER
5	PD020274		SCR SLTD HEX WSHR HD 8X1.250 BT
6	PD020010		10 X 3/8 GREEN GROUNDING SCREW
7	K20914175		BRACKET, DUAL VALVE, J.G. INLET
8	K20913790		BRKT VALVE H2O DUAL
9	PM010602		CAM DOOR ADJUSTMENT
10	PD020234		SCREW THP 10-32 X .500 SS BO
11	PC930145		DOOR STOP PIN
12	PD940091		BUSHING - DOOR STOP
13	PD940090		BUSHING - WC DOOR LEVEL
14	PC920144		PLATE - WC DOOR SHIM
15	PC920215		HINGE PLATE SXS LR
16	M0221523		SCREW - SHLDR
17	PC920166		BAR-WC BOT HINGE RH
18	PM910398		LEVELER ASSEMBLY - R
19	K2098044		BRKT GRILLE SUPPORT
20	PD020194		SCREW-SM
21	002667-000		SWITCH,GRILLE,MT,RH
22	PE950147		SWITCH SPST NC BLACK
23	PA070014		VALVE WATER DOUBLE COMP. INLET
24	M0220417		SCREW-TC
25	PA970010		SUB TO G50911843 - VALVE WATER
26	000731-000		AXIAL FAN
27	M0253916		SCREW-TF
28	A4554806		BUSHING-SNAP VA4554806
29	A4554817		BUSHING-SNAP VA4554817
30	K20915952		SHIELD BOTTOM DRAIN
31	PM910399		LEVELER MODULE L
32	002668-000		SWITCH,GRILLE,MT,LH
33	PE950146		SWITCH SPDT BLACK
34	K2098096		BRKT GRILLE SUPPORT
35	PD940094		BUSHING
36	PC920149		BAR-WC BOT HINGE LH
37	PC910015		SPRING EXTENSION
38	PC020289		HINGE PLATE LL
39	000570-000		HEX SCREW
40	PD940107		ROUND SPRING SPACER
41	PE050248		FLOAT SWITCH HORIZONTAL
42	K20911831		BRACKET CONDENSATE SUPPORT
43	PD030146		STAND OFF LOCK CLIP



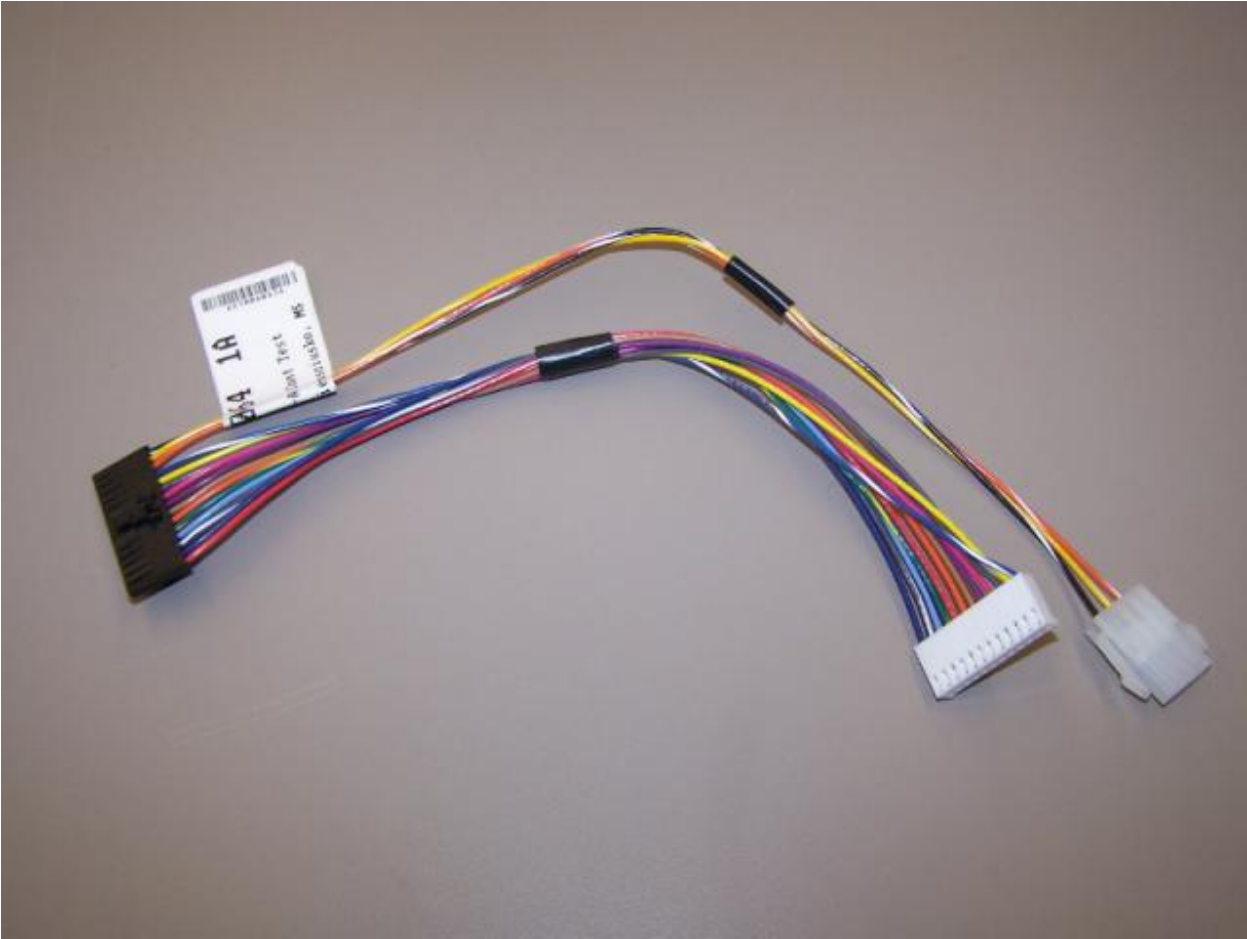
Ref #	Part Number	Qty.	Description
1	G5096419		FILL TUBE ASSY 10942511
2	PA030019		FILTER/COIL TUBE ASM
3	PB020322		TUBE AND FITTING ASM
4	PA070014		VALVE WATER DOUBLE COMP. INLET
5	PA970010		SUB TO G50911843 - VALVE WATER
6	PB020294		TUBE ASM-DOOR TO VALVE
7	PB020303		PLASTIC TUBING-IM WATERLINE SXS DISP
NI	PB020302		PLASTIC TUBING-DOOR WATERLINE SXS DISP



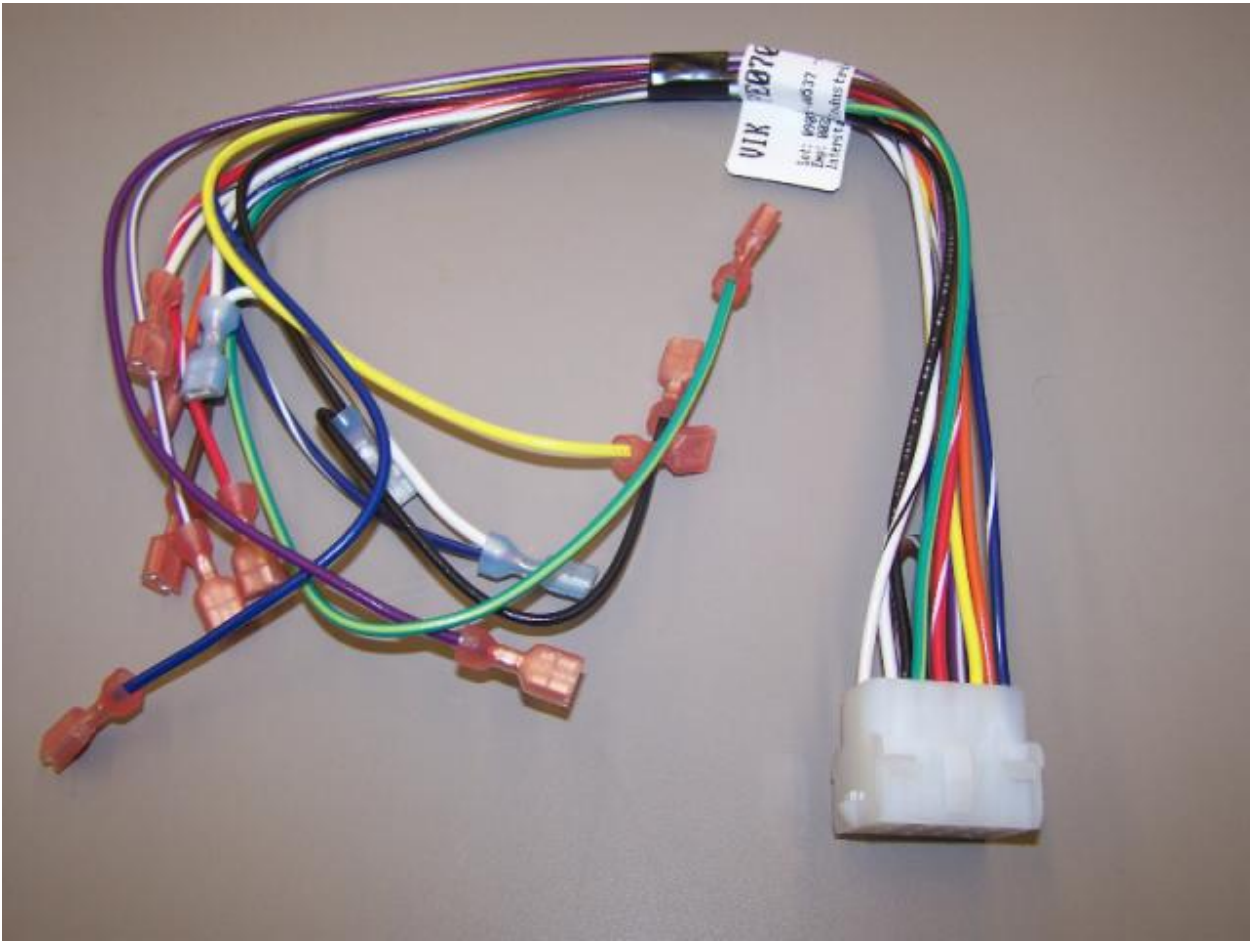
Ref #	Part Number	Qty.	Description
1	F2099444		TUBE DISCHARGE FORMED POST ACCUM
2	PB920201		ACCUMULATOR
3	F2096504		TUBE-DRIER EXT
4	F2097740		TUBE PROCESS
5	10743201		DRIER, HI SIDE
6	F2096507		TUBE-PROCESS GRN
7	G5097976		COMPRESSOR ASSEMBLY (363 AND 483)
8	F2099443		TUBE DISCHARGE FORMED PRE ACCUM
9	F20910021		HEAT EXCHANGER ASM SXS 48
10	PM910206		EVAPORATOR SXS 48



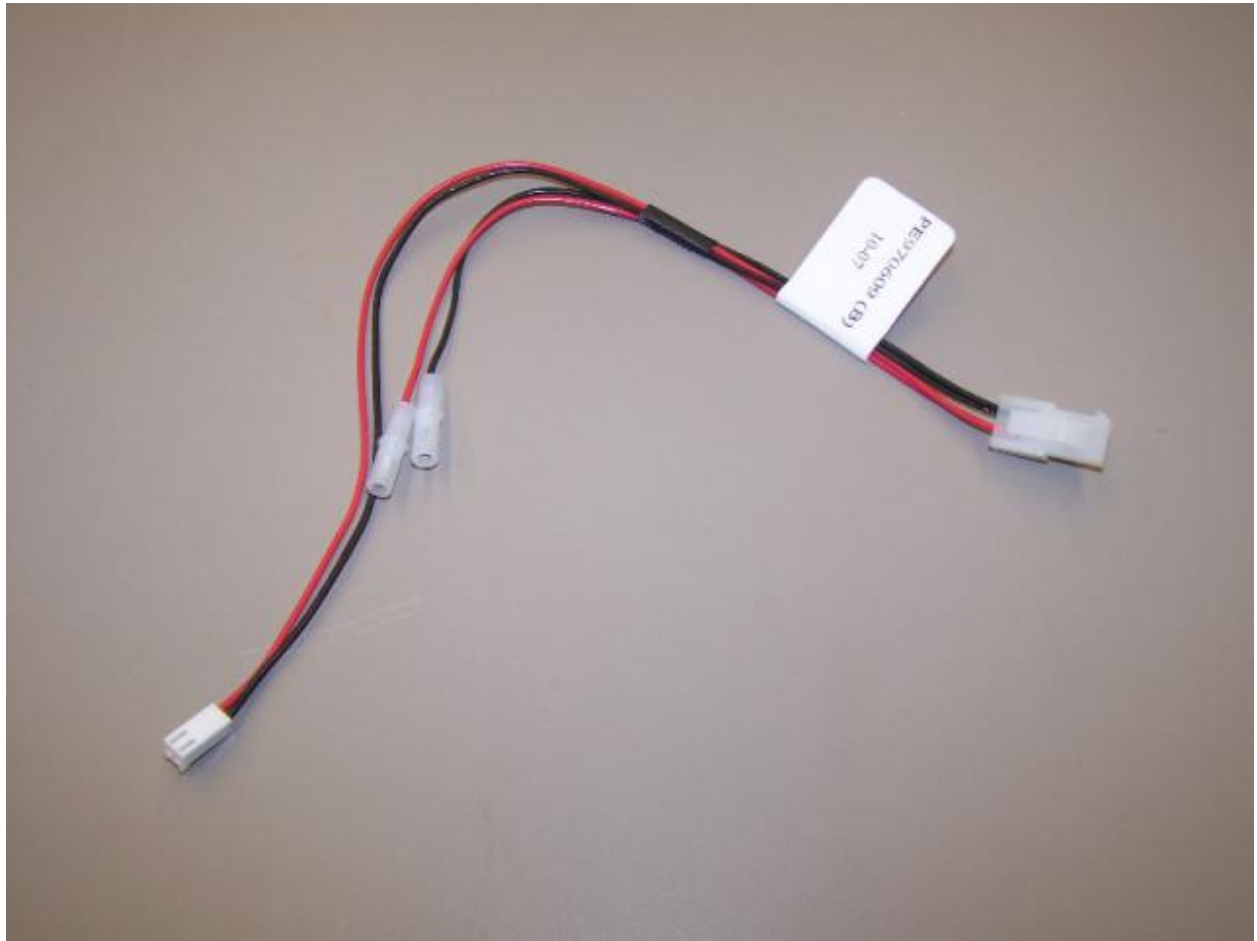
Ref #	Part Number	Qty.	Description
1	PE970595		HARNESS MACH SXS



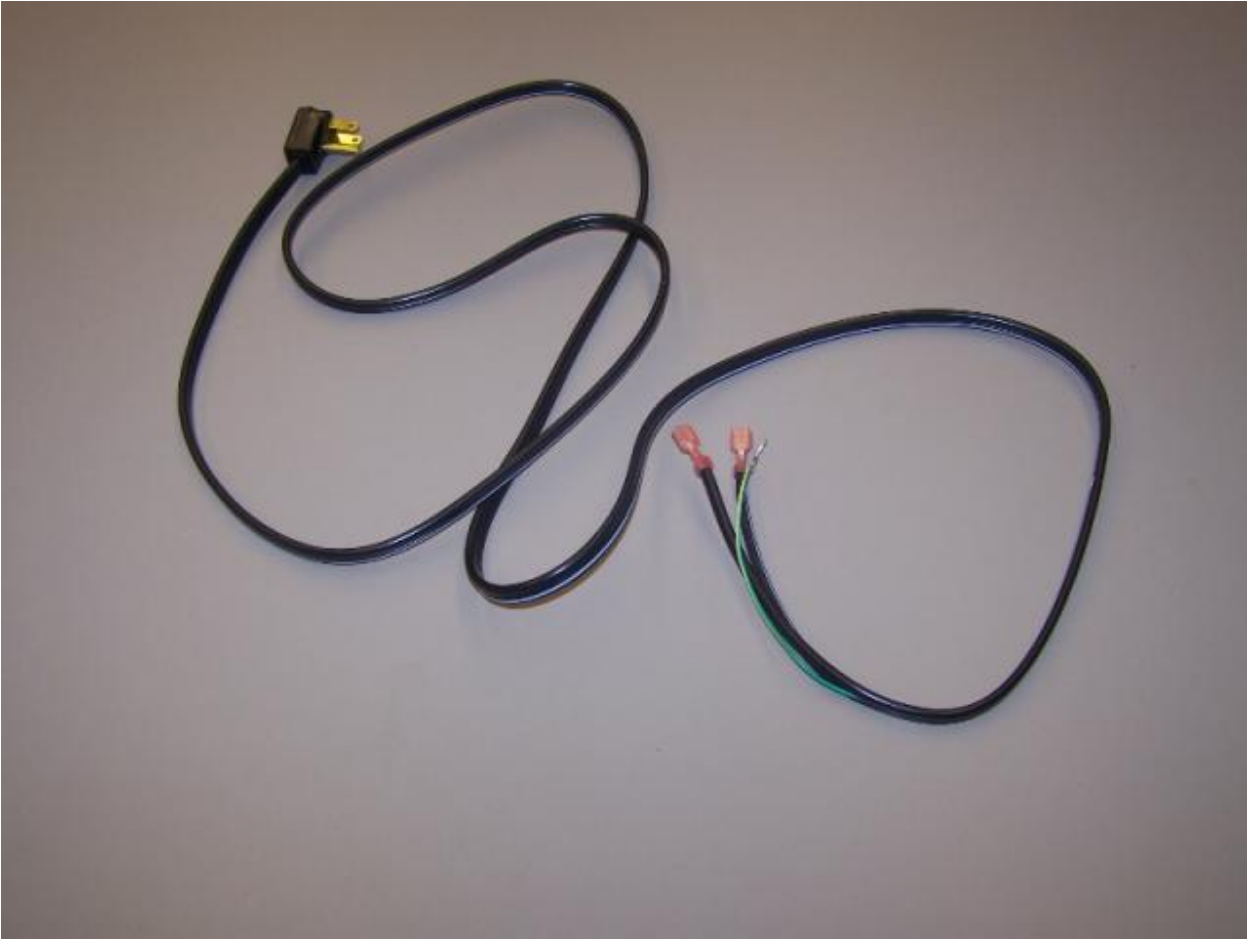
Ref #	Part Number	Qty.	Description
1	PE970464		HARNESS LOW VOLT



Ref #	Part Number	Qty.	Description
1	PE070785		HARNESS HIGH VOLT



Ref #	Part Number	Qty.	Description
1	PE970609		HARNESS CONTROL BOARD



Ref #	Part Number	Qty.	Description
1	10916507		TUBE-PROCESS GRN

*No Image
Available*

Ref #	Part Number	Qty.	Description
1	040078-000	1	HARNESS, JUMPER DISP CAVITY

*No Image
Available*

Ref #	Part Number	Qty.	Description
1	040066-000	1	HARNESS JUMPER LOWER

*No Image
Available*

Ref #	Part Number	Qty.	Description
1	040085-000	1	HARNESS, MAIN