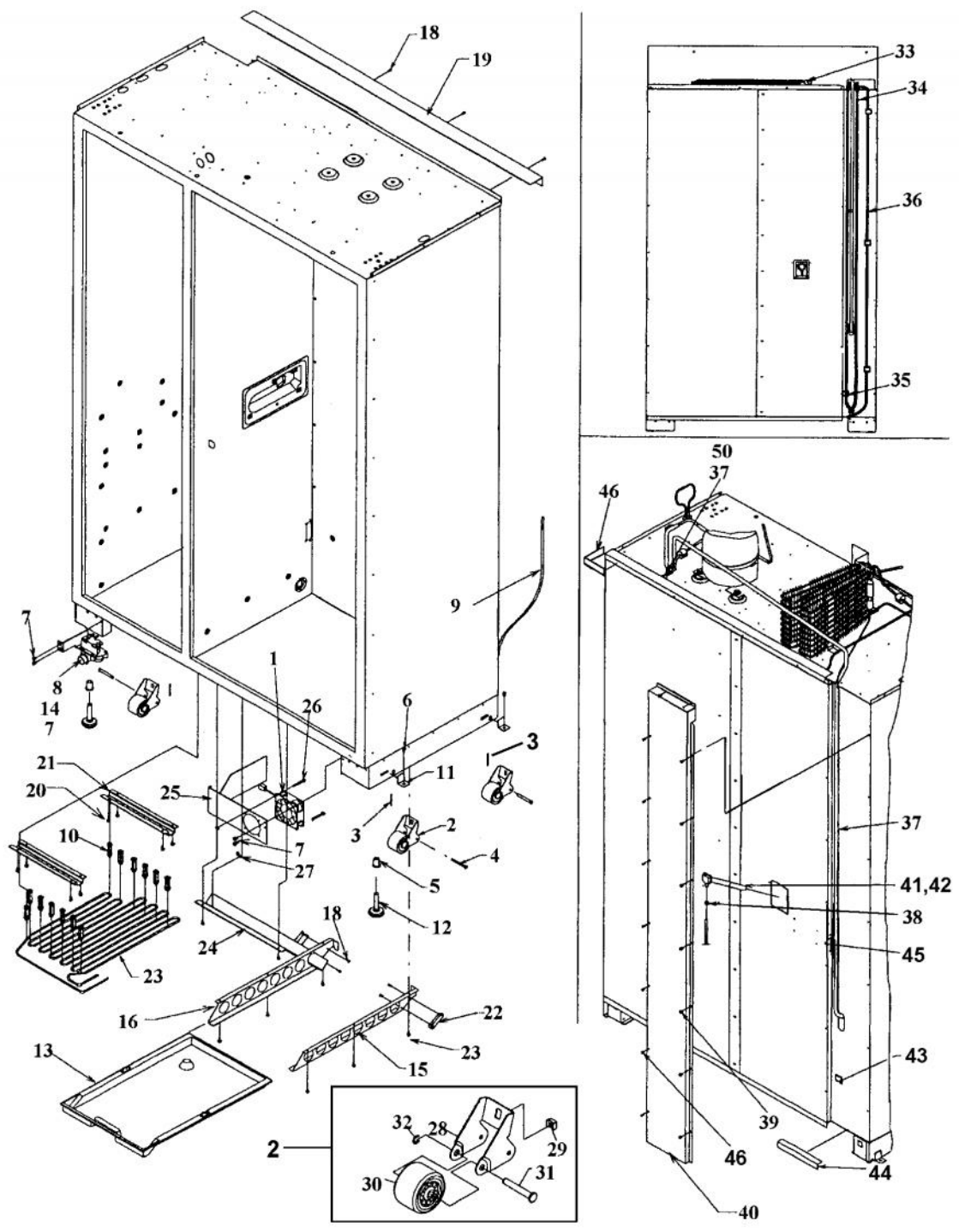
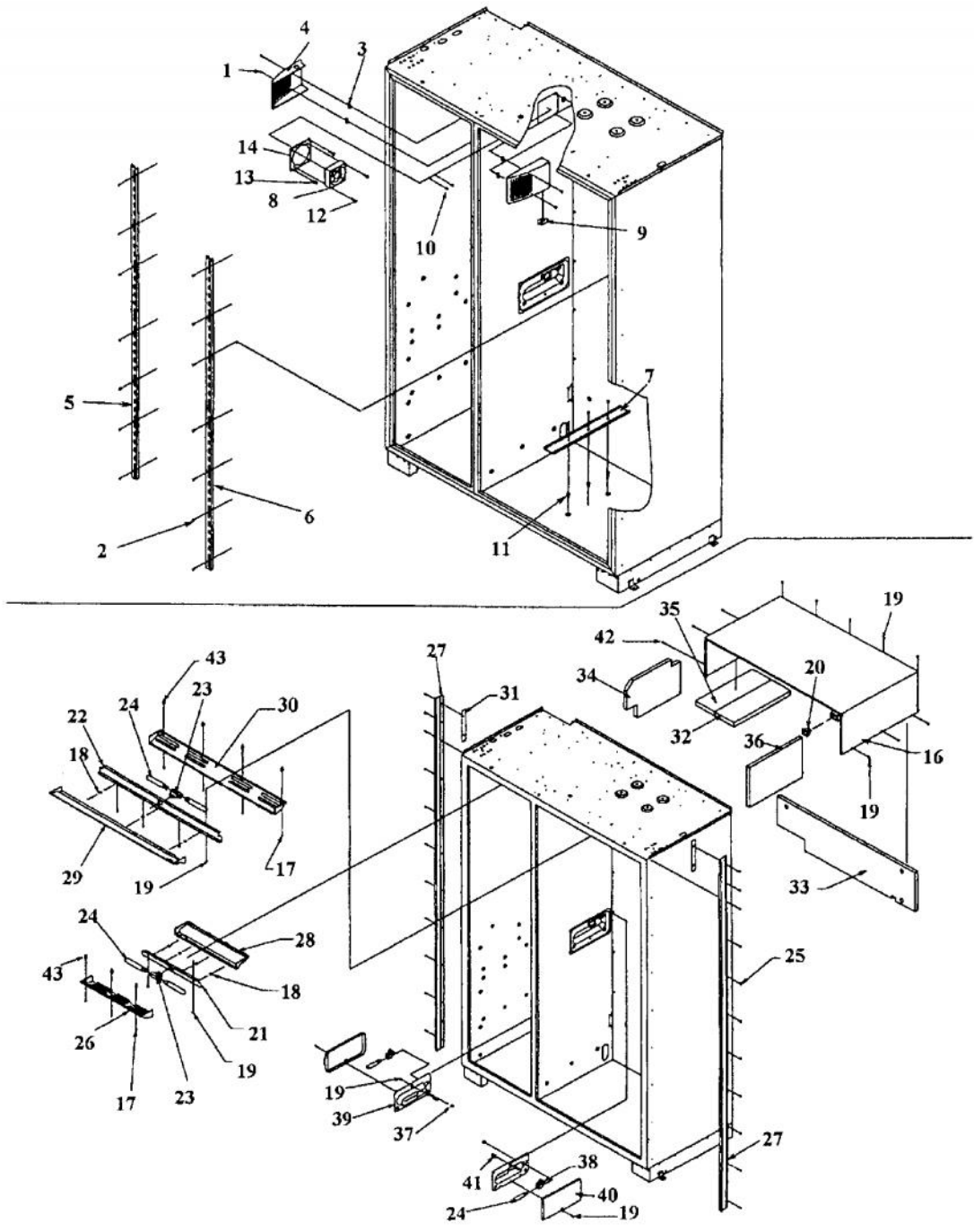


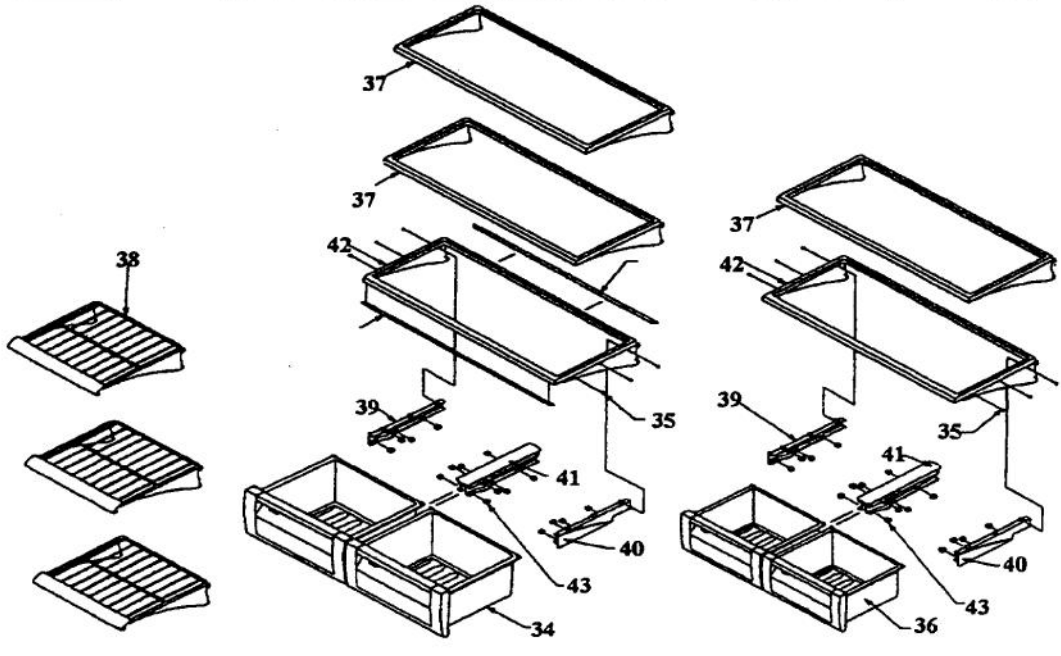
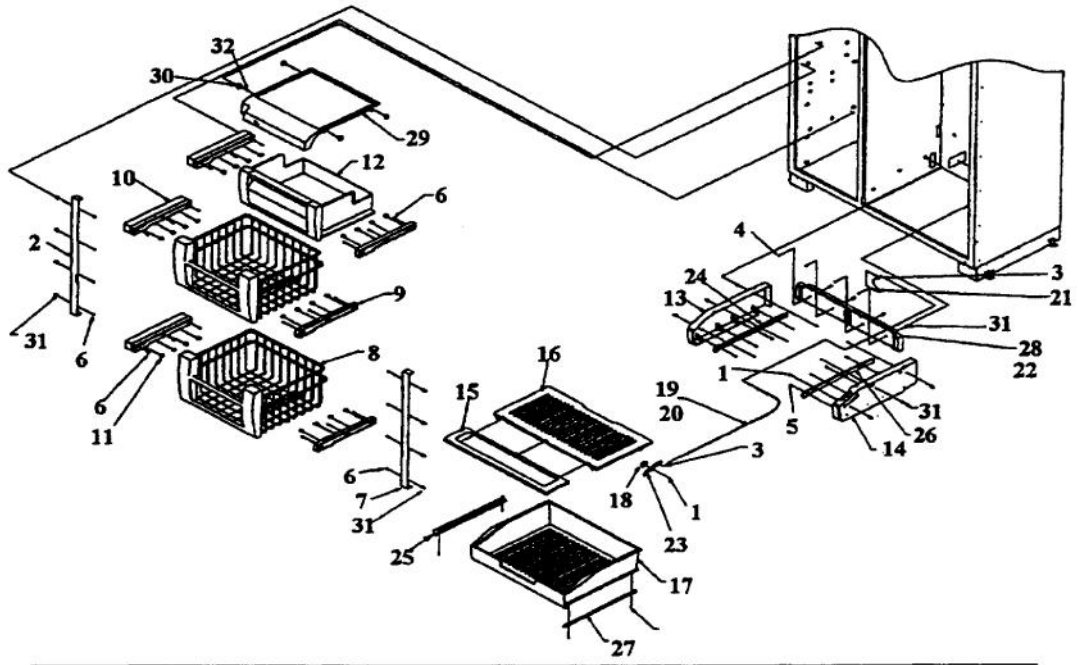
| Ref # | Part Number | Qty. | Description |
|-------|-------------|------|-------------------------------------|
| 1 | G50911858 | | ICE MAKER ASM, SXS ND, AF |
| 2 | M0238616 | | SCREW-SM |
| 3 | K2096449 | | SHIM-LOWER HINGE 12198501 |
| 4 | K2096450 | | SHIM-LOWER HINGE 12198502 |
| 5 | PC920071 | | DOOR CLOSURE |
| 6 | PC920060 | | LOWER HINGE ASSY - RH (S X S) |
| 7 | PC920061 | | LOWER HINGE LH VCSB482 |
| 8 | PK900026 | | PLATE-BOTTOM HINGE SUPPORT SXS |
| 9 | M0272803 | | WASHER-LOCK |
| 10 | M0321202 | | TIE-ELEC |
| 11 | M0204339 | | SCREW-ADJ ROLLER VM0204339 |
| 12 | 10093305 | | SCREW-ADJ ROLLER V10093305 |
| 13 | M0202528 | | SCREW-MACH NO. |
| 14 | A3127415 | | EXT-FILL TUBE |
| 15 | C2097183 | | SUPPORT IM ND SXS 48 |
| 16 | K2096464 | | BKT-ND IM 12265501 |
| 17 | M0238734 | | SCREW-TF |
| 18 | M0220928 | | SCREW, SHOULDER |
| NI | 10526701 | | CLAMP-WIRE V10526701 |
| NI | G5096513 | | 48 TOE GRILLE PACKED ASSY |
| NI | M0270510 | | WASHER |
| 19 | 12460005 | | ACCESSORY ASSEMBLY - INCLUDES: |
| NI | PC920050 | | HNGE TP RLW VCBB360RSS RE V12119503 |
| NI | PC920052 | | HINGE TAP L LW REP V12119504 |
| NI | K1096533 | | SHIM-HINGE HALF |



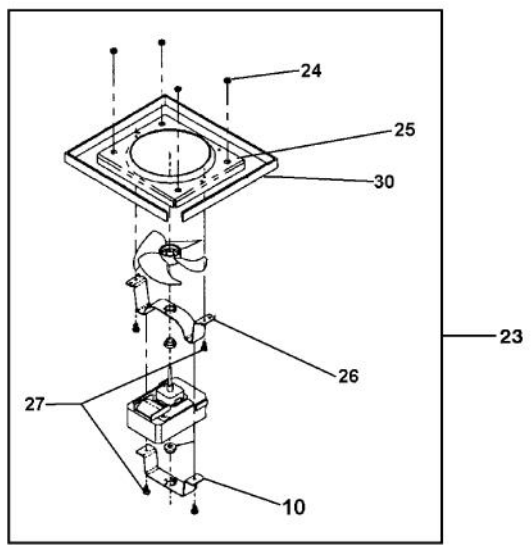
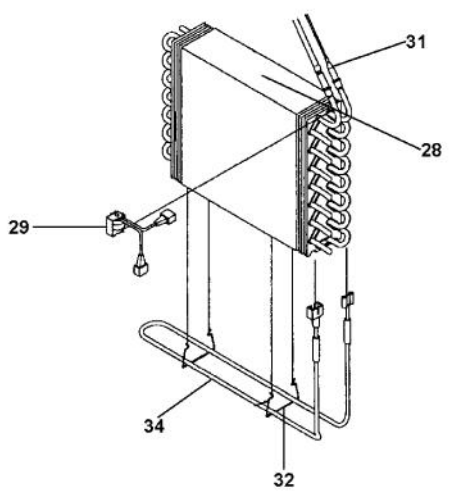
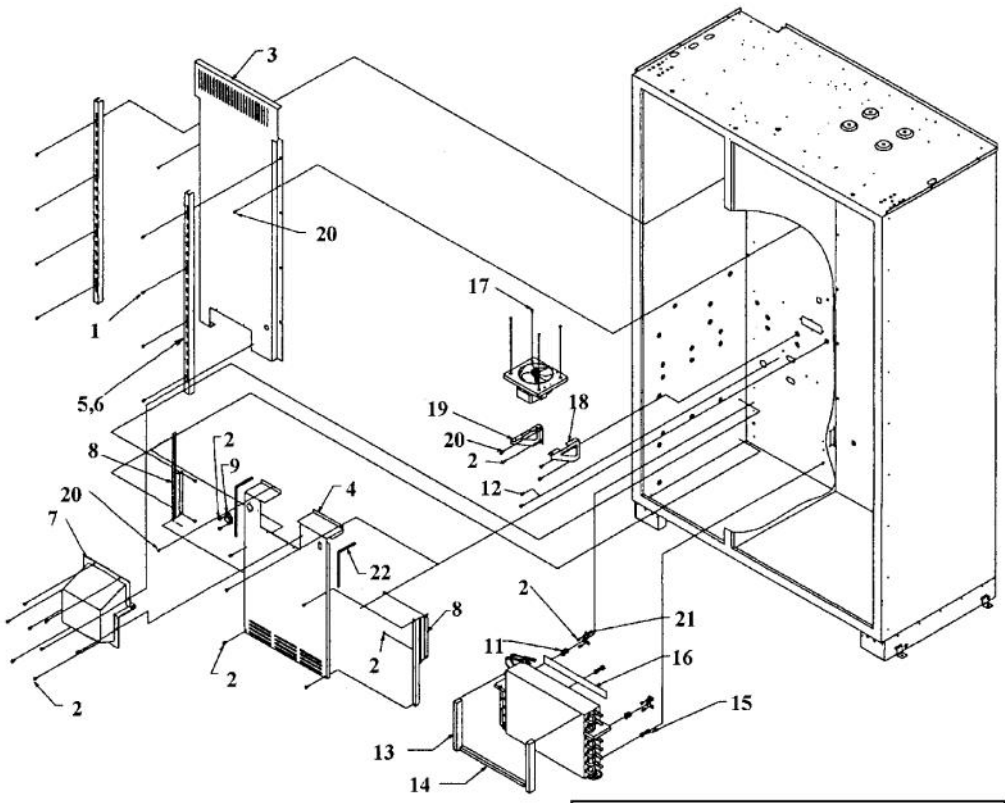
| Ref # | Part Number | Qty. | Description |
|-------|-------------|------|---------------------------------------|
| 1 | 12075003 | | MOTOR-REF FAN |
| 2 | G5096490 | | SUB TO G5096596 |
| 3 | M1200004 | | PIN-COTTER |
| 4 | M1200203 | | PIN-CLEVIS |
| 5 | M0295308 | | NUT-RIVET VM0295308 |
| 6 | M0267153 | | SCREW-MACH VM0267153 |
| 7 | M0220417 | | SCREW-TC |
| 8 | 12070801 | | WATER VALVE |
| | 10244906S | | WATER VALVE COUPLING |
| 9 | B5705313 | | TUBE-PLASTIC NO. |
| 10 | 12071201 | | CLIP-DRAIN LOOP |
| 11 | K2096427 | | BRKT-SHIPPING 12071102 |
| 12 | 12150601 | | FOOT-LEVELING V12150601 |
| 13 | 12071301 | | PAN-DRAIN (NON-ANTIMICROBIAL) |
| 14 | M0753001 | | NUT-SLEEVE |
| 15 | K2096459 | | RAIL-PAN 12234701 |
| 16 | K2096460 | | RAIL-PAN 12234702 |
| 17 | A1055101 | | SPRING-ANTI KINK |
| 18 | A4539601 | | SUB TO PC040010 - RIVET-POP VA4539601 |
| 19 | K2096442 | | SHIELD-POWER CORD 12180503 |
| 20 | M0224416 | | SCREW-SM |
| 21 | K2096455 | | BRKT-SERP. CLIP 12215001 |
| 22 | K2096439 | | ANGLE-DRAIN PAN 12143801 |
| 23 | 12197501 | | SERPENTINE, DRAIN PAN |
| 24 | L2096474 | | TROUGH-DRAIN REP V12349801 |
| 25 | K2096473 | | BRKT-DC FAN 12349201 |
| 26 | M0210417 | | SCREW, SS SM |
| 27 | M0280801 | | NUT-HEX VM0280801 |
| 28 | K2196420 | | BRACKET, ROLLER |
| 29 | M0286708 | | NUT-SPEED |
| 30 | 12034201 | | ROLLER-CABINET |
| 31 | M1252901 | | PIN, PIVOT |
| 32 | M0273801 | | RING-RETAINING |
| 33 | 10916507 | | TUBE-PROCESS GRN |
| 34 | 10851312 | | INSULATION TUBING 70.000 |
| 35 | M0104106 | | CLIP-CORD VM0104106 |
| 36 | 12527801 | | HARNESS-FAN MOTOR |
| 37 | M0238616 | | SCREW-SM |
| 38 | 12115101 | | CLAMP-TUBE V12115101 |
| 39 | M0238616 | | SCREW-SM |
| 40 | K2096444 | | COVER-HT EXCHANGE 12187701 |
| 41 | 12023401 | | FILL TUBE ASSEMBLY |
| 42 | A3127415 | | EXT-FILL TUBE |
| 43 | M0104106 | | CLIP-CORD VM0104106 |
| 44 | A3189370 | | GASKET-FOAM VA3189370 |
| 45 | A3189368 | | GASKET-FOAM VA3189368 |
| 46 | A4539601 | | SUB TO PC040010 - RIVET-POP VA4539601 |



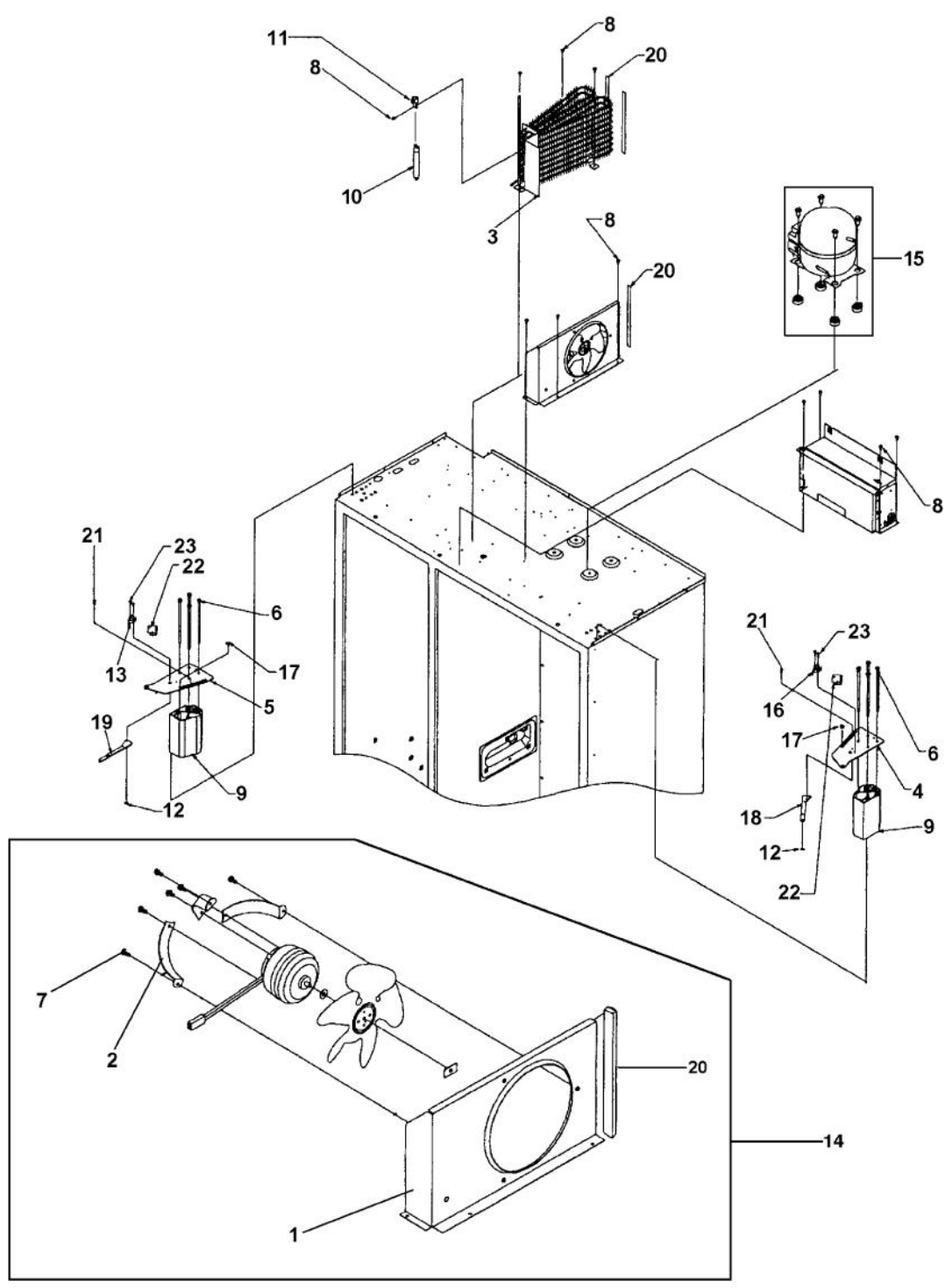
| Ref # | Part Number | Qty. | Description |
|-------|-------------|------|---------------------------------------|
| 1 | M0221913 | | SCREW-SM |
| 2 | M0238535 | | SCREW-SM |
| 3 | M0288120 | | NUT-SPEED, VM0288120 |
| 4 | PK930085 | | COVER FAN SXS 48 FF |
| | PK930086 | | COVER FAN SXS 48 FZ |
| 5 | PK920023 | | LADDER FF L |
| 6 | PK920024 | | LADDER FF R |
| 7 | 12118901 | | TRACK-DELI DRAWER |
| 8 | 12075003 | | MOTOR-REF FAN |
| 9 | C8983701 | | THERMISTOR |
| 10 | M0232903 | | SCREW-SE |
| 11 | M0581001 | | GROMMET-SCREW |
| 12 | M0218136 | | SCREW-SM |
| 13 | M0218137 | | SCREW-SM |
| 14 | K2096475 | | PLATE-FAN MNT 12404701 |
| 15 | 12102501 | | RET-HARNES |
| | M0321202 | | TIE-ELEC |
| 16 | G3096496 | | MC COVER WELD 12213401 |
| 17 | M0238846 | | SCREW-SHLDR |
| 18 | M0108201 | | CLIP-S |
| 19 | M0238616 | | SCREW-SM |
| 20 | 12074801 | | SWITCH, POWER |
| 21 | L2098313 | | BRACKET, LT, 36 BTM, FZ |
| 22 | L2098309 | | BRKT REF LIGHT |
| 23 | PE950125 | | LIGHT SOCKET |
| 24 | A3079001 | | LAMP - 40W |
| 25 | M0210417 | | SCREW, SS SM |
| 26 | PK930077 | | LENS LIGHT SXS 48 FZ |
| 27 | B2096406 | | RETAINER CABINET - SS |
| | C2096406 | | SUB TO C9396406BR |
| 28 | PK930078 | | COVER LIGHT SXS 48 FZ |
| 29 | 12184401 | | COVER, REFRIGERATOR LIGHT |
| 30 | 12184501 | | LENS, REFRIGERATOR LIGHT |
| 31 | 12135402 | | SHIM-CAB TRIM |
| NI | PE950134 | | SWITCH, FAN (AFTER 2/10/03) |
| 32 | 12074701 | | INSUL-MC CVR V12074701 |
| 33 | 12184901 | | INSUL-BACK MC CVR |
| 34 | 12074601 | | INSUL-L MC CVR V12074601 |
| 35 | 12074704 | | INSUL-MC CVR |
| 36 | 12074702 | | INSUL-R MC CVR V12074702 |
| 37 | B5733302 | | CLIP-GROUND |
| 38 | 10281601 | | SOCKET-SGL LIGHT |
| 39 | 10270203 | | HOUSING-LIGHT V10270203 |
| 40 | 10270101 | | COVER, LIGHT |
| 41 | M0580007 | | GROMMET-SCREW |
| 42 | A4539601 | | SUB TO PC040010 - RIVET-POP VA4539601 |
| 43 | M0581001 | | GROMMET-SCREW |



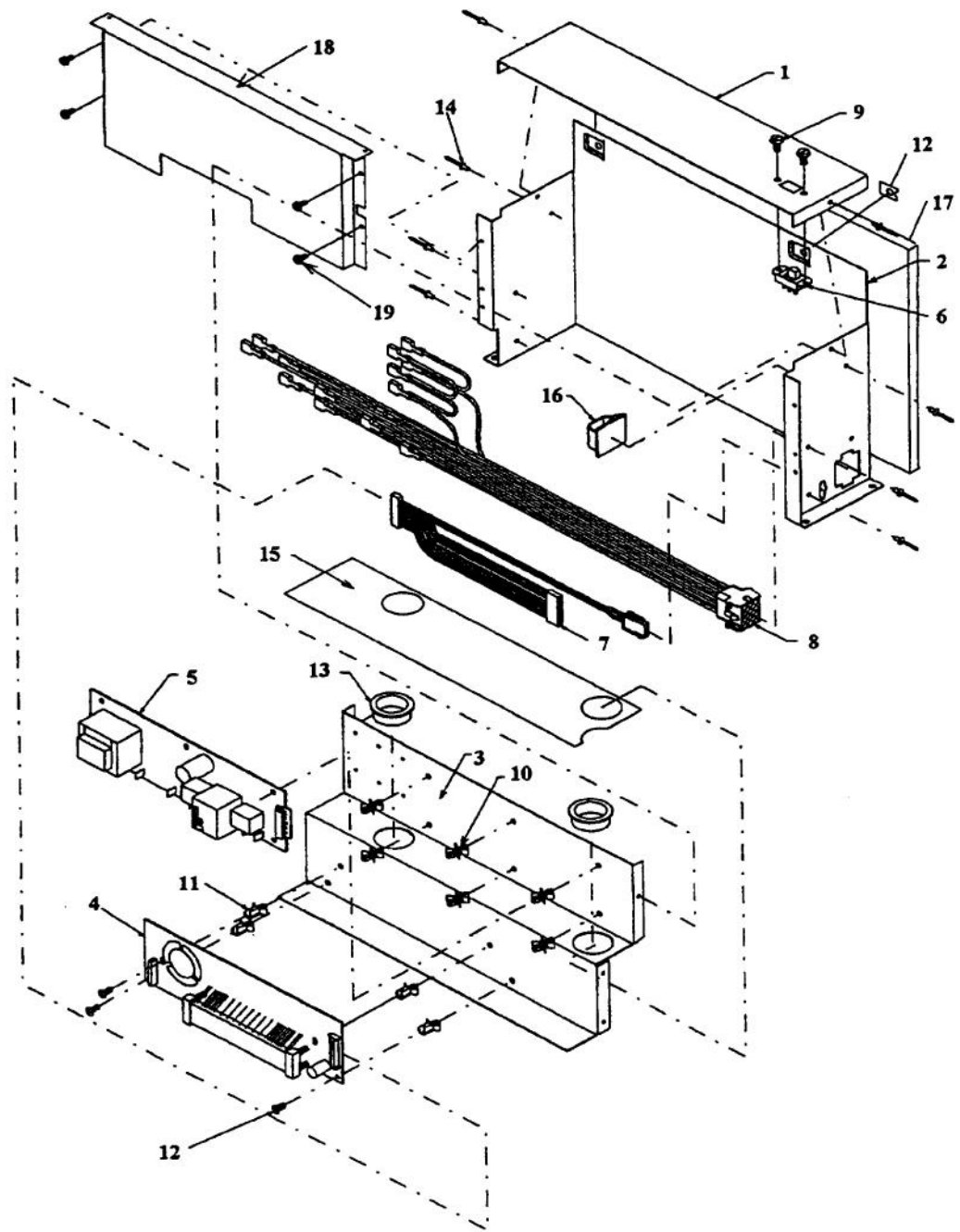
| Ref # | Part Number | Qty. | Description |
|-------|-------------|------|--|
| 1 | M0211018 | | SCREW-SM |
| 2 | PK930073 | | CLOSEOUT SIDE SXS 48 FZ L |
| 3 | M0213105 | | SCREW-SM |
| 4 | M0213531 | | SCREW-SM |
| 5 | M0213503 | | SCREW-SM |
| 6 | M0238616 | | SCREW-SM |
| 7 | V12304301 | | CLOSEOUT-FZ SIDE NO. |
| 8 | PM910190 | | BASKET ASM FZ |
| 9 | PK930074 | | GLIDE SXS 48 FZ R |
| 10 | PK930075 | | GLIDE SXS 48 FZ L |
| 11 | 12064701 | | PAD-GLIDE V12064701 |
| 12 | PK930076 | | ICE PAN ASM SXS 48 |
| 13 | PK930087 | | SUPPORT DRAWER SXS 48 L |
| 14 | V12073003 | | SUPPORT-R DRAWER NO. |
| 15 | V12223208 | | SUB TO - 000485-000 DELI LID ASSY 48/48D |
| 16 | 12223304 | | DELI TOP ASSEMBLY |
| 17 | V12073304 | | DRAWER-DELI 48/48DISP |
| 18 | 12073401 | | KNOB, DELI CONT |
| 19 | 12073501 | | TUBE-PLASTIC |
| 20 | 12073506 | | TUBE-PLASTIC |
| 21 | V12073601 | | SLIDE-DELI CONT |
| 22 | V12231201 | | COVER-AIR CONTROL |
| 23 | V12070501 | | GLIDE-DELI KNOB NO. |
| 24 | 12073901 | | GLIDE-L SUPPORT V12073901 |
| 25 | 12073902 | | GLIDE-L DRAWER V12073902 - |
| 26 | 12073903 | | GLIDE-R SUPPORT V12073903 |
| 27 | 12073904 | | GLIDE-R DRAWER V12073904 |
| 28 | 12196201 | | GSKT-CONTROL COVER |
| 29 | PK930079 | | SHELF COVER SXS 48 FZ |
| 30 | 12258501 | | SUPPORT-SHELF |
| 31 | M0581001 | | GROMMET-SCREW |
| 32 | M0211021 | | SCREW-SM |
| 33 | M0238616 | | SCREW-SM |
| 34 | V12144302 | | CRISPER PAN ASSY 48/48 DISP |
| 35 | M0210417 | | SCREW, SS SM |
| 36 | V12183901 | | DAIRY DRAWER ASSY 48/48D |
| 37 | 12144004 | | SHELF, REFRIGERATOR |
| 38 | PM910189 | | SHELF WIRE FZ |
| 39 | V12064501 | | GLIDE, LH CRISPER |
| 40 | V12064502 | | GLIDE, RH CRISPER |
| 41 | V12064601 | | GLIDE-CTR CRISPER NO. |
| 42 | 12144003 | | SHELF, CRISPER |
| 43 | 12064701 | | PAD-GLIDE V12064701 |



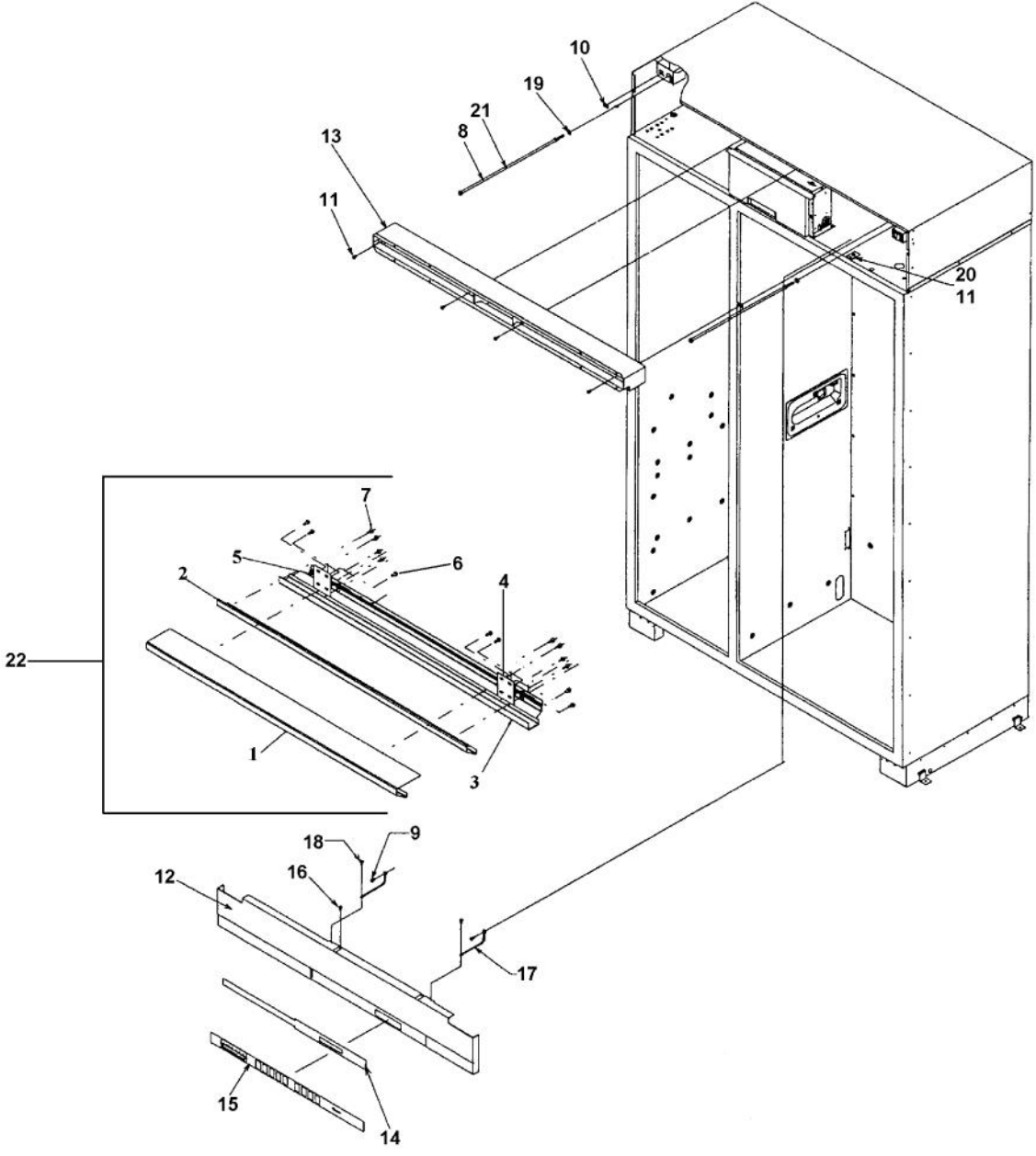
| Ref # | Part Number | Qty. | Description |
|-------|-------------|------|---------------------------|
| 1 | M0232903 | | SCREW-SE |
| 2 | M0238616 | | SCREW-SM |
| 3 | L2097181 | | COVER EVAP UPPER SXS 48 |
| 4 | L2097182 | | COVER EVAP LOWER SXS 48 |
| 5 | 12231701 | | LADDER-FZ L/R SIDE |
| 6 | 12233801 | | GASKET-FZ LADDER |
| 7 | PK930150 | | COVER CTR EVAP |
| 8 | K2096461 | | BRKT-EVAP COVER 12234801 |
| 9 | C8983701 | | THERMISTOR |
| 10 | L2196411 | | BRACKET, EVAPORATOR FAN |
| 11 | 10623003 | | CLIP-EVAP |
| 12 | M0232903 | | SCREW-SE |
| 13 | A3030361 | | GASKET, RED |
| 14 | A3030303 | | GASKET |
| 15 | 10527401 | | CLIP-EVAP |
| 16 | A3189370 | | GASKET-FOAM VA3189370 |
| 17 | M0238859 | | SCREW-SHLDR |
| 18 | K2096457 | | BRKT-R-EVAP FAN 12223101 |
| 19 | K2096458 | | BRKT-L-EVAP-FAN 12223102 |
| 20 | M0232929 | | SCREW-SE |
| 21 | K2096456 | | BRKT-EVAP CLIP 12215101 |
| 22 | A3189368 | | GASKET-FOAM VA3189368 |
| 23 | G5098660 | | FAN EVAP ASM |
| 24 | V12234001 | | GROMMET, VIBRATION |
| 25 | PM910169 | | SHROUD EVAP FAN |
| 26 | K2196412 | | BRKT-MTR/SHROUD 10771801 |
| 27 | M0224416 | | SCREW-SM |
| 28 | PM910206 | | EVAPORATOR SXS 48 |
| 29 | 10442407 | | THERMOSTAT 10442411 |
| 30 | A3030302 | | GASKET, GRN |
| 31 | PB920155 | | HEAT EXCHANGER ASM SXS 48 |
| 32 | 10428101 | | CLIP-EVAP HTR V10428101 |
| 33 | A1017202 | | GROMMET-FAN VA1017202 |
| 34 | PJ910031 | | HEATER EVAP SXS |



| Ref # | Part Number | Qty. | Description |
|-------|-------------|------|-----------------------------------|
| 1 | K2196428 | | SHROUD, COND FAN |
| 2 | 10582501 | | BRKT-COND MTR V10582501 |
| 3 | G5096495 | | GASKET, REF DOOR |
| 4 | PC920064 | | RIGHT TOP HINGE ASSEMBLY |
| 5 | PC920065 | | TOP HINGE ASSY(VCBB362LSS) |
| 6 | M0206313 | | SCREW-MACH |
| 7 | M0223816 | | SCREW-TR |
| 8 | M0238616 | | SCREW-SM |
| 9 | 12067901 | | EXTRSN-TOP HINGE V12067901 |
| 10 | 10743201 | | DRIER, HI SIDE |
| 11 | 10547001 | | CLIP-DRIER V10547001 |
| 12 | 40370P01 | | NYLON FLAT WASHER V40370P01 |
| 13 | PE950122 | | SWITCH |
| NI | G5098300 | | INVERTER ASSEMBLY |
| 14 | G5096494 | | COND. FAN ASSY |
| 15 | G5097976 | | COMPRESSOR ASSEMBLY (363 AND 483) |
| 16 | PE950121 | | SWITCH |
| 17 | 12348701 | | BUMPER-DOOR STOP V12348701 |
| 18 | PC920066 | | ARM, DOOR STOP, RH |
| 19 | PC920068 | | ARM DOOR STOP LH |
| 20 | A3189370 | | GASKET-FOAM VA3189370 |
| 21 | M0220942 | | SCREW-SHLDR |
| 22 | 12140701 | | COVER-SWITCH V12140701 |
| 23 | M0234005 | | SCREW-TF |
| NI | M0104106 | | CLIP-CORD VM0104106 |
| NI | M0232903 | | SCREW-SE |
| NI | M0211018 | | SCREW-SM |
| NI | M0234030 | | SCREW-TR |
| NI | 10522103 | | MOTOR-PSC V10522103 |
| NI | B5742603 | | BLADE-FAN |

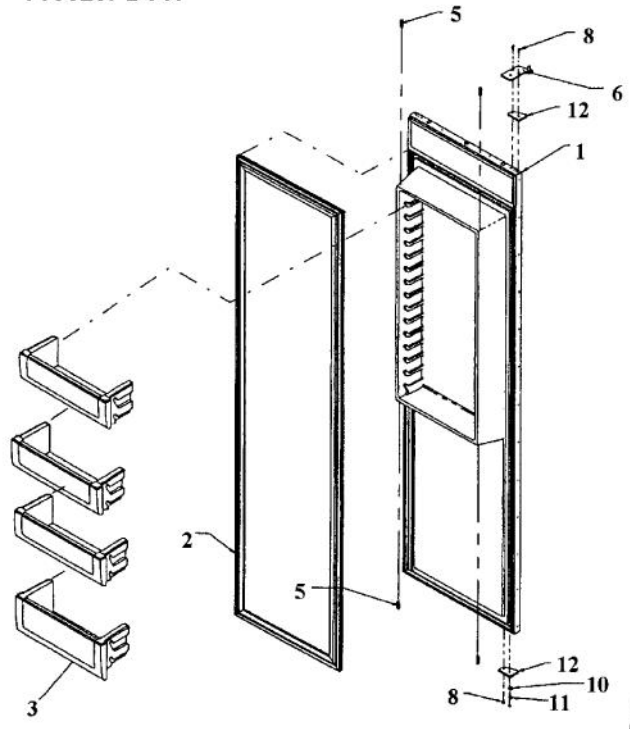


| Ref # | Part Number | Qty. | Description |
|-------|-------------|------|--|
| 1 | K2096429 | | SUB TO K2098657 - TOP-CONT BOX 12090801 |
| 2 | K2097709 | | BOX CONTROL |
| 3 | K2096430 | | BRKT-PC 12090901 |
| 4 | G50911836 | | HIGH VOLTAGE BOARD (BEFORE 01/22/05) |
| | G50911825 | | LOW VOLT BOARD KIT (G SERIES) |
| 5 | G50911836 | | HIGH VOLTAGE BOARD (BEFORE 01/22/05) |
| | PE970463 | | POWER CONTROL BOARD |
| 6 | 10544502 | | SWITCH-SLIDE GRN |
| 7 | PE970464 | | HARNESS LOW VOLT (FOR KIT LV BOARD ONLY) |
| 8 | PE970609 | | HARNESS CONTROL BOARD (FOR PE970363 ONLY) |
| 9 | M0223816 | | SCREW-TR |
| 10 | M0585504 | | SUPPORT |
| 11 | M0585506 | | SUPPORT |
| 12 | M0217204 | | SCREW, SM |
| 13 | A4554817 | | BUSHING-SNAP VA4554817 |
| 14 | A4539601 | | SUB TO PC040010 - RIVET-POP VA4539601 |
| 15 | 12117201 | | FILM-PROTECTIVE |
| 16 | M0104106 | | CLIP-CORD VM0104106 |
| 17 | 12074703 | | INSUL-CONT BOX V12074703 |
| 18 | K2096431 | | FRONT-CONT PANEL 12091001 |
| 19 | M0238616 | | SCREW-SM |
| 20 | M0288120 | | NUT-SPEED, VM0288120 |

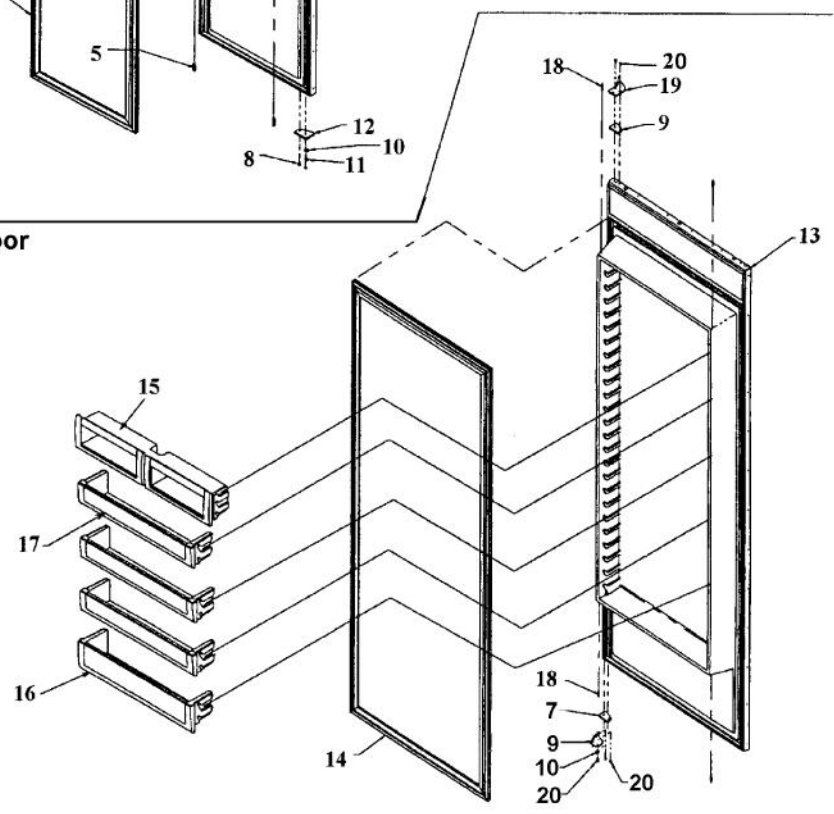


| Ref # | Part Number | Qty. | Description |
|-------|-------------|------|---------------------------------------|
| 1 | B2096952 | | LOUVER-TOP 48 PRO |
| 2 | B2096953 | | LOUVER-MID 48 PRO |
| 3 | B2096954 | | LOUVER-BOT 48 PRO |
| 4 | B2096961 | | BRACKET-LOUVER |
| 5 | B2096962 | | BRACKET-LOUVER SUP |
| 6 | M0220417 | | SCREW-TC |
| 7 | A4539601 | | SUB TO PC040010 - RIVET-POP VA4539601 |
| 8 | M0223603 | | SCREW-LAG |
| 9 | M0238846 | | SCREW-SHLDR |
| 10 | M0288120 | | NUT-SPEED, VM0288120 |
| 11 | M0238616 | | SCREW-SM |
| 12 | PE940183 | | COVER CONT PANEL |
| 13 | G9096487BK | | AIR DUCT WELD ASSY |
| 14 | 12235201 | | SWITCH-KEYBOARD |
| 15 | 12201604 | | OVERLAY, KEYBOARD |
| 16 | M0224128 | | SCREW-SM |
| 17 | 12064001 | | SUPP-CONT PANEL |
| 18 | A4539601 | | SUB TO PC040010 - RIVET-POP VA4539601 |
| 19 | M0270510 | | WASHER |
| 20 | 12414701 | | BRKT-CONT COVER |
| 21 | 12349301 | | BEARING-SLEEVE V12349301 |
| 22 | G3296946 | | GRILLE ASSY - 48 PRO RE G3296498 |
| NI | B2096965 | | ENDCAP PRO LH HINGE |
| NI | B2096966 | | ENDCAP PRO RH HINGE |

Freezer Door

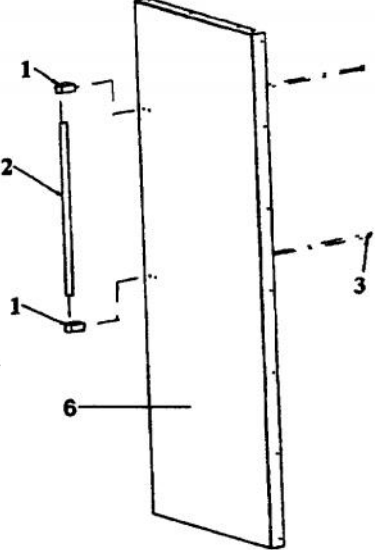


Refrigerator Door

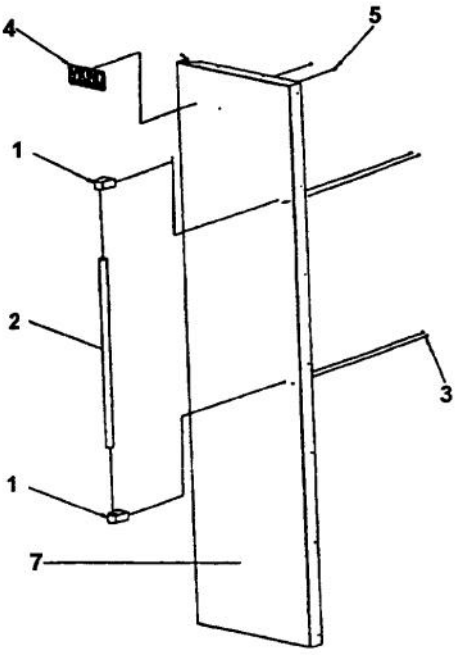


| Ref # | Part Number | Qty. | Description |
|-------|-------------|------|--|
| 1 | G5097700 | | DOOR FOAM ASM SXS 48 FZ |
| 2 | PB070294 | | DOOR GASKET, 48 SXS FZ SIDE CHARGE |
| 3 | PK930072 | | SHELF DOOR ASM SXS 48 FZ |
| 4 | M6096628 | | SPCR HINGE REP V12530201/V12493901 |
| 5 | 12128001 | | PLUG-INNER DOOR |
| 6 | PC920056 | | SUB TO G50911810 - PIVOT PL ASSY LH UP REP V12043408 |
| 7 | M0202528 | | SCREW-MACH NO. |
| 8 | M0226233 | | SUB TO PD920174 - 10 X 7/8 PHILLIPS SMA TRI LOBE SA |
| 9 | PC920071 | | DOOR CLOSURE |
| 10 | M0272803 | | WASHER-LOCK |
| 11 | M0202528 | | SCREW-MACH NO. |
| 12 | M6096628 | | SPCR HINGE REP V12530201/V12493901 |
| 13 | G5097703 | | DOOR ASM SXS 48 FF |
| 14 | PB070296 | | DOOR GASKET, 48 SXS FF SIDE CHARGE |
| 15 | V12203602 | | DAIRY MODULE ASM |
| 16 | V12192902 | | REF DR SHELF ASSY NO. |
| 17 | 12188002 | | DOOR SHELF ASSEMBLY |
| 18 | 12128001 | | PLUG-INNER DOOR |
| 19 | PC920054 | | RIGHT UP PIVOT PLT ASSY |
| 20 | M0226233 | | SUB TO PD920174 - 10 X 7/8 PHILLIPS SMA TRI LOBE SA |
| NI | G5097703 | | DOOR ASM SXS 48 FF |
| NI | G5097701 | | DOOR ASM SXS 48 FZ |
| NI | 12493705 | | SUB TO PE940176 - TRIM-SXS DR |
| NI | 12493706 | | TRIM, REF. DOOR |
| NI | 12493707 | | SUB TO PK930008 - TRIM-SXS FZ DR |
| NI | PD940087 | | SPACER DOOR SKIN-HINGE SIDE (75.1) |
| NI | M0210458 | | SCREW-SM |

Refrigerator Skin



Freezer Skin



| Ref # | Part Number | Qty. | Description |
|-------|-------------|------|-------------------------------------|
| 1 | PE030001 | | BRACKET, DOOR, HANDLE |
| | PE030001PVD | | END CAP DOOR HANDLE XBR |
| 2 | PE930101 | | VCSB482 HANDLE -(12466403) |
| | PE030044PVD | | CNPY HDLE 41/53 PVD F0005408 |
| 3 | M0204303 | | SCREW-MACH |
| 4 | PE010030 | | LOGO, 6, PRO, BK |
| | PE010068 | | LOGO, 6, PRO, BK/BR |
| | PE010031 | | LOGO 6 (VGRC) XBK/WHX |
| | PE010076 | | LOGO 6 (VGRC) XBR/WHX |
| 5 | M0118905 | | CLIP, PUSH ON |
| 6 | SEE MATRIX | | DOOR SKIN |
| 7 | SEE MATRIX | | DOOR SKIN |
| NI | 10921223 | | BLOCK, EPS |
| NI | 10921224 | | STYROFOAM BLOCK, REF. DOOR (QTY. 2) |

| REFRIGERATOR/FREEZER DOOR SKIN MATRIX | | | | | | | |
|--|-------------------------------|-----------------------|-----------------|--------------------------------|-----------------------|-----------------|--|
| Model | *FRZ Door Viking Part Number | Handle Location | Hinge Version | *REF Door Viking Part Number | Handle Location | Hinge Version | |
| VCSB423-Professional 42" SxS | B/L2099428 and C9099428 | See Figure 1-Previous | Cobra | B/L2099427 and C9099427 | See Figure 1-Previous | Cobra | |
| VCSB423-Professional 42" SxS | B/L2099994 and C9099994 | See Figure 2-Current | Cobra | B/L2099993 and C9099993 | See Figure 2-Current | Cobra | |
| VCSB423D-Professional 42" SxS Dispenser | B/L2099009 and C9099009 | See Figure 1-Previous | Cobra | B/L2099427 and C9099427 | See Figure 1-Previous | Cobra | |
| VCSB423D-Professional 42" SxS Dispenser | B/L20911393 and C20911393 | See Figure 2-Current | Cobra | B/L2099993 and C9099993 | See Figure 2-Current | Cobra | |
| VCSB482-Professional 48" SxS | B/L2096939 and C9096939 | See Figure 1-Previous | Extrusion/Plate | B/L2096940 and C9096940 | See Figure 1-Previous | Extrusion/Plate | |
| VCSB483-Professional 48" SxS | B/L2096939 and C9096939 | See Figure 1-Previous | Extrusion/Plate | B/L2096940 and C9096940 | See Figure 1-Previous | Extrusion/Plate | |
| VCSB483-Professional 48" SXS (G-series) | B/L20913724 and C90913724 | See Figure 2-Previous | Cobra | B/L20913723 and C90913723 | See Figure 2-Previous | Cobra | |
| VCSB483-Professional 48" SXS (H-series) | B/L20910040 and C90910040 | See Figure 2-Current | Cobra | B/L20910039 and C90910039 | See Figure 2-Current | Cobra | |
| VCSB483D-Professional 48" SxS Dispenser | B/L2098301 and C9098301 | See Figure 1-Previous | Extrusion/Plate | B/L2096940 and C9096940 | See Figure 1-Previous | Extrusion/Plate | |
| VCSB483D-Professional 48" SxS Dispenser | B/L2099992 and C9099992 | See Figure 2-Current | Extrusion/Plate | B/L2099991 and C9099991 | See Figure 2-Current | Extrusion/Plate | |
| VCSB483D-Professional 48" SXS Dispenser (H-series) | B/L20913006 and C90913006 | See Figure 2-Current | Cobra | B/L20910039 and C90910039 | See Figure 2-Current | Cobra | |
| | *LEFT Door Viking Part Number | Handle Location | Hinge Version | *RIGHT Door Viking Part Number | Handle Location | Hinge Version | |
| VCFB364-Professional 36" All Freezer | **B/L2098381 and C9098381 | See Figure 2-Current | Cobra | **B/L2098383 and C9098383 | See Figure 2-Current | Cobra | |
| VCRB364-Professional 36" All Refrigerator | | | | | | | |
| VCFB304-Professional 30" All Freezer | **B/L2099067 and C9099067 | See Figure 2-Current | Cobra | **B/L2099069 and C9099069 | See Figure 2-Current | Cobra | |
| VCRB304-Professional 30" All Refrigerator | | | | | | | |

15.25 in

17.4375 in

FIGURE 1-PREVIOUS HANDLE LOCATION DIMENSION FIGURE 2-CURRENT HANDLE LOCATION DIMENSION

NOTES:
 * B = Stainless Steel, C = Painted, all colors except WH and BK, L = Prepainted WH and BK
 * Color code must be added for all parts except "B/Stainless Steel"

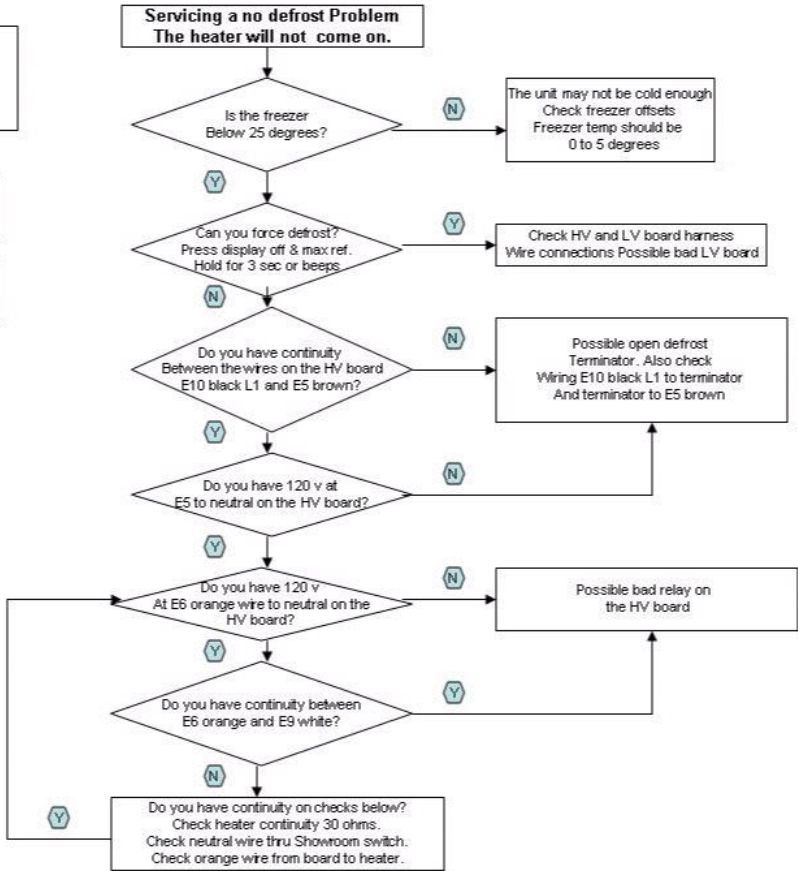
| Ref # | Part Number | Qty. | Description |
|-------|-------------|------|-------------|
|-------|-------------|------|-------------|



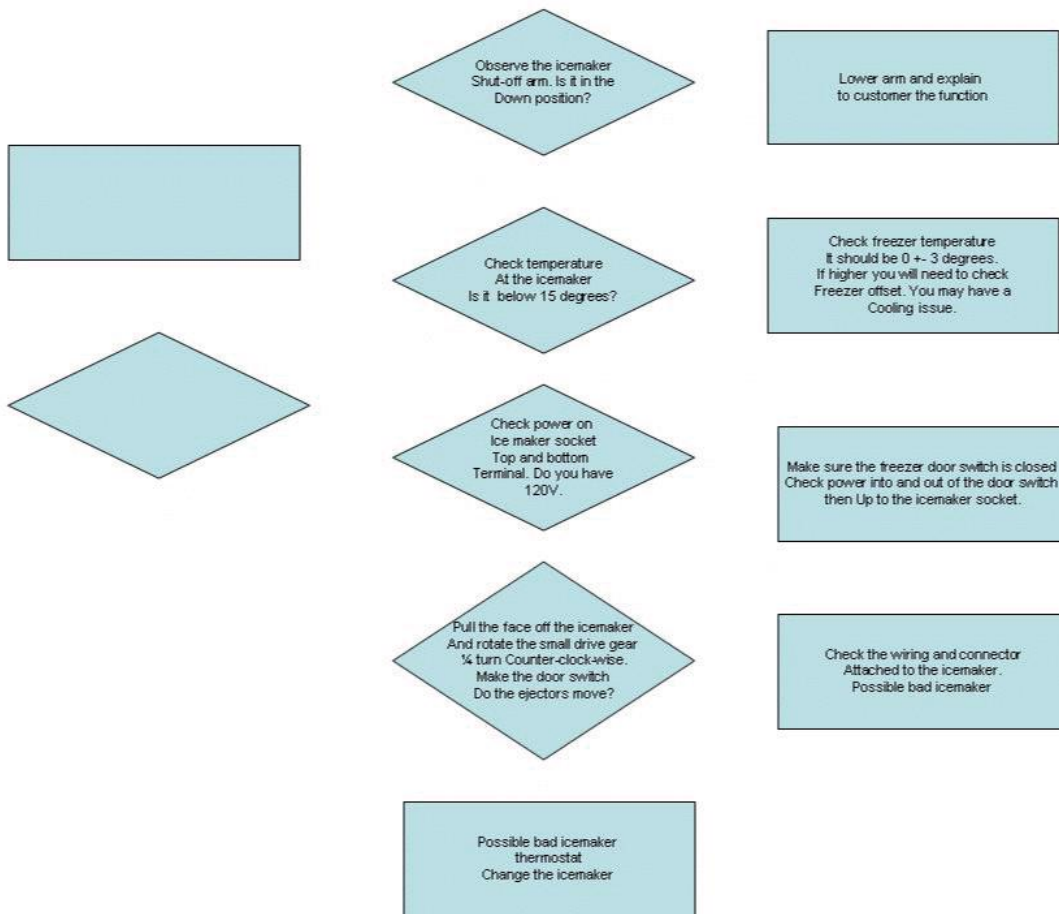
Refrigeration

You must have a voltmeter that has ohm readings.

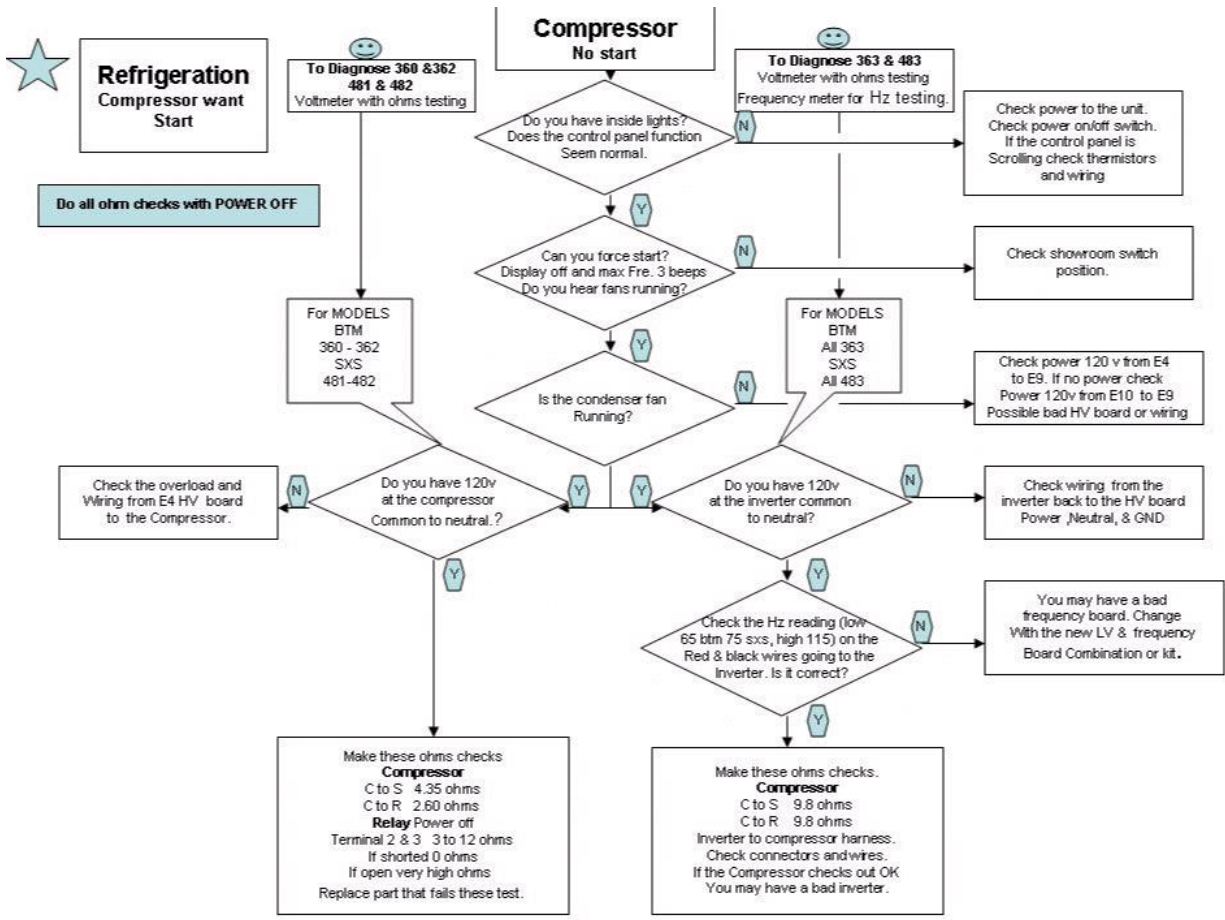
Do continuity checks With **power off**



| Ref # | Part Number | Qty. | Description |
|-------|-------------|------|-------------|
|-------|-------------|------|-------------|



| Ref # | Part Number | Qty. | Description |
|-------|-------------|------|-------------|
|-------|-------------|------|-------------|



| Ref # | Part Number | Qty. | Description |
|-------|-------------|------|-------------|
|-------|-------------|------|-------------|
