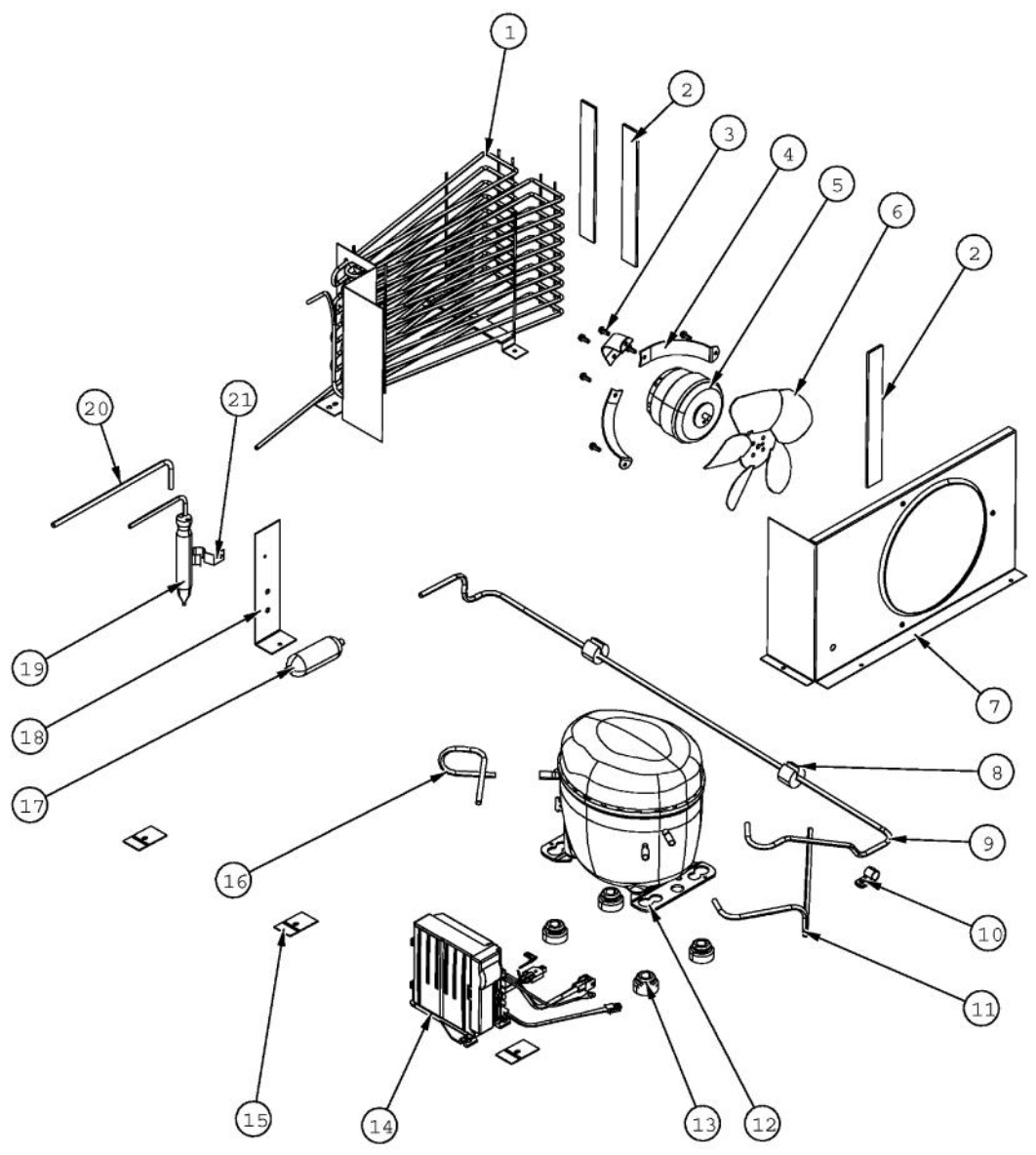
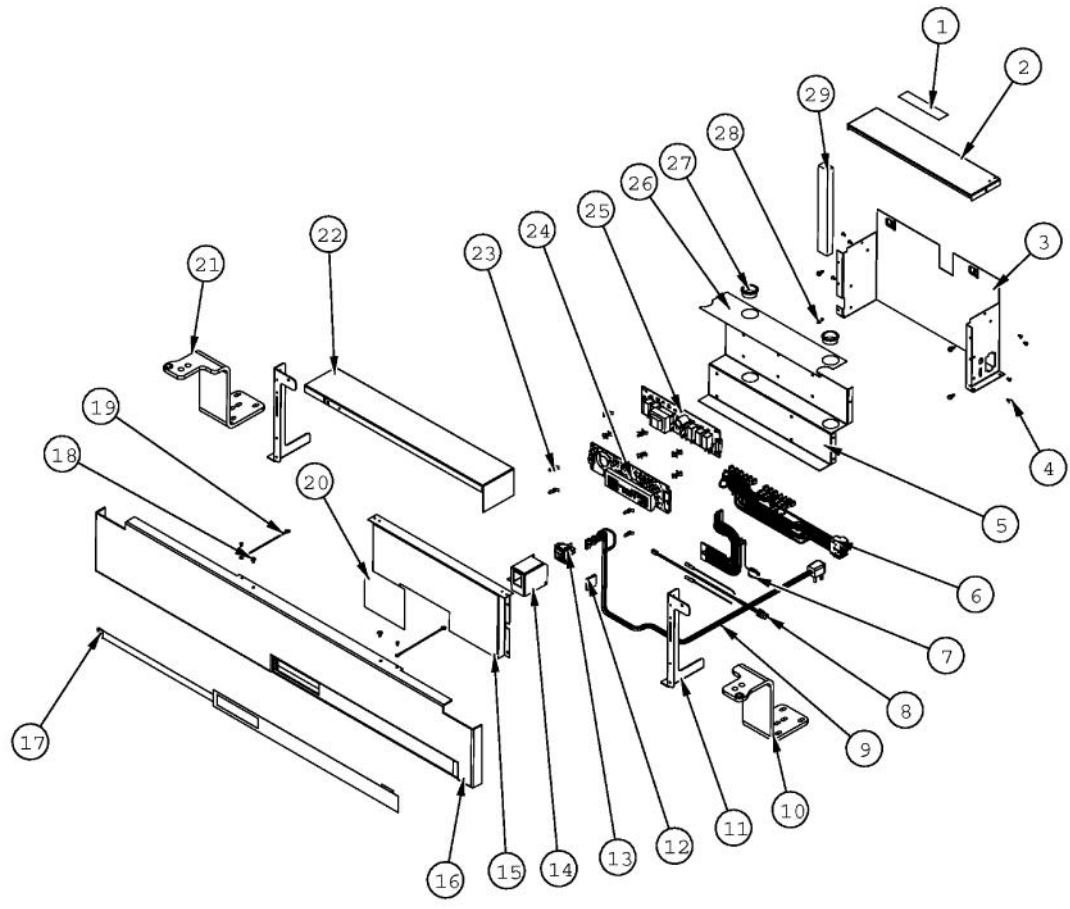


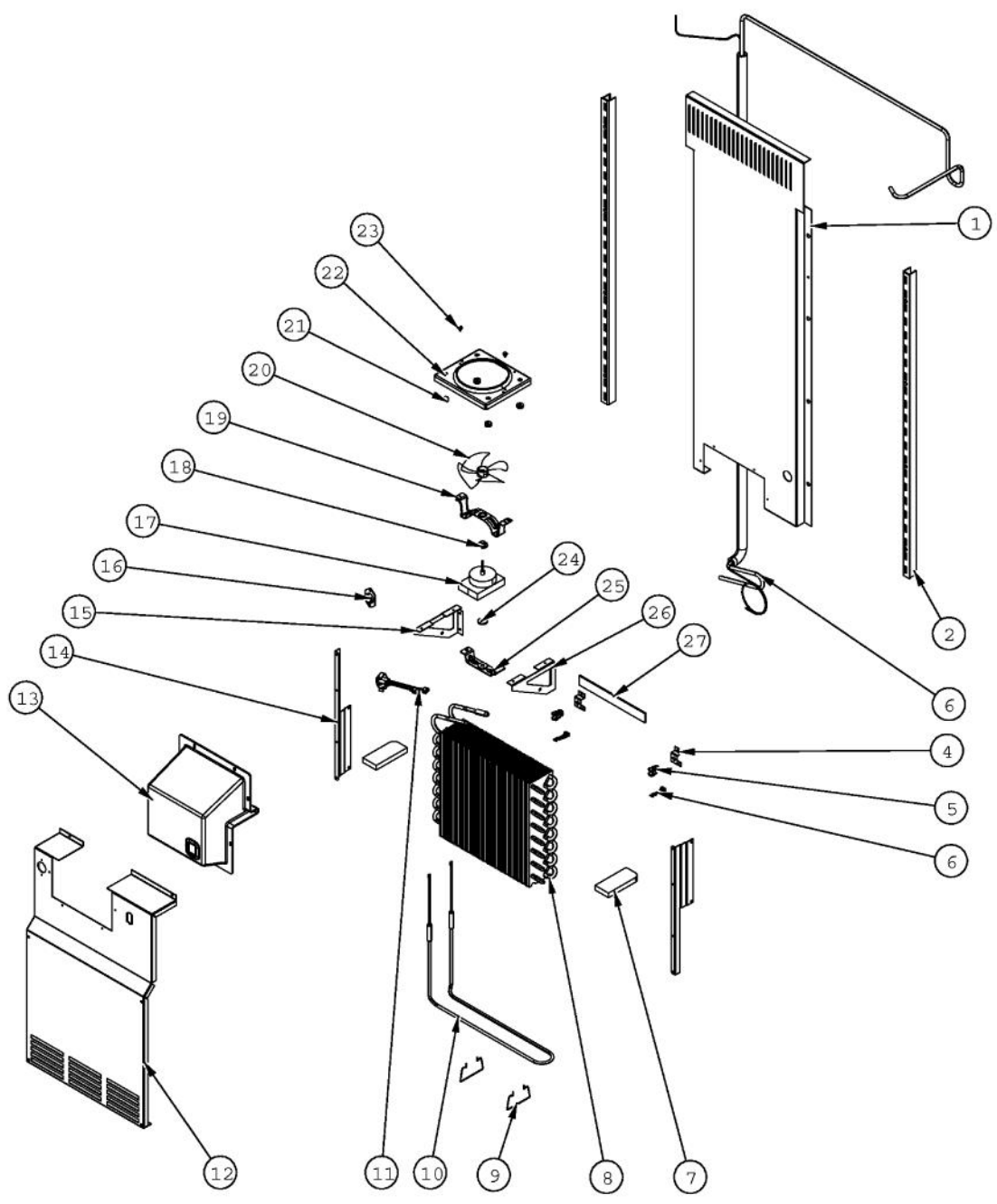
Ref #	Part Number	Qty.	Description
1	F20915693	1	SERPENTINE CONDENSER DRAIN ALL SXS'S
2	PD030146	14	STAND OFF LOCK CLIP
3	K20911831	2	BRACKET CONDENSATE SUPPORT
4	PK930348	1	PAN DRAIN
5	G3298648	1	HINGE ASM COMPLETE LR
6	PC920166	1	BAR-WC BOT HINGE RH
7	PM010602	2	CAM DOOR ADJUSTMENT
8	PB020304	1	PLASTIC TUBING-IM WATERLINE NON DISP (SXS & AF)
9	K2098044	1	BRKT GRILLE SUPPORT
10	PM910398	1	LEVELER ASSEMBLY - R
11	PA970012	1	SINGLE WATER VALVE
12	004551-000	1	AXIAL FAN
13	K20913788	1	BRKT VALVE H2O SINGLE
14	A4554806	2	BUSHING-SNAP VA4554806
15	B20915627	1	BRACKET HORIZ FLOAT SWITCH
16	PE050248	1	FLOAT SWITCH HORIZONTAL
17	A4554817	1	BUSHING-SNAP VA4554817
18	K20915952	1	SHIELD BOTTOM DRAIN
19	G50914125	1	TRAY PAN HEATER
20	PM910399	1	LEVELER MODULE L
21	014334-000	2	BRACKET,LT,SWITCH
22	K2098096	1	BRKT GRILLE SUPPORT
23	PE950146	1	SWITCH SPDT BLACK
24	PC920149	1	BAR-WC BOT HINGE LH
25	PC910015	1	SPRING EXTENSION
26	PD940107	2	ROUND SPRING SPACER
27	G3298649	1	HINGE ASM COMPLETE LL
28	015803-000	1	GRILLE,TOE,ASM,42 SXS



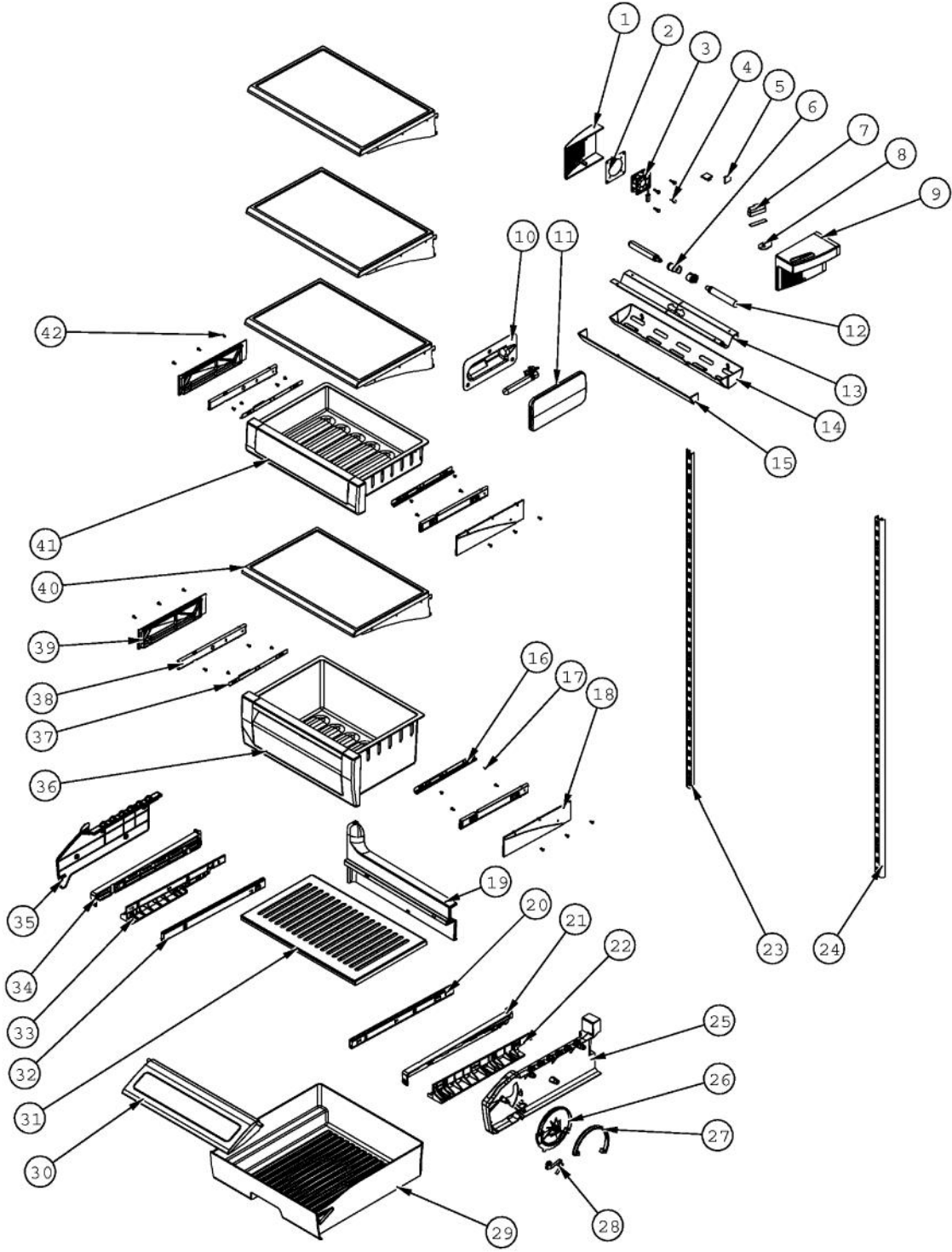
Ref #	Part Number	Qty.	Description
1	PB920171	1	CONDENSER ASM
2	A3189370	3	GASKET-FOAM VA3189370
3	M0220417	6	SCREW-TC
4	10582501	3	BRKT-COND MTR V10582501
5	10522103	1	MOTOR-PSC V10522103
6	B5742603	1	BLADE-FAN
7	PM010604	1	SHROUD COND FAN
8	10699601	2	DAMPER-TUBING .8
9	F2096504	1	TUBE-DRIER EXT
10	PD030118	1	SCREW - SHLDR
11	F2099444	1	TUBE DISCHARGE FORMED POST ACCUM
12	PM010619	1	COMPRESSOR VCC
13	10835901	4	GROMMET RUBBER V10835901
14	011666-000	1	INVERTER CMPRESSOR
15	K2096943	3	PANEL BRACKET
16	F2096507	1	TUBE-PROCESS GRN
17	PB920201	1	ACCUMULATOR
18	K2099454	1	BRACKET DRIER
19	PM910381	1	DRIER - HIGH SIDE
20	F2097740	1	TUBE PROCESS
21	10547001	1	CLIP-DRIER V10547001
NI	PD020194	18	SCREW-SM



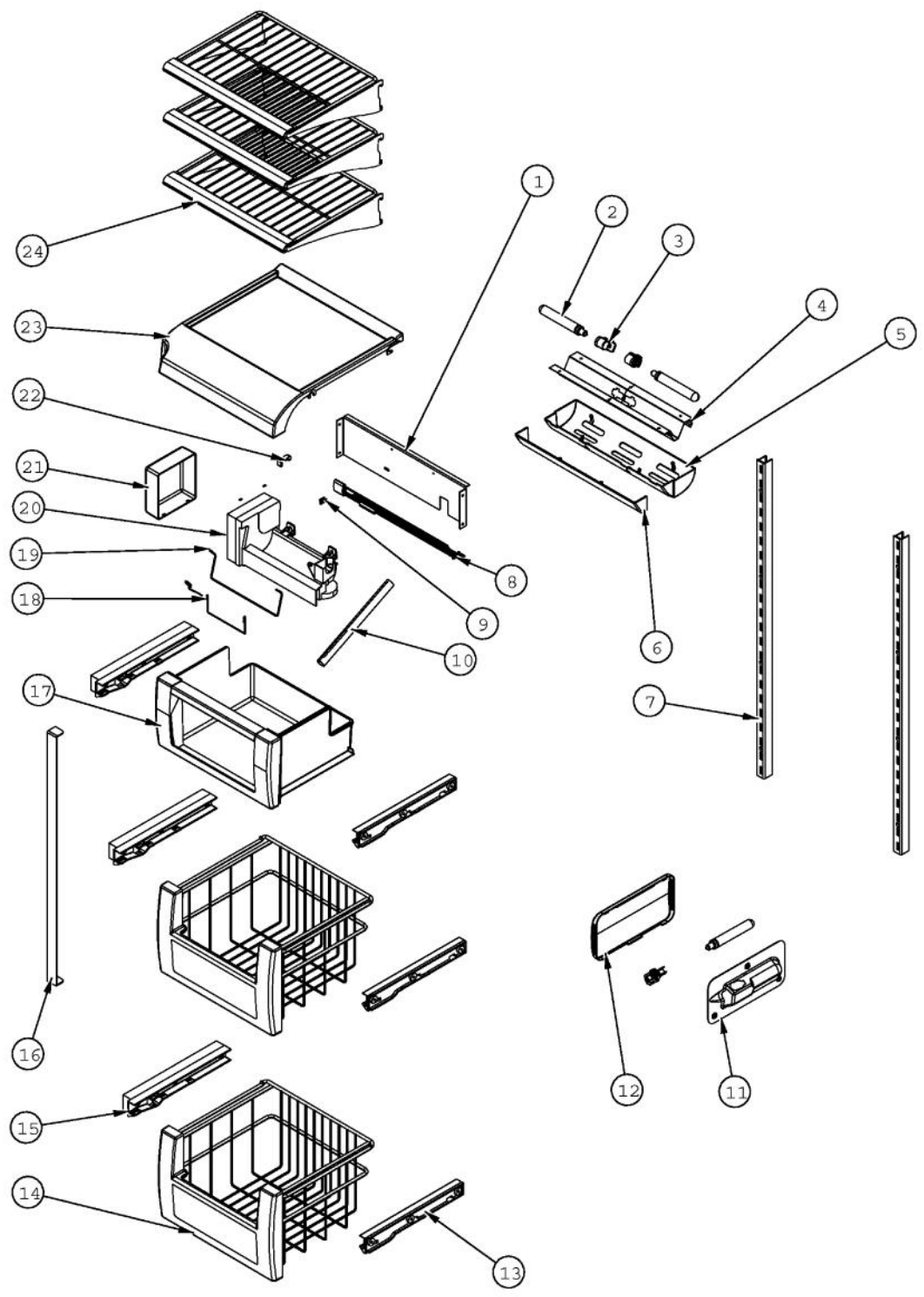
Ref #	Part Number	Qty.	Description
1	PF930487	1	TECH LITERATURE LABEL - 2
2	K20915000	1	CONTROL BOX TOP
3	016928-000	1	CONTROL BOX
4	PC040010	8	POP RIVET
5	019993-000	1	BRACKET - PC
6	015365-000	1	HARNESS HIGH VOLT
7	PE970464	1	HARNESS LOW VOLT
8	PE970609	1	HARNESS CONTROL BOARD
9	10916507	1	TUBE-PROCESS GRN
10	PC920203	1	HINGE ASM UR
11	014190-000	2	BRACKET GRILLE SUPPORT
12	M0104106	1	CLIP-CORD VM0104106
13	PE950149	1	SWITCH POWER
14	025433-000	1	BRACKET,SW,POWER
15	016930-000	1	CONTROL BOX FRONT
16	016527-000	1	PANEL CONTROL SXS 42
17	016270-000	1	OVERLAY,SW,ASM,SXS 42
18	M0224128	2	SCREW-SM
19	12064001	2	SUPP-CONT PANEL
20	PF930672	1	LABEL DC COMPRESSOR
21	PC920204	1	HINGE ASM UL
22	014519-000	1	DIVERTER AIR HI SIDE SXS
23	M0585504	10	SUPPORT
24	017695-000	1	BOARD LOW VOLTAGE
25	005319-000	1	POWER CONTROL BOARD ASM
26	005396-000	1	FILM,PROTECTIVE
27	A4554817	2	BUSHING-SNAP VA4554817
28	PD020194	4	SCREW-SM
29	A3030361	1	GASKET, RED



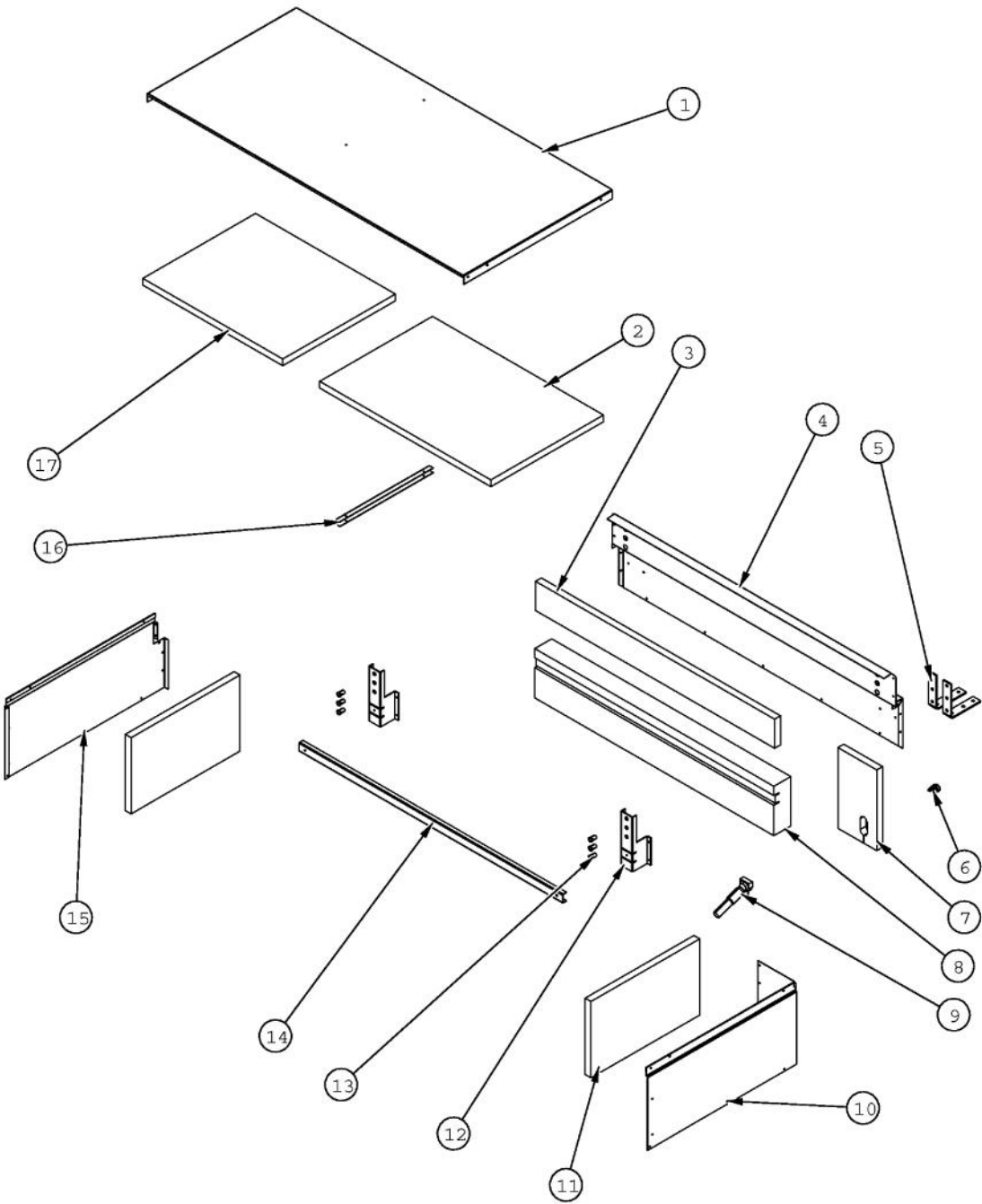
Ref #	Part Number	Qty.	Description
1	L2097181	1	COVER EVAP UPPER SXS 48
2	12231701	2	LADDER-FZ L/R SIDE
3	F2097793	1	TUBE FORMED HT EXCH
4	K2096456	2	BRKT-EVAP CLIP 12215101
5	10623003	2	CLIP-EVAP
6	10527401	2	CLIP-EVAP
7	10629001	2	BLOCK-R AIR COIL RED
8	PM910206	1	EVAPORATOR SXS 48
9	10428101	2	CLIP-EVAP HTR V10428101
10	PJ910031	1	HEATER EVAP SXS
11	PB910259	1	THERMOSTAT DEFROST TERMINATOR
12	L2097182	1	COVER EVAP LOWER SXS 48
13	PK930150	1	COVER CTR EVAP
14	K2096461	2	BRKT-EVAP COVER 12234801
15	K2096458	1	BRKT-L-EVAP-FAN 12223102
16	C8983701	1	THERMISTOR
17	PE950133	1	MOTOR FAN EVAP PANASONIC
18	A1017202	2	GROMMET-FAN VA1017202
19	PM010605	1	BRACKET MTR/SHROUD
20	10855402	1	FAN-EVAP/4.330
21	12234001	4	GROMMET-VIBRATION
22	PM910169	1	SHROUD EVAP FAN
23	PD020193	4	SCR 8-18 X 3/8
24	PM910276	1	GROMMET FAN MOTOR
25	L2198650	1	BRACKET FAN EVAP VEN
26	K2096457	1	BRKT-R-EVAP FAN 12223101
27	A3189370	1	GASKET-FOAM VA3189370



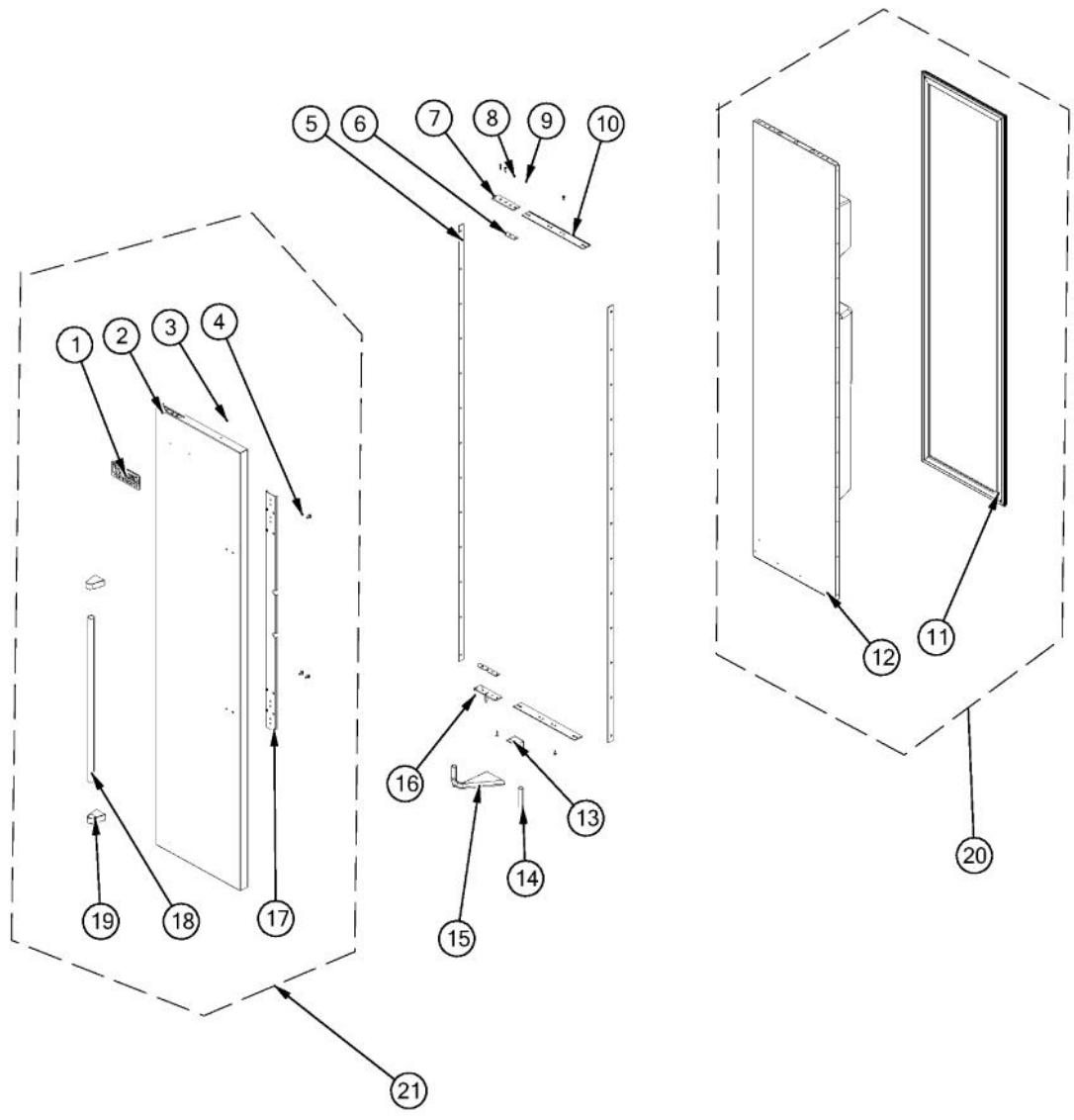
Ref #	Part Number	Qty.	Description
1	PK930086	1	COVER FAN SXS 48 FZ
2	007302-000	1	BRACKET,FAN
3	004551-000	1	AXIAL FAN
4	007301-000	4	GROMMET,RUBBER
5	M0104106	1	CLIP-CORD VM0104106
6	PE950125	3	LIGHT SOCKET
7	010093-000	1	PLASMA CLUSTER
8	C8983701	1	THERMISTOR
9	012312-000	1	FAN COVER SXS
10	10270203	2	HOUSING-LIGHT V10270203
11	PK930346	2	COVER LIGHT
12	004528-000	3	LAMP, 40 WATT BLUE LIGHT
13	L2099474	1	BRACKET LIGHT SXS 42 FF
14	020118-000	1	COVER LIGHT LENS SXS 42 FF
15	020119-000	1	COVER LIGHT SXS 42 FF
16	PM910343	2	RAIL DRAWER R
17	PD920162	8	SCR 8-16 PLASTITE PNP 1/4 S
18	PK930290	2	SUPPORT SLIDE R
19	PK930171	1	DUCT MEAT SAVOR SXS 42 REAR
20	PM910287	1	SLIDE MEAT SAVOR R
21	PK930175	1	SUPPORT DRAWER MEAT SAVOR SXS 42/48 R
22	PK930173	1	SUPPORT SLIDE MEAT SAVOR SXS 42/48 R
23	PK020080	1	LADDER FF L SXS 42/48
24	PK920024	1	LADDER FF R
25	PK930169	1	DUCT MEAT SAVOR SXS 42/48 R
26	PK930168	1	DIAL CONTROL MEAT SAVOR
27	PK930172	1	COVER CONTROL MEAT SAVOR
28	PM910334	1	ROLLER TENSION
29	PK930114	1	DRAWER MEAT SAVOR SXS 42
30	020111-000	1	DOOR MEATSAVOR ASM SXS 42
31	PK930120	1	SHELF MEAT SAVOR SXS 42
32	PM910288	1	SLIDE MEAT SAVOR L
33	PK930174	1	SUPPORT SLIDE MEAT SAVOR SXS 42/48 L
34	PK930176	1	SUPPORT DRAWER MEAT SAVOR 42/48 L
35	PK930170	1	DUCT MEAT SAVOR SXS 42 L
36	009927-000	1	PRODUCE 42
37	PM910342	2	RAIL DRAWER L
38	PM910388	4	SLIDE DRAWER (R & L)
39	PK930291	2	SUPPORT SLIDE L
40	PM910350	4	SHELF ASM GLASS SXS 42 FF
41	PK930121	1	DRAWER DELI ASM SXS 42
42	PD920161	20	SCR 8-16 PLASTITE PNP 3/8 S



Ref #	Part Number	Qty.	Description
1	C9097183WH	1	SUPPORT IM ND SXS 48 WH
2	004528-000	6	LAMP, 40 WATT BLUE LIGHT
3	PE950125	3	LIGHT SOCKET
4	L2099475	1	BRACKET LIGHT SXS FZ
5	020115-000	1	COVER LIGHT LENS SXS 42 FZ
6	020116-000	1	COVER LIGHT SXS 42 FZ
7	12231701	2	LADDER-FZ L/R SIDE
8	D7813004	1	HARNESS-MOD IM VD7813004
9	PD030155	1	CLIP-IM FILL CUP
10	013928-000	1	FILL TUBE AF/SXS ND
11	10270203	1	HOUSING-LIGHT V10270203
12	PK930346	1	COVER LIGHT
13	PK930074	3	GLIDE SXS 48 FZ R
14	PM910190	2	BASKET ASM FZ
15	PK930075	3	GLIDE SXS 48 FZ L
16	PK930073	1	CLOSEOUT SIDE SXS 48 FZ L
17	PK930076	1	ICE PAN ASM SXS 48
18	007082-000	1	WIRE, IM SHUTOFF
19	002329-000	1	ARM, IM SHUTOFF
20	002252-000	1	ICE MAKER
21	PM010542	1	ICE MAKER COVER
22	10526701	1	CLAMP-WIRE V10526701
23	PK930079	1	SHELF COVER SXS 48 FZ
24	PM910189	3	SHELF WIRE FZ

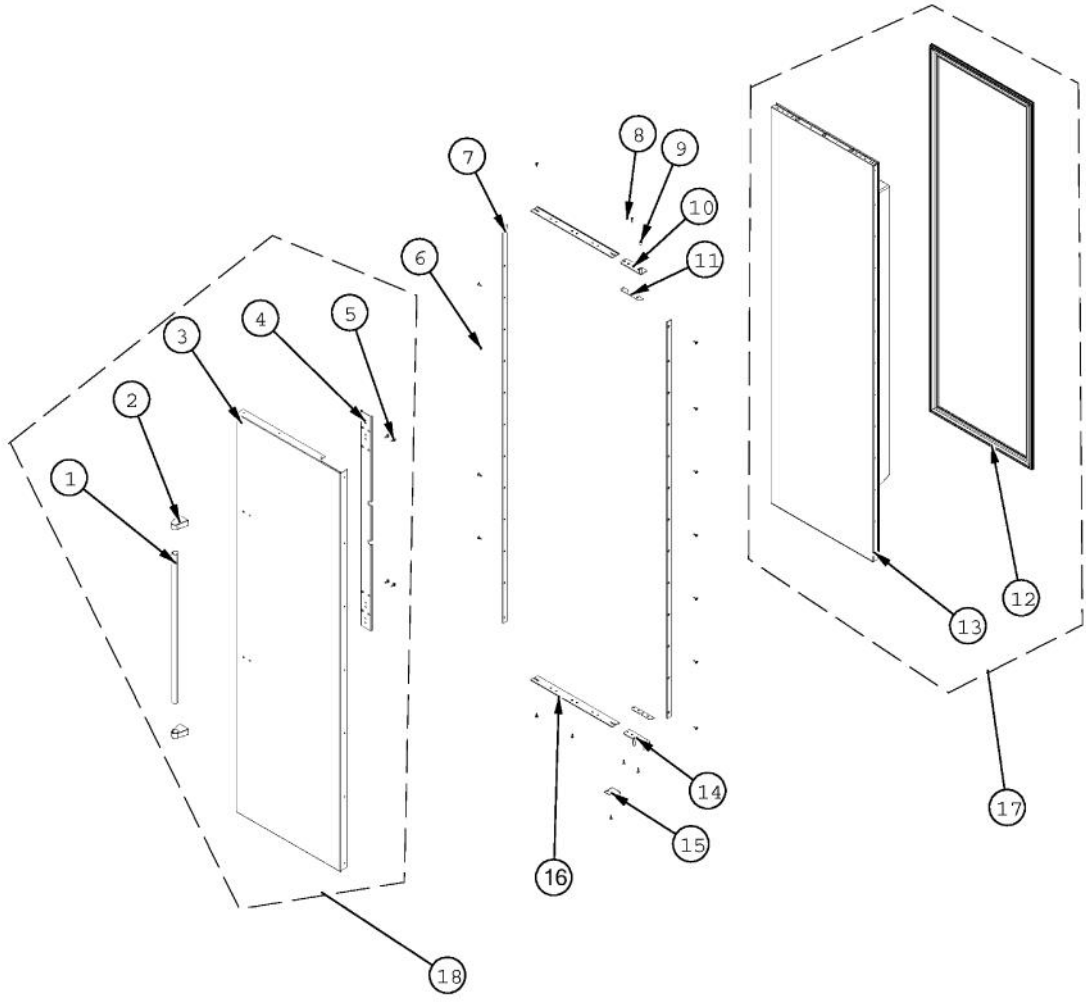


Ref #	Part Number	Qty.	Description
1	K2099458	1	MC TOP SXS 42
2	015031-000	1	INSULATION,FOAM,MC TOP RIGHT 42
3	PB070360	1	INSULATION MC COVER
4	K2099461	1	MC BACK 42
5	PK910089	2	BRACKET, ANTI - TIP
6	003104-000	1	BUSHING,STRN,RLF
7	007341-000	1	INSL, MC, BACK SIDE
8	PB070361	1	INSULATION MC COVER
9	G5096419	1	FILL TUBE ASSY 10942511
10	004614-000	1	MC SIDE R
11	PB070355	2	INSULATION MC COVER
12	K20915675	2	BRACKET PSM
13	PD040157	6	BEARING SLEEVE
14	K20915903	1	CROSSMEMBER PSM 42
15	K2099460	1	MC SIDE L
16	K2099455	1	SUPPORT MC Z
17	015032-000	1	INSULATION,FOAM,MC TOP LEFT 42



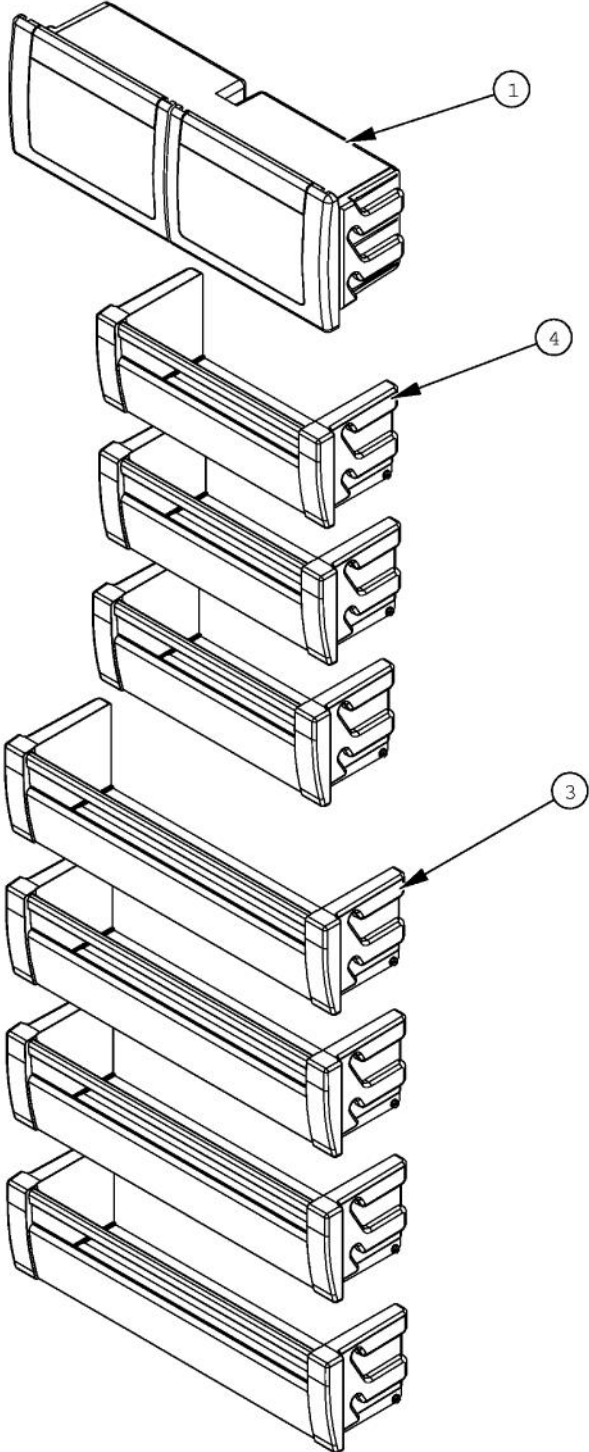
Ref #	Part Number	Qty.	Description
1	PE010030	1	LOGO, 6, PRO, BK
1	PE010068	1	LOGO, 6, PRO, BK/BR
2	010601-000	1	SKIN,DOOR,SXS 42 FZ PROI SS
2	036347-002	1	SKIN, DOOR, SXS 42 PROI FZ BK
2	036347-003	1	SKIN, DOOR, SXS 42 PROI FZ BT
2	036347-004	1	SKIN, DOOR, SXS 42 PROI FZ SG
2	036347-005	1	SKIN, DOOR, SXS 42 PROI FZ GG
2	036347-008	1	SKIN, DOOR, SXS 42 PROI FZ BU
2	036347-009	1	SKIN, DOOR, SXS 42 PROI FZ LE
2	036347-010	1	SKIN, DOOR, SXS 42 PROI FZ MJ
2	036347-012	1	SKIN, DOOR, SXS 42 PROI FZ VB
2	036347-013	1	SKIN, DOOR, SXS 42 PROI FZ CB
2	036347-015	1	SKIN, DOOR, SXS 42 PROI FZ PL
2	036347-016	1	SKIN, DOOR, SXS 42 PROI FZ CH
2	036347-017	1	SKIN, DOOR, SXS 42 PROI FZ TP
2	036347-018	1	SKIN, DOOR, SXS 42 PROI FZ CW
2	036347-021	1	SKIN, DOOR, SXS 42 PROI FZ SA
2	036347-022	1	SKIN, DOOR, SXS 42 PROI FZ SE
2	036347-023	1	SKIN, DOOR, SXS 42 PROI FZ IB
2	036347-024	1	SKIN, DOOR, SXS 42 PROI FZ AR
2	036347-025	1	SKIN, DOOR, SXS 42 PROI FZ RR
2	036347-051	1	SKIN, DOOR, SXS 42 PROI FZ CN
2	036347-052	1	SKIN, DOOR, SXS 42 PROI FZ DJ
2	036347-053	1	SKIN, DOOR, SXS 42 PROI FZ KB
2	036347-054	1	SKIN, DOOR, SXS 42 PROI FZ WS
3	PD030006	2	CAPPED WASHER PAL NUT
4	M0204303	4	SCREW-MACH
5	014581-000	2	SPACER,TRIM,SXS,AF,AR
6	PD040162	2	SPACER-DOOR HINGE
7	033780-000	1	PIVOT PLATE ASM LH UP PRO DES SXS, AFAR
8	PD920174	8	10-32 TORX HEAD SCREW
9	M0210458	5	SCREW-SM
10	PK030558	2	TRIM DOOR BULLNOSE 42 FZ TOP/BOT
11	005453-000	1	GASKET, ASM, 42, SXS, FZ DISP
12	016264-000	1	DOOR FOAM ASM 42D FZ
13	PD050019	1	STRIKER DOOR SWITCH
14	PB020301	1	STEM ELBOW 1/4
15	PK930297	1	ELBOW CHASE SXS DISP
16	016182-000	1	PIVOT PL ASM LH LW PRO/DES
17	013328-000	1	BRKT,HANDLE,SUPPORT,PRO
18	012891-000	1	HANDLE,PRO
19	000268-000	2	HANDLE END CAP ASSY
19	000268-100	2	HANDLE ENDCAP BRASS
20	007483-000	1	DOOR ASM SXS 42 FZ
21	010608-000	1	SKIN,ASM,SXS 42 PROI FZ SS
21	009578-002	1	SKIN, ASM, SXS 42 PROI FZ BK
21	009578-003	1	SKIN, ASM, SXS 42 PROI FZ BT
21	009578-004	1	SKIN, ASM, SXS 42 PROI FZ SG
21	009578-005	1	SKIN, ASM, SXS 42 PROI FZ GG
21	009578-008	1	SKIN, ASM, SXS 42 PROI FZ BU
21	009578-009	1	SKIN, ASM, SXS 42 PROI FZ LE
21	009578-010	1	SKIN, ASM, SXS 42 PROI FZ MJ
21	009578-012	1	SKIN, ASM, SXS 42 PROI FZ VB
21	009578-013	1	SKIN, ASM, SXS 42 PROI FZ CB
21	009578-015	1	SKIN, ASM, SXS 42 PROI FZ PL
21	009578-016	1	SKIN, ASM, SXS 42 PROI FZ CH
21	009578-017	1	SKIN, ASM, SXS 42 PROI FZ TP
21	009578-018	1	SKIN, ASM, SXS 42 PROI FZ CW
21	009578-021	1	SKIN, ASM, SXS 42 PROI FZ SA
21	009578-022	1	SKIN, ASM, SXS 42 PROI FZ SE

Ref #	Part Number	Qty.	Description
21	009578-022	1	SKIN, ASM, SXS 42 PROI FZ SE
21	009578-023	1	SKIN, ASM, SXS 42 PROI FZ IB
21	009578-024	1	SKIN, ASM, SXS 42 PROI FZ AR
21	009578-025	1	SKIN, ASM, SXS 42 PROI FZ RR
21	009578-051	1	SKIN, ASM, SXS 42 FZ PROI CN
21	009578-052	1	SKIN, ASM, SXS 42 FZ PROI DJ
21	009578-053	1	SKIN, ASM, SXS 42 FZ PROI KB
21	009578-054	1	SKIN, ASM, SXS 42 FZ PROI WS
21	009155-100	1	SKIN, ASM, SXS 42 FZ PROI SS/BR
21	009578-102	1	SKIN, ASM, SXS 42 PROI FZ BK/BR
21	009578-103	1	SKIN, ASM, SXS 42 PROI FZ BT/BR
21	009578-104	1	SKIN, ASM, SXS 42 PROI FZ SG/BR
21	009578-105	1	SKIN, ASM, SXS 42 PROI FZ GG/BR
21	009578-107	1	SKIN, ASM, SXS 42 FZ PROI AL/BR
21	009578-108	1	SKIN, ASM, SXS 42 PROI FZ BU/BR
21	009578-109	1	SKIN, ASM, SXS 42 PROI FZ LE/BR
21	009578-110	1	SKIN, ASM, SXS 42 PROI FZ MJ/BR
21	009578-111	1	SKIN, ASM, SXS 42 FZ PROI FG/BR
21	009578-112	1	SKIN, ASM, SXS 42 PROI FZ VB/BR
21	009578-113	1	SKIN, ASM, SXS 42 PROI FZ CB/BR
21	009578-114	1	SKIN, ASM, SXS 42 PROI FZ EP/BR
21	009578-115	1	SKIN, ASM, SXS 42 PROI FZ PL/BR
21	009578-116	1	SKIN, ASM, SXS 42 PROI FZ CH/BR
21	009578-117	1	SKIN, ASM, SXS 42 PROI FZ TP/BR
21	009578-118	1	SKIN, ASM, SXS 42 PROI FZ CW/BR
21	009578-121	1	SKIN, ASM, SXS 42 PROI FZ SA/BR
21	009578-122	1	SKIN, ASM, SXS 42 PROI FZ SE/BR
21	009578-123	1	SKIN, ASM, SXS 42 PROI FZ IB/BR
21	009578-124	1	SKIN, ASM, SXS 42 PROI FZ AR/BR
21	009578-125	1	SKIN, ASM, SXS 42 PROI FZ RR/BR
21	009578-151	1	SKIN, ASM, SXS 42 FZ PROI CN/BR
21	009578-152	1	SKIN, ASM, SXS 42 FZ PROI DJ/BR
21	009578-153	1	SKIN, ASM, SXS 42 FZ PROI KB/BR
21	009578-154	1	SKIN, ASM, SXS 42 FZ PROI WS/BR

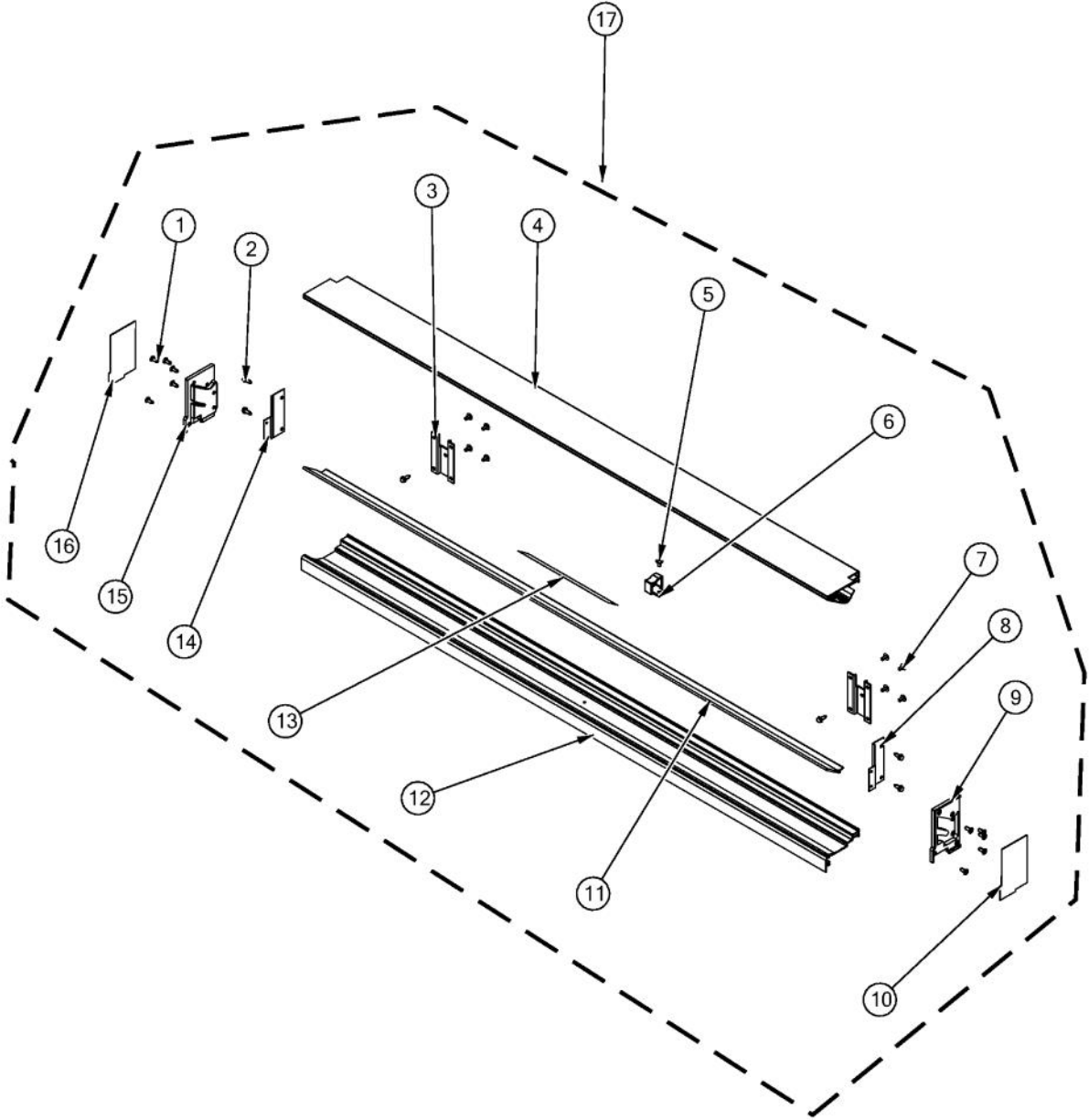


Ref #	Part Number	Qty.	Description
1	012891-000	1	HANDLE,PRO
2	000268-000	2	HANDLE END CAP ASSY
2	000268-100	2	HANDLE ENDCAP BRASS
3	036308-000	1	SKIN, DOOR, SXS 42 FF PROI SS
3	036323-002	1	SKIN, DOOR, SXS 42 FF PROI BK
3	036323-003	1	SKIN, DOOR, SXS 42 FF PROI BT
3	036323-004	1	SKIN, DOOR, SXS 42 FF PROI SG
3	036323-005	1	SKIN, DOOR, SXS 42 FF PROI GG
3	036323-008	1	SKIN, DOOR, SXS 42 FF PROI BU
3	036323-009	1	SKIN, DOOR, SXS 42 FF PROI LE
3	036323-010	1	SKIN, DOOR, SXS 42 FF PROI MJ
3	036323-012	1	SKIN, DOOR, SXS 42 FF PROI VB
3	036323-013	1	SKIN, DOOR, SXS 42 FF PROI CB
3	036323-015	1	SKIN, DOOR, SXS 42 FF PROI PL
3	036323-016	1	SKIN, DOOR, SXS 42 FF PROI CH
3	036323-017	1	SKIN, DOOR, SXS 42 FF PROI TP
3	036323-018	1	SKIN, DOOR, SXS 42 FF PROI CW
3	036323-021	1	SKIN, DOOR, SXS 42 FF PROI SA
3	036323-022	1	SKIN, DOOR, SXS 42 FF PROI SE
3	036323-023	1	SKIN, DOOR, SXS 42 FF PROI IB
3	036323-024	1	SKIN, DOOR, SXS 42 FF PROI AR
3	036323-025	1	SKIN, DOOR, SXS 42 FF PROI RR
3	036323-051	1	SKIN, DOOR, SXS 42 FF PROI CN
3	036323-052	1	SKIN, DOOR, SXS 42 FF PROI DJ
3	036323-053	1	SKIN, DOOR, SXS 42 FF PROI KB
3	036323-054	1	SKIN, DOOR, SXS 42 FF PROI WS
4	013328-000	1	BRKT,HANDLE,SUPPORT,PRO
5	M0204303	4	SCREW-MACH
6	M0210458	22	SCREW-SM
7	014581-000	2	SPACER,TRIM,SXS,AF,AR
8	PD920174	8	10-32 TORX HEAD SCREW
9	PD020234	1	SCREW THP 10-32 X .500 SS BO
10	PC020278	1	PIVOT PL ASM RH UP PRO/DES
11	PD040162	2	SPACER-DOOR HINGE
12	005451-000	1	GASKET,ASM,42,SXS,FF VIDNO. 602711807-17
13	007514-000	1	DOOR FOAM ASM SXS 42 FF
14	PC020276	1	PIVOT PL ASM RH LW PRO/DES
15	PD050019	1	STRIKER DOOR SWITCH
16	PK030557	2	TRIM DOOR BULLNOSE 42 FF TOP/BOT
17	007478-000	1	DOOR ASM SXS 42/42D FF
18	010586-000	1	SKIN,ASM,SXS 42 PROI FF SS
18	009575-002	1	SKIN, ASM, SXS 42 PROI FF BK
18	009575-003	1	SKIN, ASM, SXS 42 PROI FF BT
18	009575-004	1	SKIN, ASM, SXS 42 PROI FF SG
18	009575-005	1	SKIN, ASM, SXS 42 PROI FF GG
18	009575-008	1	SKIN, ASM, SXS 42 PROI FF BU
18	009575-009	1	SKIN, ASM, SXS 42 PROI FF LE
18	009575-010	1	SKIN, ASM, SXS 42 PROI FF MJ
18	009575-012	1	SKIN, ASM, SXS 42 PROI FF VB
18	009575-013	1	SKIN, ASM, SXS 42 PROI FF CB
18	009575-015	1	SKIN, ASM, SXS 42 PROI FF PL
18	009575-016	1	SKIN, ASM, SXS 42 PROI FF CH
18	009575-017	1	SKIN, ASM, SXS 42 PROI FF TP
18	009575-018	1	SKIN, ASM, SXS 42 PROI FF CW
18	009575-021	1	SKIN, ASM, SXS 42 PROI FF SA
18	009575-022	1	SKIN, ASM, SXS 42 PROI FF SE
18	009575-023	1	SKIN, ASM, SXS 42 PROI FF IB
18	009575-024	1	SKIN, ASM, SXS 42 PROI FF AR
18	009575-025	1	SKIN, ASM, SXS 42 PROI FF RR
18	009575-051	1	SKIN, ASM, SXS 42 FF PROI CN

Ref #	Part Number	Qty.	Description
18	009575-051	1	SKIN, ASM, SXS 42 FF PROI CN
18	009575-052	1	SKIN, ASM, SXS 42 FF PROI DJ
18	009575-053	1	SKIN, ASM, SXS 42 FF PROI KB
18	009575-054	1	SKIN, ASM, SXS 42 FF PROI WS
18	010586-100	1	SKIN, ASM, SXS 42 FF PROI SS/BR
18	009575-102	1	SKIN, ASM, SXS 42 PROI FF BK/BR
18	009575-103	1	SKIN, ASM, SXS 42 PROI FF BT/BR
18	009575-104	1	SKIN, ASM, SXS 42 PROI FF SG/BR
18	009575-105	1	SKIN, ASM, SXS 42 PROI FF GG/BR
18	009575-108	1	SKIN, ASM, SXS 42 PROI FF BU/BR
18	009575-109	1	SKIN, ASM, SXS 42 PROI FF LE/BR
18	009575-110	1	SKIN, ASM, SXS 42 PROI FF MJ/BR
18	009575-112	1	SKIN, ASM, SXS 42 PROI FF VB/BR
18	009575-113	1	SKIN, ASM, SXS 42 PROI FF CB/BR
18	009575-115	1	SKIN, ASM, SXS 42 PROI FF PL/BR
18	009575-116	1	SKIN, ASM, SXS 42 PROI FF CH/BR
18	009575-117	1	SKIN, ASM, SXS 42 PROI FF TP/BR
18	009575-118	1	SKIN, ASM, SXS 42 PROI FF CW/BR
18	009575-121	1	SKIN, ASM, SXS 42 PROI FF SA/BR
18	009575-122	1	SKIN, ASM, SXS 42 PROI FF SE/BR
18	009575-123	1	SKIN, ASM, SXS 42 PROI FF IB/BR
18	009575-124	1	SKIN, ASM, SXS 42 PROI FF AR/BR
18	009575-125	1	SKIN, ASM, SXS 42 PROI FF RR/BR
18	009575-151	1	SKIN, ASM, SXS 42 FF PROI CN/BR
18	009575-152	1	SKIN, ASM, SXS 42 FF PROI DJ/BR
18	009575-153	1	SKIN, ASM, SXS 42 FF PROI KB/BR
18	009575-154	1	SKIN, ASM, SXS 42 FF PROI WS/BR



Ref #	Part Number	Qty.	Description
1	PK930123	1	DAIRY MODULE ASM SXS 42
2	G5098676	3	DOORBIN ASM SXS 42 & 48 FZ
3	G5098675	4	DOORBIN ASM SXS 42 FF
NI	019244-000	1	ACCESSORY, ASM



Ref #	Part Number	Qty.	Description
1	M0215318	10	SCREW-SM
2	PD020194	6	SCREW-SM
3	PK050004	2	BRACKET GRILLE
4	PM910304	1	GRILLE UPPER SXS 42 DES
5	M0230028	1	SCREW-TC
6	PM910084	1	SUPPORT GRILLE 12201201
7	M0224128	8	SCREW-SM
8	K2099470	1	BRACKET GRILLE SUPPORT R
9	PM910348	1	ENP CAP GRILLE R
10	033729-000	1	ENDCAP, GRILLE, R, HINGE
11	PM910305	1	GRILLE CENTER SXS 42 DES
12	016193-000	1	GRILLE LOWER SXS 42 DES
13	PF930523	1	GRILL BLADE LABEL (REFRIGERATOR)
14	K2099471	1	BRACKET GRILLE SUPPORT L
15	PM910349	1	END CAP GRILLE L
16	033709-000	1	ENDCAP, GRILLE, L, HINGE
17	034236-000	1	GILLE, ASM, 42 SXS, PRO