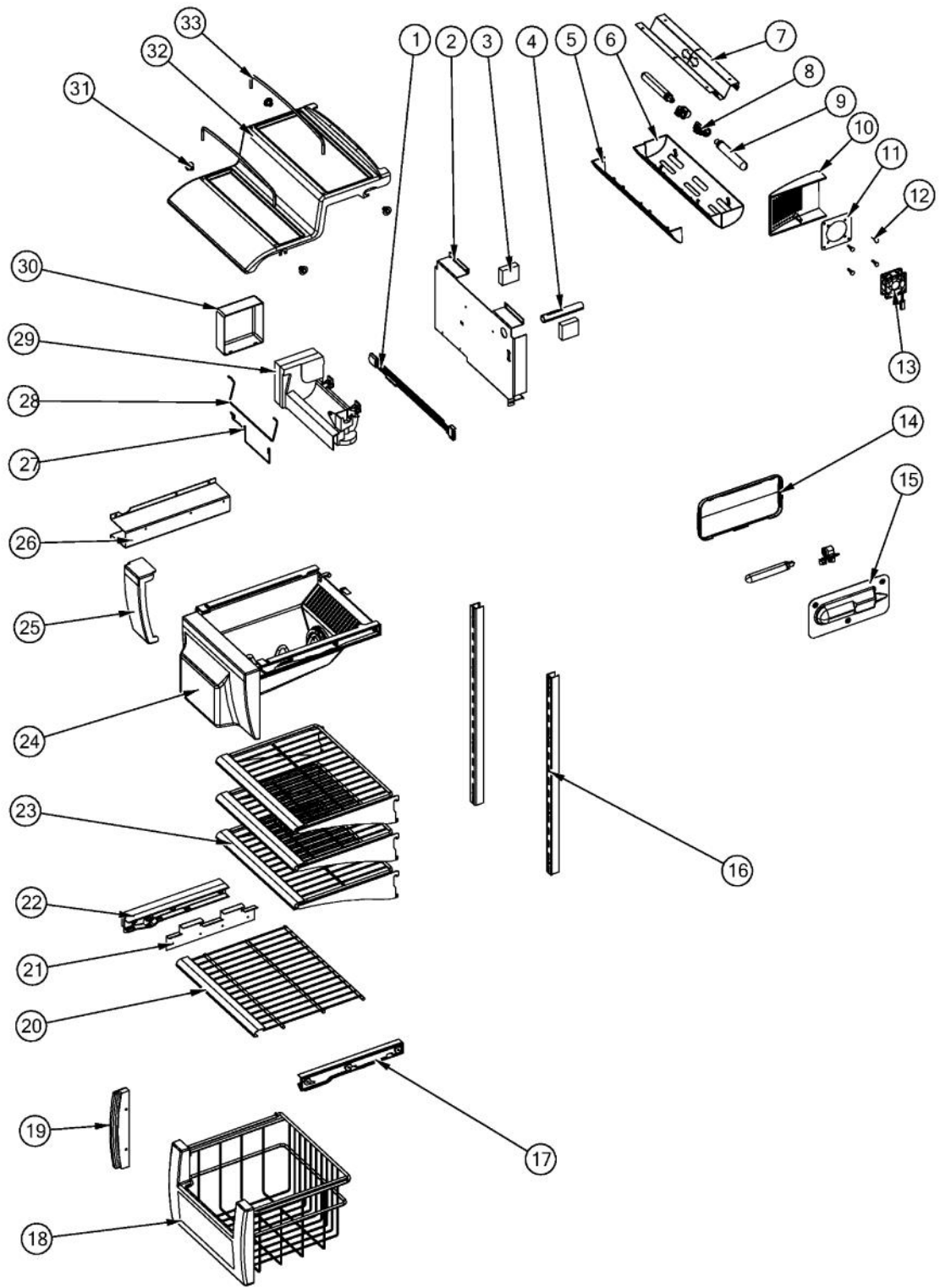
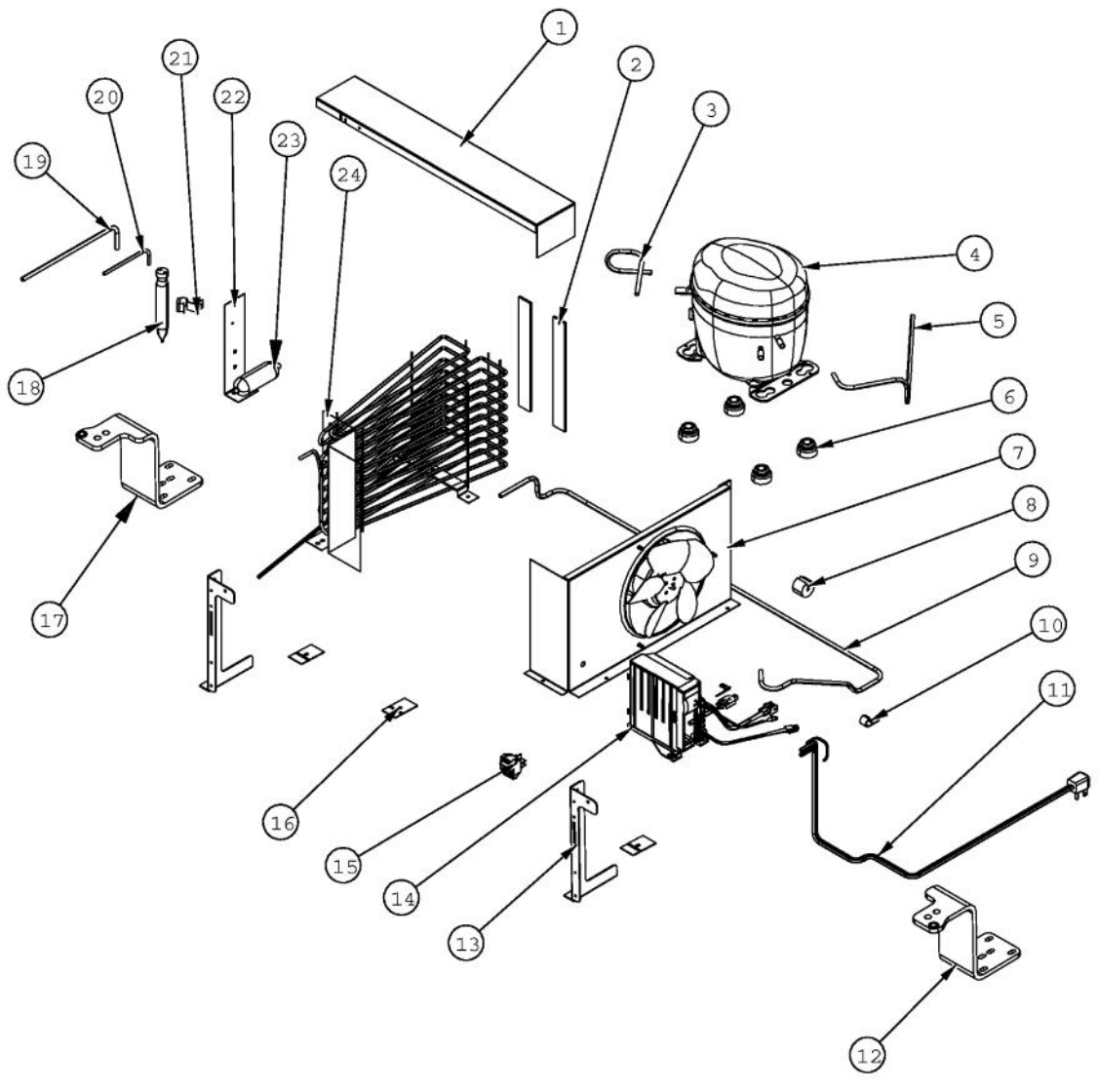


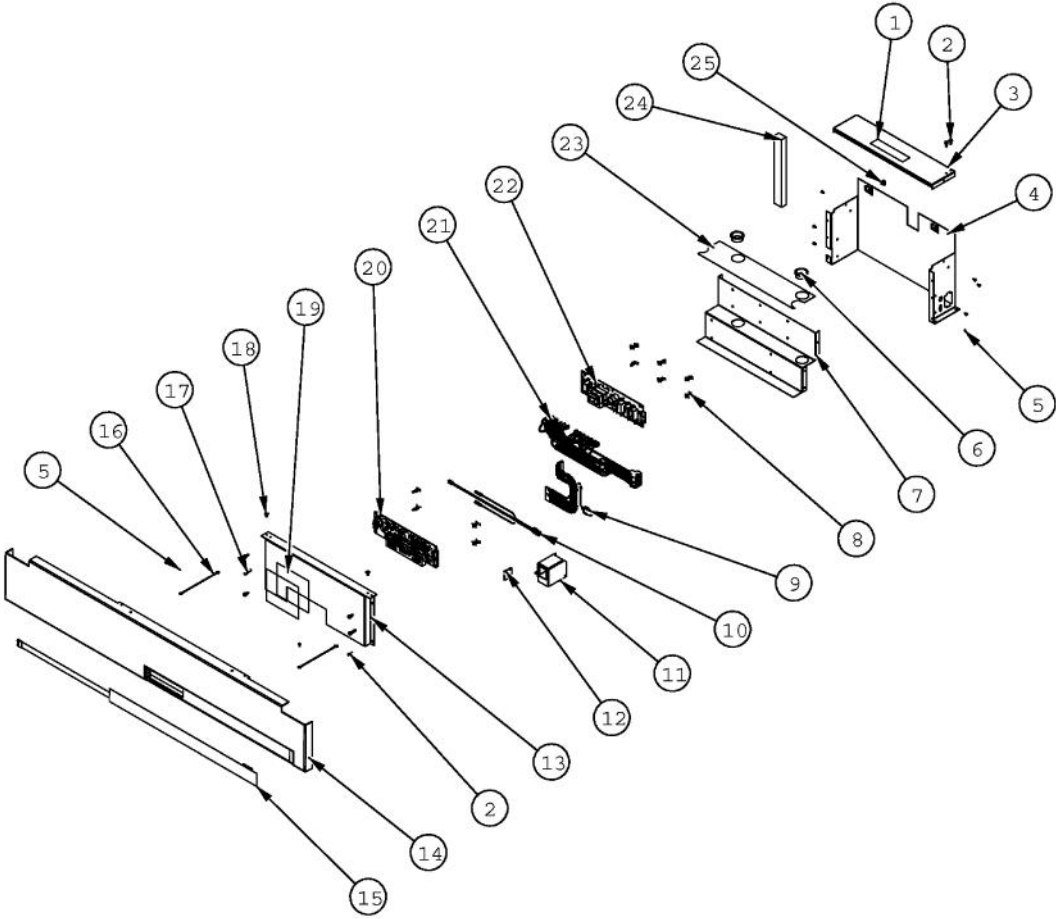
Ref #	Part Number	Qty.	Description
1	L2099474	1	BRACKET LIGHT SXS 42 FF
2	010093-000	1	PLASMA CLUSTER
3	M0104106	2	CLIP-CORD VM0104106
4	C8983701	1	THERMISTOR
5	012312-000	1	FAN COVER SXS
6	PK020079	1	LADDER FF L SXS 42D/48D
7	PM910227	1	LADDER RS REF
8	020118-000	1	COVER LIGHT LENS SXS 42 FF
9	020119-000	1	COVER LIGHT SXS 42 FF
10	PM910350	2	SHELF ASM GLASS SXS 42 FF
11	009927-000	1	PRODUCE 42
12	PM910343	1	RAIL DRAWER R
13	PK930290	1	SUPPORT SLIDE R
14	PK930171	1	DUCT MEAT SAVOR SXS 42 REAR
15	PK930114	1	DRAWER MEAT SAVOR SXS 42
16	PK930169	1	DUCT MEAT SAVOR SXS 42/48 R
17	PK930168	1	DIAL CONTROL MEAT SAVOR
18	PK930172	1	COVER CONTROL MEAT SAVOR
19	PM910334	1	ROLLER TENSION
20	PK930173	1	SUPPORT SLIDE MEAT SAVOR SXS 42/48 R
21	PK930175	1	SUPPORT DRAWER MEAT SAVOR SXS 42/48 R
22	PM910287	1	SLIDE MEAT SAVOR R
23	K20913096	2	BRACKET FALSE FLOOR
24	L20915031	1	COVER WATER FILTER 42/48 DISP
25	PB070251	2	INSULATION WATER FILTER SIDES
26	L2099251	1	FLOOR FALSE 42 SXS DISP
27	PM910288	1	SLIDE MEAT SAVOR L
28	PK930174	1	SUPPORT SLIDE MEAT SAVOR SXS 42/48 L
29	PK930176	1	SUPPORT DRAWER MEAT SAVOR 42/48 L
30	PK930313	1	COVER WATER FILTER SXS DISP
31	PK930237	1	COVER FALSE FRONT 42 SXS DISP
32	020108-000	1	DOOR FRAME MEATSAVOR SXS 42
33	020109-000	1	DOOR LENS MEATSAVOR SXS 42
34	PK930170	1	DUCT MEAT SAVOR SXS 42 L
35	PK930120	1	SHELF MEAT SAVOR SXS 42
36	PM910342	1	RAIL DRAWER L
37	PM910388	2	SLIDE DRAWER (R & L)
38	PK930291	1	SUPPORT SLIDE L
39	PK930346	2	COVER LIGHT
40	004528-000	6	LAMP, 40 WATT BLUE LIGHT
41	10270203	2	HOUSING-LIGHT V10270203
42	PE950125	6	LIGHT SOCKET
43	PD920162	4	SCR 8-16 PLASTITE PNP 1/4 S
44	PK930121	1	DRAWER DELI ASM SXS 42



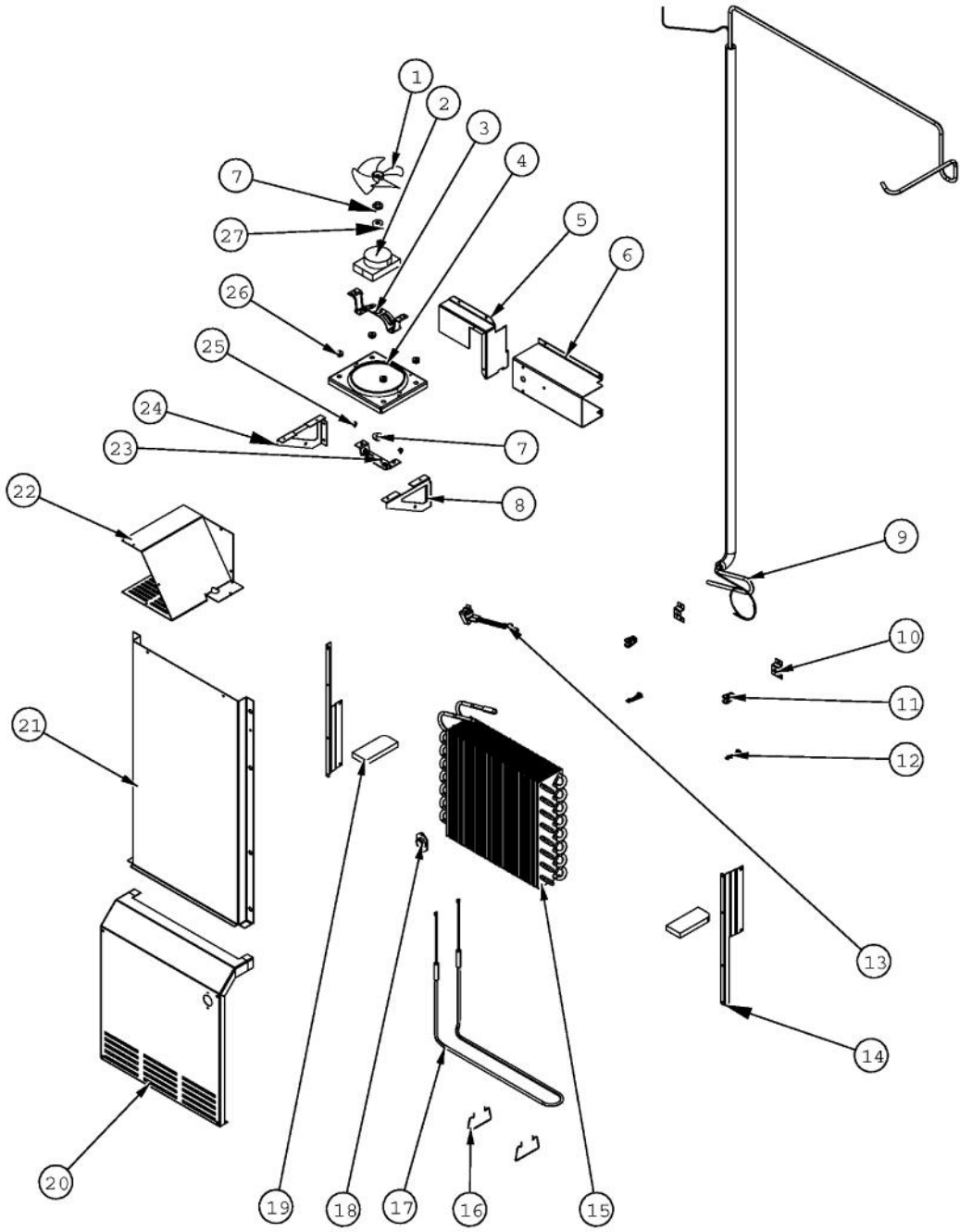
Ref #	Part Number	Qty.	Description
1	023112-000	1	HARNESS,ICE MAKER
2	C20910058	1	COVER UPPER EVAP
3	PB970176	2	GASKET UPPER EVAP COVER
4	PB920220	1	EXT FILL TUBE
5	020116-000	1	COVER LIGHT SXS 42 FZ
6	020115-000	1	COVER LIGHT LENS SXS 42 FZ
7	L2099475	1	BRACKET LIGHT SXS FZ
8	PE950125	3	LIGHT SOCKET
9	004528-000	3	LAMP, 40 WATT BLUE LIGHT
10	PK930086	1	COVER FAN SXS 48 FZ
11	007302-000	1	BRACKET,FAN
12	007301-000	4	GROMMET,RUBBER
13	004551-000	1	AXIAL FAN
14	PK930346	1	COVER LIGHT
15	10270203	1	HOUSING-LIGHT V10270203
16	PM910375	2	LADDER R/L FZ
17	PK930074	1	GLIDE SXS 48 FZ R
18	PM910190	1	BASKET ASM FZ
19	PK930107	1	FZ BASKET SIDE SPACER FRONT
20	PM910231	1	FZ FIXED BASKET ASSEMBLY
21	L20910067	1	FZ SHELF BRACKET
22	PK930075	1	GLIDE SXS 48 FZ L
23	PM910189	3	SHELF WIRE FZ
24	019144-000	1	ICE BUCKET ASSY
25	PK930096	1	CLOSEOUT - ICE DISPENSER
26	C2097582	1	SUPPORT LS ICE BUCKET
27	007082-000	1	WIRE, IM SHUTOFF
28	002329-000	1	ARM, IM SHUTOFF
29	G50911851	1	ICE MAKER ASM, SXS ND, AF
30	A3036901	1	LABEL-IM WAR BLU SL2
31	12258501	4	SUPPORT-SHELF
32	PK930264	1	SHELF COVER
33	PM910435	2	RETAINER WIRE



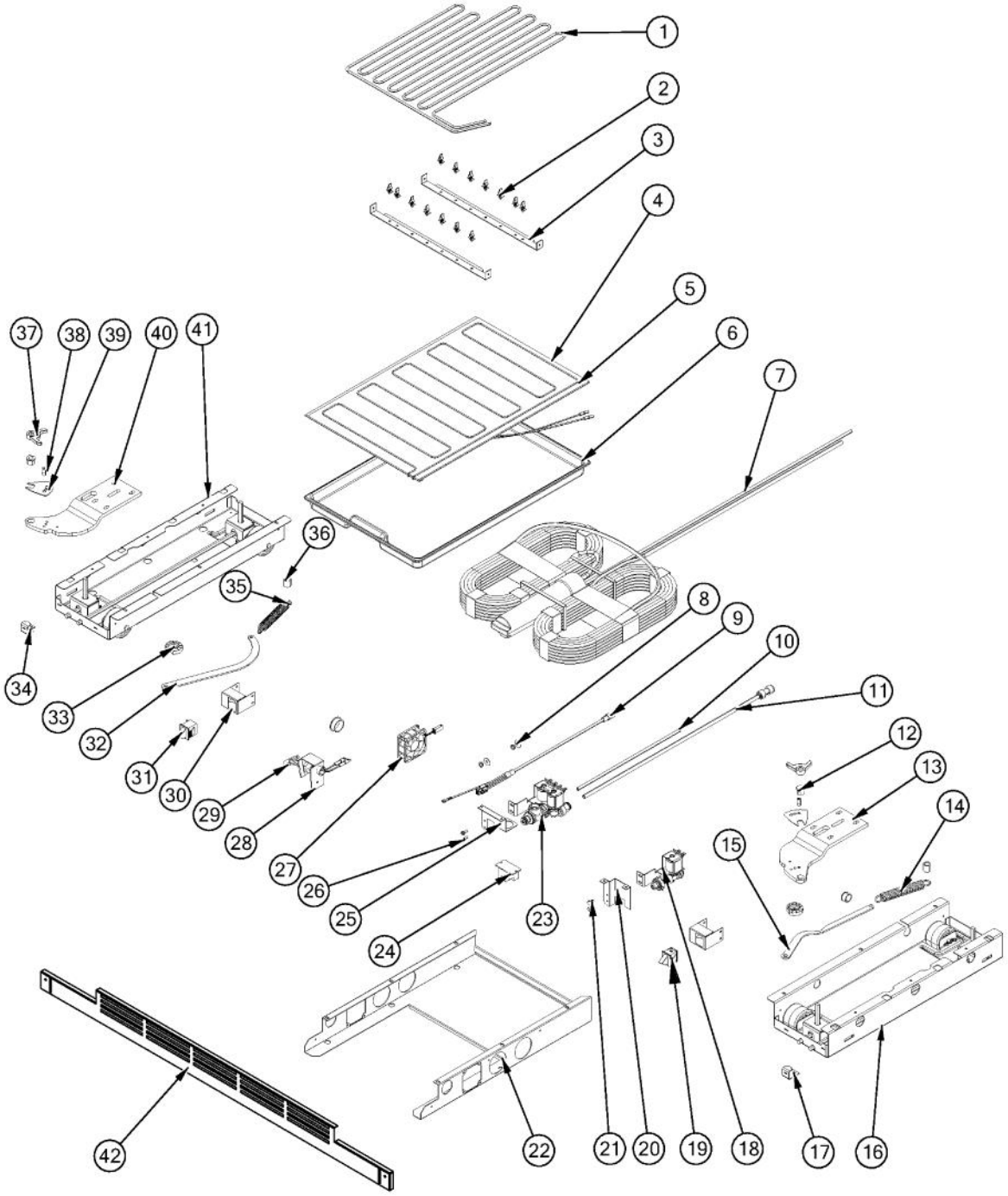
Ref #	Part Number	Qty.	Description
1	014519-000	1	DIVERter AIR HI SIDE SXS
2	A3189370	2	GASKET-FOAM VA3189370
3	F2096507	1	TUBE-PROCESS GRN
4	PM010619	1	COMPRESSOR VCC
5	F2099444	1	TUBE DISCHARGE FORMED POST ACCUM
6	10835901	4	GROMMET RUBBER V10835901
7	G5096494	1	COND. FAN ASSY
8	10699601	2	DAMPER-TUBING .8
9	F2099443	1	TUBE DISCHARGE FORMED PRE ACCUM
10	PD030118	1	SCREW - SHLDR
11	10916507	1	TUBE-PROCESS GRN
12	PC920203	1	HINGE ASM UR
13	014190-000	2	BRACKET GRILLE SUPPORT
14	011666-000	1	INVERTER CMPRESSOR
15	PE950149	1	SWITCH POWER
16	K2096943	3	PANEL BRACKET
17	PC920204	1	HINGE ASM UL
18	PM910381	1	DRIER - HIGH SIDE
19	F2097740	1	TUBE PROCESS
20	F2096504	1	TUBE-DRIER EXT
21	10547001	1	CLIP-DRIER V10547001
22	K2099454	1	BRACKET DRIER
23	PB920201	1	ACCUMULATOR
24	PB920171	1	CONDENSER ASM



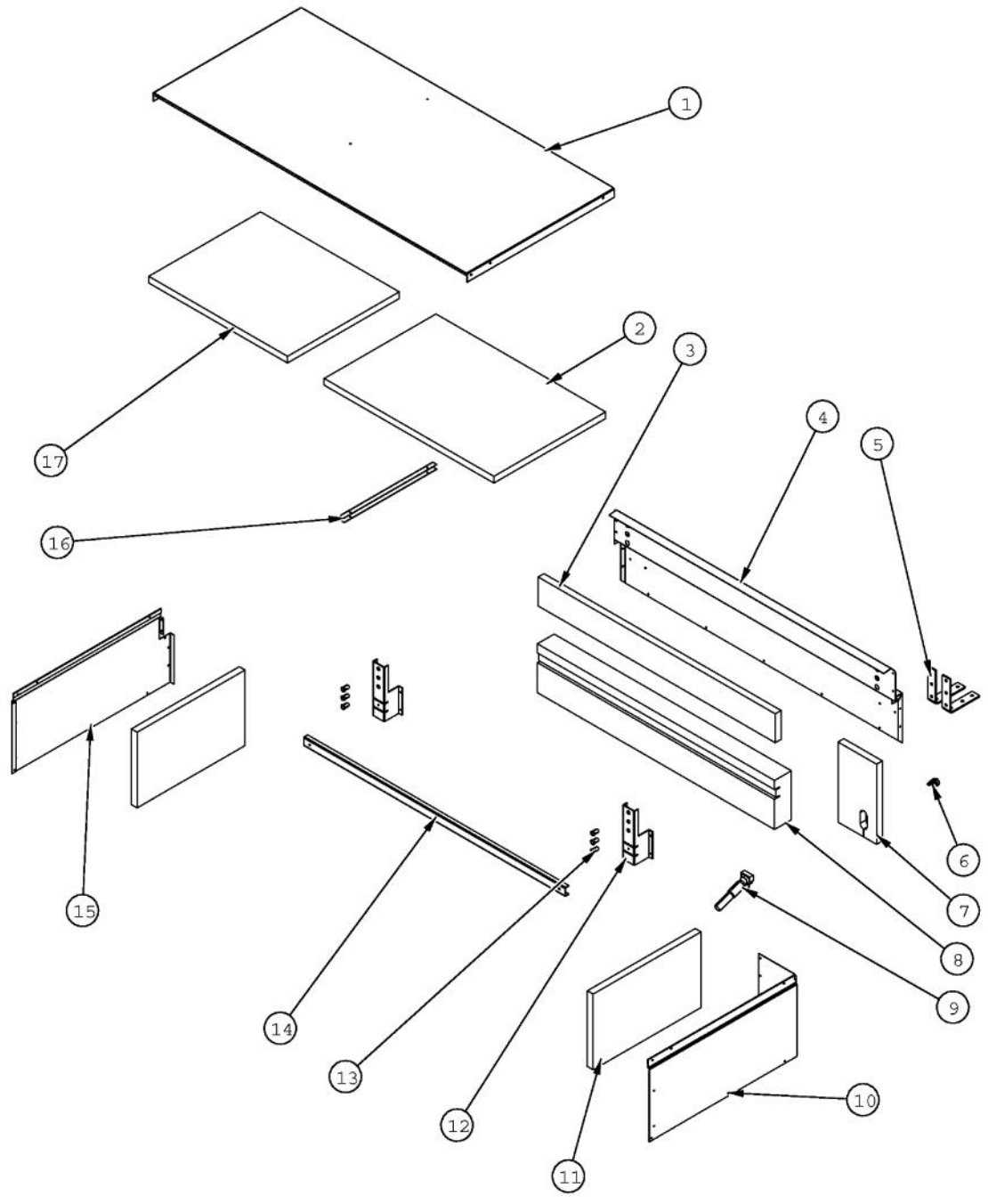
Ref #	Part Number	Qty.	Description
1	PF930487	1	TECH LITERATURE LABEL - 2
2	PD020194	10	SCREW-SM
3	K20915000	1	CONTROL BOX TOP
4	016928-000	1	CONTROL BOX
5	PC040010	8	POP RIVET
6	A4554817	2	BUSHING-SNAP VA4554817
7	019993-000	1	BRACKET - PC
8	M0585504	6	SUPPORT
9	PE970464	1	HARNESS LOW VOLT
10	PE970609	1	HARNESS CONTROL BOARD
11	025433-000	1	BRACKET,SW,POWER
12	M0104106	1	CLIP-CORD VM0104106
13	016930-000	1	CONTROL BOX FRONT
14	016527-000	1	PANEL CONTROL SXS 42
15	016271-000	1	OVERLAY SWITCH SXS 42 D
16	12064001	2	SUPP-CONT PANEL
17	M0238846	2	SCREW-SHLDR
18	M0224128	2	SCREW-SM
19	PF930672	2	LABEL DC COMPRESSOR
20	017695-000	1	BOARD LOW VOLTAGE
21	015365-000	1	HARNESS HIGH VOLT
22	005319-000	1	POWER CONTROL BOARD ASM
23	005396-000	1	FILM,PROTECTIVE
24	A3030361	1	GASKET, RED
25	M0288120	2	NUT-SPEED, VM0288120



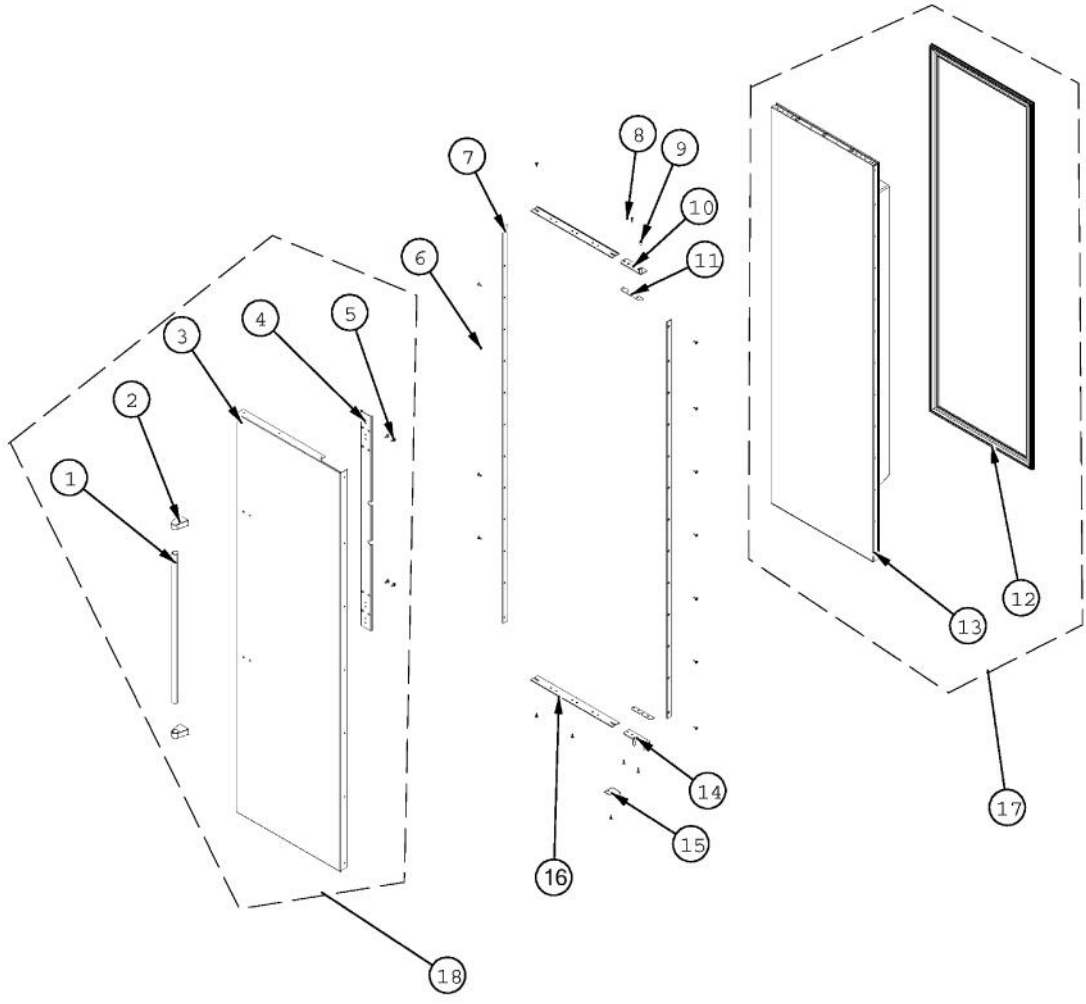
Ref #	Part Number	Qty.	Description
1	10855402	1	FAN-EVAP/4.330
2	PE950133	1	MOTOR FAN EVAP PANASONIC
3	PM010605	1	BRACKET MTR/SHROUD
4	PM910169	1	SHROUD EVAP FAN
5	L20914115WH	1	FAN BRACKET (FORMED)
6	C90914113WH	1	BRACKET - AUGER MOTOR (WH)
7	A1017202	2	GROMMET-FAN VA1017202
8	K2096457	1	BRKT-R-EVAP FAN 12223101
9	F2097793	1	TUBE FORMED HT EXCH
10	K2096456	2	BRKT-EVAP CLIP 12215101
11	10623003	2	CLIP-EVAP
12	10527401	2	CLIP-EVAP
13	PB910259	1	THERMOSTAT DEFROST TERMINATOR
14	K2096461	2	BRKT-EVAP COVER 12234801
15	PM910206	1	EVAPORATOR SXS 48
16	10428101	2	CLIP-EVAP HTR V10428101
17	PJ910031	1	HEATER EVAP SXS
18	C8983701	1	THERMISTOR
19	10629001	2	BLOCK-R AIR COIL RED
20	L20910054	1	COVER LOWER EVAP
21	L20910057	1	COVER CENTER EVAP
22	L20914114WH	1	FAN COVER (FORMED)
23	L2198650	1	BRACKET FAN EVAP VEN
24	K2096458	1	BRKT-L-EVAP-FAN 12223102
26	12234001	4	GROMMET-VIBRATION
27	PM910276	1	GROMMET FAN MOTOR
NI	A3189348	2	GASKET-FOAM VA3189348



Ref #	Part Number	Qty.	Description
1	F20915693	1	SERPENTINE CONDENSER DRAIN ALL SXS'S
2	PD030146	14	STAND OFF LOCK CLIP
3	K20911831	2	BRACKET CONDENSATE SUPPORT
4	PE070707	1	PAN HEATER
5	L20914124WH	1	TRAY PAN HEATER
6	PK930348	1	PAN DRAIN
7	PA030019	1	FILTER/COIL TUBE ASM
8	000586-000	2	WSHR FENDER .219X.688 X.030 BO
9	PE970590	1	HARNESS JUMPER LOWER (BEFORE 10/16/12)
9	040066-000	1	HARNESS JUMPER LOWER (ON OR AFTER 10/16/12
10	PB020303	1	PLASTIC TUBING-IM WATERLINE SXS DISP
11	PB020294	1	TUBE ASM-DOOR TO VALVE
12	PD940090	1	BUSHING - WC DOOR LEVEL
13	PC020288	1	HINGE PLATE LR
14	003867-000	1	SPRING EXTENSION
15	PC920166	1	BAR-WC BOT HINGE RH
16	PM910398	1	LEVELER ASSEMBLY - R
17	K2098044	1	BRKT GRILLE SUPPORT
18	PA070016	1	VALVE WATER SINGLE DISP
19	PE950147	1	SWITCH SPST NC BLACK
20	K20913788	1	BRKT VALVE H20 SINGLE
21	PD020194	2	SCREW-SM
22	K20915952	1	SHIELD BOTTOM DRAIN
23	PA970010	1	SUB TO G50911843 - VALVE WATER
24	014808-000	1	RELAY,WATER VALVE
25	K20914175	1	BRACKET, DUAL VALVE, J.G. INLET
26	M0220417	8	SCREW-TC
27	004551-000	1	AXIAL FAN
28	B20915627	1	BRACKET HORIZ FLOAT SWITCH
29	PE050248	1	FLOAT SWITCH HORIZONTAL
30	014334-000	2	BRACKET,LT,SWITCH
31	PE950146	2	SWITCH SPDT BLACK
32	PC920149	1	BAR-WC BOT HINGE LH
33	PM010602	2	CAM DOOR ADJUSTMENT
34	K2098096	1	BRKT GRILLE SUPPORT
35	PC910015	1	SPRING EXTENSION
36	PD940107	2	ROUND SPRING SPACER
37	PD940091	1	BUSHING - DOOR STOP
38	PC920145	1	PIN - DOOR STOP
39	PC920144	1	PLATE - WC DOOR SHIM
40	PC020289	1	HINGE PLATE LL
41	PM910399	1	LEVELER MODULE L

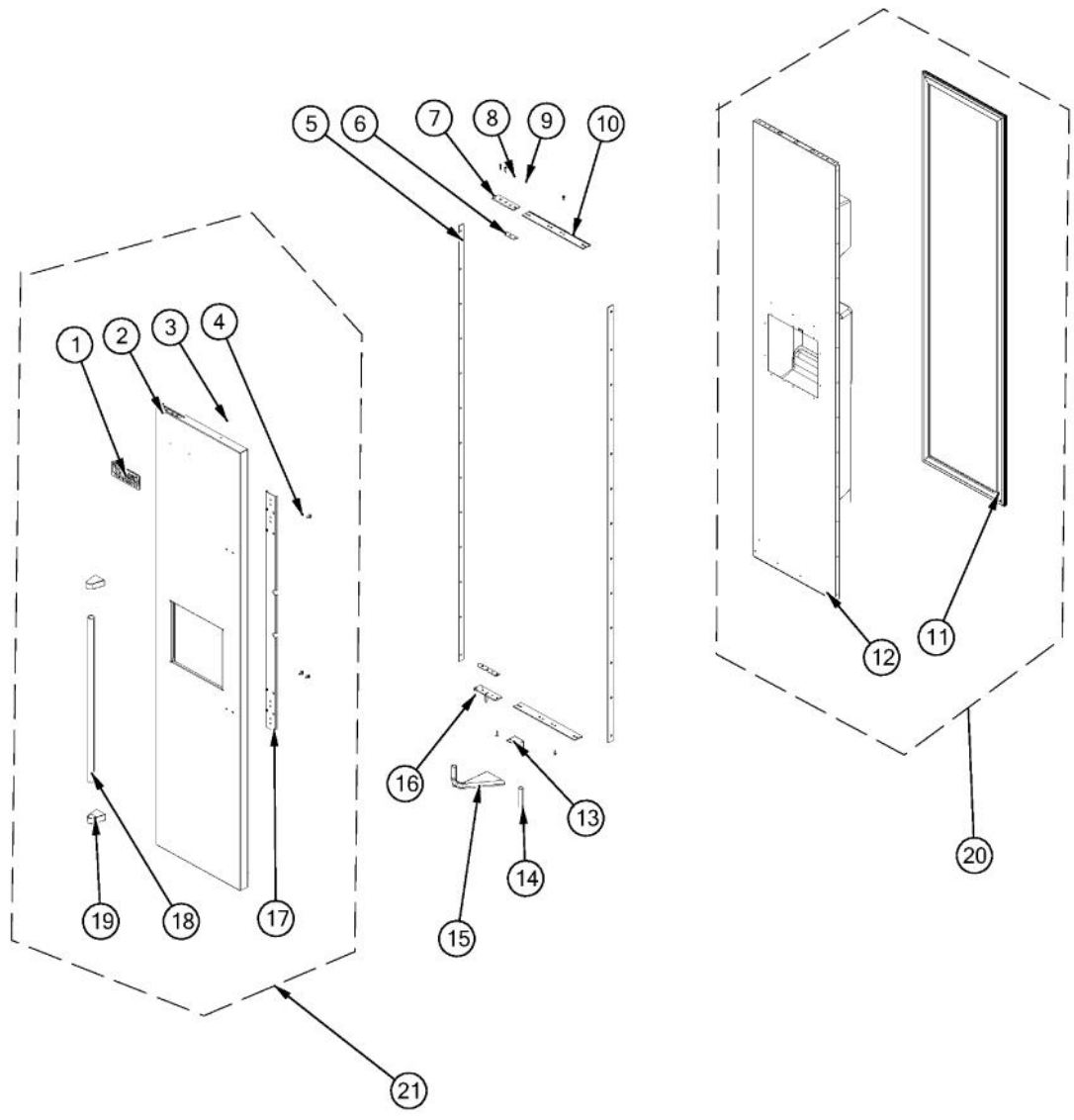


Ref #	Part Number	Qty.	Description
1	K2099458	1	MC TOP SXS 42
2	015031-000	1	INSULATION,FOAM,MC TOP RIGHT 42
3	PB070360	1	INSULATION MC COVER
4	K2099461	1	MC BACK 42
5	PK910089	2	BRACKET, ANTI - TIP
6	003104-000	1	BUSHING,STRN,RLF
7	007341-000	1	INSL, MC, BACK SIDE
8	PB070361	1	INSULATION MC COVER
9	G5096419	1	FILL TUBE ASSY 10942511
10	004614-000	1	MC SIDE R
11	PB070355	2	INSULATION MC COVER
12	K20915675	2	BRACKET PSM
13	PD040157	6	BEARING SLEEVE
14	K20915903	1	CROSSMEMBER PSM 42
15	K2099460	1	MC SIDE L
16	K2099455	1	SUPPORT MC Z
17	015032-000	1	INSULATION,FOAM,MC TOP LEFT 42



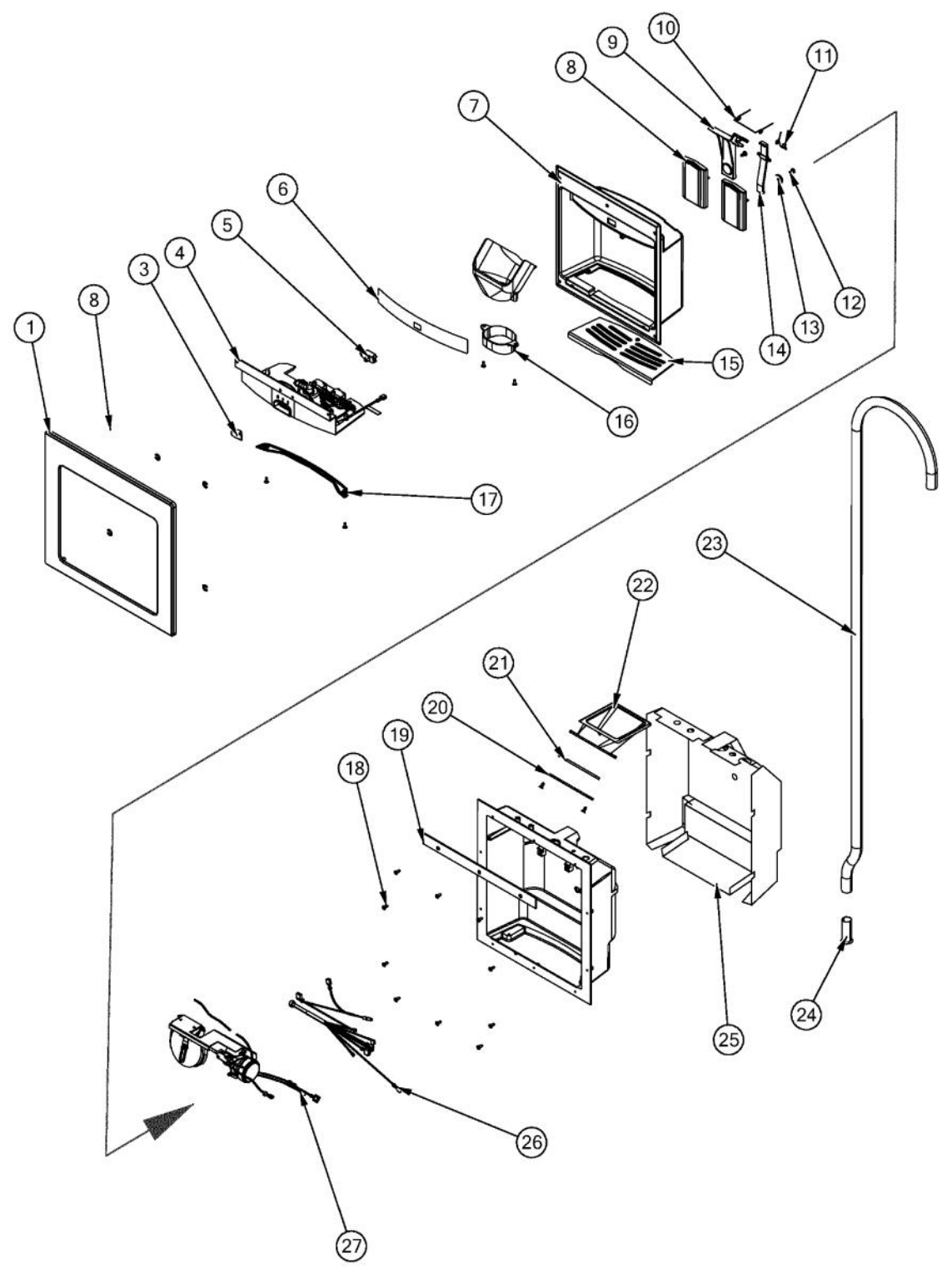
Ref #	Part Number	Qty.	Description
1	012891-000	1	HANDLE,PRO
2	000268-000	2	HANDLE END CAP ASSY
2	000268-100	2	HANDLE ENDCAP BRASS
3	036308-000	1	SKIN, DOOR, SXS 42 FF PROI SS
3	036323-002	1	SKIN, DOOR, SXS 42 FF PROI BK
3	036323-003	1	SKIN, DOOR, SXS 42 FF PROI BT
3	036323-004	1	SKIN, DOOR, SXS 42 FF PROI SG
3	036323-005	1	SKIN, DOOR, SXS 42 FF PROI GG
3	036323-008	1	SKIN, DOOR, SXS 42 FF PROI BU
3	036323-009	1	SKIN, DOOR, SXS 42 FF PROI LE
3	036323-010	1	SKIN, DOOR, SXS 42 FF PROI MJ
3	036323-012	1	SKIN, DOOR, SXS 42 FF PROI VB
3	036323-013	1	SKIN, DOOR, SXS 42 FF PROI CB
3	036323-015	1	SKIN, DOOR, SXS 42 FF PROI PL
3	036323-016	1	SKIN, DOOR, SXS 42 FF PROI CH
3	036323-017	1	SKIN, DOOR, SXS 42 FF PROI TP
3	036323-018	1	SKIN, DOOR, SXS 42 FF PROI CW
3	036323-021	1	SKIN, DOOR, SXS 42 FF PROI SA
3	036323-022	1	SKIN, DOOR, SXS 42 FF PROI SE
3	036323-023	1	SKIN, DOOR, SXS 42 FF PROI IB
3	036323-024	1	SKIN, DOOR, SXS 42 FF PROI AR
3	036323-025	1	SKIN, DOOR, SXS 42 FF PROI RR
3	036323-051	1	SKIN, DOOR, SXS 42 FF PROI CN
3	036323-052	1	SKIN, DOOR, SXS 42 FF PROI DJ
3	036323-053	1	SKIN, DOOR, SXS 42 FF PROI KB
3	036323-054	1	SKIN, DOOR, SXS 42 FF PROI WS
4	013328-000	1	BRKT,HANDLE,SUPPORT,PRO
5	M0204303	4	SCREW-MACH
6	M0210458	22	SCREW-SM
7	014581-000	2	SPACER,TRIM,SXS,AF,AR
8	PD920174	8	10-32 TORX HEAD SCREW
9	PD020234	1	SCREW THP 10-32 X .500 SS BO
10	PC020278	1	PIVOT PL ASM RH UP PRO/DES
11	PD040162	2	SPACER-DOOR HINGE
12	005451-000	1	GASKET,ASM,42,SXS,FF VIDNO. 602711807-17
13	007514-000	1	DOOR FOAM ASM SXS 42 FF
14	PC020276	1	PIVOT PL ASM RH LW PRO/DES
15	PD050019	1	STRIKER DOOR SWITCH
16	PK030557	2	TRIM DOOR BULLNOSE 42 FF TOP/BOT
17	007478-000	1	DOOR ASM SXS 42/42D FF
18	010586-000	1	SKIN,ASM,SXS 42 PROI FF SS
18	009575-002	1	SKIN, ASM, SXS 42 PROI FF BK
18	009575-003	1	SKIN, ASM, SXS 42 PROI FF BT
18	009575-004	1	SKIN, ASM, SXS 42 PROI FF SG
18	009575-005	1	SKIN, ASM, SXS 42 PROI FF GG
18	009575-008	1	SKIN, ASM, SXS 42 PROI FF BU
18	009575-009	1	SKIN, ASM, SXS 42 PROI FF LE
18	009575-010	1	SKIN, ASM, SXS 42 PROI FF MJ
18	009575-012	1	SKIN, ASM, SXS 42 PROI FF VB
18	009575-013	1	SKIN, ASM, SXS 42 PROI FF CB
18	009575-015	1	SKIN, ASM, SXS 42 PROI FF PL
18	009575-016	1	SKIN, ASM, SXS 42 PROI FF CH
18	009575-017	1	SKIN, ASM, SXS 42 PROI FF TP
18	009575-018	1	SKIN, ASM, SXS 42 PROI FF CW
18	009575-021	1	SKIN, ASM, SXS 42 PROI FF SA
18	009575-022	1	SKIN, ASM, SXS 42 PROI FF SE
18	009575-023	1	SKIN, ASM, SXS 42 PROI FF IB
18	009575-024	1	SKIN, ASM, SXS 42 PROI FF AR
18	009575-025	1	SKIN, ASM, SXS 42 PROI FF RR
18	009575-051	1	SKIN, ASM, SXS 42 FF PROI CN

Ref #	Part Number	Qty.	Description
18	009575-051	1	SKIN, ASM, SXS 42 FF PROI CN
18	009575-052	1	SKIN, ASM, SXS 42 FF PROI DJ
18	009575-053	1	SKIN, ASM, SXS 42 FF PROI KB
18	009575-054	1	SKIN, ASM, SXS 42 FF PROI WS
18	010586-100	1	SKIN, ASM, SXS 42 FF PROI SS/BR
18	009575-102	1	SKIN, ASM, SXS 42 PROI FF BK/BR
18	009575-103	1	SKIN, ASM, SXS 42 PROI FF BT/BR
18	009575-104	1	SKIN, ASM, SXS 42 PROI FF SG/BR
18	009575-105	1	SKIN, ASM, SXS 42 PROI FF GG/BR
18	009575-108	1	SKIN, ASM, SXS 42 PROI FF BU/BR
18	009575-109	1	SKIN, ASM, SXS 42 PROI FF LE/BR
18	009575-110	1	SKIN, ASM, SXS 42 PROI FF MJ/BR
18	009575-112	1	SKIN, ASM, SXS 42 PROI FF VB/BR
18	009575-113	1	SKIN, ASM, SXS 42 PROI FF CB/BR
18	009575-115	1	SKIN, ASM, SXS 42 PROI FF PL/BR
18	009575-116	1	SKIN, ASM, SXS 42 PROI FF CH/BR
18	009575-117	1	SKIN, ASM, SXS 42 PROI FF TP/BR
18	009575-118	1	SKIN, ASM, SXS 42 PROI FF CW/BR
18	009575-121	1	SKIN, ASM, SXS 42 PROI FF SA/BR
18	009575-122	1	SKIN, ASM, SXS 42 PROI FF SE/BR
18	009575-123	1	SKIN, ASM, SXS 42 PROI FF IB/BR
18	009575-124	1	SKIN, ASM, SXS 42 PROI FF AR/BR
18	009575-125	1	SKIN, ASM, SXS 42 PROI FF RR/BR
18	009575-151	1	SKIN, ASM, SXS 42 FF PROI CN/BR
18	009575-152	1	SKIN, ASM, SXS 42 FF PROI DJ/BR
18	009575-153	1	SKIN, ASM, SXS 42 FF PROI KB/BR
18	009575-154	1	SKIN, ASM, SXS 42 FF PROI WS/BR

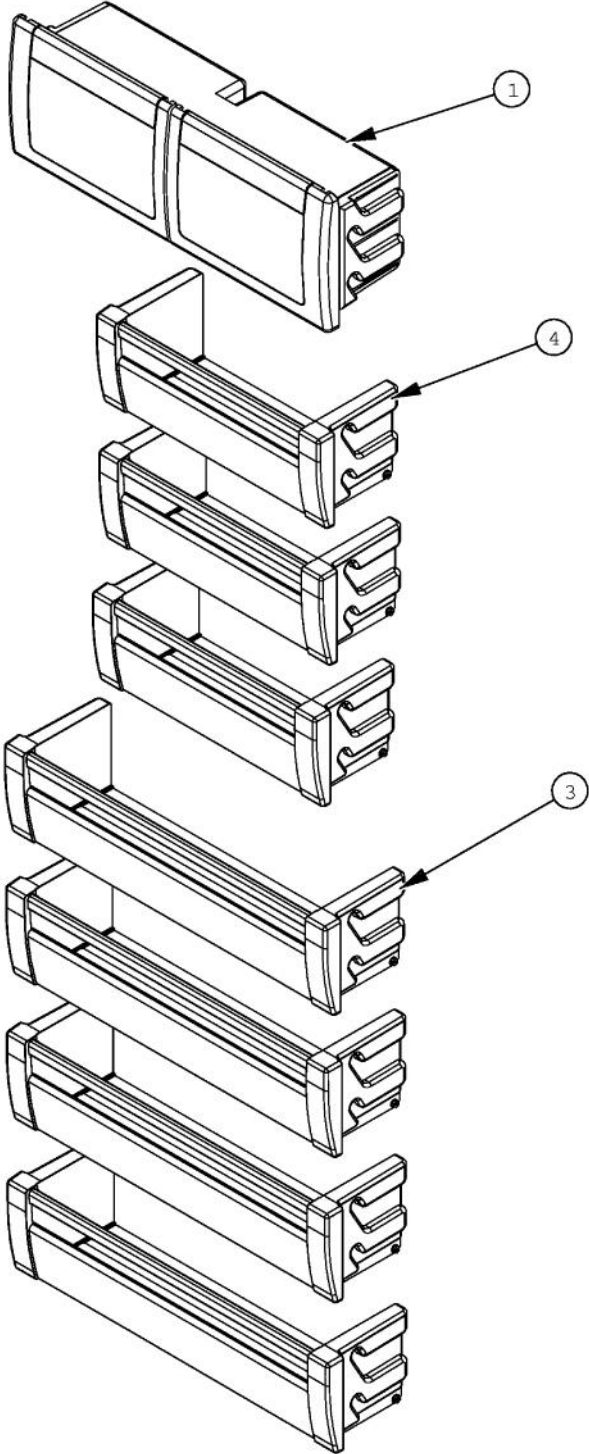


Ref #	Part Number	Qty.	Description
1	PE010030	1	LOGO, 6, PRO, BK
1	PE010068	1	LOGO, 6, PRO, BK/BR
2	037464-000	1	SKIN, DOOR, SXS 42D PROI FZ SS
2	037465-002	1	SKIN, DOOR, SXS 42D PROI FZ BK
2	037465-003	1	SKIN, DOOR, SXS 42D PROI FZ BT
2	037465-004	1	SKIN, DOOR, SXS 42D PROI FZ SG
2	037465-005	1	SKIN, DOOR, SXS 42D PROI FZ GG
2	037465-008	1	SKIN, DOOR, SXS 42D PROI FZ BU
2	037465-009	1	SKIN, DOOR, SXS 42D PROI FZ LE
2	037465-010	1	SKIN, DOOR, SXS 42D PROI FZ MJ
2	037465-012	1	SKIN, DOOR, SXS 42D PROI FZ VB
2	037465-013	1	SKIN, DOOR, SXS 42D PROI FZ CB
2	037465-015	1	SKIN, DOOR, SXS 42D PROI FZ PL
2	037465-016	1	SKIN, DOOR, SXS 42D PROI FZ CH
2	037465-017	1	SKIN, DOOR, SXS 42D PROI FZ TP
2	037465-018	1	SKIN, DOOR, SXS 42D PROI FZ CW
2	037465-021	1	SKIN, DOOR, SXS 42D PROI FZ SA
2	037465-022	1	SKIN, DOOR, SXS 42D PROI FZ SE
2	037465-023	1	SKIN, DOOR, SXS 42D PROI FZ IB
2	037465-024	1	SKIN, DOOR, SXS 42D PROI FZ AR
2	037465-025	1	SKIN, DOOR, SXS 42D PROI FZ RR
2	037465-051	1	SKIN, DOOR, SXS 42D PROI FZ CN
2	037465-052	1	SKIN, DOOR, SXS 42D PROI FZ DJ
2	037465-053	1	SKIN, DOOR, SXS 42D PROI FZ KB
2	037465-054	1	SKIN, DOOR, SXS 42D PROI FZ WS
3	PD030006	2	CAPPED WASHER PAL NUT
4	M0204303	4	SCREW-MACH
5	014581-000	2	SPACER,TRIM,SXS,AF,AR
6	PD040162	2	SPACER-DOOR HINGE
7	033780-000	1	PIVOT PLATE ASM LH UP PRO DES SXS, AFAR
8	PD920174	8	10-32 TORX HEAD SCREW
9	M0210458	5	SCREW-SM
10	PK030558	2	TRIM DOOR BULLNOSE 42 FZ TOP/BOT
11	005453-000	1	GASKET, ASM, 42, SXS, FZ DISP
12	016264-000	1	DOOR FOAM ASM 42D FZ
13	PD050019	1	STRIKER DOOR SWITCH
14	PB020301	1	STEM ELBOW 1/4
15	PK930297	1	ELBOW CHASE SXS DISP
16	016182-000	1	PIVOT PL ASM LH LW PRO/DES
17	013328-000	1	BRKT,HANDLE,SUPPORT,PRO
18	012891-000	1	HANDLE,PRO
19	000268-000	2	HANDLE END CAP ASSY
19	000268-100	2	HANDLE ENDCAP BRASS
20	007495-000	1	DOOR ASM SXS 42D FZ
21	010618-000	1	SKIN, ASM, SXS 42D FZ PROI SS
21	009581-002	1	SKIN, ASM, SXS 42D FZ PROI BK
21	009581-003	1	SKIN, ASM, SXS 42D FZ PROI BT
21	009581-004	1	SKIN, ASM, SXS 42D FZ PROI SG
21	009581-005	1	SKIN, ASM, SXS 42D FZ PROI GG
21	009581-008	1	SKIN, ASM, SXS 42D FZ PROI BU
21	009581-009	1	SKIN, ASM, SXS 42D FZ PROI LE
21	009581-010	1	SKIN, ASM, SXS 42D FZ PROI MJ
21	009581-012	1	SKIN, ASM, SXS 42D FZ PROI VB
21	009581-013	1	SKIN, ASM, SXS 42D FZ PROI CB
21	009581-015	1	SKIN, ASM, SXS 42D FZ PROI PL
21	009581-016	1	SKIN, ASM, SXS 42D FZ PROI CH
21	009581-017	1	SKIN, ASM, SXS 42D FZ PROI TP
21	009581-018	1	SKIN, ASM, SXS 42D FZ PROI CW
21	009581-021	1	SKIN, ASM, SXS 42D FZ PROI SA
21	009581-022	1	SKIN, ASM, SXS 42D FZ PROI SE

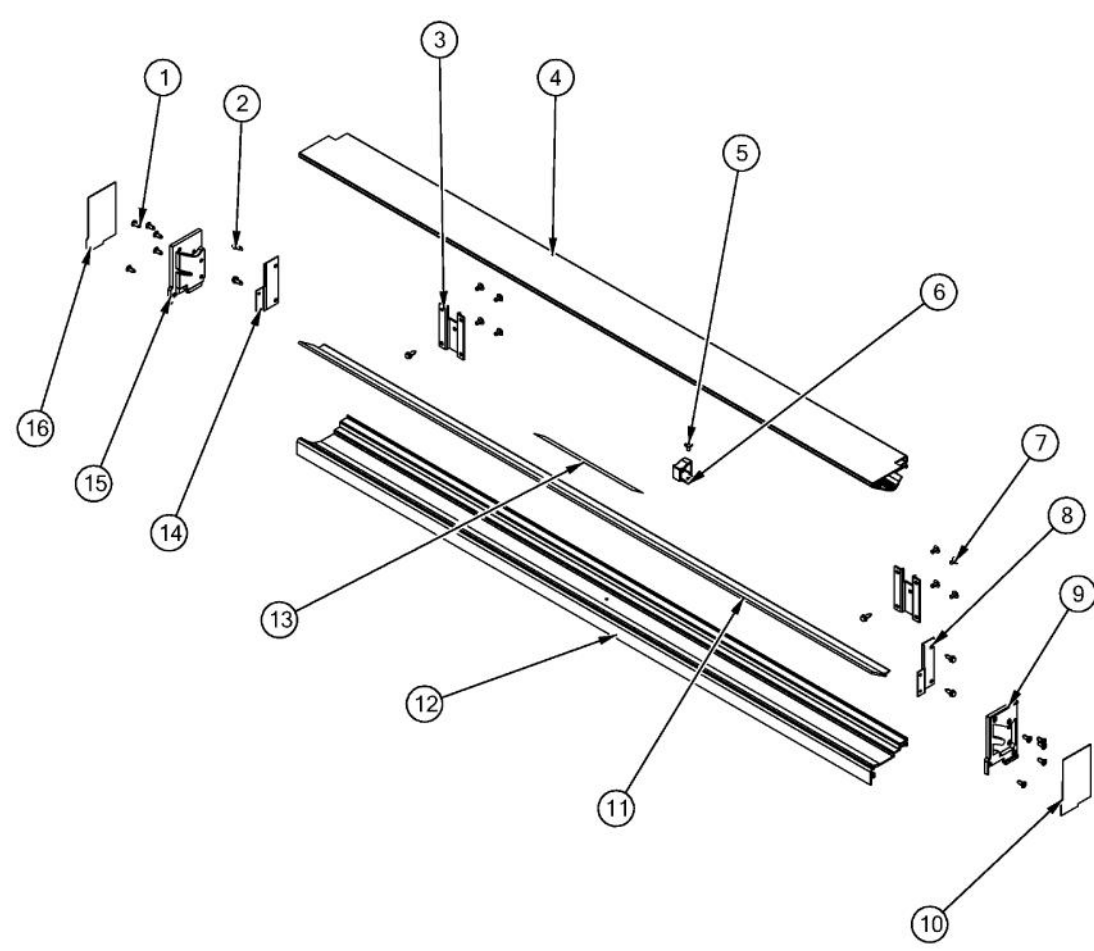
Ref #	Part Number	Qty.	Description
21	009581-022	1	SKIN, ASM, SXS 42D FZ PROI SE
21	009581-023	1	SKIN, ASM, SXS 42D FZ PROI IB
21	009581-024	1	SKIN, ASM, SXS 42D FZ PROI AR
21	009581-025	1	SKIN, ASM, SXS 42D FZ PROI RR
21	009581-051	1	SKIN, ASM, SXS 42D FZ PROI CN
21	009581-052	1	SKIN, ASM, SXS 42D FZ PROI DJ
21	009581-053	1	SKIN, ASM, SXS 42D FZ PROI KB
21	009581-054	1	SKIN, ASM, SXS 42D FZ PROI WS
21	009155-100	1	SKIN, ASM, SXS 42 FZ PROI SS/BR
21	009581-102	1	SKIN, ASM, SXS 42D FZ PROI BK/BR
21	009581-103	1	SKIN, ASM, SXS 42D FZ PROI BT/BR
21	009581-104	1	SKIN, ASM, SXS 42D FZ PROI SG/BR
21	009581-105	1	SKIN, ASM, SXS 42D FZ PROI GG/BR
21	009581-107	1	SKIN, ASM, SXS 42D FZ PROI AL/BR
21	009581-108	1	SKIN, ASM, SXS 42D FZ PROI BU/BR
21	009581-109	1	SKIN, ASM, SXS 42D FZ PROI LE/BR
21	009581-110	1	SKIN, ASM, SXS 42D FZ PROI MJ/BR
21	009581-111	1	SKIN, ASM, SXS 42D FZ PROI FG/BR
21	009581-112	1	SKIN, ASM, SXS 42D FZ PROI VB/BR
21	009581-113	1	SKIN, ASM, SXS 42D FZ PROI CB/BR
21	009581-114	1	SKIN, ASM, SXS 42D FZ PROI EP/BR
21	009581-115	1	SKIN, ASM, SXS 42D FZ PROI PL/BR
21	009581-116	1	SKIN, ASM, SXS 42D FZ PROI CH/BR
21	009581-117	1	SKIN, ASM, SXS 42D FZ PROI TP/BR
21	009581-118	1	SKIN, ASM, SXS 42D FZ PROI CW/BR
21	009581-121	1	SKIN, ASM, SXS 42D FZ PROI SA/BR
21	009581-122	1	SKIN, ASM, SXS 42D FZ PROI SE/BR
21	009581-123	1	SKIN, ASM, SXS 42D FZ PROI IB/BR
21	009581-124	1	SKIN, ASM, SXS 42D FZ PROI AR/BR
21	009581-125	1	SKIN, ASM, SXS 42D FZ PROI RR/BR
21	009581-151	1	SKIN, ASM, SXS 42D FZ PROI CN/BR
21	009581-152	1	SKIN, ASM, SXS 42D FZ PROI DJ/BR
21	009581-153	1	SKIN, ASM, SXS 42D FZ PROI KB/BR
21	009581-154	1	SKIN, ASM, SXS 42D FZ PROI WS/BR



Ref #	Part Number	Qty.	Description
1	009435-000	1	BEZEL, OVERLAY
2	014845-000	5	RETAINER CLIP,BEZEL OVERLAY
3	013685-000	1	CAP, SWITCH
4	PE070755	1	DISPENSER CAVITY ASSEMBLY
5	PE950152	1	SWITCH SLIDE
6	PB910281	1	INSERT FACADE SXS DISPENSER
7	015162-000	1	BEZEL, PROI, I/W DISPENSER
8	009631-000	2	PAD ACTUATOR
9	PK030470	1	ARM ICE ACTUATOR
10	PC010022	1	SPRING RETURN ICE ACTUATOR
11	B8385402	1	SPRING-RETURN
12	M0210443	2	SCREW-E SM
13	M0270546	2	WASHER
14	PK930404	1	ARM WATER ACTUATOR
15	013682-000	1	TRAY, SPILL, PROI, I/W DISPENSER 42D&48D
16	013684-000	1	SHROUD, I/W DISPENSER
17	013686-000	1	STOP, E FACADE
18	M0215318	4	SCREW-SM
19	PK930374	1	SHIM
20	PK930401	1	DEFLECTOR-ICE
21	12193801	1	GASKET - ICE DR
22	V12348201	1	CHUTE ICE
23	PK930410	1	CHASE WATERLINE
24	PK930293	1	ADAPTER CABLE/WATERLINE BOTTOM SXS DISP
25	PE970484	1	HEATER CAVITY
26	PE070751	1	HARNES JUMPER DISP CAVITY
27	G50914150	1	ICE DISPENSER MODULE ASM



Ref #	Part Number	Qty.	Description
1	PK930123	1	DAIRY MODULE ASM SXS 42
2	G5098676	3	DOORBIN ASM SXS 42 & 48 FZ
3	G5098675	4	DOORBIN ASM SXS 42 FF
NI	019244-000	1	ACCESSORY, ASM



Ref #	Part Number	Qty.	Description
1	M0215318	10	SCREW-SM
2	PD020194	6	SCREW-SM
3	PK050004	2	BRACKET GRILLE
4	PM910304	1	GRILLE UPPER SXS 42 DES
5	M0230028	1	SCREW-TC
6	PM910084	1	SUPPORT GRILLE 12201201
7	M0224128	8	SCREW-SM
8	K2099470	1	BRACKET GRILLE SUPPORT R
9	PM910348	1	ENP CAP GRILLE R
10	033729-000	1	ENDCAP, GRILLE, R, HINGE
11	PM910305	1	GRILLE CENTER SXS 42 DES
12	016193-000	1	GRILLE LOWER SXS 42 DES
13	PF930523	1	GRILL BLADE LABEL (REFRIGERATOR)
14	K2099471	1	BRACKET GRILLE SUPPORT L
15	PM910349	1	END CAP GRILLE L
16	033709-000	1	ENDCAP, GRILLE, L, HINGE

*No Image
Available*

Ref #	Part Number	Qty.	Description
NI	043051-000	1	DISPENSER HARNESS KIT FOR TR-0076-SP BULLETIN
NI	PE970598	1	HARNESS CAB FF SXS
NI	12102501	4	RET-HARNESS
NI	015005-000	1	HARNESS,CAB FZ SXS DISP?
NI	040066-000	1	HARNESS JUMPER LOWER
NI	011059-000	1	HARNESS, JUMPER
NI	015364-000	1	HARNESS WIRING SXS MACHINE
NI	PE970464	1	HARNESS LOW VOLT
NI	015365-000	1	HARNESS HIGH VOLT
NI	PE970609	1	HARNESS CONTROL BOARD
NI	023112-000	1	HARNESS,ICE MAKER
NI	PE970590	1	HARNESS JUMPER LOWER (BEFORE 10/16/12)
NI	040066-000	1	HARNESS JUMPER LOWER (ON OR AFTER 10/16/12)
NI	PE970591	1	HARNESS JUMPER UPPER (BEFORE 10/16/12)
NI	040078-000	1	HARNESS, JUMPER DISP CAVITY (ON OR AFTER 10/16/12)
NI	PE970592	1	HARNESS MAIN (BEFORE 10/16/12)
NI	040085-000	1	HARNESS, MAIN (ON OR AFTER 10/16/12)
NI	048806-000	1	DISPENSER WIRE SHIELD