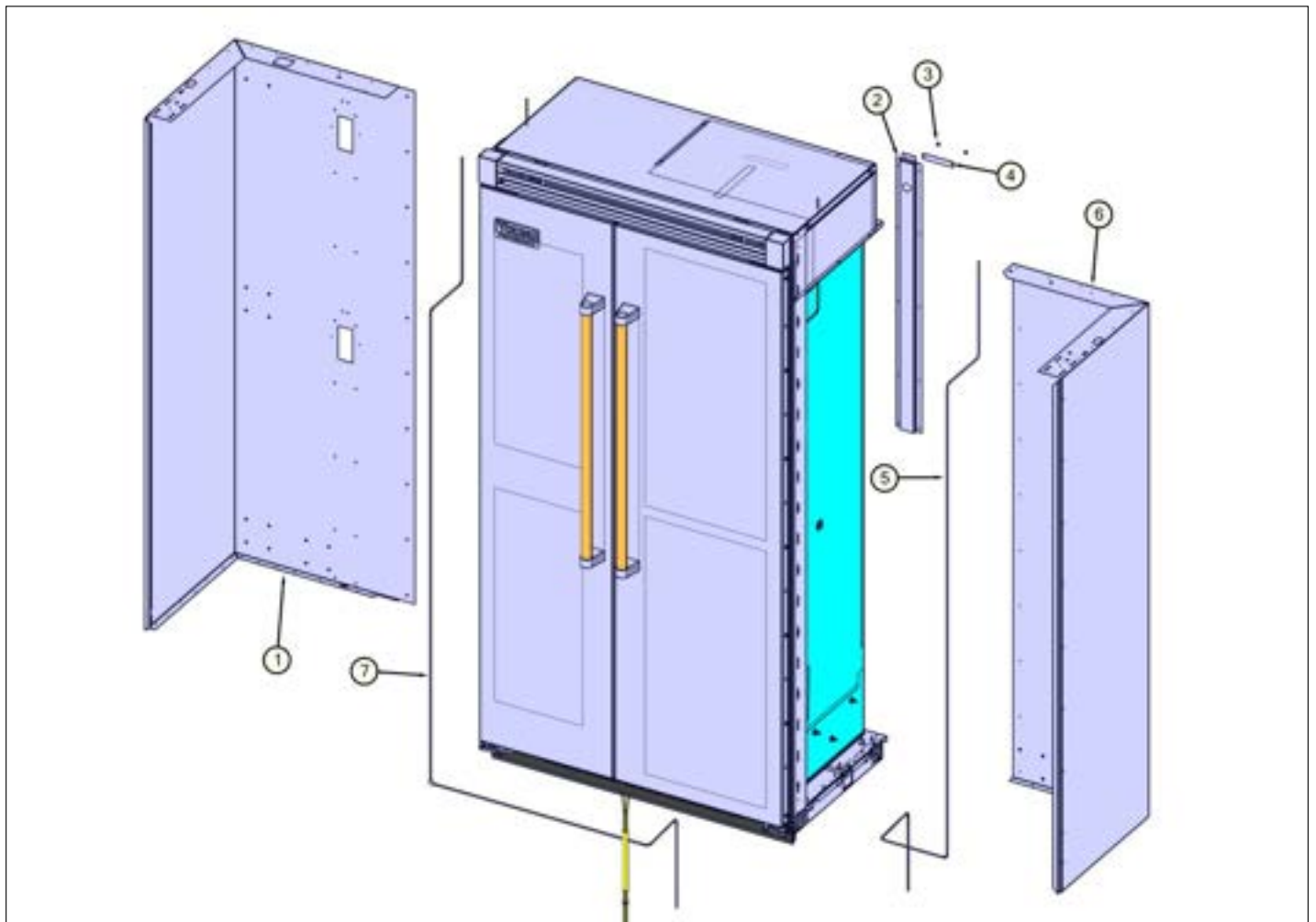


VCSB5422SS

| | |
|------------------------------|----|
| Exterior View | 1 |
| Bottom View | 2 |
| Control View | 3 |
| Decor View | 4 |
| FF Interior View | 5 |
| Front Cab View | 6 |
| Lo Side Asm View | 7 |
| FZ Interior View | 8 |
| Top View | 9 |
| FZ Door View | 10 |
| FF Door View | 11 |
| Wiring Diagram | 12 |
| Wiring View | 13 |
| Appendix A:Pages Index | A |
| Appendix B:Parts Index | B |

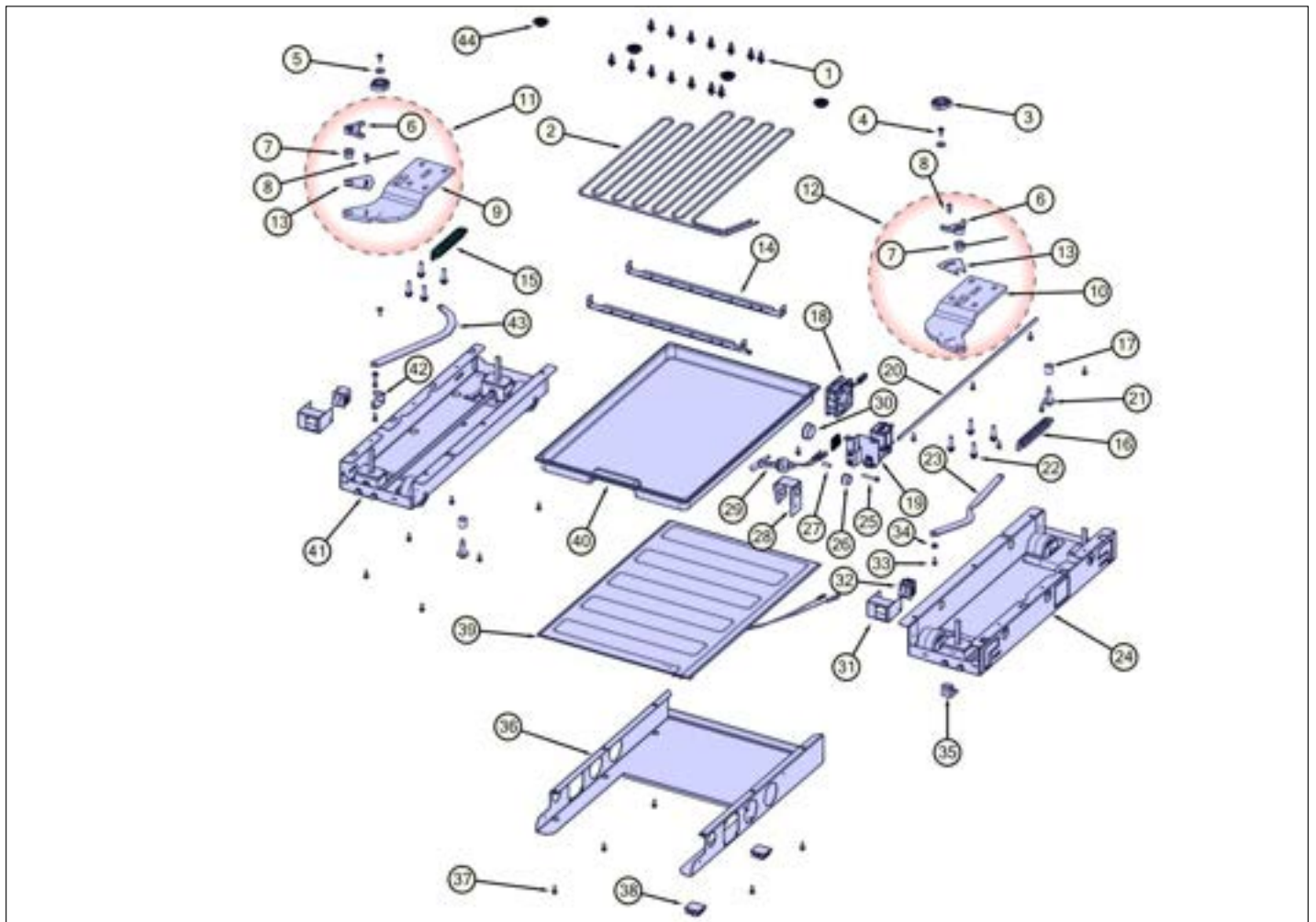
Exterior View





| Item | Part No. | Name | Qty | Uom | NOTES |
|------|------------|-------------------------|-----|-----|-------|
| 1 | K20910084 | OC WRAPPER LEFT 42 | 1 | EA | |
| 2 | K2099439 | CHANNEL WATER LINE | 1 | EA | |
| 3 | M0230028 | SCREW-TC | 2 | EA | |
| 4 | 010169-000 | IM FILL TUBE BRACKET | 1 | EA | |
| 5 | F2097794 | TUBE POST COND SXS 42 R | 1 | EA | |
| 6 | K2099465 | OC WRAPPER SXS 42 R | 1 | EA | |
| 7 | F2097795 | TUBE POST COND SXS 42 L | 1 | EA | |

Bottom View



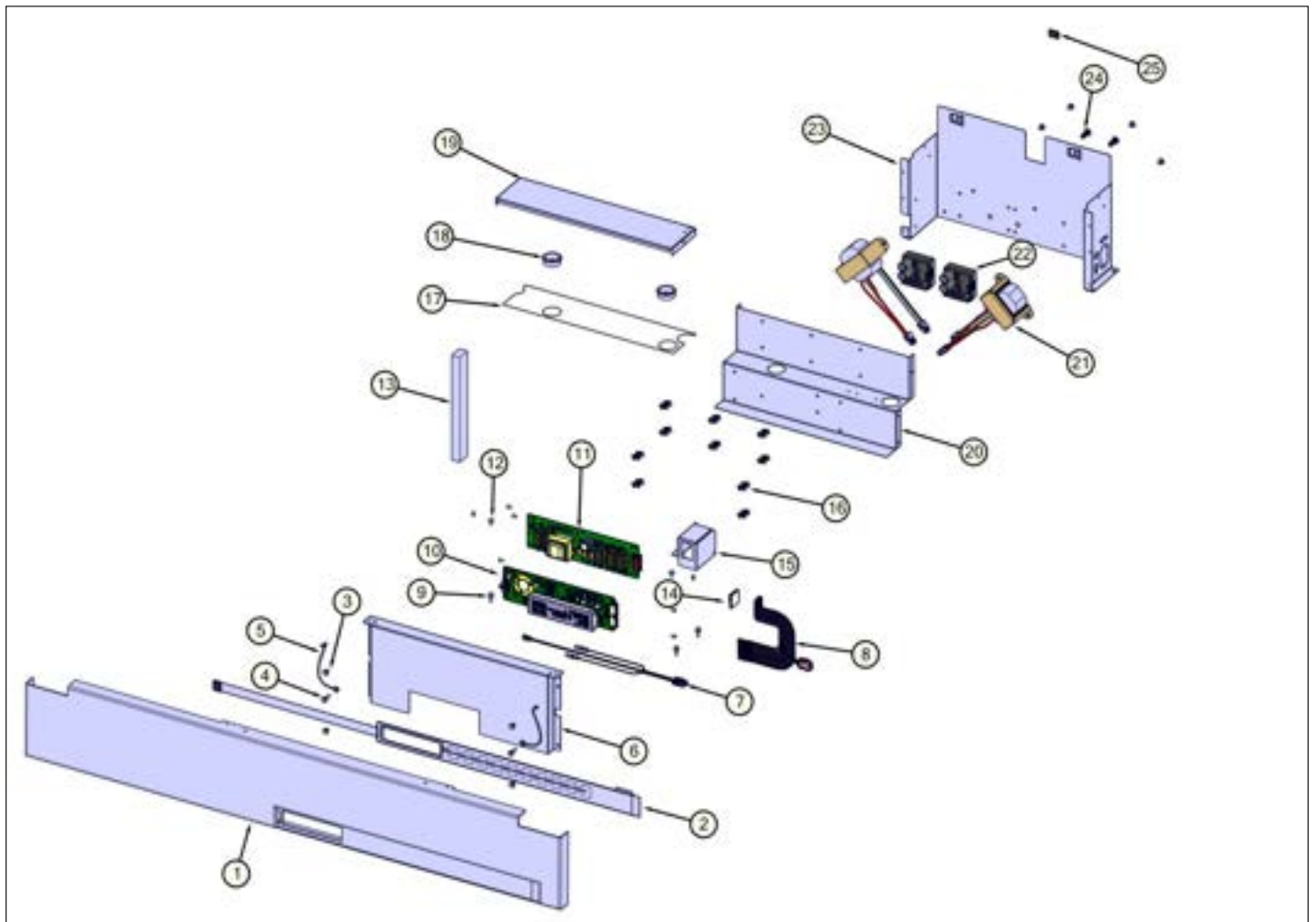


| Item | Part No. | Name | Qty | Uom | NOTES |
|------|------------|---|--------|-----|-------|
| 1 | PD030146 | STAND OFF LOCK CLIP | 14 | EA | |
| 2 | F20915693 | SERPENTINE CONDENSER DRAIN ALL SXS'S | 1 | EA | |
| 3 | 044370-000 | CAM DOOR ADJUSTMENT | 2 | EA | |
| 4 | PD020234 | SCREW THP 10-32 X .500 SS BO | 2 | EA | |
| 5 | 044377-000 | WSHR FENDER, .219 X .68 X .030 | 2 | EA | |
| 6 | 044372-000 | BUSHING, DOOR STOP | 2 | EA | |
| 7 | 044373-000 | BUSHING, DOOR LEVEL | 2 | EA | |
| 8 | 044374-000 | PIN, DOOR STOP | 2 | EA | |
| 9 | 044046-000 | HINGE PLATE, LH, LWR 30/36AFAR, 42, 48 | 1 | EA | |
| 10 | 044026-000 | HINGE PLATE, RH, LWR 30/36ARAF, 42, 48 | 1 | EA | |
| 11 | 045057-000 | HINGE ASM COMPLETE LL | 1 | EA | |
| 12 | 045684-000 | HINGE ASM COMPLETE LR | 1 | EA | |
| 13 | 044511-000 | PLATE, DOOR, SHIM | 2 | EA | |
| 14 | K20911831 | BRACKET CONDENSATE SUPPORT | 2 | EA | |
| 15 | pc910015 | SPRING EXTENSION | 1 | EA | |
| 16 | 003867-000 | SPRING EXTENSION | 1 | EA | |
| 17 | PD940107 | ROUND SPRING SPACER | 2 | EA | |
| 18 | 013112-000 | AXIAL FAN | 1 | EA | |
| 19 | G32913789 | BRKT & VALVE H2O SNGL ASM | 1 | EA | |
| 20 | 044034-000 | TUBING, ROLL, PEX 1/4" | 5.21ft | EA | |
| 21 | M0221523 | SCREW - SHLDR | 2 | EA | |
| 22 | 000570-000 | FASTENER, BOLT, 1/4-20 IHXWS 1" S ZN SER | 8 | EA | |
| 23 | 043261-000 | BAR, BOTTOM HINGE, RH, WC | 1 | EA | |
| 24 | 060890-000 | LEVELER, MODULE, R | 1 | EA | |
| 25 | PD020274 | SCR SLTD HEX WSHR HD 8X1.250 BT | 2 | EA | |
| 26 | A4554806 | BUSHING-SNAP VA4554806 | 2 | EA | |
| 27 | 011332-000 | SPACER,NYL | 2 | EA | |
| 28 | B20915627 | BRACKET HORIZ FLOAT SWITCH | 1 | EA | |



| Item | Part No. | Name | Qty | Uom | NOTES |
|------|------------|------------------------------------|-----|-----|-------|
| 29 | PE050248 | FLOAT SWITCH HORIZONTAL | 1 | EA | |
| 30 | A4554817 | BUSHING-SNAP VA4554817 | 1 | EA | |
| 31 | 044939-000 | BRACKET, LT SWITCH | 2 | EA | |
| 32 | 046063-000 | SWITCH, SPST NC GRAY | 1 | EA | |
| 33 | M0220417 | SCREW-TC | 6 | EA | |
| 34 | PD940094 | BUSHING | 2 | EA | |
| 35 | K2098044 | BRKT GRILLE SUPPORT | 1 | EA | |
| 36 | K20915952 | SHIELD BOTTOM DRAIN | 1 | EA | |
| 37 | PD020194 | SCR, HEX SRTD WSHR HD, #8-18 X 1/2 | 20 | EA | |
| 38 | M0104102 | CLIP-CORD RED | 2 | EA | |
| 39 | G50914125 | PAN HEATER ASM | 1 | EA | |
| 40 | PK930348 | PAN DRAIN | 1 | EA | |
| 41 | 060891-000 | LEVELER, MODULE, L | 1 | EA | |
| 42 | K2098096 | BRKT GRILLE SUPPORT | 1 | EA | |
| 43 | 043258-000 | BAR, BOTTOM HINGE, LH, WC | 1 | EA | |
| 44 | 10712401 | PLUG-VENT | 4 | EA | |

Control View



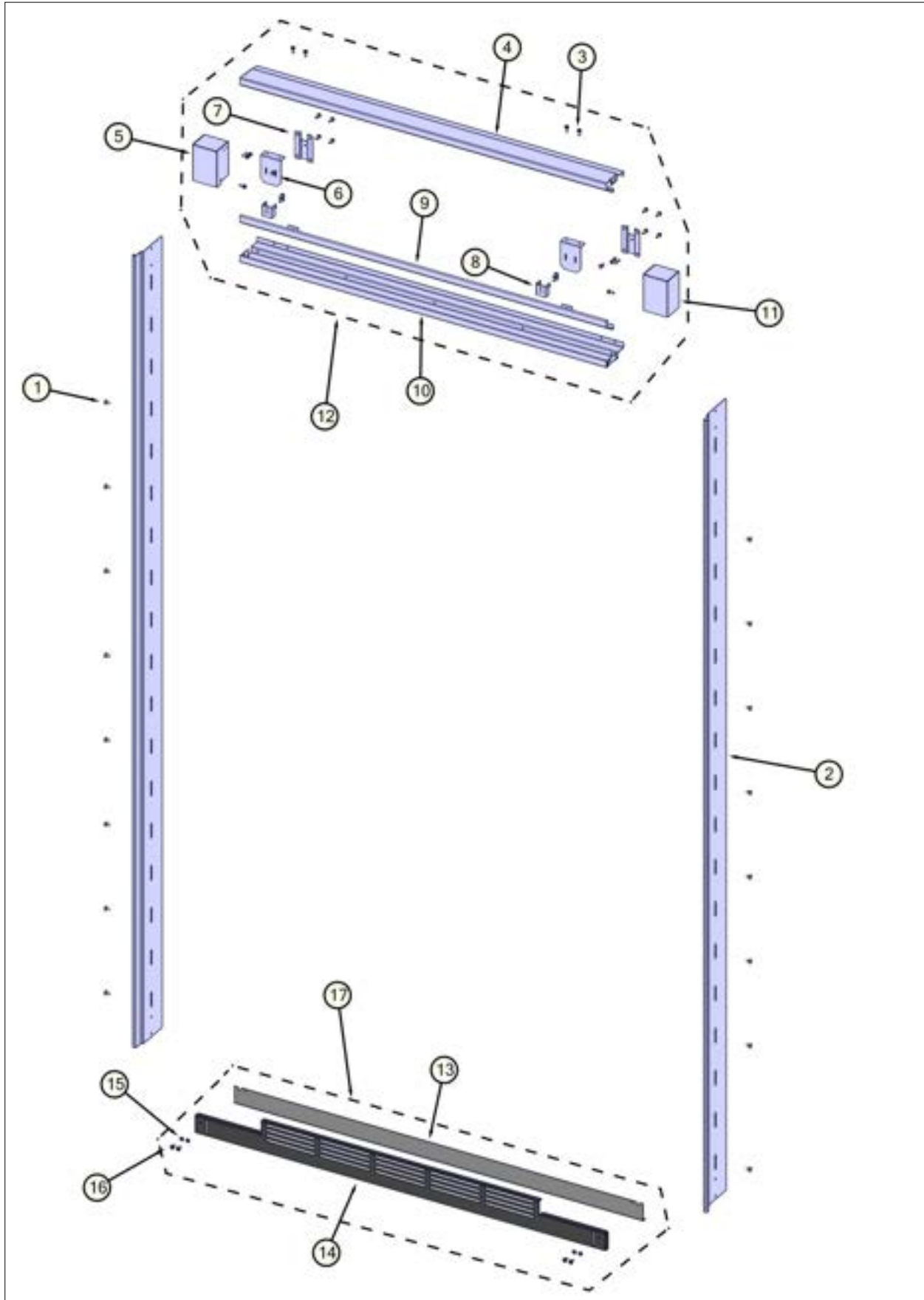


| Item | Part No. | Name | Qty | Uom | NOTES |
|--|------------|------------------------------------|-----|-----|-------|
| 1 | 016527-000 | PANEL CONTROL SXS 42 | 1 | EA | |
| 2 | 054568-000 | OVERLAY SWITCH ASM 42 SXS | 1 | EA | |
| 3 | PD020193 | SCR 8-18 X 3/8 | 9 | EA | |
| 4 | M0238859 | SCREW-SHLDR | 4 | EA | |
| 5 | 12064001 | SUPP-CONT PANEL | 2 | EA | |
| 6 | 016930-000 | MOTR CONTROL BOX FRONT | 1 | EA | |
| 7 | PE970609 | HARNESS CONTROL BOARD | 1 | EA | |
| 8 | PE970464 | HARNESS LOW VOLT | 1 | EA | |
| 9 | PD020194 | SCR, HEX SRTD WSHR HD, #8-18 X 1/2 | 6 | EA | |
| 10 | 057309-000 | BOARD, LOW VOLTAGE | 1 | EA | |
| <p>Comments for Part Num. 057309-000</p> <p>gboltz@VikingRange.com on Apr 29, 2019 SEE TTR-0010 for installation</p> | | | | | |
| 11 | 005319-000 | POWER CONTROL BOARD ASM | 1 | EA | |
| <p>Comments for Part Num. 005319-000</p> <p>boltz on Apr 12, 2018 See TR-0056-SP Bulletin</p> | | | | | |
| 12 | M0224128 | SCR 8-18 B TRP 5/16 S | 1 | EA | |
| 13 | A3030361 | GASKET RED | 1 | EA | |
| 14 | m0104106 | CLIP-CORD VM0104106 | 1 | EA | |
| 15 | 025433-000 | BRACKET,SW,POWER | 1 | EA | |
| 16 | m0585504 | SUPPORT | 10 | EA | |
| 17 | 005396-000 | FILM,PROTECTIVE | 1 | EA | |
| 18 | A4554817 | BUSHING-SNAP VA4554817 | 2 | EA | |
| 19 | K20915000 | CONTROL BOX TOP | 1 | EA | |
| 20 | 044479-000 | MOTOR BRACKET PCB | 1 | EA | |
| 21 | 046386-000 | TRANSFORMER, LED SOFT START | 2 | EA | |
| 22 | 046385-000 | CIRCUIT, LED SOFT START | 2 | EA | |
| 23 | 047016-000 | MOTOR CONTROL BOX | 1 | EA | |



| Item | Part No. | Name | Qty | Uom | NOTES |
|------|------------|-----------------------------------|-----|-----|-------|
| 24 | 049666-000 | SCREW, THREAD ROLLING PAN HEAD | 2 | EA | |
| 25 | M0288120 | NUT-SPEED VM0288120 | 1 | EA | |

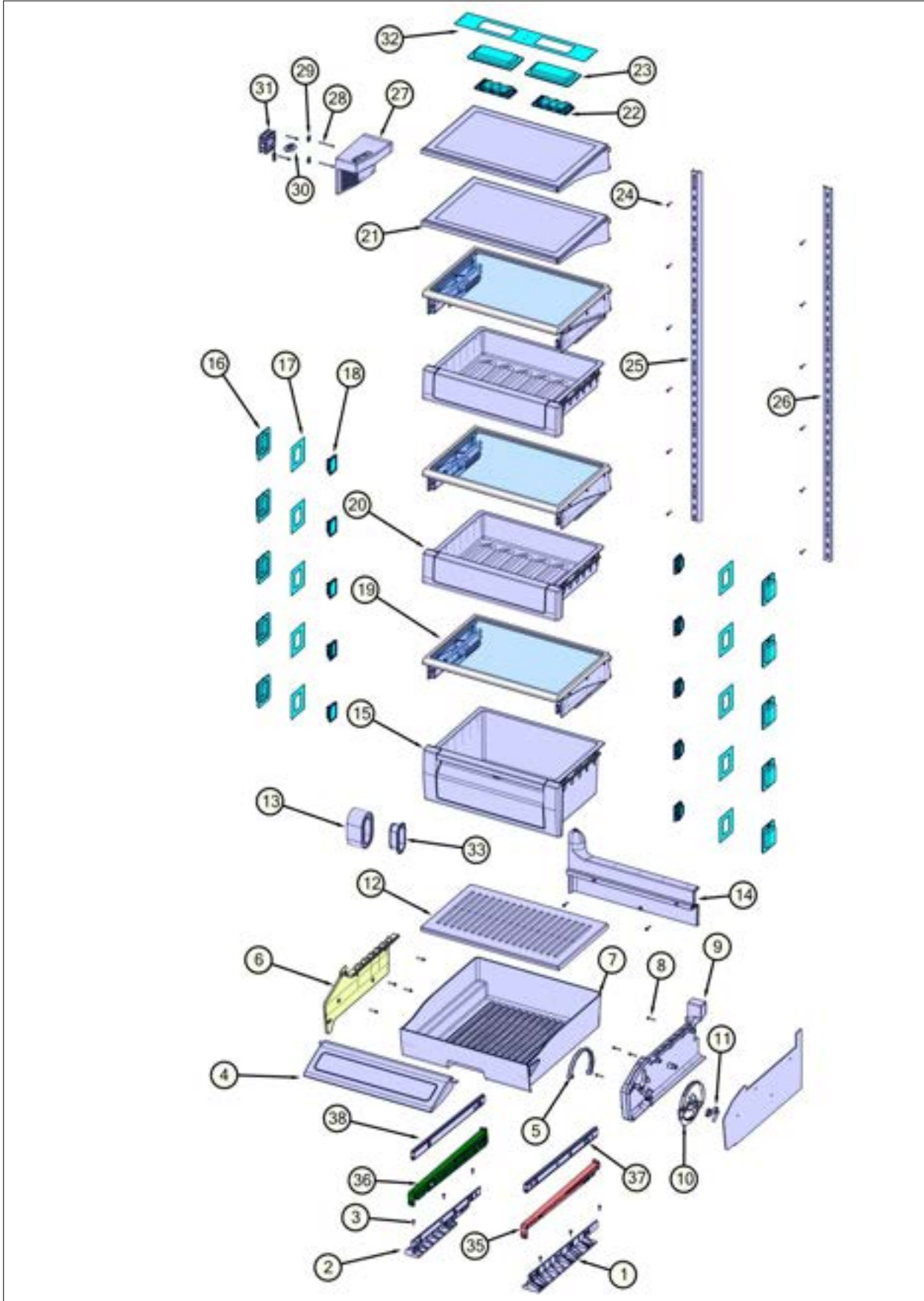
Decor View





| Item | Part No. | Name | Qty | Uom | NOTES |
|------|------------|--|-----|-----|-------|
| 1 | PD020032 | SRW-8(A)X3/8"PH.WFR HD 7/16DIA*NICL | 16 | EA | |
| 2 | PK910123 | SIDE TRIM - PRO | 2 | EA | |
| 3 | M0220417 | SCREW-TC | 22 | EA | |
| 4 | 043712-000 | GRILLE, TOP LOUVER 42 | 1 | EA | |
| 5 | 043722-000 | ENDCAP, GRILLE, L, HINGE | 1 | EA | |
| 6 | K20916342 | BRACKET GRILLE | 2 | EA | |
| 7 | PK050004 | BRACKET GRILLE 5 SERIES | 2 | EA | |
| 8 | b2096961 | BRACKET-LOUVER | 2 | EA | |
| 9 | 043715-000 | GRILLE, MIDDLE LOUVER 42 | 1 | EA | |
| 10 | 043718-000 | GRILLE, BOTTOM LOUVER 42 | 1 | EA | |
| 11 | 043721-000 | ENDCAP, GRILLE, R, HINGE | 1 | EA | |
| 12 | 044923-000 | GRILLE, ASM, 42, SXS, PRO | 1 | EA | |
| 13 | 044991-000 | SOLID, TOE, GRILLE, 42 SXS | 1 | EA | |
| 14 | 044990-000 | VENT, TOE, GRILLE, 42 SXS | 1 | EA | |
| 15 | 40370P01 | WASHER, FLAT | 4 | EA | |
| 16 | M0210443 | SCREW-E SM VM0210443 | 4 | EA | |
| 17 | 044927-000 | GRILLE, TOE, ASM, 42 SXS | 1 | EA | |

FF Interior View





| Item | Part No. | Name | Qty | Uom | NOTES |
|------|------------|--|-----|-----|-------|
| 1 | PK930173 | SUPPORT SLIDE MEAT SAVOR SXS 42/48 R | 1 | EA | |
| 2 | PK930174 | SUPPORT SLIDE MEAT SAVOR SXS 42/48 L | 1 | EA | |
| 3 | PD020195 | SCR 8-18 X 5/8 | 10 | EA | |
| 4 | 045689-000 | DOOR MEATSAVOR ASM SXS 42 | 1 | EA | |
| 5 | 044385-000 | COVER CONTROL MEATSAVER | 1 | EA | |
| 6 | PK930170 | DUCT MEAT SAVOR SXS 42 L | 1 | EA | |
| 7 | PK930114 | DRAWER MEAT SAVOR SXS 42 | 1 | EA | |
| 8 | M0211021 | SCREW-SM | 7 | EA | |
| 9 | 044232-000 | DUCT MEAT SAVOR (R) | 1 | EA | |
| 10 | 044384-000 | DIAL CONTROL MEAT SAVOR | 1 | EA | |
| 11 | PM910334 | ROLLER TENSION | 1 | EA | |
| 12 | PK930120 | SHELF MEAT SAVOR SXS 42 | 1 | EA | |
| 13 | 012043-000 | INSULATION,AIR,TUNNEL | 1 | EA | |
| 14 | PK930171 | DUCT MEAT SAVOR SXS 42 REAR | 1 | EA | |
| 15 | 012809-000 | PRODUCE DRAWER & RAIL ASM SXS 42 | 1 | EA | |
| 16 | 046358-000 | LED CUP ASSY (3) (NON- SERVICEABLE PART) | 10 | EA | |
| 17 | 044694-000 | LED SHIM, SMALL SINGLE (NON-SERVICEABLE PART) | 10 | EA | |
| 18 | 042764-000 | LED LIGHT, 3-POINT | 10 | EA | |
| 19 | 045688-000 | SHELF & SLIDE ASM SXS 42 | 2 | EA | |
| 20 | G32910068 | DRAWER DELI & RAIL ASM SXS 42 | 2 | EA | |
| 21 | 042676-000 | SHELF, GL, 42" NANO SHELF ASSY | 2 | EA | |
| 22 | 042766-000 | LED LIGHT, 8-POINT | 2 | EA | |
| 23 | 046357-000 | LED CUP ASSY (8) | 2 | EA | |
| 24 | 013397-000 | 1" PAINTED LADDER SCREW | 12 | EA | |
| 25 | PK020080 | LADDER FF L SXS 42/48 | 1 | EA | |
| 26 | PK920024 | LADDER FF R | 1 | EA | |
| 27 | 045686-000 | HOUSING, PCI, ASM, SXS | 1 | EA | |
| 28 | M0221913 | SCREW-SM | 4 | EA | |

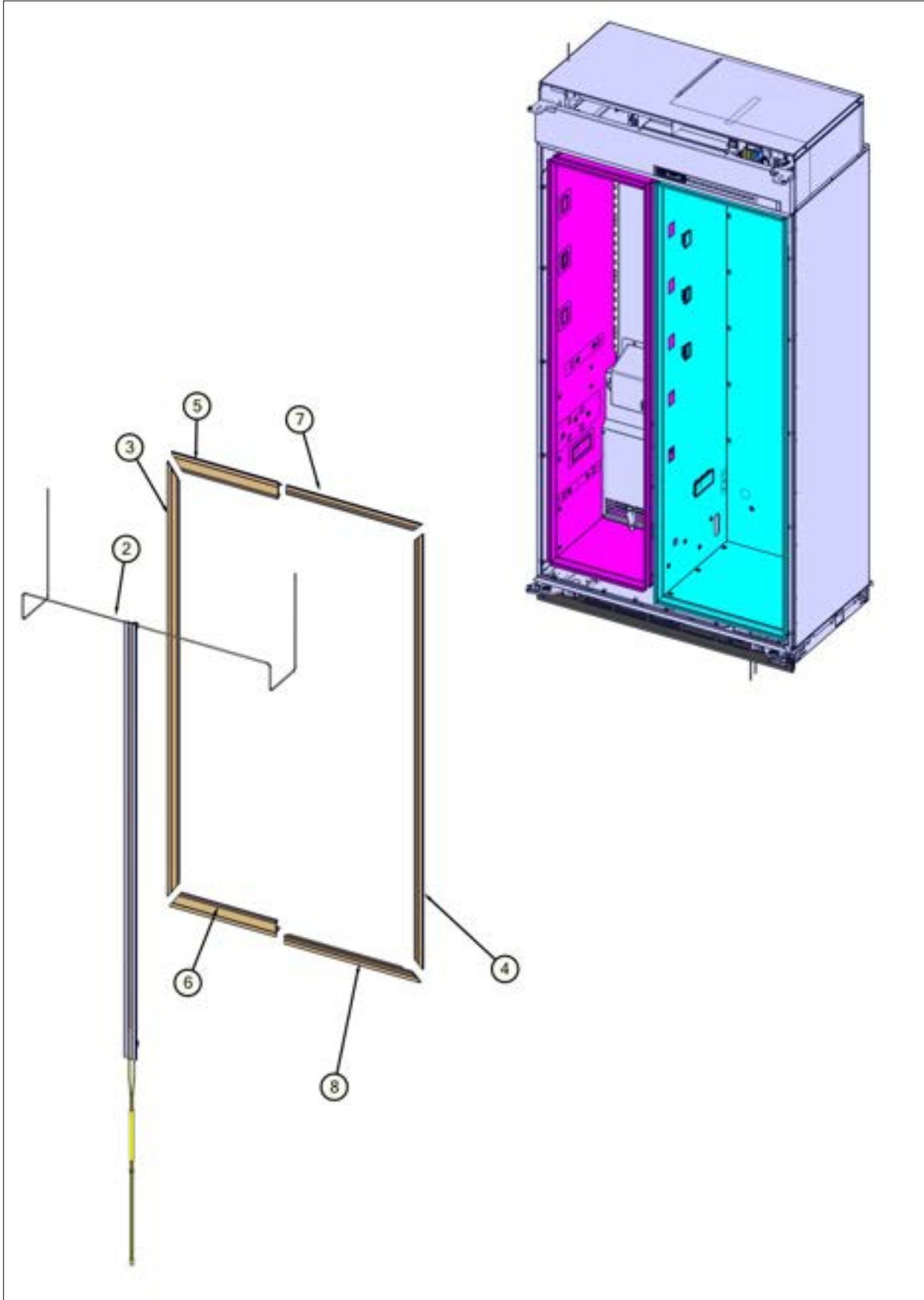


| Item | Part No. | Name | Qty | Uom | NOTES |
|------|------------|--|-----|-----|-------|
| 29 | M0288120 | NUT-SPEED VM0288120 | 2 | EA | |
| 30 | C8983701 | THERMISTOR | 1 | EA | |
| 31 | 013112-000 | AXIAL FAN | 1 | EA | |
| 32 | 045061-000 | SHIM, LED 42 FF | 1 | EA | |
| 33 | 10178001 | TUNNEL-AIR SUPPLY | 1 | EA | |
| 34 | 10178101 | TUNNEL-AIR SUPPLY | 1 | EA | |
| 35 | PK930175 | SUPPORT DRAWER MEAT SAVOR SXS 42/48 R | 1 | EA | |
| 36 | PK930176 | SUPPORT DRAWER MEAT SAVOR 42/48 L | 1 | EA | |
| 37 | PM910287 | SLIDE MEAT SAVOR R | 1 | EA | |
| 38 | PM910288 | SLIDE MEAT SAVOR L | 1 | EA | |

Comments for Part Num. PM910288

profixappliances@gmail.com on May 3, 2017
ITEM # 5 SHOULD BE PK930288-DOOR MEATSAVOR ASM AR/BM 36

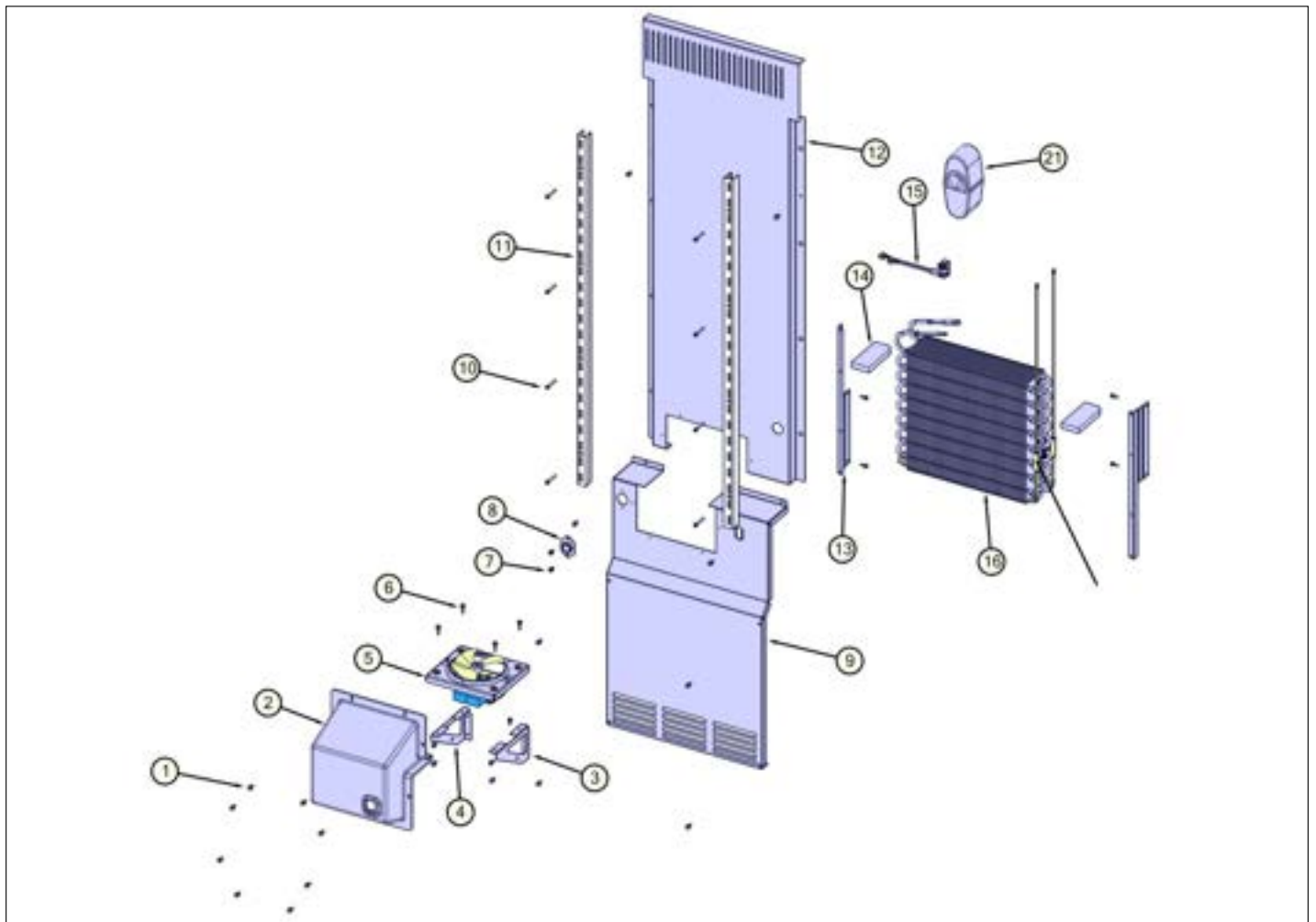
Front Cab View





| Item | Part No. | Name | Qty | Uom | NOTES |
|------|-----------|--|-----|-----|-------|
| 2 | G32915072 | BRKR HTR ASM 42/42D | 1 | EA | |
| 3 | PK030526 | EXTR BRKR 42 FZ L VID# 200760526-17 | 1 | EA | |
| 4 | PK030516 | EXTR BRKR 42/42D FF R, WC L/R VID# 268870516-17 | 1 | EA | |
| 5 | PK030501 | EXTR BRKR 42/42D FZ T VID# 268770501-17 | 1 | EA | |
| 6 | PK030502 | EXTR BRKR 42 FZ B VID# 268770502-17 | 1 | EA | |
| 7 | PK030514 | EXTR BRKR 42/42D FF T VID# 268870514-17 | 1 | EA | |
| 8 | PK030515 | EXTR BRKR 42/42D FF B VID# 268870515-17 | 1 | EA | |

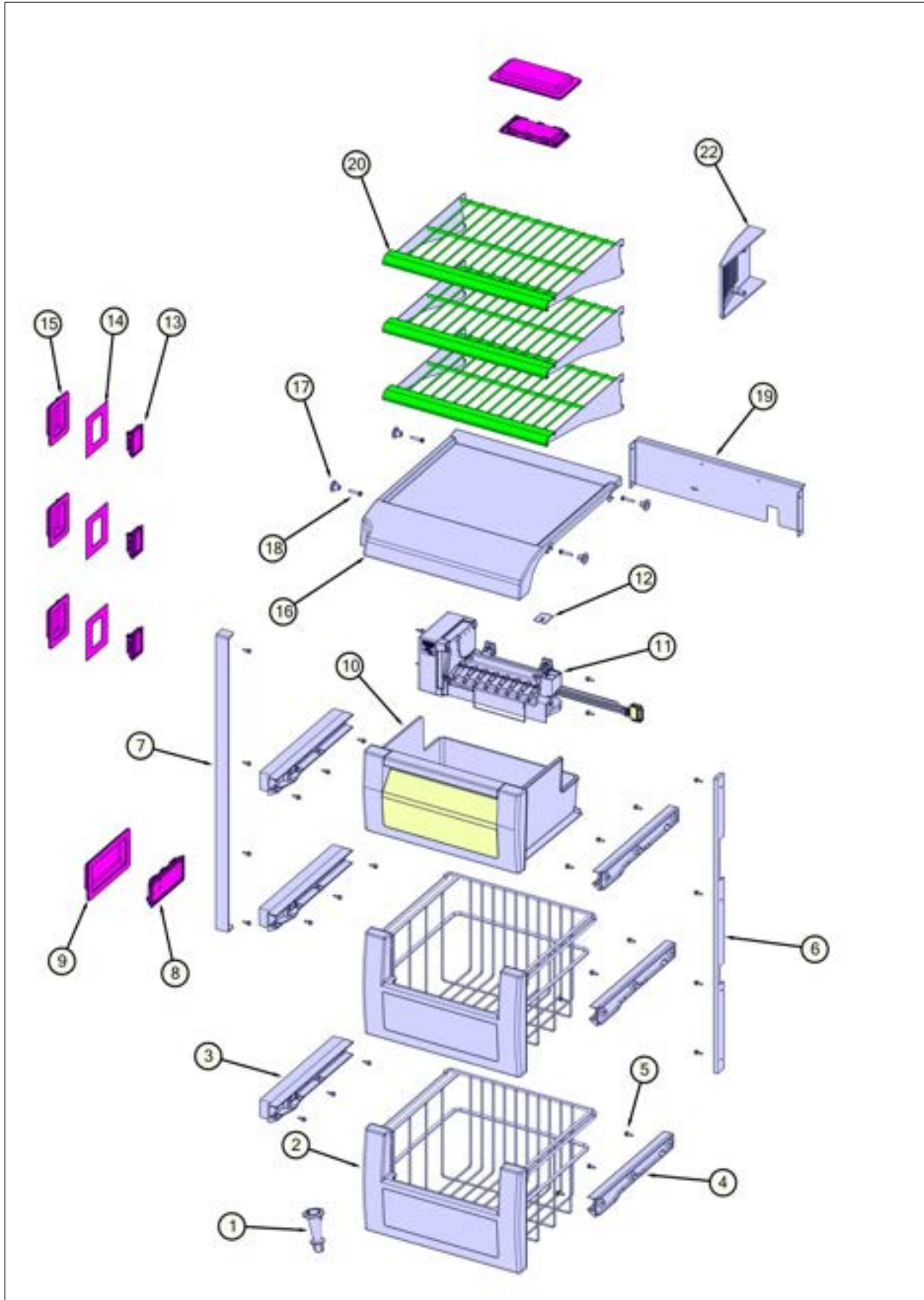
Lo Side Asm View





| Item | Part No. | Name | Qty | Uom | NOTES |
|------|------------|---|-----|-----|-------|
| 1 | PD020194 | SCR, HEX SRTD WSHR HD, #8-18 X 1/2 | 26 | EA | |
| 2 | PK930150 | COVER CTR EVAP SXS | 1 | EA | |
| 3 | K2096457 | BRKT-R-EVAP FAN 12223101 | 1 | EA | |
| 4 | K2096458 | BRKT-L-EVAP-FAN 12223102 | 1 | EA | |
| 5 | G5098660 | FAN EVAP ASM PANASONIC | 1 | EA | |
| 6 | M0238859 | SCREW-SHLDR | 4 | EA | |
| 7 | M0253916 | SCR 8-32 SHXW 3/8 TRI-LOBE | 2 | EA | |
| 8 | C8983701 | THERMISTOR | 1 | EA | |
| 9 | L2097182 | COVER EVAP LOWER SXS 48 | 1 | EA | |
| 10 | M0238535 | SCREW-SM | 8 | EA | |
| 11 | 071772-006 | LADDER, FZ, L/R SIDE, 42/48 | 2 | EA | |
| 12 | L2097181 | COVER EVAP UPPER SXS 48 | 1 | EA | |
| 13 | K2096461 | BRKT-EVAP COVER 12234801 | 2 | EA | |
| 14 | 10629001 | BLOCK-R AIR COIL RED | 2 | EA | |
| 15 | 058966-000 | THERMOSTAT, SNAP ACTION, 55 OPEN 20 CLOSE | 1 | EA | |
| 16 | G50910020 | EVAP ASM SXS | 1 | EA | |
| 17 | PM910194 | BLOCK FILL TUBE | 1 | EA | |
| 18 | PJ910031 | HEATER EVAP SXS | 1 | EA | |

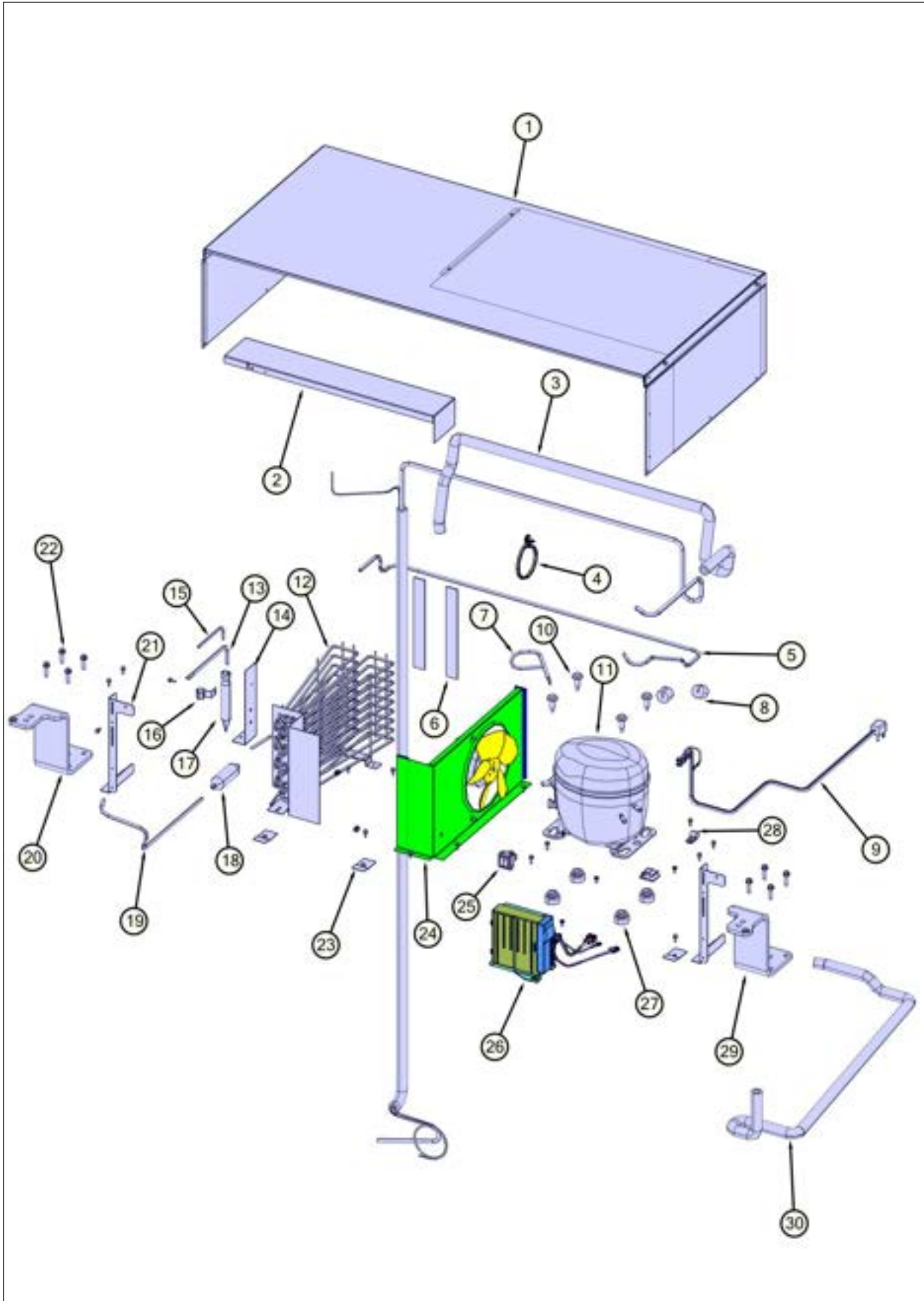
FZ Interior View





| Item | Part No. | Name | Qty | Uom | NOTES |
|------|------------|---|-----|-----|-------|
| 1 | PK030540 | DRAIN TUBE SXS's & 36BM | 1 | EA | |
| 2 | PM910190 | BASKET ASM FZ | 2 | EA | |
| 3 | PK930075 | GLIDE SXS 48 FZ L | 3 | EA | |
| 4 | PK930074 | GLIDE SXS 48 FZ R | 3 | EA | |
| 5 | PD020194 | SCR, HEX SRTD WSHR HD, #8-18 X 1/2 | 20 | EA | |
| 6 | 12304301 | CLOSEOUT-FZ SIDE # | 1 | EA | |
| 7 | PK930073 | CLOSEOUT SIDE SXS 48 FZ L | 1 | EA | |
| 8 | 042766-000 | LED LIGHT, 8-POINT | 2 | EA | |
| 9 | 046357-000 | LED CUP ASSY (8) | 2 | EA | |
| 10 | PK930076 | ICE PAN ASM SXS 48 | 1 | EA | |
| 11 | G50911851 | IM ASM, SXS & AF | 1 | EA | |
| 12 | K2096464 | BKT-ND IM 12265501 | 1 | EA | |
| 13 | 042764-000 | LED LIGHT, 3-POINT | 5 | EA | |
| 14 | 044694-000 | LED SHIM, SMALL SINGLE (NON-SERVICEABLE PART) | 5 | EA | |
| 15 | 046358-000 | LED CUP ASSY (3) (NON-SERVICEABLE PART) | 5 | EA | |
| 16 | PK930079 | SHELF COVER SXS 48 FZ | 1 | EA | |
| 17 | 12258501 | SUPPORT-SHELF | 4 | EA | |
| 18 | M0211021 | SCREW-SM | 7 | EA | |
| 19 | C9097183WH | SUPPORT IM ND SXS 48 WH | 1 | EA | |
| 20 | PM910411 | SHELF WIRE 42/48 | 3 | EA | |
| 22 | PK930086 | COVER FAN SXS 48 FZ | 1 | EA | |
| NI | 060568-000 | FILL TUBE | 1 | EA | |

Top View



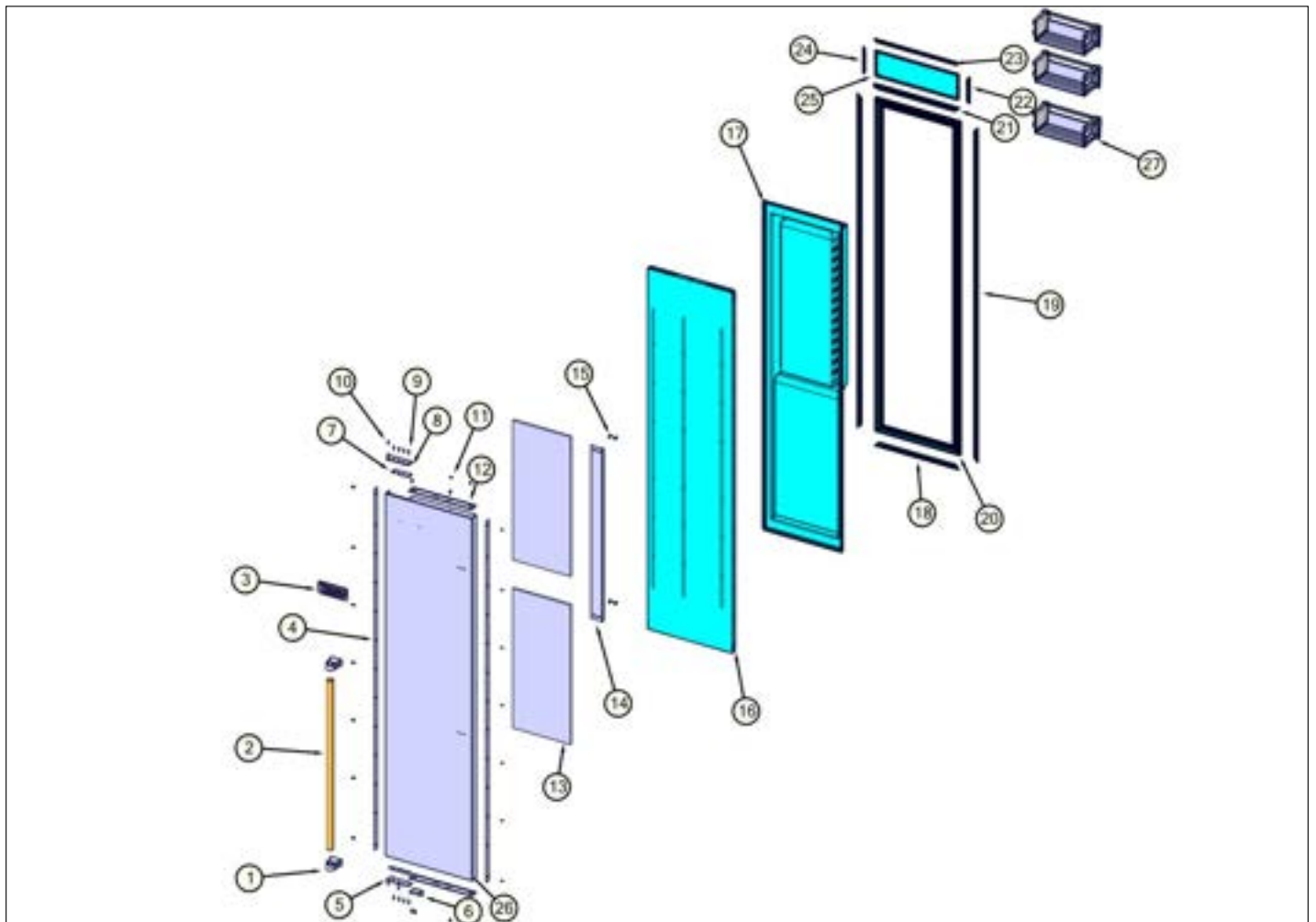


| Item | Part No. | Name | Qty | Uom | NOTES |
|---|------------|---|-----|-----|-------|
| 1 | 007980-000 | MC COVER ASM 42 | 1 | EA | |
| 2 | 014519-000 | DIVERTER AIR HI SIDE SXS | 1 | EA | |
| 3 | PB970188 | INSULATION TUBING 45.000 | 2 | EA | |
| 4 | M0322202 | TIE-WIRE | 6 | EA | |
| 5 | F2099443 | TUBE DISCHARGE FORMED PRE ACCUM | 1 | EA | |
| 6 | a3189370 | GASKET-FOAM VA3189370 | 2 | EA | |
| 7 | f2096507 | TUBE-PROCESS GRN | 1 | EA | |
| 8 | 10699601 | DAMPER-TUBING .8 | 2 | EA | |
| 9 | 059105-000 | CORD, PWR, BM, LEAD TERMINALS | 1 | EA | |
| 10 | M0221523 | SCREW - SHLDR | 4 | EA | |
| 11 | PM010619 | COMPRESSOR VCC | 1 | EA | |
| <p>Comments for Part Num. PM010619</p> <p>profixappliances@gmail.com on Apr 21, 2020 SUB TO 062775-000 COMPRESSOR KIT</p> | | | | | |
| 12 | 068353-000 | CONDENSER ASM W/COPPER ENDS | 1 | EA | |
| 13 | f2097740 | TUBE PROCESS | 1 | EA | |
| 14 | K2099454 | BRACKET DRIER | 1 | EA | |
| 15 | F2096504 | TUBE-DRIER EXT | 1 | EA | |
| 16 | 10547001 | CLIP-DRIER V10547001 | 1 | EA | |
| 17 | PM010616 | DRIER - HIGH SIDE | 1 | EA | |
| 18 | PB920201 | ACCUMULATOR | 1 | EA | |
| 19 | F2099444 | TUBE DISCHARGE FORMED POST ACCUM | 1 | EA | |
| 20 | 044358-000 | UPPER HINGE ASM, LH | 1 | EA | |
| 21 | 014190-000 | BRACKET, GRILLE SUPPORT | 2 | EA | |
| 22 | 000570-000 | FASTENER, BOLT, 1/4-20 IHXWS 1" S ZN SER | 8 | EA | |
| 23 | K2096943 | PANEL BRACKET | 3 | EA | |
| 24 | g5096494 | COND. FAN ASSY | 1 | EA | |
| 25 | PE950149 | SWITCH POWER | 1 | EA | |
| 26 | 011666-000 | INVERTER, CMPR, ASM | 1 | EA | |



| Item | Part No. | Name | Qty | Uom | NOTES |
|---------------------------------------|------------|--|-----|-----|-------|
| Comments for Part Num. 011666-000 | | | | | |
| gboltz@VikingRange.com on Aug 9, 2018 | | | | | |
| See 2018-01P Parts Bulletin | | | | | |
| 27 | 10835901 | GROMMET RUBBER V10835901 | 4 | EA | |
| 28 | pd030118 | INSULATED CLAMP | 1 | EA | |
| 29 | 044359-000 | UPPER HINGE ASM, RH | 1 | EA | |
| 30 | PB970187 | INSULATION TUBING 57.500 WC, 5 SERIES | 1 | EA | |

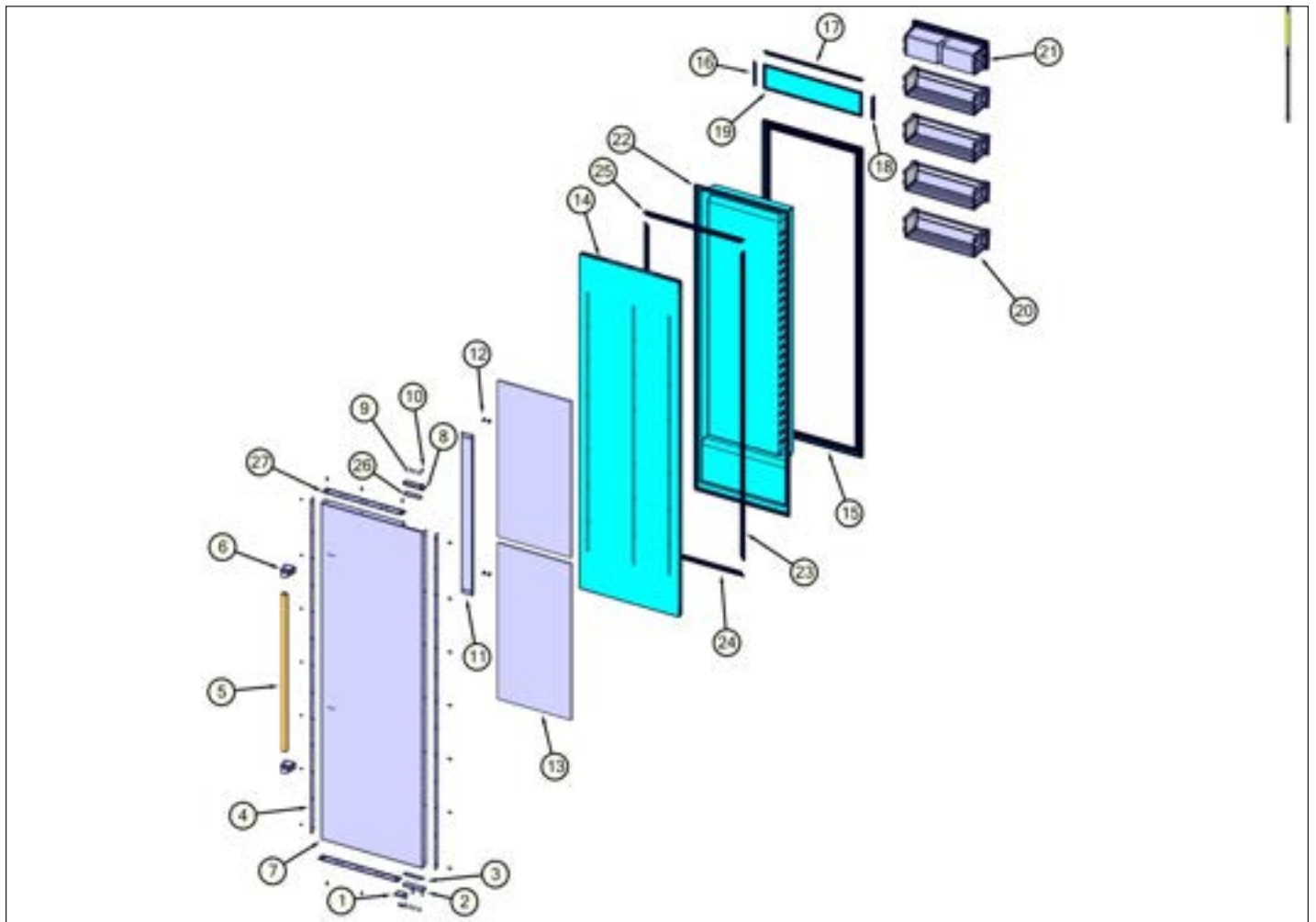
FZ Door View





| Item | Part No. | Name | Qty | Uom | NOTES |
|------|------------|--|-----|-----|-------|
| 1 | 026965-000 | END CAP, ASM, DOOR HANDLE | 2 | EA | |
| 2 | 030894-000 | HANDLE, DOOR 36" BRIGADE | 1 | EA | |
| 3 | PE010030 | LOGO 6" (VGRC) *BK* | 1 | EA | |
| 4 | 014581-000 | SPACER,TRIM,SXS,AF,AR | 2 | EA | |
| 5 | 044344-000 | PIVOT PL ASM LH LW PRO/DES | 1 | EA | |
| 6 | 044314-000 | STRIKER, DOOR SWITCH | 1 | EA | |
| 7 | 031391-000 | SPACER, 4 HOLE | 1 | EA | |
| 8 | 044360-000 | UPPER PIVOT PLATE ASM, LH, SXS, AF/AR | 1 | EA | |
| 9 | PD920174 | 10X7/8 PHILLIPS SMA TRI LOBE SA | 8 | EA | |
| 10 | PD020234 | SCREW THP 10-32 X .500 SS BO | 1 | EA | |
| 11 | PD030006 | PALNUT, CAPPED, WASHER | 2 | EA | |
| 12 | 056647-000 | TRIM, FRZ, TOP/BTM, 42 | 2 | EA | |
| 13 | 000656-000 | BLOCK,EPS REF DOOR 42/48 SXS FZ DES | 2 | EA | |
| 14 | 042374-000 | BRACKET, HANDLE SUPPORT | 1 | EA | |
| 15 | 035647-000 | BOLT, FASTENER, HXH, SST | 4 | EA | |
| 16 | G3098622 | PAN WELD ASM SXS 42 FZ | 1 | EA | |
| 17 | PK930129 | LINER DOOR SXS 42 FZ | 1 | EA | |
| 18 | 004923-000 | RETAINER,GSKT,LWR,SXS 42 FZ VID# 202724923-17 | 1 | EA | |
| 19 | 002791-000 | RETAINER,GSKT,SIDE VID# 202722791-17 | 2 | EA | |
| 20 | 005452-000 | GASKET,ASM,42,SXS,FZ VID# 602711817-17 | 1 | EA | |
| 21 | 004924-000 | RETAINER,GSKT,MDL,TOP,SXS 42 FZ VID# 202734924-17 | 1 | EA | |
| 22 | 002878-000 | EXTENSION,DOOR,TOP,LH,EX TRSN VID# 234832878-17 | 1 | EA | |
| 23 | PK030564 | EXTR DR GASKET 42 FZ TOP VID# 234830564-17 | 1 | EA | |
| 24 | 002862-000 | EXTENSION,DOOR,TOP,RH,EX TRSN VID# 234832862-17 | 1 | EA | |
| 25 | PK930127 | LINER - EXTENSION 42" | 1 | EA | |
| 26 | 043954-000 | SKIN, DOOR, SXS 42 PRO FZ SS | 1 | EA | |
| 27 | 036888-000 | DOORBIN ASM SXS FZ | 3 | EA | |

FF Door View



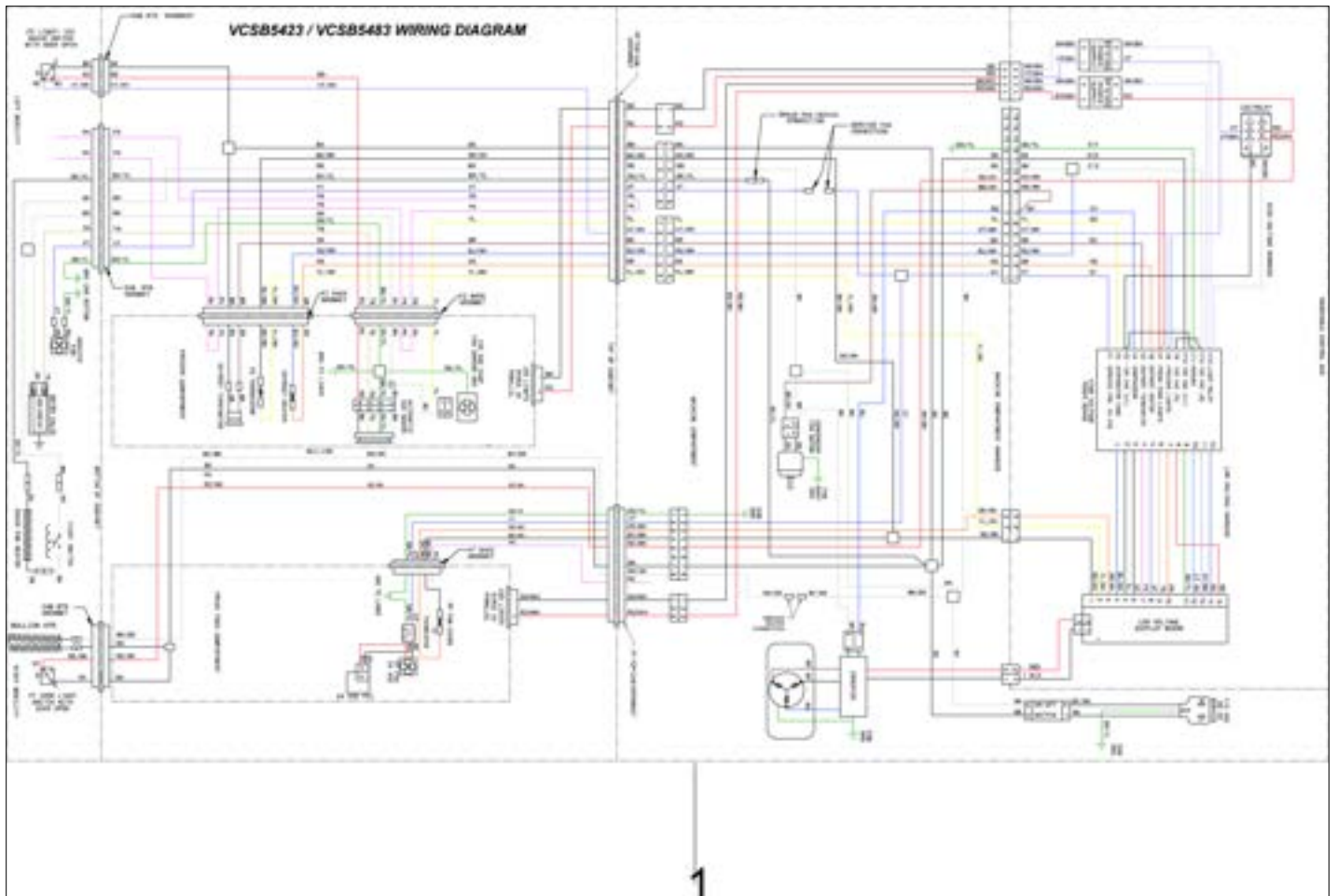


| Item | Part No. | Name | Qty | Uom | NOTES |
|------|------------|--|-----|-----|-------|
| 1 | 044314-000 | STRIKER, DOOR SWITCH | 1 | EA | |
| 2 | 044063-000 | PIVOT PL ASM RH LW PRO/DES | 1 | EA | |
| 3 | PD040162 | SPACER-DOOR HINGE | 2 | EA | |
| 4 | 014581-000 | SPACER,TRIM,SXS,AF,AR | 2 | EA | |
| 5 | 030894-000 | HANDLE, DOOR 36" BRIGADE | 1 | EA | |
| 6 | 026965-000 | END CAP, ASM, DOOR HANDLE | 2 | EA | |
| 7 | 043955-000 | SKIN, DOOR, SXS 42 PRO FF SS | 1 | EA | |
| 8 | 044361-000 | UPPER PIVOT PLATE ASM, RH, SXS, AF/AR | 1 | EA | |
| 9 | PD920174 | 10X7/8 PHILLIPS SMA TRI LOBE SA | 8 | EA | |
| 10 | PD020234 | SCREW THP 10-32 X .500 SS BO | 1 | EA | |
| 11 | 042374-000 | BRACKET, HANDLE SUPPORT | 1 | EA | |
| 12 | 035647-000 | BOLT, FASTENER, HXH, SST | 8 | EA | |
| 13 | 000650-000 | BLOCK,EPS REF DOOR 42 SXS FF DES | 2 | EA | |
| 14 | G3098621 | PAN WELD ASM SXS 42 FF | 1 | EA | |
| 15 | 005451-000 | GASKET,ASM,42,SXS,FF VID# 602711807-17 | 1 | EA | |
| 16 | 002862-000 | EXTENSION,DOOR,TOP,RH,EX TRSN VID# 234832862-17 | 1 | EA | |
| 17 | PK030563 | EXTR DR GASKET 42 FF TOP VID# 243830563-17 | 1 | EA | |
| 18 | 002878-000 | EXTENSION,DOOR,TOP,LH,EX TRSN VID# 234832878-17 | 1 | EA | |
| 19 | PK930126 | LINER - EXTENSION | 1 | EA | |
| 20 | 036890-000 | DOORBIN ASM SXS 42 FF | 4 | EA | |
| 21 | PK930123 | DAIRY MODULE ASM SXS 42 | 1 | EA | |
| 22 | PK930128 | LINER DOOR SXS 42 FF | 1 | EA | |
| 23 | 002791-000 | RETAINER,GSKT,SIDE VID# 202722791-17 | 2 | EA | |
| 24 | 004921-000 | RETAINER,GSKT,LWR,SXS, 42 FF VDI# 202724921-17 | 1 | EA | |
| 25 | 004922-000 | RETAINER,GSKT,MDL,TOP,SXS 42 FF VID# 202734922-17 | 1 | EA | |
| 26 | 001617-000 | SPACER,NYL,PIVOT PLATE | 1 | EA | |



| Item | Part No. | Name | Qty | Uom | NOTES |
|------|------------|-----------------------|-----|-----|-------|
| 27 | 056838-000 | TRIM, FF, TOP/BTM, 42 | 2 | EA | |

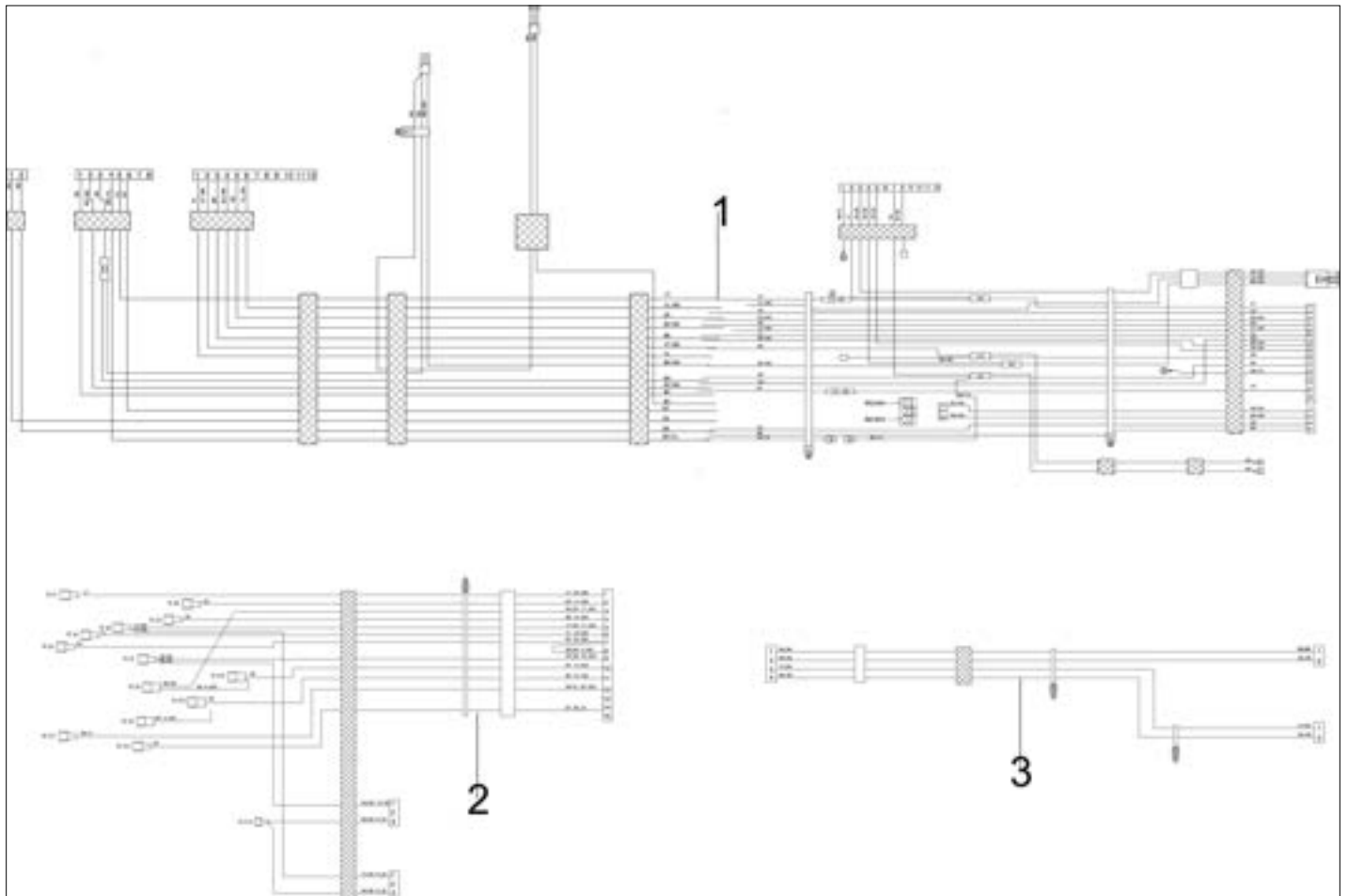
Wiring Diagram





| Item | Part No. | Name | Qty | Uom | NOTES |
|------|------------|--------------------------|-----|-----|-------|
| 1 | 045930-000 | DIAGRAM WIRING 42/48 SXS | 1 | EA | |

Wiring View





| Item | Part No. | Name | Qty | Uom | NOTES |
|------|------------|---------------------------------------|-----|-----|-------|
| NI | 043380-000 | HARNESS, FZ, CABINET | 1 | EA | |
| 1 | 043371-000 | HARNESS, MC | 1 | EA | |
| 2 | 048643-000 | HARNESS, HIGH VOLTAGE | 1 | EA | |
| 3 | 048680-000 | HARNESS, POWER SUPPLY, LED, BM/SXS | 1 | EA | |



Appendix A:Pages Index

Bottom View 2
Control View 3
Decor View 4
Exterior View 1
FF Door View 11
FF Interior View 5
FZ Door View 10
FZ Interior View 8
Front Cab View 6
Lo Side Asm View 7
Top View 9
Wiring Diagram 12
Wiring View 13



Appendix B:Parts Index

| | | | |
|------------|--------|------------|--------|
| 000570-000 | 2, 9 | 043258-000 | 2 |
| 000650-000 | 11 | 043261-000 | 2 |
| 000656-000 | 10 | 043371-000 | 13 |
| 001617-000 | 11 | 043380-000 | 13 |
| 002791-000 | 10, 11 | 043712-000 | 4 |
| 002862-000 | 10, 11 | 043715-000 | 4 |
| 002878-000 | 10, 11 | 043718-000 | 4 |
| 003867-000 | 2 | 043721-000 | 4 |
| 004921-000 | 11 | 043722-000 | 4 |
| 004922-000 | 11 | 043954-000 | 10 |
| 004923-000 | 10 | 043955-000 | 11 |
| 004924-000 | 10 | 044026-000 | 2 |
| 005319-000 | 3 | 044034-000 | 2 |
| 005396-000 | 3 | 044046-000 | 2 |
| 005451-000 | 11 | 044063-000 | 11 |
| 005452-000 | 10 | 044232-000 | 5 |
| 007980-000 | 9 | 044314-000 | 10, 11 |
| 010169-000 | 1 | 044344-000 | 10 |
| 011332-000 | 2 | 044358-000 | 9 |
| 011666-000 | 9 | 044359-000 | 9 |
| 012043-000 | 5 | 044360-000 | 10 |
| 012809-000 | 5 | 044361-000 | 11 |
| 013112-000 | 2, 5 | 044370-000 | 2 |
| 013397-000 | 5 | 044372-000 | 2 |
| 014190-000 | 9 | 044373-000 | 2 |
| 014519-000 | 9 | 044374-000 | 2 |
| 014581-000 | 10, 11 | 044377-000 | 2 |
| 016527-000 | 3 | 044384-000 | 5 |
| 016930-000 | 3 | 044385-000 | 5 |
| 025433-000 | 3 | 044479-000 | 3 |
| 026965-000 | 10, 11 | 044511-000 | 2 |
| 030894-000 | 10, 11 | 044694-000 | 5, 8 |
| 031391-000 | 10 | 044923-000 | 4 |
| 035647-000 | 10, 11 | 044927-000 | 4 |
| 036888-000 | 10 | 044939-000 | 2 |
| 036890-000 | 11 | 044990-000 | 4 |
| 042374-000 | 10, 11 | 044991-000 | 4 |
| 042676-000 | 5 | 045057-000 | 2 |
| 042764-000 | 5, 8 | 045061-000 | 5 |
| 042766-000 | 5, 8 | 045684-000 | 2 |
| | | 045686-000 | 5 |



| | | | |
|------------|------|-----------|------|
| 045688-000 | 5 | F2096504 | 9 |
| 045689-000 | 5 | F2097794 | 1 |
| 045930-000 | 12 | F2097795 | 1 |
| 046063-000 | 2 | F2099443 | 9 |
| 046357-000 | 5, 8 | F2099444 | 9 |
| 046358-000 | 5, 8 | G3098621 | 11 |
| 046385-000 | 3 | G3098622 | 10 |
| 046386-000 | 3 | G32910068 | 5 |
| 047016-000 | 3 | G32913789 | 2 |
| 048643-000 | 13 | G32915072 | 6 |
| 048680-000 | 13 | G50910020 | 7 |
| 049666-000 | 3 | G50911851 | 8 |
| 054568-000 | 3 | G50914125 | 2 |
| 056647-000 | 10 | G5098660 | 7 |
| 056838-000 | 11 | K20910084 | 1 |
| 057309-000 | 3 | K20911831 | 2 |
| 058966-000 | 7 | K20915000 | 3 |
| 059105-000 | 9 | K20915952 | 2 |
| 060568-000 | 8 | K20916342 | 4 |
| 060890-000 | 2 | K2096457 | 7 |
| 060891-000 | 2 | K2096458 | 7 |
| 068353-000 | 9 | K2096461 | 7 |
| 071772-006 | 7 | K2096464 | 8 |
| 10178001 | 5 | K2096943 | 9 |
| 10178101 | 5 | K2098044 | 2 |
| 10547001 | 9 | K2098096 | 2 |
| 10629001 | 7 | K2099439 | 1 |
| 10699601 | 9 | K2099454 | 9 |
| 10712401 | 2 | K2099465 | 1 |
| 10835901 | 9 | L2097181 | 7 |
| 12064001 | 3 | L2097182 | 7 |
| 12258501 | 8 | M0104102 | 2 |
| 12304301 | 8 | M0210443 | 4 |
| 40370P01 | 4 | M0211021 | 5, 8 |
| A3030361 | 3 | M0220417 | 2, 4 |
| A4554806 | 2 | M0221523 | 2, 9 |
| A4554817 | 2, 3 | M0221913 | 5 |
| B20915627 | 2 | M0224128 | 3 |
| C8983701 | 5, 7 | M0230028 | 1 |
| C9097183WH | 8 | M0238535 | 7 |
| F20915693 | 2 | M0238859 | 3, 7 |



| | | | |
|----------|------------|----------|----|
| M0253916 | 7 | PK930079 | 8 |
| M0288120 | 3, 5 | PK930086 | 8 |
| M0322202 | 9 | PK930114 | 5 |
| PB920201 | 9 | PK930120 | 5 |
| PB970187 | 9 | PK930123 | 11 |
| PB970188 | 9 | PK930126 | 11 |
| PD020032 | 4 | PK930127 | 10 |
| PD020193 | 3 | PK930128 | 11 |
| PD020194 | 2, 3, 7, 8 | PK930129 | 10 |
| PD020195 | 5 | PK930150 | 7 |
| PD020234 | 2, 10, 11 | PK930170 | 5 |
| PD020274 | 2 | PK930171 | 5 |
| PD030006 | 10 | PK930173 | 5 |
| PD030146 | 2 | PK930174 | 5 |
| PD040162 | 11 | PK930175 | 5 |
| PD920174 | 10, 11 | PK930176 | 5 |
| PD940094 | 2 | PK930348 | 2 |
| PD940107 | 2 | PM010616 | 9 |
| PE010030 | 10 | PM010619 | 9 |
| PE050248 | 2 | PM910190 | 8 |
| PE950149 | 9 | PM910194 | 7 |
| PE970464 | 3 | PM910287 | 5 |
| PE970609 | 3 | PM910288 | 5 |
| PJ910031 | 7 | PM910334 | 5 |
| PK020080 | 5 | PM910411 | 8 |
| PK030501 | 6 | a3189370 | 9 |
| PK030502 | 6 | b2096961 | 4 |
| PK030514 | 6 | f2096507 | 9 |
| PK030515 | 6 | f2097740 | 9 |
| PK030516 | 6 | g5096494 | 9 |
| PK030526 | 6 | m0104106 | 3 |
| PK030540 | 8 | m0585504 | 3 |
| PK030563 | 11 | pc910015 | 2 |
| PK030564 | 10 | pd030118 | 9 |
| PK050004 | 4 | | |
| PK910123 | 4 | | |
| PK920024 | 5 | | |
| PK930073 | 8 | | |
| PK930074 | 8 | | |
| PK930075 | 8 | | |
| PK930076 | 8 | | |