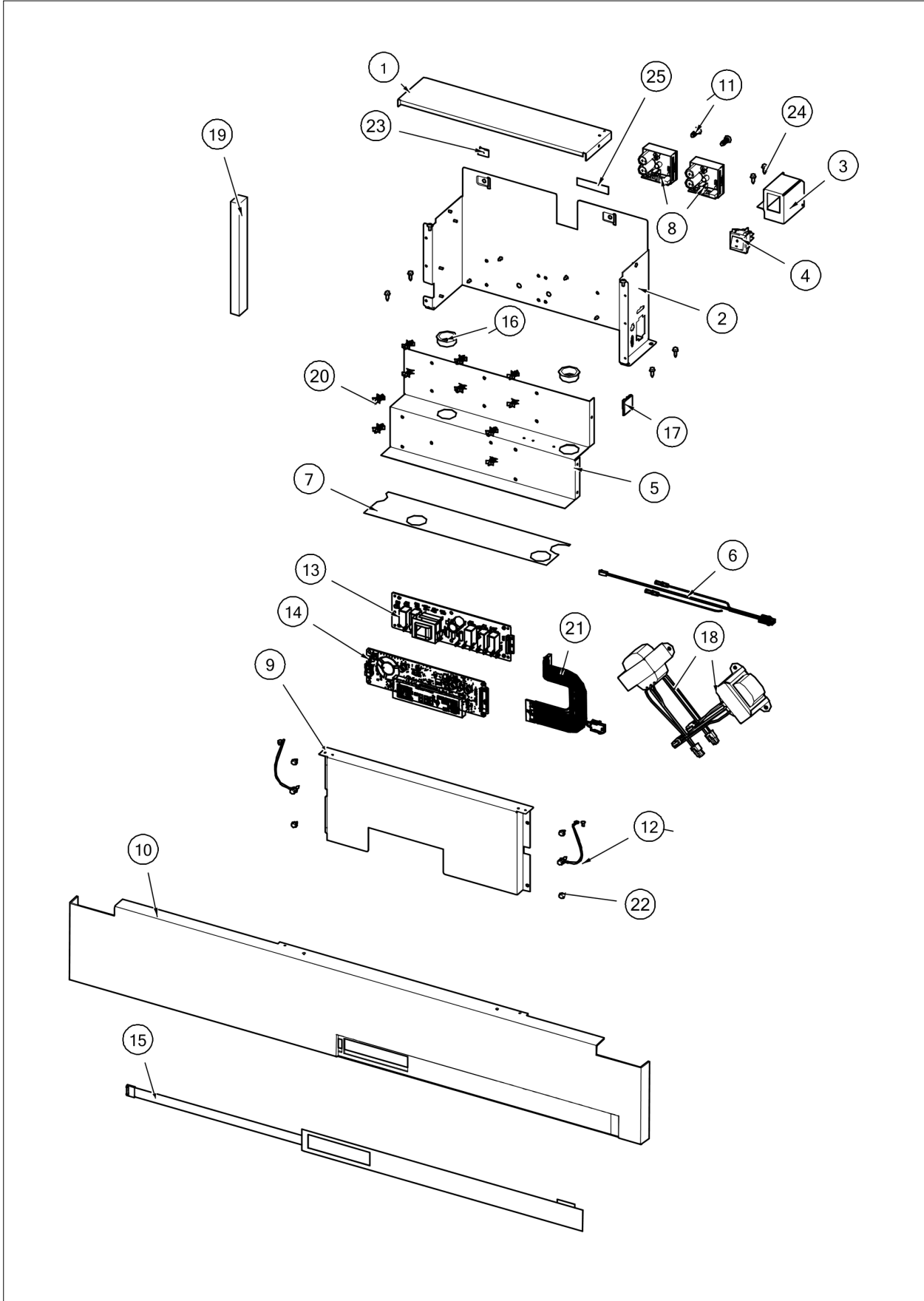


**VCSB5423**

CONTROL .....	1
FREEZER INTERIOR .....	2
FRESH FOOD INTERIOR .....	3
DECOR .....	4
UNIT TOP .....	5
UNIT BOTTOM .....	6
FREEZER DOOR .....	7
FRESH FOOD DOOR .....	8
Appendix A:Pages Index .....	A
Appendix B:Parts Index .....	B

CONTROL



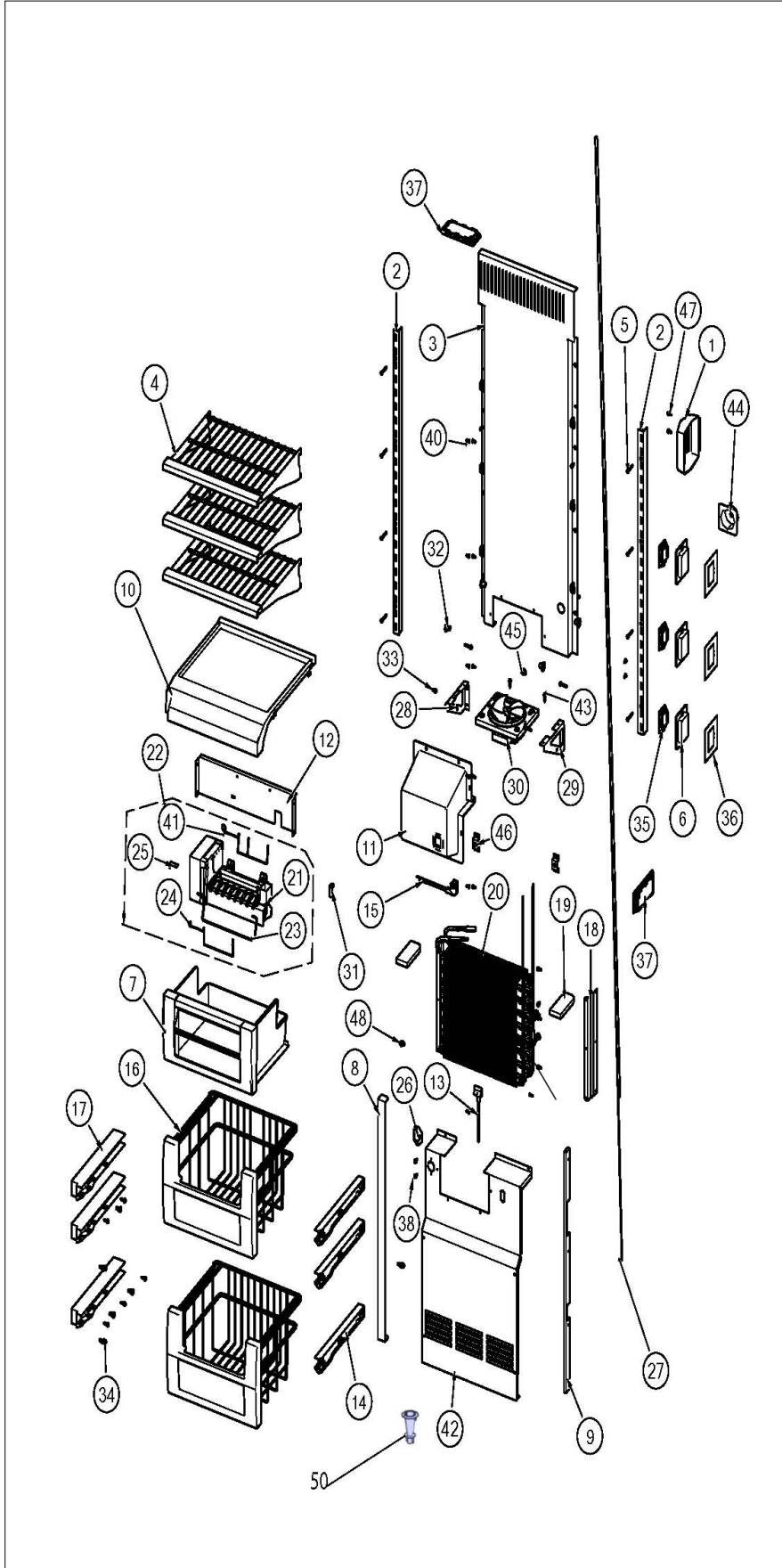


Item	Part No.	Name	Qty	Uom	NOTES
1	K20915000	CONTROL BOX TOP	1	EA	
2	047016-000	MOTOR CONTROL BOX	1	EA	
3	025433-000	BRACKET,SW,POWER	1	EA	
4	PE950149	SWITCH POWER	1	EA	
5	044479-000	MOTOR BRACKET PCB	1	EA	
6	PE970609	HARNESS CONTROL BOARD	1	EA	
7	005396-000	FILM,PROTECTIVE	1	EA	
8	046385-000	CIRCUIT, LED SOFT START	2	EA	
9	016930-000	MOTR CONTROL BOX FRONT	1	EA	
10	016527-000	PANEL CONTROL SXS 42	1	EA	
11	049666-000	SCREW, THREAD ROLLING PAN HEAD	2	EA	
12	12064001	SUPP-CONT PANEL	2	EA	
13	005319-000	POWER CONTROL BOARD ASM	1	EA	
<p>Comments for Part Num. 005319-000</p> <p>boltz on Apr 12, 2018 See TR-0056-SP Bulletin</p>					
14	057309-000	BOARD, LOW VOLTAGE	1	EA	
<p>Comments for Part Num. 057309-000</p> <p>gboltz@VikingRange.com on Apr 29, 2019 SEE TTR-0010 for installation</p>					
15	054568-000	OVERLAY SWITCH ASM 42 SXS	1	EA	
16	A4554817	BUSHING-SNAP VA4554817	2	EA	
17	M0104106	CLIP-CORD VM0104106	1	EA	
18	046386-000	TRANSFORMER, LED SOFT START	2	EA	
19	A3030361	GASKET, RED	1	EA	
20	M0585504	SUPPORT	10	EA	
21	PE970464	HARNESS LOW VOLT	1	EA	
22	PD020193	SCR 8-18 X 3/8	4	EA	
23	M0288120	NUT-SPEED VM0288120	1	EA	



Item	Part No.	Name	Qty	Uom	NOTES
24	PD020194	SCR, HEX SRTD WSHR HD, #8-18 X 1/2	2	EA	
25	014399-000	TAPE, FOAM, DBL SIDED	1	EA	
NI	048643-000	HARNESS, HIGH VOLTAGE	1	EA	
NI	048680-000	HARNESS, POWER SUPPLY, LED, BM/SXS	1	EA	

FREEZER INTERIOR

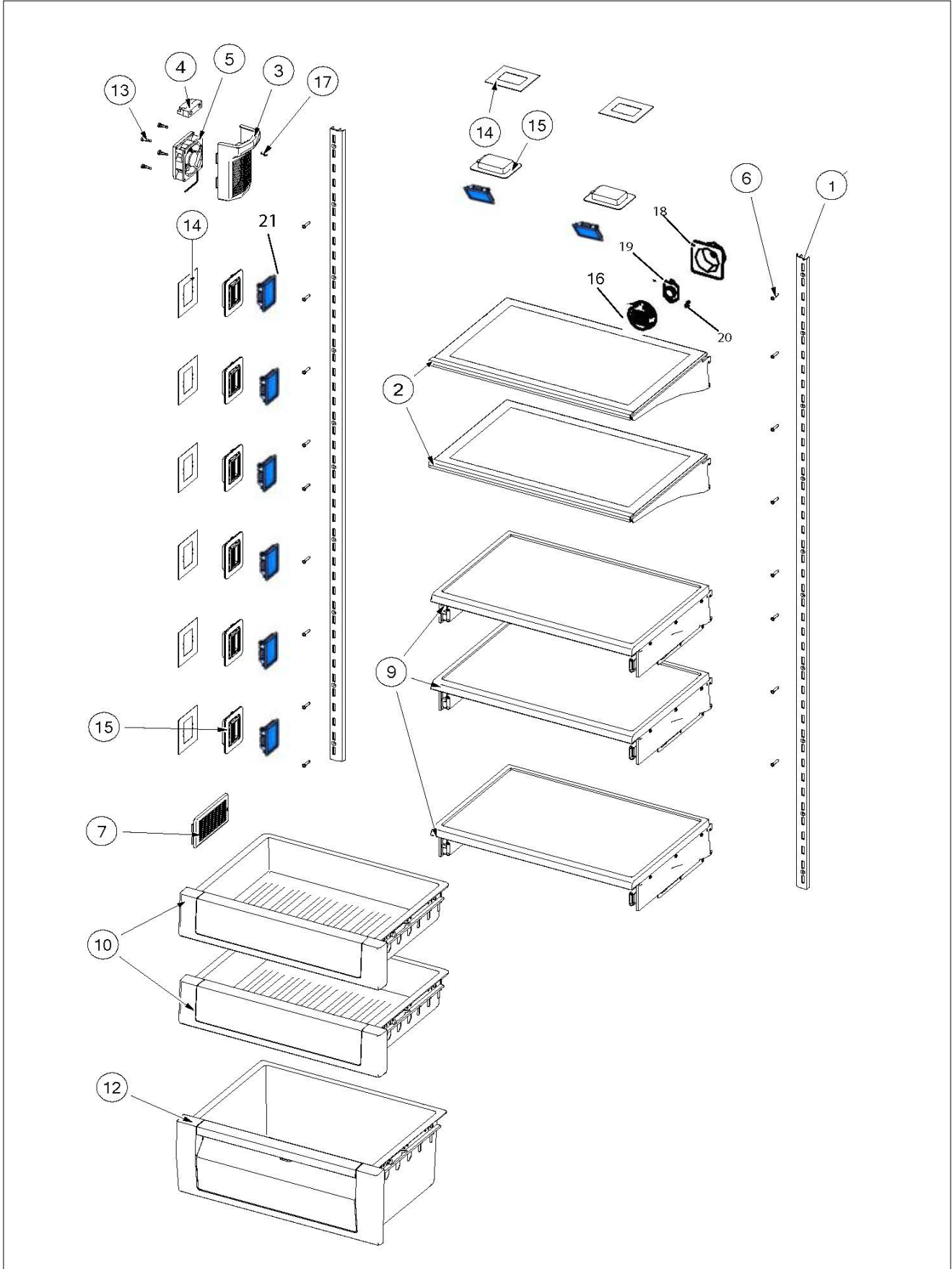


Item	Part No.	Name	Qty	Uom	NOTES
1	053283-000	COVER, FAN, SXS, FREEZER	1	EA	
2	071772-006	LADDER, FZ, L/R SIDE, 42/48	2	EA	
3	L2097181	COVER EVAP UPPER SXS 48	1	EA	
4	PM910411	SHELF WIRE 42/48	3	EA	
5	M0238535	SCREW-SM	8	EA	
6	046358-000	LED CUP ASSY (3) (NON-SERVICEABLE PART)	3	EA	
7	PK930076	ICE PAN ASM SXS 48	1	EA	
8	PK930073	CLOSEOUT SIDE SXS 48 FZ L	1	EA	
9	12304301	CLOSEOUT-FZ SIDE #	1	EA	
10	PK930079	SHELF COVER SXS 48 FZ	1	EA	
11	PK930150	COVER CTR EVAP SXS	1	EA	
12	C2097183	SUPPORT IM ND SXS 48	1	EA	
13	057350-000	EXTENSION, DFR, HEATER, BM	1	EA	
14	PK930074	GLIDE SXS 48 FZ R	3	EA	
15	058966-000	THERMOSTAT DEFROST TERMINATOR	1	EA	
16	PM910190	BASKET ASM FZ	2	EA	
17	PK930075	GLIDE SXS 48 FZ L	3	EA	
18	053200-000	BRKT- EVAP COVER 12234801	1	EA	
19	10629001	BLOCK-R AIR COIL RED	2	EA	
20	G50910020	EVAP ASM SXS	1	EA	
21	G50911851	IM ASM, SXS & AF	1	EA	
22	057731-000	ICEMAKER 7SERIES BM, 5 SERIES	1	EA	
NI	023112-000	HARNESS,ICE MAKER	1	EA	
23	002329-000	ARM, IM SHUTOFF	1	EA	
24	007082-000	WIRE, IM SHUTOFF	1	EA	
25	PD030155	CLIP-IM FILL CUP	1	EA	
26	C8983701	THERMISTOR	1	EA	
27	053301-000	HEAT EXCHANGER ASM SXS 48	1	EA	
28	K2096458	BRKT-L-EVAP-FAN 12223102	1	EA	
29	K2096457	BRKT-R-EVAP FAN 12223101	1	EA	
30	G5098660	FAN EVAP ASM PANASONIC	1	EA	



Item	Part No.	Name	Qty	Uom	NOTES
31	10526701	CLAMP-WIRE V10526701	1	EA	
32	12258501	SUPPORT-SHELF	4	EA	
33	M0211021	SCREW-SM	4	EA	
34	PD020195	SCR 8-18 X 5/8	11	EA	
35	042764-000	LED LIGHT, 3-POINT	3	EA	
36	044694-000	LED SHIM, SMALL SINGLE (NON-SERVICEABLE PART)	6	EA	
37	042766-000	LED LIGHT, 8-POINT	2	EA	
38	M0253916	SCR 8-32 SHXW 3/8 TRI-LOBE	2	EA	
39	M0581001	GROMMET-SCREW	9	EA	
40	M0215318	SCREW-SW	16	EA	
41	054453-000	WIRE, IM, SHUTOFF	1	EA	
42	053191-000	COVER EVAP LOWER SXS	1	EA	
43	M0238859	SCREW-SHLDR	4	EA	
44	053258-000	COVER, SXS, WIRES	1	EA	
45	12102501	RET-HARNESS	2	EA	
46	K2096456	BRKT-EVAP CLIP 12215101	2	EA	
47	PD020194	SCR, HEX SRTD WSHR HD, #8- 18 X 1/2	2	EA	
48	M0581001	GROMMET-SCREW	1	EA	
49	PJ910031	HEATER EVAP SXS	1	EA	
NI	A3189370	GASKET-FOAM VA3189370	1	EA	
NI	A3030303	GASKET	1	EA	
NI	A3030361	GASKET, RED	2	EA	
NI	A3189348	GASKET-FOAM VA3189348	2	EA	
NI	M0321209	TIE-ELEC	1	EA	
50	PK030540	DRAIN TUBE SXS's & 36BM	1	EA	

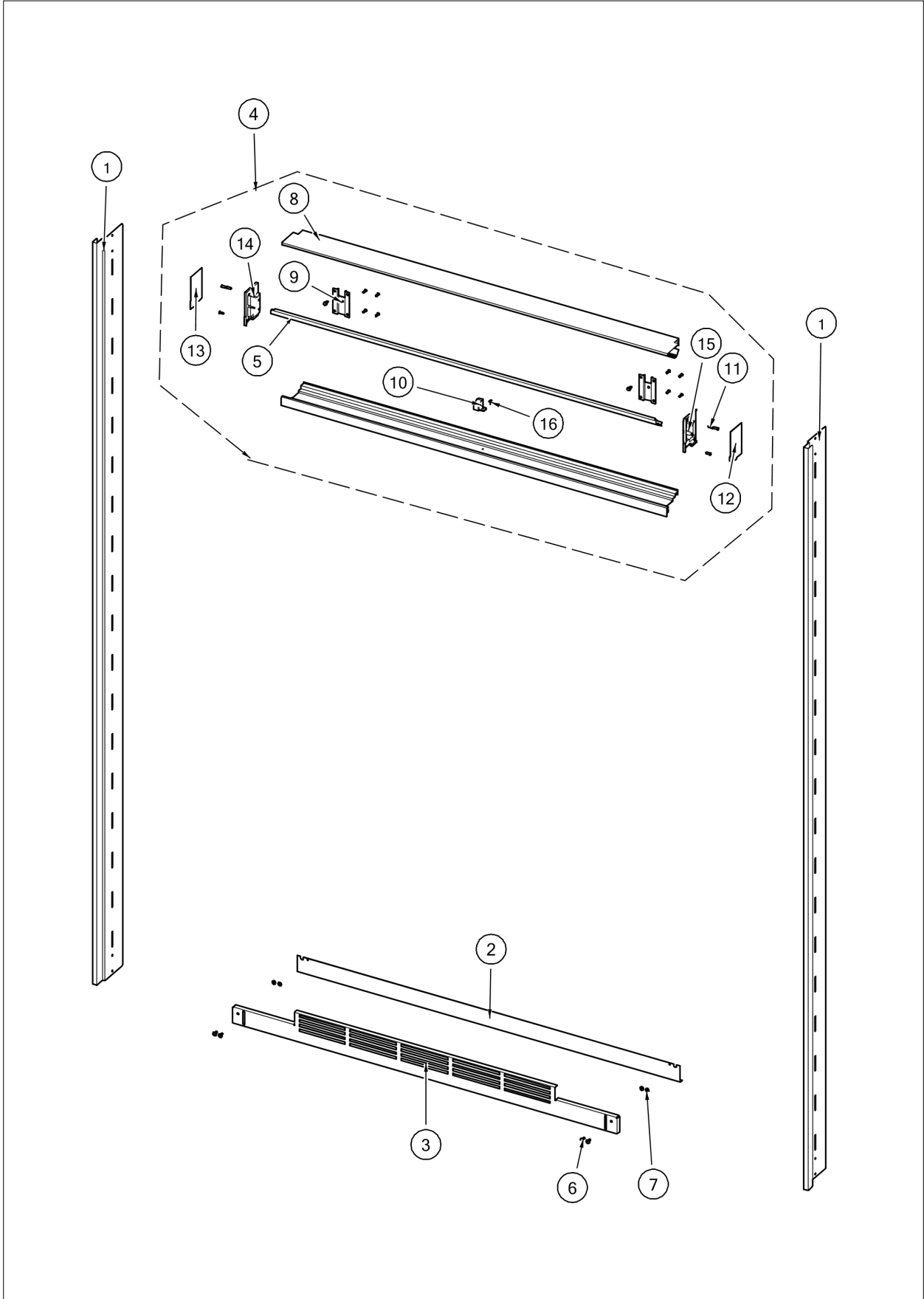
FRESH FOOD INTERIOR





Item	Part No.	Name	Qty	Uom	NOTES
1	071770-006	LADDER, SXS, 42/48	2	EA	
2	042676-000	SHELF, GL, 42" NANO SHELF ASSY	2	EA	
3	053302-000	COVER, FAN, FF, SXS, 42/48	1	EA	
4	010093-000	PLASMA CLUSTER	1	EA	
5	051008-000	FAN,AXIAL,80X80X25MM 24 VDC	1	EA	
6	013397-000	1" PAINTED LADDER SCREW	18	EA	
7	053183-000	COVER, FF, SXS	1	EA	
8	043623-000	SHELF ASM GLASS SXS 42 FF	1	EA	
9	045688-000	SHELF & SLIDE ASM SXS 42	3	EA	
10	G32910068	DRAWER DELI & RAIL ASM SXS 42	2	EA	
12	012809-000	PRODUCE DRAWER & RAIL ASM SXS 42	1	EA	
13	007301-000	GROMMET,RUBBER	4	EA	
14	044694-000	LED SHIM, SMALL SINGLE (NON-SERVICEABLE PART)	8	EA	
15	046358-000	LED CUP ASSY (3) (NON-SERVICEABLE PART)	8	EA	
16	053248-000	COVER, SXS, THERM	2	EA	
17	PD020010	10 X 3/8 GREEN GROUNDING SCREW	1	EA	
NI	A3189370	GASKET-FOAM VA3189370	1	EA	
18	053258-000	COVER, SXS, WIRES	1	EA	
19	C8983701	THERMISTOR	1	EA	
20	M0215318	SCREW-SW	2	EA	
21	042764-000	LED LIGHT, 3-POINT	8	EA	

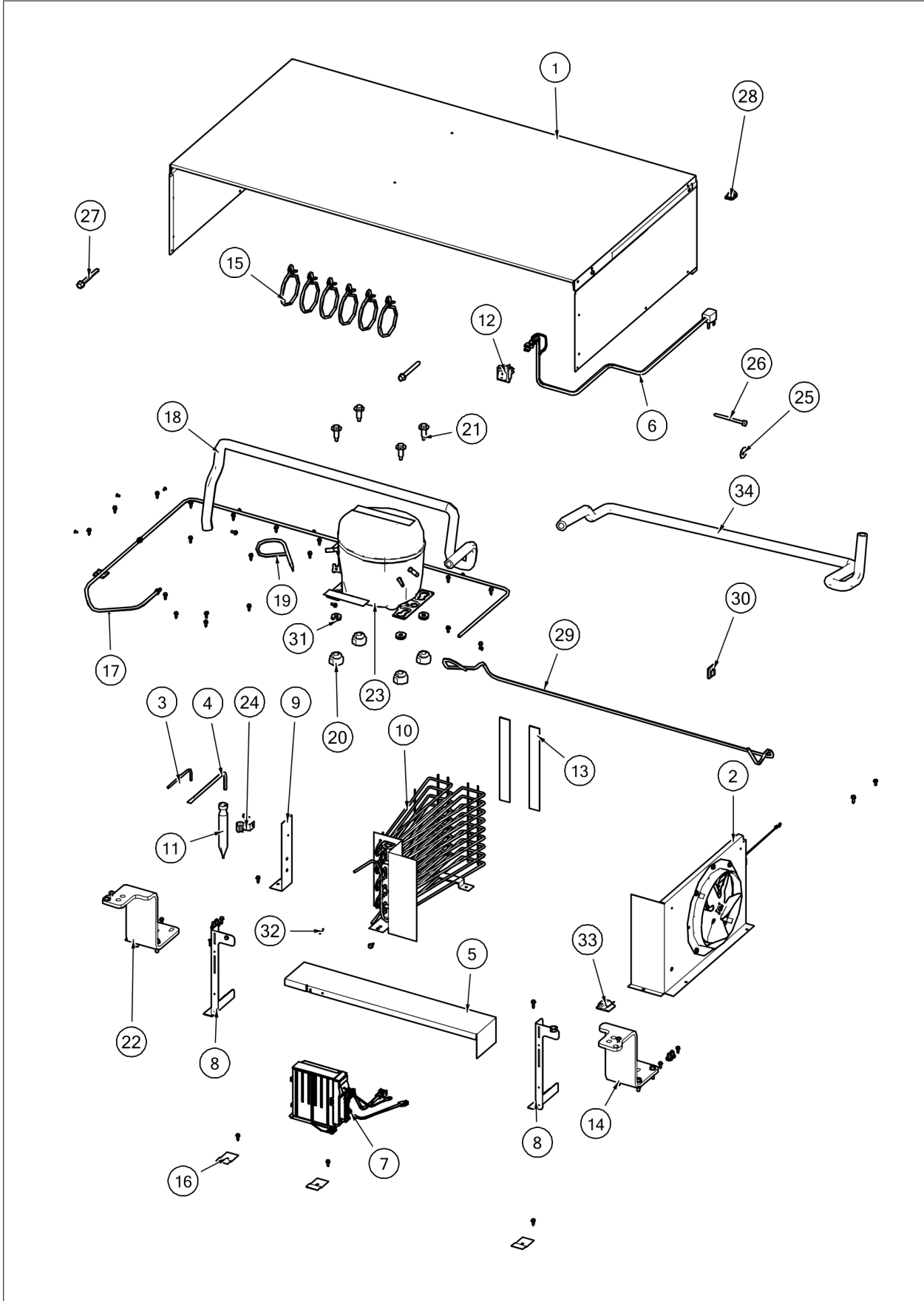
DECOR





Item	Part No.	Name	Qty	Uom	NOTES
1	053836-000	TRIM, SXS,DEEP	2	EA	
2	044991-000	SOLID, TOE, GRILLE, 42 SXS	1	EA	
3	044990-000	VENT, TOE, GRILLE, 42 SXS	1	EA	
4	053427-000	GRILLE, ASM, 42, SXS, PRO	1	EA	
5	052890-000	LOUVER, CTR, 42	1	EA	
6	M0210443	SCREW-E SM VM0210443	4	EA	
7	40370P01	NYLON FLAT WASHER V40370P01	4	EA	
8	016196-000	GRILLE UPPER SXS 42 DES	1	EA	
9	PK050004	BRACKET GRILLE	2	EA	
10	PM910084	SUPPORT GRILLE 12201201	1	EA	
11	003004-000	8 - 18 X 1/2 ZN/CLR PHIL FLAT TRIM HD NO.5 TYPE AB TAPPING SCREW	14	EA	
12	033729-000	ENDCAP, GRILLE, R, HINGE	1	EA	
13	033709-000	ENDCAP, GRILLE, L, HINGE	1	EA	
14	PM910349	END CAP GRILLE L	1	EA	
15	PM910348	ENP CAP GRILLE R	1	EA	
16	M0230028	SCREW-TC	1	EA	
NI	044927-000	GRILLE, TOE, ASM, 42 SXS	1	EA	

UNIT TOP

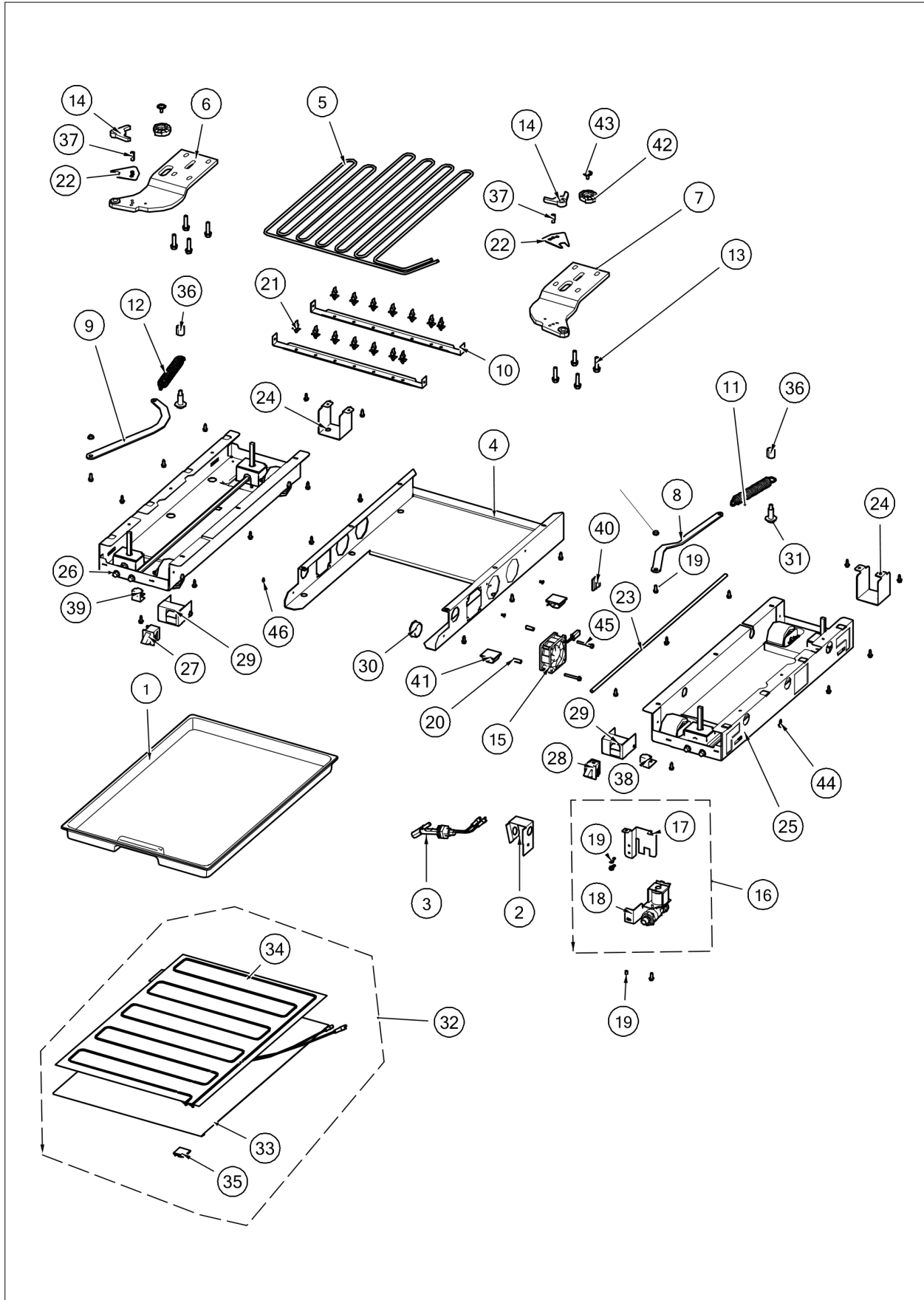


Item	Part No.	Name	Qty	Uom	NOTES
1	053391-000	MC COVER ASM 42	1	EA	
2	050903-000	CONDENSER FAN ASM	1	EA	
3	F2096504	TUBE-DRIER EXT	1	EA	
4	F2097740	TUBE PROCESS	1	EA	
5	014519-000	DIVERTER AIR HI SIDE SXS	1	EA	
6	059105-000	CORD, PWR, BM, LEAD TERMINALS	1	EA	
7	050926-000	INVERTER, CMPR, ASM	1	EA	
8	014190-000	BRACKET, GRILLE SUPPORT	2	EA	
9	K2099454	BRACKET DRIER	1	EA	
10	068353-000	CONDENSER ASM W/COPPER ENDS	1	EA	
11	PM010616	DRIER - HIGH SIDE	1	EA	
12	PE950149	SWITCH POWER	1	EA	
13	A3189370	GASKET-FOAM VA3189370	2	EA	
14	044359-000	UPPER HINGE ASM, RH 30/36AFAR,42,48	1	EA	
15	M0322202	TIE-WIRE	6	EA	
16	K2096943	PANEL BRACKET	3	EA	
17	054658-000	TUBE DISCHARGE POST ACCUMULATOR	1	EA	
18	PB970188	INSULATION TUBING 45.000	1	EA	
19	F2096507	TUBE-PROCESS GRN	1	EA	
20	10835901	GROMMET RUBBER V10835901	4	EA	
21	M0221523	SCREW - SHLDR	4	EA	
22	044358-000	UPPER HINGE ASM, LH 30/36AFAR, 42, 48	1	EA	
23	062775-000	VEGD 8H COMPRESSOR	1	EA	
24	10547001	CLIP-DRIER V10547001	1	EA	
25	M0270510	WASHER	4	EA	
26	M0223509	SCREW-LAG	4	EA	
27	PD020233	SCR LAG 5/16-9 GX 5/16X7/16 WAF IHXW 3 S ZN	2	EA	
28	003104-000	BUSHING,STRN,RLF	1	EA	
29	054407-000	TUBING, DISCHARGE	1	EA	



Item	Part No.	Name	Qty	Uom	NOTES
30	M0104106	CLIP-CORD VM0104106	1	EA	
31	PM910276	GROMMET FAN MOTOR	8	EA	
32	003860-000	10-18 x .500 FASTNR,SCR,HXWH,STL,ZPLT	2	EA	
33	M0104102	CLIP-CORD RED	1	EA	
34	PB970187	INSULATION TUBING 57.500 WC, 5 SERIES	1	EA	
NI	A3189370	GASKET-FOAM VA3189370	2	EA	
NI	M0321209	TIE-ELEC	5	EA	

UNIT BOTTOM

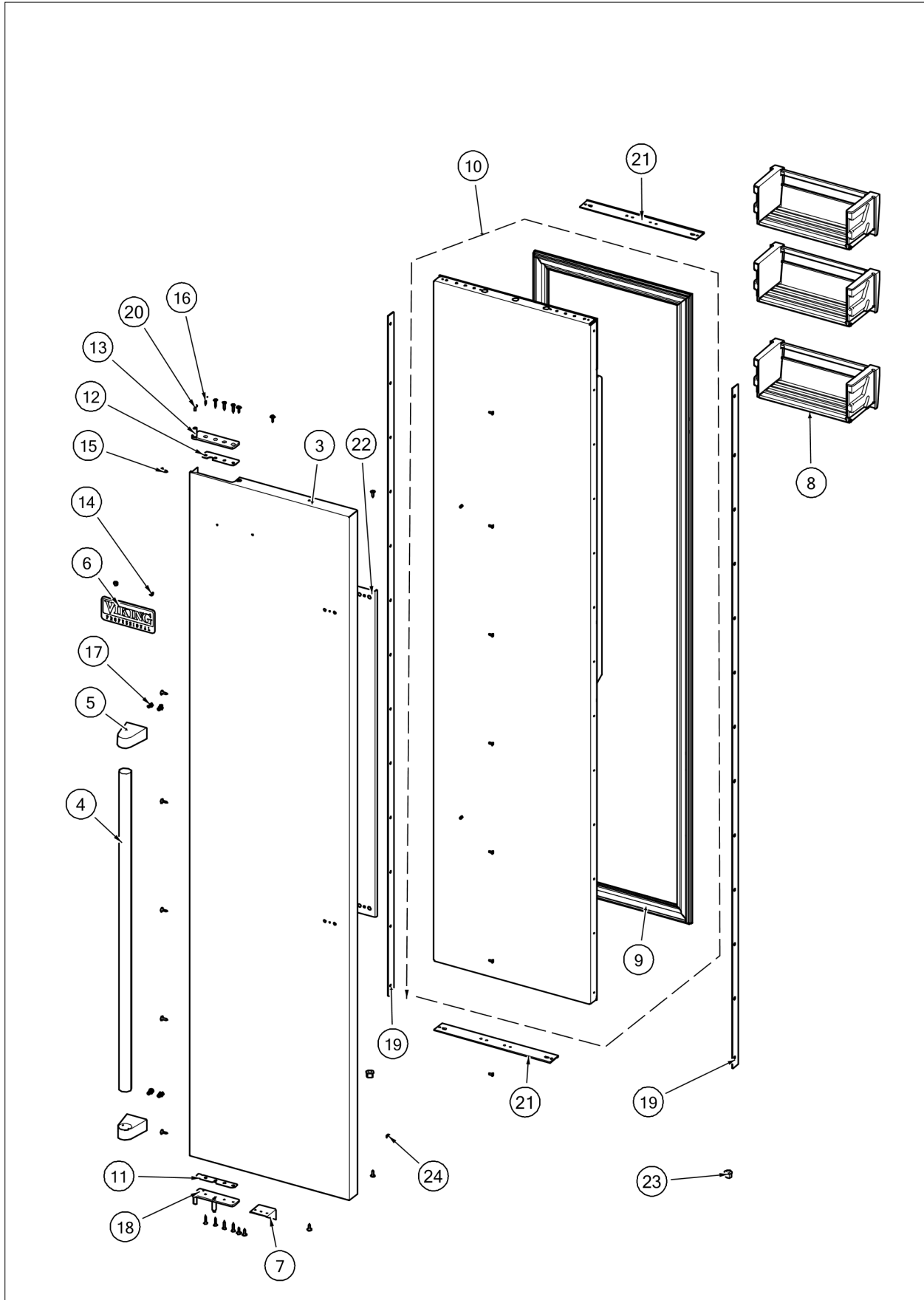


Item	Part No.	Name	Qty	Uom	NOTES
1	PK930348	PAN DRAIN	1	EA	
2	B20915627	BRACKET HORIZ FLOAT SWITCH	1	EA	
3	PE050248	FLOAT SWITCH HORIZONTAL	1	EA	
4	K20915952	SHIELD BOTTOM DRAIN	1	EA	
5	F20915693	SERPENTINE CONDENSER DRAIN ALL SXS'S	1	EA	
6	044046-000	HINGE PLATE, LH, LWR 30/36AFAR, 42, 48	1	EA	
7	044026-000	HINGE PLATE, RH, LWR 30/36ARAF, 42, 48	1	EA	
8	043261-000	BAR, BOTTOM HINGE, RH, WC	1	EA	
9	043258-000	BAR, BOTTOM HINGE, LH, WC	1	EA	
10	K20911831	BRACKET CONDENSATE SUPPORT	2	EA	
11	003867-000	SPRING EXTENSION	1	EA	
12	PC910015	SPRING EXTENSION	1	EA	
13	000570-000	FASTENER, BOLT, 1/4-20 IHXWS 1" S ZN SER	8	EA	
14	044372-000	BUSHING, DOOR STOP	2	EA	
15	013112-000	AXIAL FAN	1	EA	
16	G32913789	BRKT & VALVE H20 SNGL ASM	1	EA	
17	K20913788	BRKT VALVE H20 SINGLE	1	EA	
18	PA970012	SINGLE WATER VALVE	1	EA	
19	M0220417	SCREW-TC	16	EA	
20	011332-000	SPACER,NYL	2	EA	
21	PD030146	STAND OFF LOCK CLIP	14	EA	
22	044511-000	PLATE, DOOR, SHIM	2	EA	
23	044034-000	TUBING, ROLL, PEX 1/4"	1	EA	
24	053261-000	U CHANNEL	2	EA	
25	060890-000	LEVELER, MODULE, R	1	EA	
26	060891-000	LEVELER, MODULE, L	1	EA	
27	046062-000	SWITCH, SPDT GRAY	1	EA	
28	046063-000	SWITCH, SPST NC GRAY	1	EA	
29	044939-000	BRACKET, LT SWITCH	2	EA	
30	A4554817	BUSHING-SNAP VA4554817	1	EA	



Item	Part No.	Name	Qty	Uom	NOTES
31	M0221523	SCREW - SHLDR	2	EA	
32	G50911853	TRAY PAN HEATER	1	EA	
33	L20914124	TRAY PAN HEATER	1	EA	
34	G50911853	TRAY PAN HEATER	1	EA	
35	M0104106	CLIP-CORD VM0104106	1	EA	
36	PD940107	ROUND SPRING SPACER	2	EA	
37	044374-000	PIN, DOOR STOP	2	EA	
38	K2098044	BRKT GRILLE SUPPORT	1	EA	
39	K2098096	BRKT GRILLE SUPPORT	1	EA	
40	M0104106	CLIP-CORD VM0104106	1	EA	
41	M0104102	CLIP-CORD RED	2	EA	
42	044370-000	CAM DOOR ADJUSTMENT	2	EA	
43	044377-000	WSHR FENDER, .219 X .68 X .030	2	EA	
44	PD020194	SCR, HEX SRTD WSHR HD, #8- 18 X 1/2	11	EA	
45	PD020274	SCR SLTD HEX WSHR HD 8X1.250 BT	2	EA	
46	PD020194	SCR, HEX SRTD WSHR HD, #8- 18 X 1/2	13	EA	
47	PD940094	BUSHING	2	EA	

FREEZER DOOR



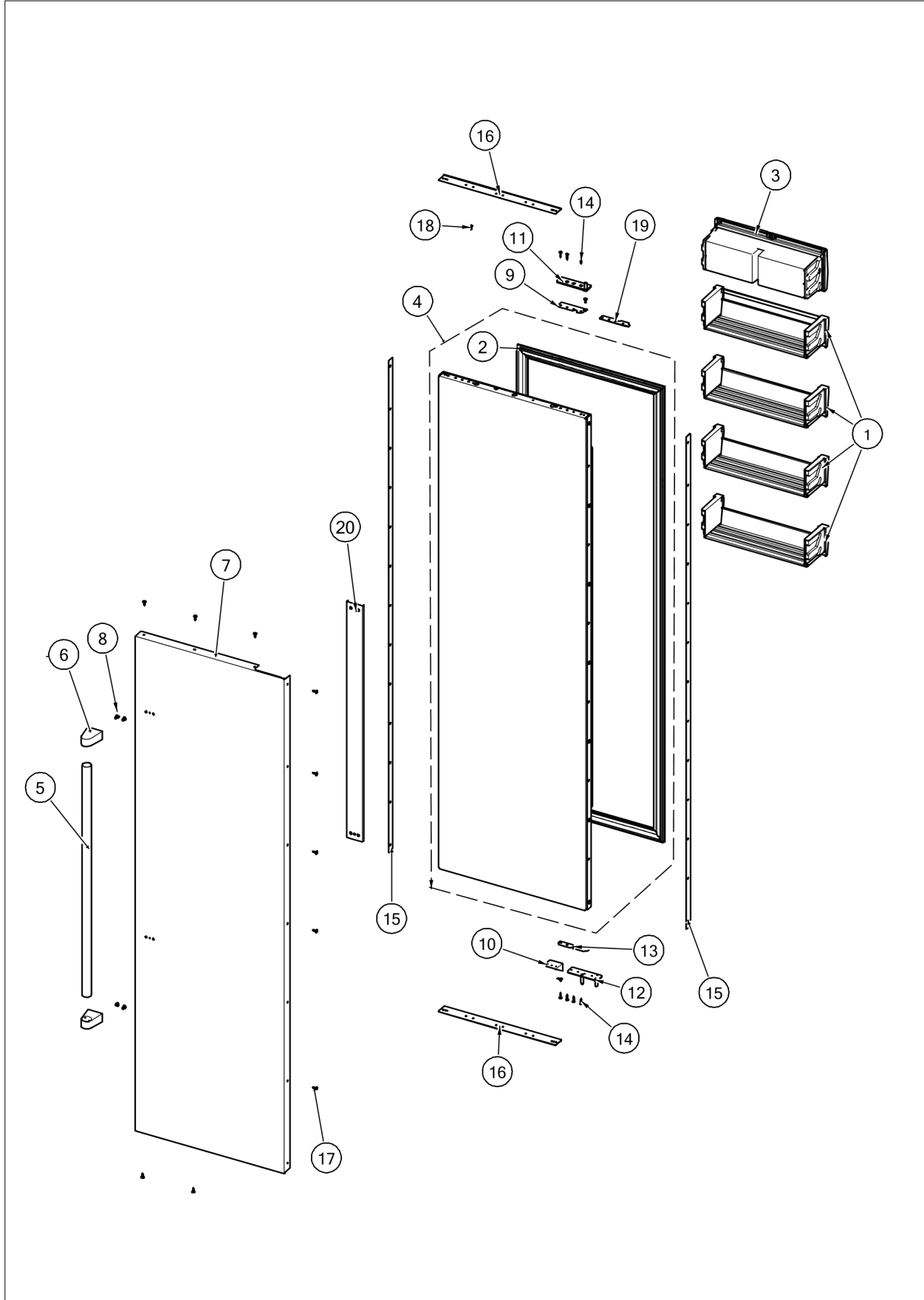


Item	Part No.	Name	Qty	Uom	NOTES
3	043954-000	SKIN, DOOR, SXS 42 PRO FZ SS	1	EA	
3	054769-002	SKIN, DOOR, SXS 42 PRO FZ BK	1	EA	
3	054769-005	SKIN, DOOR, SXS 42 PRO FZ GG	1	EA	
3	054769-006	SKIN, DOOR, SXS 42 PRO FZ WH	1	EA	
3	054769-008	SKIN, DOOR, SXS 42 PRO FZ BU	1	EA	
3	054769-013	SKIN, DOOR, SXS 42 PRO FZ CB	1	EA	
3	054769-024	SKIN, DOOR, SXS 42 PRO FZ AR	1	EA	
4	030894-000	HANDLE, DOOR 36" BRIGADE	1	EA	
5	026965-000	END CAP, ASM, DOOR HANDLE	2	EA	
6	PE010030	LOGO 6" (VGRC) *BK*	1	EA	
7	044314-000	STRIKER, DOOR SWITCH	1	EA	
8	036888-000	DOORBIN ASM SXS FZ	3	EA	
9	005452-000	GASKET,ASM,42,SXS,FZ VID# 602711817-17	1	EA	
10	053119-000	DOOR ASM SXS 42 FZ	1	EA	
11	PD040162	SPACER-DOOR HINGE	1	EA	
12	031391-000	SPACER, 4 HOLE	1	EA	
13	044360-000	UPPER PIVOT PLATE ASM, LH, SXS, AF/AR	1	EA	
14	PD030006	CAPPED WASHER PAL NUT	2	EA	
15	M0210458	SCR 8-18 X 5/8 WAFER PH SMS	12	EA	
16	PD920174	10X7/8 PHILLIPS SMA TRI LOBE SA	8	EA	
17	035647-000	BOLT, FASTENER, HXH, SST	4	EA	
18	044344-000	PIVOT PL ASM LH LW PRO/DES	1	EA	
19	014581-000	SPACER,TRIM,SXS,AF,AR	2	EA	
20	PD020234	SCREW THP 10-32 X .500 SS BO	1	EA	
21	056647-000	TRIM, FRZ, TOP/BTM, 42	2	EA	
22	042374-000	BRACKET, HANDLE SUPPORT	1	EA	
23	044373-000	BUSHING, DOOR LEVEL	4	EA	



Item	Part No.	Name	Qty	Uom	NOTES
24	PD940094	BUSHING	2	EA	

FRESH FOOD DOOR





Item	Part No.	Name	Qty	Uom	NOTES
1	036890-000	DOORBIN ASM SXS 42 FF	4	EA	
2	005451-000	GASKET,ASM,42,SXS,FF VID# 602711807-17	1	EA	
3	PK930123	DAIRY MODULE ASM SXS 42	1	EA	
4	053115-000	DOOR ASM SXS 42/42D FF	1	EA	
5	030894-000	HANDLE, DOOR 36" BRIGADE	1	EA	
6	026965-000	END CAP, ASM, DOOR HANDLE	2	EA	
7	043955-000	SKIN, DOOR, SXS 42 PRO FF SS	1	EA	
7	054766-002	SKIN, DOOR, SXS 42 PRO FF CRS BK	1	EA	
7	054766-005	SKIN, DOOR, SXS 42 PRO FF CRS GG	1	EA	
7	054766-006	SKIN, DOOR, SXS 42 PRO FF CRS WH	1	EA	
7	054766-008	SKIN, DOOR, SXS 42 PRO FF CRS BU	1	EA	
7	054766-013	SKIN, DOOR, SXS 42 PRO FF CRS CB	1	EA	
7	054766-024	SKIN, DOOR, SXS 42 PRO FF CRS AR	1	EA	
8	035647-000	BOLT, FASTENER, HXH, SST	4	EA	
9	044859-000	SPACER 4-HOLE, SILVER POWDER COATED	1	EA	
10	044314-000	STRIKER, DOOR SWITCH	1	EA	
11	044361-000	UPPER PIVOT PLATE ASM, RH, SXS, AF/AR	1	EA	
12	044063-000	PIVOT PL ASM RH LW PRO/DES	1	EA	
13	PD040162	SPACER-DOOR HINGE	1	EA	
14	PD920174	10X7/8 PHILLIPS SMA TRI LOBE SA	8	EA	
15	014581-000	SPACER,TRIM,SXS,AF,AR	2	EA	
16	056838-000	TRIM, FF, TOP/BTM, 42	2	EA	
17	M0210458	SCR 8-18 X 5/8 WAFER PH SMS	28	EA	
18	PD020234	SCREW THP 10-32 X .500 SS BO	1	EA	
19	001617-000	SPACER,NYL,PIVOT PLATE	1	EA	
20	042374-000	BRACKET, HANDLE SUPPORT	1	EA	



Appendix A:Pages Index

CONTROL ..... 1  
DECOR ..... 4  
FREEZER DOOR ..... 7  
FREEZER INTERIOR ..... 2  
FRESH FOOD DOOR ..... 8  
FRESH FOOD INTERIOR ..... 3  
UNIT BOTTOM ..... 6  
UNIT TOP ..... 5



## Appendix B:Parts Index

000570-000	6	043261-000	6
001617-000	8	043623-000	3
002329-000	2	043954-000	7
003004-000	4	043955-000	8
003104-000	5	044026-000	6
003860-000	5	044034-000	6
003867-000	6	044046-000	6
005319-000	1	044063-000	8
005396-000	1	044314-000	7, 8
005451-000	8	044344-000	7
005452-000	7	044358-000	5
007082-000	2	044359-000	5
007301-000	3	044360-000	7
010093-000	3	044361-000	8
011332-000	6	044370-000	6
012809-000	3	044372-000	6
013112-000	6	044373-000	7
013397-000	3	044374-000	6
014190-000	5	044377-000	6
014399-000	1	044479-000	1
014519-000	5	044511-000	6
014581-000	7, 8	044694-000	2, 3
016196-000	4	044859-000	8
016527-000	1	044927-000	4
016930-000	1	044939-000	6
023112-000	2	044990-000	4
025433-000	1	044991-000	4
026965-000	7, 8	045688-000	3
030894-000	7, 8	046062-000	6
031391-000	7	046063-000	6
033709-000	4	046358-000	2, 3
033729-000	4	046385-000	1
035647-000	7, 8	046386-000	1
036888-000	7	047016-000	1
036890-000	8	048643-000	1
042374-000	7, 8	048680-000	1
042676-000	3	049666-000	1
042764-000	2, 3	050903-000	5
042766-000	2	050926-000	5
043258-000	6	051008-000	3
		052890-000	4



053115-000	8	071770-006	3
053119-000	7	071772-006	2
053183-000	3	10526701	2
053191-000	2	10547001	5
053200-000	2	10629001	2
053248-000	3	10835901	5
053258-000	2, 3	12064001	1
053261-000	6	12102501	2
053283-000	2	12258501	2
053301-000	2	12304301	2
053302-000	3	40370P01	4
053391-000	5	A3030303	2
053427-000	4	A3030361	1, 2
053836-000	4	A3189348	2
054407-000	5	A3189370	2, 3, 5, 5
054453-000	2	A4554817	1, 6
054568-000	1	B20915627	6
054658-000	5	C2097183	2
054766-002	8	C8983701	2, 3
054766-005	8	F20915693	6
054766-006	8	F2096504	5
054766-008	8	F2096507	5
054766-013	8	F2097740	5
054766-024	8	G32910068	3
054769-002	7	G32913789	6
054769-005	7	G50910020	2
054769-006	7	G50911851	2
054769-008	7	G50911853	6, 6
054769-013	7	G5098660	2
054769-024	7	K20911831	6
056647-000	7	K20913788	6
056838-000	8	K20915000	1
057309-000	1	K20915952	6
057350-000	2	K2096456	2
057731-000	2	K2096457	2
058966-000	2	K2096458	2
059105-000	5	K2096943	5
060890-000	6	K2098044	6
060891-000	6	K2098096	6
062775-000	5	K2099454	5
068353-000	5	L20914124	6



L2097181	2	PE970464	1
M0104102	5, 6	PE970609	1
M0104106	1, 5, 6, 6	PJ910031	2
M0210443	4	PK030540	2
M0210458	7, 8	PK050004	4
M0211021	2	PK930073	2
M0215318	2, 3	PK930074	2
M0220417	6	PK930075	2
M0221523	5, 6	PK930076	2
M0223509	5	PK930079	2
M0230028	4	PK930123	8
M0238535	2	PK930150	2
M0238859	2	PK930348	6
M0253916	2	PM010616	5
M0270510	5	PM910084	4
M0288120	1	PM910190	2
M0321209	2, 5	PM910276	5
M0322202	5	PM910348	4
M0581001	2, 2	PM910349	4
M0585504	1	PM910411	2
PA970012	6		
PB970187	5		
PB970188	5		
PC910015	6		
PD020010	3		
PD020193	1		
PD020194	1, 2, 6, 6		
PD020195	2		
PD020233	5		
PD020234	7, 8		
PD020274	6		
PD030006	7		
PD030146	6		
PD030155	2		
PD040162	7, 8		
PD920174	7, 8		
PD940094	6, 7		
PD940107	6		
PE010030	7		
PE050248	6		
PE950149	1, 5		