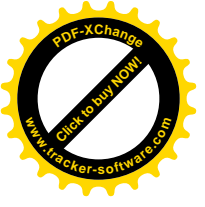


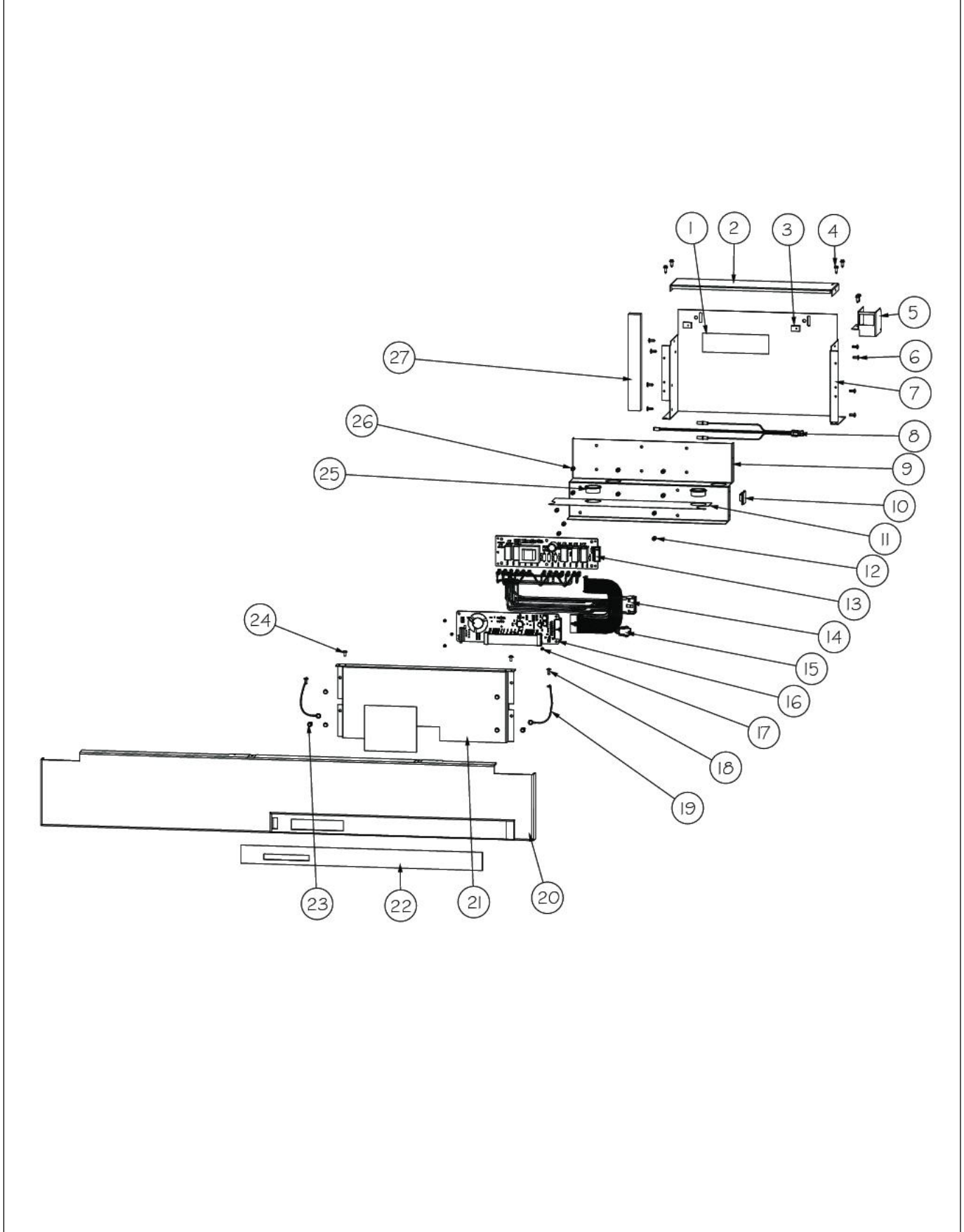
**VCSB5481D**

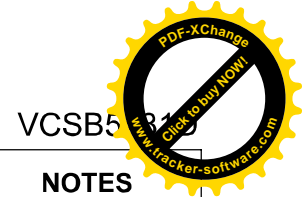
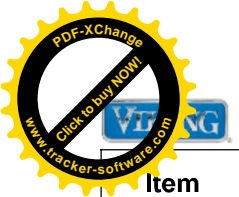


CONTROL ASSY .....	3
DIAPHRAGM .....	4
DOOR SHELVES .....	5
EXTERIOR ASSY .....	4
FF DOOR ASSY .....	5
FF INTERIOR ASSY .....	6
FZ DOOR ASSY .....	7
FZ INTERIOR ASSY .....	8
LOW SIDE ASSY .....	9
LOWER UNIT ASSY .....	10
MC COVER .....	11
SEALED SYSTEM ASSY .....	12
UPPER GRILLE ASSY .....	13
WIRING .....	14
Appendix A:Pages Index .....	A
Appendix B:Parts Index .....	B

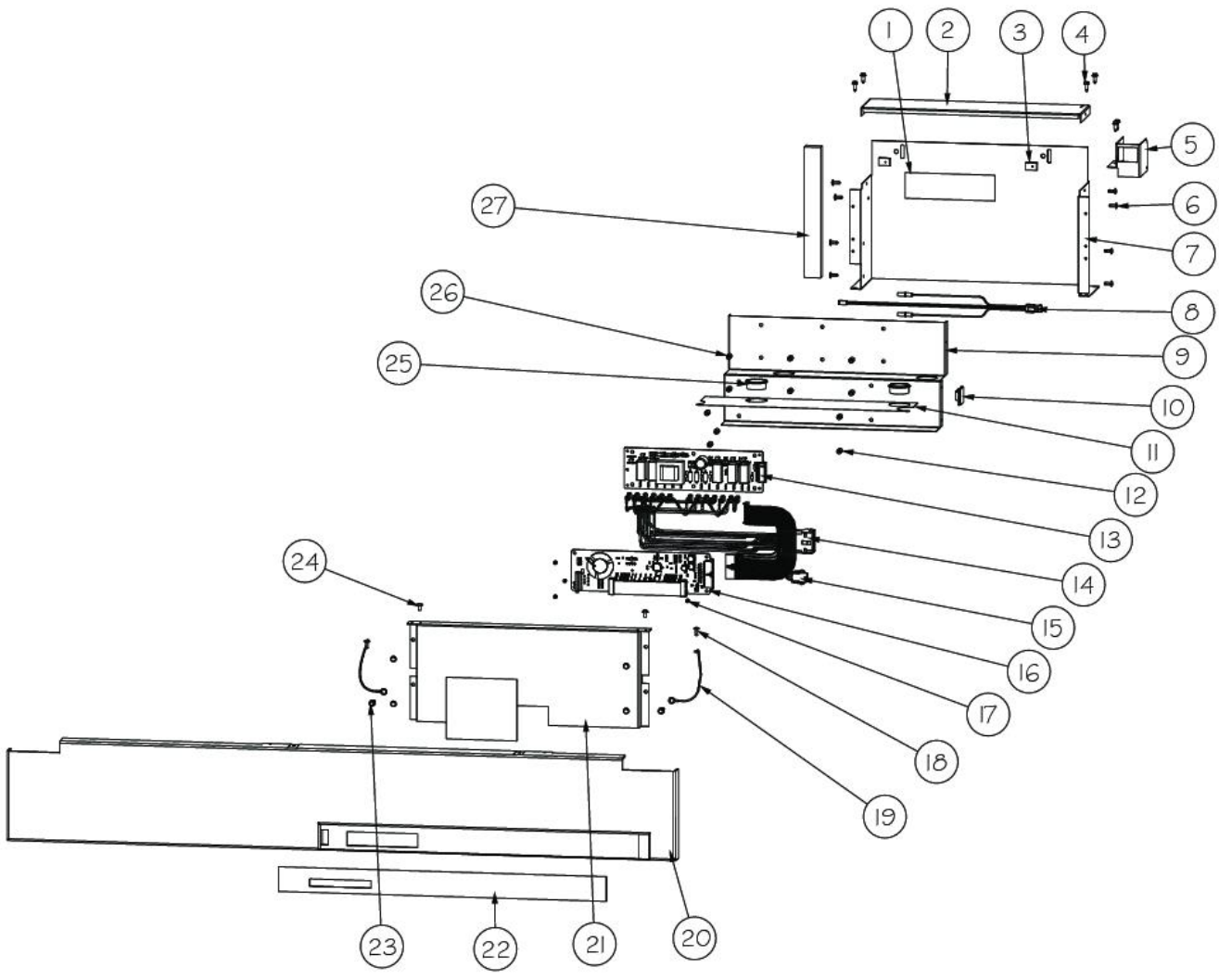


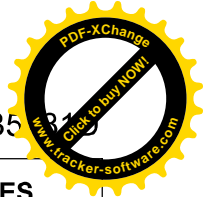
# CONTROL ASSY





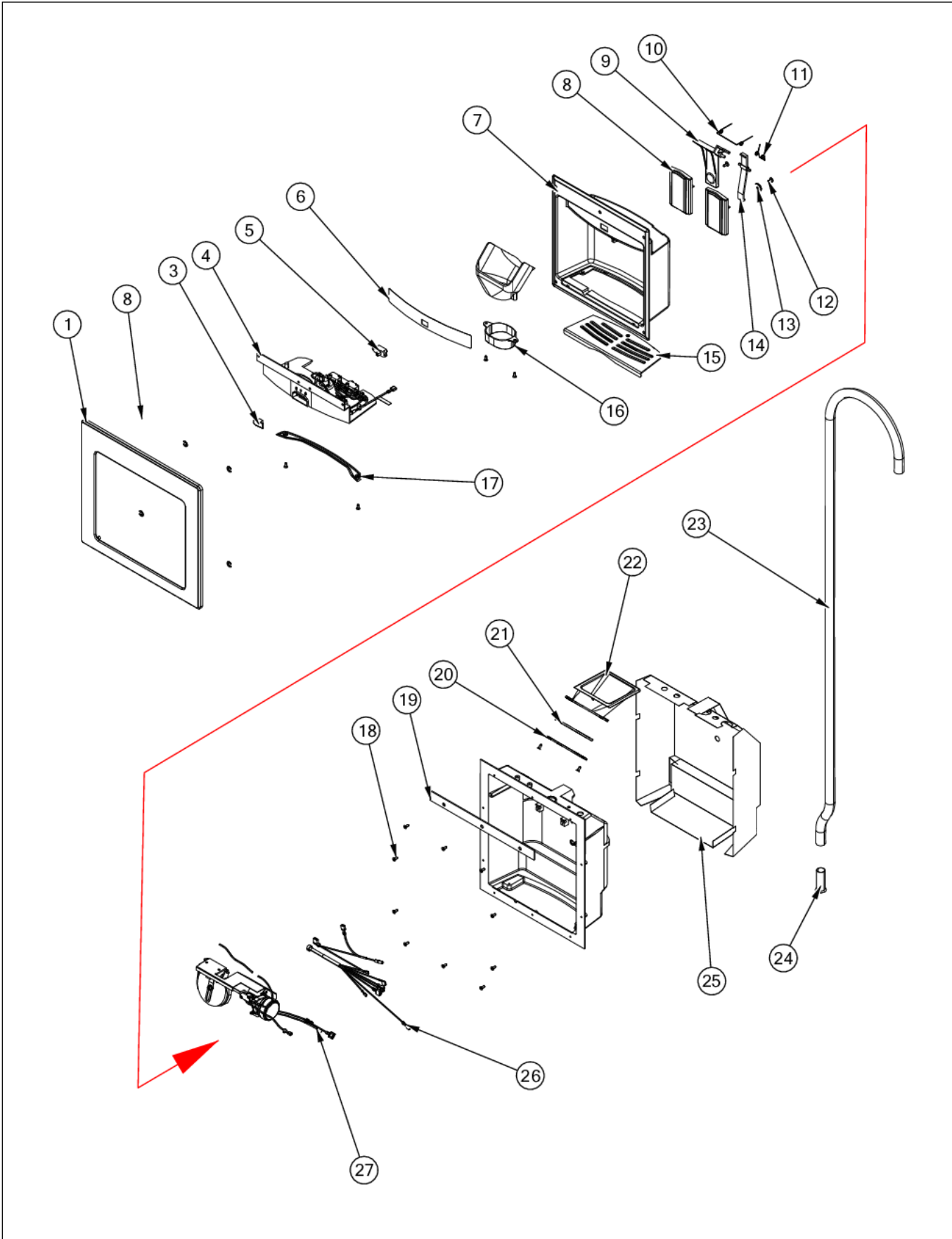
Item	Part No.	Name	Qty	Uom	NOTES
1	PF930672	LABEL DC COMPRESSOR	2	EA	
2	K20915000	CONTROL BOX TOP	1	EA	
3	M0288120	NUT-SPEED VM0288120	2	EA	
4	PD020194	SCR, HEX SRTD WSHR HD, #8-18 X 1/2	10	EA	
5	025433-000	BRACKET,SW,POWER	1	EA	
6	PC040010	POP RIVET (.063/GR -.125) GAMD42-A	8	EA	
7	016928-000	MOTR CONTROL BOX	1	EA	
8	PE970609	HARNESS CONTROL BOARD	1	EA	
9	019993-000	MOTR BRACKET PCB	1	EA	
10	M0104106	CLIP-CORD VM0104106	1	EA	
11	005396-000	FILM,PROTECTIVE	1	EA	
12	M0585504	SUPPORT	5	EA	
13	005319-000	POWER CONTROL BOARD ASM	1	EA	
<p>Comments for Part Num. 005319-000</p> <p>boltz on Apr 12, 2018 See TR-0056-SP Bulletin</p>					
14	015365-000	HARNESS HIGH VOLT	1	EA	
15	PE970464	HARNESS LOW VOLT	1	EA	
16	017695-000	BOARD,LOW,VOLTAGE	1	EA	
<p>Comments for Part Num. 017695-000</p> <p>bradleysapplianceservice@shaw.ca on Apr 21, 2017 CAUTION WHEN ORDERING PART: 057309-000 LOW VOLTAGE BOARD WHITE FACE - FOR 2 SERIES AND UP. 017695-000 LOW VOLTAGE BOARD BLACK FACE - FOR 1 SERIES ONLY. vharding68@verizon.net on Aug 3, 2018 Thank you for that :-)</p>					
17	PD020013	TYPE "AB" #6 X 3/8 PH PAN HD. SMS	5	EA	
18	PC040010	POP RIVET (.063/GR -.125) GAMD42-A	1	EA	
19	12064001	SUPP-CONT PANEL	2	EA	
20	016593-000	PANEL CONTROL SXS 48	1	EA	

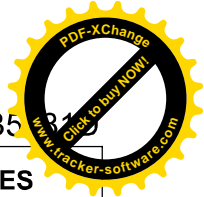




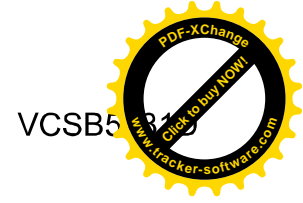
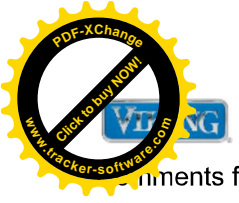
Item	Part No.	Name	Qty	Uom	NOTES
21	016930-000	MOTR CONTROL BOX FRONT	1	EA	
22	016273-000	OVERLAY,SW,ASM,SXS 48 DISP	1	EA	
23	M0238846	SCREW-SHLDR	2	EA	
24	M0224128	SCREW-SM	2	EA	
25	A4554817	BUSHING-SNAP VA4554817	2	EA	
26	M0585504	SUPPORT	6	EA	
27	A3030361	GASKET	1	EA	

# DISPENSER





Item	Part No.	Name	Qty	Uom	NOTES
1	009435-000	BEZEL,OVERLAY	1	EA	
2	014845-000	RETAINER CLIP,BEZEL OVERLAY	5	EA	
3	013685-000	CAP, SWITCH	1	EA	
4	PE070755	DISPENSER CAVITY ASSEMBLY (REPLACEMENT BULB IN ASSEMBLY 011209-000)	1	EA	
5	PE950152	SWITCH SLIDE	1	EA	
6	041624-000	INSERT, FACADE, SXS, DISPENSER	1	EA	
7	015162-000	BEZEL,PROI, I/W DISPENSER	1	EA	
8	009631-000	PADDLE,ASM	2	EA	
9	PK030470	ARM ICE ACTUATOR	1	EA	
10	PC010022	SPRING RETURN ICE ACTUATOR	1	EA	
11	B8385402	SPRING-RETURN	1	EA	
12	M0210443	SCREW-E SM	2	EA	
13	M0270546	WASHER	2	EA	
14	PK930404	ARM WATER ACTUATOR	1	EA	
15	013682-000	TRAY,SPILL, PROI, I/W DISPENSER 42D&48D	1	EA	
16	036579-000	SHROUD, I/W DISPENSER	1	EA	
17	036580-000	STOP, E FACADE	1	EA	
18	M0215318	SCREW-SM	4	EA	
19	PK930374	SHIM	1	EA	
20	PK930401	DEFLECTOR-ICE	1	EA	
21	12193801	GASKET - ICE DR	1	EA	
22	12348201	Ice Chute	1	EA	
23	PK930410	CHASE WATERLINE	1	EA	
24	PK930293	ADAPTER CABLE/WATERLINE BOTTOM SXS DISP	1	EA	
25	PE970484	HEATER CAVITY	1	EA	
26	PE070751	HARNES JUMPER DISP CAVITY	1	EA	
27	G50914155	ICE DISPENSER MODULE ASM	1	EA	
NI	PB020302	PLASTIC TUBING-DOOR WATERLINE SXS DISP	1	EA	

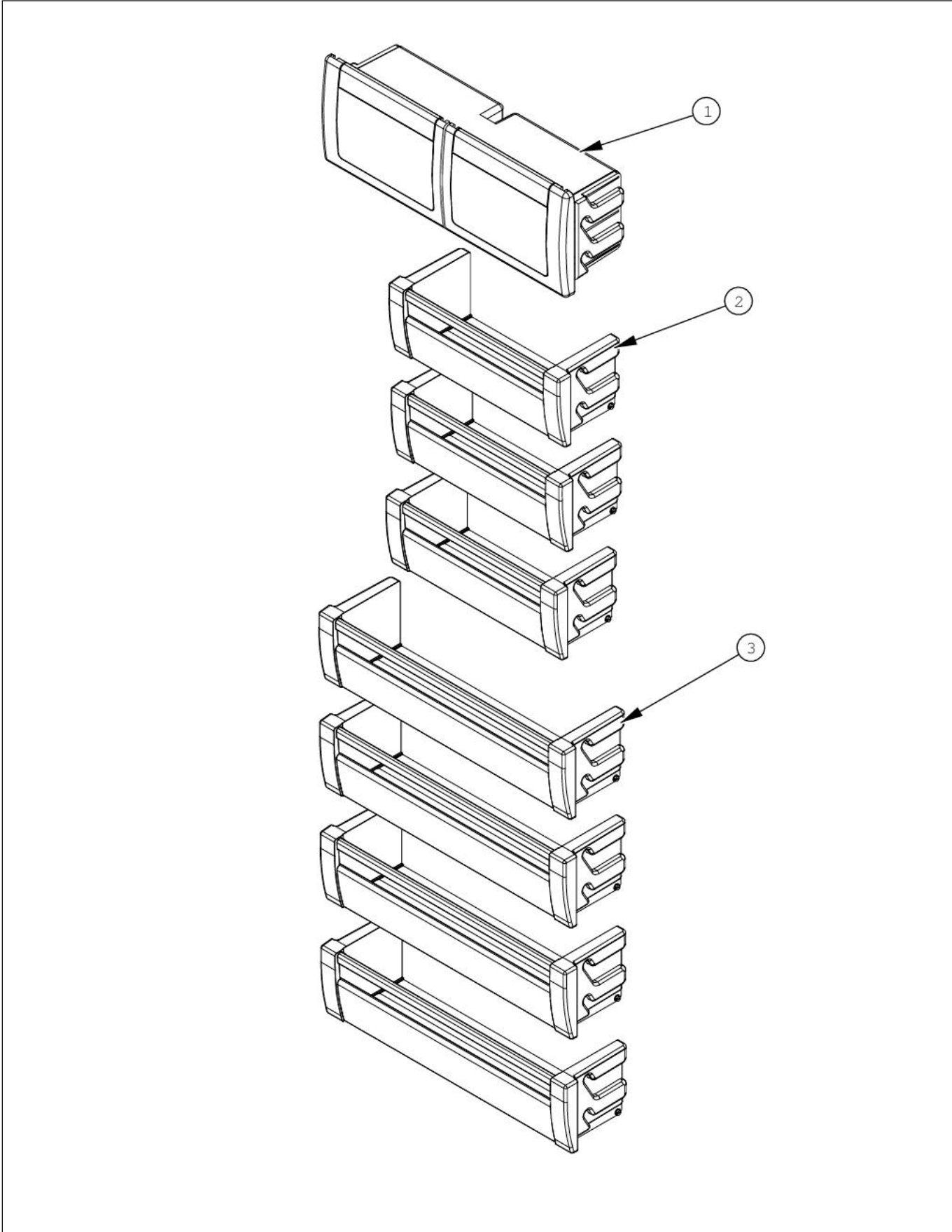


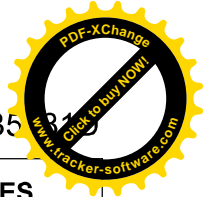
Comments for Page: DISPENSER

JREXEC02@AOL.COM on Feb 15, 2018

Can't find the pocket heater kit

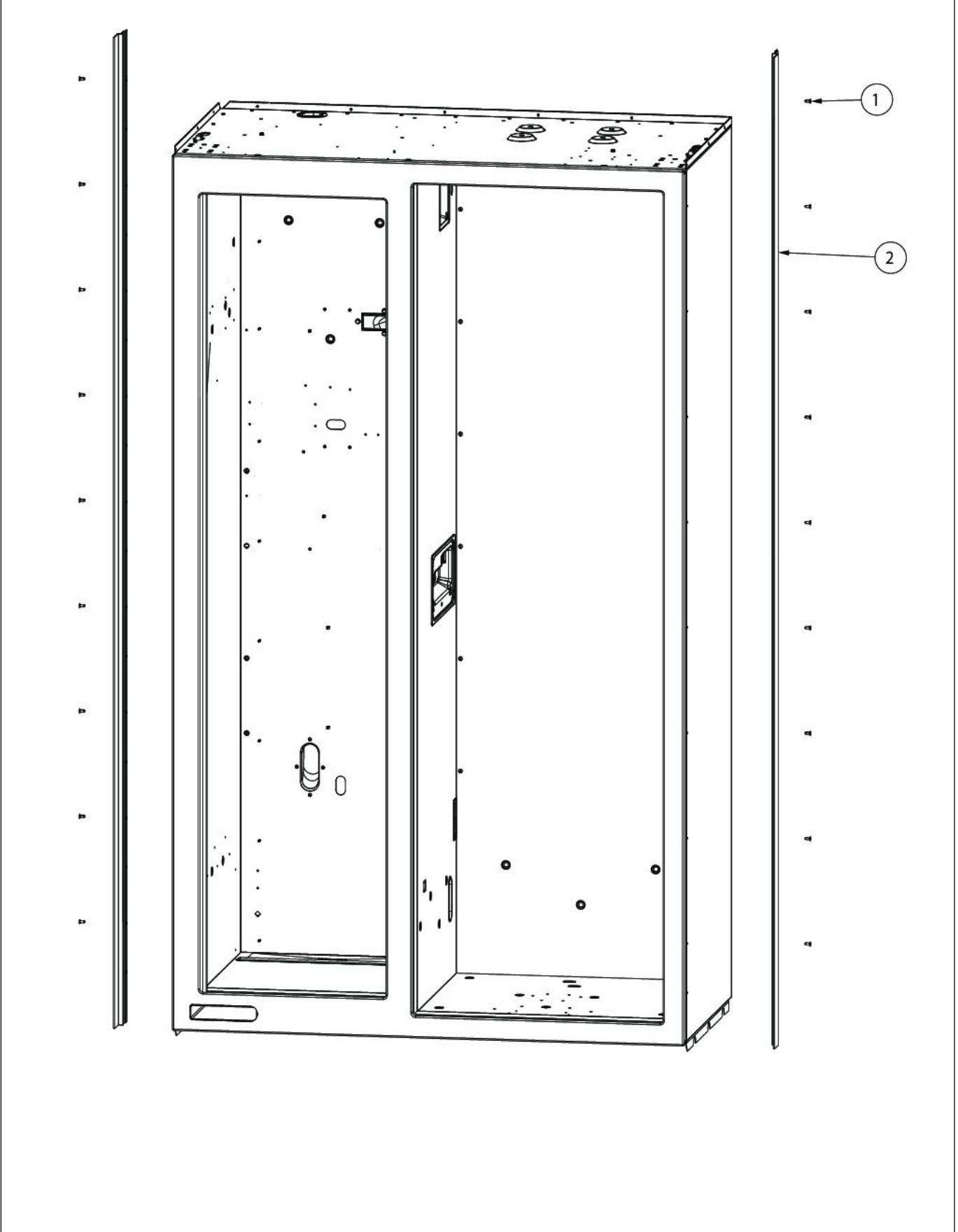
# FOR SHELVES

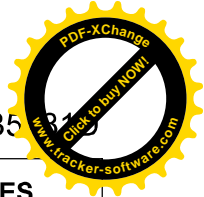




Item	Part No.	Name	Qty	Uom	NOTES
1	V12203602	DAIRY MODULE ASSY #	1	EA	
2	036888-000	DOORBIN ASM SXS FZ	3	EA	
3	036886-000	DOORBIN ASM SXS 48 FF	4	EA	
NI	019244-000	ACCESSORY, ASM	1	EA	

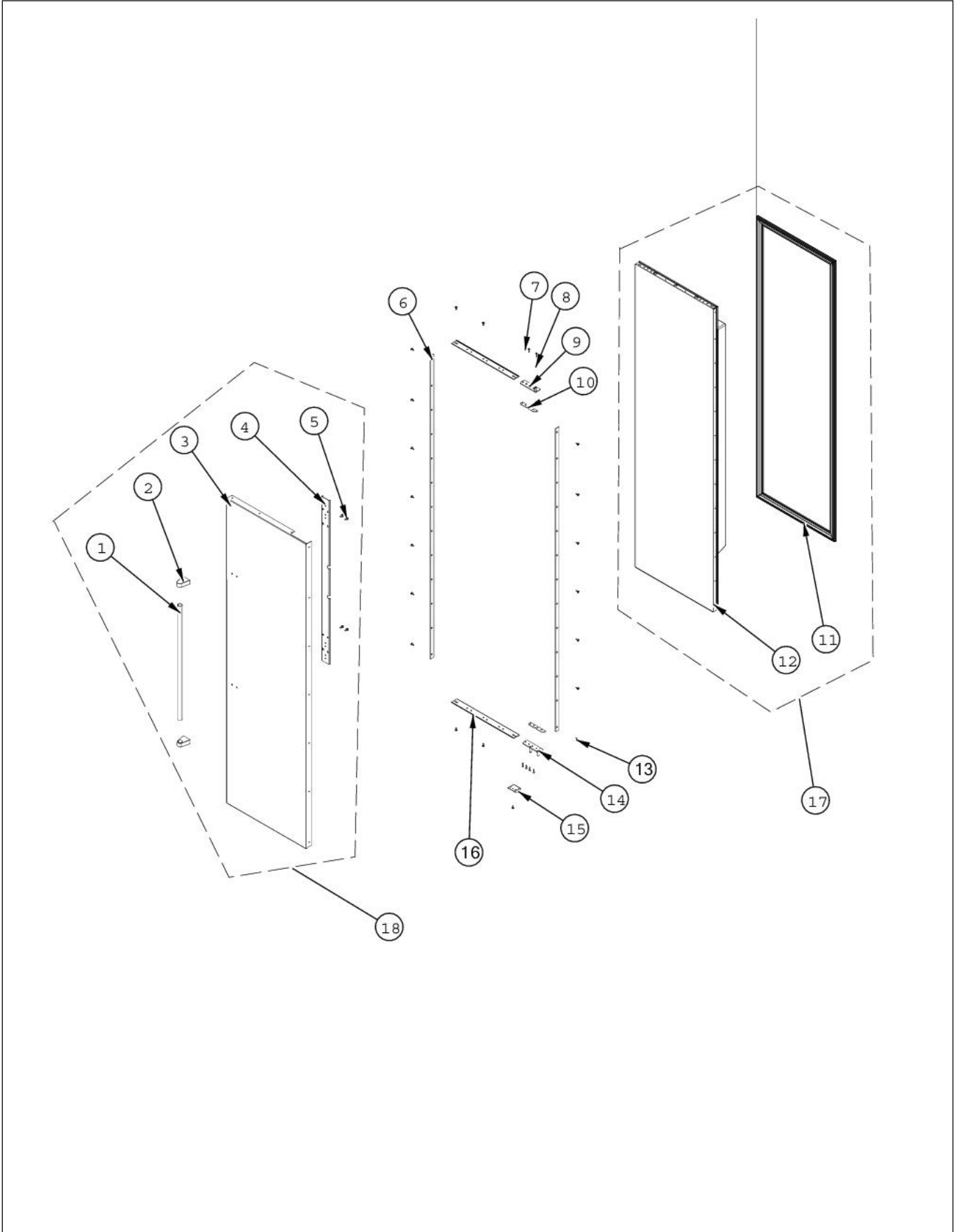
INTERIOR ASSY





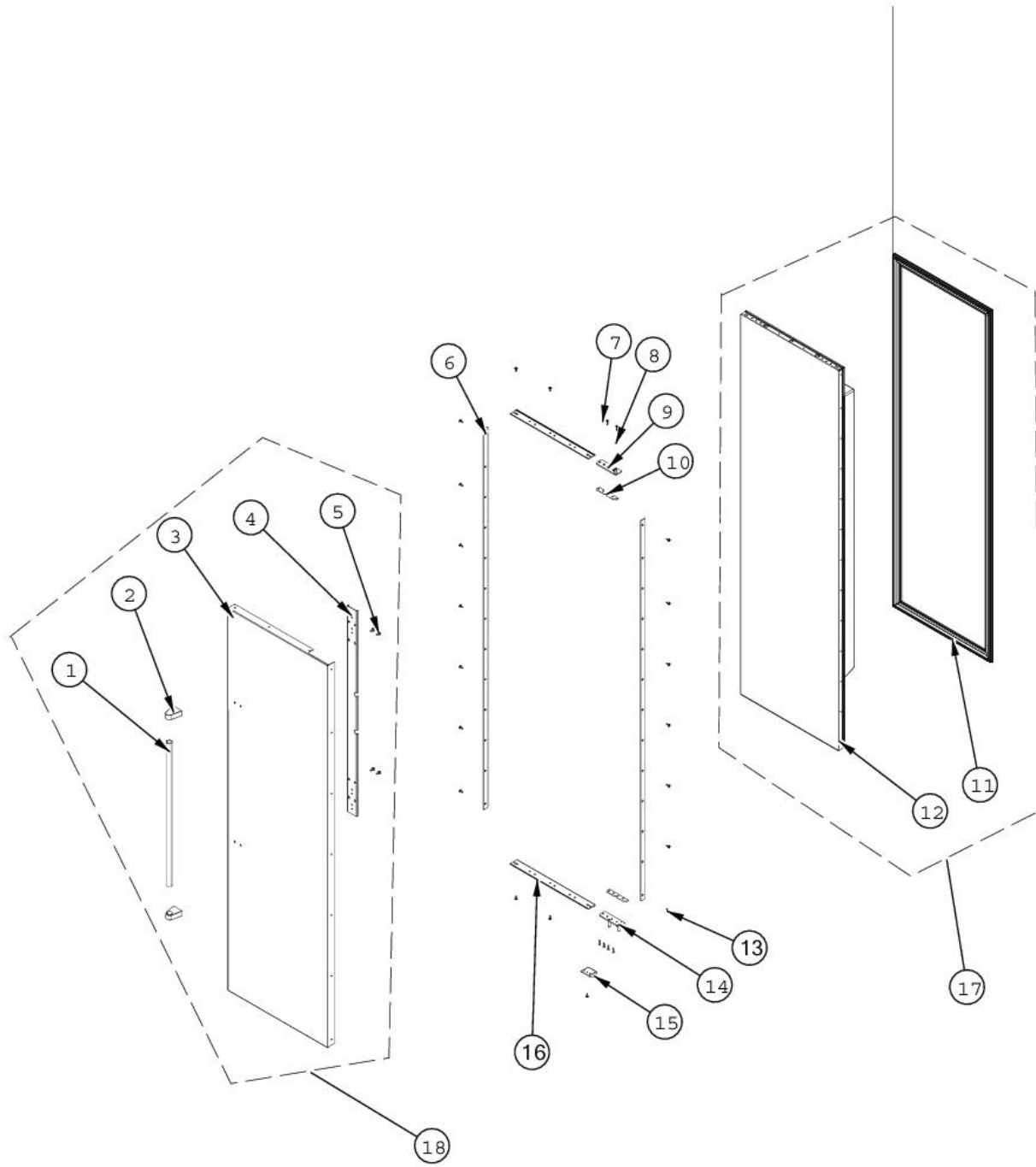
Item	Part No.	Name	Qty	Uom	NOTES
1	M0215318	SCREW-SM	18	EA	
2	PK910123	SIDE TRIM - PRO	2	EA	
NI	PK930299	COLLAR SLEEVE SXS DISP	1	EA	

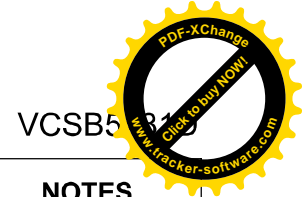
# DOOR ASSY



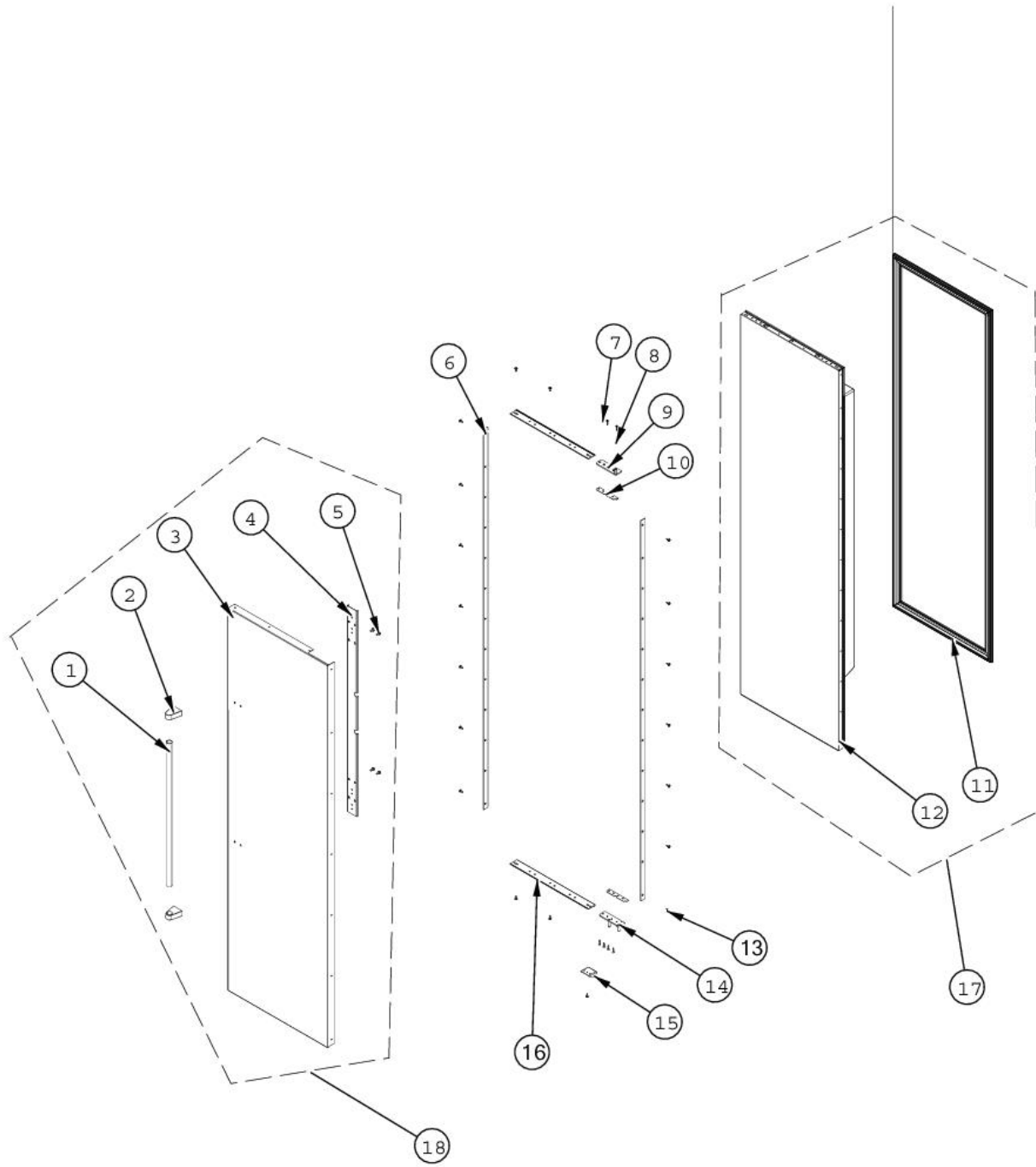


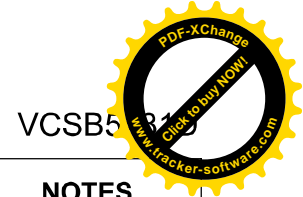
Item	Part No.	Name	Qty	Uom	NOTES
1	012891-000	HANDLE,PRO	1	EA	
2	000268-000	HANDLE ENDCAP	2	EA	
2	000268-100	HANDLE END CAP ASSY - BR	2	EA	
3	036432-000	SKIN, DOOR, SXS 48 PROI FF SS	1	EA	
3	036447-002	SKIN, DOOR, SXS 48 PROI FF BK	1	EA	Not available online / Call for pricing and availability
3	036447-003	SKIN, DOOR, SXS 48 PROI FF BT	1	EA	
3	036447-004	SKIN, DOOR, SXS 48 PROI FF SG	1	EA	Not available online / Call for pricing and availability
3	036447-005	SKIN, DOOR, SXS 48 PROI FF GG	1	EA	Not available online / Call for pricing and availability
3	036447-006	SKIN, DOOR, SXS 48 PRO I FF, WH	1	EA	
3	036447-008	SKIN, DOOR, SXS 48 PROI FF BU	1	EA	
3	036447-009	SKIN, DOOR, SXS 48 PROI FF LE	1	EA	Not available online / Call for pricing and availability
3	036447-010	SKIN, DOOR, SXS 48 PROI FF MJ	1	EA	Not available online / Call for pricing and availability
3	036447-012	SKIN, DOOR, SXS 48 PROI FF VB	1	EA	Not available online / Call for pricing and availability
3	036447-013	SKIN, DOOR, SXS 48 PROI FF CB	1	EA	Not available online / Call for pricing and availability
3	036447-015	SKIN, DOOR, SXS 48 PROI FF PL	1	EA	Not available online / Call for pricing and availability
3	036447-016	SKIN, DOOR, SXS 48 PROI FF CH	1	EA	Not available online / Call for pricing and availability



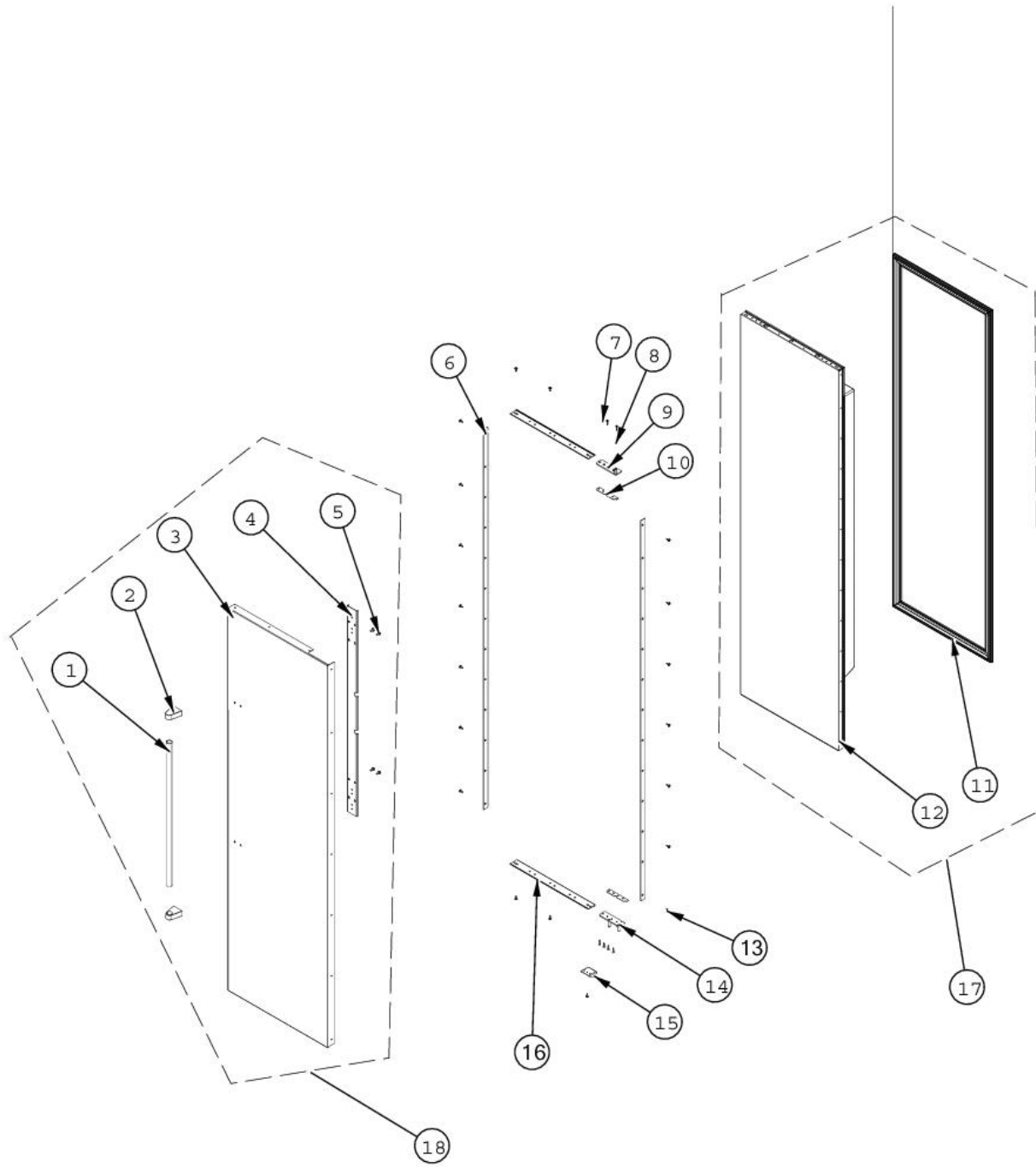


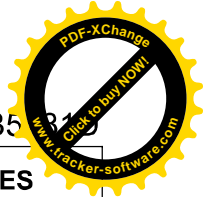
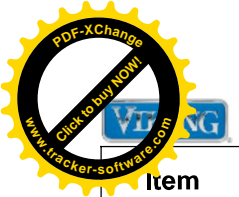
Item	Part No.	Name	Qty	Uom	NOTES
3	036447-017	SKIN, DOOR, SXS 48 PROI FF TP	1	EA	Not available online / Call for pricing and availability
3	036447-018	SKIN, DOOR, SXS 48 PROI FF CW NLA	1	EA	
3	036447-021	SKIN, DOOR, SXS 48 PROI FF SA	1	EA	Not available online / Call for pricing and availability
3	036447-022	SKIN, DOOR, SXS 48 PROI FF SE	1	EA	Not available online / Call for pricing and availability
3	036447-023	SKIN, DOOR, SXS 48 PROI FF IB	1	EA	Not available online / Call for pricing and availability
3	036447-024	SKIN, DOOR, SXS 48 PROI FF AR	1	EA	Not available online / Call for pricing and availability
3	036447-025	SKIN, DOOR, SXS 48 PROI FF RR	1	EA	Not available online / Call for pricing and availability
3	036447-051	SKIN, DOOR, SXS 48 PROI FF CN	1	EA	Not available online / Call for pricing and availability
3	036447-052	SKIN, DOOR, SXS 48 PROI FF DJ	1	EA	Not available online / Call for pricing and availability
3	036447-053	SKIN, DOOR, SXS 48 PROI FF KB	1	EA	Not available online / Call for pricing and availability
3	036447-054	SKIN, DOOR, SXS 48 PROI FF WS	1	EA	Not available online / Call for pricing and availability
4	013328-000	BRKT,HANDLE,SUPPORT,PRO	1	EA	
5	M0204303	SCREW-MACH	4	EA	
6	014581-000	SPACER,TRIM,SXS,AF,AR	2	EA	
7	PD920174	10-32 TORX HEAD SCREW	8	EA	
8	PD020234	SCREW THP 10-32 X .500 SS BO	1	EA	



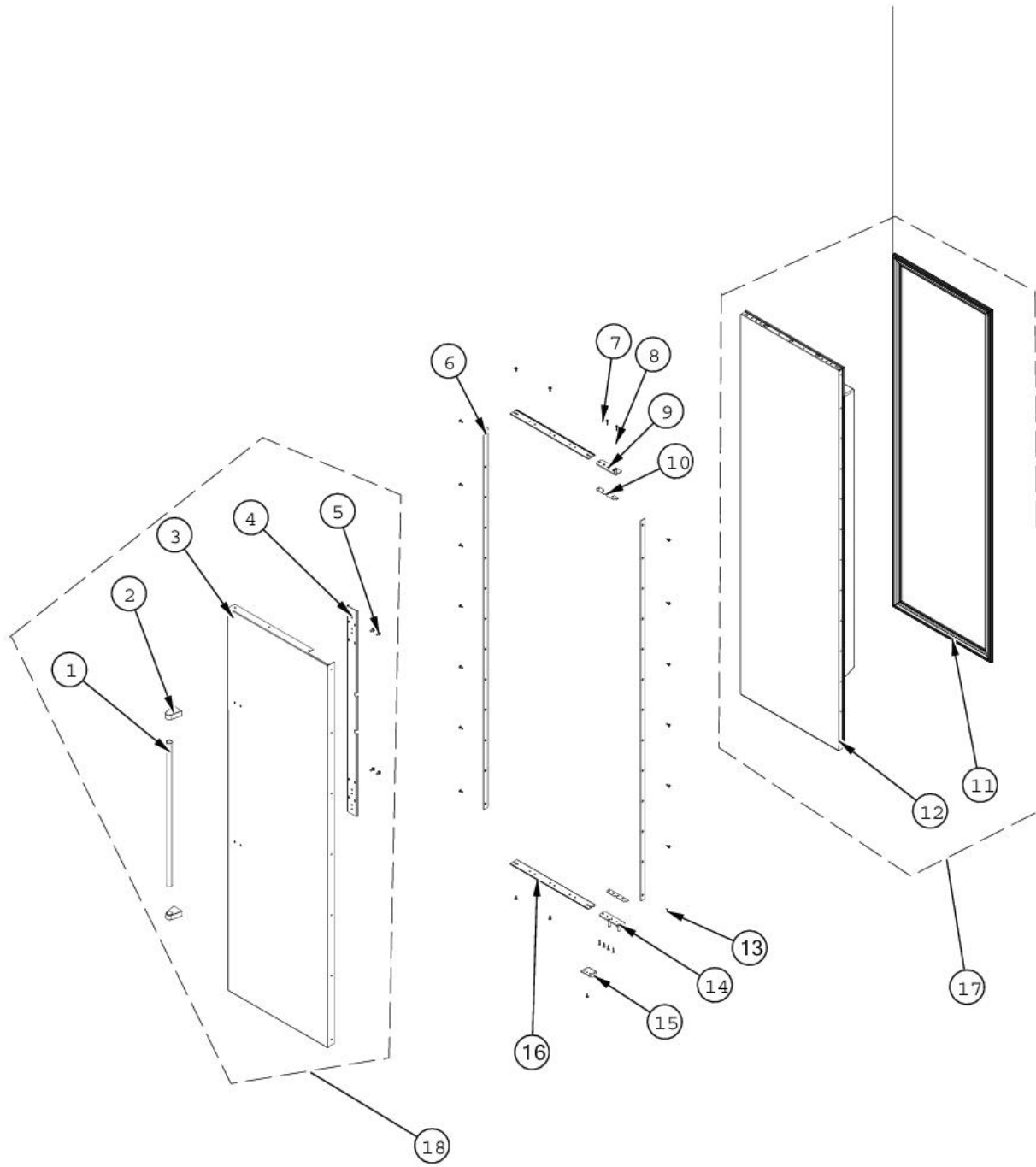


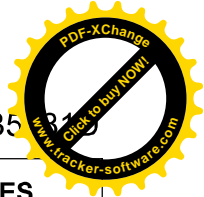
Item	Part No.	Name	Qty	Uom	NOTES
9	PC020278	PIVOT PL ASM RH UP PRO/DES	1	EA	
10	PD040162	SPACER-DOOR HINGE	2	EA	
11	005454-000	GASKET,ASM,48,SXS,FF VID# 602711907-17	1	EA	
12	007047-000	DOOR FOAM ASM SXS 48 FF	1	EA	
13	M0210458	SCREW-SM	14	EA	
14	016181-000	PIVOT PL ASM RH LW PRO/DES	1	EA	
15	PD050019	STRIKER SWITCH DOOR	1	EA	
16	056841-000	TRIM, FF, TOP/BTM, 48	2	EA	
17	007070-000	DOOR ASM 48/48D FF	1	EA	
18	010626-000	SKIN ASM, SXS 48 PROI FF SS	1	EA	
18	009586-002	SKIN ASM, SXS 48 PROI FF BK	1	EA	
18	009586-003	SKIN ASM, SXS 48 PROI FF BT	1	EA	
18	009586-004	SKIN ASM, SXS 48 PROI FF SG	1	EA	
18	009586-005	SKIN ASM, SXS 48 PROI FF GG	1	EA	
18	009586-008	SKIN ASM, SXS 48 PROI FF BU	1	EA	
18	009586-009	SKIN ASM, SXS 48 PROI FF LE	1	EA	
18	009586-010	SKIN ASM, SXS 48 PROI FF MJ	1	EA	
18	009586-012	SKIN ASM, SXS 48 PROI FF VB	1	EA	
18	009586-013	SKIN ASM, SXS 48 PROI FF CB	1	EA	
18	009586-015	SKIN ASM, SXS 48 PROI FF PL	1	EA	
18	009586-016	SKIN ASM, SXS 48 PROI FF CH	1	EA	
18	009586-017	SKIN ASM, SXS 48 PROI FF TP	1	EA	
18	009586-018	SKIN ASM, SXS 48 PROI FF CW NLA	1	EA	
18	009586-021	SKIN ASM, SXS 48 PROI FF SA	1	EA	
18	009586-022	SKIN ASM, SXS 48 PROI FF SE	1	EA	
18	009586-023	SKIN ASM, SXS 48 PROI FF IB	1	EA	
18	009586-024	SKIN ASM, SXS 48 PROI FF AR	1	EA	
18	009586-025	SKIN ASM, SXS 48 PROI FF RR	1	EA	
18	009586-051	SKIN ASM, SXS 48 PROI FF CN	1	EA	Not available online / Call for pricing and availability





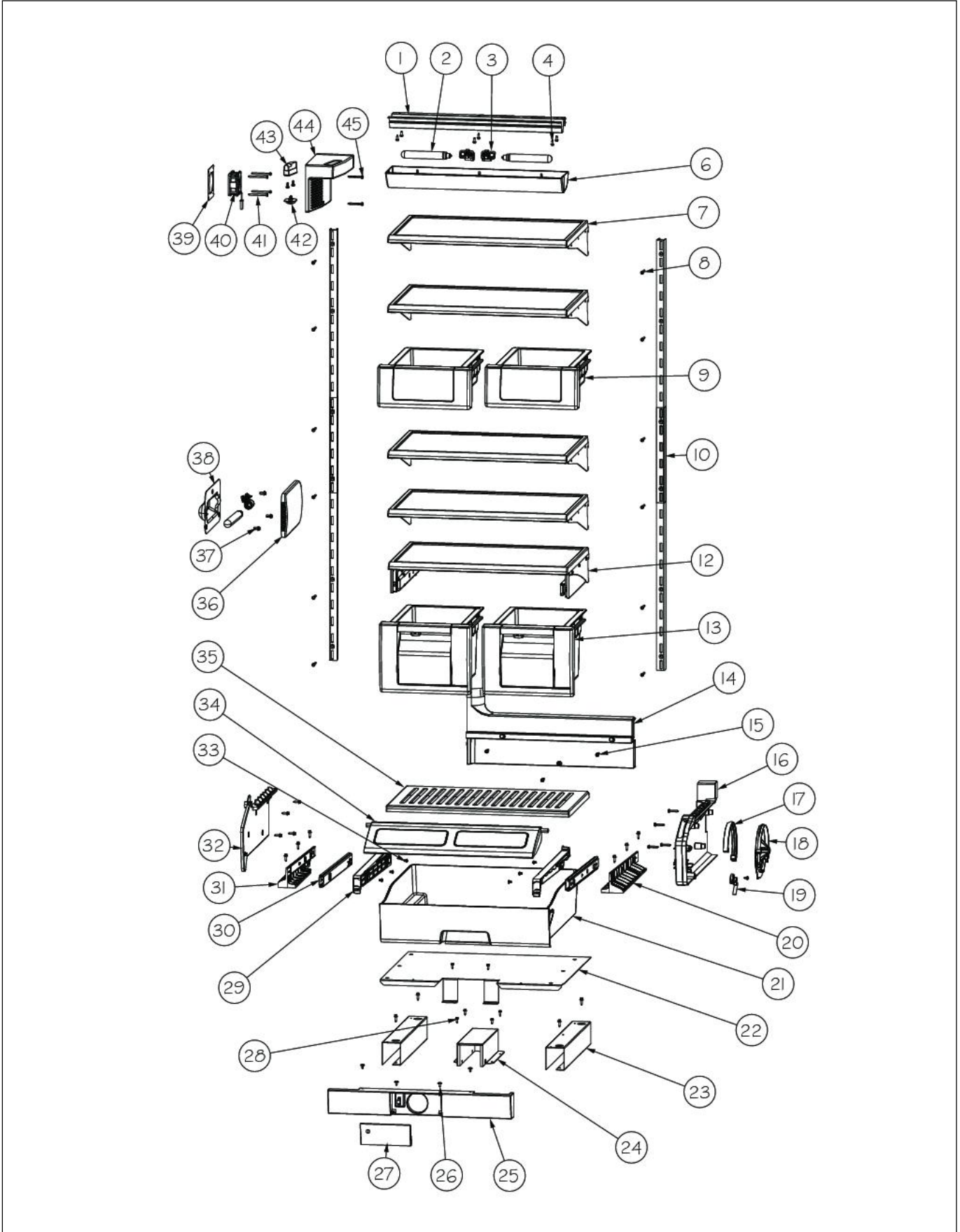
Item	Part No.	Name	Qty	Uom	NOTES
18	009586-052	SKIN ASM, SXS 48 PROI FF DJ	1	EA	Not available online / Call for pricing and availability
18	009586-053	SKIN ASM, SXS 48 PROI FF KB	1	EA	Not available online / Call for pricing and availability
18	009586-054	SKIN ASM, SXS 48 PROI FF WS	1	EA	Not available online / Call for pricing and availability
18	010626-100	SKIN ASM, SXS 48 PROI FF SS/BR	1	EA	
18	009586-102	SKIN ASM, SXS 48 PROI FF BK/BR	1	EA	
18	009586-103	SKIN ASM, SXS 48 PROI FF BT/BR	1	EA	
18	009586-104	SKIN ASM, SXS 48 PROI FF SG/BR	1	EA	
18	009586-105	SKIN ASM, SXS 48 PROI FF GG/BR	1	EA	
18	009586-108	SKIN ASM, SXS 48 PROI FF BU/BR	1	EA	
18	009586-109	SKIN ASM, SXS 48 PROI FF LE/BR	1	EA	
18	009586-110	SKIN ASM, SXS 48 PROI FF MJ/BR	1	EA	
18	009586-112	SKIN ASM, SXS 48 PROI FF VB/BR	1	EA	
18	009586-113	SKIN ASM, SXS 48 PROI FF CB/BR	1	EA	
18	009586-115	SKIN ASM, SXS 48 PROI FF PL/BR	1	EA	
18	009586-116	SKIN ASM, SXS 48 PROI FF CH/BR	1	EA	
18	009586-117	SKIN ASM, SXS 48 PROI FF TP/BR	1	EA	
18	009586-118	SKIN ASM, SXS 48 PROI FF CW/BR	1	EA	
18	009586-121	SKIN ASM, SXS 48 PROI FF SA/BR	1	EA	
18	009586-122	SKIN ASM, SXS 48 PROI FF SE/BR	1	EA	
18	009586-123	SKIN ASM, SXS 48 PROI FF IB/BR	1	EA	

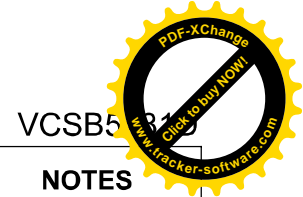




Item	Part No.	Name	Qty	Uom	NOTES
18	009586-124	SKIN ASM, SXS 48 PROI FF AR/BR	1	EA	
18	009586-125	SKIN ASM, SXS 48 PROI FF RR/BR	1	EA	
18	009586-151	SKIN ASM, SXS 48 PROI FF CN/BR	1	EA	Not available online / Call for pricing and availability
18	009586-152	SKIN ASM, SXS 48 PROI FF DJ/BR	1	EA	Not available online / Call for pricing and availability
18	009586-153	SKIN ASM, SXS 48 PROI FF KB/BR	1	EA	Not available online / Call for pricing and availability
18	009586-154	SKIN ASM, SXS 48 PROI FF WS/BR	1	EA	Not available online / Call for pricing and availability

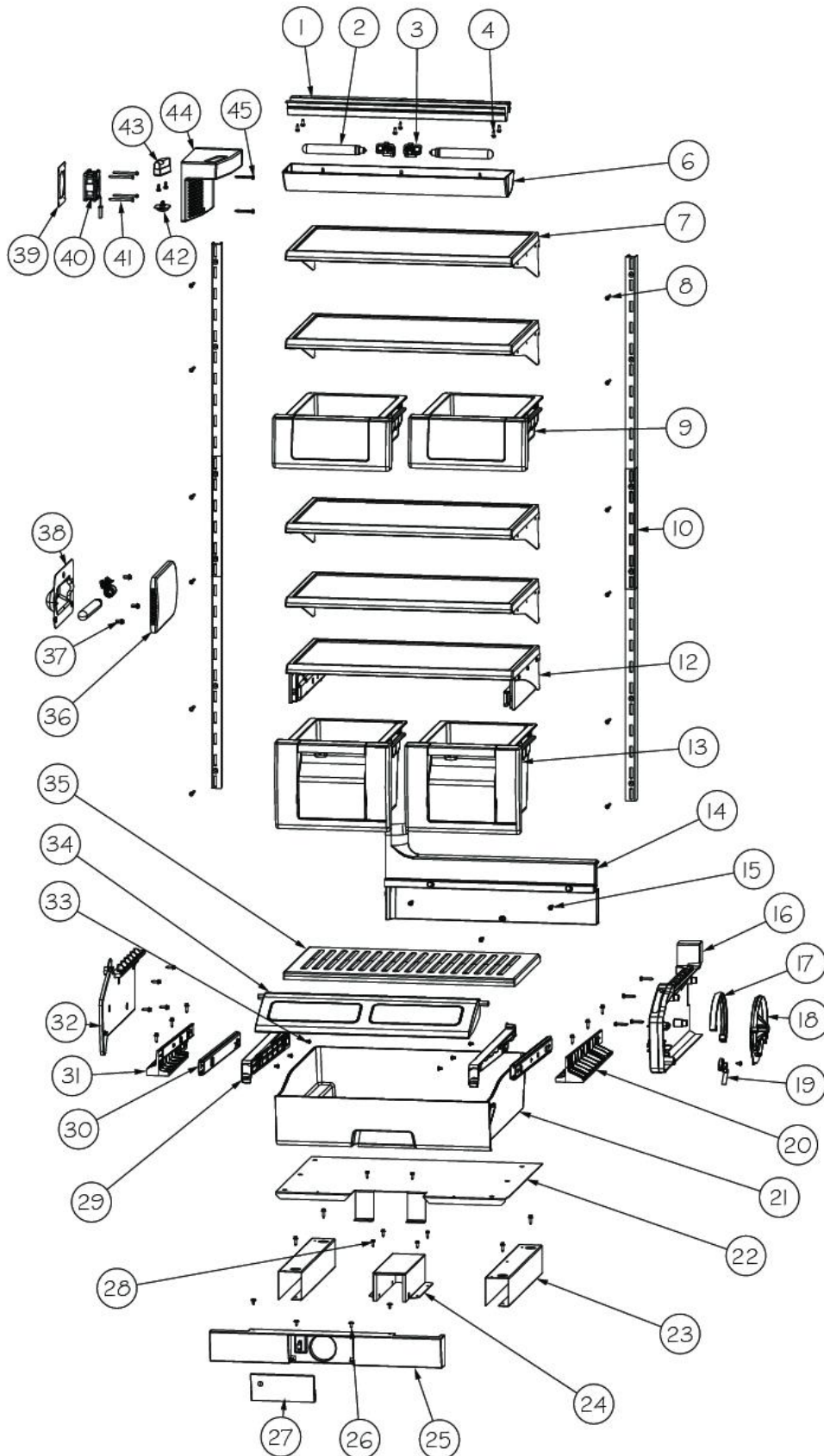
# INTERIOR ASSY

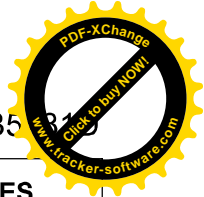




VCSB5

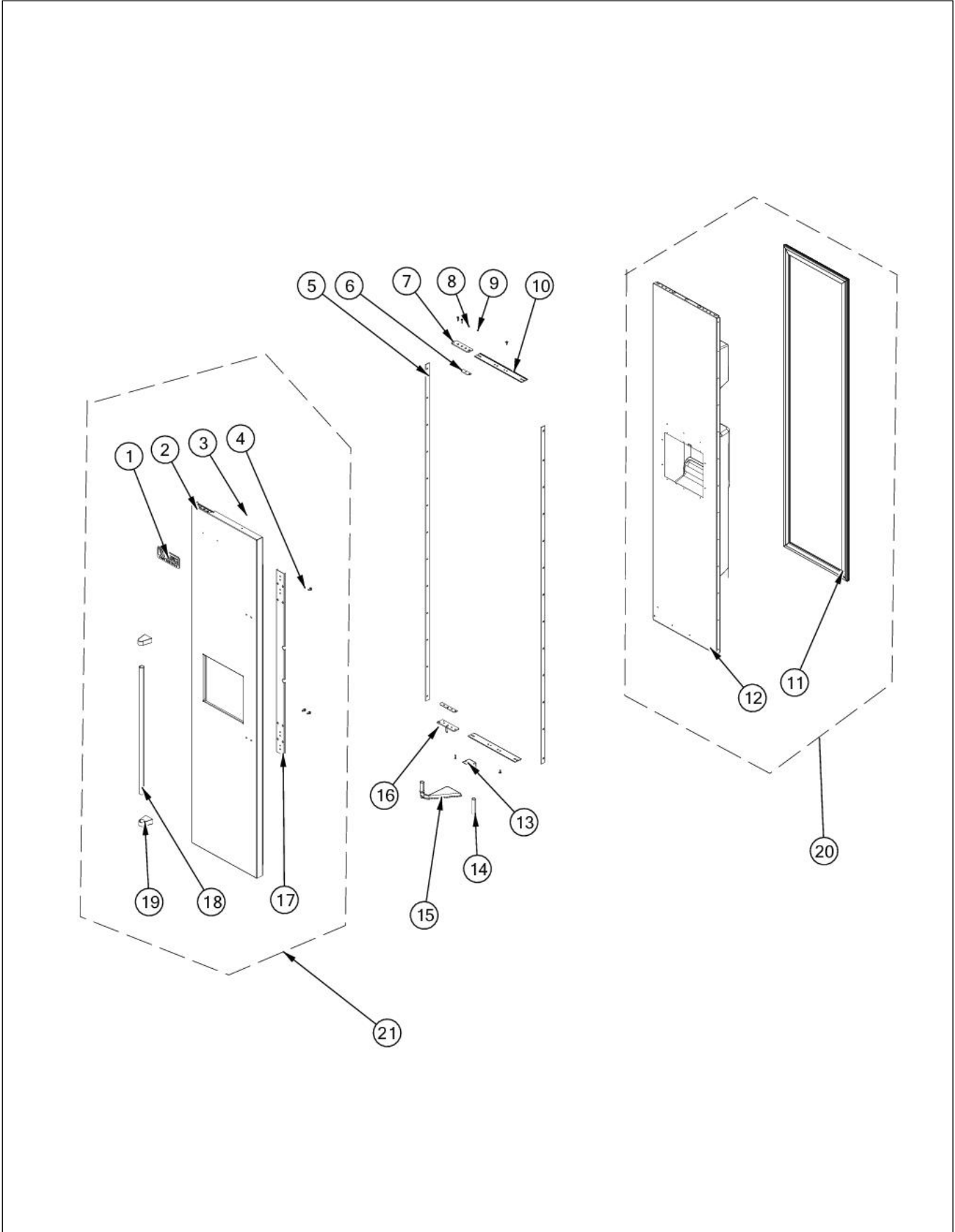
Item	Part No.	Name	Qty	Uom	NOTES
1	L2099474	BRACKET LIGHT SXS 42 FF	1	EA	
2	004528-000	LAMP, 40 WATT BLUE LIGHT	3	EA	
3	PE950125	LIGHT SOCKET	3	EA	
4	PD020195	SCR 8-18 X 5/8	24	EA	
6	020120-000	COVER LIGHT ASM SXS 42 FF	1	EA	
7	043623-000	SHELF ASM GLASS SXS 42 FF	2	EA	
8	M0238535	SCREW-SM	12	EA	
9	G32911938	DRAWER DELI ASM SXS 48 AR 30	1	EA	
10	PM910227	LADDER RS REF	2	EA	
12	G5099965	SHELF AND SLIDE ASM SXS 42	2	EA	
13	012259-000	DRAWER PRODUCE ASM AR 30/48	2	EA	
14	PK930171	DUCT MEAT SAVOR SXS 42 REAR	1	EA	
15	M0211021	SCREW-SM	3	EA	
16	044232-000	DUCT MEAT SAVOR (R)	1	EA	
17	PK930172	COVER CONTROL MEAT SAVOR	1	EA	
18	044384-000	DIAL CONTROL MEAT SAVOR	1	EA	
19	PM910334	ROLLER TENSION	1	EA	
20	PK930173	SUPPORT SLIDE MEAT SAVOR SXS 42/48 R	1	EA	
21	PK930309	DRAWER MEAT SAVOR AR 30 SXS 48	1	EA	
22	L2099251	FLOOR FALSE 42 SXS DISP	1	EA	
23	K20913096	BRACKET FALSE FLOOR	2	EA	
24	L20915031	COVER WATER FILTER 42/48 DISP	1	EA	
25	PK930237	COVER FALSE FRONT 42 SXS DISP	1	EA	
26	PD020032	SRW-8(A)X3/8"PH.WFR HD 7/16DIA*NICL	4	EA	
27	PK930313	COVER WATER FILTER SXS DISP	1	EA	
28	PD020194	SCR, HEX SRTD WSHR HD, #8-18 X 1/2	4	EA	
29	PK930176	SUPPORT DRAWER MEAT SAVOR 42/48 L	1	EA	

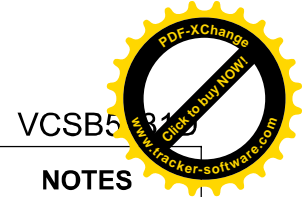
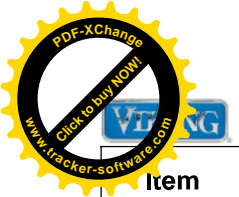




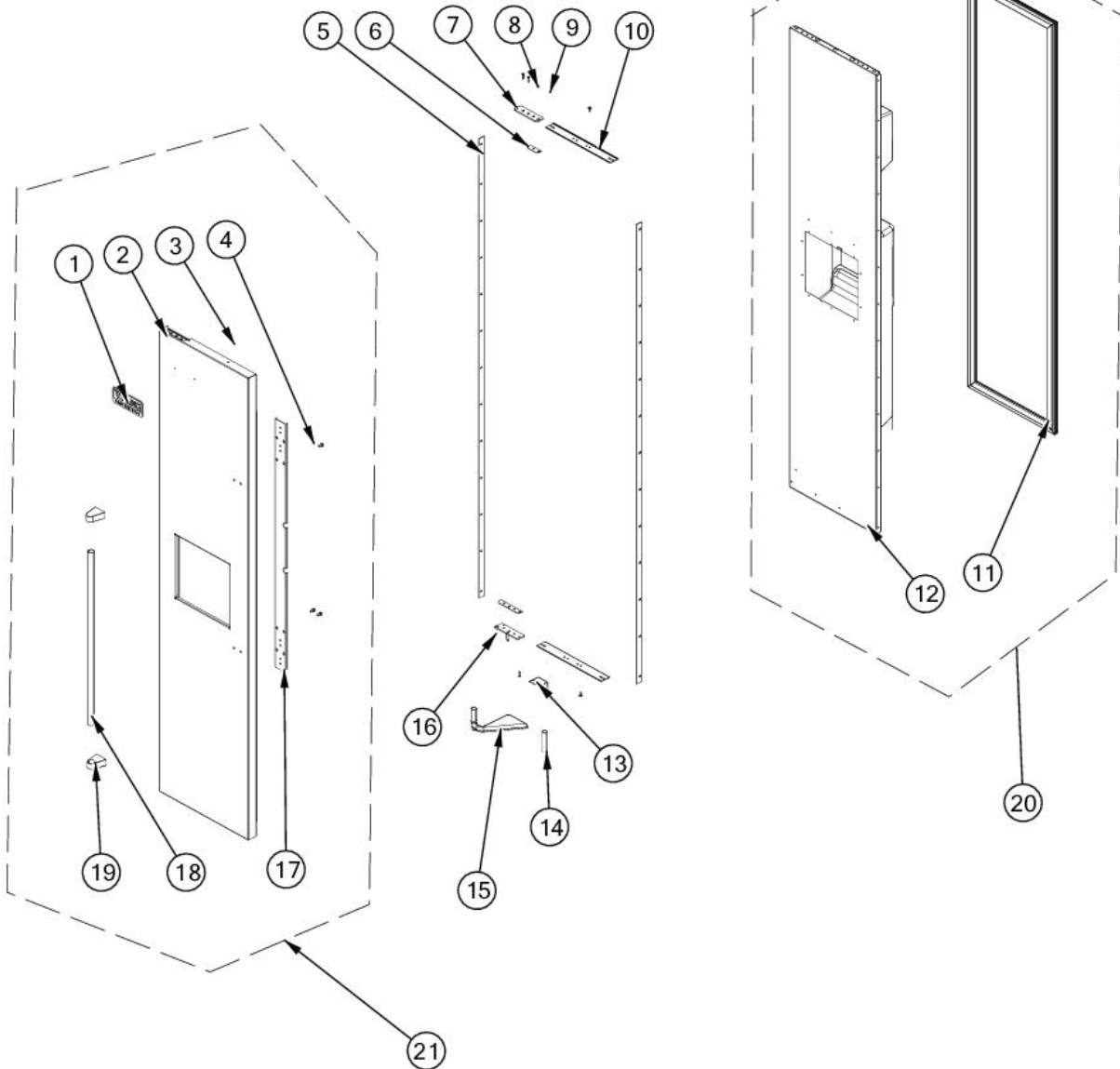
Item	Part No.	Name	Qty	Uom	NOTES
30	PM910288	SLIDE MEAT SAVOR L	1	EA	
Comments for Part Num. PM910288					
profixappliances@gmail.com on May 3, 2017					
ITEM # 5 SHOULD BE PK930288-DOOR MEATSAVOR ASM AR/BM 36					
31	PK930174	SUPPORT SLIDE MEAT SAVOR SXS 42/48 L	1	EA	
32	PK030435	DUCT MEATSAVOR SXS 48 LEFT	1	EA	
33	PD920162	SCR 8-16 PLASTITE PNP 1/4 S	2	EA	
34	045692-000	DOOR MEATSAVOR ASM AR 30 SXS 48	1	EA	
35	PK930308	SHELF MEAT SAVOR AR 30 SXS 48	1	EA	
36	PK930346	COVER LIGHT	2	EA	
37	M0580007	GROMMET-SCREW	3	EA	
38	10270203	HOUSING-LIGHT V10270203	2	EA	
39	007302-000	BRACKET,FAN	1	EA	
40	013112-000	NOISE REDUCTION FAN KIT	1	EA	
41	M0221913	SCREW-SM	4	EA	
42	C8983701	THERMISTOR	1	EA	
43	010093-000	PLASMA CLUSTER	1	EA	
44	012312-000	FAN COVER SXS	1	EA	
45	PD020188	SCR 8-18 BT HXWS 1 1/2	2	EA	

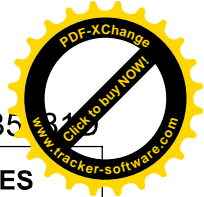
# DOOR ASSY



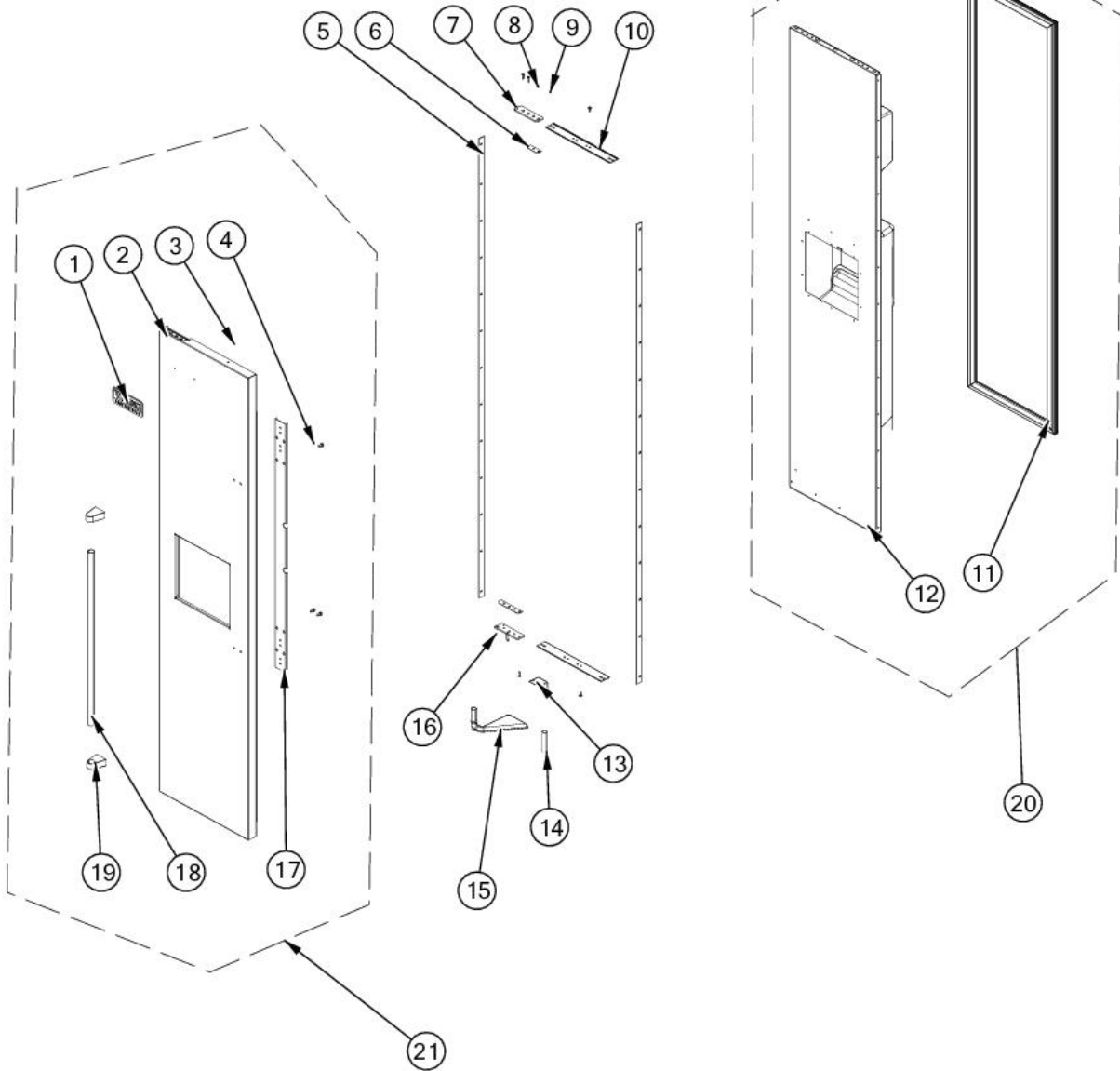


Item	Part No.	Name	Qty	Uom	NOTES
1	PE010030	LOGO 6" (VGRC) *BK*	1	EA	
1	PE010068	LOGO 6" (VGRC) BK/BR	1	EA	
2	037445-000	SKIN, DOOR, SXS 42D PROI FZ SS	1	EA	
2	037495-006	SKIN, DOOR, SXS 48D PROI FZ, WH	1	EA	
3	PD030006	CAPPED WASHER PAL NUT	2	EA	
4	M0204303	SCREW-MACH	4	EA	
5	014581-000	SPACER, TRIM, SXS, AF, AR	2	EA	
6	PD040162	SPACER-DOOR HINGE	2	EA	
7	033780-000	PIVOT PLATE ASM LH UP PRO DES SXS, AFAR	1	EA	
8	PD920174	10-32 TORX HEAD SCREW	8	EA	
9	M0210458	SCREW-SM	5	EA	
10	056842-000	TRIM, FRZ, TOP/BTM, 48	2	EA	
11	005456-000	GASKET, ASM, 48, SXS, FZ DISP VID# 602712917-17	1	EA	
12	007052-000	DOOR FOAM ASM SXS 48D FZ	1	EA	
13	PD050019	STRIKER SWITCH DOOR	1	EA	
14	PB020301	STEM ELBOW 1/4 V# PP220808W	1	EA	
15	PK930297	ELBOW CHASE SXS DISP	1	EA	
16	016182-000	PIVOT PL ASM LH LW PRO/DES	1	EA	
17	013328-000	BRKT, HANDLE, SUPPORT, PRO	1	EA	
18	012891-000	HANDLE, PRO	1	EA	
19	000268-000	HANDLE ENDCAP	2	EA	
19	000268-100	HANDLE END CAP ASSY - BR	2	EA	
20	007078-000	DOOR ASM 48D FZ	1	EA	
21	010652-000	DOOR, SKIN, ASM, SXS 48D FZ PROI SS	1	EA	
21	009728-002	DOOR, ASM, SXS 48D PROI FZ BK	1	EA	
21	009728-003	DOOR, ASM, SXS 48D PROI FZ BT	1	EA	
21	009728-004	DOOR, ASM, SXS 48D PROI FZ SG	1	EA	
21	009728-005	DOOR, ASM, SXS 48D PROI FZ GG	1	EA	





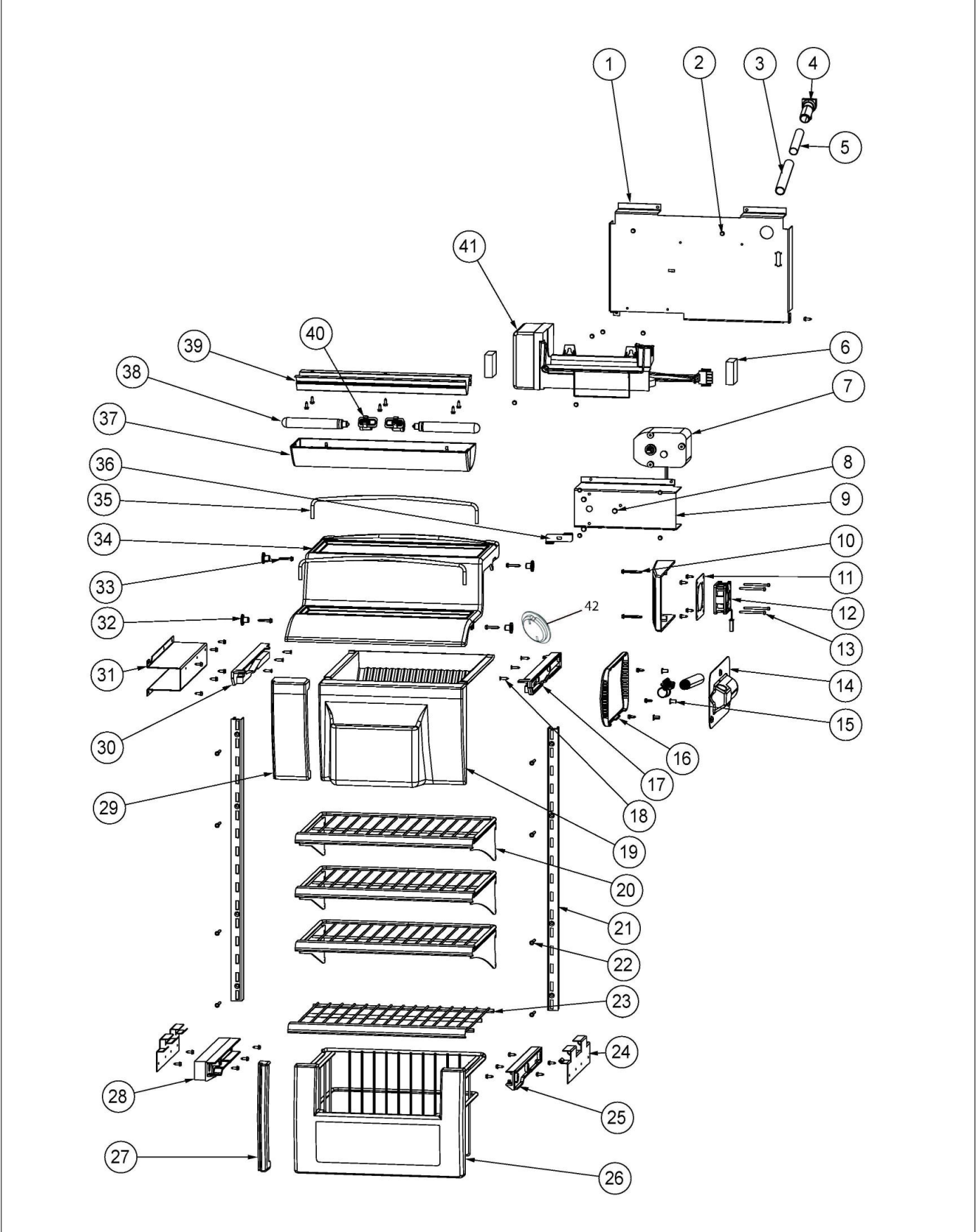
Item	Part No.	Name	Qty	Uom	NOTES
21	009728-008	DOOR, ASM, SXS 48D PROI FZ BU	1	EA	
21	009728-009	DOOR, ASM, SXS 48D PROI FZ LE	1	EA	
21	009728-010	DOOR, ASM, SXS 48D PROI FZ MJ	1	EA	
21	009728-012	DOOR, ASM, SXS 48D PROI FZ VB	1	EA	
21	009728-013	DOOR, ASM, SXS 48D PROI FZ CB	1	EA	
21	009728-015	DOOR, ASM, SXS 48D PROI FZ PL	1	EA	
21	009728-016	DOOR, ASM, SXS 48D PROI FZ CH	1	EA	
21	009728-017	DOOR, ASM, SXS 48D PROI FZ TP	1	EA	
21	009728-018	DOOR, ASM, SXS 48D PROI FZ CW NLA	1	EA	
21	009728-021	DOOR, ASM, SXS 48D PROI FZ SA	1	EA	
21	009728-022	DOOR, ASM, SXS 48D PROI FZ SE	1	EA	
21	009728-023	DOOR, ASM, SXS 48D PROI FZ IB	1	EA	
21	009728-024	DOOR, ASM, SXS 48D PROI FZ AR	1	EA	
21	009728-025	DOOR, ASM, SXS 48D PROI FZ RR	1	EA	
21	009728-102	DOOR, ASM, SXS 48D PROI FZ BK/BR	1	EA	
21	009728-103	DOOR, ASM, SXS 48D PROI FZ BT/BR	1	EA	
21	009728-104	DOOR, ASM, SXS 48D PROI FZ SG/BR	1	EA	
21	009728-105	DOOR, ASM, SXS 48D PROI FZ GG/BR	1	EA	
21	009728-108	DOOR, ASM, SXS 48D PROI FZ BU/BR	1	EA	
21	009728-109	DOOR, ASM, SXS 48D PROI FZ LE/BR	1	EA	
21	009728-110	DOOR, ASM, SXS 48D PROI FZ MJ/BR	1	EA	
21	009728-112	DOOR, ASM, SXS 48D PROI FZ VB/BR	1	EA	

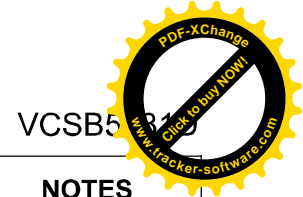




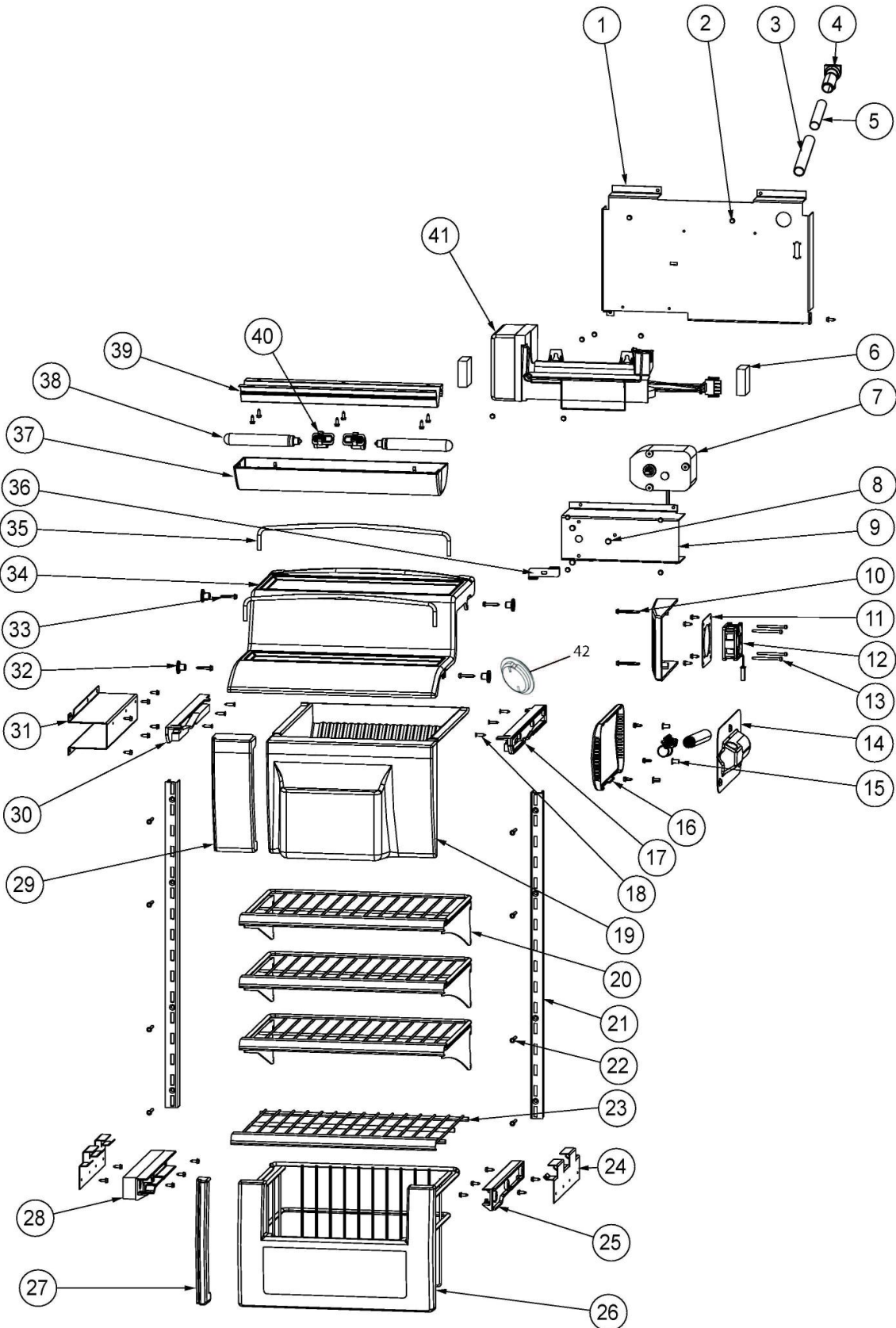
Item	Part No.	Name	Qty	Uom	NOTES
21	009728-113	DOOR, ASM, SXS 48D PROI FZ CB/BR	1	EA	
21	009728-115	DOOR, ASM, SXS 48D PROI FZ PL/BR	1	EA	
21	009728-116	DOOR, ASM, SXS 48D PROI FZ CH/BR	1	EA	
21	009728-117	DOOR, ASM, SXS 48D PROI FZ TP/BR	1	EA	
21	009728-118	DOOR, ASM, SXS 48D PROI FZ CW/BR	1	EA	
21	009728-121	DOOR, ASM, SXS 48D PROI FZ SA/BR	1	EA	
21	009728-122	DOOR, ASM, SXS 48D PROI FZ SE/BR	1	EA	
21	009728-123	DOOR, ASM, SXS 48D PROI FZ IB/BR	1	EA	
21	009728-124	DOOR, ASM, SXS 48D PROI FZ AR/BR	1	EA	
21	009728-125	DOOR, ASM, SXS 48D PROI FZ RR/BR	1	EA	

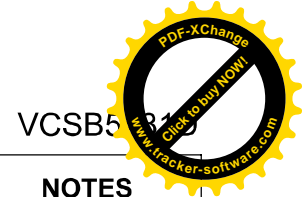
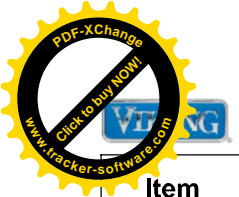
# INTERIOR ASSY





Item	Part No.	Name	Qty	Uom	NOTES
1	L2097158WH	COVER UPPER EVAP	1	EA	
2	PD020194	SCR, HEX SRTD WSHR HD, #8-18 X 1/2	41	EA	
3	015813-000	EXT-FILL TUBE	1	EA	
4	10276601	ELBOW-FILLER TUBE	1	EA	
5	G5096419	FILL TUBE ASSY 10942511	1	EA	
<p>Comments for Part Num. G5096419</p> <p>bradleysapplianceservice@shaw.ca on May 11, 2018            This part G5096419 does NOT come with the aluminum tube.            If aluminum tube is required, order 005899-000 and cut to size.</p>					
Not Shown	NOTE	BEFORE 6/12/2012		EA	
5	029418-000	FILL TUBE DISP	1	EA	
Not Shown	NOTE	AFTER 6/12/2012		EA	
6	PB970176	GASKET UPPER EVAP COVER	2	EA	
7	PE950158	Motor Auger	1	EA	
8	PD020191	SCR. #10 PLAS HXW 1/2 S	1	EA	
9	C90910713WH	BRACKET AUGER MOTOR	1	EA	
10	PD020188	SCR 8-18 BT HXWS 1 1/2	2	EA	
11	007302-000	BRACKET,FAN	1	EA	
12	013112-000	NOISE REDUCTION FAN KIT	1	EA	
13	M0221913	SCREW-SM	4	EA	
14	10270203	HOUSING-LIGHT V10270203	1	EA	
15	M0580007	GROMMET-SCREW	3	EA	
16	PK930346	COVER LIGHT	1	EA	
17	PK930265	GLIDE R FZ	1	EA	
18	M0213503	SCREW-SM	6	EA	
19	019144-000	ICE BUCKET ASSY	1	EA	
<p>Comments for Part Num. 019144-000</p> <p>gboltz@VikingRange.com on Mar 28, 2017            See parts bulletin 2017-03P ice bucket helix replacement</p>					
20	PM910411	SHELF WIRE AF 36	3	EA	

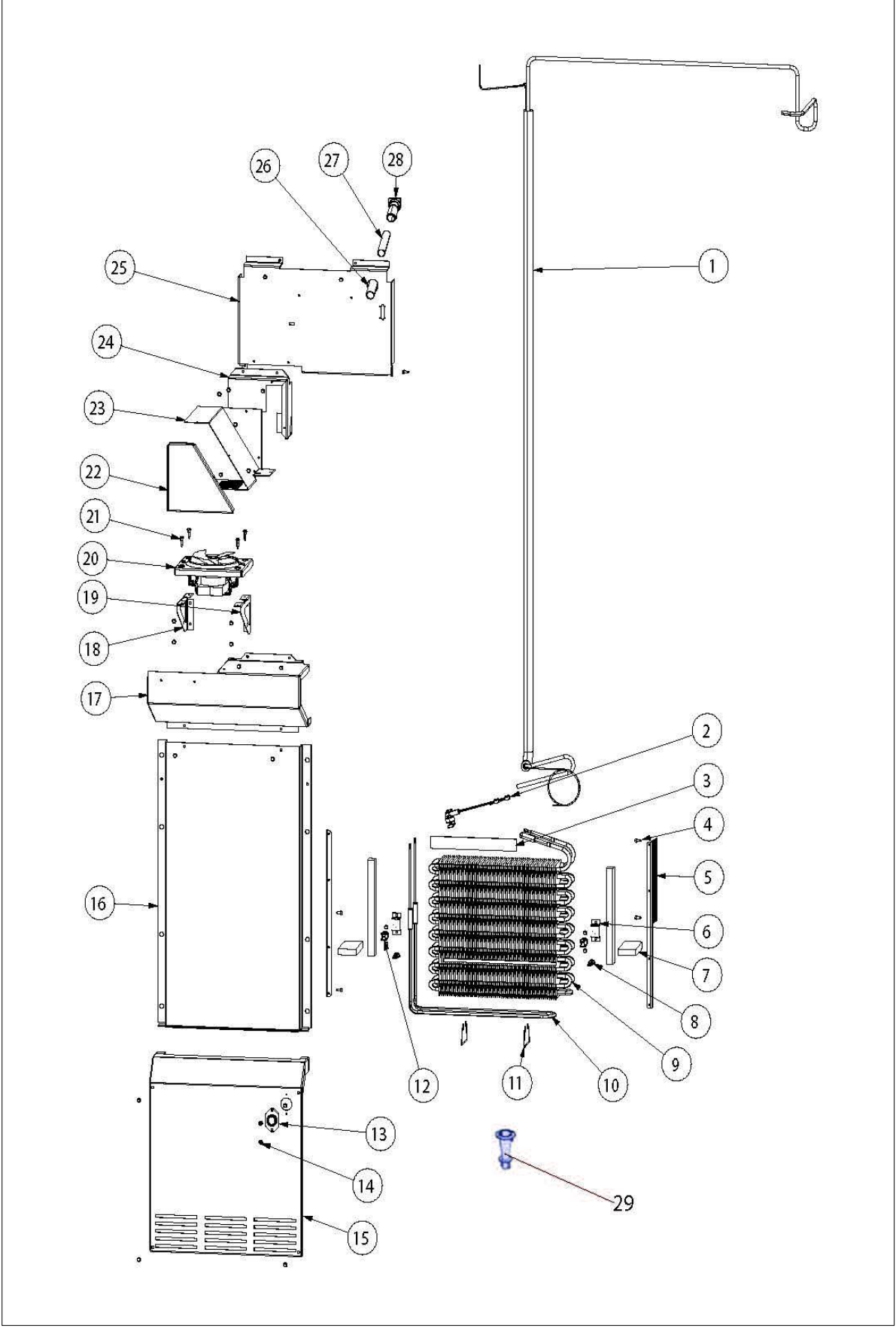


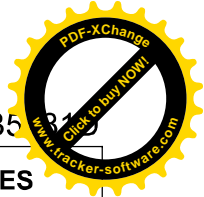
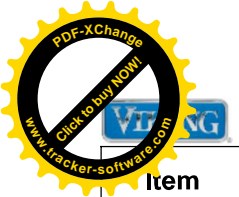


VCSB5

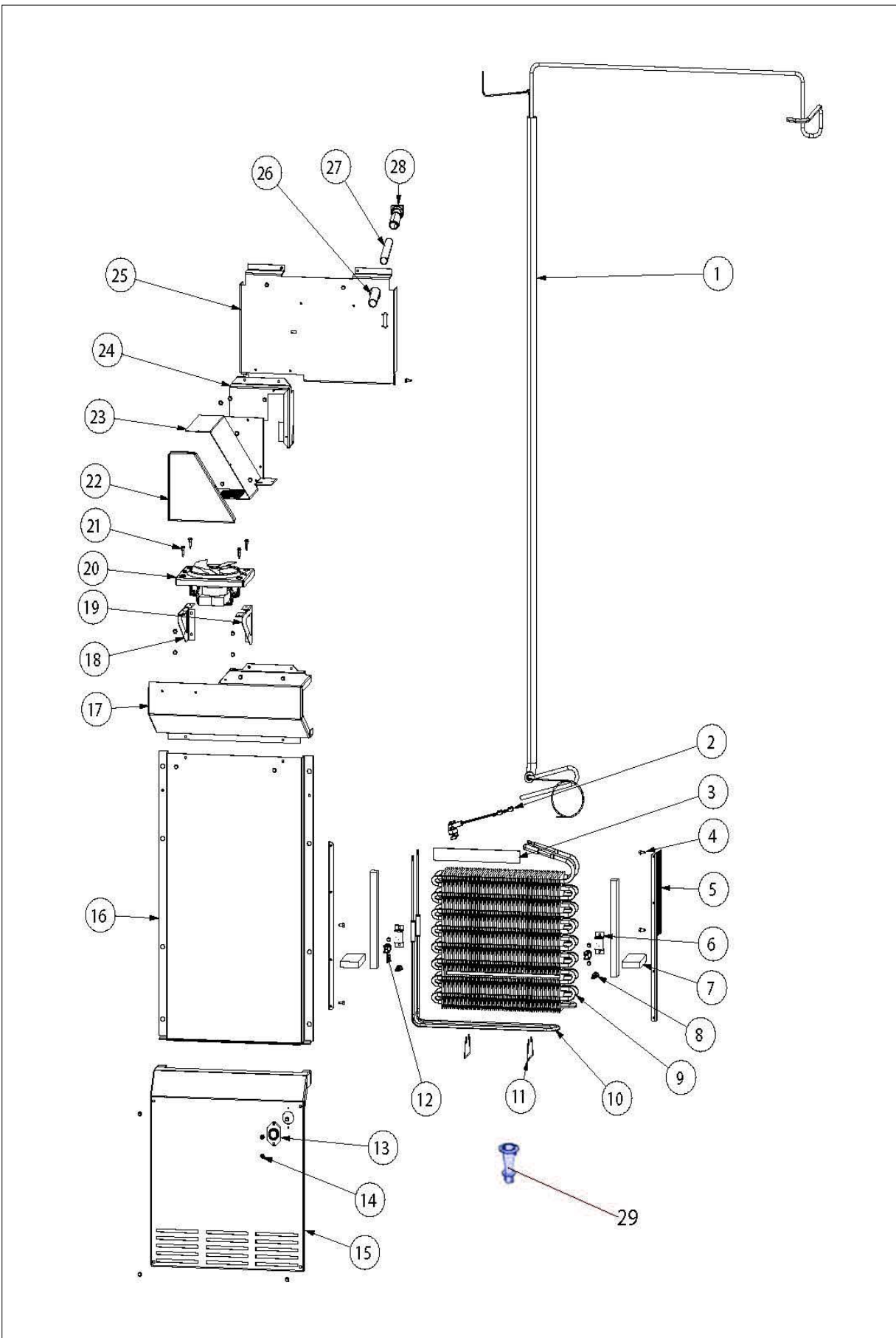
Item	Part No.	Name	Qty	Uom	NOTES
21	PM910375	LADDER R/L FZ	2	EA	
22	M0238535	SCREW-SM	6	EA	
23	PM910231	BASKET FZ	1	EA	
24	L20910067	FZ SHELF BRACKET	2	EA	
25	PK930074	GLIDE SXS 48 FZ R	1	EA	
26	PM910190	BASKET ASM FZ	1	EA	
27	PK930107	CLOSEOUT FZ SIDE DISP	1	EA	
28	PK930075	GLIDE SXS 48 FZ L	1	EA	
29	PK930096	CLOSEOUT - ICE DISPENSER	1	EA	
30	PK930266	GLIDE L FZ	1	EA	
31	C20910027	SUPPORT LS ICE BUCKET	1	EA	Not available online / Call for pricing and availability
32	12258501	SUPPORT-SHELF	4	EA	
33	M0211021	SCREW-SM	4	EA	
34	PK930264	SHELF COVER	1	EA	
35	PM910435	RETAINER,W	2	EA	
36	B20911863	Driver- Ice Bucket RNG	1	EA	
37	020117-000	COVER LIGHT ASM SXS 42 FZ	1	EA	
38	004528-000	LAMP, 40 WATT BLUE LIGHT	3	EA	
39	L2099475	BRACKET LIGHT SXS FZ	1	EA	
40	PE950125	LIGHT SOCKET	3	EA	
41	G50911855	ICE MAKER ASM, DISP, NLA order components, see TR-0023B-SP	1	EA	
<p>Comments for Part Num. G50911855</p> <p>estrotman@middlebyresidential.com on Aug 24, 2015  Sub part # 002252-000  bradleysapplianceservice@shaw.ca on Sep 1, 2016  SERVICE BULLETIN: TR-0023B-SP  SUBS TO:  002252-000 ICE MAKER MODULE  002251-000 ICE MAKER BAIL ARM  002253-000 ICE MAKER WIRE HARNESS</p>					
42	PM910331C	CAP, HELIX	1	EA	

# CW SIDE ASSY



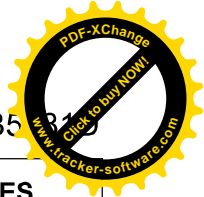


Item	Part No.	Name	Qty	Uom	NOTES
1	053301-000	HEAT EXCHANGER ASM SXS 48	1	EA	
2	058966-000	THERMOSTAT DEFROST TERMINATOR	1	EA	
3	A3189370	GASKET-FOAM VA3189370	3	EA	
4	PD020194	SCR, HEX SRTD WSHR HD, #8-18 X 1/2	26	EA	
5	K2096461	BRKT-EVAP COVER 12234801	2	EA	
6	K2096456	BRKT-EVAP CLIP 12215101	2	EA	
7	10629001	BLOCK-R AIR COIL RED	2	EA	
8	10527401	CLIP-EVAP	2	EA	
9	PM910206	EVAPORATOR SXS 48	1	EA	
10	PJ910031	HEATER EVAP SXS	1	EA	
11	10428101	CLIP-EVAP HTR V10428101	2	EA	
12	10623003	CLIP-EVAP	2	EA	
13	C8983701	THERMISTOR	1	EA	
14	M0211014	SCREW-SM	1	EA	Not available online / Call for pricing and availability
15	L20910054	COVER LOWER EVAP	1	EA	
16	L20910057	COVER CENTER EVAP	1	EA	
17	L2098028	COVER EVAP MOTOR	1	EA	Not available online / Call for pricing and availability
18	K2096458	BRKT-L-EVAP-FAN 12223102	1	EA	
19	K2096457	BRKT-R-EVAP FAN 12223101	1	EA	
20	G5098660	FAN EVAP ASM PANASONIC	1	EA	
21	M0238859	SCREW-SHLDR	4	EA	
22	L20910075	COVER EVAP FAN	1	EA	
23	L20914114	FAN COVER (FORMED)	1	EA	
24	L20914115	FAN BRACKET (FORMED)	1	EA	
25	L2097158WH	COVER UPPER EVAP	1	EA	
26	PB92020	EXT FILL TUBE	1	EA	Not available online / Call for pricing and availability
27	029418-000	FILL TUBE DISP	1	EA	



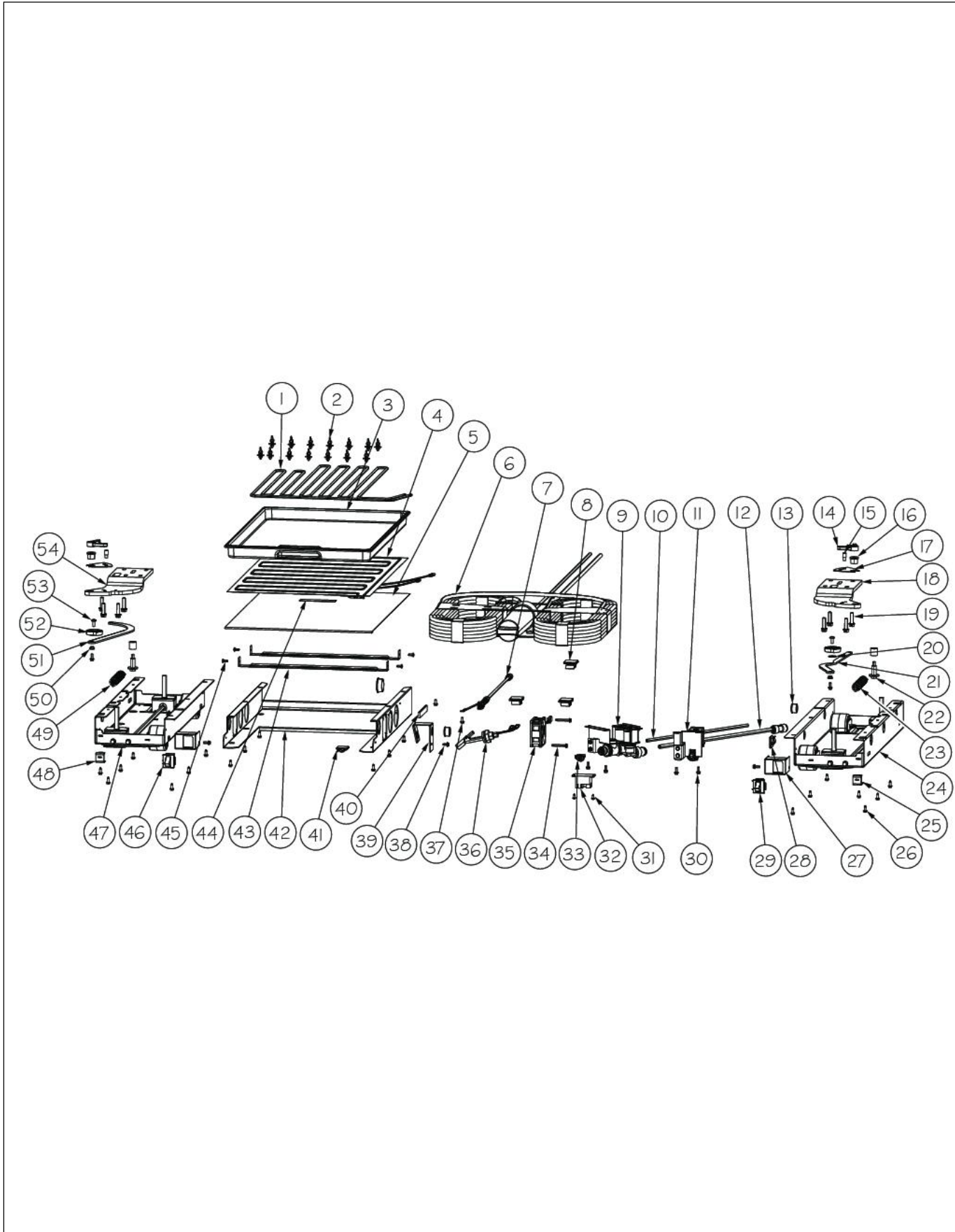


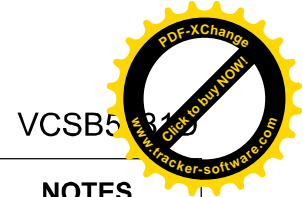
VCSB5



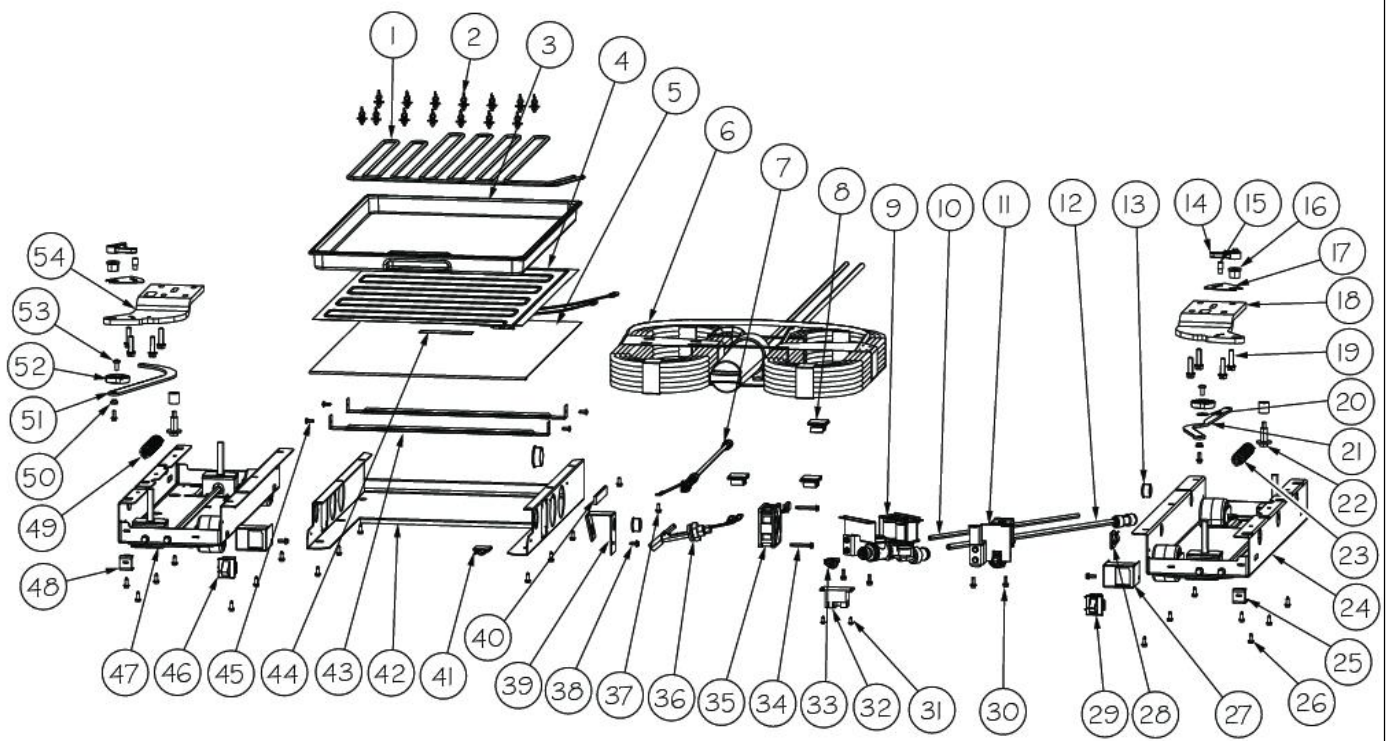
Item	Part No.	Name	Qty	Uom	NOTES
28	10276601	ELBOW-FILLER TUBE	1	EA	
29	PK030540	DRAIN TUBE	1	EA	

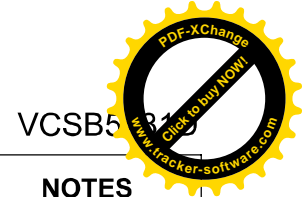
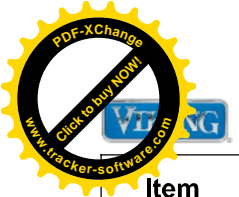
# POWER UNIT ASSY



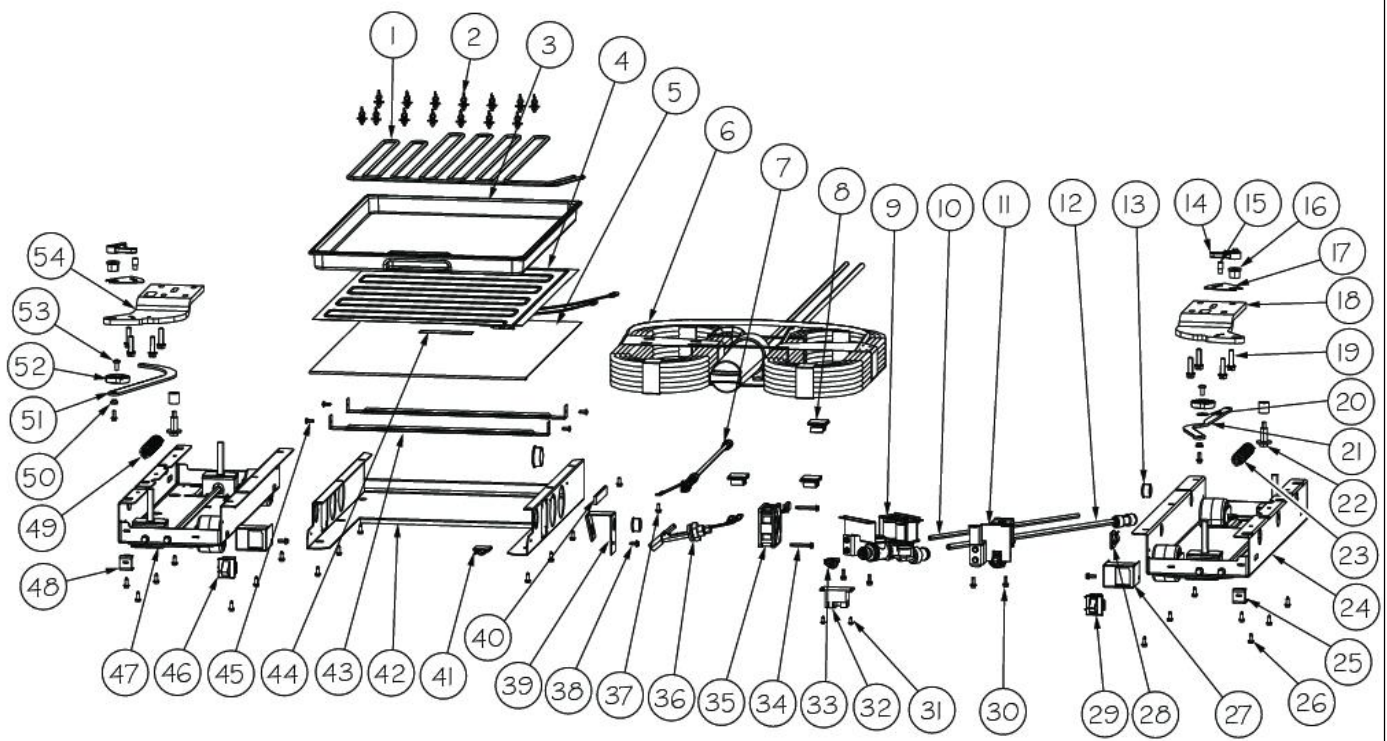


Item	Part No.	Name	Qty	Uom	NOTES
1	F20915693	SERPENTINE CONDENSER DRAIN ALL SXS'S	1	EA	
2	PD030146	STAND OFF LOCK CLIP	14	EA	
3	PK930348	DRAIN PAN	1	EA	
4	G50911853	TRAY PAN HEATER	1	EA	
5	L20914124	TRAY PAN HEATER	1	EA	
6	041669-000	FILTER/COIL TUBE ASM	1	EA	
NI	RWFDISP	WATER FILTER	1	EA	
7	PE970590	HARNES JUMPER LOWER	1	EA	
8	M0104102	CLIP-CORD RED	3	EA	
9	G32914174	BRKT & VALVE J.G. INLET ASM	1	EA	
10	PB020303	PLASTIC TUBING-IM WATERLINE SXS DISP	1	EA	
11	G32915704	BRKT AND VALVE SINGLE ASM DISP	1	EA	
12	PB020294	TUBE ASM-DOOR TO VALVE	1	EA	
13	A4554806	BUSHING-SNAP VA4554806	2	EA	
14	PD940091	BUSHING - DOOR STOP	2	EA	
15	PC920145	PIN - DOOR STOP	2	EA	
16	PD940090	BUSHING - WC DOOR LEVEL	2	EA	
17	PC920144	PLATE - WC DOOR SHIM	2	EA	
18	PC020288	HINGE PLATE LR	1	EA	
19	000570-000	FASTENER, BOLT, 1/4-20 IHXWS 1" S ZN SER	8	EA	
21	PC920166	BAR-WC BOT HINGE RH	1	EA	
22	M0221523	SCREW - SHLDR	2	EA	
23	003867-000	SPRING EXTENSION	1	EA	
24	060890-000	LEVELER MODULE R	1	EA	
25	K2098044	BRKT GRILLE SUPPORT	1	EA	
26	PD020194	SCR, HEX SRTD WSHR HD, #8-18 X 1/2	20	EA	
27	014334-000	BRACKET,LT,SWITCH	2	EA	
28	M0104106	CLIP-CORD VM0104106	2	EA	
29	PE950147	SWITCH SPST NC BLACK	1	EA	





Item	Part No.	Name	Qty	Uom	NOTES
Comments for Part Num. PE950147					
bradleysapplianceservice@shaw.ca on May 1, 2017					
CAUTION WHEN ORDERING DOOR SWITCH. PARTS LISTINGS COULD BE INCORRECT.					
THERE IS TWO VERSIONS OF THIS DOOR SWITCH THAT NEEDS TO BE VISUALLY CHECKED ON UNIT TO DETERMINE CORRECT PART.					
PE950146 DOOR SWITCH 3 WIRE SPDT BLACK					
PE950147 DOOR SWITCH 2 WIRE SPST BLACK					
30	M0220417	SCREW-TC	8	EA	
31	PD020013	TYPE "AB" #6 X 3/8 PH PAN HD. SMS	2	EA	
32	014808-000	RELAY,WATER VALVE	1	EA	
33	PB020301	STEM ELBOW 1/4 V# PP220808W	1	EA	
34	PD020274	SCR SLTD HEX WSHR HD 8X1.250 BT	2	EA	
35	000731-000	AXIAL FAN	1	EA	
36	PE050248	FLOAT SWITCH HORIZONTAL	1	EA	
37	PD020010	10 X 3/8 GREEN GROUNDING SCREW	2	EA	
38	M0253916	SCR 8-32 SHXW 3/8 TRI-LOBE	1	EA	
39	B20915627	BRACKET HORIZ FLOAT SWITCH	1	EA	
40	PF930654	LABEL CONDENSATE FAN SERVICE	1	EA	
41	A4554817	BUSHING-SNAP VA4554817	1	EA	
42	K20915952	SHIELD BOTTOM DRAIN	1	EA	
43	K20911831	BRACKET CONDENSATE SUPPORT	2	EA	
44	PF031267	LABEL HEATER PAN	1	EA	
45	PC040010	POP RIVET (.063/GR -.125) GAMD42-A	4	EA	
46	PE950146	SWITCH SPDT BLACK	1	EA	
47	060891-000	LEVELER MODULE L	1	EA	
48	K2098096	BRKT GRILLE SUPPORT	1	EA	
49	PC910015	SPRING EXTENSION	1	EA	
50	PD940094	BUSHING	2	EA	
51	PC920149	BAR-WC BOT HINGE LH	1	EA	



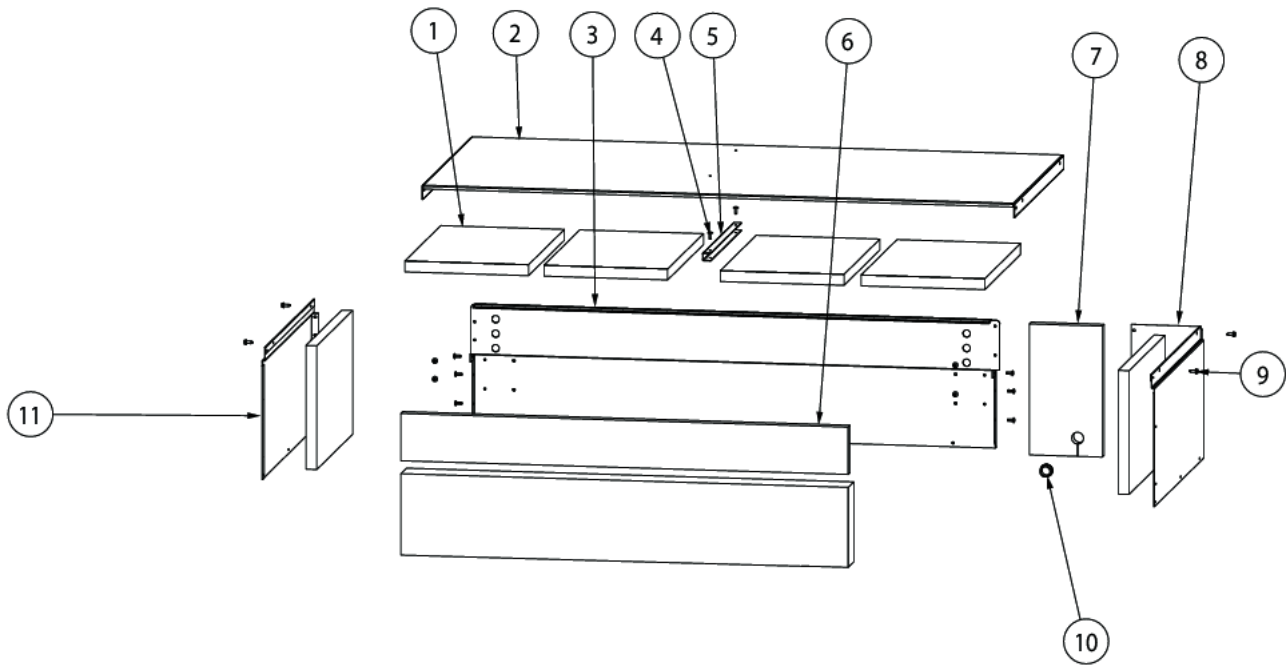


Item	Part No.	Name	Qty	Uom	NOTES
52	PM010602	CAM DOOR ADJUSTMENT	2	EA	
53	PD020234	SCREW THP 10-32 X .500 SS BO	2	EA	
54	PC020289	HINGE PLATE LL	1	EA	
NI	045013-000	GRILLE, TOE, ASM, 48 SXS	1	EA	
NI	008501-000	HEATER PKT CBL WI CHASE	1	EA	

Comments for Page: LOWER UNIT ASSY

office@anovaappliance.com on May 18, 2016  
the water valves part numbers are backwards

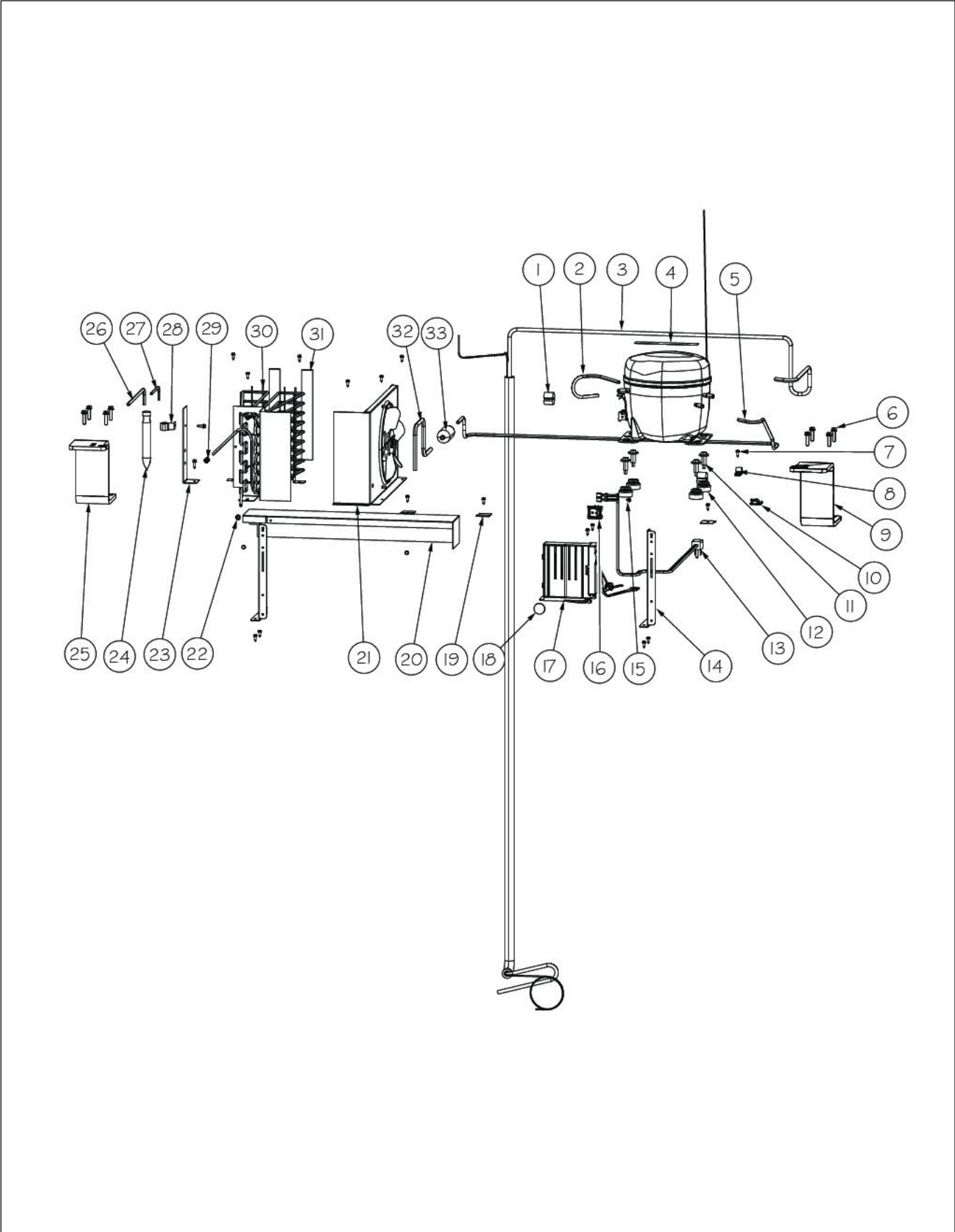
# COVER

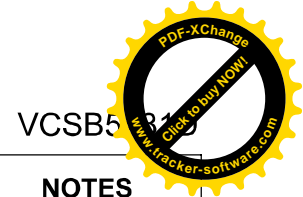
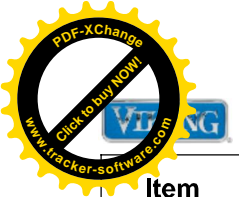




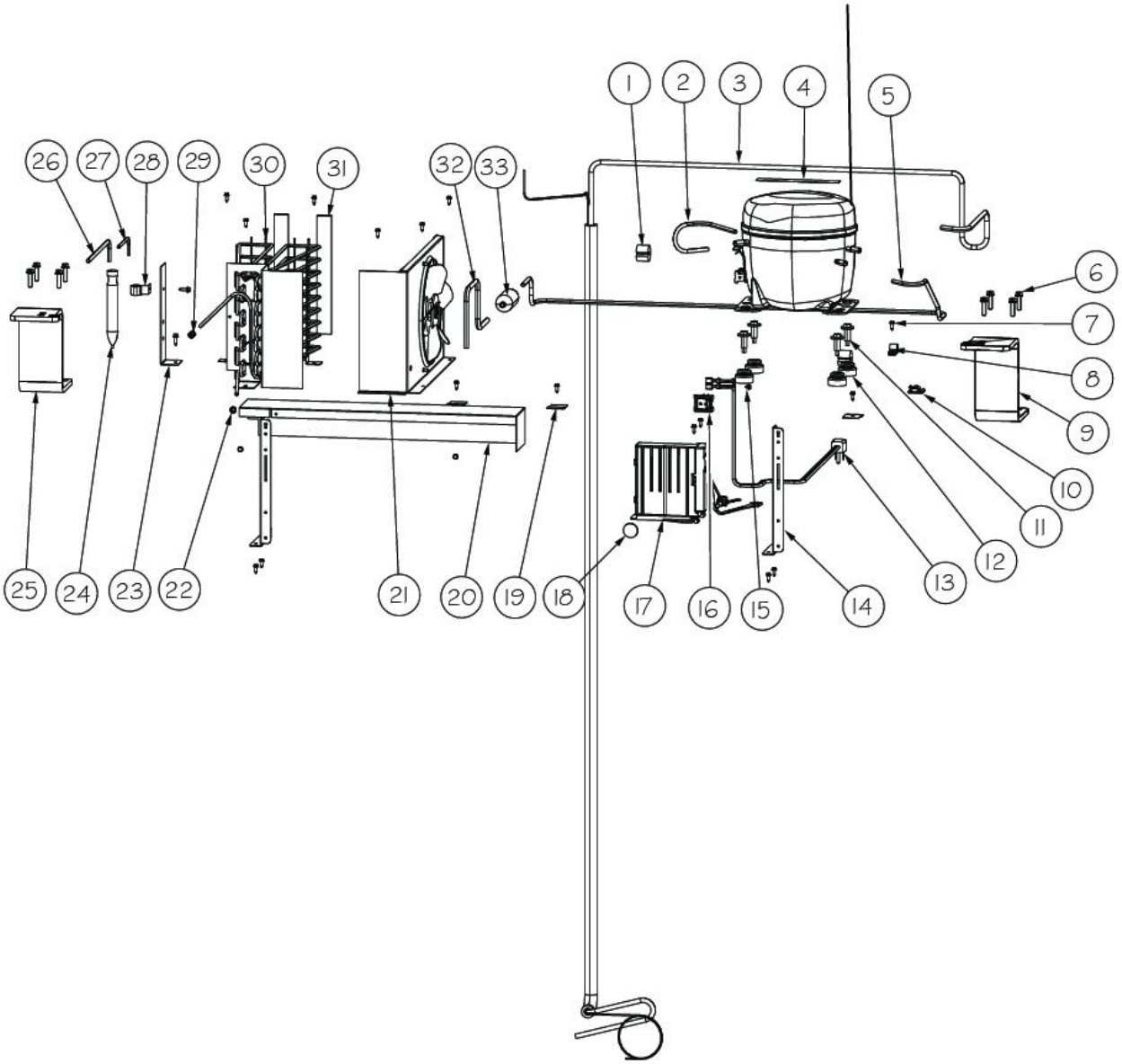
Item	Part No.	Name	Qty	Uom	NOTES
1	PB070355	INSULATION MC COVER	6	EA	
2	K2099458	MC TOP SXS 42	1	EA	
3	K2099461	MC BACK 42	1	EA	
4	PC040010	POP RIVET (.063/GR -.125) GAMD42-A	19	EA	
5	K2099455	SUPPORT MC Z	1	EA	
6	PB070360	INSULATION MC COVER	2	EA	
7	007341-000	INSL,MC,BACK SIDE	1	EA	
8	004614-000	MC SIDE R	1	EA	
9	PD020194	SCR, HEX SRTD WSHR HD, #8- 18 X 1/2	40	EA	
10	A4554806	BUSHING-SNAP VA4554806	1	EA	
11	K2099460	MC SIDE L	1	EA	

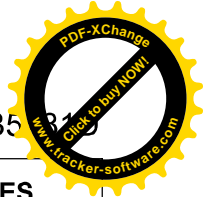
# SCALE SYSTEM ASSY





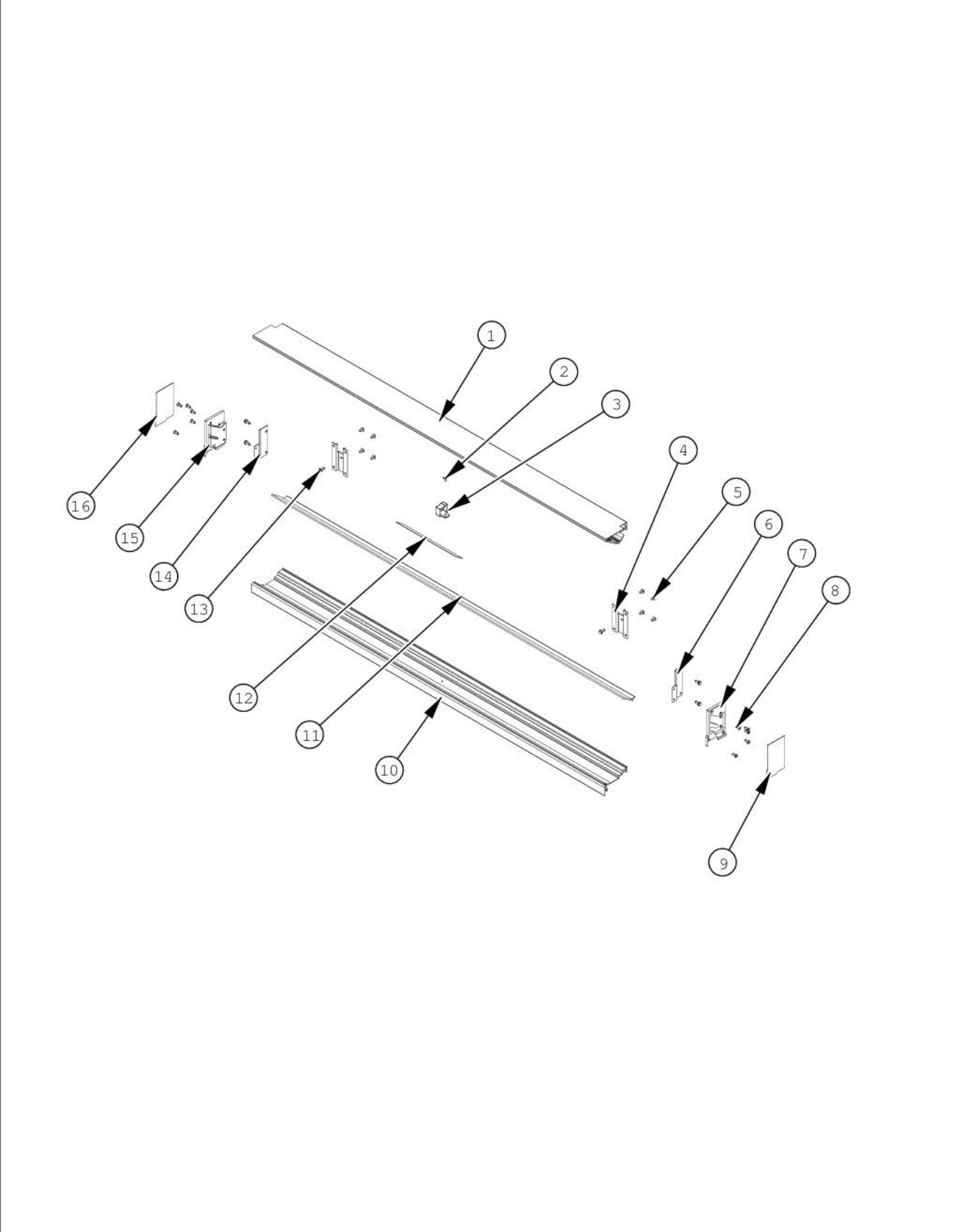
Item	Part No.	Name	Qty	Uom	NOTES
1	10699601	DAMPER-TUBING .8	2	EA	
2	F2096507	TUBE-PROCESS GRN	1	EA	
3	053301-000	HEAT EXCHANGER ASM SXS 48	1	EA	
4	027412-000	LABEL-COMP WARN	1	EA	Not available online / Call for pricing and availability
5	F2099443	TUBE DISCHARGE FORMED PRE ACCUM	1	EA	
6	000570-000	FASTENER, BOLT, 1/4-20 IHXWS 1" S ZN SER	8	EA	
7	PD020195	SCR 8-18 X 5/8	20	EA	
8	PD030118	INSULATED CLAMP	1	EA	
9	PC920203	HINGE ASM UR	1	EA	
10	M0104106	CLIP-CORD VM0104106	1	EA	
11	M0221523	SCREW - SHLDR	4	EA	
12	10835901	GROMMET RUBBER V10835901	4	EA	
13	059105-000	CORD-POWER V10916507	1	EA	
14	014190-000	BRACKET, GRILLE SUPPORT	2	EA	
15	M0211014	SCREW-SM	1	EA	Not available online / Call for pricing and availability
16	PE950149	SWITCH POWER	1	EA	
17	011666-000	INVERTER,CMPR,ASM	1	EA	
<p>Comments for Part Num. 011666-000</p> <p>gboltz@VikingRange.com on Aug 9, 2018 See 2018-01P Parts Bulletin</p>					
18	PF930682	LABEL WARNING INVERTER	1	EA	
19	K2096943	Panel Bracket	3	EA	
20	014519-000	DIVERTER AIR HI SIDE SXS	1	EA	
21	G5096494	COND. FAN ASSY	1	EA	
22	007408-000	RING,LOK, .250 DIA	1	EA	
23	K2099454	BRACKET DRIER	1	EA	
24	PM010616	DRIER - HIGH SIDE	1	EA	

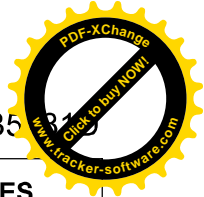




Item	Part No.	Name	Qty	Uom	NOTES
25	PC920204	HINGE ASM UL	1	EA	
26	F2097740	TUBE PROCESS	1	EA	
27	F2096504	TUBE-DRIER EXT	1	EA	
28	10547001	CLIP-DRIER V10547001	1	EA	
29	007407-000	RING,LOK, .187 DIA	1	EA	
30	068353-000	Condenser Assembly	1	EA	
31	A3189370	GASKET-FOAM VA3189370	2	EA	
32	F2099444	TUBE DISCHARGE FORMED POST ACCUM	1	EA	
33	PB920201	ACCUMULATOR	1	EA	
34	062775-000	COMPRESSOR VCC	1	EA	

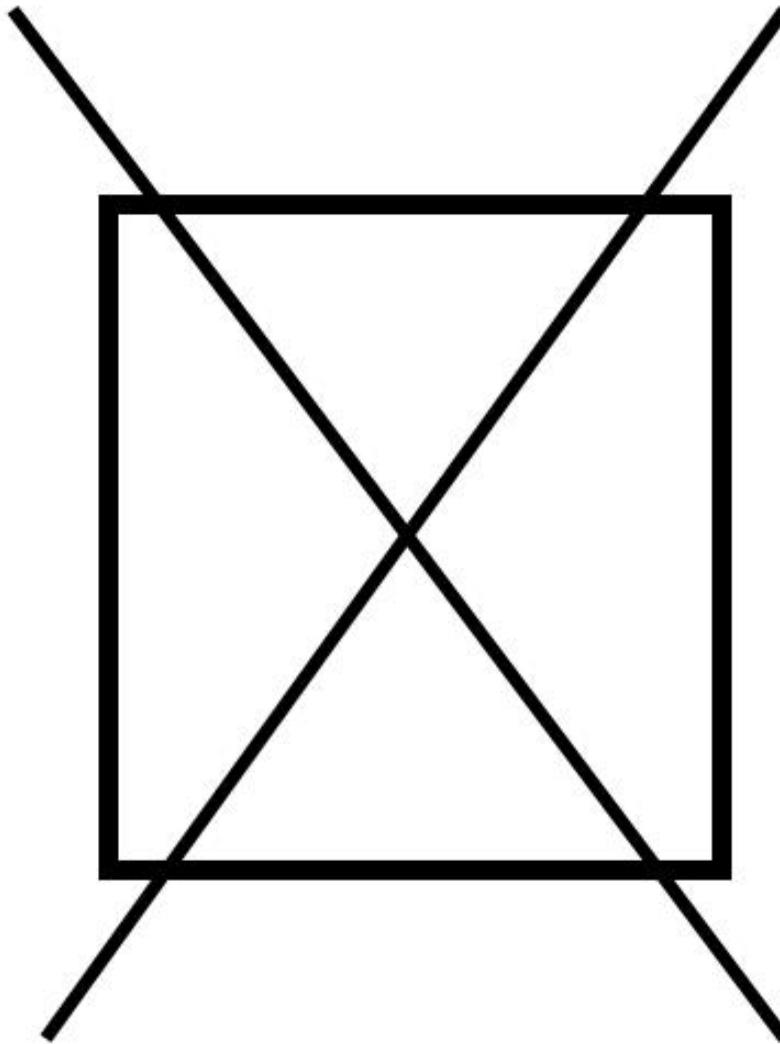
# FRONT GRILLE ASSY

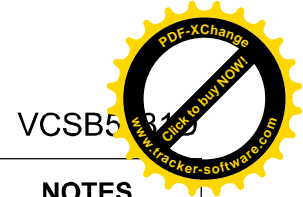




Item	Part No.	Name	Qty	Uom	NOTES
1	016197-000	GRILLE UPPER SXS 48 DES	1	EA	
2	M0230028	SCREW-TC	1	EA	
3	PM910084	SUPPORT GRILLE 12201201	1	EA	
4	PK050004	BRACKET GRILLE	2	EA	
5	M0224128	SCREW-SM	2	EA	
6	K2099470	BRACKET, GRILLE, SUPPORT, DES RH	1	EA	
7	PM910348	ENP CAP GRILLE R	1	EA	
8	003004-000	8 - 18 X 1/2 ZN/CLR PHIL FLAT TRIM HD #5 TYPE AB TAPPING SCREW	10	EA	
9	033729-000	ENDCAP, GRILLE, R, HINGE	1	EA	
10	016194-000	GRILLE LOWER SXS 48 DES	1	EA	
11	PM910365	GRILLE CENTER SXS 48 DES	1	EA	
12	PF930523	GRILL BLADE LABEL (REFRIGERATOR)	1	EA	
13	PD020194	SCR, HEX SRTD WSHR HD, #8- 18 X 1/2	6	EA	
14	K2099471	BRACKET GRILLE SUPPORT L	1	EA	
15	PM910349	END CAP GRILLE L	1	EA	
16	033709-000	ENDCAP, GRILLE, L, HINGE	1	EA	
NI	034237-000	GRILLE, ASM, 48 SXS, PRO	1	EA	

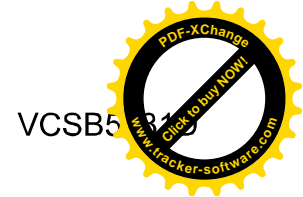
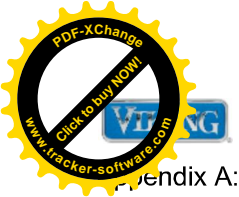
# NON ILLUSTRATED PART





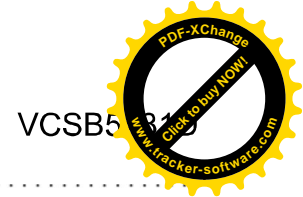
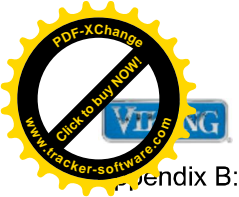
VCSB5

Item	Part No.	Name	Qty	Uom	NOTES
NI	043051-000	Door Harness	1	EA	
NI	PE970598	HARNESS CAB FF SXS	1	EA	Not available online / Call for pricing and availability
NI	12102501	RET-HARNESS	4	EA	
NI	015005-000	HARNESS,CAB FZ SXS DISP	1	EA	
NI	040066-000	HARNESS, JUMPER LOWER	1	EA	
NI	011059-000	HARNESS, JUMPER	1	EA	
NI	015364-000	HARNESS WIRING SXS MACHINE	1	EA	
NI	PE970464	HARNESS LOW VOLT	1	EA	
NI	015365-000	HARNESS HIGH VOLT	1	EA	
NI	PE970609	HARNESS CONTROL BOARD	1	EA	
NI	023112-000	HARNESS,ICE MAKER	1	EA	
NI	PE970590	HARNESS JUMPER LOWER	1	EA	
Not Shown	NOTE	(BEFORE 10/16/12)		EA	
NI	040066-000	HARNESS, JUMPER LOWER	1	EA	
Not Shown	NOTE	(ON OR AFTER 10/16/12)		EA	
NI	PE970591	Upper Jumper Harness (After 4/15/05)	1	EA	
Not Shown	NOTE	(BEFORE 10/16/12)		EA	
NI	040078-000	HARNESS, JUMPER DISP CAVITY	1	EA	
Not Shown	NOTE	(ON OR AFTER 10/16/12)		EA	
NI	048806-000	SKIN, DOOR, SXS 48 PRO FF SS	1	EA	
NI	042336-000	HARNESS SXS DISP DOOR	1	EA	



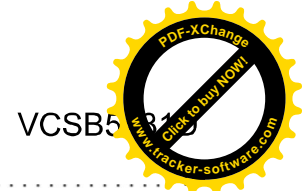
Appendix A:Pages Index

CONTROL ASSY .....	1
DISPENSER .....	2
DOOR SHELVES .....	3
EXTERIOR ASSY .....	4
FF DOOR ASSY .....	5
FF INTERIOR ASSY .....	6
FZ DOOR ASSY .....	7
FZ INTERIOR ASSY .....	8
LOW SIDE ASSY .....	9
LOWER UNIT ASSY .....	10
MC COVER .....	11
SEALED SYSTEM ASSY .....	12
UPPER GRILLE ASSY .....	13
WIRING .....	14

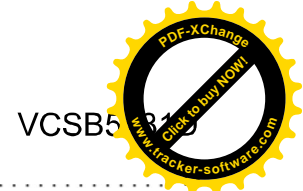


Appendix B: Parts Index

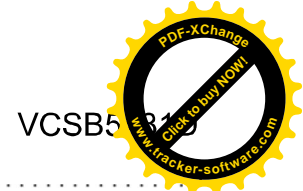
000268-000	5, 7	009586-051	5
000268-100	5, 7	009586-052	5
000570-000	10, 12	009586-053	5
000731-000	10	009586-054	5
003004-000	13	009586-102	5
003867-000	10	009586-103	5
004528-000	6, 8	009586-104	5
004614-000	11	009586-105	5
005319-000	1	009586-108	5
005396-000	1	009586-109	5
005454-000	5	009586-110	5
005456-000	7	009586-112	5
007047-000	5	009586-113	5
007052-000	7	009586-115	5
007070-000	5	009586-116	5
007078-000	7	009586-117	5
007302-000	6, 8	009586-118	5
007341-000	11	009586-121	5
007407-000	12	009586-122	5
007408-000	12	009586-123	5
008501-000	10	009586-124	5
009435-000	2	009586-125	5
009586-002	5	009586-151	5
009586-003	5	009586-152	5
009586-004	5	009586-153	5
009586-005	5	009586-154	5
009586-008	5	009631-000	2
009586-009	5	009728-002	7
009586-010	5	009728-003	7
009586-012	5	009728-004	7
009586-013	5	009728-005	7
009586-015	5	009728-008	7
009586-016	5	009728-009	7
009586-017	5	009728-010	7
009586-018	5	009728-012	7
009586-021	5	009728-013	7
009586-022	5	009728-015	7
009586-023	5	009728-016	7
009586-024	5	009728-017	7
009586-025	5	009728-018	7
		009728-021	7



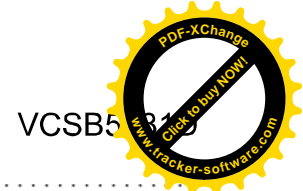
728-022	7	015005-000	2
009728-023	7	015162-000	2
009728-024	7	015364-000	14
009728-025	7	015365-000	1, 14
009728-102	7	015813-000	8
009728-103	7	016181-000	5
009728-104	7	016182-000	7
009728-105	7	016194-000	13
009728-108	7	016197-000	13
009728-109	7	016273-000	1
009728-110	7	016593-000	1
009728-112	7	016928-000	1
009728-113	7	016930-000	1
009728-115	7	017695-000	1
009728-116	7	019144-000	8
009728-117	7	019244-000	3
009728-118	7	019993-000	1
009728-121	7	020117-000	8
009728-122	7	020120-000	6
009728-123	7	023112-000	14
009728-124	7	025433-000	1
009728-125	7	027412-000	12
010093-000	6	029418-000	8, 9
010626-000	5	033709-000	13
010626-100	5	033729-000	13
010652-000	7	033780-000	7
011059-000	14	034237-000	13
011666-000	12	036432-000	5
012259-000	6	036447-002	5
012312-000	6	036447-003	5
012891-000	5, 7	036447-004	5
013112-000	6, 8	036447-005	5
013328-000	5, 7	036447-006	5
013682-000	2	036447-008	5
013685-000	2	036447-009	5
014190-000	12	036447-010	5
014334-000	10	036447-012	5
014519-000	12	036447-013	5
014581-000	5, 7	036447-015	5
014808-000	10	036447-016	5
014845-000	2	036447-017	5



447-018	5	10547001	9
036447-021	5	10623003	9
036447-022	5	10629001	9
036447-023	5	10699601	12
036447-024	5	10835901	12
036447-025	5	12064001	1
036447-051	5	12102501	14
036447-052	5	12193801	2
036447-053	5	12258501	8
036447-054	5	12348201	2
036579-000	2	A3030361	1
036580-000	2	A3189370	9, 12
036886-000	3	A4554806	10, 11
036888-000	3	A4554817	1, 10
037445-000	7	B20911863	8
037495-006	7	B20915627	10
040066-000	14, 14	B8385402	2
040078-000	14	C20910027	8
041624-000	2	C8983701	6, 9
041669-000	10	C90910713WH	8
042336-000	14	F20915693	10
043051-000	14	F2096504	12
043623-000	6	F2096507	12
044232-000	6	F2097740	12
044384-000	6	F2099443	12
045013-000	10	F2099444	12
045692-000	6	G32911938	6
048806-000	14	G32914174	10
053301-000	9, 12	G32915704	10
056841-000	5	G50911853	10
056842-000	7	G50911855	8
058966-000	9	G50914155	2
059105-000	12	G5096419	8
060890-000	10	G5096494	12
060891-000	10	G5098660	9
062775-000	12	G5099965	6
068353-000	12	K20911831	10
10270203	6, 8	K20913096	6
10276601	8, 9	K20915000	1
10428101	9	K20915952	10
10527401	9	K2096456	9



96457	9	M0238846	9
K2096458	9	M0238859	9
K2096461	9	M0253916	10
K2096943	12	M0270546	2
K2098044	10	M0288120	1
K2098096	10	M0580007	6, 8
K2099454	12	M0585504	1, 1
K2099455	11	PB020294	10
K2099458	11	PB020301	7, 10
K2099460	11	PB020302	2
K2099461	11	PB020303	10
K2099470	13	PB070355	11
K2099471	13	PB070360	11
L20910054	9	PB92020	9
L20910057	9	PB920201	12
L20910067	8	PB970176	8
L20910075	9	PC010022	2
L20914114	9	PC020278	5
L20914115	9	PC020288	10
L20914124	10	PC020289	10
L20915031	6	PC040010	1, 1, 10, 11
L2097158WH	8, 9	PC910015	10
L2098028	9	PC920144	10
L2099251	6	PC920145	10
L2099474	6	PC920149	10
L2099475	8	PC920166	10
M0104102	10	PC920203	12
M0104106	1, 10, 12	PC920204	12
M0204303	5, 7	PD020010	10
M0210443	2	PD020013	1, 10
M0210458	5, 7	PD020032	6
M0211014	9, 12	PD020188	6, 8
M0211021	6, 8	PD020191	8
M0213503	8	PD020194	1, 6, 8, 9, 10, 11, 13
M0215318	2, 4	PD020195	6, 12
M0220417	10	PD020234	5, 10
M0221523	10, 12	PD020274	10
M0221913	6, 8	PD030006	7
M0224128	1, 13	PD030118	12
M0230028	13	PD030146	10
M0238535	6, 8	PD040162	5, 7



JS0019	5, 7	PK930174	6
PD920162	6	PK930176	6
PD920174	5, 7	PK930237	6
PD940090	10	PK930264	8
PD940091	10	PK930265	8
PD940094	10	PK930266	8
PE010030	7	PK930293	2
PE010068	7	PK930297	7
PE050248	10	PK930299	4
PE070751	2	PK930308	6
PE070755	2	PK930309	6
PE950125	6, 8	PK930313	6
PE950146	10	PK930346	6, 8
PE950147	10	PK930348	10
PE950149	12	PK930374	2
PE950152	2	PK930401	2
PE950158	8	PK930404	2
PE970464	1, 14	PK930410	2
PE970484	2	PM010602	10
PE970590	10, 14	PM010616	12
PE970591	14	PM910084	13
PE970598	14	PM910190	8
PE970609	1, 14	PM910206	9
PF031267	10	PM910227	6
PF930523	13	PM910231	8
PF930654	10	PM910288	6
PF930672	1	PM910331C	8
PF930682	12	PM910334	6
PJ910031	9	PM910348	13
PK030435	6	PM910349	13
PK030470	2	PM910365	13
PK030540	9	PM910375	8
PK050004	13	PM910411	8
PK910123	4	PM910435	8
PK930074	8	RWFDISP	10
PK930075	8	V12203602	3
PK930096	8		
PK930107	8		
PK930171	6		
PK930172	6		
PK930173	6		