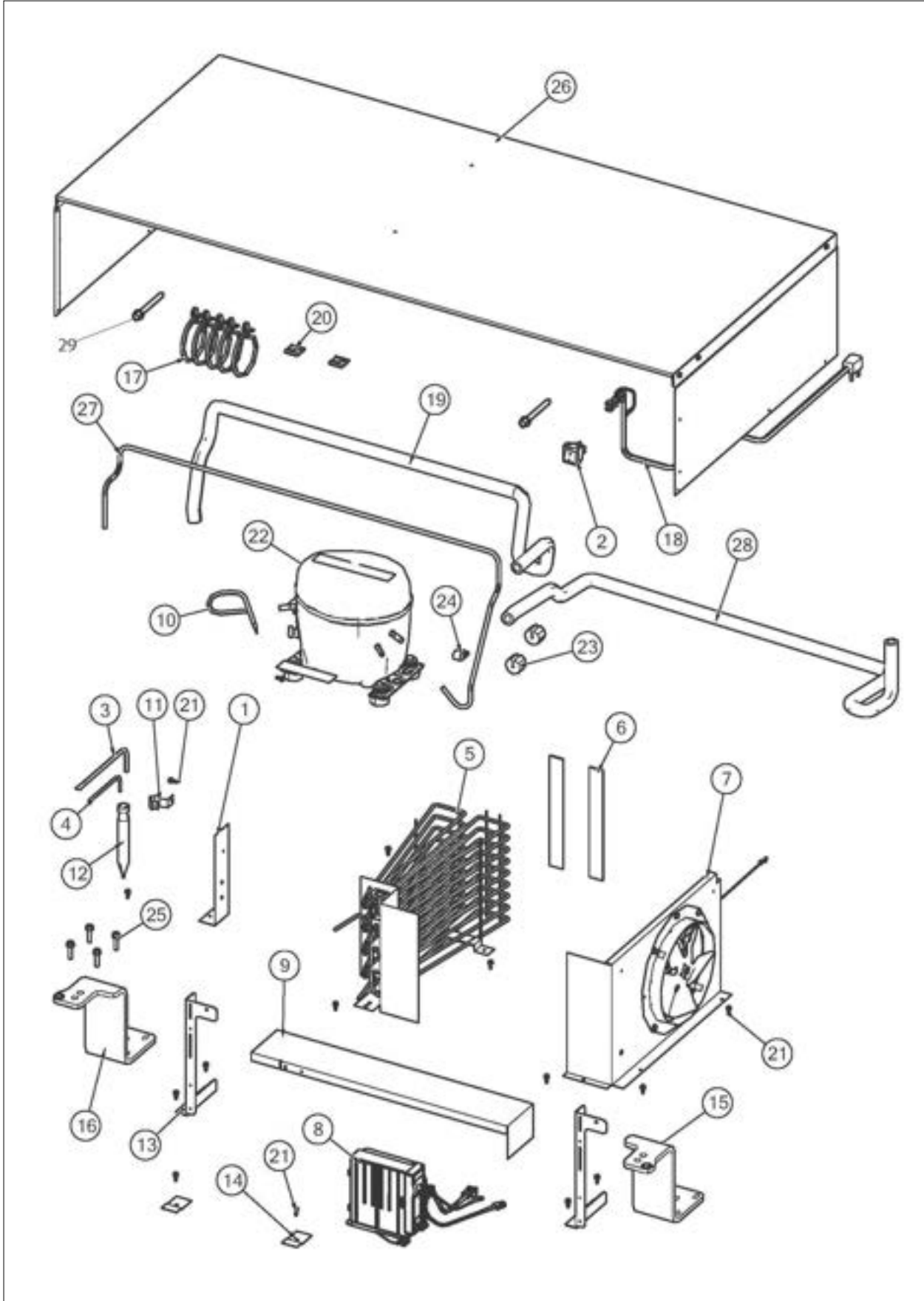


VCSB5483SS11

UNIT TOP	1
UNIT BOTTOM	2
DECOR	3
CONTROL	4
FREEZER INTERIOR	5
FRESH FOOD INTERIOR	6
FZ Door View	7
VCSB5483SS01 FRESH FOOD DOOR	8
Appendix A:Pages Index	A
Appendix B:Parts Index	B

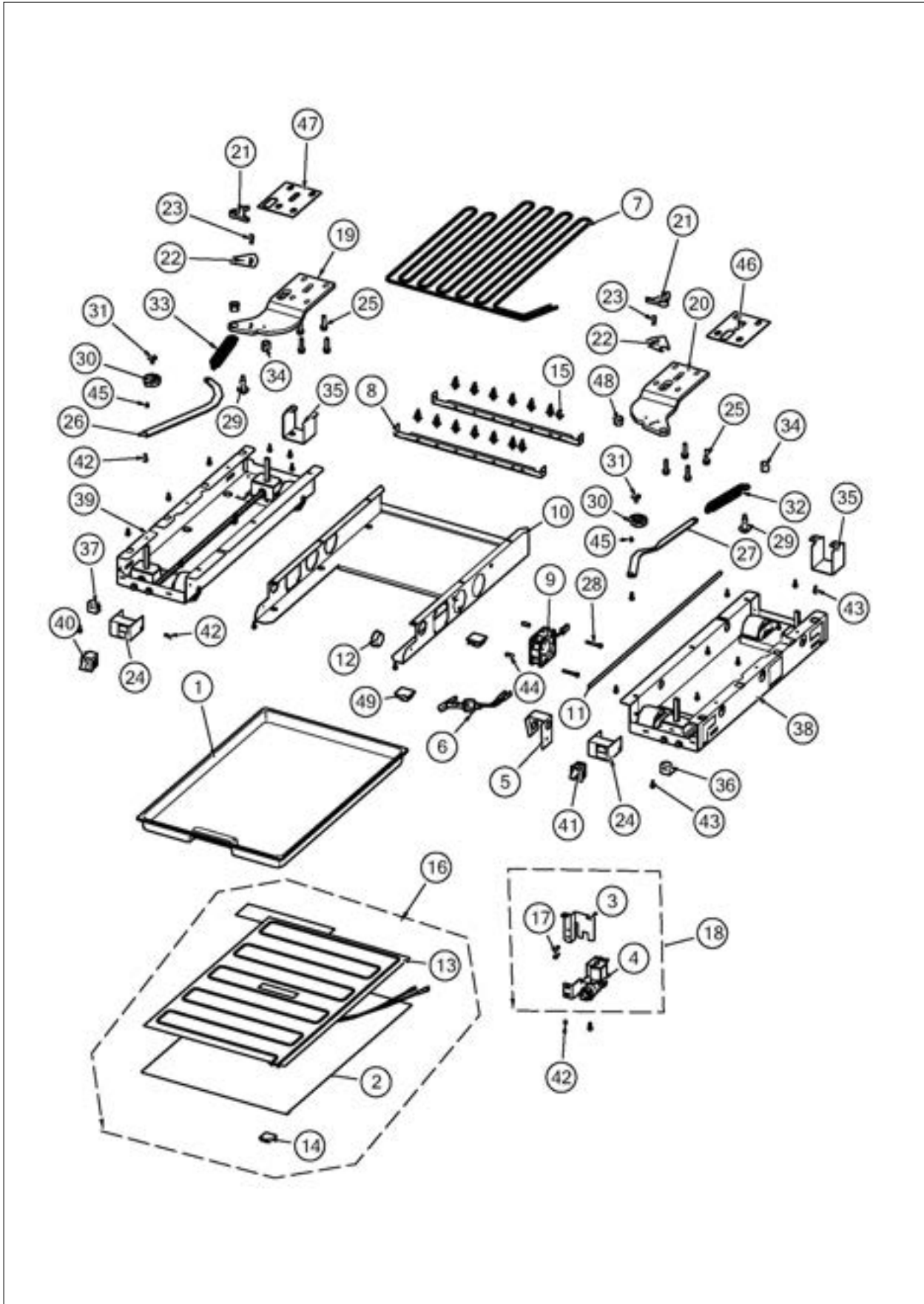
UNIT TOP





Item	Part No.	Name	Qty	Uom	NOTES
1	K2099454	BRACKET DRIER	1	EA	
2	PE950149	SWITCH POWER	1	EA	
3	F2097740	TUBE PROCESS	1	EA	
4	F2096504	TUBE-DRIER EXT	1	EA	
5	068353-000	CONDENSER ASM W/COPPER ENDS	1	EA	
6	A3189370	GASKET-FOAM VA3189370	2	EA	
7	050903-000	CONDENSER FAN ASM	1	EA	
8	050926-000	INVERTER, CMPR, ASM	1	EA	
9	014519-000	DIVERTER AIR HI SIDE SXS	1	EA	
10	F2096507	TUBE-PROCESS GRN	1	EA	
11	10547001	CLIP-DRIER V10547001	1	EA	
12	PM010616	DRIER - HIGH SIDE	1	EA	
13	014190-000	BRACKET, GRILLE SUPPORT	2	EA	
14	K2096943	PANEL BRACKET	2	EA	
15	044359-000	UPPER HINGE ASM, RH	1	EA	
16	044358-000	UPPER HINGE ASM, LH	1	EA	
17	M0322202	TIE-WIRE	6	EA	
18	059105-000	CORD, PWR, BM, LEAD TERMINALS	1	EA	
19	PB970188	INSULATION TUBING 45.000	1	EA	
20	M0104106	CLIP-CORD VM0104106	2	EA	
21	PD020194	SCR, HEX SRTD WSHR HD, #8-18 X 1/2	11	EA	
22	062775-000	VEGD 8H COMPRESSOR	1	EA	
23	10699601	DAMPER-TUBING .8	2	EA	
24	PD030118	INSULATED CLAMP	1	EA	
25	000570-000	FASTENER, BOLT, 1/4-20 IHXWS 1" S ZN SER	8	EA	
26	052700-000	MC COVER ASM BI 48	1	EA	
27	054407-000	TUBING, DISCHARGE	1	EA	
28	PB970187	INSULATION TUBING 57.500 WC, 5 SERIES	1	EA	
29	PD020233	SCR LAG 5/16-9 GX 5/16X7/16 WAF IHXW 3 S ZN	2	EA	
NI	043371-000	HARNESS, MC	1	EA	

UNIT BOTTOM



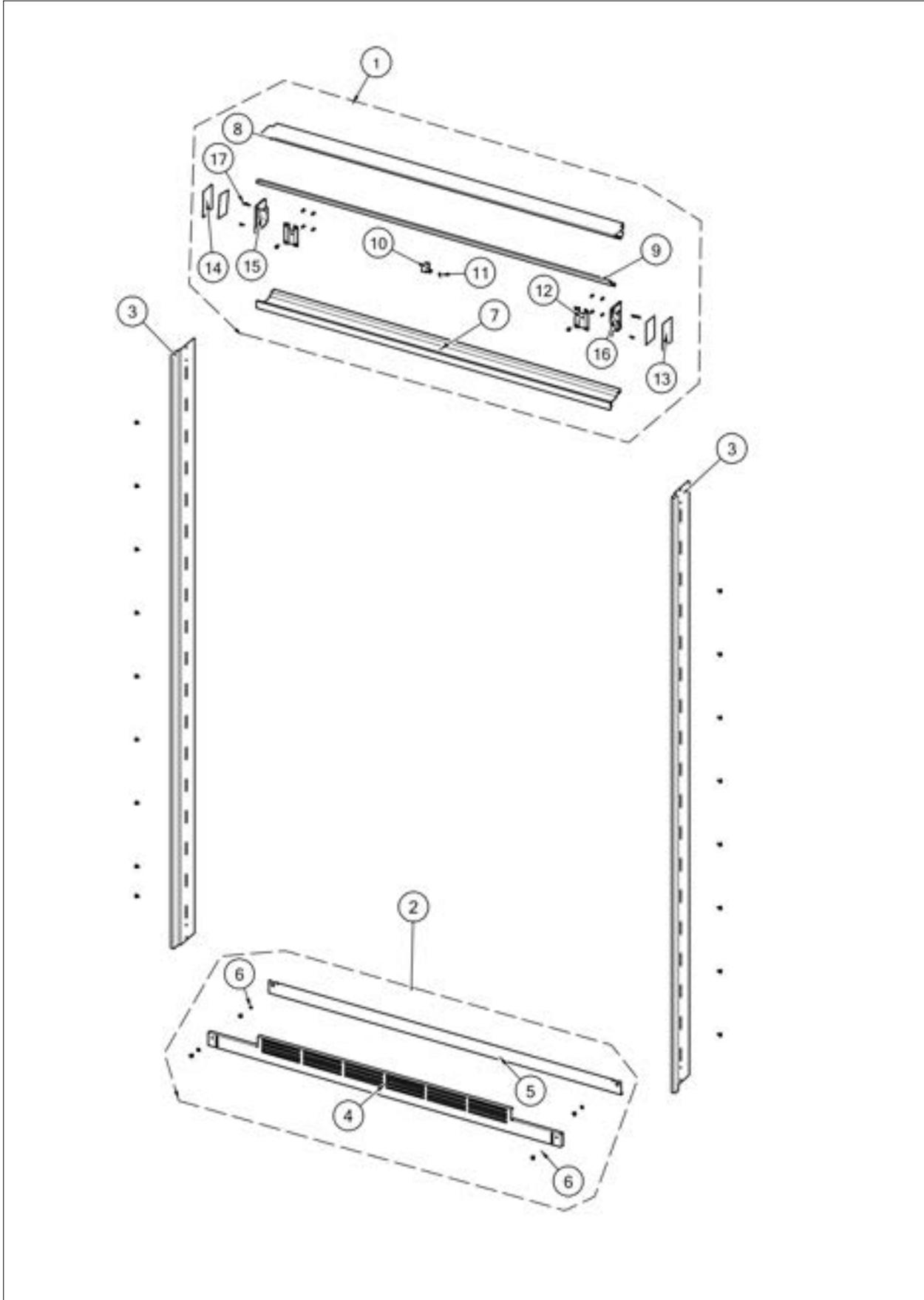


Item	Part No.	Name	Qty	Uom	NOTES
1	PK930348	PAN DRAIN	1	EA	
2	L20914124	TRAY PAN HEATER	1	EA	
3	K20913788	BRKT VALVE H2O SINGLE	1	EA	
4	PA970012	SINGLE WATER VALVE	1	EA	
5	B20915627	BRACKET HORIZ FLOAT SWITCH	1	EA	
6	PE050248	FLOAT SWITCH HORIZONTAL	1	EA	
7	F20915693	SERPENTINE CONDENSER DRAIN ALL SXS'S	1	EA	
8	K20911831	BRACKET CONDENSATE SUPPORT	2	EA	
9	013112-000	AXIAL FAN	1	EA	
10	K20915952	SHIELD BOTTOM DRAIN	1	EA	
11	044034-000	TUBING, ROLL, PEX 1/4"	1	EA	
12	A4554817	BUSHING-SNAP VA4554817	1	EA	
13	G50911853	TRAY PAN HEATER	1	EA	
14	M0104106	CLIP-CORD VM0104106	1	EA	
15	PD030146	STAND OFF LOCK CLIP	14	EA	
16	G50911853	TRAY PAN HEATER	1	EA	
17	M0220417	SCREW-TC	2	EA	
18	G32913789	BRKT & VALVE H2O SNGL ASM	1	EA	
19	044046-000	HINGE PLATE, LH, LWR 30/36AFAR, 42, 48	1	EA	
20	044026-000	HINGE PLATE, RH, LWR 30/36ARAF, 42, 48	1	EA	
21	044372-000	BUSHING, DOOR STOP	2	EA	
22	044511-000	PLATE, DOOR, SHIM	2	EA	
23	044374-000	PIN, DOOR STOP	2	EA	
24	044939-000	BRACKET, LT SWITCH	2	EA	
25	000570-000	FASTENER, BOLT, 1/4-20 IHXWS 1" S ZN SER	8	EA	
26	043258-000	BAR, BOTTOM HINGE, LH, WC	1	EA	
27	043261-000	BAR, BOTTOM HINGE, RH, WC	1	EA	
28	PD020274	SCR SLTD HEX WSHR HD 8X1.250 BT	2	EA	
29	M0221523	SCREW - SHLDR	2	EA	



Item	Part No.	Name	Qty	Uom	NOTES
30	044370-000	CAM DOOR ADJUSTMENT	2	EA	
31	044377-000	WSHR FENDER, .219 X .68 X .030	2	EA	
32	003867-000	SPRING EXTENSION	1	EA	
33	PC910015	SPRING EXTENSION	1	EA	
34	PD940107	ROUND SPRING SPACER	2	EA	
35	053261-000	U CHANNEL	2	EA	
36	K2098044	BRKT GRILLE SUPPORT	1	EA	
37	K2098096	BRKT GRILLE SUPPORT	1	EA	
38	060890-000	LEVELER, MODULE, R	1	EA	
39	060891-000	LEVELER, MODULE, L	1	EA	
40	046062-000	SWITCH, SPDT GRAY	1	EA	
41	046063-000	SWITCH, SPST NC GRAY	1	EA	
42	M0220417	SCREW-TC	6	EA	
43	PD020194	SCR, HEX SRTD WSHR HD, #8-18 X 1/2	24	EA	
44	011332-000	SPACER,NYL	2	EA	
45	PD940094	BUSHING	2	EA	
46	000537-000	SPACER BOTTOM HINGE LR	1	EA	
47	000538-000	SPACER BOTTOM HINGE LL	1	EA	
48	044373-000	BUSHING, DOOR LEVEL	2	EA	
49	M0104102	CLIP-CORD RED	2	EA	
NI	PM010555	VALVE CONNECTION BAG ASM	1	EA	

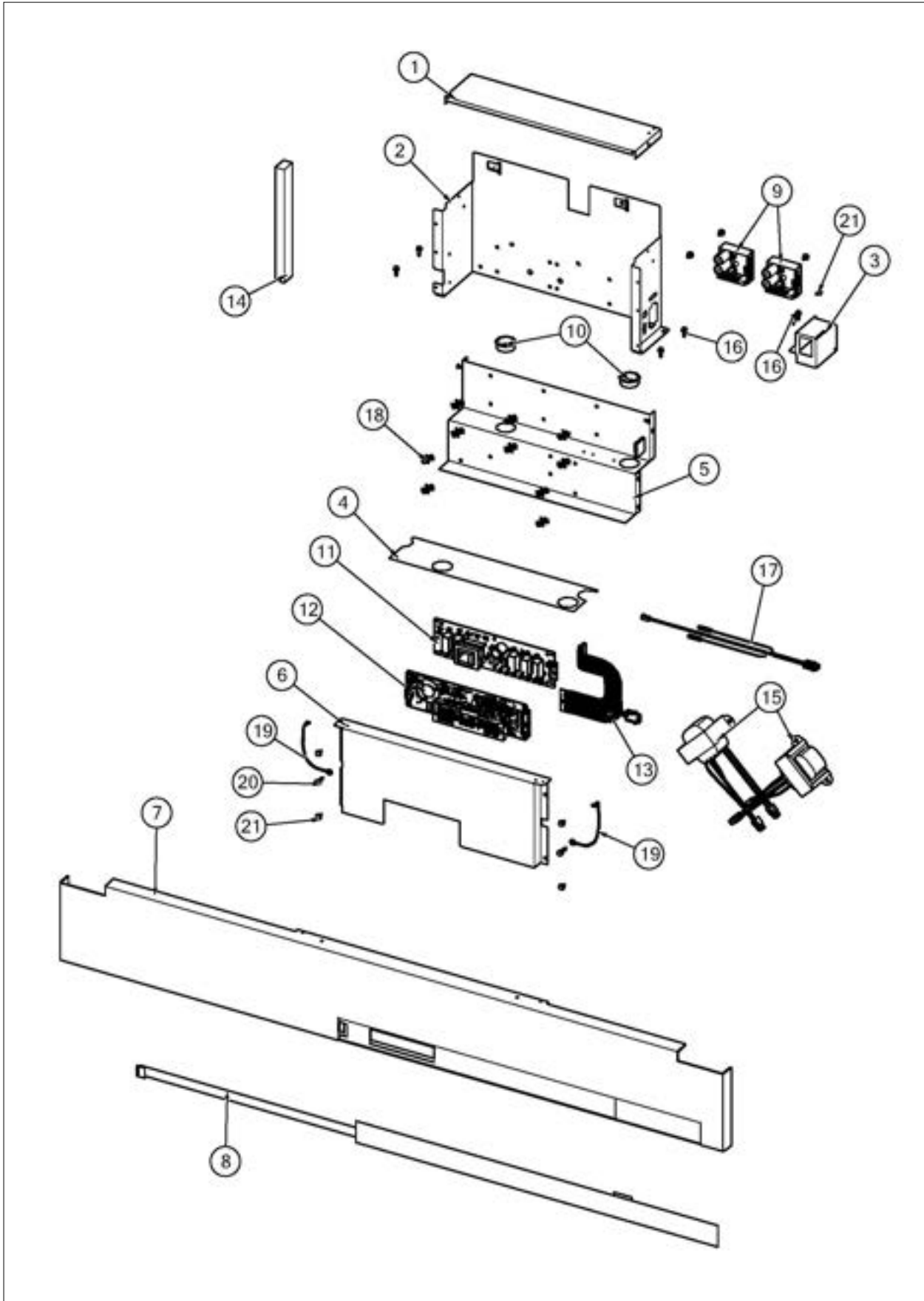
DECOR





Item	Part No.	Name	Qty	Uom	NOTES
1	053428-000	GRILLE, ASM, 48 SXS, PRO	1	EA	
2	045013-000	GRILLE, TOE, ASM, 48 SXS	1	EA	
3	053836-000	TRIM, SXS, DEEPER	2	EA	
4	045011-000	VENT, TOE, GRILLE, 48 SXS	1	EA	
5	045012-000	SOLID, TOE, GRILLE, 48 SXS	1	EA	
6	40370P01	WASHER, FLAT	4	EA	
7	016194-000	GRILLE LOWER SXS 48 DES	1	EA	
8	016197-000	GRILLE UPPER SXS 48 DES	1	EA	
9	052891-000	TAPE,DBL,SIDED ENDCAPS	1	EA	
10	PM910084	SUPPORT GRILLE 12201201	1	EA	
11	M0230028	SCREW-TC	1	EA	
12	PK050004	BRACKET GRILLE 5 SERIES	2	EA	
13	033729-000	ENDCAP, GRILLE, R, HINGE	1	EA	
14	033709-000	ENDCAP, GRILLE, L, HINGE	1	EA	
15	PM910349	END CAP GRILLE L	1	EA	
16	PM910348	ENP CAP GRILLE R	1	EA	
17	003004-000	8 - 18 X 1/2 ZN/CLR PHIL FLAT TRIM HD #5 TYPE AB TAPPING SCREW	14	EA	
21	PD020032	SRW-8(A)X3/8"PH.WFR HD 7/16DIA*NICL	18	EA	

CONTROL



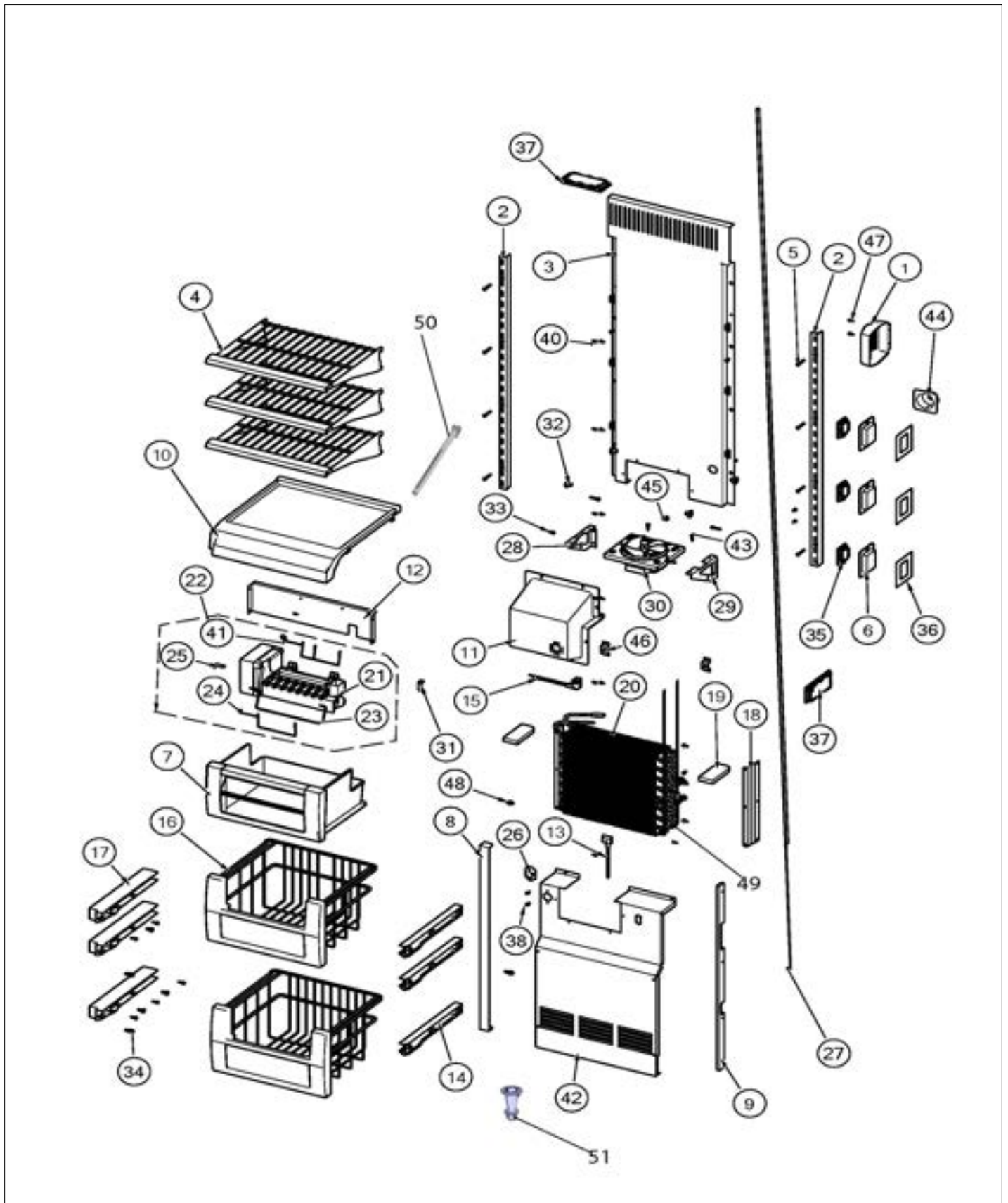


Item	Part No.	Name	Qty	Uom	NOTES
1	K20915000	CONTROL BOX TOP	1	EA	
2	047016-000	MOTOR CONTROL BOX	1	EA	
3	025433-000	BRACKET,SW,POWER	1	EA	
4	005396-000	FILM,PROTECTIVE	1	EA	
5	044479-000	MOTOR BRACKET PCB	1	EA	
6	016930-000	MOTR CONTROL BOX FRONT	1	EA	
7	016593-000	PANEL CONTROL SXS 48	1	EA	
8	054569-000	OVERLAY SWITCH ASM 48 SXS NON-DISP	1	EA	
9	046385-000	CIRCUIT, LED SOFT START	2	EA	
10	A4554817	BUSHING-SNAP VA4554817	2	EA	
11	005319-000	POWER CONTROL BOARD ASM	1	EA	
Comments for Part Num. 005319-000					
boltz on Apr 12, 2018 See TR-0056-SP Bulletin					
12	057309-000	BOARD, LOW VOLTAGE	1	EA	
Comments for Part Num. 057309-000					
gboltz@VikingRange.com on Apr 29, 2019 SEE TTR-0010 for installation					
13	PE970464	HARNESS LOW VOLT	1	EA	
14	A3030361	GASKET RED	1	EA	
15	046386-000	TRANSFORMER, LED SOFT START	2	EA	
16	PD020194	SCR, HEX SRTD WSHR HD, #8- 18 X 1/2	4	EA	
17	PE970609	HARNESS CONTROL BOARD	1	EA	
18	M0585504	SUPPORT	10	EA	
19	12064001	SUPP-CONT PANEL	2	EA	
20	M0238859	SCREW-SHLDR	2	EA	
21	PD020193	SCR 8-18 X 3/8	8	EA	
NI	048643-000	HARNESS, HIGH VOLTAGE	1	EA	
NI	048680-000	HARNESS, POWER SUPPLY, LED, BM/SXS	1	EA	



Item	Part No.	Name	Qty	Uom	NOTES
NI	A3189370	GASKET-FOAM VA3189370	1	EA	

FREEZER INTERIOR



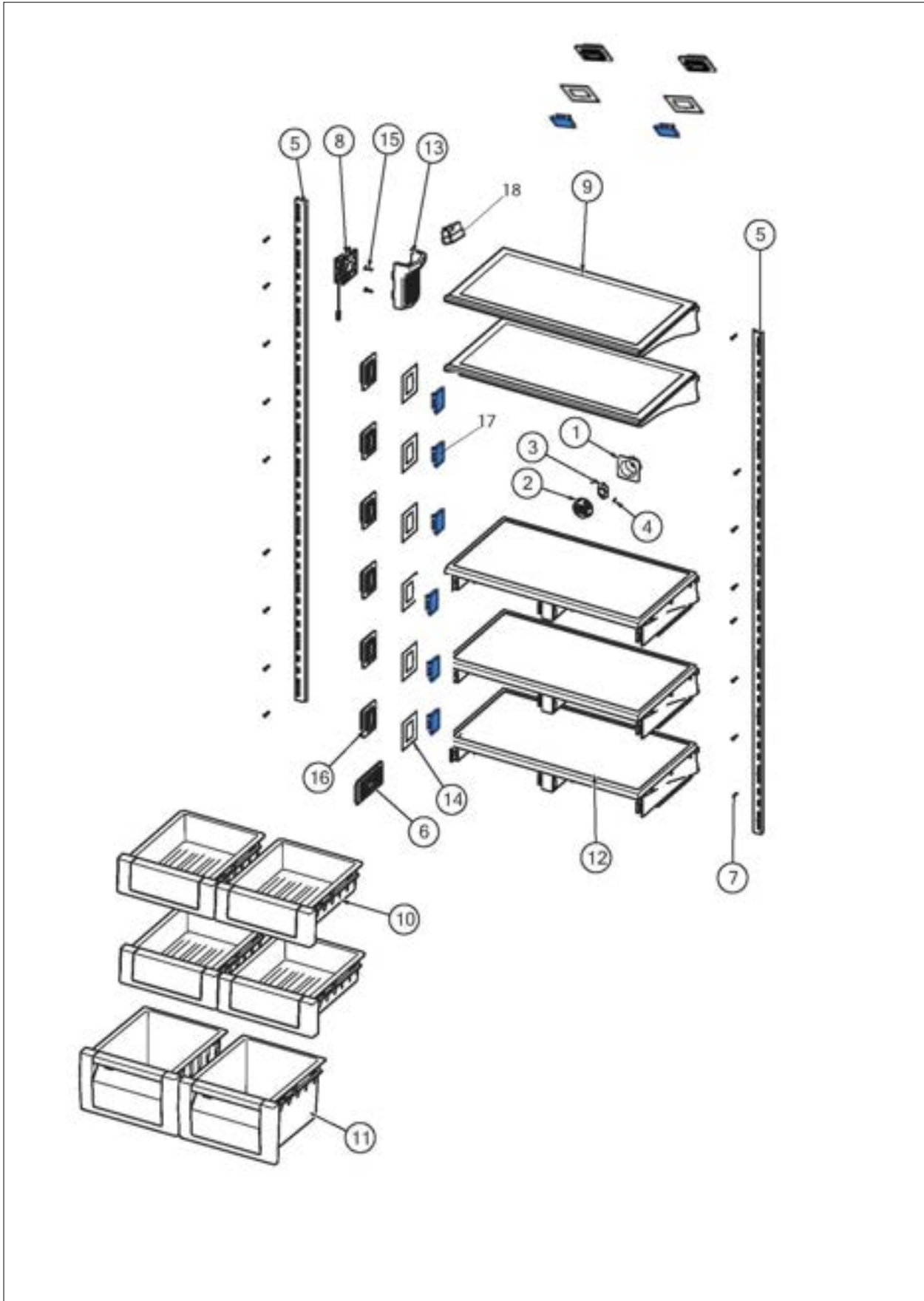


Item	Part No.	Name	Qty	Uom	NOTES
1	053283-000	COVER, FAN, SXS, FREEZER	1	EA	
2	071772-006	LADDER, FZ, L/R SIDE, 42/48	2	EA	
3	L2097181	COVER EVAP UPPER SXS 48	1	EA	
4	PM910411	SHELF WIRE 42/48	3	EA	
5	M0238535	SCREW-SM	8	EA	
6	046358-000	LED CUP ASSY (3) (NON-SERVICEABLE PART)	3	EA	
7	PK930076	ICE PAN ASM SXS 48	1	EA	
8	PK930073	CLOSEOUT SIDE SXS 48 FZ L	1	EA	
9	12304301	CLOSEOUT-FZ SIDE #	1	EA	
10	PK930079	SHELF COVER SXS 48 FZ	1	EA	
11	PK930150	COVER CTR EVAP SXS	1	EA	
12	C2097183	SUPPORT IM ND SXS 48	1	EA	
13	057783-000	EXTENSION, DFR, HEATER, AF 30/36	1	EA	
14	PK930074	GLIDE SXS 48 FZ R	3	EA	
15	058966-000	THERMOSTAT, SNAP ACTION, 55 OPEN 20 CLOSE	1	EA	
16	PM910190	BASKET ASM FZ	2	EA	
17	PK930075	GLIDE SXS 48 FZ L	3	EA	
18	053200-000	BRKT- EVAP COVER 12234801	1	EA	
19	10629001	BLOCK-R AIR COIL RED	2	EA	
20	G50910020	EVAP ASM SXS	1	EA	
21	G50911851	IM ASM, SXS & AF	1	EA	
22	057731-000	ICEMAKER 7SERIES BM, 5 SERIES	1	EA	
NI	023112-000	HARNESS,ICE MAKER	1	EA	
23	002329-000	ARM, IM SHUTOFF	1	EA	
24	007082-000	WIRE, IM SHUTOFF	1	EA	
25	PD030155	CLIP-IM FILL CUP	1	EA	
26	C8983701	THERMISTOR	1	EA	
27	053301-000	HEAT EXCHANGER ASM SXS 48	1	EA	
28	K2096458	BRKT-L-EVAP-FAN 12223102	1	EA	
29	K2096457	BRKT-R-EVAP FAN 12223101	1	EA	



Item	Part No.	Name	Qty	Uom	NOTES
30	076048-000	FAN, EVAP ASSY- SXS	1	EA	
31	10526701	CLAMP-WIRE V10526701	1	EA	
32	12258501	SUPPORT-SHELF	4	EA	
33	M0211021	SCREW-SM	4	EA	
34	PD020195	SCR 8-18 X 5/8	11	EA	
35	042764-000	LED LIGHT, 3-POINT	3	EA	
36	044694-000	LED SHIM, SMALL SINGLE (NON-SERVICEABLE PART)	6	EA	
37	042766-000	LED LIGHT, 8-POINT	2	EA	
38	M0253916	SCR 8-32 SHXW 3/8 TRI-LOBE	2	EA	
39	M0581001	GROMMET-SCREW	9	EA	
40	M0215318	SCREW-SM	16	EA	
41	054453-000	WIRE, IM, SHUTOFF	1	EA	
42	053191-000	COVER EVAP LOWER SXS	1	EA	
43	M0238859	SCREW-SHLDR	4	EA	
44	053258-000	COVER, SXS, WIRES	1	EA	
45	12102501	RET-HARNESS	2	EA	
46	K2096456	BRKT-EVAP CLIP 12215101	2	EA	
47	PD020194	SCR, HEX SRTD WSHR HD, #8- 18 X 1/2	2	EA	
48	M0581001	GROMMET-SCREW	1	EA	
49	PJ910031	HEATER EVAP SXS	1	EA	
50	060568-000	FILL TUBE	1	EA	
NI	A3189370	GASKET-FOAM VA3189370	1	EA	
NI	A3030303	GASKET	1	EA	
NI	A3030361	GASKET RED	2	EA	
NI	A3189348	GASKET-FOAM VA3189348	2	EA	
NI	M0321209	TIE-ELEC	1	EA	
51	PK030540	DRAIN TUBE SXS's & 36BM	1	EA	

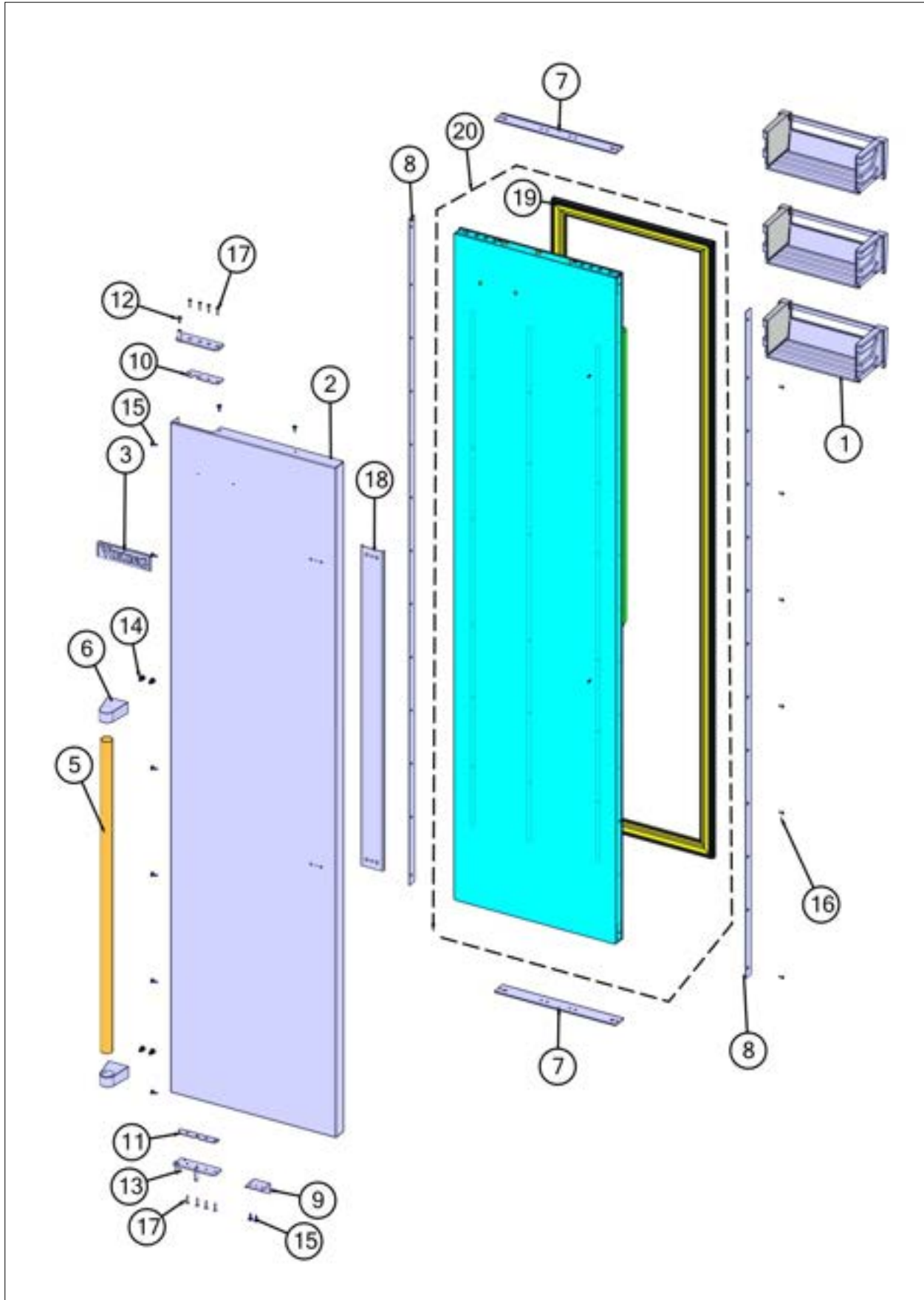
FRESH FOOD INTERIOR





Item	Part No.	Name	Qty	Uom	NOTES
1	053258-000	COVER, SXS, WIRES	1	EA	
2	053248-000	COVER, SXS, THERM	1	EA	
3	C8983701	THERMISTOR	1	EA	
4	M0215318	SCREW-SM	2	EA	
5	071770-006	LADDER, SXS, 42/48	2	EA	
6	053183-000	COVER, FF, SXS	1	EA	
7	013397-000	1" PAINTED LADDER SCREW	20	EA	
8	051008-000	FAN,AXIAL,80X80X25MM 24 VDC	1	EA	
9	042675-000	SHELF, GL, 48" GLASS SHELF ASSY	2	EA	
10	G32911938	DRAWER DELI ASM SXS 48 AR 30	4	EA	
11	012259-000	DRAWER PRODUCE ASM AR 30/48	2	EA	
12	045819-000	SHELF ASM 48 FOL	3	EA	
13	053302-000	COVER, FAN, FF, SXS, 42/48	1	EA	
14	044694-000	LED SHIM, SMALL SINGLE (NON-SERVICEABLE PART)	8	EA	
15	007301-000	GROMMET,RUBBER	2	EA	
16	046358-000	LED CUP ASSY (3) (NON-SERVICEABLE PART)	8	EA	
NI	011059-000	HARNESS, JUMPER	1	EA	
17	042764-000	LED LIGHT, 3-POINT	8	EA	
18	010093-000	PLASMA CLUSTER	1	EA	

FZ Door View



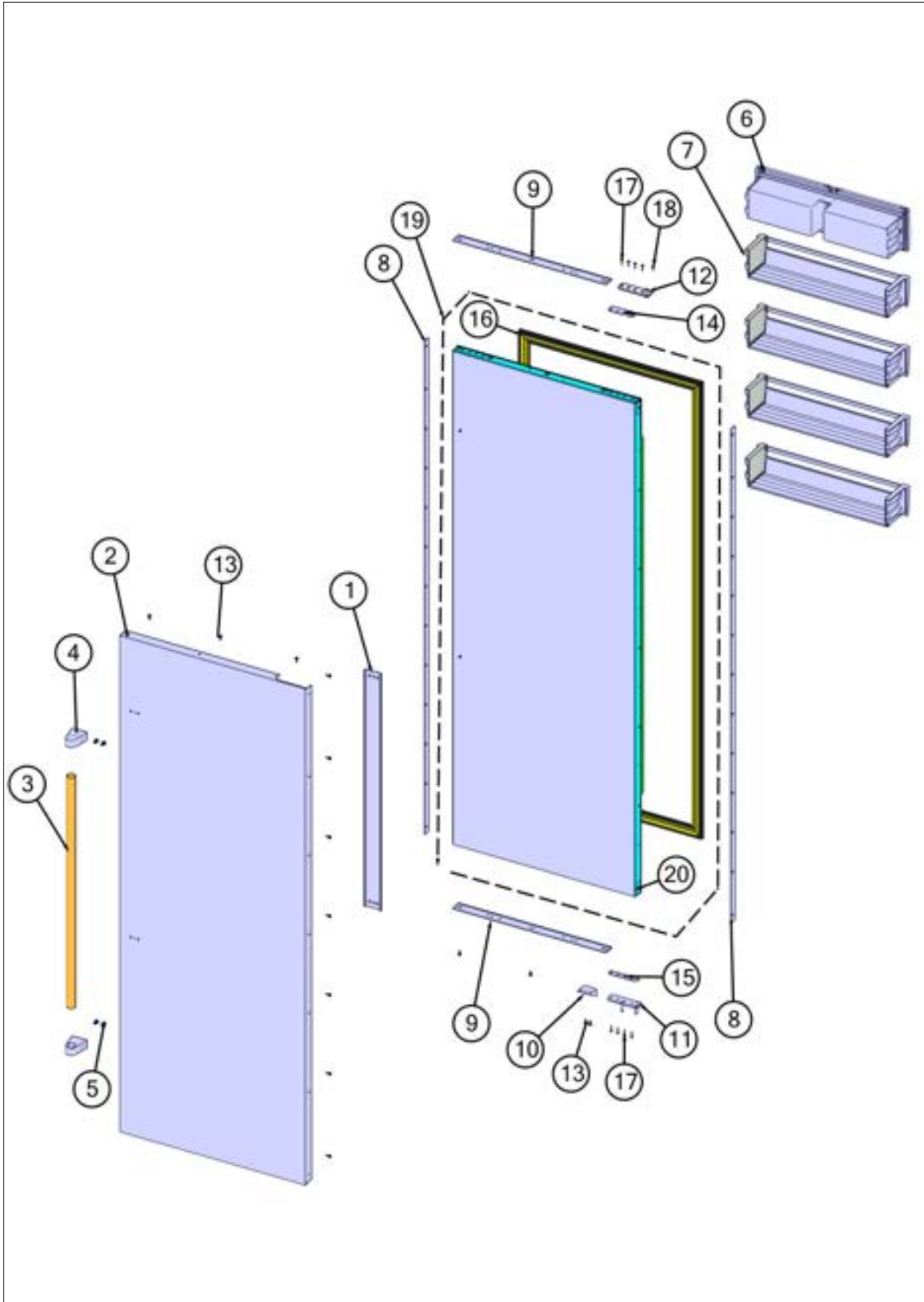


Item	Part No.	Name	Qty	Uom	NOTES
1	036888-000	DOORBIN ASM SXS FZ	3	EA	
2	067811-000	SKIN, DOOR, SXS 48 PRO FZ, SS	1	EA	
2	067867-002	SKIN, DOOR, SXS 48 PRO FZ BK	1	EA	
2	067867-005	SKIN, DOOR, SXS 48 PRO FZ GG	1	EA	
2	067867-006	SKIN, DOOR, SXS 48 PRO FZ WH	1	EA	
2	067867-008	SKIN, DOOR, SXS 48 PRO FZ BU	1	EA	
2	067867-013	SKIN, DOOR, SXS 48 PRO FZ CB	1	EA	
2	067867-024	SKIN, DOOR, SXS 48 PRO FZ AR	1	EA	
2	067867-2801	FZ, 48" Door Skin - Kalamata Red (KA)	1	EA	
2	067867-2847	FZ, 48" Door Skin - Blackforest Green (BF)	1	EA	
2	067867-6180	FZ, 48" Door Skin - Cypress Green (CY)	1	EA	
2	067867-6258	FZ, 48" Door Skin - Cast Black (CS)	1	EA	
2	067867-6421	FZ, 48" Door Skin - Vanilla Cream (VC)	1	EA	
2	067867-6765	FZ, 48" Door Skin - Bywater Blue (BW)	1	EA	
2	067867-6797	FZ, 48" Door Skin - Alluvial Blue (AB)	1	EA	
2	067867-6871	FZ, 48" Door Skin - San Marzano Red (SM)	1	EA	
2	067867-7024	FZ, 48" Door Skin - Pacific Grey (PG)	1	EA	
2	067867-7070	FZ, 48" Door Skin - Frost White (FW)	1	EA	
2	067867-7585	FZ, 48" Door Skin - Reduction Red (RE)	1	EA	
2	067867-7652	FZ, 48" Door Skin - Artic Grey (AG)	1	EA	
2	067867-7674	FZ, 48" Door Skin - Damascus Grey (DG)	1	EA	
2	067867-9178	FZ, 48" Door Skin - Slate Blue (SB)	1	EA	



Item	Part No.	Name	Qty	Uom	NOTES
3	062341-000	NAMEPLATE, VIKING, 3.500", W/LOC PINS 5 SERIES	1	EA	
5	030894-000	HANDLE, DOOR 36" BRIGADE	1	EA	
6	026965-000	END CAP, ASM, DOOR HANDLE	2	EA	
7	056842-000	TRIM, FRZ, TOP/BTM, 48	2	EA	
8	014581-000	SPACER, TRIM, SXS, AF, AR	2	EA	
9	044314-000	STRIKER, DOOR SWITCH	1	EA	
10	044859-000	SPACER 4-HOLE, SILVER POWDER COATED	1	EA	
11	PD040162	SPACER-DOOR HINGE	1	EA	
12	PD020234	SCREW THP 10-32 X .500 SS BO	1	EA	
13	044344-000	PIVOT PL ASM LH LW PRO/DES	1	EA	
14	035647-000	BOLT, FASTENER, HXH, SST	4	EA	
15	M0210458	SCR 8-18 X 5/8 WAFER PH SMS	11	EA	
16	M0215318	SCREW-SM	7	EA	
17	PD920174	10X7/8 PHILLIPS SMA TRI LOBE SA	8	EA	
18	042374-000	BRACKET, HANDLE SUPPORT	1	EA	
19	005455-000	GASKET, ASM, 48, SXS, FZ VID# 602711917-17	1	EA	
20	052763-000	DOOR ASM 48 FZ	1	EA	

VCSB5483SS01 FRESH FOOD DOOR





Item	Part No.	Name	Qty	Uom	NOTES
1	042374-000	BRACKET, HANDLE SUPPORT	1	EA	
2	044037-000	SKIN, DOOR, SXS 48 PRO FF SS	1	EA	
2	054695-002	SKIN, DOOR, SXS 48 PRO FF BK	1	EA	
2	054695-005	SKIN, DOOR, SXS 48 PRO FF GG	1	EA	
2	054695-006	SKIN, DOOR, SXS 48 PRO FF WH	1	EA	
2	054695-008	SKIN, DOOR, SXS 48 PRO FF BU	1	EA	
2	054695-013	SKIN, DOOR, SXS 48 PRO FF CB	1	EA	
2	054695-024	SKIN, DOOR, SXS 48 PRO FF AR	1	EA	
2	054695-2801	FF, 48" Door Skin - Kalamata Red (KA)	1	EA	
2	054695-2847	FF, 48" Door Skin - Blackforest Green (BF)	1	EA	
2	054695-6180	FF, 48" Door Skin - Cypress Green (CY)	1	EA	
2	054695-6258	FF, 48" Door Skin - Cast Black (CS)	1	EA	
2	054695-6421	FF, 48" Door Skin - Vanilla Cream (VC)	1	EA	
2	054695-6765	FF, 48" Door Skin - Bywater Blue (BW)	1	EA	
2	054695-6797	FF, 48" Door Skin - Alluvial Blue (AB)	1	EA	
2	054695-6871	FF, 48" Door Skin - San Marzano Red (SM)	1	EA	
2	054695-7024	FF, 48" Door Skin - Pacific Grey (PG)	1	EA	
2	054695-7070	FF, 48" Door Skin - Frost White (FW)	1	EA	
2	054695-7585	FF, 48" Door Skin - Reduction Red (RE)	1	EA	
2	054695-7652	FF, 48" Door Skin - Artic Grey (AG)	1	EA	
2	054695-7674	FF, 48" Door Skin - Damascus Grey (DG)	1	EA	
2	054695-9178	FF, 48" Door Skin - Slate Blue (SB)	1	EA	



Item	Part No.	Name	Qty	Uom	NOTES
3	030894-000	HANDLE, DOOR 36" BRIGADE	1	EA	
4	026965-000	END CAP, ASM, DOOR HANDLE	2	EA	
5	035647-000	BOLT, FASTENER, HXH, SST	4	EA	
6	V12203602	DAIRY MODULE ASSY #	1	EA	
7	036886-000	DOORBIN ASM SXS 48 FF	4	EA	
8	014581-000	SPACER, TRIM, SXS, AF, AR	2	EA	
9	056841-000	TRIM, FF, TOP/BTM, 48	2	EA	
10	044314-000	STRIKER, DOOR SWITCH	1	EA	
11	044063-000	PIVOT PL ASM RH LW PRO/DES	1	EA	
12	044361-000	UPPER PIVOT PLATE ASM, RH, SXS, AF/AR	1	EA	
13	M0210458	SCR 8-18 X 5/8 WAFER PH SMS	14	EA	
14	044859-000	SPACER 4-HOLE, SILVER POWDER COATED	1	EA	
15	PD040162	SPACER-DOOR HINGE	1	EA	
16	005454-000	GASKET, ASM, 48, SXS, FF	1	EA	
17	PD920174	10X7/8 PHILLIPS SMA TRI LOBE SA	8	EA	
18	PD020234	SCREW THP 10-32 X .500 SS BO	1	EA	
19	052761-000	DOOR ASM 48 FF	1	EA	
20	052655-000	DOOR FOAM ASM SXS 48 FF	1	EA	



Appendix A:Pages Index

CONTROL 4
DECOR 3
FREEZER INTERIOR 5
FRESH FOOD INTERIOR 6
FZ Door View 7
UNIT BOTTOM 2
UNIT TOP 1
VCSB5483SS01 FRESH FOOD DOOR 8



Appendix B:Parts Index

000537-000	2	043371-000	1
000538-000	2	044026-000	2
000570-000	1, 2	044034-000	2
002329-000	5	044037-000	8
003004-000	3	044046-000	2
003867-000	2	044063-000	8
005319-000	4	044314-000	7, 8
005396-000	4	044344-000	7
005454-000	8	044358-000	1
005455-000	7	044359-000	1
007082-000	5	044361-000	8
007301-000	6	044370-000	2
010093-000	6	044372-000	2
011059-000	6	044373-000	2
011332-000	2	044374-000	2
012259-000	6	044377-000	2
013112-000	2	044479-000	4
013397-000	6	044511-000	2
014190-000	1	044694-000	5, 6
014519-000	1	044859-000	7, 8
014581-000	7, 8	044939-000	2
016194-000	3	045011-000	3
016197-000	3	045012-000	3
016593-000	4	045013-000	3
016930-000	4	045819-000	6
023112-000	5	046062-000	2
025433-000	4	046063-000	2
026965-000	7, 8	046358-000	5, 6
030894-000	7, 8	046385-000	4
033709-000	3	046386-000	4
033729-000	3	047016-000	4
035647-000	7, 8	048643-000	4
036886-000	8	048680-000	4
036888-000	7	050903-000	1
042374-000	7, 8	050926-000	1
042675-000	6	051008-000	6
042764-000	5, 6	052655-000	8
042766-000	5	052700-000	1
043258-000	2	052761-000	8
043261-000	2	052763-000	7
		052891-000	3



053183-000	6	060568-000	5
053191-000	5	060890-000	2
053200-000	5	060891-000	2
053248-000	6	062341-000	7
053258-000	5, 6	062775-000	1
053261-000	2	067811-000	7
053283-000	5	067867-002	7
053301-000	5	067867-005	7
053302-000	6	067867-006	7
053428-000	3	067867-008	7
053836-000	3	067867-013	7
054407-000	1	067867-024	7
054453-000	5	067867-2801	7
054569-000	4	067867-2847	7
054695-002	8	067867-6180	7
054695-005	8	067867-6258	7
054695-006	8	067867-6421	7
054695-008	8	067867-6765	7
054695-013	8	067867-6797	7
054695-024	8	067867-6871	7
054695-2801	8	067867-7024	7
054695-2847	8	067867-7070	7
054695-6180	8	067867-7585	7
054695-6258	8	067867-7652	7
054695-6421	8	067867-7674	7
054695-6765	8	067867-9178	7
054695-6797	8	068353-000	1
054695-6871	8	071770-006	6
054695-7024	8	071772-006	5
054695-7070	8	076048-000	5
054695-7585	8	10526701	5
054695-7652	8	10547001	1
054695-7674	8	10629001	5
054695-9178	8	10699601	1
056841-000	8	12064001	4
056842-000	7	12102501	5
057309-000	4	12258501	5
057731-000	5	12304301	5
057783-000	5	40370P01	3
058966-000	5	A3030303	5
059105-000	1	A3030361	4, 5



A3189348	5	M0581001	5, 5
A3189370	1, 4, 5	M0585504	4
A4554817	2, 4	PA970012	2
B20915627	2	PB970187	1
C2097183	5	PB970188	1
C8983701	5, 6	PC910015	2
F20915693	2	PD020032	3
F2096504	1	PD020193	4
F2096507	1	PD020194	1, 2, 4, 5
F2097740	1	PD020195	5
G32911938	6	PD020233	1
G32913789	2	PD020234	7, 8
G50910020	5	PD020274	2
G50911851	5	PD030118	1
G50911853	2, 2	PD030146	2
K20911831	2	PD030155	5
K20913788	2	PD040162	7, 8
K20915000	4	PD920174	7, 8
K20915952	2	PD940094	2
K2096456	5	PD940107	2
K2096457	5	PE050248	2
K2096458	5	PE950149	1
K2096943	1	PE970464	4
K2098044	2	PE970609	4
K2098096	2	PJ910031	5
K2099454	1	PK030540	5
L20914124	2	PK050004	3
L2097181	5	PK930073	5
M0104102	2	PK930074	5
M0104106	1, 2	PK930075	5
M0210458	7, 8	PK930076	5
M0211021	5	PK930079	5
M0215318	5, 6, 7	PK930150	5
M0220417	2, 2	PK930348	2
M0221523	2	PM010555	2
M0230028	3	PM010616	1
M0238535	5	PM910084	3
M0238859	4, 5	PM910190	5
M0253916	5	PM910348	3
M0321209	5	PM910349	3
M0322202	1	PM910411	5



V12203602 8