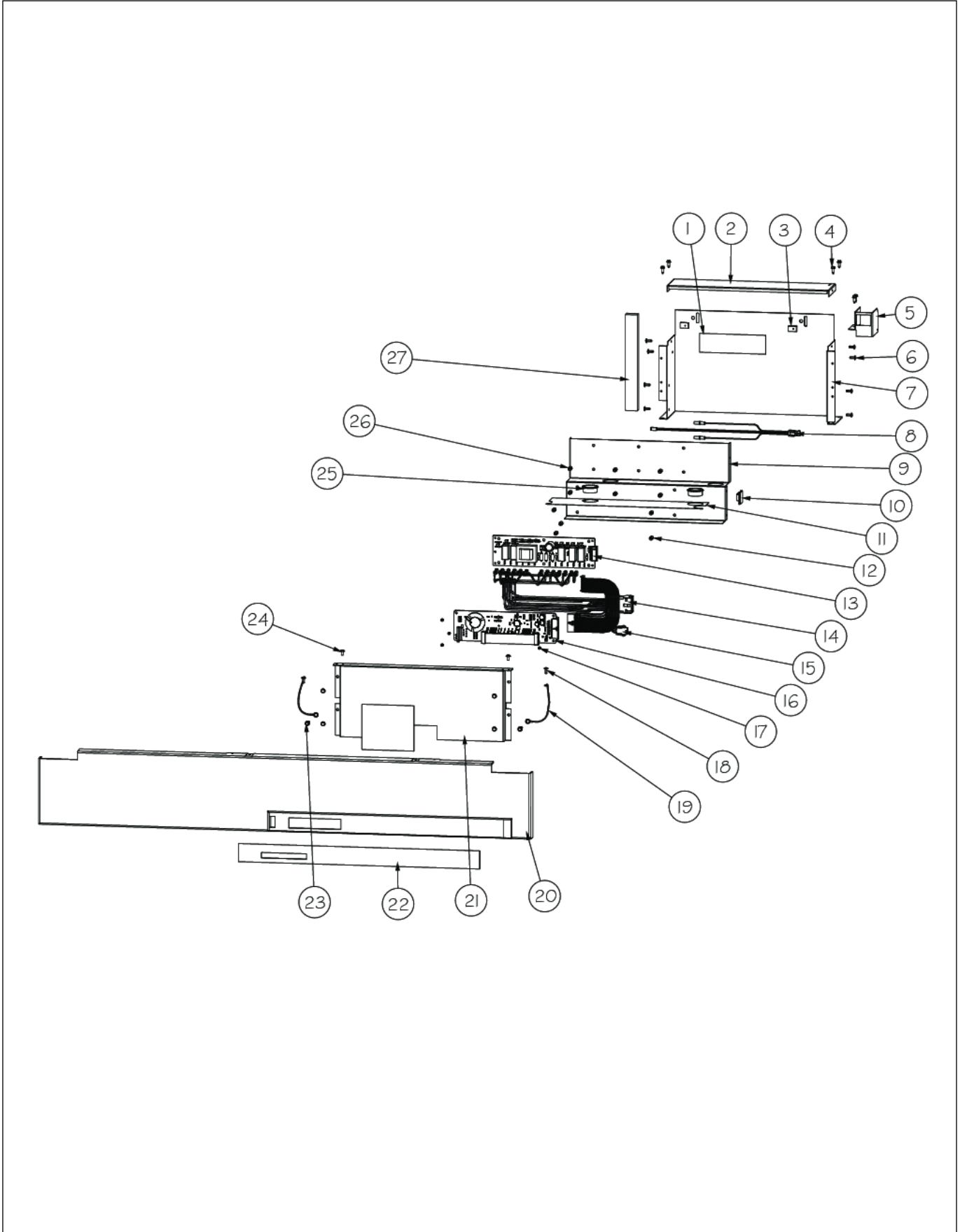


**VCSB548D**

CONTROL ASSEMBLY .....	1
EXTERIOR ASSEMBLY .....	2
FREEZER DOOR ASSEMBLY .....	3
FREEZER INTERIOR ASSEMBLY .....	4
LOW SIDE ASSEMBLY .....	5
LOWER UNIT ASSEMBLY .....	6
MC COVER AND GRILLE ASSEMBLY .....	7
REFRIG DOOR ASSEMBLY .....	8
REFRIG INTERIOR ASSEMBLY .....	9
SEALED SYSTEM ASSEMBLY .....	10
WIRING .....	11
Appendix A:Pages Index .....	A
Appendix B:Parts Index .....	B

CONTROL ASSEMBLY



Item	Part No.	Name	Qty	Uom	NOTES
1	PF930672	LABEL DC COMPRESSOR	2	EA	
2	K20915000	CONTROL BOX TOP	1	EA	
3	M0288120	NUT-SPEED VM0288120	2	EA	
4	PD020194	SCR, HEX SRTD WSHR HD, #8-18 X 1/2	10	EA	
5	K2098654	BRACKET SWITCH POWER	1	EA	
6	PC040010	POP RIVET (.063/GR -.125) GAMD42-A	8	EA	
7	K2099402	CONTROL BOX	1	EA	
8	PE970609	HARNESS CONTROL BOARD	1	EA	
9	K20910060	BRACKET - PC	1	EA	
10	M0104106	CLIP-CORD VM0104106	1	EA	
11	005396-000	FILM,PROTECTIVE	1	EA	
12	M0585506	SUPPORT	5	EA	
13	005319-000	POWER CONTROL BOARD ASM 5 SERIES	1	EA	

Comments for Part Num. 005319-000

boltz on Apr 12, 2018  
See TR-0056-SP Bulletin

14	015365-000	HARNESS HIGH VOLT	1	EA	
15	PE970464	HARNESS LOW VOLT	1	EA	
16	PE070728	BOARD LOW VOLTAGE	1	EA	

Comments for Part Num. PE070728

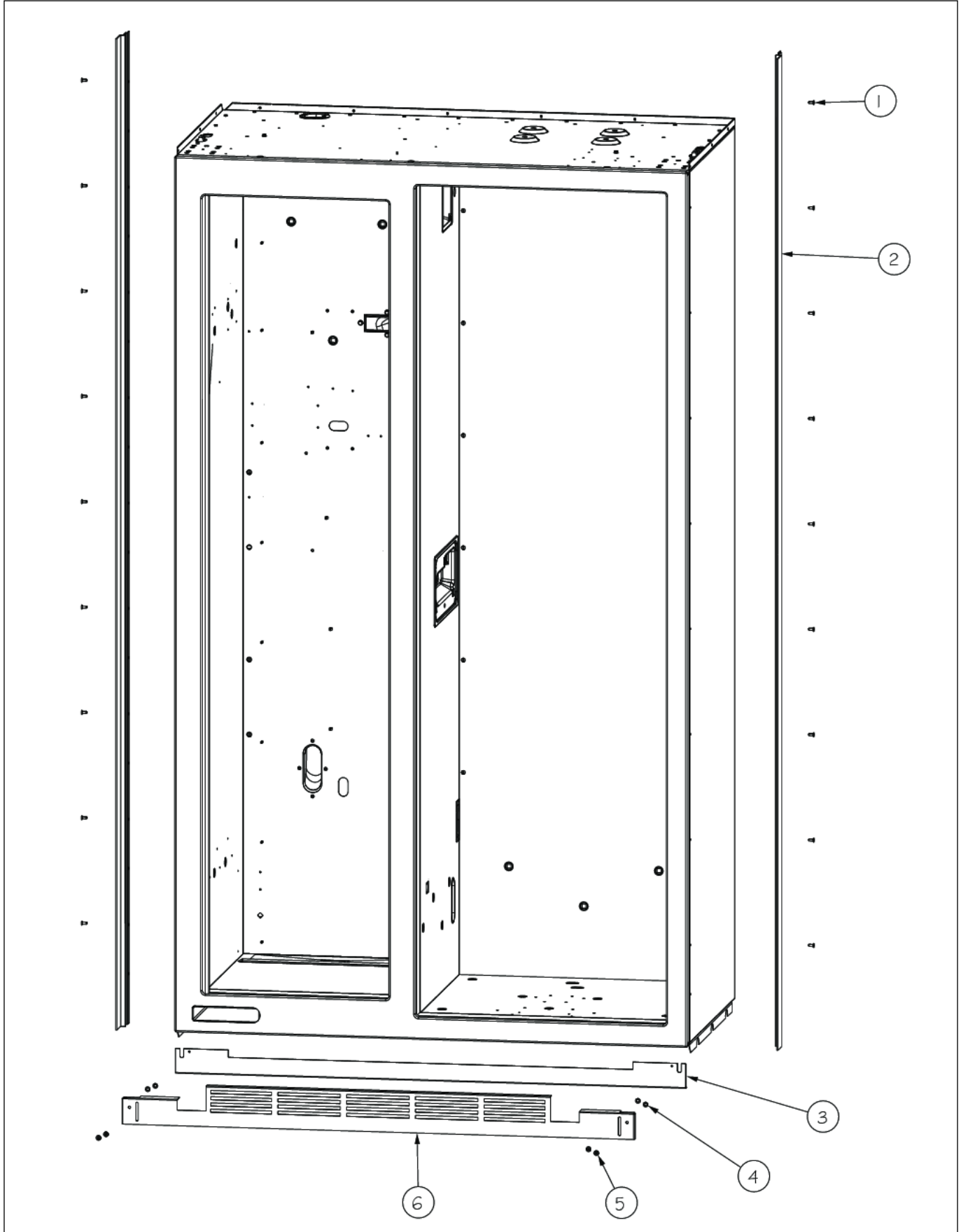
bradleysapplianceservice@shaw.ca on Apr 27, 2016  
COULD ALSO USE: 002670-000 LOW VOLTAGE BOARD KIT ANALOG - INCLUDES WIRE HARNESS

17	PD020013	TYPE "AB" #6 X 3/8 PH PAN HD. SMS	5	EA	
18	PC040010	POP RIVET (.063/GR -.125) GAMD42-A	1	EA	
19	12064001	SUPP-CONT PANEL	2	EA	
20	016593-000	PANEL CONTROL SXS 48	1	EA	
21	K20910061	CONTROL BOX FRONT	1	EA	
22	010490-000	OVERLAY SWITCH SXS 48 DISP	1	EA	



Item	Part No.	Name	Qty	Uom	NOTES
23	M0238846	SCREW-SHLDR	2	EA	
24	M0224128	SCREW-SM	2	EA	
25	A4554817	BUSHING-SNAP VA4554817	2	EA	
26	M0585504	SUPPORT	6	EA	
27	A3030361	GASKET RED	1	EA	

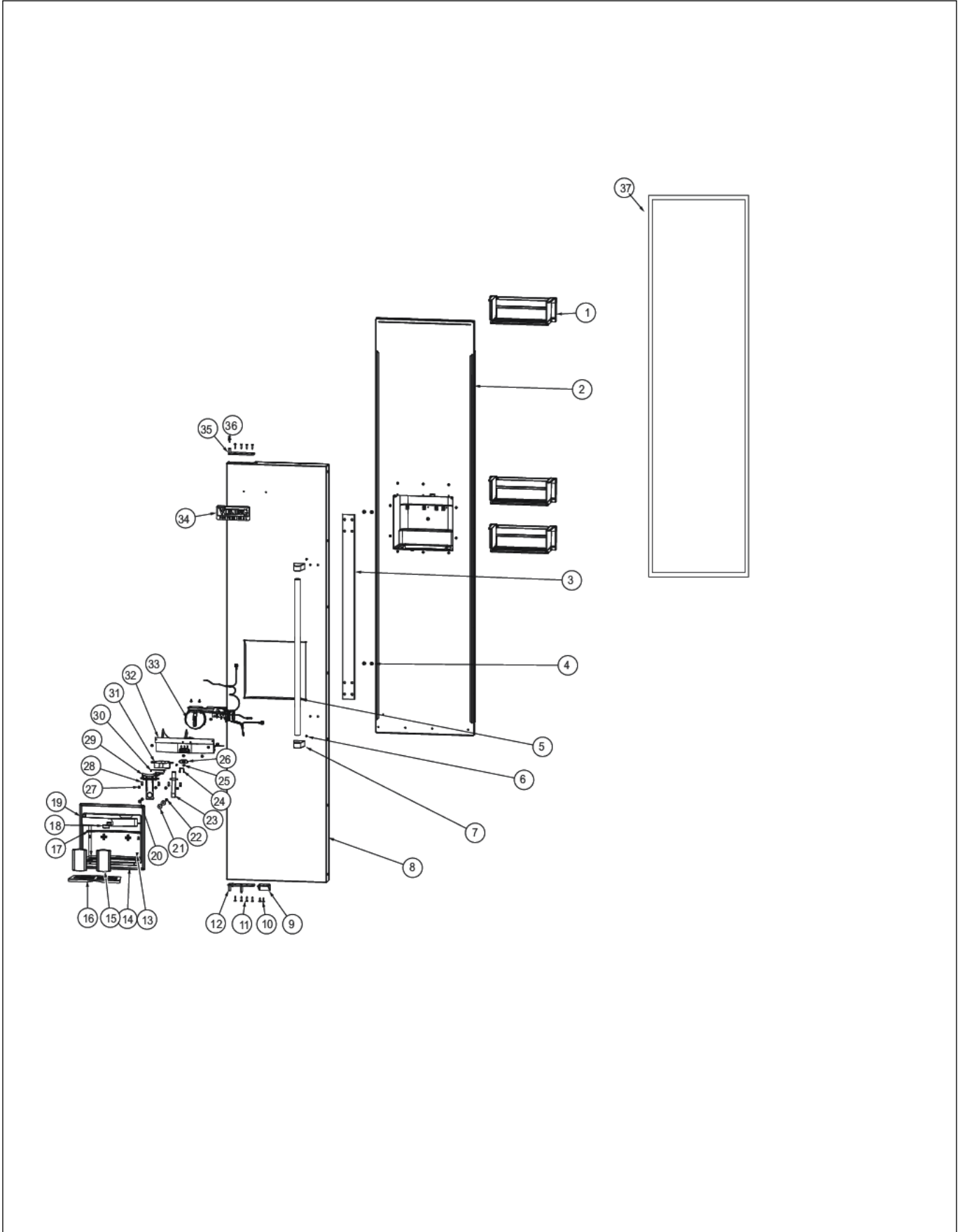
EXTERIOR ASSEMBLY





Item	Part No.	Name	Qty	Uom	NOTES
1	M0215318	SCREW-SM	18	EA	
2	PK910123	SIDE TRIM - PRO	2	EA	
3	015553-000	VENT,TOE,GRILLE,48 SXS	1	EA	
4	40370P01	NYLON FLAT WASHER V40370P01	4	EA	
5	M0210443	SCREW-E SM VM0210443	4	EA	
6	015552-000	GRILLE TOE VENTED	1	EA	
NI	045013-000	GRILLE, TOE, ASM, 48 SXS	1	EA	
Not Shown	NOTE	(INCLUDES ITEMS 3, 4, 5, AND 6)		EA	

FREEZER DOOR ASSEMBLY



Item	Part No.	Name	Qty	Uom	NOTES
1	036888-000	DOORBIN ASM SXS FZ	3	EA	
2	007052-000	DOOR FOAM ASM SXS 48D FZ	1	EA	
3	013328-000	BRKT,HANDLE,SUPPORT,PRO	1	EA	
4	M0204303	SCREW-MACH	4	EA	
5	012891-000	HANDLE,PRO	1	EA	
6	PD020043	#6-32 X .750 PH. CTRSK T(F)-VGSO166	1	EA	
7	000268-000	HANDLE ENDCAP		EA	
NI	000268-100	HANDLE ENDCAP BRASS		EA	
8	013335-000	SKIN,DOOR,SXS 48 DISP FZ PRO SS	1	EA	
Not Shown	NOTE	(MUST ORDER 2X 000657-000)		EA	
8	009648-002	SKIN,DOOR,SXS 48 DISP PRO FZ BK	1	EA	Not available online / Call for pricing and availability
Not Shown	NOTE	(MUST ORDER 2X 000657-000)		EA	
8	009648-003	SKIN,DOOR,SXS 48 DISP PRO FZ BT	1	EA	Not available online / Call for pricing and availability
Not Shown	NOTE	(MUST ORDER 2X 000657-000)		EA	
8	009648-004	SKIN,DOOR,SXS 48 DISP PRO FZ SG	1	EA	Not available online / Call for pricing and availability
Not Shown	NOTE	(MUST ORDER 2X 000657-000)		EA	
8	009648-005	SKIN,DOOR,SXS 48 DISP PRO FZ GG	1	EA	Not available online / Call for pricing and availability
Not Shown	NOTE	(MUST ORDER 2X 000657-000)		EA	
8	009648-006	SKIN,DOOR,SXS 48 DISP PRO FZ WH	1	EA	
Not Shown	NOTE	(MUST ORDER 2X 000657-000)		EA	
8	009648-007	SKIN,DOOR,SXS 48 DISP PRO FZ AL	1	EA	Not available online / Call for pricing and availability



Item	Part No.	Name	Qty	Uom	NOTES
Not Shown	NOTE	(MUST ORDER 2X 000657-000)		EA	
8	009648-008	SKIN,DOOR,SXS 48 DISP PRO FZ BU	1	EA	Not available online / Call for pricing and availability
Not Shown	NOTE	(MUST ORDER 2X 000657-000)		EA	
8	009648-009	SKIN,DOOR,SXS 48 DISP PRO FZ LE	1	EA	
Not Shown	NOTE	(MUST ORDER 2X 000657-000)		EA	
8	009648-010	SKIN,DOOR,SXS 48 DISP PRO FZ MJ	1	EA	Not available online / Call for pricing and availability
Not Shown	NOTE	(MUST ORDER 2X 000657-000)		EA	
8	009648-011	SKIN,DOOR,SXS 48 DISP PRO FZ FG	1	EA	Not available online / Call for pricing and availability
Not Shown	NOTE	(MUST ORDER 2X 000657-000)		EA	
8	009648-012	SKIN,DOOR,SXS 48 DISP PRO FZ VB	1	EA	Not available online / Call for pricing and availability
Not Shown	NOTE	(MUST ORDER 2X 000657-000)		EA	
8	009648-013	SKIN,DOOR,SXS 48 DISP PRO FZ CB	1	EA	Not available online / Call for pricing and availability
Not Shown	NOTE	(MUST ORDER 2X 000657-000)		EA	
8	009648-014	SKIN,DOOR,SXS 48 DISP PRO FZ EP	1	EA	Not available online / Call for pricing and availability
Not Shown	NOTE	(MUST ORDER 2X 000657-000)		EA	
8	009648-015	SKIN,DOOR,SXS 48 DISP PRO FZ PL	1	EA	Not available online / Call for pricing and availability
Not Shown	NOTE	(MUST ORDER 2X 000657-000)		EA	



Item	Part No.	Name	Qty	Uom	NOTES
8	009648-016	SKIN,DOOR,SXS 48 DISP PRO FZ CH	1	EA	
Not Shown	NOTE	(MUST ORDER 2X 000657-000)		EA	
8	009648-017	SKIN,DOOR,SXS 48 DISP PRO FZ TP	1	EA	Not available online / Call for pricing and availability
Not Shown	NOTE	(MUST ORDER 2X 000657-000)		EA	
8	009648-018	SKIN,DOOR,SXS 48 DISP PRO FZ CW	1	EA	Not available online / Call for pricing and availability
Not Shown	NOTE	(MUST ORDER 2X 000657-000)		EA	
8	009648-019	SKIN,DOOR,SXS 48 DISP PRO FZ OG	1	EA	Not available online / Call for pricing and availability
Not Shown	NOTE	(MUST ORDER 2X 000657-000)		EA	
8	009648-020	SKIN,DOOR,SXS 48 DISP PRO FZ GM	1	EA	Not available online / Call for pricing and availability
Not Shown	NOTE	(MUST ORDER 2X 000657-000)		EA	
8	009648-021	SKIN,DOOR,SXS 48 DISP PRO FZ SA	1	EA	Not available online / Call for pricing and availability
Not Shown	NOTE	(MUST ORDER 2X 000657-000)		EA	
8	009648-022	SKIN,DOOR,SXS 48 DISP PRO FZ SE	1	EA	Not available online / Call for pricing and availability
Not Shown	NOTE	(MUST ORDER 2X 000657-000)		EA	
8	009648-023	SKIN,DOOR,SXS 48 DISP PRO FZ IB	1	EA	Not available online / Call for pricing and availability
Not Shown	NOTE	(MUST ORDER 2X 000657-000)		EA	

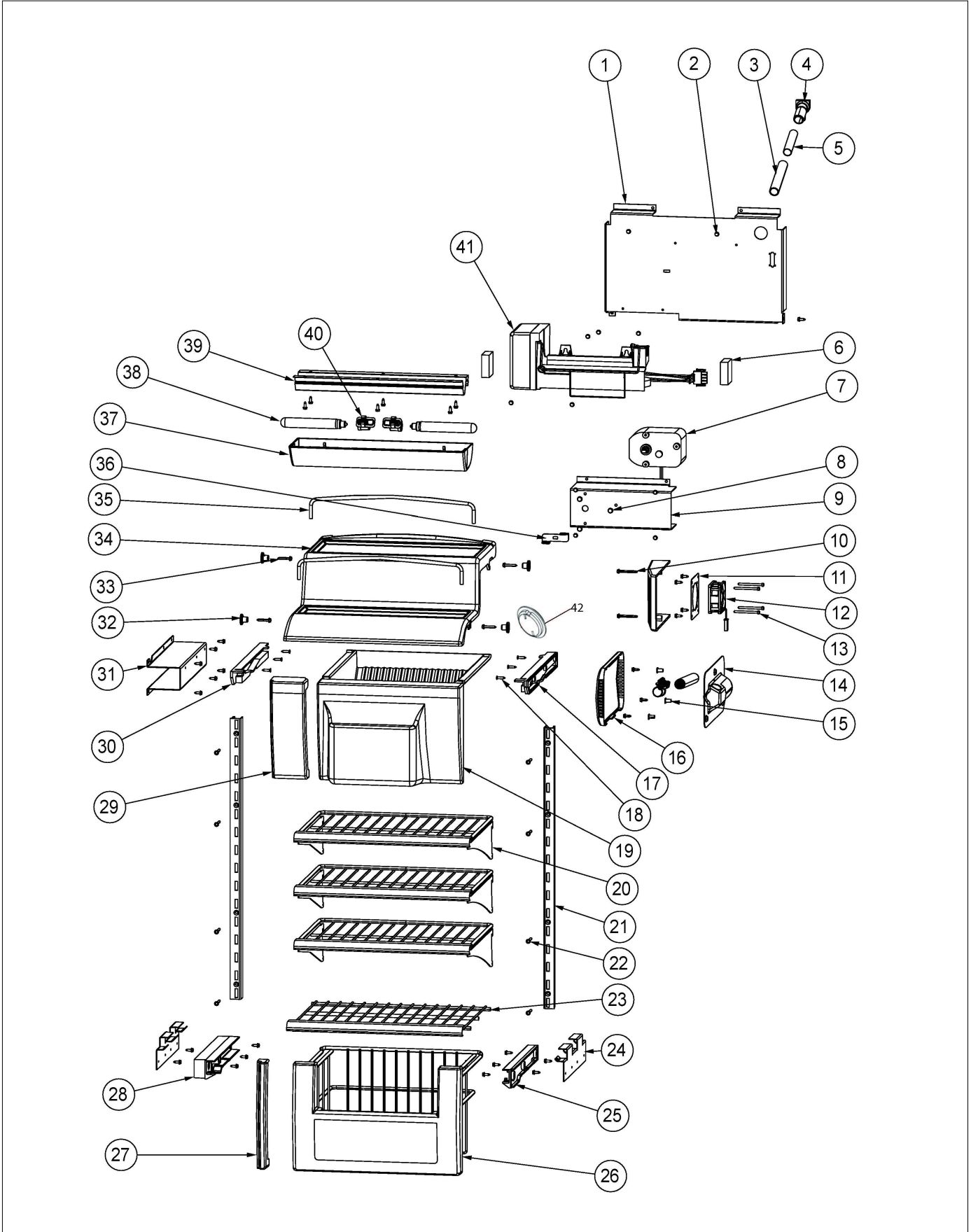


Item	Part No.	Name	Qty	Uom	NOTES
8	009648-024	SKIN,DOOR,SXS 48 DISP PRO FZ AR	1	EA	Not available online / Call for pricing and availability
Not Shown	NOTE	(MUST ORDER 2X 000657-000)		EA	
8	009648-025	SKIN,DOOR,SXS 48 DISP PRO FZ RR	1	EA	Not available online / Call for pricing and availability
Not Shown	NOTE	(MUST ORDER 2X 000657-000)		EA	
8	009648-026	SKIN,DOOR,SXS 48 DISP PRO FZ PM	1	EA	Not available online / Call for pricing and availability
Not Shown	NOTE	(MUST ORDER 2X 000657-000)		EA	
8	009648-027	SKIN,DOOR,SXS 48 DISP PRO FZ MS	1	EA	Not available online / Call for pricing and availability
Not Shown	NOTE	(MUST ORDER 2X 000657-000)		EA	
9	PD050019	STRIKER DOOR SWITCH	1	EA	
10	M0210458	SCR 8-18 X 5/8 WAFER PH SMS	2	EA	
11	PD920174	10X7/8 PHILLIPS SMA TRI LOBE SA	8	EA	
12	016182-000	PIVOT PL ASM LH LW PRO/DES	1	EA	
13	M0215318	SCREW-SM	4	EA	
14	011672-000	BEZEL I/W DISPENSER PRO	1	EA	
Comments for Part Num. 011672-000					
parts@lvdistributes.com on Dec 15, 2017					
PART IS NLA					
15	009631-000	PADDLE,ASM	2	EA	
16	013688-000	TRAY,SPILL, I/W DISP, PRO, DF 42D&48D	1	EA	
17	036580-000	STOP, E FACADE	1	EA	
18	013685-000	CAP, SWITCH	1	EA	
19	015156-000	INSERT,FACADE,DES, I/W DISPENSER	1	EA	



Item	Part No.	Name	Qty	Uom	NOTES
20	PD040071	#10 S.S. FLAT WASHER	1	EA	
21	M0270546	WASHER	2	EA	
22	M0210443	SCREW-E SM VM0210443	2	EA	
23	PK930404	ARM WATER ACTUATOR	1	EA	
24	B8385402	SPRING-RETURN	1	EA	
25	003334-000	SCR, #4-24 X 1/2	2	EA	
26	PE950152	SWITCH SLIDE	1	EA	
27	PD020193	SCR 8-18 X 3/8	11	EA	
28	B10910081	DISP RETAINER ICE ARM	4	EA	
29	PK030470	ARM ICE ACTUATOR	1	EA	
30	PC010022	SPRING RETURN ICE ACTUATOR	1	EA	
31	036579-000	SHROUD, I/W DISPENSER	1	EA	
32	PE070755	DISPENSER CAVITY ASSEMBLY	1	EA	
33	G50914155	ICE DISPENSER MODULE ASM	1	EA	
34	PE010030	LOGO 6" (VGRC) *BK*	1	EA	
34	PE010068	6" LOGO (VIKING/PROF) BK/BR	1	EA	
35	PC020279	PIVOT PL ASM LH UP PRO/DES	1	EA	
36	PD020234	SCREW THP 10-32 X .500 SS BO	1	EA	
37	005456-000	GASKET,ASM,48,SXS,FZ DISP VID# 602712917-17	1	EA	

FREEZER INTERIOR ASSEMBLY



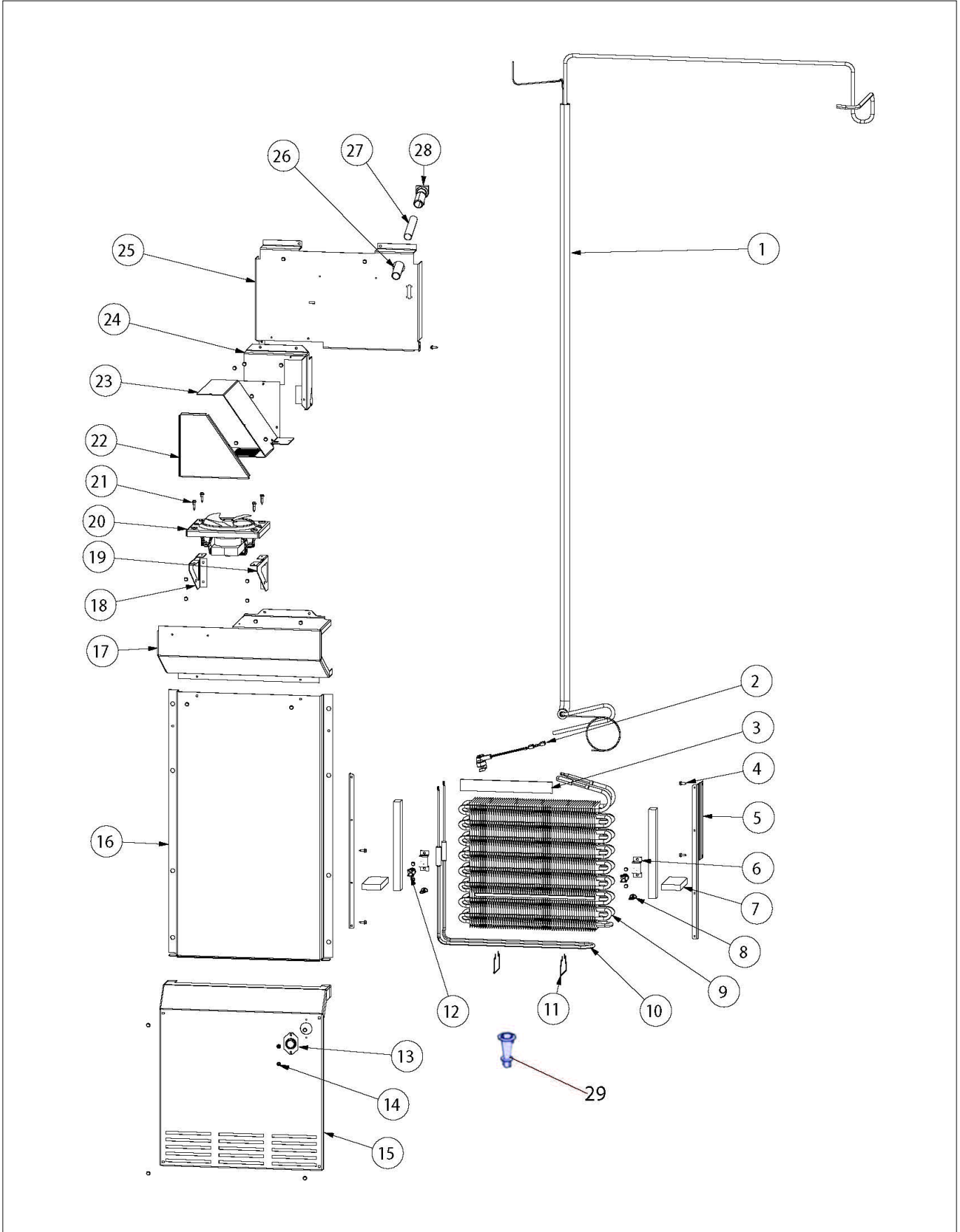


Item	Part No.	Name	Qty	Uom	NOTES
1	L2097158WH	COVER UPPER EVAP	1	EA	
2	PD020194	SCR, HEX SRTD WSHR HD, #8-18 X 1/2	41	EA	
3	015813-000	EXT-FILL TUBE	1	EA	
4	10276601	ELBOW-FILLER TUBE	1	EA	
5	029418-000	FILL TUBE DISP	1	EA	
6	PB970176	GASKET UPPER EVAP COVER	2	EA	
7	PE950158	Motor Auger	1	EA	
8	PD020191	SCR. #10 PLAS HXW 1/2 S	1	EA	
9	C90910713WH	BRACKET AUGER MOTOR	1	EA	
10	PD020188	SCR 8-18 BT HXWS 1 1/2	2	EA	
11	007302-000	BRACKET,FAN	1	EA	
12	013112-000	AXIAL FAN	1	EA	
13	M0221913	SCREW-SM	4	EA	
14	10270203	HOUSING-LIGHT V10270203	1	EA	
15	M0580007	GROMMET-SCREW	3	EA	
16	PK930346	COVER LIGHT	1	EA	
17	PK930265	GLIDE R FZ	1	EA	
18	M0213503	SCREW-SM	6	EA	
19	019144-000	ICE BUCKET ASM	1	EA	
Comments for Part Num. 019144-000					
gboltz@VikingRange.com on Mar 28, 2017					
See parts bulletin 2017-03P ice bucket helix replacement					
20	PM910411	SHELF WIRE 42/48	3	EA	
21	PM910375	LADDER R/L FZ	2	EA	
22	M0238535	SCREW-SM	6	EA	
23	PM910231	FZ FIXED BASKET ASSEMBLY	1	EA	
24	L20910067	FZ SHELF BRACKET	2	EA	
25	PK930074	GLIDE SXS 48 FZ R	1	EA	
26	PM910190	BASKET ASM FZ	1	EA	
27	PK930107	FZ BASKET SIDE SPACER FRONT	1	EA	
28	PK930075	GLIDE SXS 48 FZ L	1	EA	



Item	Part No.	Name	Qty	Uom	NOTES
29	PK930096	CLOSEOUT - ICE DISPENSER	1	EA	
30	PK930266	GLIDE L FZ	1	EA	
31	C20910027	SUPPORT LS ICE BUCKET	1	EA	Not available online / Call for pricing and availability
32	12258501	SUPPORT-SHELF	4	EA	
33	M0211021	SCREW-SM	4	EA	
34	PK930264	SHELF COVER	1	EA	
35	PM910435	RETAINER WIRE	2	EA	
36	B20911863	Driver- Ice Bucket RNG	1	EA	
37	020117-000	COVER LIGHT ASM SXS 42 FZ	1	EA	
38	004528-000	LAMP 40 WATT BLUE LIGHT	3	EA	
39	L2099475	BRACKET LIGHT SXS FZ	1	EA	
40	PE950125	LIGHT SOCKET	3	EA	
41	G50911855	ICE MAKER ASM, DISP, NLA order components, see TR-0023B-SP	1	EA	
<p>Comments for Part Num. G50911855</p> <p>estrotman@middlebyresidential.com on Aug 24, 2015  Sub part # 002252-000  bradleysapplianceservice@shaw.ca on Sep 1, 2016  SERVICE BULLETIN: TR-0023B-SP  SUBS TO:  002252-000 ICE MAKER MODULE  002251-000 ICE MAKER BAIL ARM  002253-000 ICE MAKER WIRE HARNESS</p>					
42	PM910331C	CAP, HELIX	1	EA	

LOW SIDE ASSEMBLY



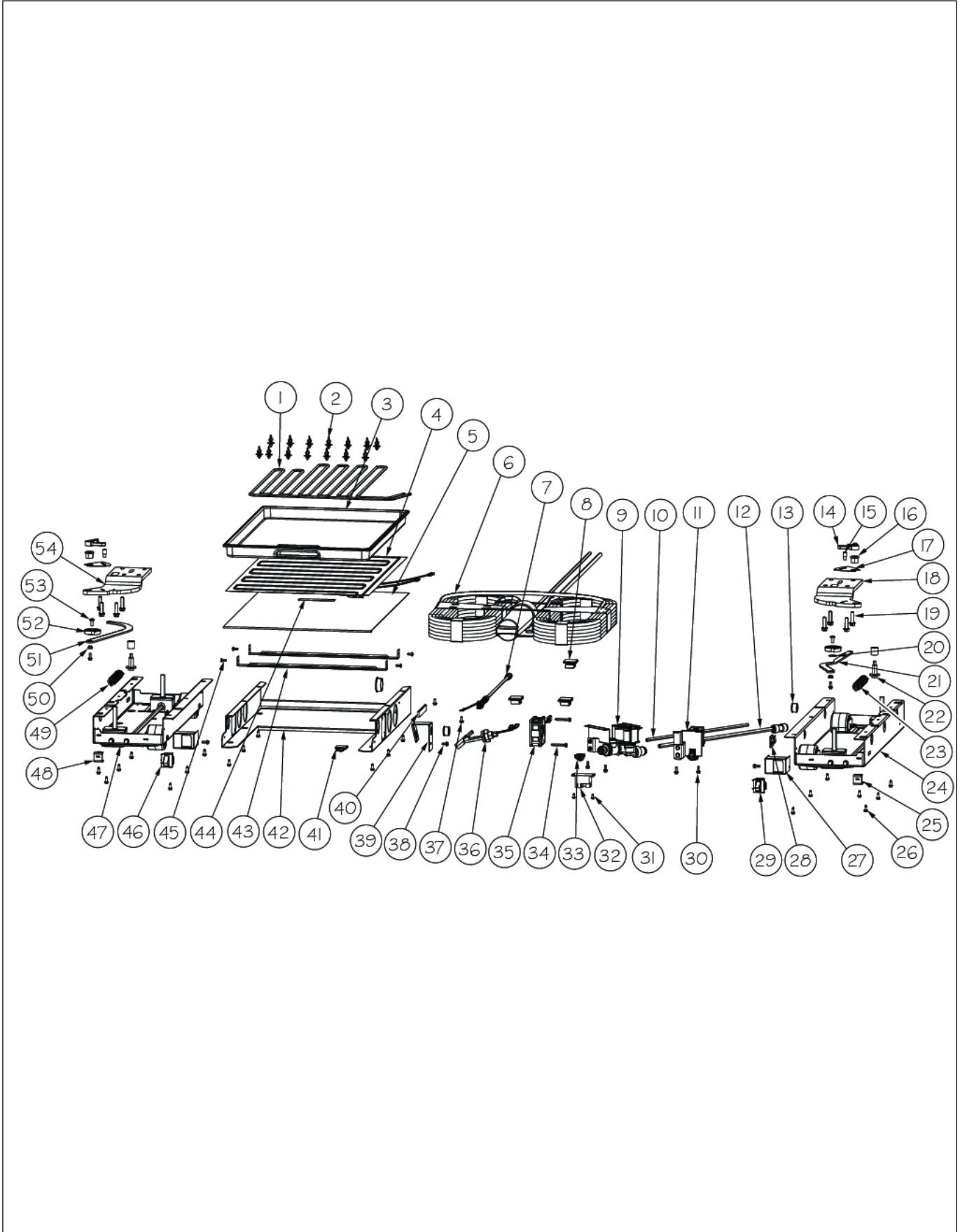


Item	Part No.	Name	Qty	Uom	NOTES
1	053301-000	HEAT EXCHANGER ASM SXS 48	1	EA	
2	058966-000	DEFROST TERMINATOR	1	EA	
Comments for Part Num. 058966-000					
bradleysapplianceservice@shaw.ca on May 29, 2019					
ACTUAL RATING: L55-35 (THIS IS STAMPED ON DTS)					
3	A3189370	GASKET-FOAM VA3189370	3	EA	
4	PD020194	SCR, HEX SRTD WSHR HD, #8- 18 X 1/2	26	EA	
5	K2096461	BRKT-EVAP COVER 12234801	2	EA	
6	K2096456	BRKT-EVAP CLIP 12215101	2	EA	
7	10629001	BLOCK-R AIR COIL RED	2	EA	
8	10527401	CLIP-EVAP	2	EA	
9	PM910206	EVAPORATOR SXS 48	1	EA	
10	PJ910031	HEATER EVAP SXS	1	EA	
11	10428101	CLIP-EVAP HTR V10428101	2	EA	
12	10623003	CLIP-EVAP	1	EA	
13	C8983701	THERMISTOR	1	EA	
14	M0211014	SCREW-SM	1	EA	
15	L20910054	COVER LOWER EVAP	1	EA	
16	L2097577	COVER - CTR EVAP	1	EA	Not available online / Call for pricing and availability
17	L2098028	COVER EVAP MOTOR	1	EA	Not available online / Call for pricing and availability
18	K2096458	BRKT-L-EVAP-FAN 12223102	1	EA	
19	K2096457	BRKT-R-EVAP FAN 12223101	1	EA	
20	G5098660	FAN EVAP ASM PANASONIC	1	EA	
21	M0238859	SCREW-SHLDR	4	EA	
22	L20910075	COVER EVAP FAN	1	EA	
23	L20914114	FAN COVER (FORMED)	1	EA	
24	L20914115	FAN BRACKET (FORMED)	1	EA	
25	L2097158WH	COVER UPPER EVAP	1	EA	



Item	Part No.	Name	Qty	Uom	NOTES
26	015813-000	EXT-FILL TUBE	1	EA	
27	029418-000	FILL TUBE DISP	1	EA	
28	10276601	ELBOW-FILLER TUBE	1	EA	
29	PK030540	DRAIN TUBE	1	EA	

# LOWER UNIT ASSEMBLY





Item	Part No.	Name	Qty	Uom	NOTES
1	F20915693	SERPENTINE CONDENSER DRAIN ALL SXS'S	1	EA	
2	PD030146	STAND OFF LOCK CLIP	14	EA	
3	PK930348	PAN DRAIN	1	EA	
4	G50911853	PAN HEATER ASM	1	EA	
5	L20914124	TRAY PAN HEATER	1	EA	
6	041669-000	FILTER/COIL TUBE ASSEMBLY	1	EA	
NI	RWFDISP	WATER FILTER	1	EA	
7	PE970590	HARNESS JUMPER LOWER	1	EA	
8	M0104102	CLIP-CORD	3	EA	
9	G32914174	BRKT & VALVE J.G. INLET ASM	1	EA	
Not Shown	NOTE	(BEFORE, ON, OR AFTER 051910R)		EA	
9	G32913791	BRKT & VALVE H2O DUAL ASM	1	EA	
Not Shown	NOTE	(BEFORE 051910R)		EA	
10	041669-000	FILTER/COIL TUBE ASSEMBLY	1	EA	
11	G32915704	BRKT AND VALVE SINGLE ASM DISP	1	EA	
Not Shown	NOTE	(ON OR AFTER 051910R)		EA	
12	PB020294	TUBE ASM-DOOR TO VALVE	1	EA	
13	A4554806	BUSHING-SNAP VA4554806	2	EA	
14	PD940091	BUSHING - DOOR STOP	2	EA	
15	PC920145	PIN - DOOR STOP	2	EA	
16	PD940090	BUSHING - WC DOOR LEVEL	2	EA	
17	PC920144	PLATE - WC DOOR SHIM	2	EA	
18	PC020288	HINGE PLATE LR	1	EA	
19	000570-000	FASTENER, BOLT, 1/4-20 IHXWS 1" S ZN SER	8	EA	
21	PC920166	BAR-WC BOT HINGE RH	1	EA	
22	M0221523	SCREW - SHLDR	2	EA	
23	003867-000	SPRING EXTENSION	1	EA	
24	060890-000	LEVELER MODULE R	1	EA	
25	K2098044	BRKT GRILLE SUPPORT	1	EA	

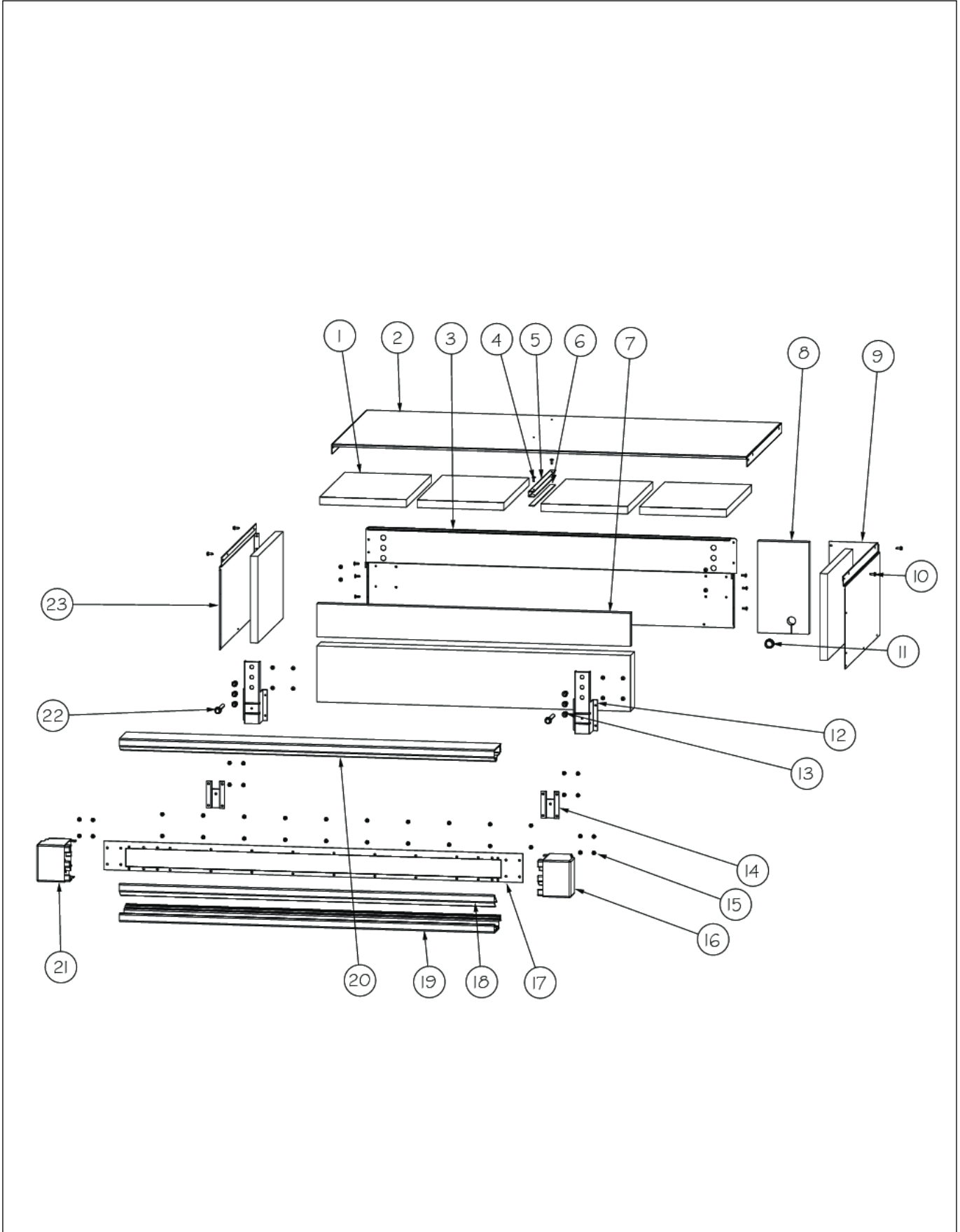


Item	Part No.	Name	Qty	Uom	NOTES
26	PD020194	SCR, HEX SRTD WSHR HD, #8-18 X 1/2	20	EA	
27	014334-000	GRILLE SWITCH MOUNT	2	EA	
28	M0104106	CLIP-CORD VM0104106	2	EA	
29	PE950147	SWITCH SPST NC BLACK	1	EA	
<p>Comments for Part Num. PE950147</p> <p>bradleysapplianceservice@shaw.ca on May 1, 2017  CAUTION WHEN ORDERING DOOR SWITCH. PARTS LISTINGS COULD BE INCORRECT.  THERE IS TWO VERSIONS OF THIS DOOR SWITCH THAT NEEDS TO BE VISUALLY CHECKED ON UNIT TO DETERMINE CORRECT PART.  PE950146 DOOR SWITCH 3 WIRE SPDT BLACK  PE950147 DOOR SWITCH 2 WIRE SPST BLACK</p>					
30	M0220417	SCREW-TC	8	EA	
31	PD020013	TYPE "AB" #6 X 3/8 PH PAN HD. SMS	2	EA	
32	014808-000	RELAY,WATER VALVE	1	EA	
Not Shown	NOTE	(ON OR AFTER 051910R)		EA	
33	PB020301	STEM ELBOW 1/4 V# PP220808W	1	EA	
34	PD020274	SCR SLTD HEX WSHR HD 8X1.250 BT	2	EA	
35	013112-000	AXIAL FAN	1	EA	
36	PE050248	FLOAT SWITCH HORIZONTAL	1	EA	
37	PD020010	10 X 3/8 GREEN GROUNDING SCREW	2	EA	
38	M0253916	SCR 8-32 SHXW 3/8 TRI-LOBE	1	EA	
39	B20915627	BRACKET HORIZ FLOAT SWITCH	1	EA	
40	PF930654	LABEL CONDENSATE FAN SERVICE	1	EA	
41	M0104106	CLIP-CORD VM0104106	2	EA	
42	K20915952	SHIELD BOTTOM DRAIN	1	EA	
43	K20911831	BRACKET CONDENSATE SUPPORT	2	EA	
44	PF031267	LABEL HEATER PAN	1	EA	
45	PC040010	POP RIVET (.063/GR -.125) GAMD42-A	4	EA	



Item	Part No.	Name	Qty	Uom	NOTES
46	PE950146	SWITCH SPDT BLACK	1	EA	
47	060891-000	LEVELER MODULE L	1	EA	
48	K2098096	BRACKET GRILLE SUPPORT	1	EA	
49	PC910015	SPRING EXTENSION	1	EA	
50	PD940094	BUSHING	2	EA	
51	PC920149	BAR-WC BOT HINGE LH	1	EA	
52	044370-000	CAM DOOR ADJUSTMENT	2	EA	
53	PD020234	SCREW THP 10-32 X .500 SS BO	2	EA	
54	PC020289	HINGE PLATE LL	1	EA	

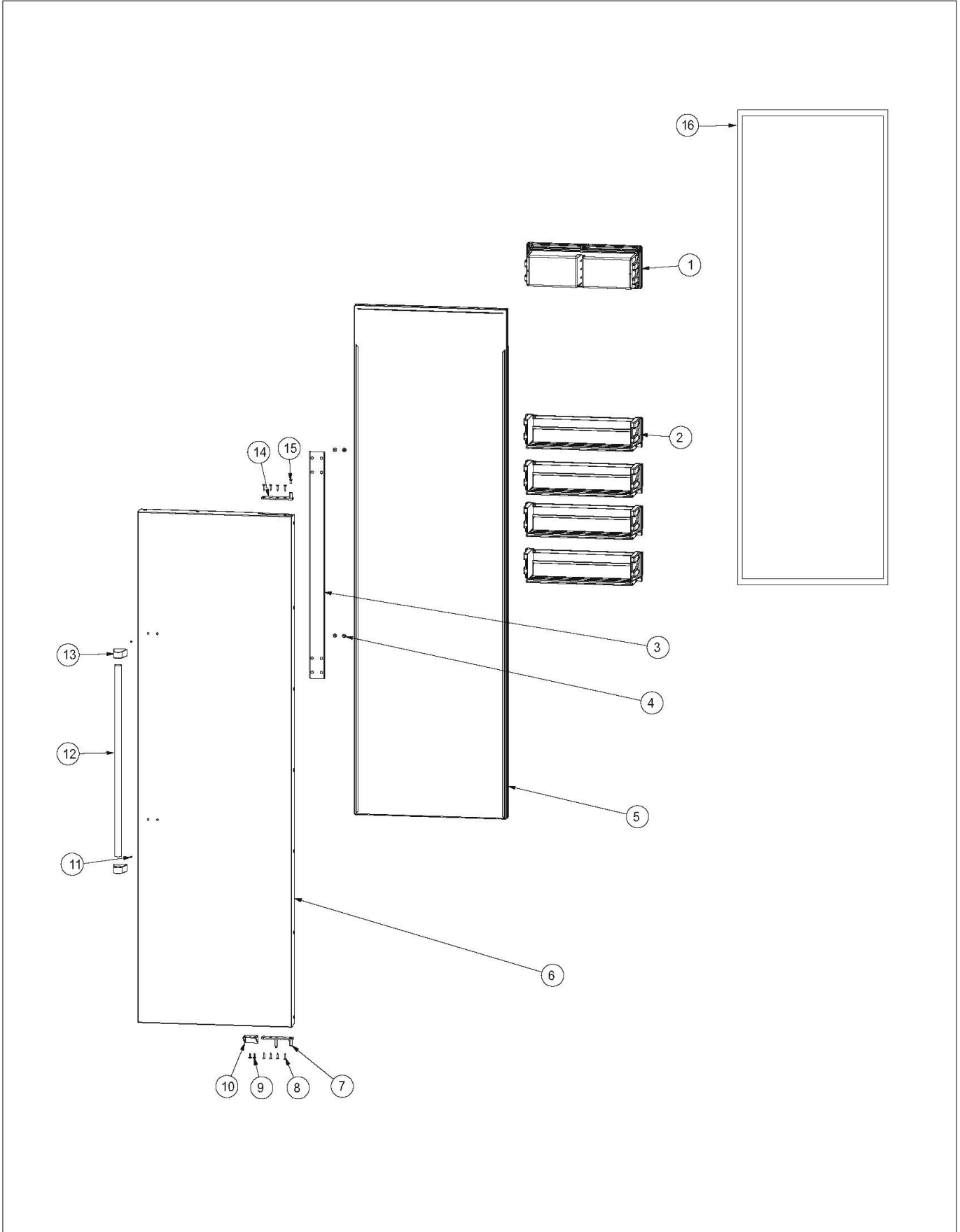
MC COVER AND GRILLE ASSEMBLY





Item	Part No.	Name	Qty	Uom	NOTES
1	PB070355	INSULATION MC COVER	6	EA	
2	K20910007	MC TOP SXS 48	1	EA	
3	K20910008	MC BACK SXS 48	1	EA	
4	PC040010	POP RIVET (.063/GR -.125) GAMD42-A	19	EA	
5	K2099455	SUPPORT MC Z	1	EA	
6	007981-000	MC COVER ASM BI 48	1	EA	
7	PB070363	INSULATION MC COVER	2	EA	Not available online / Call for pricing and availability
8	PB970171	MC INSULATION - BACK SIDE	1	EA	Not available online / Call for pricing and availability
9	K2099459	MC SIDE (RIGHT)	1	EA	
10	PD020194	SCR, HEX SRTD WSHR HD, #8- 18 X 1/2	40	EA	
11	A4554806	BUSHING-SNAP VA4554806	1	EA	
12	K20915675	BRACKET PSM	2	EA	
13	PD040157	BEARING SLEEVE	4	EA	
14	PK050004	BRACKET GRILLE 5 SERIES	2	EA	
15	M0253916	SCR 8-32 SHXW 3/8 TRI-LOBE	8	EA	
16	003269-000	ENDCAP,PRO,RH,HINGE	1	EA	
17	003298-000	PLATE,BACK,GRILLE	1	EA	
18	003296-000	EXTRUSION,LOUVER,MIDDLE	1	EA	
19	003297-000	EXTRUSION,LOUVER,BOTTOM - NLA	1	EA	
20	003295-000	EXTRUSION,LOUVER,TOP	1	EA	
21	003274-000	ENDCAP,PRO,LH,HINGE - NLA	1	EA	
22	PD020233	SCR LAG 5/16-9 GX 5/16X7/16 WAF IHXW 3 S ZN	1	EA	
23	K2099460	MC SIDE L	1	EA	

REFRIG DOOR ASSEMBLY



Item	Part No.	Name	Qty	Uom	NOTES
1	V12203602	DAIRY MODULE ASSY #	1	EA	
2	036886-000	DOORBIN ASM SXS 48 FF	4	EA	
3	013328-000	BRKT,HANDLE,SUPPORT,PRO	1	EA	
4	M0204303	SCREW-MACH	4	EA	
5	007047-000	DOOR FOAM ASM SXS 48 FF	1	EA	
6	009181-000	SKIN,DOOR,SXS 48 PRO FF SS	1	EA	
Not Shown	NOTE	(MUST ORDER 2X PM910393)		EA	
6	009224-002	SKIN,DOOR,SXS 48 PRO FF BK	1	EA	Not available online / Call for pricing and availability
Not Shown	NOTE	(MUST ORDER 2X PM910393)		EA	
6	009224-003	SKIN,DOOR,SXS 48 PRO FF BT	1	EA	
Not Shown	NOTE	(MUST ORDER 2X PM910393)		EA	
6	009224-004	SKIN,DOOR,SXS 48 PRO FF SG	1	EA	
Not Shown	NOTE	(MUST ORDER 2X PM910393)		EA	
6	009224-005	SKIN,DOOR,SXS 48 PRO FF GG	1	EA	
Not Shown	NOTE	(MUST ORDER 2X PM910393)		EA	
6	009224-006	SKIN,DOOR,SXS 48 PRO FF WH	1	EA	
Not Shown	NOTE	(MUST ORDER 2X PM910393)		EA	
6	009224-008	SKIN,DOOR,SXS 48 PRO FF BU	1	EA	
Not Shown	NOTE	(MUST ORDER 2X PM910393)		EA	
6	009224-009	SKIN,DOOR,SXS 48 PRO FF LE	1	EA	
Not Shown	NOTE	(MUST ORDER 2X PM910393)		EA	
6	009224-010	SKIN,DOOR,SXS 48 PRO FF MJ	1	EA	
Not Shown	NOTE	(MUST ORDER 2X PM910393)		EA	
6	009224-012	SKIN,DOOR,SXS 48 PRO FF VB	1	EA	
Not Shown	NOTE	(MUST ORDER 2X PM910393)		EA	
6	009224-013	SKIN,DOOR,SXS 48 PRO FF CB	1	EA	

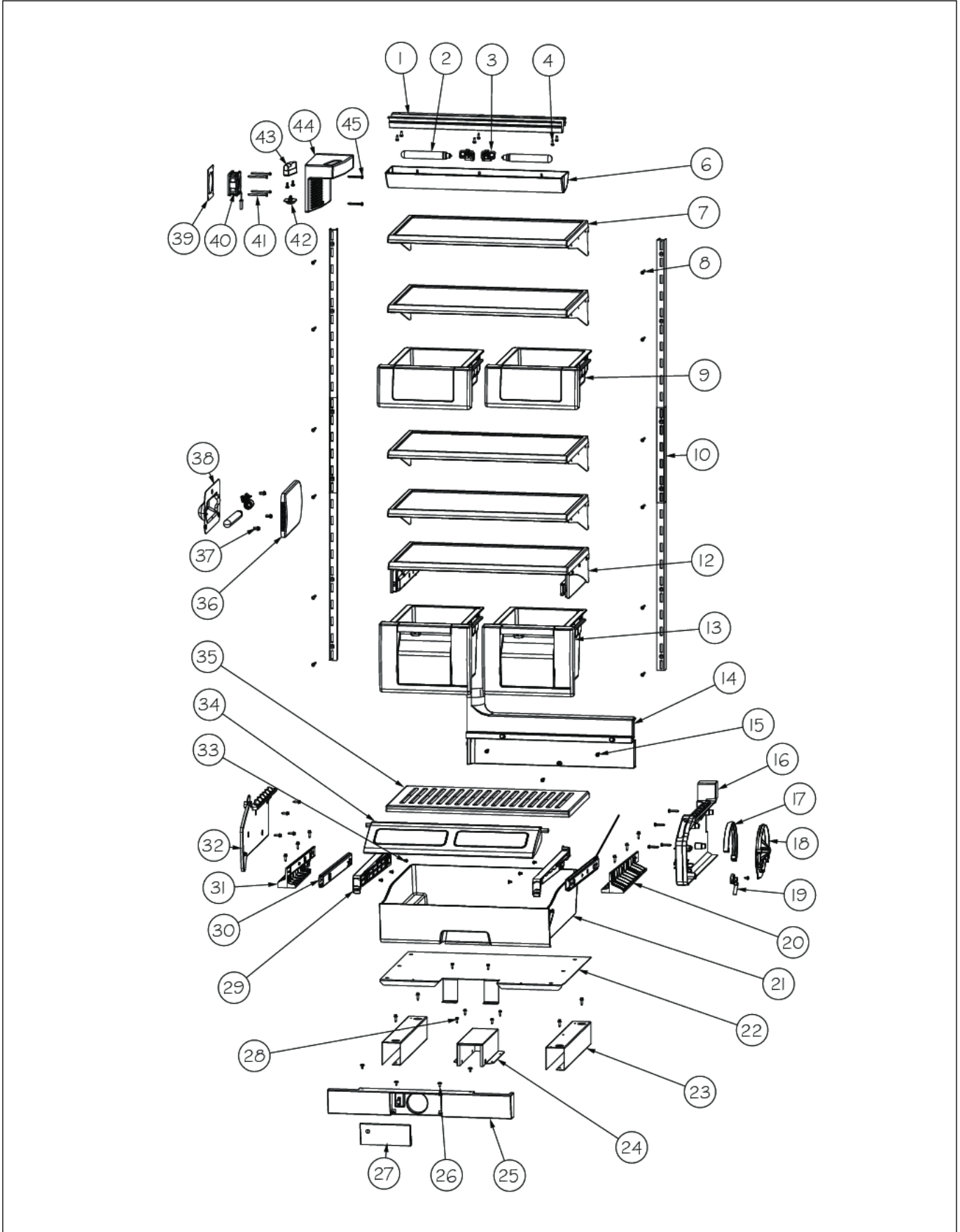


Item	Part No.	Name	Qty	Uom	NOTES
Not Shown	NOTE	(MUST ORDER 2X PM910393)		EA	
6	009224-015	SKIN,DOOR,SXS 48 PRO FF PL	1	EA	
Not Shown	NOTE	(MUST ORDER 2X PM910393)		EA	
6	009224-016	SKIN,DOOR,SXS 48 PRO FF CH	1	EA	
Not Shown	NOTE	(MUST ORDER 2X PM910393)		EA	
6	009224-017	SKIN,DOOR,SXS 48 PRO FF TP	1	EA	
Not Shown	NOTE	(MUST ORDER 2X PM910393)		EA	
6	009224-018	SKIN,DOOR,SXS 48 PRO FF CW NLA	1	EA	
Not Shown	NOTE	(MUST ORDER 2X PM910393)		EA	
6	009224-019	SKIN,DOOR,SXS 48 PRO FF OG	1	EA	
Not Shown	NOTE	(MUST ORDER 2X PM910393)		EA	
6	009224-020	SKIN,DOOR,SXS 48 PRO FF GM	1	EA	
Not Shown	NOTE	(MUST ORDER 2X PM910393)		EA	
6	009224-021	SKIN,DOOR,SXS 48 PRO FF SA	1	EA	
Not Shown	NOTE	(MUST ORDER 2X PM910393)		EA	
6	009224-022	SKIN,DOOR,SXS 48 PRO FF SE	1	EA	
Not Shown	NOTE	(MUST ORDER 2X PM910393)		EA	
6	009224-023	SKIN,DOOR,SXS 48 PRO FF IB	1	EA	
Not Shown	NOTE	(MUST ORDER 2X PM910393)		EA	
6	009224-024	SKIN,DOOR,SXS 48 PRO FF AR	1	EA	
Not Shown	NOTE	(MUST ORDER 2X PM910393)		EA	
6	009224-025	SKIN,DOOR,SXS 48 PRO FF RR	1	EA	
Not Shown	NOTE	(MUST ORDER 2X PM910393)		EA	
6	009224-026	SKIN,DOOR,SXS 48 PRO FF PM	1	EA	
Not Shown	NOTE	(MUST ORDER 2X PM910393)		EA	



Item	Part No.	Name	Qty	Uom	NOTES
6	009224-027	SKIN,DOOR,SXS 48 PRO FF MS	1	EA	
Not Shown	NOTE	(MUST ORDER 2X PM910393)		EA	
7	016181-000	PIVOT PL ASM RH LW PRO/DES	1	EA	
8	PD920174	10X7/8 PHILLIPS SMA TRI LOBE SA	5	EA	
9	M0210458	SCR 8-18 X 5/8 WAFER PH SMS	1	EA	
10	PD050019	STRIKER DOOR SWITCH	1	EA	
11	000270-000	SET SCREW (NOT ORDERABLE, MUST ORDER ENDCAP)	2	EA	
12	012891-000	HANDLE,PRO	1	EA	
13	000268-000	HANDLE ENDCAP	2	EA	
13	000268-100	HANDLE ENDCAP BRASS	2	EA	
14	PC020278	PIVOT PL ASM RH UP PRO/DES	1	EA	
15	PD020234	SCREW THP 10-32 X .500 SS BO	1	EA	
16	005454-000	GASKET, ASM, 48, SXS, FF	1	EA	

REFRIG INTERIOR ASSEMBLY

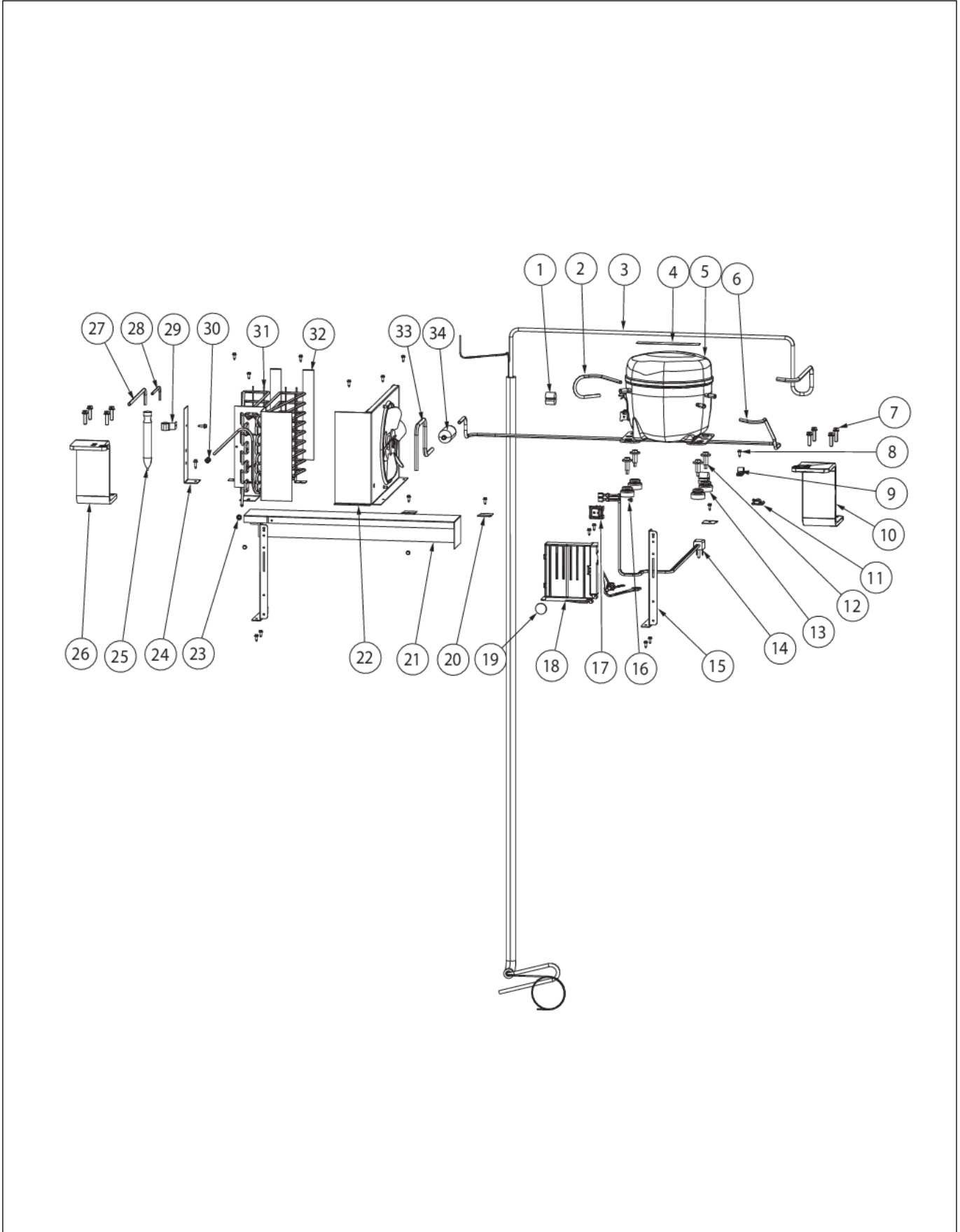


Item	Part No.	Name	Qty	Uom	NOTES
1	L2099492	BRACKET LIGHT SXS 48 FF	1	EA	
2	004528-000	LAMP 40 WATT BLUE LIGHT	3	EA	
3	PE950125	LIGHT SOCKET	3	EA	
4	PD020195	SCR 8-18 X 5/8	24	EA	
5	PD020193	SCR 8-18 X 3/8	1	EA	
6	020114-000	COVER LIGHT ASM AF/AR 30 SXS 48 FF	1	EA	
7	043624-000	SHELF ASM GLASS 30 AR 48 FF	4	EA	
8	M0238535	SCREW-SM	12	EA	
9	G32911938	DRAWER DELI ASM SXS 48 AR 30	2	EA	
10	PM910227	LADDER RS REF	2	EA	
12	G50911937	SHELF ASM	1	EA	
13	012259-000	DRAWER PRODUCE ASM AR 30/48	2	EA	
14	PK930327	DUCT MEATSAVOR SXS 48 REAR	1	EA	
15	M0211021	SCREW-SM	3	EA	
16	044232-000	DUCT MEAT SAVIOR (R)	1	EA	
17	PK930172	COVER CONTROL MEAT SAVIOR	1	EA	
18	044384-000	DIAL CONTROL MEAT SAVIOR	1	EA	
19	PM910334	ROLLER TENSION	1	EA	
20	PK930173	SUPPORT SLIDE MEAT SAVIOR SXS 42/48 R	1	EA	
21	PK930309	DRAWER MEAT SAVIOR AR 30 SXS 48	1	EA	
22	L20913095	FLOOR-FALSE	1	EA	
23	K20913096	BRACKET FALSE FLOOR	2	EA	
24	L20915031	COVER WATER FILTER 42/48 DISP	1	EA	
25	PK930364	COVER FALSE FRONT	1	EA	
26	PD020032	SRW-8(A)X3/8"PH.WFR HD 7/16DIA*NICL	4	EA	
27	PK930313	COVER WATER FILTER SXS DISP	1	EA	
28	PD020194	SCR, HEX SRTD WSHR HD, #8-18 X 1/2	4	EA	



Item	Part No.	Name	Qty	Uom	NOTES
29	PK930176	SUPPORT DRAWER MEAT SAVOR 42/48 L	1	EA	
30	PM910288	SLIDE MEAT SAVOR L	1	EA	
Comments for Part Num. PM910288					
profifixappliances@gmail.com on May 3, 2017					
ITEM # 5 SHOULD BE PK930288-DOOR MEATSAVOR ASM AR/BM 36					
31	PK930174	SUPPORT SLIDE MEAT SAVOR SXS 42/48 L	1	EA	
32	PK930170	DUCT MEAT SAVOR SXS 42 L	1	EA	
33	PD920162	SCR 8-16 PLASTITE PNP 1/4 S	2	EA	
34	045692-000	DOOR MEATSAVOR ASM AR 30 SXS 48	1	EA	
35	PK930308	SHELF MEAT SAVOR AR 30 SXS 48	1	EA	
36	PK930346	COVER LIGHT	1	EA	
37	M0580007	GROMMET-SCREW	3	EA	
38	10270203	HOUSING-LIGHT V10270203	1	EA	
39	007302-000	BRACKET,FAN	1	EA	
40	013112-000	AXIAL FAN	1	EA	
41	M0221913	SCREW-SM	4	EA	
42	C8983701	THERMISTOR	1	EA	
43	010093-000	PLASMA CLUSTER	1	EA	
44	012312-000	FAN COVER SXS	1	EA	
45	PD020188	SCR 8-18 BT HXWS 1 1/2	2	EA	
46	PM910287	SLIDE MEAT SAVOR R	1	EA	

SEALED SYSTEM ASSEMBLY





Item	Part No.	Name	Qty	Uom	NOTES
1	10699601	DAMPER-TUBING .8	2	EA	
2	F2096507	TUBE-PROCESS GRN	1	EA	
3	053301-000	HEAT EXCHANGER ASM SXS 48	1	EA	
4	C8982701	LABEL-COMP WARN	1	EA	
5	PM010619	COMPRESSOR VCC	1	EA	

Comments for Part Num. PM010619

profixappliances@gmail.com on Apr 21, 2020

SUB TO 062775-000 COMPRESSOR KIT

bburnett on Jul 11, 2020

SUB TO 062775-000 COMPRESSOR KIT

6	F2099443	TUBE DISCHARGE FORMED PRE ACCUM	1	EA	
7	000570-000	FASTENER, BOLT, 1/4-20 IHXWS 1" S ZN SER	8	EA	
8	PD020195	SCR 8-18 X 5/8	20	EA	
9	PD030118	INSULATED CLAMP	1	EA	
10	PC920203	HINGE ASM UR	1	EA	
11	M0104106	CLIP-CORD VM0104106	1	EA	
12	M0221523	SCREW - SHLDR	4	EA	
13	10835901	GROMMET RUBBER V10835901	4	EA	
14	059105-000	CORD-POWER V10916507	1	EA	
15	K20912569	BRACKET GRILLE SUPPORT	2	EA	
16	M0211014	SCREW-SM	1	EA	
17	PE950149	SWITCH POWER	1	EA	
18	011666-000	INVERTER,CMPR,ASM	1	EA	

Comments for Part Num. 011666-000

gboltz@VikingRange.com on Aug 9, 2018

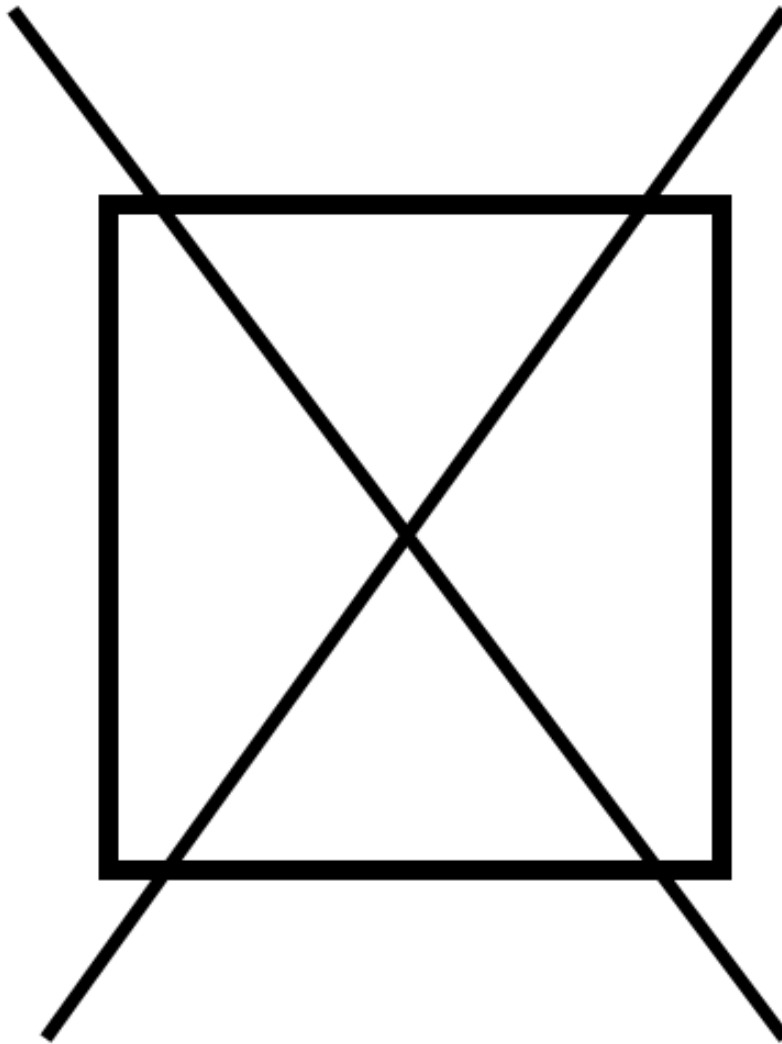
See 2018-01P Parts Bulletin

19	PF930682	LABEL WARNING INVERTER	1	EA	
20	K2096943	PANEL BRACKET	3	EA	



Item	Part No.	Name	Qty	Uom	NOTES
21	K20912585	DIVERTER AIR HI SIDE SXS	1	EA	Not available online / Call for pricing and availability
22	G5096494	COND. FAN ASSY	1	EA	
23	007408-000	RING,LOK, .250 DIA	1	EA	
24	K2099454	BRACKET DRIER	1	EA	
25	PM010616	DRIER - HIGH SIDE	1	EA	
26	PC920193	HINGE ASSEM UPPER RH	1	EA	
27	F2097740	TUBE PROCESS	1	EA	
28	F2096504	TUBE-DRIER EXT	1	EA	
29	10547001	CLIP-DRIER V10547001	1	EA	
30	007407-000	RING,LOK, .187 DIA	1	EA	
31	068353-000	CONDENSER ASM	1	EA	
32	A3189370	GASKET-FOAM VA3189370	2	EA	
33	F2099444	TUBE DISCHARGE FORMED POST ACCUM	1	EA	
34	PB920201	ACCUMULATOR	1	EA	

NON  
ILLUSTRATED PART





Item	Part No.	Name	Qty	Uom	NOTES
NI	040066-000	HARNESS, JUMPER LOWER	1	EA	
NI	011059-000	HARNESS, JUMPER	1	EA	
NI	PE970464	HARNESS LOW VOLT	1	EA	
NI	015365-000	HARNESS HIGH VOLT	1	EA	
NI	PE970609	HARNESS CONTROL BOARD	1	EA	
NI	043051-000	Door Harness	1	EA	
NI	040078-000	HARNESS, JUMPER DISP CAVITY	1	EA	
NI	048806-000	SKIN, DOOR, SXS 48 PRO FF SS	1	EA	



Appendix A:Pages Index

CONTROL ASSEMBLY ..... 1  
EXTERIOR ASSEMBLY ..... 2  
FREEZER DOOR ASSEMBLY ..... 3  
FREEZER INTERIOR ASSEMBLY ..... 4  
LOW SIDE ASSEMBLY ..... 5  
LOWER UNIT ASSEMBLY ..... 6  
MC COVER AND GRILLE ASSEMBLY ..... 7  
REFRIG DOOR ASSEMBLY ..... 8  
REFRIG INTERIOR ASSEMBLY ..... 9  
SEALED SYSTEM ASSEMBLY ..... 10  
WIRING ..... 11



Appendix B:Parts Index

000268-000	3, 8	009224-021	8
000268-100	3, 8	009224-022	8
000270-000	8	009224-023	8
000570-000	6, 10	009224-024	8
003269-000	7	009224-025	8
003274-000	7	009224-026	8
003295-000	7	009224-027	8
003296-000	7	009631-000	3
003297-000	7	009648-002	3
003298-000	7	009648-003	3
003334-000	3	009648-004	3
003867-000	6	009648-005	3
004528-000	4, 9	009648-006	3
005319-000	1	009648-007	3
005396-000	1	009648-008	3
005454-000	8	009648-009	3
005456-000	3	009648-010	3
007047-000	8	009648-011	3
007052-000	3	009648-012	3
007302-000	4, 9	009648-013	3
007407-000	10	009648-014	3
007408-000	10	009648-015	3
007981-000	7	009648-016	3
009181-000	8	009648-017	3
009224-002	8	009648-018	3
009224-003	8	009648-019	3
009224-004	8	009648-020	3
009224-005	8	009648-021	3
009224-006	8	009648-022	3
009224-008	8	009648-023	3
009224-009	8	009648-024	3
009224-010	8	009648-025	3
009224-012	8	009648-026	3
009224-013	8	009648-027	3
009224-015	8	010093-000	9
009224-016	8	010490-000	1
009224-017	8	011059-000	11
009224-018	8	011666-000	10
009224-019	8	011672-000	3
009224-020	8	012259-000	9
		012312-000	9



012891-000	3, 8	10270203	4, 9
013112-000	4, 6, 9	10276601	4, 5
013328-000	3, 8	10428101	5
013335-000	3	10527401	5
013685-000	3	10547001	10
013688-000	3	10623003	5
014334-000	6	10629001	5
014808-000	6	10699601	10
015156-000	3	10835901	10
015365-000	1, 11	12064001	1
015552-000	2	12258501	4
015553-000	2	40370P01	2
015813-000	4, 5	A3030361	1
016181-000	8	A3189370	5, 10
016182-000	3	A4554806	6, 7
016593-000	1	A4554817	1
019144-000	4	B10910081	3
020114-000	9	B20911863	4
020117-000	4	B20915627	6
029418-000	4, 5	B8385402	3
036579-000	3	C20910027	4
036580-000	3	C8982701	10
036886-000	8	C8983701	5, 9
036888-000	3	C90910713WH	4
040066-000	11	F20915693	6
040078-000	11	F2096504	10
041669-000	6, 6	F2096507	10
043051-000	11	F2097740	10
043624-000	9	F2099443	10
044232-000	9	F2099444	10
044370-000	6	G32911938	9
044384-000	9	G32913791	6
045013-000	2	G32914174	6
045692-000	9	G32915704	6
048806-000	11	G50911853	6
053301-000	5, 10	G50911855	4
058966-000	5	G50911937	9
059105-000	10	G50914155	3
060890-000	6	G5096494	10
060891-000	6	G5098660	5
068353-000	10	K20910007	7



K20910008	7	M0211014	5, 10
K20910060	1	M0211021	4, 9
K20910061	1	M0213503	4
K20911831	6	M0215318	2, 3
K20912569	10	M0220417	6
K20912585	10	M0221523	6, 10
K20913096	9	M0221913	4, 9
K20915000	1	M0224128	1
K20915675	7	M0238535	4, 9
K20915952	6	M0238846	1
K2096456	5	M0238859	5
K2096457	5	M0253916	6, 7
K2096458	5	M0270546	3
K2096461	5	M0288120	1
K2096943	10	M0580007	4, 9
K2098044	6	M0585504	1
K2098096	6	M0585506	1
K2098654	1	PB020294	6
K2099402	1	PB020301	6
K2099454	10	PB070355	7
K2099455	7	PB070363	7
K2099459	7	PB920201	10
K2099460	7	PB970171	7
L20910054	5	PB970176	4
L20910067	4	PC010022	3
L20910075	5	PC020278	8
L20913095	9	PC020279	3
L20914114	5	PC020288	6
L20914115	5	PC020289	6
L20914124	6	PC040010	1, 1, 6, 7
L20915031	9	PC910015	6
L2097158WH	4, 5	PC920144	6
L2097577	5	PC920145	6
L2098028	5	PC920149	6
L2099475	4	PC920166	6
L2099492	9	PC920193	10
M0104102	6	PC920203	10
M0104106	1, 6, 6, 10	PD020010	6
M0204303	3, 8	PD020013	1, 6
M0210443	2, 3	PD020032	9
M0210458	3, 8	PD020043	3



PD020188	4, 9	PK930074	4
PD020191	4	PK930075	4
PD020193	3, 9	PK930096	4
PD020194	1, 4, 5, 6, 7, 9	PK930107	4
PD020195	9, 10	PK930170	9
PD020233	7	PK930172	9
PD020234	3, 6, 8	PK930173	9
PD020274	6	PK930174	9
PD030118	10	PK930176	9
PD030146	6	PK930264	4
PD040071	3	PK930265	4
PD040157	7	PK930266	4
PD050019	3, 8	PK930308	9
PD920162	9	PK930309	9
PD920174	3, 8	PK930313	9
PD940090	6	PK930327	9
PD940091	6	PK930346	4, 9
PD940094	6	PK930348	6
PE010030	3	PK930364	9
PE010068	3	PK930404	3
PE050248	6	PM010616	10
PE070728	1	PM010619	10
PE070755	3	PM910190	4
PE950125	4, 9	PM910206	5
PE950146	6	PM910227	9
PE950147	6	PM910231	4
PE950149	10	PM910287	9
PE950152	3	PM910288	9
PE950158	4	PM910331C	4
PE970464	1, 11	PM910334	9
PE970590	6	PM910375	4
PE970609	1, 11	PM910411	4
PF031267	6	PM910435	4
PF930654	6	RWFDISP	6
PF930672	1	V12203602	8
PF930682	10		
PJ910031	5		
PK030470	3		
PK030540	5		
PK050004	7		
PK910123	2		