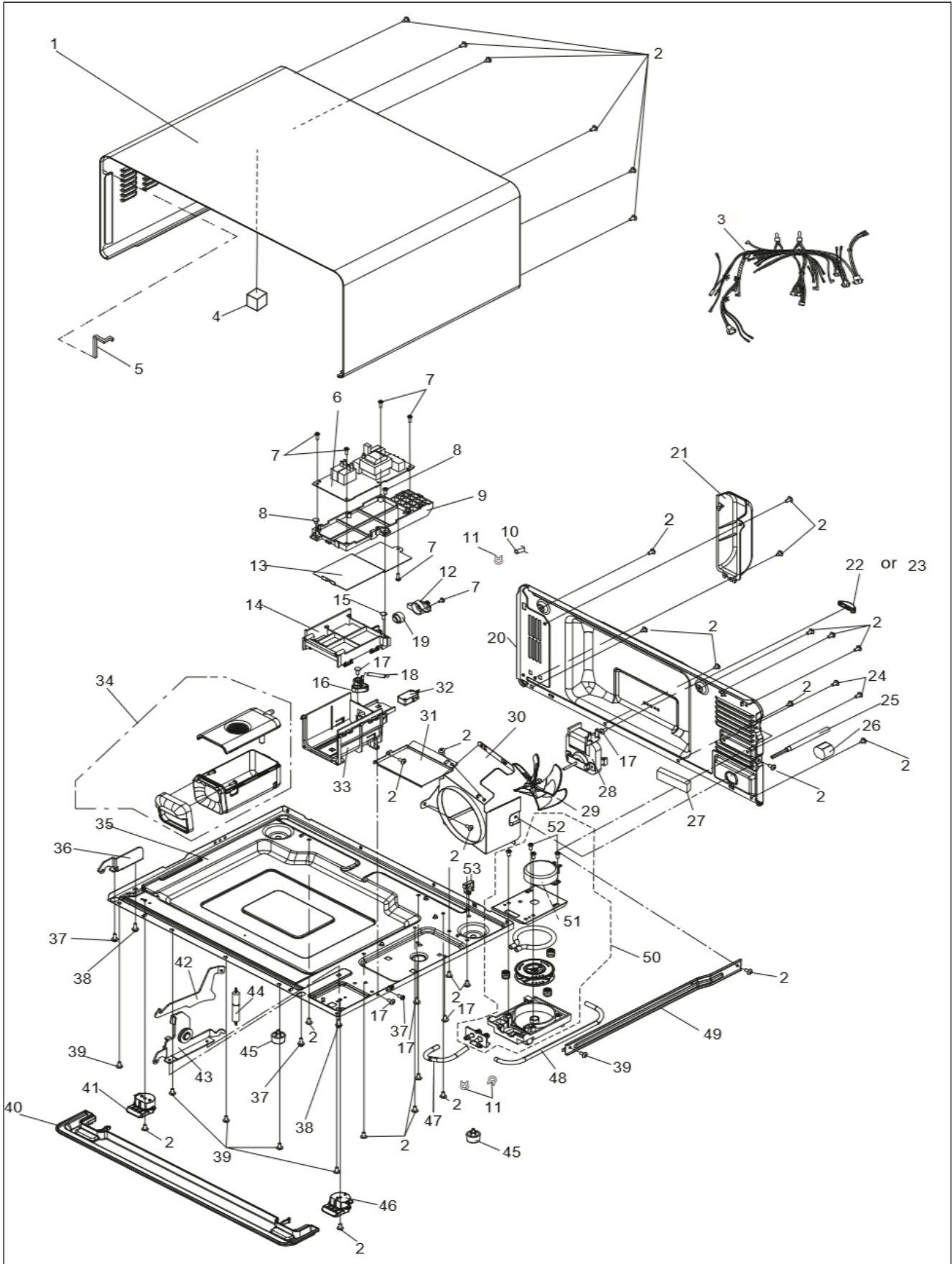


VCTSO5200SS

VCTSO5200SS Oven 2	1
VCTSO5200SS Door	2
VCTSO5200SS Other	3
VCTSO5200SS Oven 1	4
Appendix A:Pages Index	A
Appendix B:Parts Index	B

VCTS05200SS Oven 2

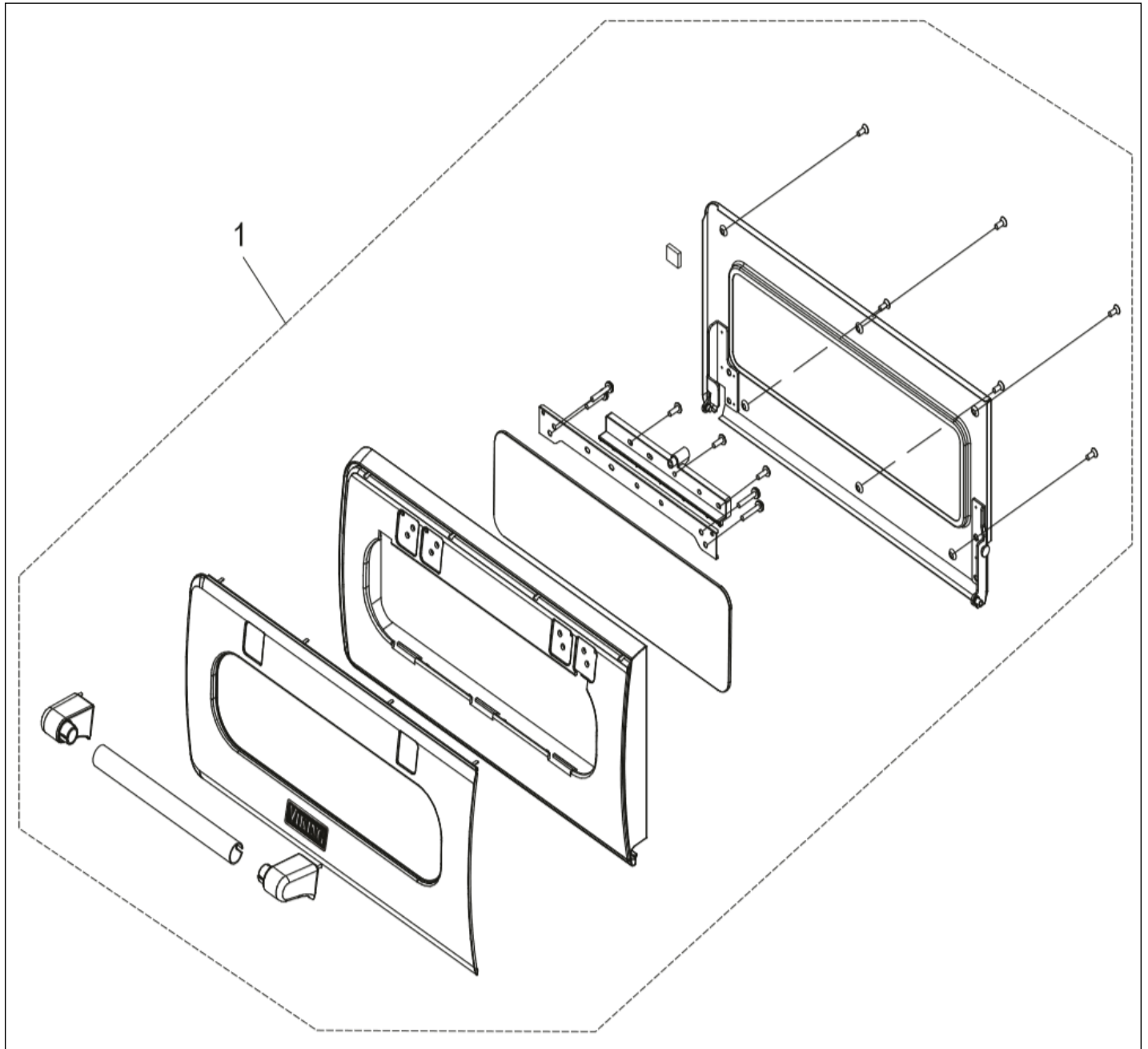


Item	Part No.	Name	Qty	Uom	NOTES
1	070388-000	OUTER CASE CABINET	1	EA	
2	037123-000	SPECIAL SCREW	31	EA	
3	070386-000	MAIN HARNESS	1	EA	
4	063113-000	CUSHION	1	EA	
5	070414-000	CUSHION	1	EA	
6	070384-000	CONTROL UNIT (RELAY UNIT)	1	EA	
7	037096-000	SCREW, 3MM X 10MM	6	EA	
8	011900-000	SCREW : 4MM X 8MM	3	EA	
9	070400-000	PWB HOLDER	1	EA	
10	070412-000	WATER TUBE	1	EA	
11	036990-000	HOSE BAND	6	EA	
12	070397-000	TUBE JOINT	1	EA	
13	070401-000	BARRIER	1	EA	
14	070395-000	TANK COVER UPPER	1	EA	
15	028765-000	SCREW	1	EA	
16	063070-000	TANK LEVER	1	EA	
17	070399-000	CHASSIS SUPPORT	1	EA	
18	063075-000	LATCH SPRING	1	EA	
19	063147-000	TANK PACKING	1	EA	
20	070389-000	BACK PLATE	1	EA	
21	070408-000	STEAM DUCT	1	EA	
22	070410-000	SPACER LEFT	1	EA	
23	070411-000	SPACER RIGHT	1	EA	
24	070400-000	PWB HOLDER	1	EA	
25	067598-000	POWER SUPPLY CORD (53.5")	1	EA	
26	062590-000	CORD BUSHING	1	EA	
27	070415-000	CUSHION	1	EA	
28	070387-000	FAN MOTOR	1	EA	
29	070406-000	FAN BLADE	1	EA	
30	070407-000	FAN DUCT	1	EA	
31	070409-000	AIR GUIDE	1	EA	
32	063005-000	SWITCH	1	EA	
33	070396-000	TANK COVER LOWER	1	EA	



Item	Part No.	Name	Qty	Uom	NOTES
34	070398-000	TANK ASSEMBLY (WATER TANK)	1	EA	
35	070391-000	BOTTOM PLATE	1	EA	
36	070404-000	HINGE LEFT	1	EA	
37	036990-000	HOSE BAND	6	EA	
38	062590-000	CORD BUSHING	1	EA	
39	PM120159	SCREW	27	EA	
40	070390-000	DEW TRAY (DRIP TRAY)	1	EA	
41	070392-000	FRONT LEG L	1	EA	
42	070402-000	R DOOR CAM	1	EA	
43	070403-000	HINGE RIGHT ASSEMBLY	1	EA	
44	070405-000	DOOR SPRING	1	EA	
45	070394-000	LEG	2	EA	
46	070393-000	FRONT LEG R	1	EA	
47	070412-000	WATER TUBE	1	EA	
48	070413-000	SUPPLY TUBE	1	EA	
49	070399-000	CHASSIS SUPPORT	1	EA	
50	070385-000	TUBE PUMP ASSEMBLY	1	EA	
51	037060-000	TURNTABLE MOTOR (ANTENNA MOTOR)	1	EA	
52	011900-000	SCREW : 4MM X 8MM	3	EA	
53	063050-000	CORD HOLDER	3	EA	

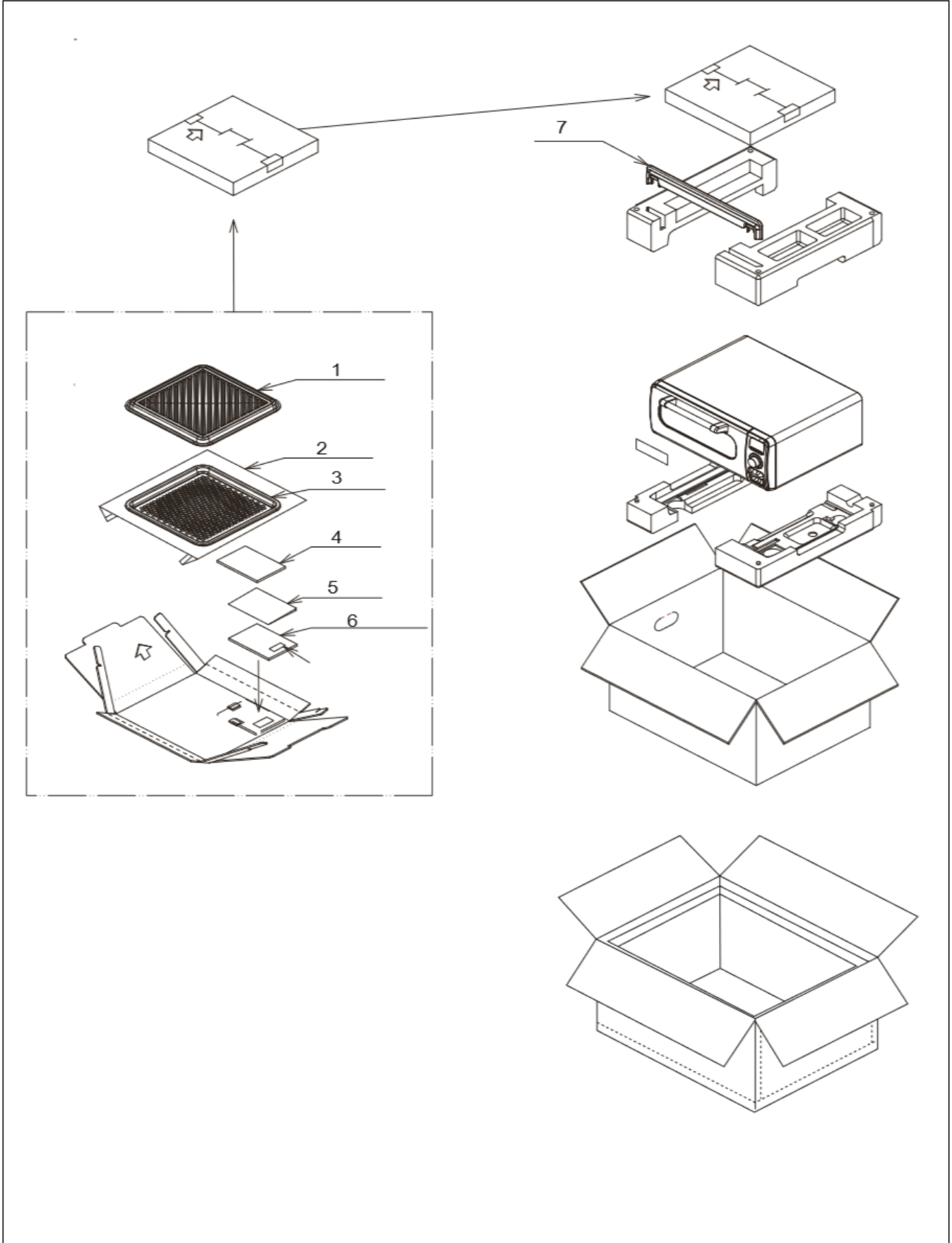
VCTSO5200SS Door





Item	Part No.	Name	Qty	Uom	NOTES
1	070416-000	DOOR ASSEMBLY	1	EA	

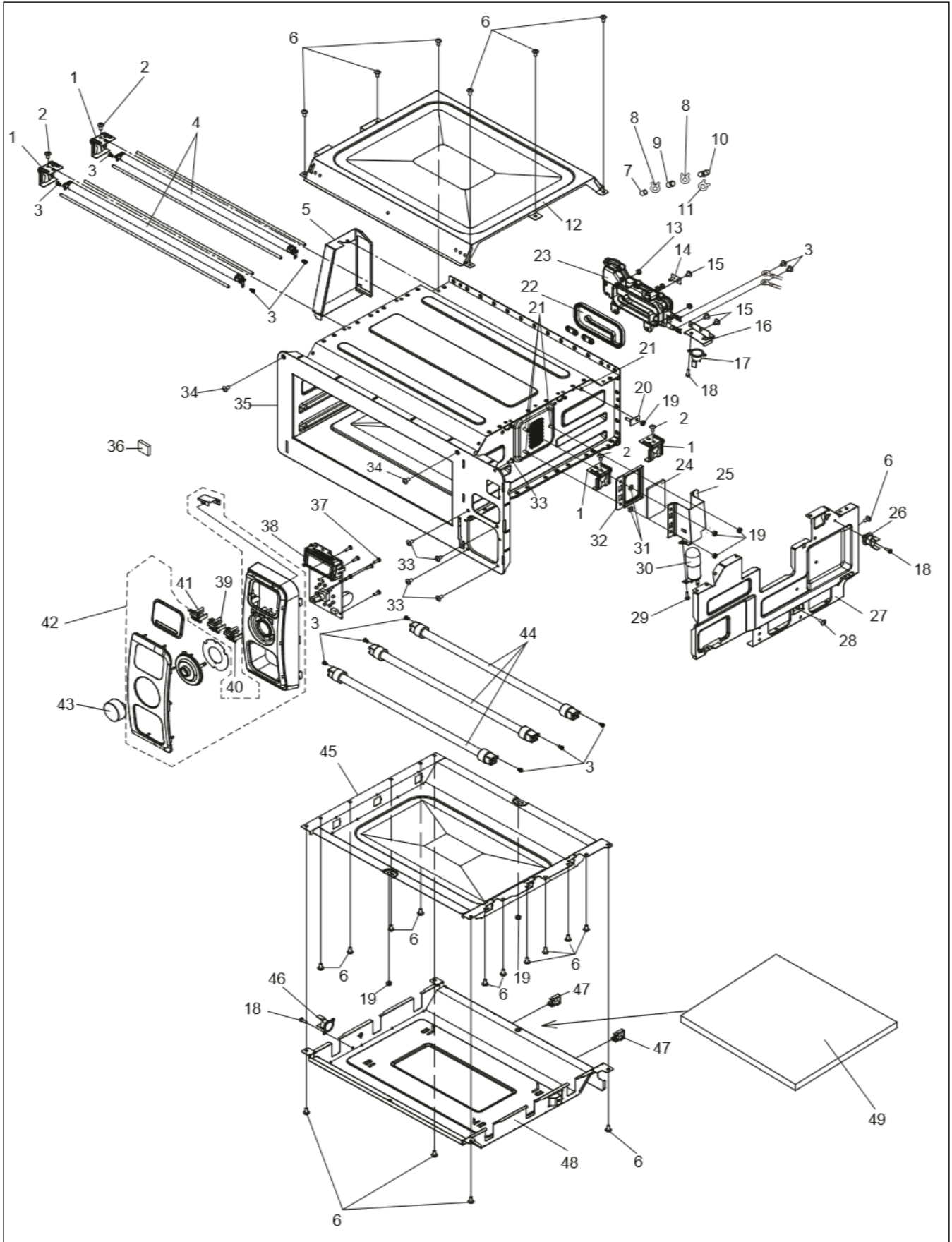
VCTSO5200SS Other





Item	Part No.	Name	Qty	Uom	NOTES
1	070421-000	BAKING TRAY (BROILING PAN)	1	EA	
2	070426-000	PROTECT SHEET	1	EA	
3	070420-000	PIZZA TRAY (CRISPER TRAY)	1	EA	
4	070423-000	COOK BOOK	1	EA	
5	070425-000	INFORMATION	1	EA	
6	070424-000	INSTRUCTION BOOK	1	EA	
7	070390-000	DEW TRAY (DRIP TRAY)	1	EA	

VCTSO5200SS Oven 1



Item	Part No.	Name	Qty	Uom	NOTES
1	070364-000	HEATER FIX ANGLE RIGHT	4	EA	
2	070365-000	SCREW: 4mm x 6mm	4	EA	
3	005226-000	SPECIAL SCREW	12	EA	
4	070354-000	TOP HEATER (UPPER HEATING ELEMENT)	2	EA	
5	070371-000	EXHAUST DUCT	1	EA	
6	PM120159	SCREW	27	EA	
7	070413-000	SUPPLY TUBE	1	EA	
8	037048-000	HOSE BAND	6	EA	
9	070369-000	TUBE	1	EA	
10	070380-000	JOINT TUBE	1	EA	
11	070381-000	HOSE BAND	6	EA	
12	070377-000	HEAT COVER TOP	1	EA	
13	028821-000	NUT; 4MM X 3.2MM	1	EA	Not available online / Call for pricing and availability
14	070352-000	THERMISTOR (STEAM HEATER THERMISTOR)	1	EA	
15	022474-000	SCREW : 4MM X 6MM	3	EA	
16	070362-000	ENGINE THERMO ANGLE	1	EA	
17	036972-000	THERMAL CUT OUT (CONVECTION)	1	EA	
18	019111-000	SCREW	3	EA	
19	028821-000	NUT; 4MM X 3.2MM	1	EA	Not available online / Call for pricing and availability
20	070366-000	THERMISTOR (OVEN THERMISTOR)	1	EA	
21	070367-000	SCREW: 4mm x 10mm	4	EA	
22	070374-000	ENGINE PACKING	1	EA	
23	070351-000	ENGINE UNIT ASSEMBLY (STEAM HEATER)	1	EA	
24	063140-000	LAMP GLASS	1	EA	
25	070368-000	LAMP TO AG (LAMP MOUNTING ANGLE)	1	EA	
26	070356-000	THERMAL CUT OUT (OVEN THERMAL PROTECTOR TOP)	1	EA	

Item	Part No.	Name	Qty	Uom	NOTES
27	070375-000	HEAT COVER RIGHT	1	EA	
28	037123-000	SPECIAL SCREW	31	EA	
29	063186-000	SCREW	2	EA	
30	PM100065	LIGHT BULB	1	EA	
31	070383-000	WASHER	2	EA	
32	070373-000	LAMP PACKING	1	EA	
33	037170-000	SCREW, 4MM X 8MM	11	EA	
34	070378-000	DOOR SPACER	2	EA	
35	070363-000	OVEN ASSEMBLY (OVEN CAVITY ASSEMBLY)	1	EA	
36	070382-000	MAGNET	1	EA	
37	037096-000	SCREW, 3MM X 10MM	8	EA	
38	070353-000	DISPLAY UNIT	1	EA	
39	070359-000	BUTTON B	1	EA	
40	070360-000	BUTTON C	1	EA	
41	070358-000	BUTTON A	1	EA	
42	070357-000	TOUCH CONTROL UNIT SK	1	EA	
43	070361-000	ENCODER BUTTON (DIAL)	1	EA	
44	070355-000	BOTTOM HEATER (LOWER HEATING ELEMENT)	3	EA	
45	070370-000	GRILL BOX	1	EA	
46	036972-000	THERMAL CUT OUT (CONVECTION)	1	EA	
47	063050-000	CORD HOLDER	3	EA	
48	070376-000	HEAT COVER BOTTOM	1	EA	
49	070372-000	HEAT INSULATION LOW	1	EA	



Appendix A:Pages Index

VCTSO5200SS Door 2
VCTSO5200SS Other 3
VCTSO5200SS Oven 1 4
VCTSO5200SS Oven 2 1



Appendix B:Parts Index

005226-000	4	070368-000	4
011900-000	1, 1	070369-000	4
019111-000	4	070370-000	4
022474-000	4	070371-000	4
028765-000	1	070372-000	4
028821-000	4, 4	070373-000	4
036972-000	4, 4	070374-000	4
036990-000	1, 1	070375-000	4
037048-000	4	070376-000	4
037060-000	1	070377-000	4
037096-000	1, 4	070378-000	4
037123-000	1, 4	070380-000	4
037170-000	4	070381-000	4
062590-000	1, 1	070382-000	4
063005-000	1	070383-000	4
063050-000	1, 4	070384-000	1
063070-000	1	070385-000	1
063075-000	1	070386-000	1
063113-000	1	070387-000	1
063140-000	4	070388-000	1
063147-000	1	070389-000	1
063186-000	4	070390-000	1, 3
067598-000	1	070391-000	1
070351-000	4	070392-000	1
070352-000	4	070393-000	1
070353-000	4	070394-000	1
070354-000	4	070395-000	1
070355-000	4	070396-000	1
070356-000	4	070397-000	1
070357-000	4	070398-000	1
070358-000	4	070399-000	1, 1
070359-000	4	070400-000	1, 1
070360-000	4	070401-000	1
070361-000	4	070402-000	1
070362-000	4	070403-000	1
070363-000	4	070404-000	1
070364-000	4	070405-000	1
070365-000	4	070406-000	1
070366-000	4	070407-000	1
070367-000	4	070408-000	1
		070409-000	1



070410-000 1
070411-000 1
070412-000 1, 1
070413-000 1, 4
070414-000 1
070415-000 1
070416-000 2
070420-000 3
070421-000 3
070423-000 3
070424-000 3
070425-000 3
070426-000 3
PM100065 4
PM120159 1, 4