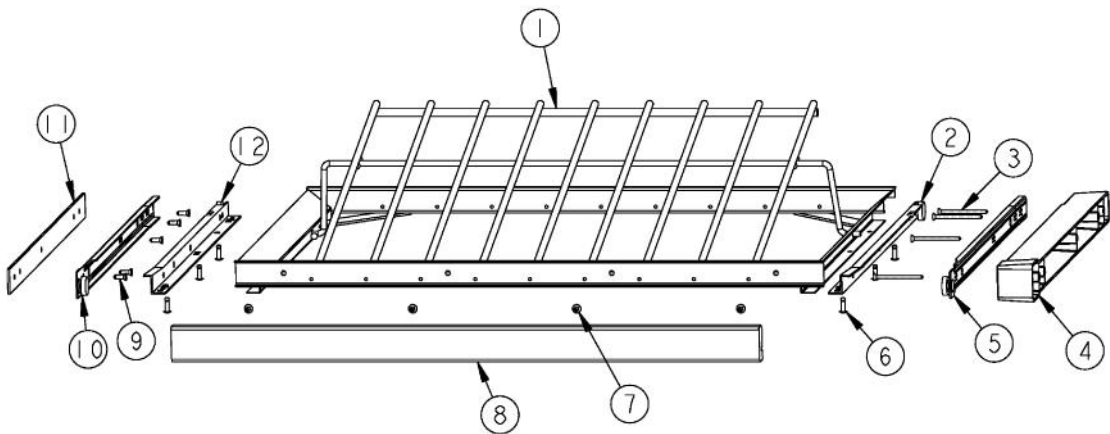
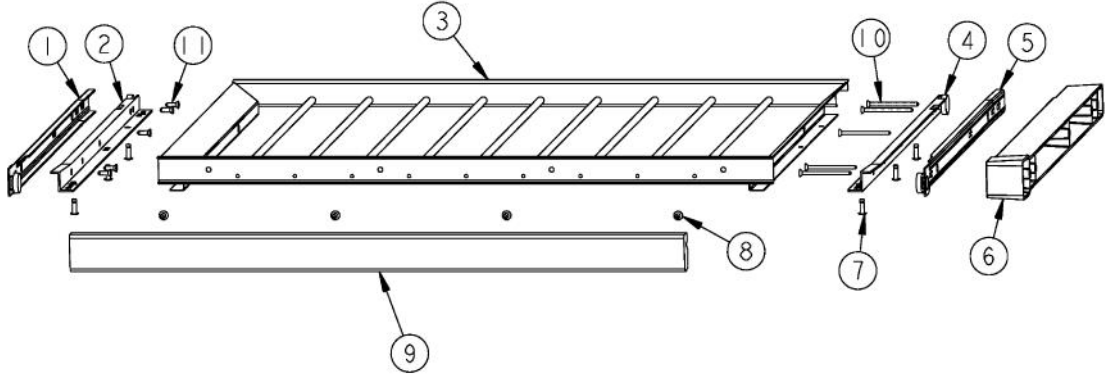


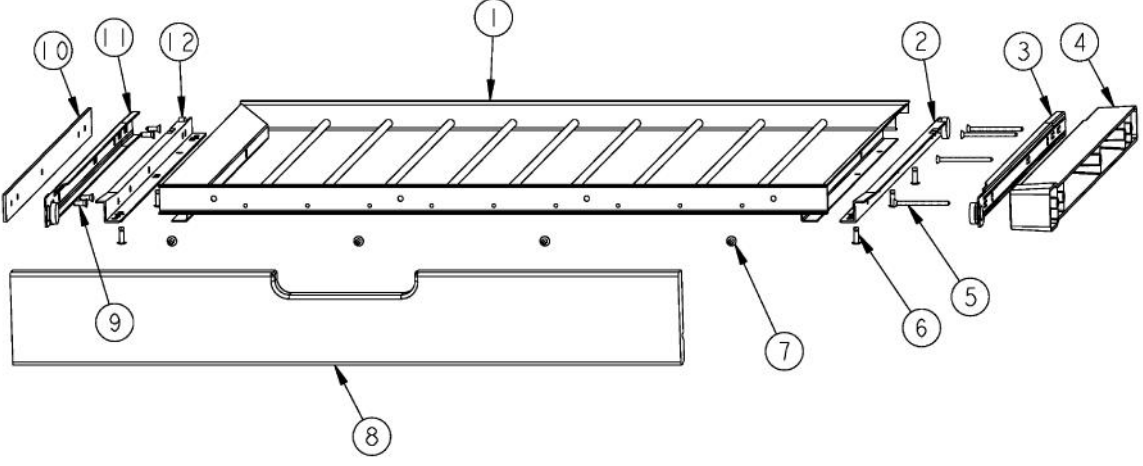
Ref #	Part Number	Qty.	Description
1	G5098397		WINE RACK ASSY COMP - ADJ SEE PAGE 002 FOR BREAKDOWN
2	G3298395		WINE RACK ASM TOP / MID SEE PAGE 003 FOR BREAKDOWN
3	G3298396		WINE RACK ASM BOT SEE PAGE 004 FOR BREAKDOWN
4	PE940181		MULLION SHELF
5	C9098304BK		BRACE-MULLION
6	PE950116		LIGHT ASSY - AURA
7	B1098316		WC LAMP CLIP
8	PD920147		6 X 1/2 HHW S/M/S HI - LO
9	M027516		ALUMINUM TAPE
10	PB920161		DRAIN TUBE
NI	PD930105		EAR CLAMP



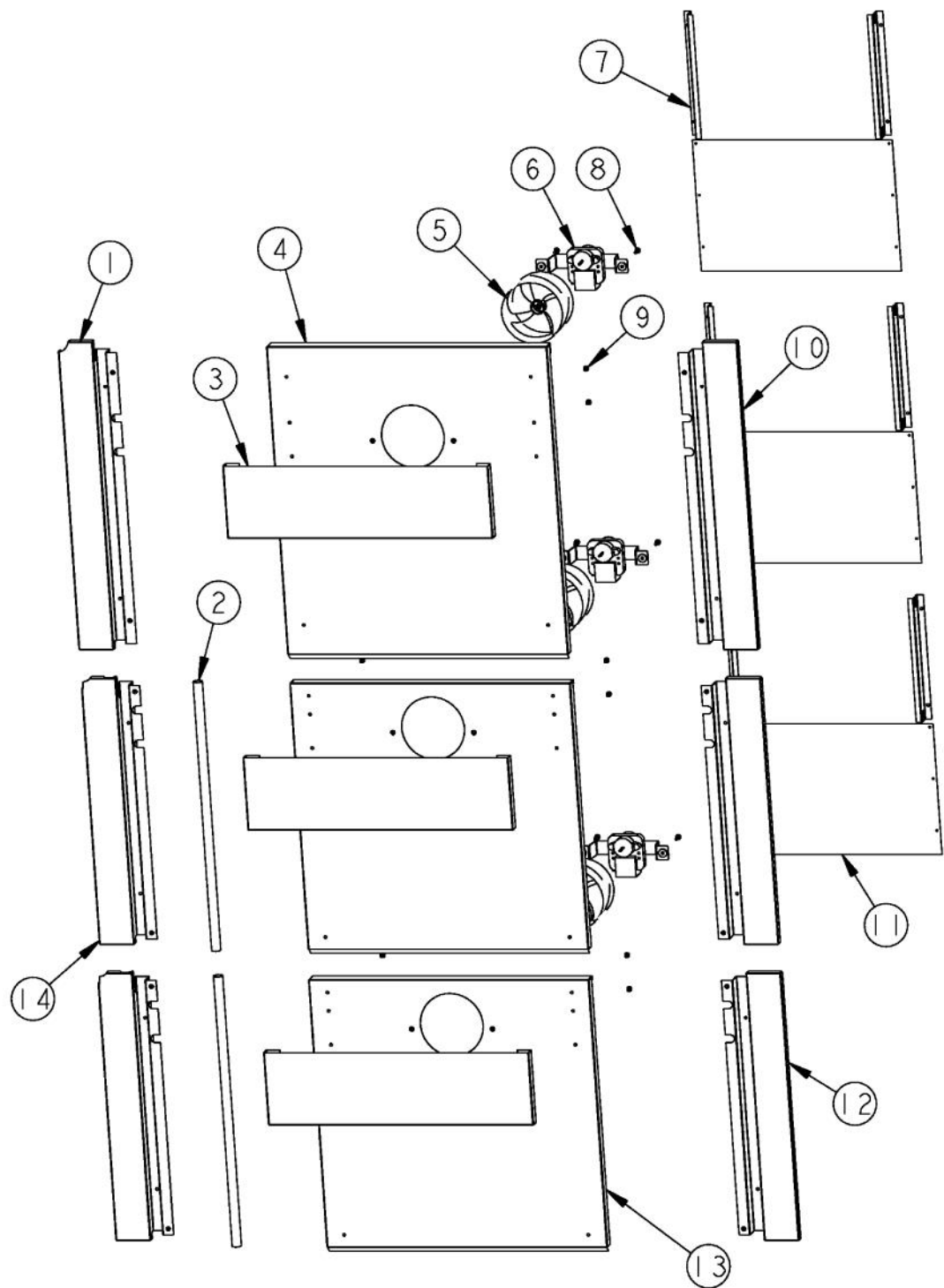
Ref #	Part Number	Qty.	Description
1	PB960088		WINE RACK ASSEMBLY
2	PC980001		WINE RACK SLIDE - RACK R
3	PD920155		FLATHEAD POINT TYPE AB NO.8-18 X 2
4	PD940103		SPACER - WINE RACK
5	PK900030		WINE RACK SLIDE - CABINET R
6	PC940018		POP RIVET - 5/32 X 1/8 - 1/4 GRIP
7	PD020194		SCREW-SM
8	025495-000	1	FRONT TOP/MID RACK TOP TWO
9	PD920140		SCREW
10	PK900029		WINE RACK SLIDE - CABINET L
11	PD940078		SPACER WINE RACK SLIDE .125 THICK
12	PC980002		WINE RACK SLIDE - RACK L



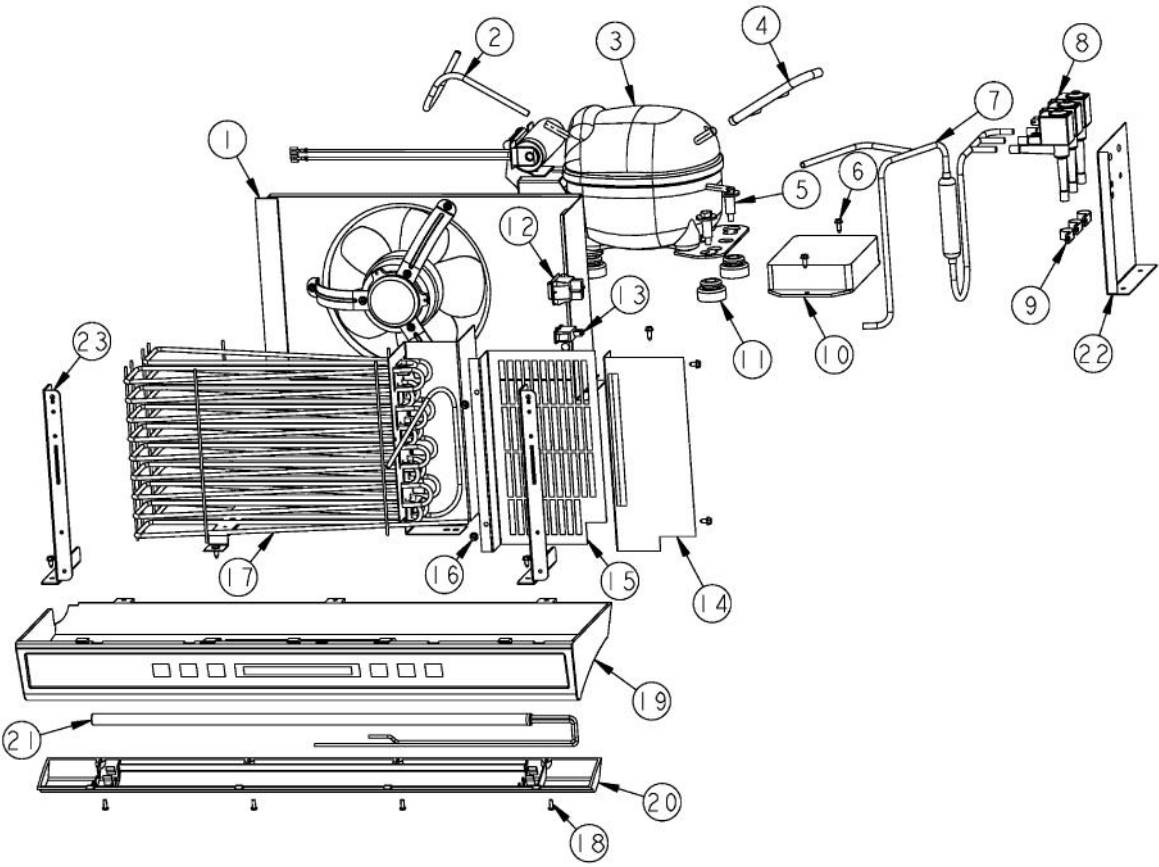
Ref #	Part Number	Qty.	Description
1	PM910289		WINE RACK ASSY FRAME
2	PC980001		WINE RACK SLIDE - RACK R
3	PK900030		WINE RACK SLIDE - CABINET R
4	PD940103		SPACER - WINE RACK
5	PD920155		FLATHEAD POINT TYPE AB NO.8-18 X 2
6	PC940018		POP RIVET - 5/32 X 1/8 - 1/4 GRIP
7	PD020194		SCREW-SM
8	025495-000	1	FRONT TOP/MID RACK TOP TWO
9	PD920140		SCREW
10	PD940078		SPACER WINE RACK SLIDE .125 THICK
11	PK900029		WINE RACK SLIDE - CABINET L
12	PC980002		WINE RACK SLIDE - RACK L



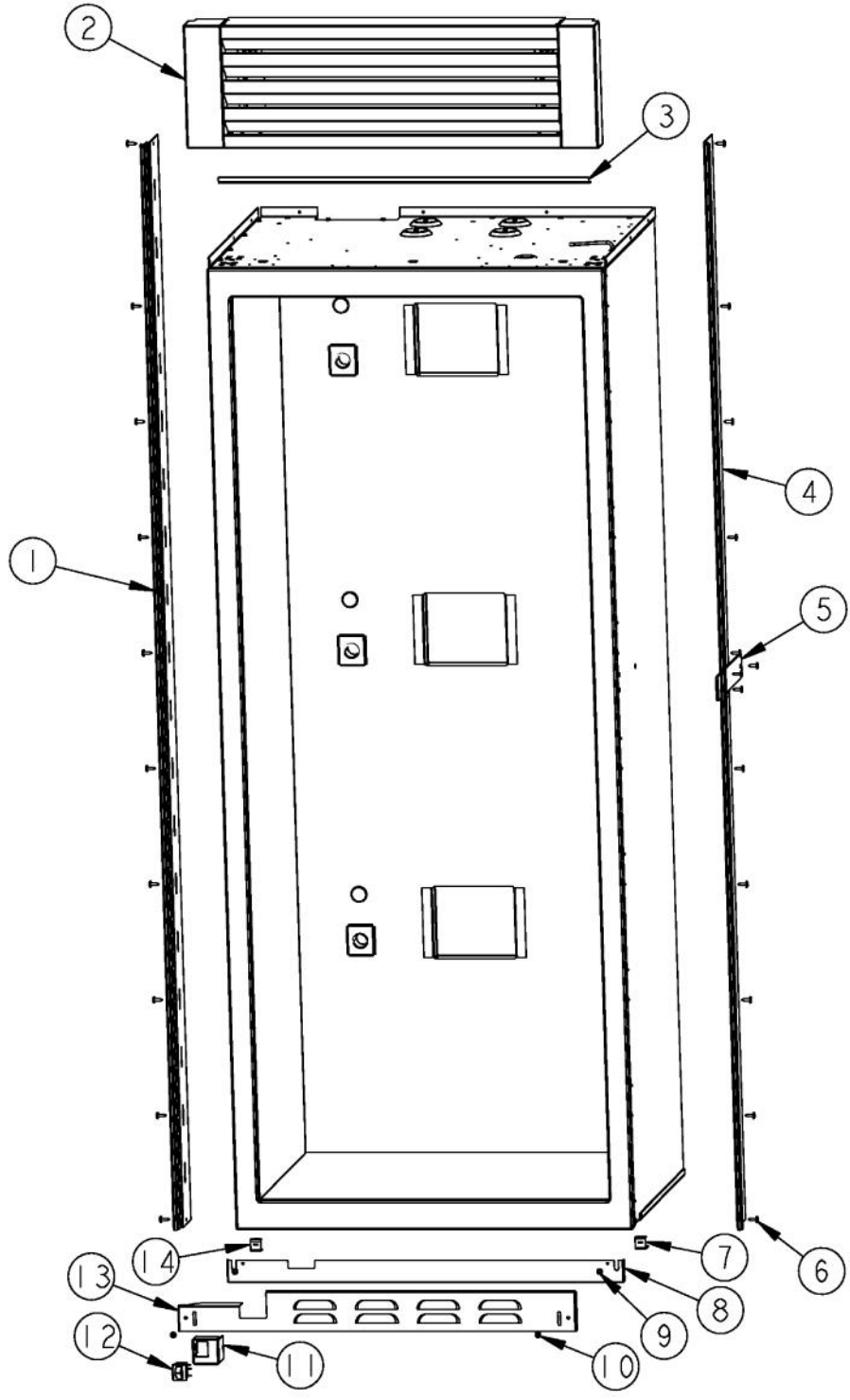
Ref #	Part Number	Qty.	Description
1	PM910289		WINE RACK ASSY FRAME
2	PC980001		WINE RACK SLIDE - RACK R
3	PK900030		WINE RACK SLIDE - CABINET R
4	PD940103		SPACER - WINE RACK
5	PD920155		FLATHEAD POINT TYPE AB NO.8-18 X 2
6	PC940018		POP RIVET - 5/32 X 1/8 - 1/4 GRIP
7	PD020194		SCREW-SM
8	025496-000	1	FRONT RACK BOTTOM TOP TWO
9	PD920140		SCREW
10	004245-000		SPACER, RACK, WINE
11	PK900029		WINE RACK SLIDE - CABINET L
12	PC980002		WINE RACK SLIDE - RACK L



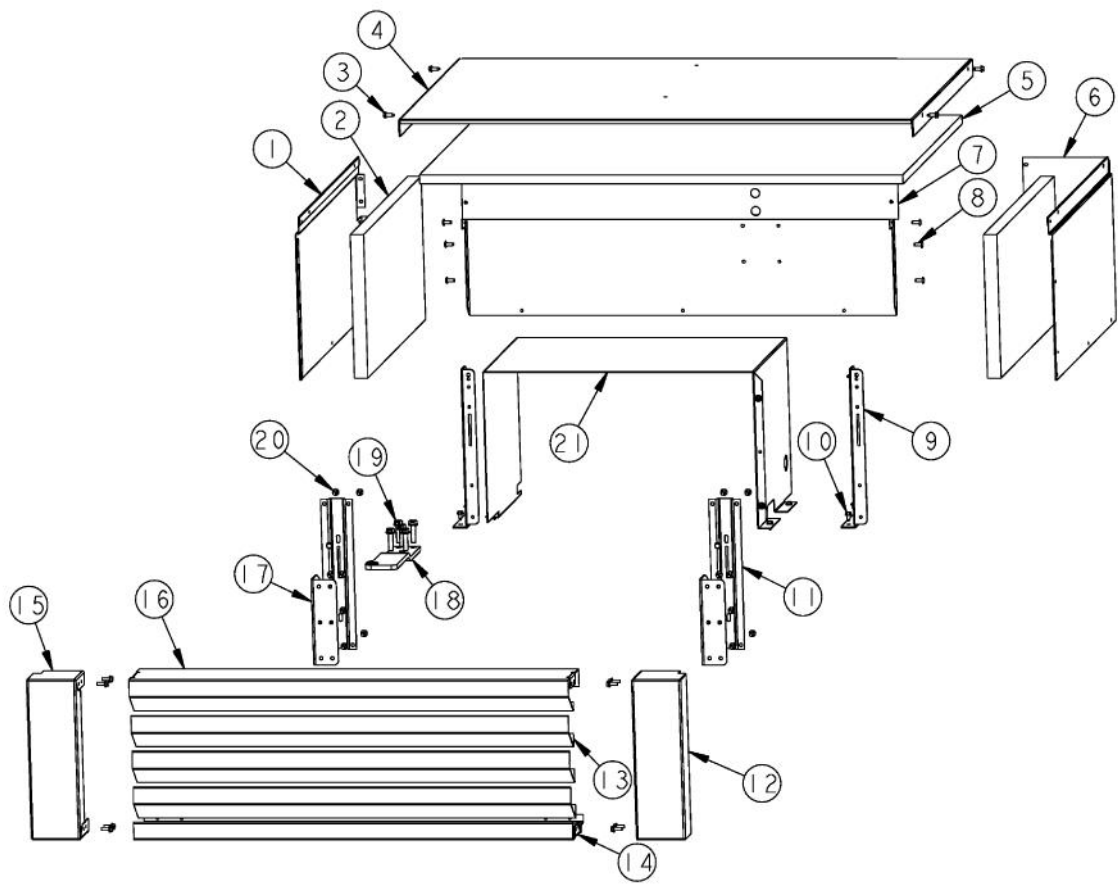
Ref #	Part Number	Qty.	Description
1	K2099257		SIDE SPACER - EVAP COVER, TOP LEFT
2	PB920161		DRAIN TUBE
3	K2097591		EVAP FAN COVER
4	K2097596		EVAP COVER - TOP
5	10855402		FAN-EVAP/4.330
6	PE970334		EVAPORATOR FAN MOTOR
7	K2098097		BAFFLE, EVAPORATOR
8	M0238859		SCREW-SHLDR
9	PD020194		SCREW-SM
10	K2099256		SIDE SPACER - EVAP COVER, TOP RT
11	PK930088		DRAIN SHIELD - EVAP
12	K2098019		SIDE SPACER EVAP MID/BTM
13	K2097593		EVAPORATOR COVER, MID/BTM
14	K2098090		SIDE SPACER - EVAP COVER MID LT



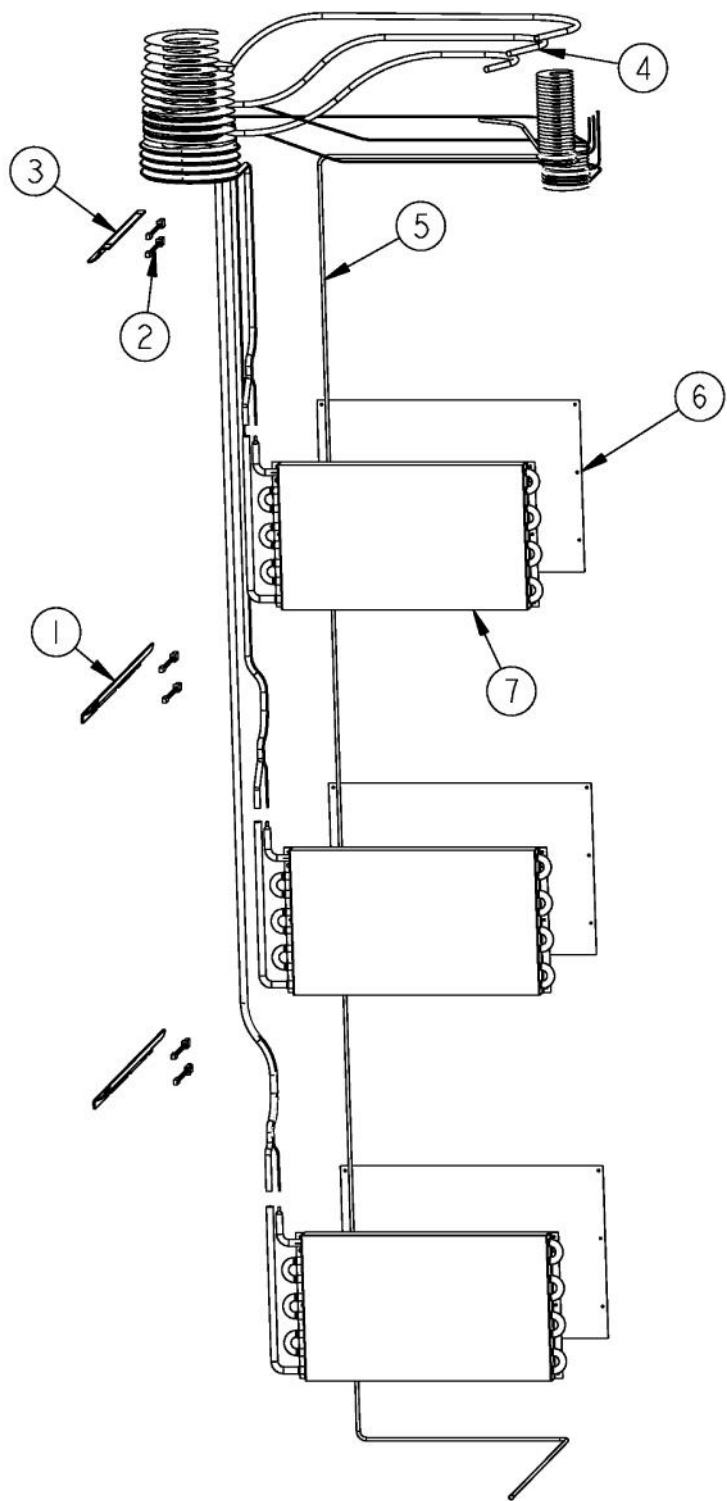
Ref #	Part Number	Qty.	Description
1	G5096494		COND. FAN ASSY
2	F2096507 PM910519		TUBE-PROCESS GRN COMPRESSOR WC 3/14/06 - 8/1/06
3	PM010607		COMPRESSOR AND ELECTRICALS WC 8/1/06 - PRESENT
4	PA050127		T-MANIFOLD
5	M0221523		SCREW - SHLDR
6	PD020194		SCREW-SM
7	PB920159		DRYER
8	PJ970001		FLUID CONTROL VALVE
9	M0102303		CLAMP-TUBE VM0102303
10	PE970388		WINE COOLER CONTROL (AFTER SER. NO. 031212R10003440)
NI	042034-000		VSD DISPLAY KIT FOR TR-0074-SP BULLETIN (PRIOR TO SER. NO. 031212R10003440 - IF DISPLAY IS NEE...
11	10835901		GROMMET RUBBER V10835901
12	PE950149		SWITCH POWER
13	PE950124		SWITCH - ROCKER
14	003589-000		GUARD MC WC RIGHT
15	003586-000		MC GUARD
16	M0211016		SCREW-SM
17	PB920171		CONDENSER ASM
18	PD020076		6-32 X 3/8 PHILL PAN MS
19	PE940169		CONTROL PANEL ASSY (AFTER SER. NO. 031212R10003440)
NI	042034-000		VSD DISPLAY KIT FOR TR-0074-SP BULLETIN (PRIOR TO SER. NO. 031212R10003440 - IF DISPLAY IS NEE...
20	PK930101		HOLDER - LAMP
21	PE950116		LIGHT ASSY - AURA
22	K2097560		MOUNTING BRACKET FLUID CONTROL
23	K20912569		BRACKET GRILLE SUPPORT



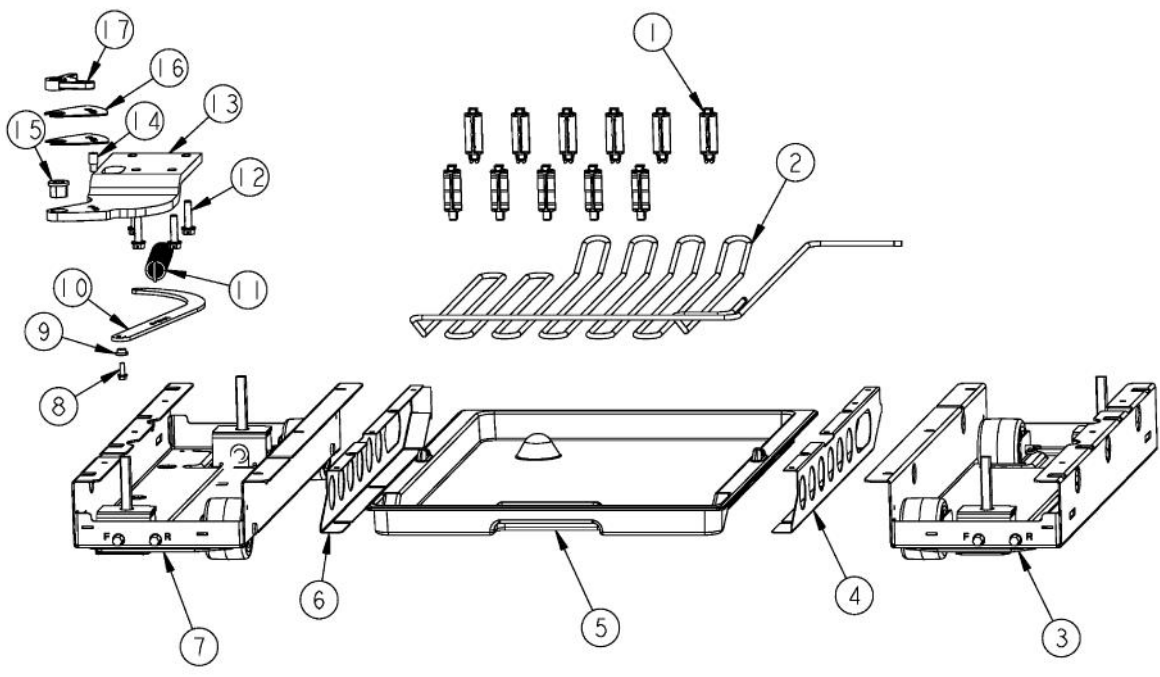
Ref #	Part Number	Qty.	Description
1	B2098011		SIDE TRIM
2	G3297500		GRILLE ASSY - 30 PRO WC LH FOR BREAKDOWN SEE PAGE 008
NI	G3297501		GRILLE ASSY - 30 PRO WC RH FOR BREAKDOWN SEE PAGE 008
3	B2097509		GRILLE - TOP TRIM
4	B2098350		SIDE TRIM - WC PRO LH
5	PC920189		STRIKE PLATE
6	M0210458		SCREW-SM
7	K2098044		BRKT GRILLE SUPPORT
8	C9098048BK		BASE GRILLE - LH
8	C9098042BK		BASE GRILLE - WC BOT RH
9	40370P01		NYLON FLAT WASHER V40370P01
10	M0210443		SCREW-E SM
11	C9098045BK		BASE GRILLE SWITCH MOUNT - LH
11	C9098046BK		BASE GRILLE SWITCH MOUNT - RH
12	PE950118		SPDT SWITCH
13	C9098047BK		BASE GRILLE - WC TOP LH BK
13	C9098041BK		BASE GRILLE - WC TOP RH
14	K2098096		BRKT GRILLE SUPPORT
NI	G3298040		BASE GRILLE - WC LH INCLUDES ITEMS No.8, No.9, No.10, No.13
NI	G3298049		BASE GRILLE - WC RH INCLUDES ITEMS No.8, No.9, No.10, No.13



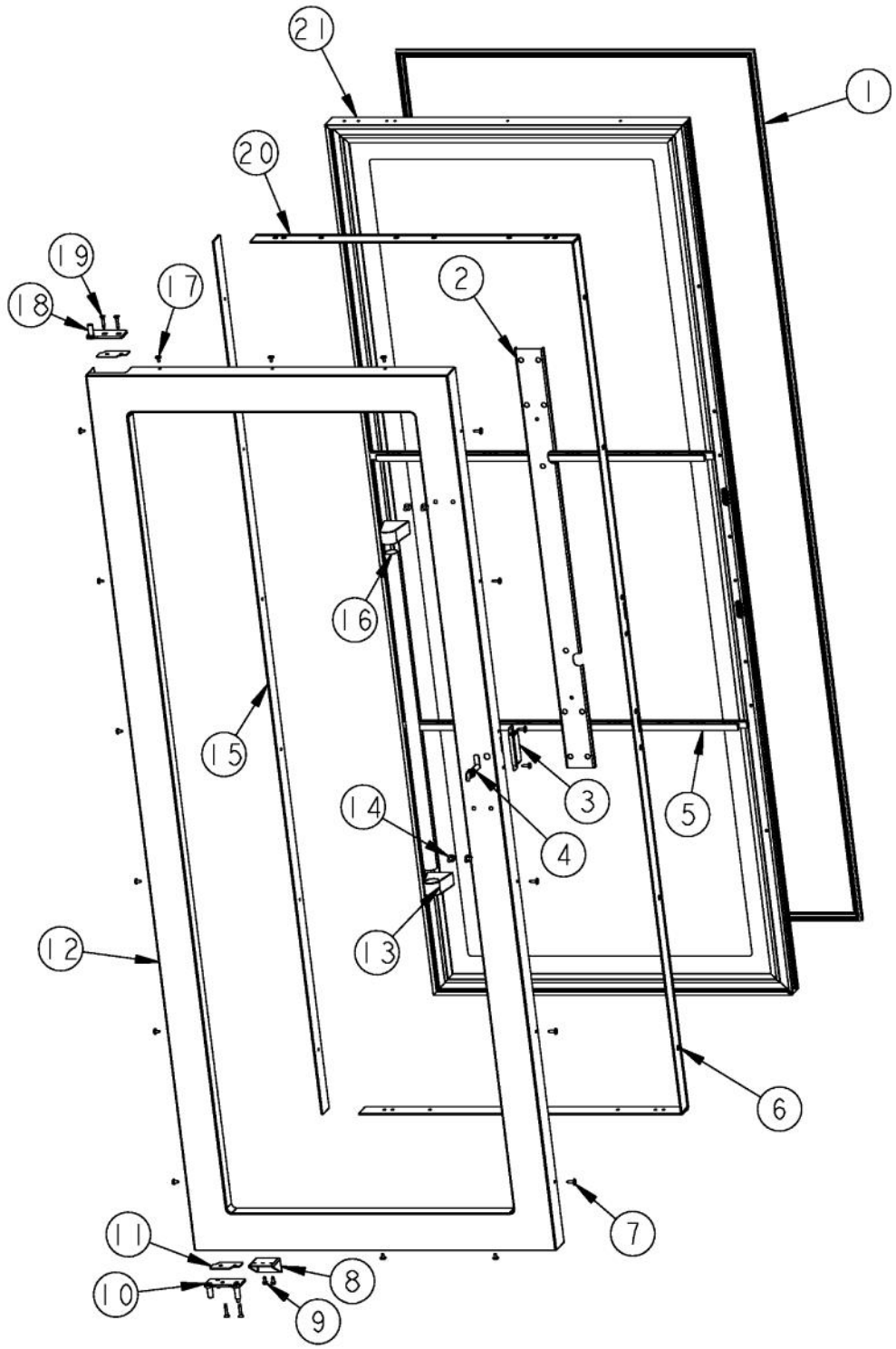
Ref #	Part Number	Qty.	Description
1	K2099460		MC SIDE L
2	PB070346		FOAM INSULATION-LEFT
3	PD020194		SCREW-SM
4	K2099930		MC TOP 30
5	PB070348		FOAM INSULATION-TOP
6	K2099459		MC SIDE R
7	K2099932		MC BACK 30
8	PC040010		POP RIVET
9	K20912569		BRACKET GRILLE SUPPORT
10	M0211016		SCREW-SM
11	K20911891		GRILLE BRACKET WC
12	B2097508		ENDCAP LH/RH
13	B2097503		LOUVER MID - 30 PRO WC
14	B2097504		LOUVER BOT - 30 PRO WC
15	B2097506		ENDCAP PRO LH HINGE
16	B2097502		LOUVER TOP - 30 PRO WC
17	B2097510		BRACKET - LOUVER
18	PC920131		HINGE PLATE - LH UPPER
18	PC920130		TOP HINGE ASSY (RH)
19	000570-000		HEX SCREW
20	M0220417		SCREW-TC
21	K2098054		COVER - CONDENSOR COIL



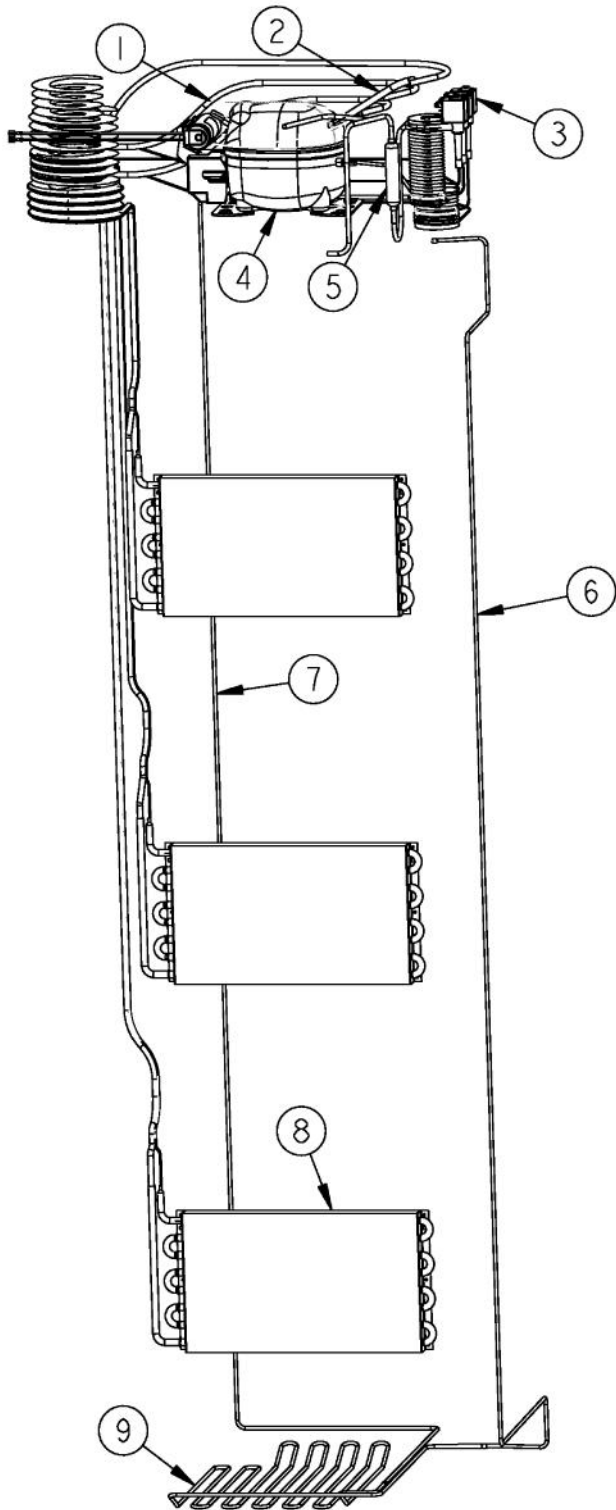
Ref #	Part Number	Qty.	Description
1	PK930124		WIRE, CHANNEL
2	PJ930025		WC - THERMISTER
3	PK930089		EXTRUSION - WIRE CHANNEL
4	PB920158		HEAT EXCHANGE TUBING - TOP USED FOR ALL THREE EVAPS
5	F2098043		DISCHARGE TUBING
6	PK930088		DRAIN SHIELD - EVAP
7	PJ960001		EVAPORATOR ASSY



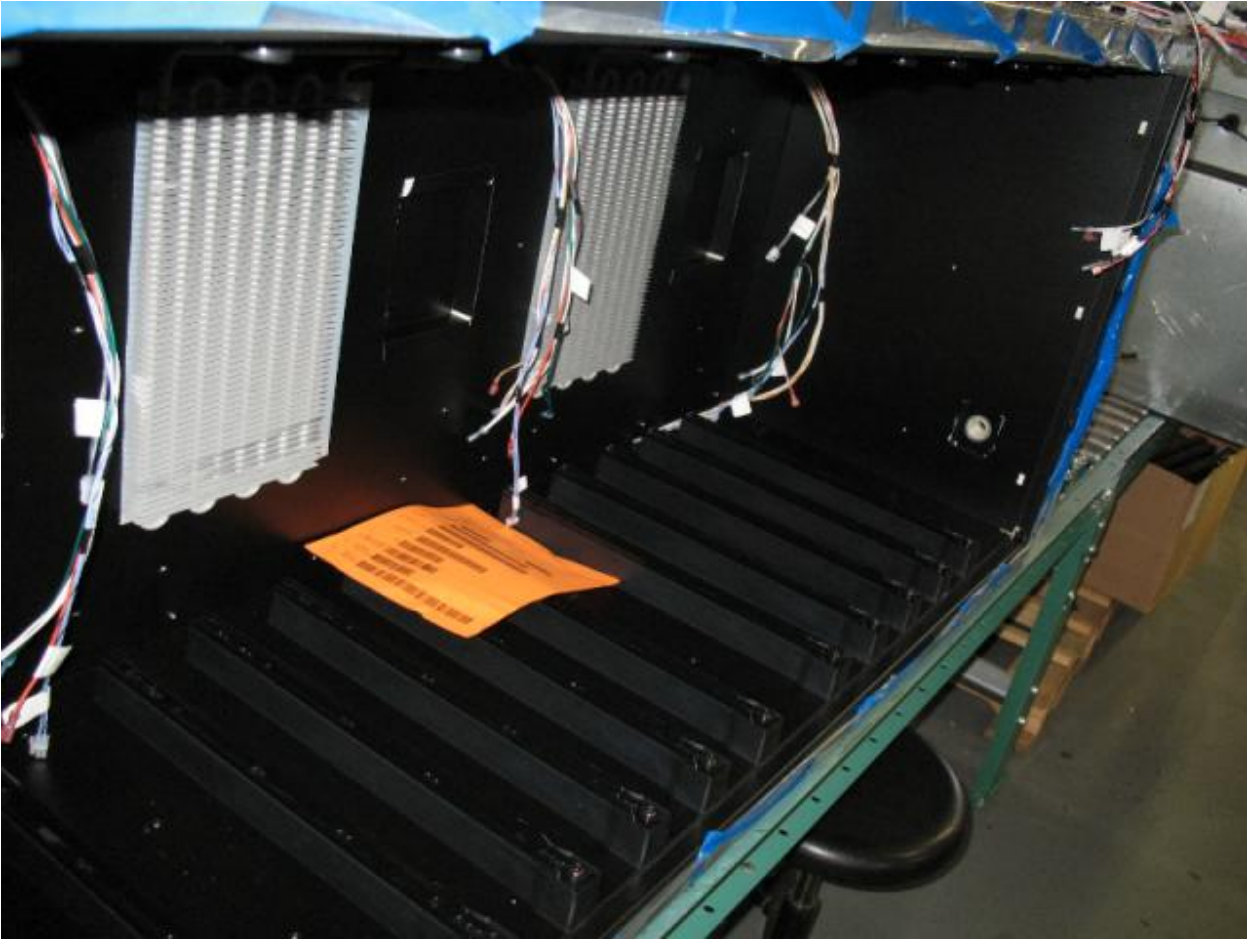
Ref #	Part Number	Qty.	Description
1	12071201		CLIP-DRAIN LOOP
2	F2098327		WC - SERPENTINE - DRAIN
3	PM910398		LEVELER ASSEMBLY - R
4	K2098050		GUIDE RAIL, PAN, RH
5	12071301		PAN-DRAIN (NON-ANTIMICROBIAL)
6	K2098051		GUIDE RAIL, PAN, LH
7	PM910399		LEVELER MODULE L
8	M0220417		SCREW-TC
9	PD940094		BUSHING
10	PC920149		BAR-WC BOT HINGE LH
10	PC920166		BAR-WC BOT HINGE RH
11	PC910015		SPRING EXTENSION
12	000570-000		HEX SCREW
13	PC920143		HINGE PLATE - WC BOT LH
13	PC920142		HINGE PLATE - WC BOT RH
14	PC920145		PIN - DOOR STOP
15	PD940090		BUSHING - WC DOOR LEVEL
16	PC920144		PLATE - WC DOOR SHIM
17	PD940091		BUSHING - DOOR STOP



Ref #	Part Number	Qty.	Description
1	PB970233		WINE CELLAR DOOR GASKET
2	K2098342		BRACKET - HANDLE SUPPORT
3	B2098666		COVER STRIKE
4	001400-000		LOCKING, ARM ASM PRO
5	PB970148		GASKET - WC DOOR SEAL
6	PK930155		SPACER - WC PRO / DES HANDLE
6	PK930103		SPACER - HINGE SIDE
7	M0210458		SCREW-SM
8	PD050019		STRIKER DOOR SWITCH
9	PD020194		SCREW-SM
10	PC920147		PIVOT PLATE ASSY - WC LH BOT
10	PC920146		PIVOT PLATE ASSY - WC RH BOT
11	PD940092		SPACER - DOOR HINGE
12	PM910272		SKIN - WC DOOR W/LOCK PRO LH
12	PM910271		SKIN - WC DOOR W-LOCK PRO RH
13	PE030001		BRACKET, DOOR, HANDLE
13	PE030001PVD		END CAP DOOR HANDLE XBR
14	M0204303		SCREW-MACH
15	PK930103		SPACER - HINGE SIDE
15	PK930155		SPACER - WC PRO / DES HANDLE
16	PE930101		VCSB482 HANDLE -(12466403)
16	PE030173PVD		BRASS HANDLE
17	PD020032		SRW-8(A)X3/8PH.WFR HD 7/16DIAXNICL
18	PC920132		PIVOT PLATE ASSY - LH
18	PC920133		PIVOT PLATE ASSY - RH
19	PD920174		10-32 TORX HEAD SCREW
20	PK930099		SPACER - DOOR WC PRO
21	PM010595		DOOR GLASS ASM DES/PRO CLR
21	PM010599		DOOR GLASS ASM DES PRO FLT
NI	G5099007		DOOR NAMEPLATE VIKING WC
NI	G5099007BR		DOOR NAMEPLATE VIKING WC
NI	G32915045		DOOR ASM WC PRO LH CLR
NI	G32915045BR		COMPLETE CLEAR GLASS DOOR - LH (BRASS)
NI	G32915046		DOOR ASM WC PRO RH CLR
NI	G32915046BR		DOOR ASM WC PRO RH CLR
NI	G32915080		COMPLETE FLUTED GLASS DOOR - LH
NI	G32915080BR		COMPLETE FLUTED GLASS DOOR - LH (BRASS)
NI	G32915079		COMPLETE FLUTED GLASS DOOR - RH
NI	G32915079BR		COMPLETE FLUTED GLASS DOOR - RH (BRASS)
NI	PM910318		WC DOOR LOCK KEY



Ref #	Part Number	Qty.	Description
1	PB920158		HEAT EXCHANGE TUBING - TOP
2	PA950079		T MANIFOLD
3	PJ970001		FLUID CONTROL VALVE
4	PM910519		COMPRESSOR WC
5	PB920159		DRYER
6	F2098012		PC LOOP
7	F2098043		DISCHARGE TUBING
8	PJ960001		EVAPORATOR ASSY
9	F2098327		WC - SERPENTINE - DRAIN



Ref #	Part Number	Qty.	Description
1	PE970427		CABINET WIRE HARNESS

Ref #	Part Number	Qty.	Description
1	PE970333		WIRE HARNESS ASSY (AFTER SER. NO. 031212R10003440 - IF DISPLAY IS NEEDED)
NI	042034-000	1	VSD DISPLAY KIT FOR TR-0074-SP BULLETIN (PRIOR TO SER. NO. 031212R10003440)