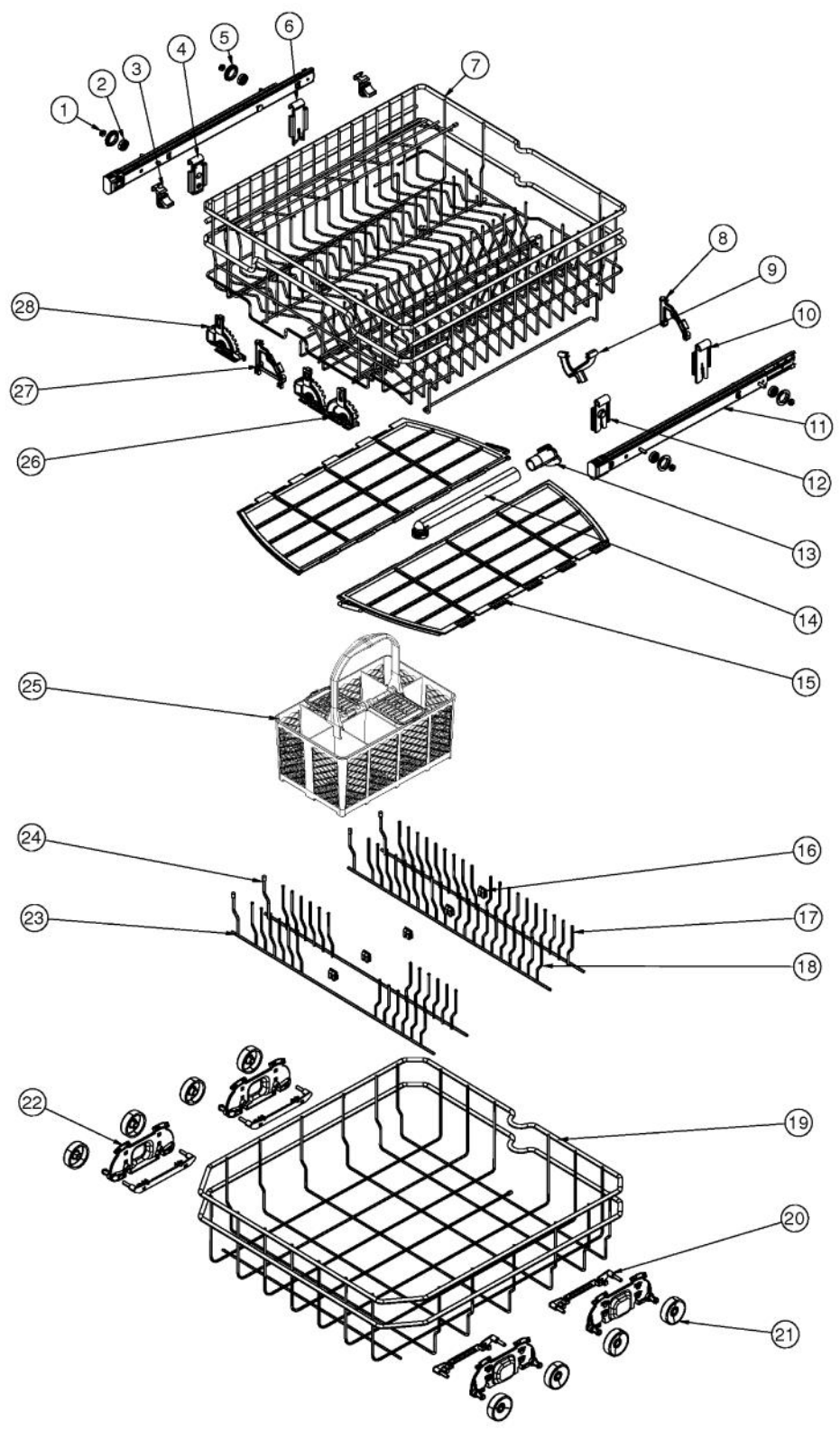
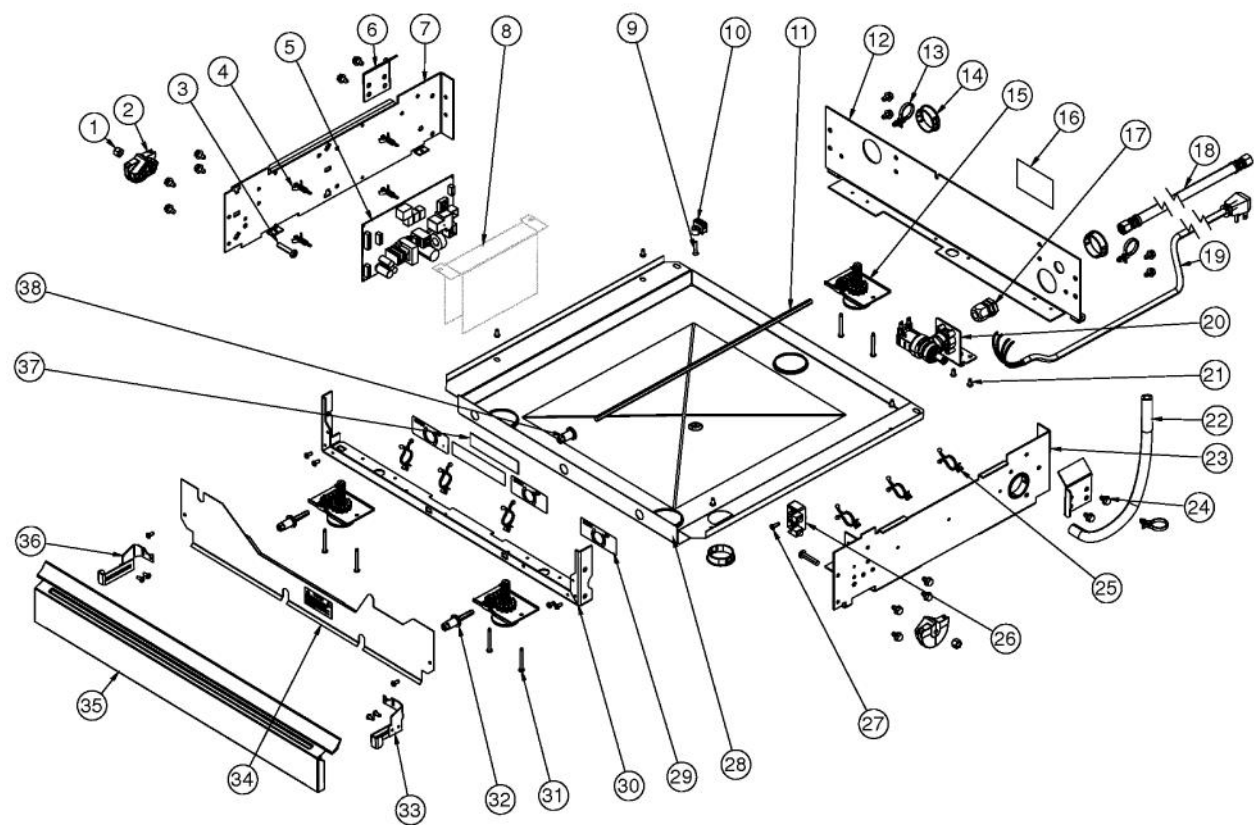


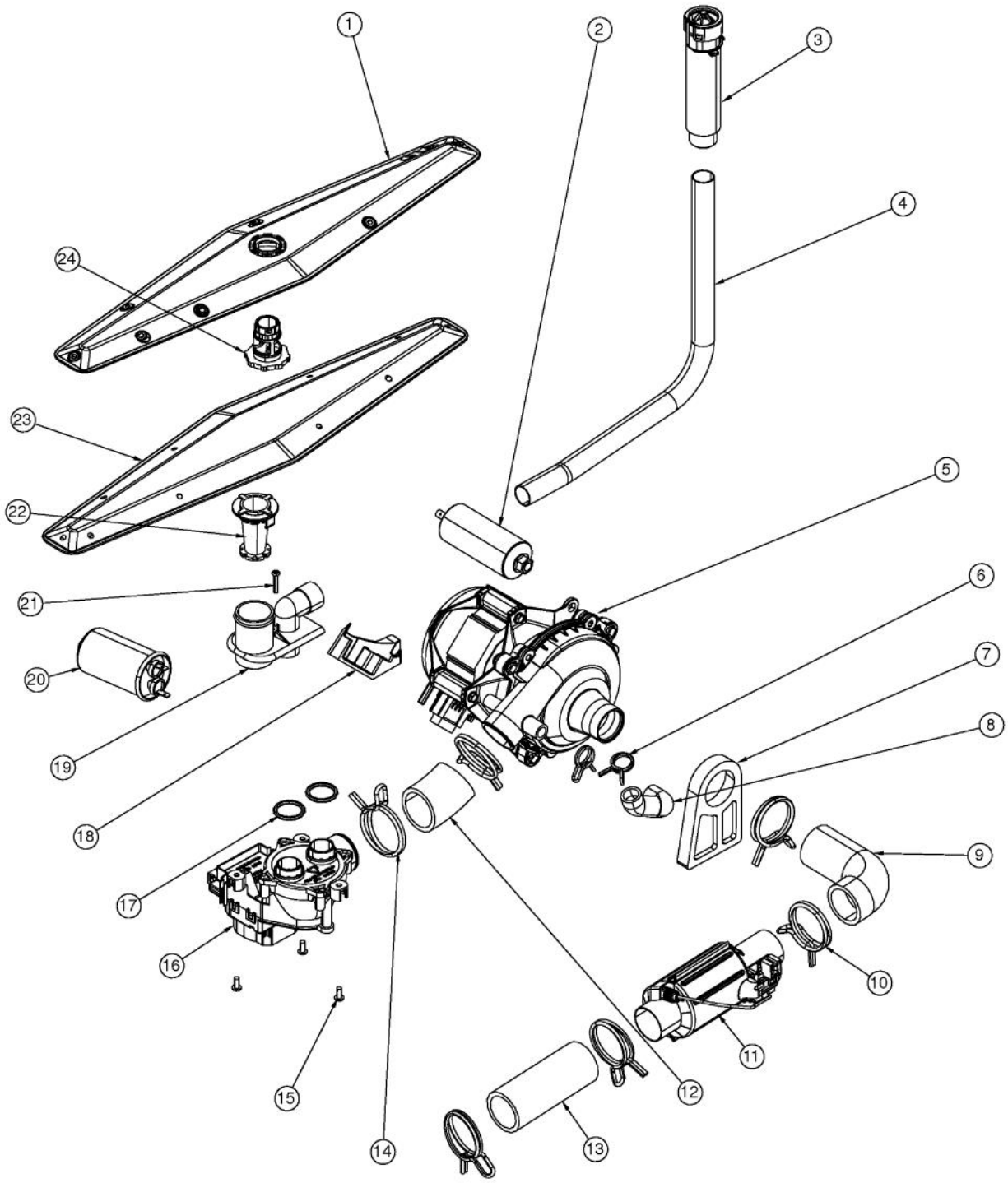
Ref #	Part Number	Qty.	Description
1	016599-000	1	BRACKET, MTG, TOP , LEFT
2	000572-000	1	CLIP, MTG
3	016606-000	1	BRACKET, MTG, TOP, CTR, R
4	NON-SERVICEABLE	1	TUB WELDMENT
5	013449-000	2	EDGING, MOUNTING TRIM, 325
6	002298-000	2	DAMPENER ASSEMBLY, DOOR
7	PM810487	2	DOOR DAMPENER CABLE
8	PD020263	4	SCREW; 10-32 X 5/8 TORX, FLAT HD, MACHINE, 18-8SS
9	C93813632	1	HINGE, DOOR RIGHT PLATED
10	034277-000	2	LOCK, AIR & WATER INLET, GRAPHITE GRAY
11	030903-000	1	CHANNEL, OVERFLOW INSERT- BLACK
12	C93813631	1	HINGE, DOOR LEFT PLATED



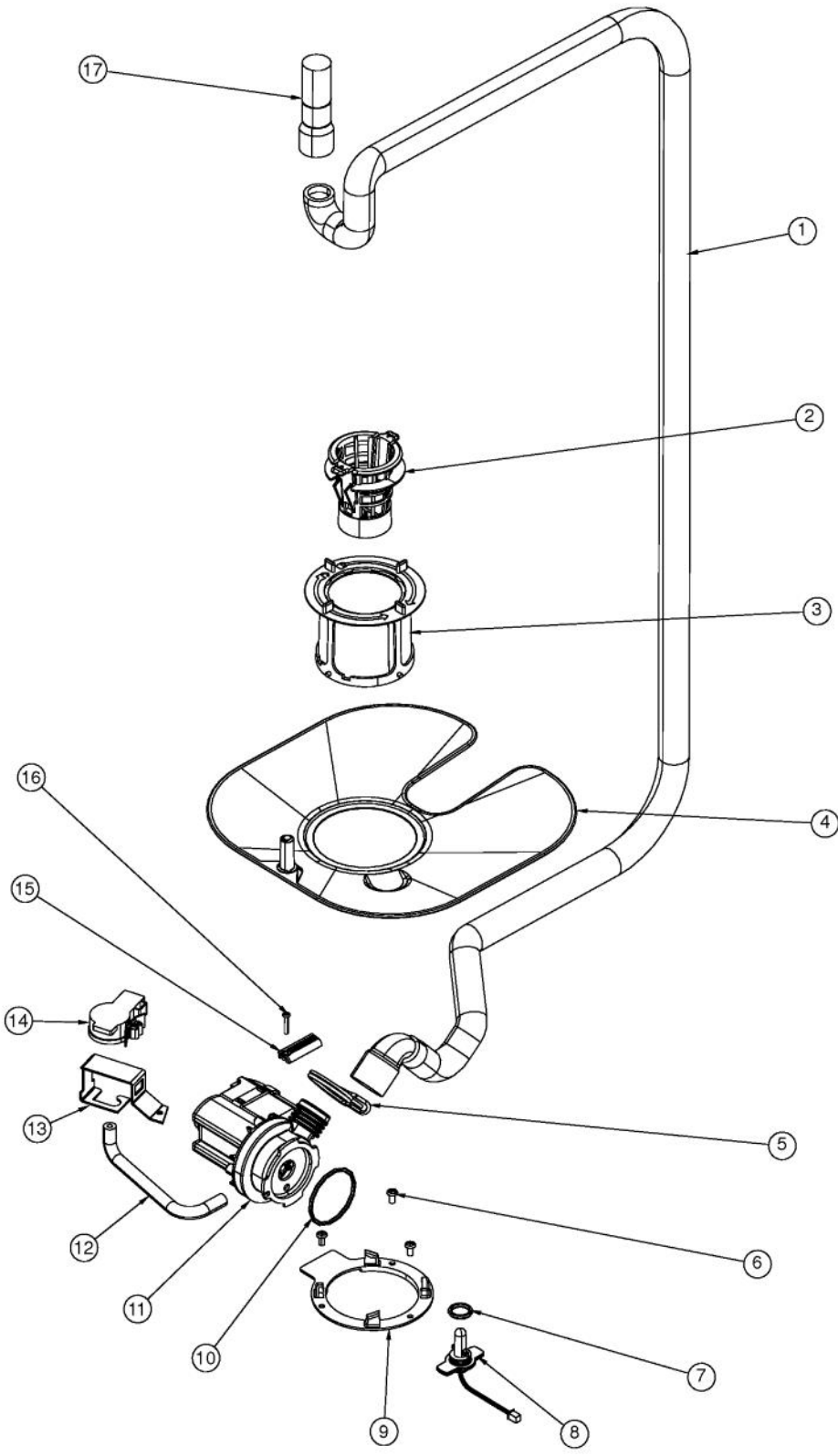
Ref #	Part Number	Qty.	Description
1	PD030156	4	NUT, W/TOOTHWASHER, ZINC, 10-32
2	PK030448	4	RACK SLIDE SPACER
3	036571-000	2	SUPPORT, SHELF END, GRAPHITE GRAY
4	034201-000	1	CLIP, RACK SLIDE-LF
5	PK030536	4	SLEEVE, SPACER
6	034202-000	1	CLIP, RACK SLIDE-LR
7	031897-000	1	RACK, UPPER ASSY, 351- REFRESH
8	034214-000	1	DISH GUARD SUPPORT, REAR-GRAPHITE GRAY
9	034211-000	1	MIDDLE SPRAY ARM BRKT-GRAPHITE GRAY
10	034204-000	1	CLIP, RACK SLIDE-RR
11	027444-000	2	SLIDE, RACK, ASSY, W/END CAP
12	034203-000	1	CLIP, RACK SLIDE-RF
13	034213-000	1	COUPLING, ADJ PORT-GRAPHITE GRAY
14	034212-000	1	CONDUIT, SPRAY ARM-GRAPHITE GRAY
15	PK830249	2	DISH GUARD
16	034210-000	5	DISH RACK CLIP-GRAPHITE GRAY
17	031888-000	1	TINE, LOWER 19 B ASSY- REFRESH
18	031889-000	1	TINE, LOWER 19 ASSY- REFRESH
19	031898-000	1	RACK, LOWER ASSY, 301-GRAPHITE GRAY
20	003479-000	4	LOWER RACK WHEELS BRACKET RETAINER
21	PC030032	8	WHEEL RACK
22	003478-000	4	LOWER RACK WHEELS BRACKET
23	031904-000	1	TINE, 13 LOWER A- REFRESH
24	031905-000	1	TINE, 13 LOWER B ASSY- REFRESH
25	031523-000	1	SILVERWARE BASKET ASSY- 325E SERIES
26	003151-000	1	FLEXO-DIVIDER, DOUBLE
27	034218-000	1	HANGER, DISH GUARD CLIP,FRONT-GRAPHITE GRAY
28	003150-000	1	FLEXO-DIVIDER, SINGLE



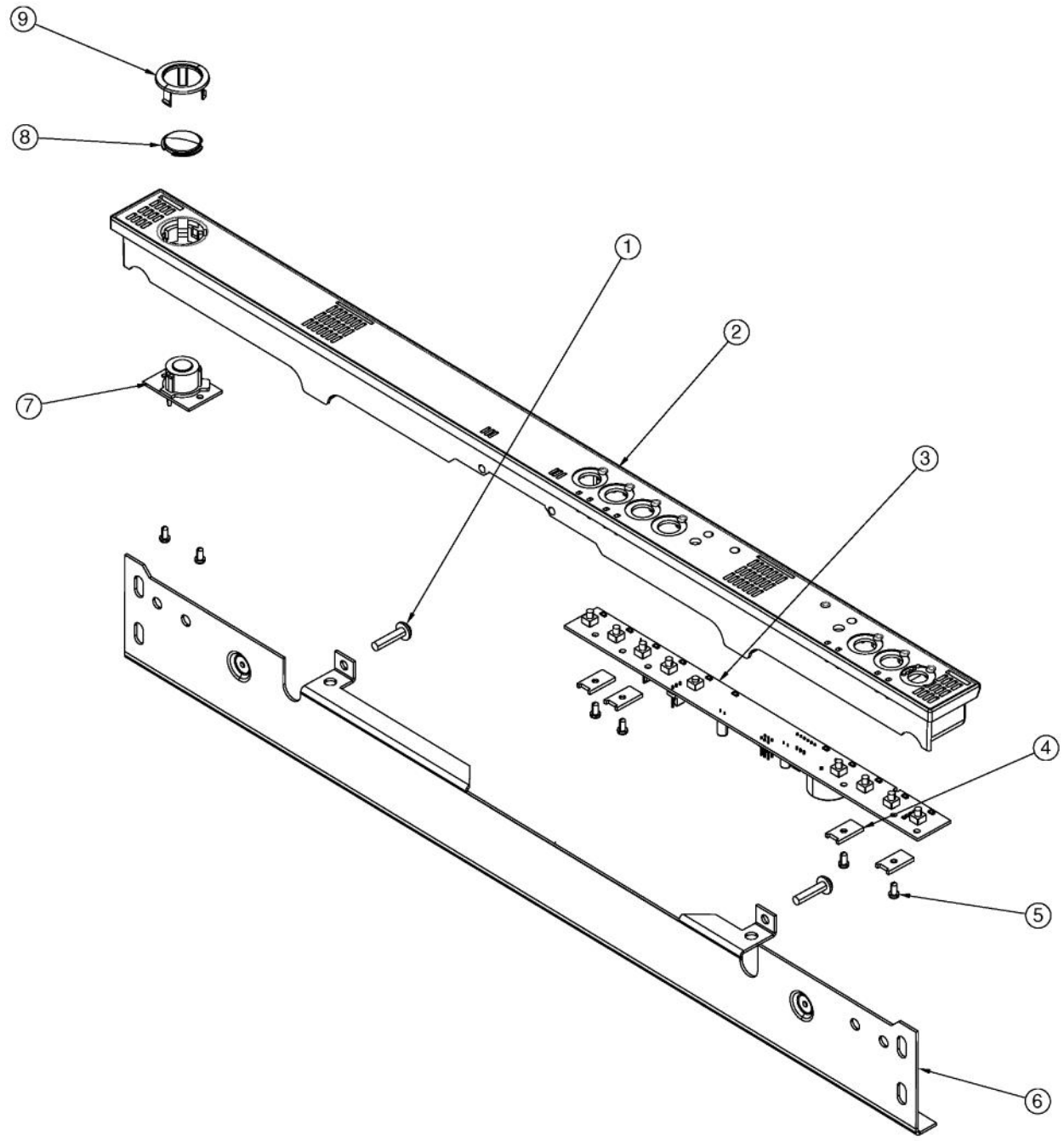
Ref #	Part Number	Qty.	Description
1	PD030179	2	1/4-20 HEX NYLON INSERT LOCK NUT
2	PM810488	2	DOOR DAMPENER PULLEY
3	PD020265	2	1/4-20 X 1 1/4 TORX PAN HD MACHINE SCREW
4	016332-000	4	CIRCUIT BOARD, NYLON, G60 SHIELD
5	031421-000	1	CONTROLLER, MACHINE, DISHWASHER-ELAN`
6	023975-000	2	CLAMP, TUB, REAR
7	032445-000	1	BASE, SIDE, LEFT, 201/351
8	PB070338	1	SHIELD, DIELECTRIC
9	PD020236	1	SCREW, NO.8 - 16 X 3/4, TORX, FLAT HEAD, HI-LO, 304SS
10	PE050229	1	FLOOD SENSOR
11	PM810495	1	HEX BAR
12	024041-000	1	BRACKET, BASE, REAR
13	006575-000	3	TIE WRAP
14	PD040163	4	BUSHING, POWER CORD
15	G5088830	3	LEG LEVELING SYSTEM ASSEMBLY
16	017130-000	1	MAXIMUM DEPTH INSTALLATION STICKER
17	PE070209	1	STRAIN RELIEF
18	007564-000	1	HOSE, WATER FILL, 5-FOOT
19	005033-000	1	POWER CORD-90 DEGREE
20	029377-000	1	WATER VALVE ASSEMBLY S-101D
21	PD020249	16	SCREW, NO.8-18 X 3/8, TYPE B, TORX, PAN HEAD, ZINC, BL...
22	034959-000	1	HOSE, 12 INL. VALVE TO AIR/ WATER INLET
23	032444-000	1	BASE, RIGHT SIDE, WELD ASSY- 201/301
24	PD020255	14	1/4-20 X 3/8 HEX WSHR THD CUT ZINC
25	001796-000	6	RETAINER, HARNESS
26	PE070708	1	TERMINAL BLOCK
27	PD020214	1	SCREW, TYPE F, PAN, TORX, ZINC, 8-32 X 0.5
28	024147-000	1	PAN, BASE, BOTTOM
29	PF031283	3	LABEL, LEVELING ARROWS
30	023534-000	1	BASE, FRONT
31	PD020215	6	SCREW, TYPE F, PAN, TORX, ZINC, 8-32 X 1.5, BLUNT
32	PK830395	2	HEX HEAD ADJUSTER, FRONT
33	010851-000	1	BRACKET, ADJUSTABLE TOE KICK, RIGHT, ASSY
34	035138-000	1	PANEL, BASE, FR, BR
35	017249-000	1	KICKPLATE, BLACK, ASSY
36	010850-000	1	BRACKET, ADJUSTABLE TOE KICK, LEFT, ASSY
37	032720-000	1	LABEL, CAUTION, LEVELING LEGS
38	PK830366	1	HEX HEAD ADJUSTER, REAR
NI	035154-000	1	INSTALLATION KIT ASSY - 301



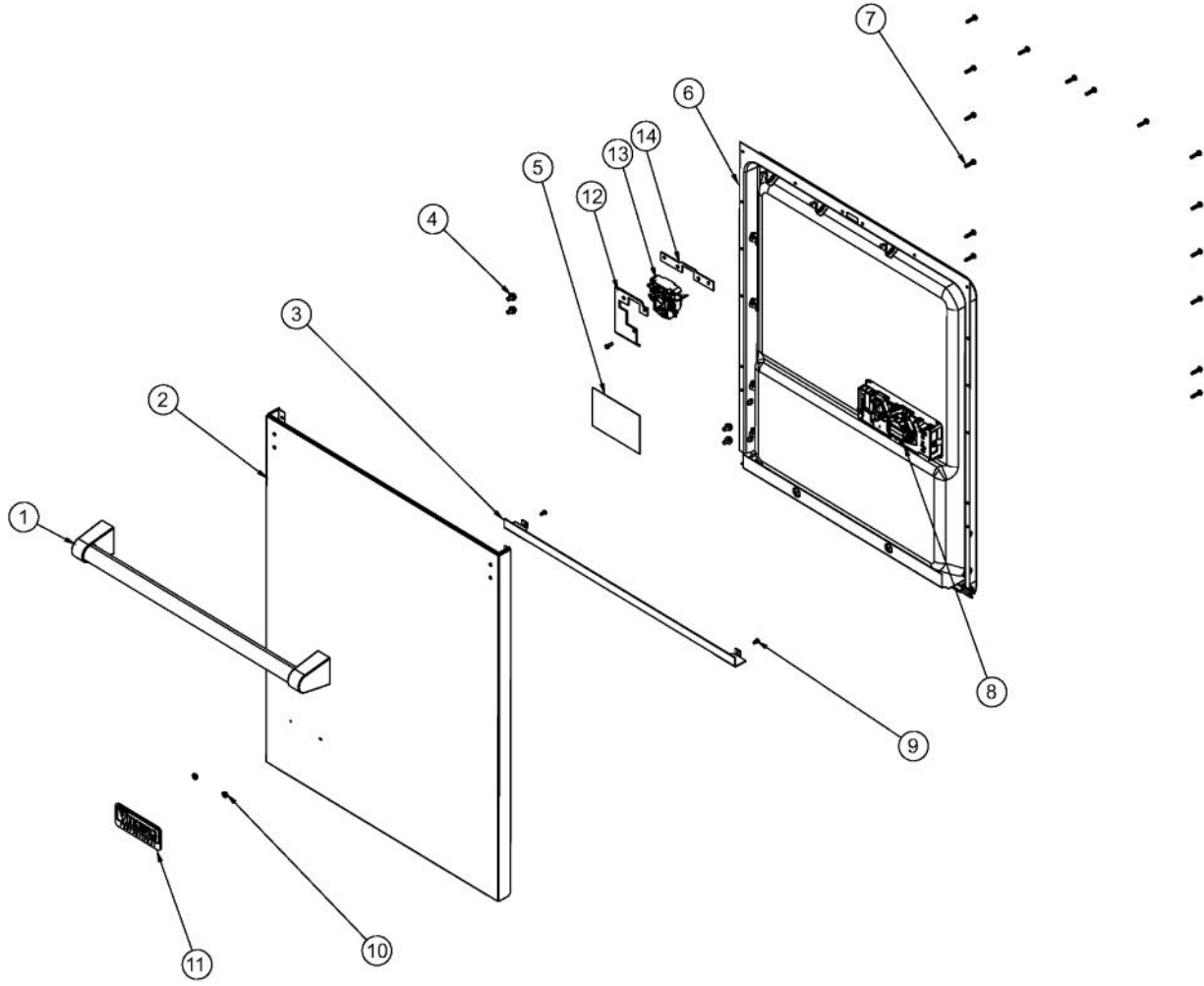
Ref #	Part Number	Qty.	Description
1	G2188879	1	MIDDLE SPRAY ARM, ASSEMBLY
2	016721-933	1	EMERSON SINGLE SPEED MOTOR & PUMP ASSY
3	004062-000	1	REAR PORT ASSEMBLY
4	F2088867	1	CONDUIT, LOWER
5	016721-000	1	EMERSON SINGLE SPEED MOTOR & PUMP ASSY
6	PD030165	2	CLAMP, WIRE, HOSE
7	000370-000	1	MOUNT, MOTOR
8	PB020264	1	HOSE, PUMP TO PERIMETER SPRAYER
9	021036-000	1	HOSE, HEATER TO PUMP
10	PD030163	4	CLAMP, WIRE HOSE
11	016403-000	1	HEATER, FLOW THRU, 1200 WATT
12	PB020263	1	HOSE, PUMP TO DIVERTER VALVE
13	021034-000	1	HOSE, SUMP TO HEATER
14	002283-000	2	CLAMP, DOUBLE WIRE, HOSE
15	PD020262	3	SCREW, 8-14X3/8 TORX, PAN HEAD, PLASTITE, 304 SS
16	PA810147	1	DIVERTER VALVE
NI	040626-000	1	DIVERTER VALVE KIT
17	PB870194	2	O-RING, DIVERTER VALVE
18	000380-000	1	SUPPORT, MOTOR
19	PM810359	1	VENTURI PLATE
20	020738-000	1	CAPACITOR, MICROFORAD-17UF/250VAC
21	PD020245	1	SCREW, NO.6-19 X 3/4 TORX, PAN HEAD, PLASTITE, 304SS
22	PK830260	1	LOWER SPRAY ARM VENTURI SPINDLE
23	019395-000	1	SPRAY ARM ASSEMBLY, LOWER
24	PK830375	1	MIDDLE SPRAY ARM LOCK NUT, 1/4 TURN
NI	034288-000	1	AIR & WATER INLET ASSY-301/451



Ref #	Part Number	Qty.	Description
1	PB820205	1	HOSE, DRAIN
2	PB880032	1	TRAP, GLASS
3	G5088865	1	FINE FILTER ASSEMBLY
4	035205-000	1	FILTER, PRIMARY ASSY-301/451
5	PD030164	1	CLAMP, DOUBLE WIRE, HOSE, .126
6	009039-000	1	SCREW, NO.10 X 3/8 PHIL PAN HD PLASTITE 18-8 PASSIVAT...
7	PB870196	1	SUB TO 020784-000 - O-RING, LEVEL SENSOR
8	034300-000	1	SENSOR, TEMP ASSY (THERMISTOR)
9	034273-000	1	FILTER LOCKING PLATE
10	PB870195	1	O-RING, DRAIN PUMP
11	006521-000	1	PUMP, DRAIN ASM
12	015785-000	1	TUBE, PRESSURE SENSOR (NOT USED ON THIS MODEL)
13	006985-000	1	BRACKET, PRESSURE SENSOR (NOT USED ON THIS MODEL)
14	PD160016	1	PRESSURE SENSOR (8073839) (NOT USED ON THIS MODEL)
15	PK830239	1	DRAIN FILTER
16	PD020245	1	SCREW, NO.6-19 X 3/4 TORX, PAN HEAD, PLASTITE, 304SS
17	PB820205	1	HOSE, DRAIN



Ref #	Part Number	Qty.	Description
1	033411-000	2	NO.6 X 0.75 PLASTITE SCREW W/NO.8 TORX TRUSS HD
2	035110-000	1	CONSOLE & OVERLAY ASSY-301
3	031422-000	1	USER INTERFACE, PROGRAMMED-201/301
4	031187-000	4	FASTENER, UBS, UI
5	PD020197	6	SCREW, HI-LOW, PAN, TORX, ZINC, 4-20 X 0.25
6	032814-000	1	BRACE, HANDLE, DOOR
7	029931-000	1	SWITCH, START, ASM
8	030795-000	1	BUTTON, COVER
9	030796-000	1	RING, BEZEL



Ref #	Part Number	Qty.	Description
1	034824-000	1	HANDLE, PANEL, ASM
2	027458-000	1	DISH DOOR PANEL, SS
2	035058-002	1	SKIN, DOOR, PRO, BLACK
2	035058-006	1	SKIN, DOOR, PRO, WHITE
3	031062-000	1	BRACKET, DOOR, SPREADER
4	PD010019	4	BLT-1/4-20X3/8HEX WASHER SERATED
5	031065-000	1	LABEL, USA LOCAL LARGE
6	035152-000	1	DOOR, 301 ASSY
7	033411-000	14	NO.6 X 0.75 PLASTITE SCREW W/NO.8 TORX TRUSS HD
8	029376-000	1	SLIDE SOAP DISPENSER
9	PD020249	2	SCREW, NO.8-18 X 3/8, TYPE B, TORX, PAN HEAD, ZINC, BL...
10	PD030006	2	CAPPED WASHER PAL NUT
11	PE010016	1	NAMEPLATE, LOGO, PRO
11	PE010017	1	LOGO (VGSO,VEDO,VGDO,VUD) XWH/CHR
12	000870-000	1	LATCH, BRACKET
13	013380-000	1	DOOR LATCH
14	019464-000	1	SPACER, DOOR LATCH

*No Image
Available*

Ref #	Part Number	Qty.	Description
NI	001796-000	3	RETAINER, HARNESS
NI	032632-000	1	HARNESS, HV BASE ASSY
NI	013377-000	1	HARNESS, LOW VOLTAGE BASE
NI	PK030170	5	RETAINER, HARNESS
NI	031532-000	1	HARNESS, DOOR?
NI	023569-000	1	HARNESS, LV BASE