

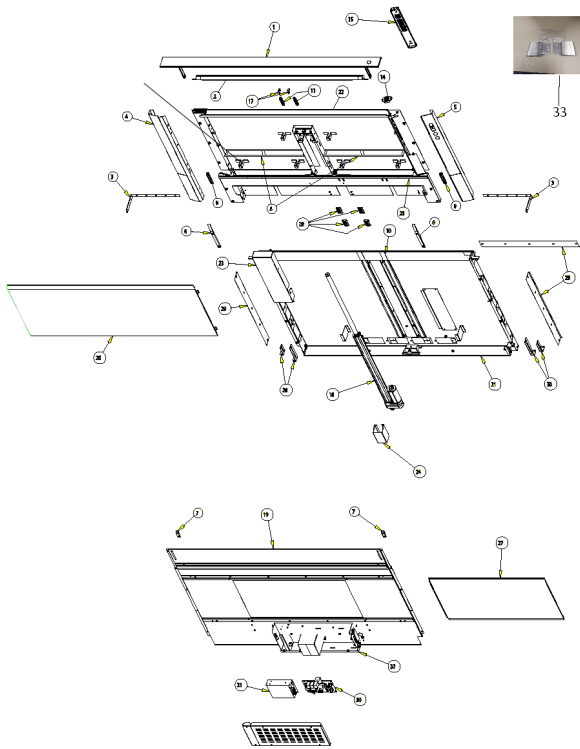
VDD5450 Downdraft

Parts Breakdown

VDD5450 Downdraft	1
Appendix A:Pages Index	A
Appendix B:Parts Index	B



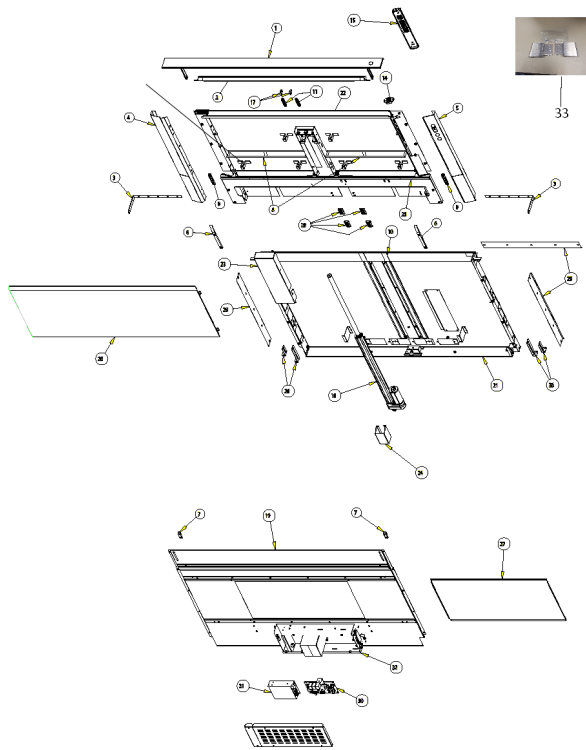
VDD5450 Downdraft



VIKING DOWNDRAFT SERVICE PARTS



Item	Part No.	Name	Qty	Uom	NOTES
1	053461-000	Top Cover	1	EA	
NI	041991-000	NAMEPLATE, VIKING, 2.750	1	EA	
2	053465-000	LED Light Bar	1	EA	Not available online / Call for pricing and availability
3	053467-000	Angle Brackets	2	EA	
4	053468-000	LH End Cap	1	EA	
5	053469-000	RH End Cap	1	EA	
6	053470-000	Chimney Plastic Slides	2	EA	
7	053471-000	Airbox Plastic Ramps	2	EA	
8	053474-000	Filters	2	EA	Not available online / Call for pricing and availability
9	053476-000	Spacers	2	EA	
10	053477-000	Slide Strips	2	EA	Not available online / Call for pricing and availability
11	053478-000	Springs	2	EA	Not available online / Call for pricing and availability
NI	053479-000	Wire Harness - Airbox	1	EA	
NI	053480-000	Wire Harness -Up/Down Button	1	EA	
14	053481-000	Up/Down Button	1	EA	
15	053482-000	User Interface	1	EA	
16	053483-000	Linear Actuator	1	EA	
17	053484-000	Limit Switch Assy. (NOT FIELD SERVICEABLE)	2	EA	
NI	053485-000	Heat Sentry Assy.		EA	Not available online / Call for pricing and availability
19	053488-000	Airbox Front	1	EA	Not available online / Call for pricing and availability
20	053492-000	Chimney Grille Assy.	1	EA	Not available online / Call for pricing and availability



VIKING DOWNDRAFT SERVICE PARTS



Item	Part No.	Name	Qty	Uom	NOTES
21	053496-000	Airbox Assy.	1	EA	Not available online / Call for pricing and availability
22	053500-000	Chimney Assy.	1	EA	NOT A SERVICEABLE PART, Not available online / Call for pricing and availability
23	053502-000	Lift Guide Cover	1	EA	
24	053503-000	Actuator Support Bracket	1	EA	
25	053506-000	Foam Seal	1	EA	Not available online / Call for pricing and availability
26	053508-000	Airbox Adjustment Legs	4	EA	
27	053509-000	Airbox Hole Cover	1	EA	Not available online / Call for pricing and availability
28	053510-000	Lift Guide Pucks (includes tool)	4	EA	
29	053511-000	Vent Covers	3	EA	
30	053512-000	Main PCB	1	EA	
31	053513-000	Power Supply	1	EA	
32	053514-000	Electrical Box Assy.	1	EA	
NI	053515-000	Hardware Bag	1	EA	
NI	056071-000	EMI Filter	1	EA	
33	057302-000	SRV TRIM ENDCAPS AND HARDWARE	1	EA	
NI	073346-000	EXTENSION CABLE 5FT	1	EA	
Not Shown	NOTE	(OPTIONAL CABLE)		EA	
34	057303-000	SRV FILTER BRACKETS W/O MAGNETS	2	EA	
Not Shown	057304-000	SRV FILTER BRACKETS W/ MAGNETS	2	EA	Not available online / Call for pricing and availability



Appendix A:Pages Index

VDD5450 Downdraft 1



Appendix B:Parts Index

041991-000	1
053461-000	1
053465-000	1
053467-000	1
053468-000	1
053469-000	1
053470-000	1
053471-000	1
053474-000	1
053476-000	1
053477-000	1
053478-000	1
053479-000	1
053480-000	1
053481-000	1
053482-000	1
053483-000	1
053484-000	1
053485-000	1
053488-000	1
053492-000	1
053496-000	1
053500-000	1
053502-000	1
053503-000	1
053506-000	1
053508-000	1
053509-000	1
053510-000	1
053511-000	1
053512-000	1
053513-000	1
053514-000	1
053515-000	1
056071-000	1
057302-000	1
057303-000	1
057304-000	1
073346-000	1