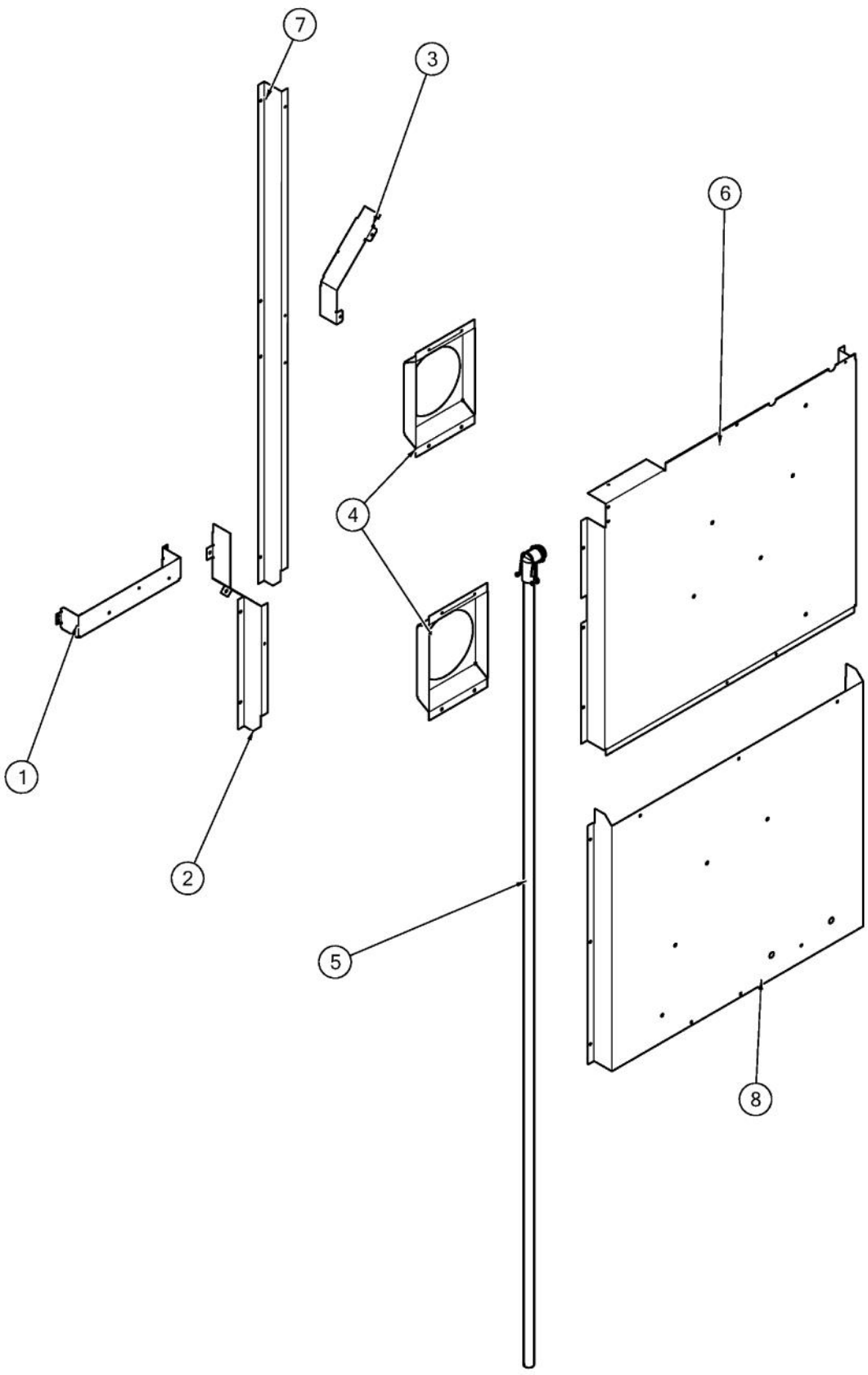
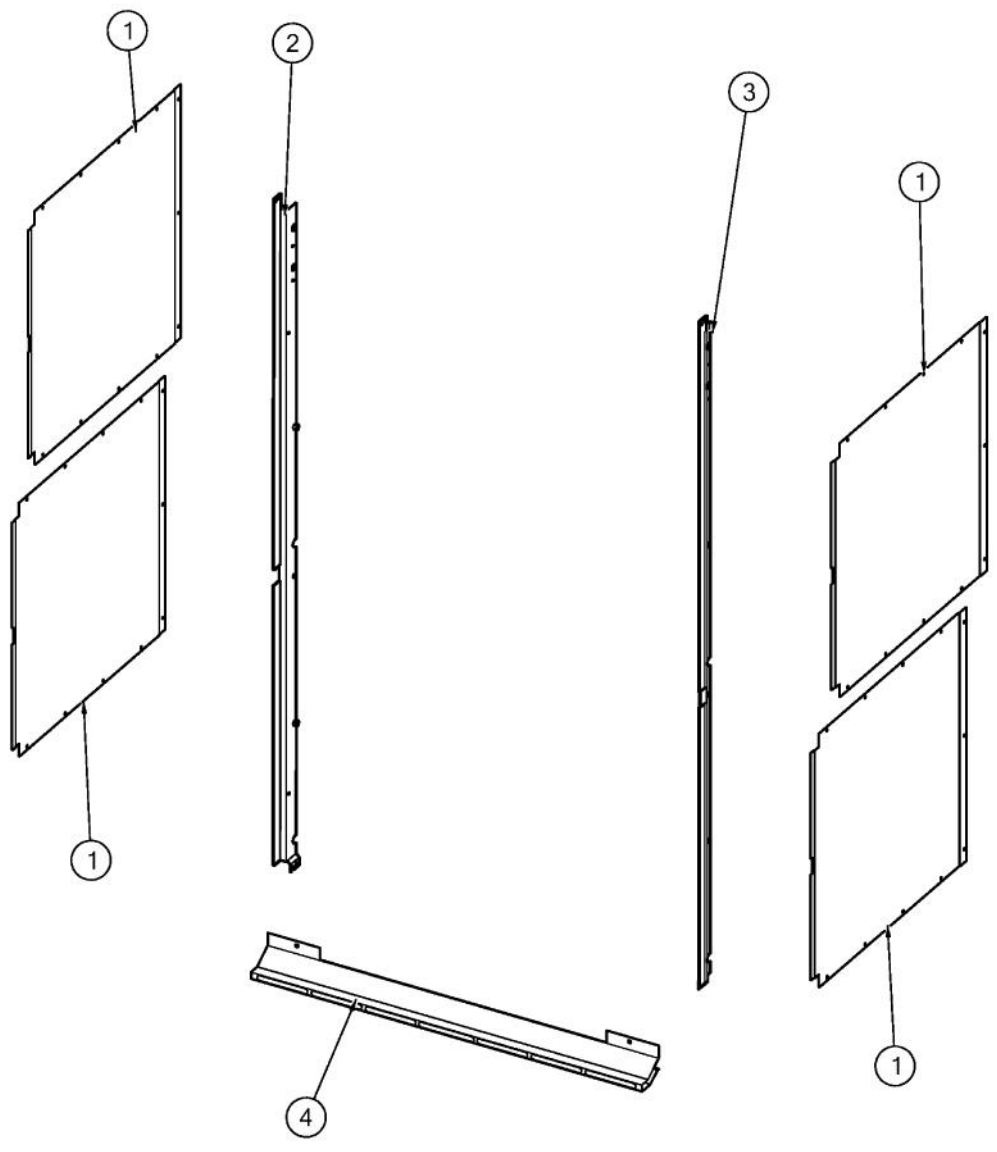


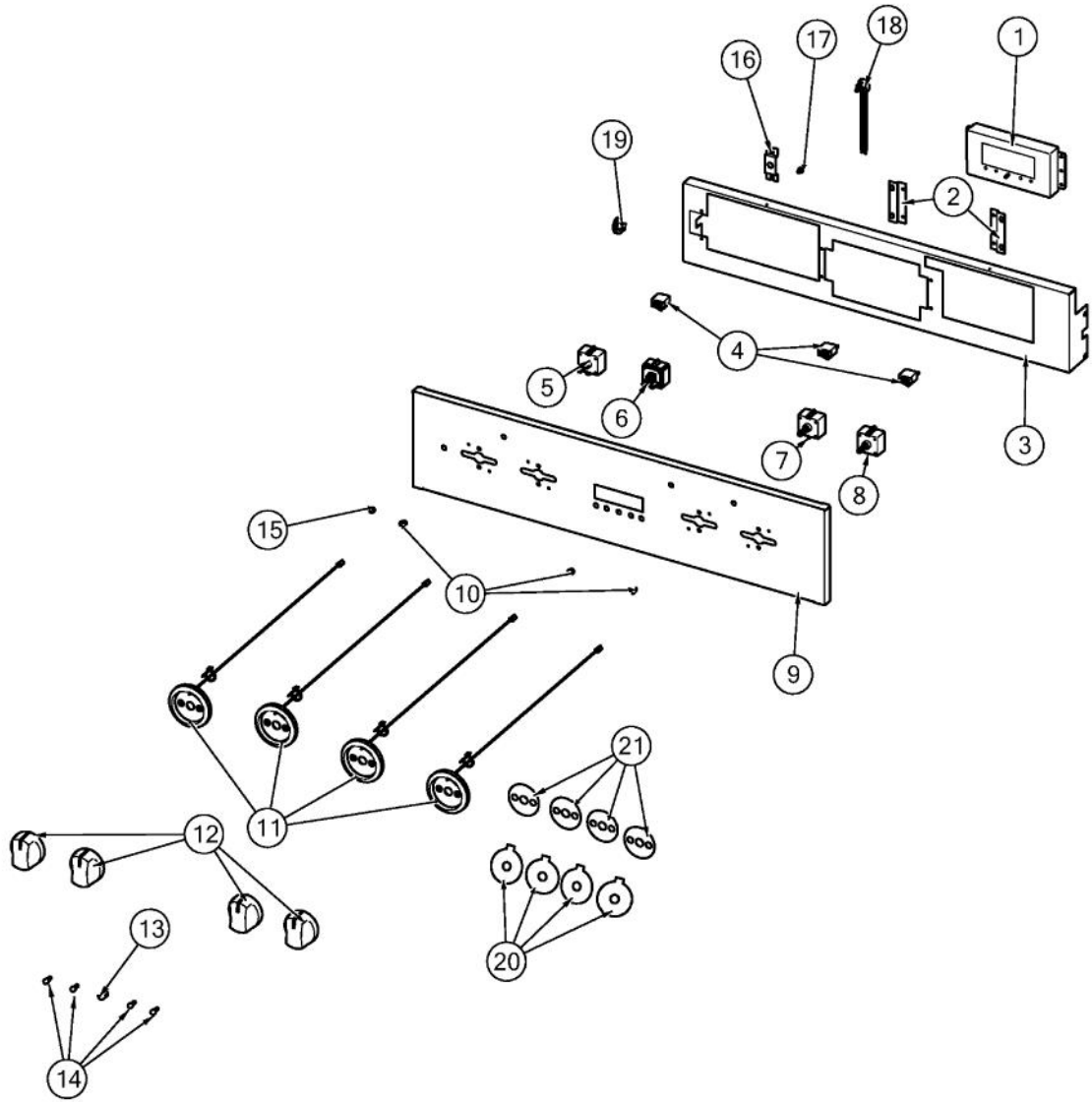
Ref #	Part Number	Qty.	Description
1	A20014049	1	30 REAR COVER
2	025057-000	1	PANEL,CVR, TOP, FR, 30
3	018607-000	1	FAN,BLO, 220-240V 50/60HZ ASSY
4	PE070147	1	TERMINAL BLOCK
5	046142-000	1	CONTROL, EOC4, LED, HDR, FD SW
6	015201-000	1	LINEAR POWER SUPPLY
7	PE050208	1	DOOR SWITCH
8	A20012649	1	DOOR SWITCH BRACKET
9	046397-000	1	TOP, WO, 30
10	A2009641	1	BRKT, TOP WRAPPER
11	A2009641	1	BRKT, TOP WRAPPER
12	045553-000	1	CLOSER, FD
13	PB070079	1	SILICONE EXTRUSION (DGSU)
14	046401-000	1	PANEL, MTG, CONTROLS, EOC4
15	A10014027	1	4 CAPACITOR BRACKET
16	036047-000	4	CAPACITOR, CONV MOTOR, INTL
17	046142-000	1	CONTROL, EOC4, LED, HDR, FD SW
18	PB070079	1	SILICONE EXTRUSION (DGSU)
19	N/P	1	CABINET (NOT FIELD REPLACEABLE)
20	PB070079	1	SILICONE EXTRUSION (DGSU)
21	046143-000	1	PCBA, DRIVER, LED, EOC4



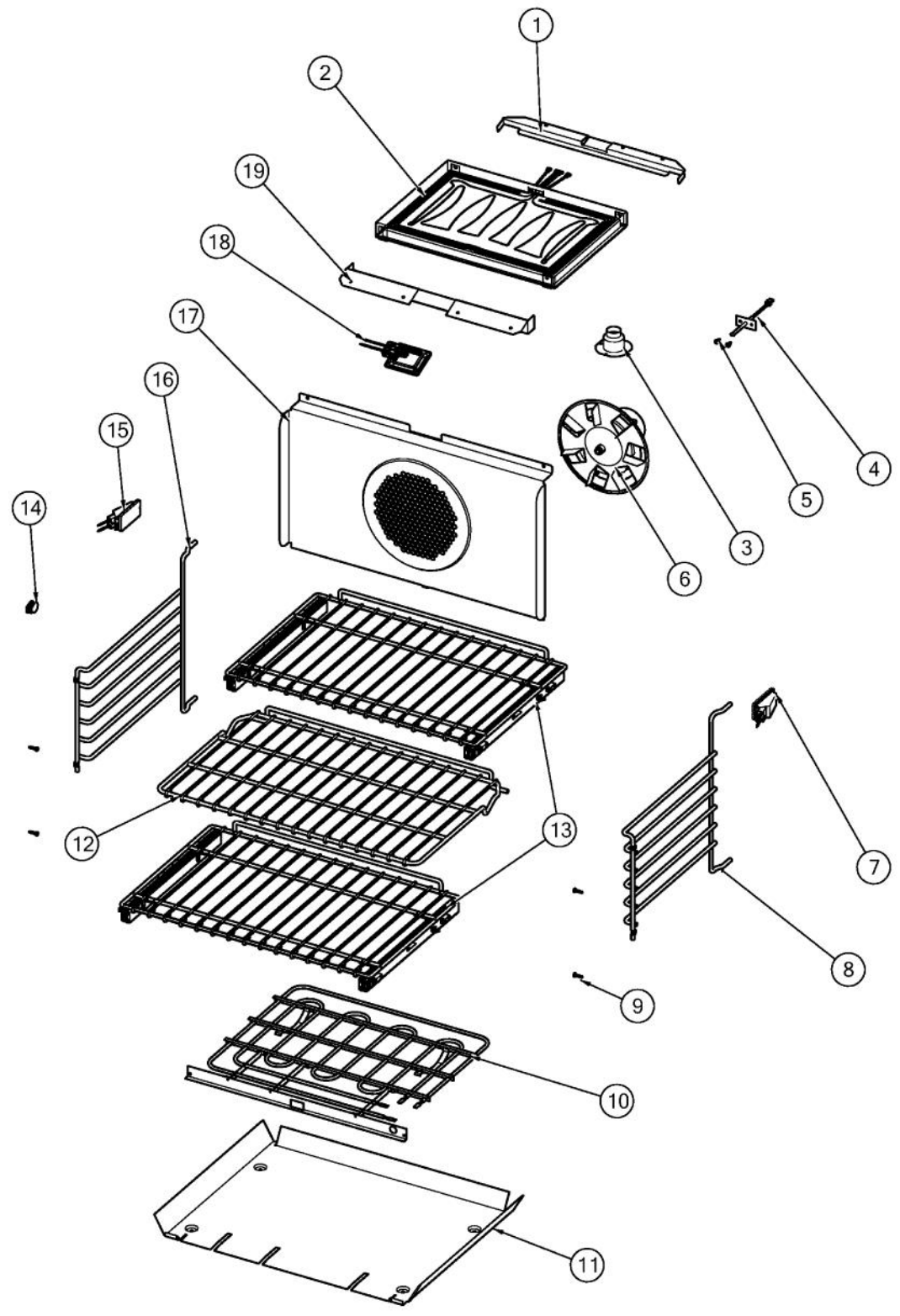
Ref #	Part Number	Qty.	Description
1	A3009660	1	BRACKET, BLOWER, DBL LOWER OVEN
2	A2009699	1	REAR AIR DIVIDER, DBL, LOWER OVEN
3	A21010919	1	BRACKET, AIR, CONVECTION MOTOR
4	A2009697	2	BRACKET, CONVECTION INSULATION
5	040197-000	1	CONDUIT, ELECTRICAL CORD, 70
6	046033-000	1	COVER, BACK, DOUBLE, TOP
7	A2009684	1	REAR AIR DIVIDER, DOUBLE OVEN
8	046034-000	1	COVER, BACK, DOUBLE, BOTTOM



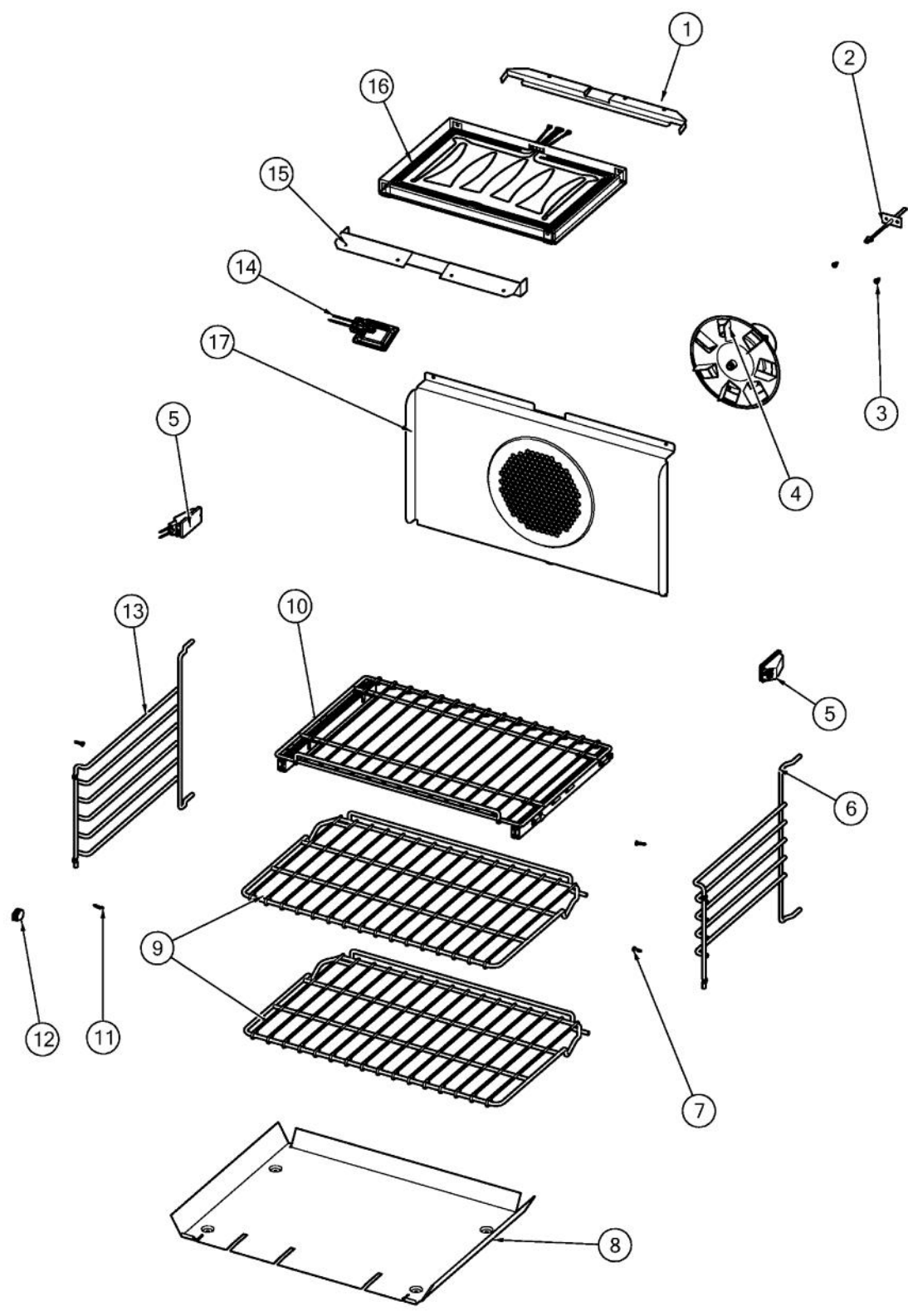
Ref #	Part Number	Qty.	Description
1	014137-000	4	WRAPPER, OVEN SIDE
2	024257-000	1	TRIM,EXTD,LH, DBL
3	024256-000	1	TRIM,EXTD,RH, DBL
4	025063-002	1	DEFLECTOR, VENT, LOWER, 30, (BK)



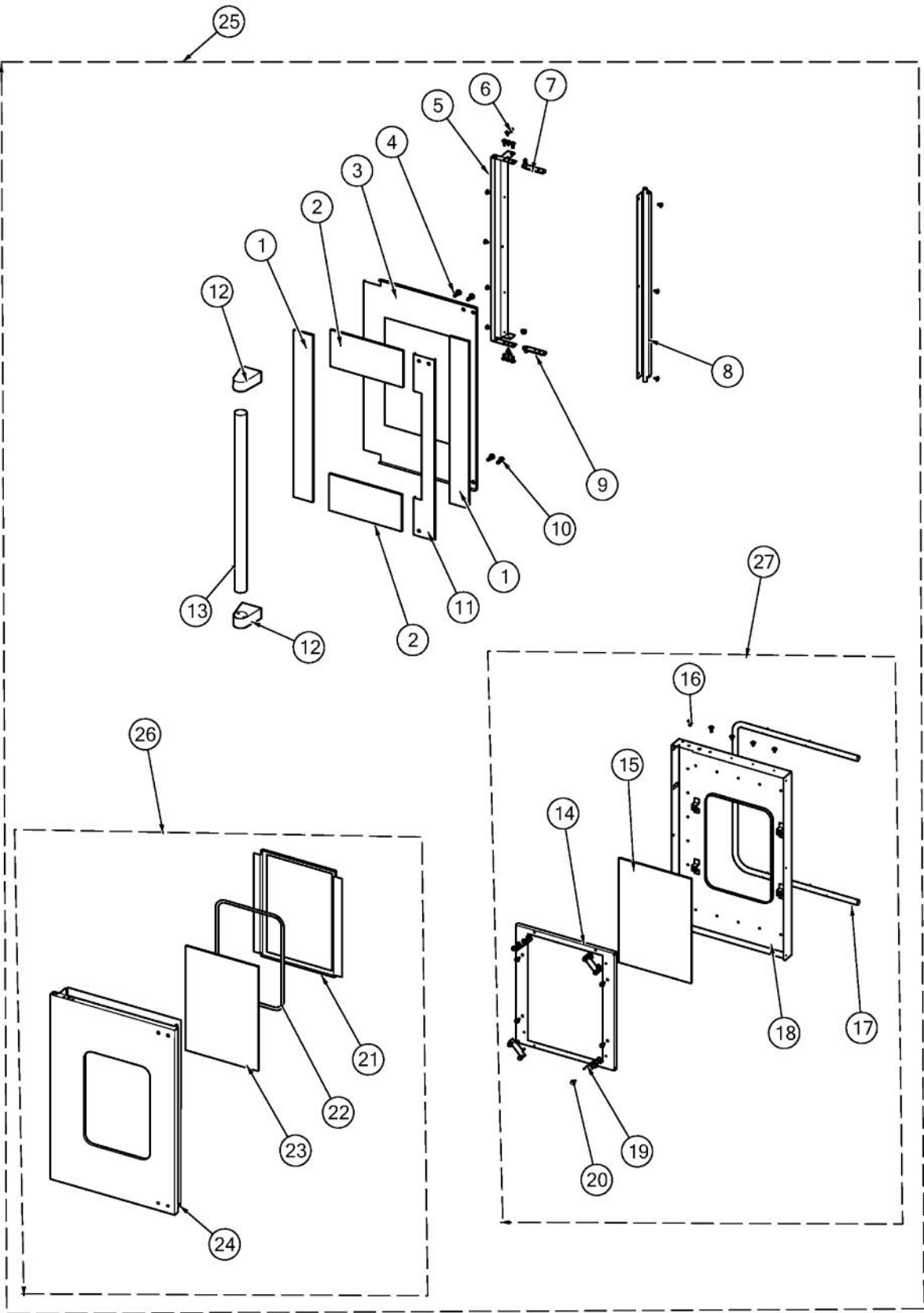
Ref #	Part Number	Qty.	Description
1	042804-000	1	TIMER, CLCK, VIKING, BLUE
2	025058-000	2	BRACKET, CLOCK
3	046296-000	1	PNL, CTRL, BACK, FD
4	043135-000	3	HOUSING, LIGHT, LED, BLUE 3.3V
5	PJ030033	1	SELECTOR (10 POS)
6	PJ030048	1	THERMOSTAT - 2 POSITION
7	PJ030033	1	SELECTOR (10 POS)
8	PJ030035	1	THERMOSTAT
9	046290-2608	1	PANEL, CTRL, VDOF730 W/GRAPHICS
10	027968-000	3	INDICATOR, LIGHT, BLUE
11	047783-000	4	LED RING
12	036330-000	4	KNOB,WO PRO CR3
13	036423-000	1	KNOB BIT GEN CR3
14	PB010315	4	DES. CLOCK BUTTON
15	PA010093	1	DESIGNER OVEN LT SWITCH KNOB
16	024810-000	1	BRACKET, LIGHT SW
17	PD020269	1	NO.8 PAN HEAD SCREW
18	G40015469	1	LIGHT SWITCH ASSEMBLY
19	036576-000	1	SWITCH ASSY
20	047785-000	1	RING, REFLECTOR, CHROME PET
21	047786-000	1	RING, DIFFUSER, VALOX



Ref #	Part Number	Qty.	Description
1	024221-000	1	BRACKET, BROLIER, REAR
2	024040-000	1	ELEMENT, RIBBON (USE PART NO. 013930-000 IF OUT OF 0...
3	PM010014	1	SMOKE ELIMINATOR (VDSC)
4	PE050206	1	RTD THERMOSTAT PROBE
5	PD020055	2	NO.10 X 1/2 PAN PHIL. TEK. SS
6	G32014020	1	CONVECTION FAN ASSY
7	005311-000	1	120V/25W HALOGEN LIGHT
8	036216-402	1	RACK,PRO,ASM,RH, BLACK
9	PD020232	4	NO.8 X 3/4 PH PAN HEAD TEK SCREW (BLACK OXIDE)
10	PJ010048	1	BAKE ELEMENT
11	A2009612	1	ELEMENT, MTG TRAY
12	041046-000	1	RACK, DF, PRO, 30
13	024102-000	2	PULL OUT RACK, 30 TRUE GLIDE
14	PM010160	1	MEAT PROBE JACK COVER
15	005311-000	1	120V/25W HALOGEN LIGHT
16	036220-402	1	RACK,PRO,ASM,LH, BLACK
17	032857-000	1	BAFFLE,CONV,ASM,D3,BLACK?
18	020403-000	1	BJB SLIMLINE 40W BULB
19	024234-000	1	BRACKET, BROLIER, FRONT

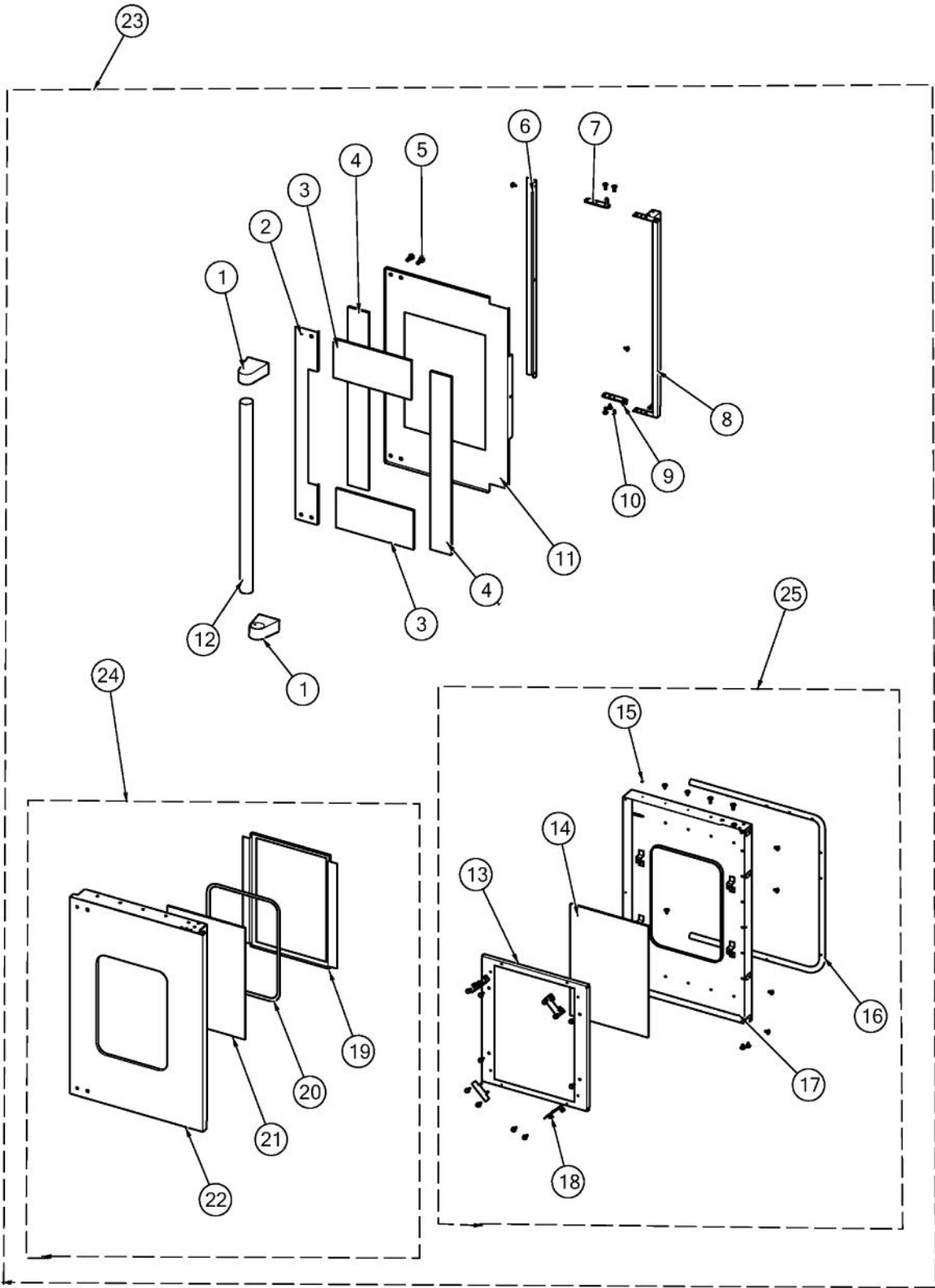


Ref #	Part Number	Qty.	Description
1	024221-000	1	BRACKET, BROLIER, REAR
2	PE050206	1	RTD THERMOSTAT PROBE
3	PD020055		NO.10 X 1/2 PAN PHIL. TEK. SS
4	G32014020	1	CONVECTION FAN ASSY
5	005311-000	2	120V/25W HALOGEN LIGHT
6	036216-402	1	RACK,PRO,ASM,RH, BLACK
7	PD020232		NO.8 X 3/4 PH PAN HEAD TEK SCREW (BLACK OXIDE)
8	A2009612	1	ELEMENT, MTG TRAY
9	041046-000	2	RACK, DF, PRO, 30
10	024102-000	1	PULL OUT RACK, 30 TRUE GLIDE
11	PD020232	1	NO.8 X 3/4 PH PAN HEAD TEK SCREW (BLACK OXIDE)
12	PM010160	1	MEAT PROBE JACK COVER
13	036220-402	1	RACK,PRO,ASM,LH, BLACK
14	020403-000	1	BJB SLIMLINE 40W BULB
15	024234-000	1	BRACKET, BROLIER, FRONT
16	PJ010048	1	BAKE ELEMENT
17	032857-000	1	BAFFLE,CONV,ASM,D3,BLACK?

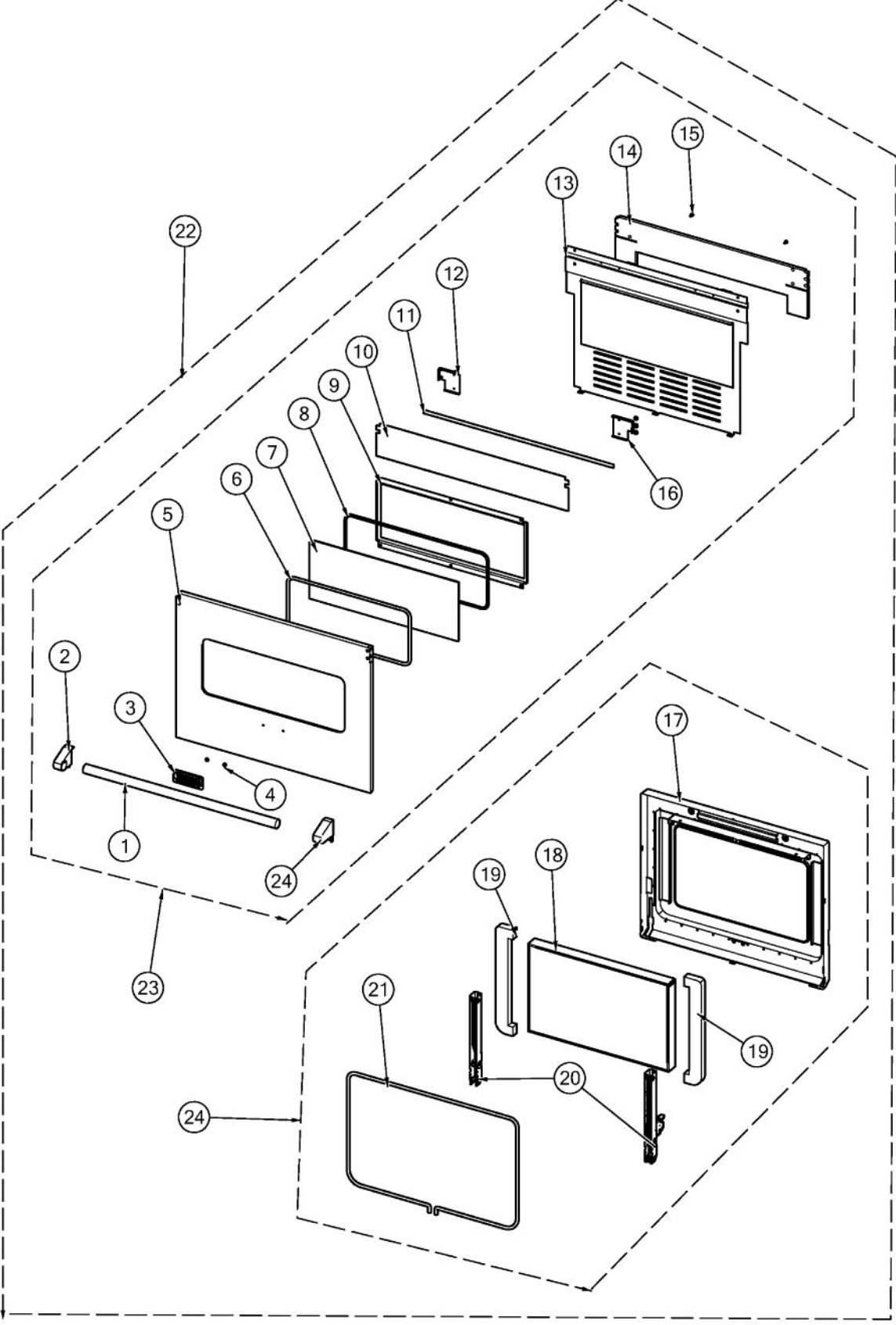


Ref #	Part Number	Qty.	Description
1	046164-000	2	INSULATION, SKIN, SIDE
2	046178-000	2	INSULATION, SKIN
3	047750-000	1	RETAINER, INSL, FD
4	PD020069		CAP SCREW 1/4-20 X 3/4 SS
5	044640-000	1	SUPPORT HINGE PIN
6	PD020032		SRW-8(A)X3/8PH.WFR HD 7/16DIAXNICL
7	046930-000	1	PLATE, PVT
8	046015-000	1	GASKET, MULLION
9	045412-000	1	PLATE, PVT
10	PD020069		CAP SCREW 1/4-20 X 3/4 SS
11	045427-000	1	BACKPLATE, HDL
12	026965-000	2	END CAP, ASM, DOOR HANDLE
13	045441-000	1	HANDLE, TUBE
14	044071-000	1	LINER, MTG, GLASS, 18
15	045901-000	1	GLASS, INNER
16	PD020078		NO.10-24 X 1/2 PH.TR. M.S.XSSX NYLOK
17	045436-000	1	GASKET, LINER, FD
18	045801-402	1	DOOR INNER PORC ASSY
19	043324-000	4	BRACKET, MTG, GLASS
20	003860-000		NO.10-18 X .500 FASTNR,SCR,HXWH,STL,ZPLT
21	008336-000	1	FRAME, GL
22	PE060046	1	J-MOLD LH SS (DF48 DOOR)
23	PE060049	1	GLASS LH XTEX DF48DOOR
24	047751-000	1	SKIN, DOOR SS
24	047754-024	1	SKIN, DOOR AR
24	047754-002	1	SKIN, DOOR BK
24	047754-008	1	SKIN, DOOR BU
24	047754-013	1	SKIN, DOOR CB
24	047754-051	1	SKIN, DOOR CN
24	047754-052	1	SKIN, DOOR DJ
24	047754-005	1	SKIN, DOOR GG
24	047754-022	1	SKIN, DOOR SG
24	047754-012	1	SKIN, DOOR VB
24	047754-006	1	SKIN, DOOR WH
24	047754-054	1	SKIN, DOOR WS
25	045808-000	1	DOOR COMPLETE ASSY LH SS
25	047006-024	1	DOOR COMPLETE ASSY LH AR
25	047006-002	1	DOOR COMPLETE ASSY LH BK
25	047006-008	1	DOOR COMPLETE ASSY LH BU
25	047006-013	1	DOOR COMPLETE ASSY LH CB
25	047006-051	1	DOOR COMPLETE ASSY LH CN
25	047006-052	1	DOOR COMPLETE ASSY LH DJ
25	047006-005	1	DOOR COMPLETE ASSY LH GG
25	047006-022	1	DOOR COMPLETE ASSY LH SG
25	047006-012	1	DOOR COMPLETE ASSY LH VB
25	047006-006	1	DOOR COMPLETE ASSY WH
25	047006-054	1	DOOR COMPLETE ASSY WS
26	045443-000	1	SKIN, GLASS, ASSY SS
26	047808-024	1	SKIN, GLASS, ASSY AR
26	047808-002	1	SKIN, GLASS, ASSY BK
26	047808-008	1	SKIN, GLASS, ASSY BU
26	047808-013	1	SKIN, GLASS, ASSY CB
26	047808-051	1	SKIN, GLASS, ASSY CN
26	047808-052	1	SKIN, GLASS, ASSY DJ
26	047808-005	1	SKIN, GLASS, ASSY GG
26	047808-022	1	SKIN, GLASS, ASSY SG
26	047808-012	1	SKIN, GLASS, ASSY VB
26	047808-006	1	SKIN, GLASS, ASSY WH
26	047808-054	1	SKIN, GLASS, ASSY WS
27	045803-000	1	DOOR INNER ASSY LH

Ref #	Part Number	Qty.	Description
27	045803-000	1	DOOR INNER ASSY LH

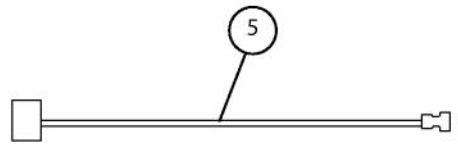
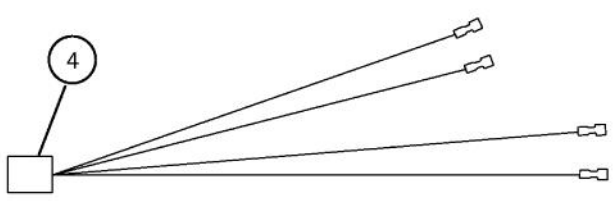
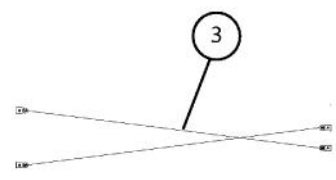
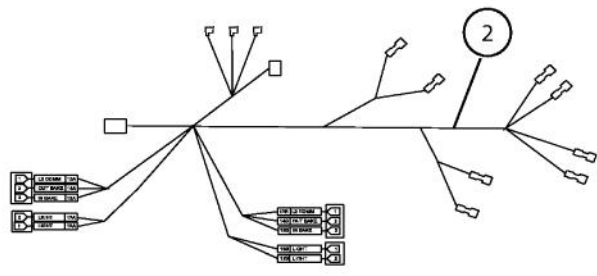
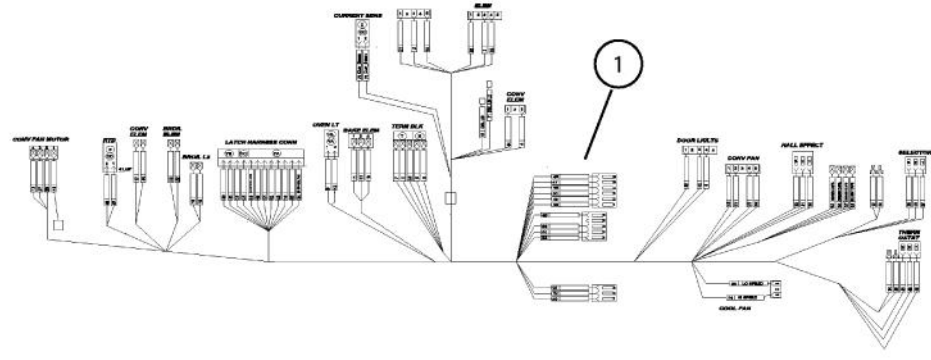


Ref #	Part Number	Qty.	Description
1	026965-000	2	END CAP, ASM, DOOR HANDLE
2	045427-000	1	BACKPLATE, HDL
3	046178-000	2	INSULATION, SKIN
4	046164-000	2	INSULATION, SKIN, SIDE
5	PD020069		CAP SCREW 1/4-20 X 3/4 SS
6	046852-000	1	MULLION, RH
7	046930-000	1	PLATE, PVT
8	047846-000	1	SUPPORT HINGE PIN- RH
9	045412-000	1	PLATE, PVT
10	PD020078		NO.10-24 X 1/2 PH.TR. M.S.XSSX NYLOK
11	047750-000	1	RETAINER, INSL, FD
12	045441-000	1	HANDLE, TUBE
13	044071-000	1	LINER, MTG, GLASS, 18
14	045901-000	1	GLASS ,INNER
15	PD020032		SRW-8(A)X3/8PH.WFR HD 7/16DIAXNICL
16	045436-000	1	GASKET, LINER, FD
17	045432-402	1	DOOR INNER PORC ASSY
18	043324-000	4	BRACKET, MTG, GLASS
19	008336-000	1	FRAME, GL
20	PE060046	1	J-MOLD LH SS (DF48 DOOR)
21	PE060049	1	GLASS LH XTEX DF48DOOR
22	047725-000	1	SKIN, DOOR SS
22	047726-024	1	SKIN, DOOR AR
22	047726-002	1	SKIN, DOOR BK
22	047726-008	1	SKIN, DOOR BU
22	047726-013	1	SKIN, DOOR CB
22	047726-051	1	SKIN, DOOR CN
22	047726-052	1	SKIN, DOOR DJ
22	047726-005	1	SKIN, DOOR GG
22	047726-022	1	SKIN, DOOR SG
22	047726-012	1	SKIN, DOOR VB
22	047726-006	1	SKIN, DOOR WH
22	047726-054	1	SKIN, DOOR WS
23	045444-000	1	DOOR COMPLETE ASSY RH SS
23	046998-024	1	DOOR COMPLETE ASSY RH AR
23	046998-002	1	DOOR COMPLETE ASSY RH BK
23	046998-008	1	DOOR COMPLETE ASSY RH BU
23	046998-013	1	DOOR COMPLETE ASSY RH CB
23	046998-051	1	DOOR COMPLETE ASSY RH CN
23	046998-052	1	DOOR COMPLETE ASSY RH DJ
23	046998-005	1	DOOR COMPLETE ASSY RH GG
23	046998-022	1	DOOR COMPLETE ASSY RH SG
23	046998-012	1	DOOR COMPLETE ASSY RH VB
23	046998-006	1	DOOR COMPLETE ASSY RH WH
23	046998-054	1	DOOR COMPLETE ASSY RH WS
24	047795-000	1	SKIN, GLASS, ASSY SS
24	046996-024	1	SKIN, GLASS, ASSY AR
24	046996-002	1	SKIN, GLASS, ASSY BK
24	046996-008	1	SKIN, GLASS, ASSY BU
24	046996-013	1	SKIN, GLASS, ASSY CB
24	046996-051	1	SKIN, GLASS, ASSY CN
24	046996-052	1	SKIN, GLASS, ASSY DJ
24	046996-005	1	SKIN, GLASS, ASSY GG
24	046996-022	1	SKIN, GLASS, ASSY SG
24	046996-012	1	SKIN, GLASS, ASSY VB
24	046996-006	1	SKIN, GLASS, ASSY WH
24	046996-054	1	SKIN, GLASS, ASSY WS
25	045434-000	1	DOOR INNER ASSY RH



Ref #	Part Number	Qty.	Description
1	023998-000	1	HANDLE, DOOR, SST, 30
2	025186-000	1	ENDCAP, DOOR HDL, ASM, LH
3	PE010016	1	NAMEPLATE, LOGO, PRO
4	PD030006	2	CAPPED WASHER PAL NUT
5	046322-000	1	SKIN, DOOR, W/LOGO, 30
6	000594-000	1	BLACK FIBERGLASS ROPE 3/8
7	PE060090	1	30 PROF. OUTER DOOR GLASS
8	PE060105	1	30 J-MOLD (CHROME) NOT FIELD REPLACEABLE
9	L20014077	1	30 WINDOW HOLDER NOT FIELD REPLACEABLE
10	025264-000	1	PANEL,INSL,30, DOOR
11	N/P	1	CABINET (NOT FIELD REPLACEABLE)
12	031797-000	1	BRACKET, SPRT, RH
13	031109-002	1	RETAINER, INSULATION 30 BK
14	047708-000	1	INSULATION, DOOR SKIN, BACK
15	PD020004	2	10X3/8PH.HD.TYPE 25 REPL PD040125
16	031107-000	2	BRACKET, LH SUPPORT
17	G9109625BK	1	DOOR LINER PORC. - BLACK
18	PE060094	1	30 WINDOW PACK
19	013558-000	2	SIDE DOOR PLUG INSULATION
20	023799-000	2	HINGE, MANSFIELD, RED
21	PB070246	1	30 DOOR GASKET
22	046680-000	1	DOOR ASM, WO, 30 W/LOGO SS
22	047074-024	1	DOOR ASM, WO, 30 W/LOGO AR
22	047074-002	1	DOOR ASM, WO, 30 W/LOGO BK
22	047074-008	1	DOOR ASM, WO, 30 W/LOGO BU
22	047074-013	1	DOOR ASM, WO, 30 W/LOGO CB
22	047074-051	1	DOOR ASM, WO, 30 W/LOGO CN
22	047074-052	1	DOOR ASM, WO, 30 W/LOGO DJ
22	047074-005	1	DOOR ASM, WO, 30 W/LOGO GG
22	047074-022	1	DOOR ASM, WO, 30 W/LOGO SG
22	047074-012	1	DOOR ASM, WO, 30 W/LOGO VB
22	047074-006	1	DOOR ASM, WO, 30 W/LOGO WH
22	047074-054	1	DOOR ASM, WO, 30 W/LOGO WS
23	046681-000	1	SKIN ASM, WO 30 W/LOGO SS
23	047050-024	1	SKIN ASM, WO 30 W/LOGO AR
23	047050-002	1	SKIN ASM, WO 30 W/LOGO BK
23	047050-008	1	SKIN ASM, WO 30 W/LOGO BU
23	047050-013	1	SKIN ASM, WO 30 W/LOGO CB
23	047050-051	1	SKIN ASM, WO 30 W/LOGO CN
23	047050-052	1	SKIN ASM, WO 30 W/LOGO DJ
23	047050-005	1	SKIN ASM, WO 30 W/LOGO GG
23	047050-022	1	SKIN ASM, WO 30 W/LOGO SG
23	047050-012	1	SKIN ASM, WO 30 W/LOGO VB
23	047050-006	1	SKIN ASM, WO 30 W/LOGO WH
23	047050-054	1	SKIN ASM, WO 30 W/LOGO WS
24	G32014091BK	1	30 PRO. DOOR PLUG SUB ASSEMBLY?

Ref #	Part Number	Qty.	Description
1	005293-000	1	MODEL 6 HEADER
2	046149-000	1	MODEL HEADER 23
3	017047-000	1	TOD2 RIBBON CABLE
4	024440-000	2	RIBBON CABLE
5	023107-000	2	ADAPTER, LT, ASM, SINGLE TO TRIPLE
6	044802-000	1	MEAT PROBE HARNESS, UPPER
7	046146-000	2	HARNESS, EOC4, LED, DRIVER, SIGNAL
8	046147-000	1	HARNESS, DRIVER, POWER
9	047580-000	1	HARN, MAIN, VDOF



Ref #	Part Number	Qty.	Description
1	043082-000	1	HARN, LWR, BZVEDO530/27, EOC4
2	043111-000	1	HARN, LATCH, LWR, BZVEDO
3	PE070735	1	MEAT PROBE HARNESS
4	PE070739	1	BAKE ELEMENT HARNESS
5	PE070888	1	TOUCH CONTROL MEAT PROBE HARNESS