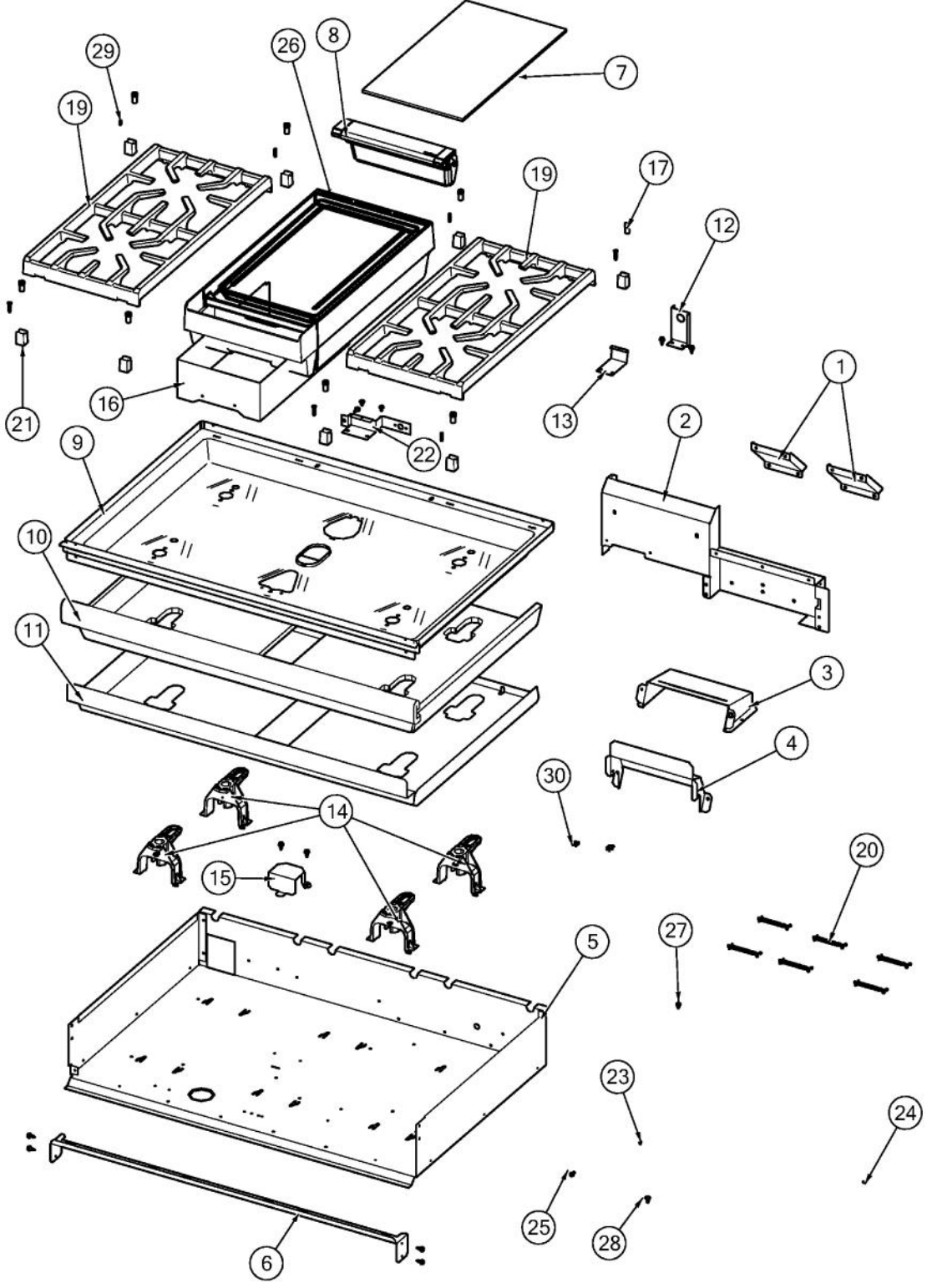
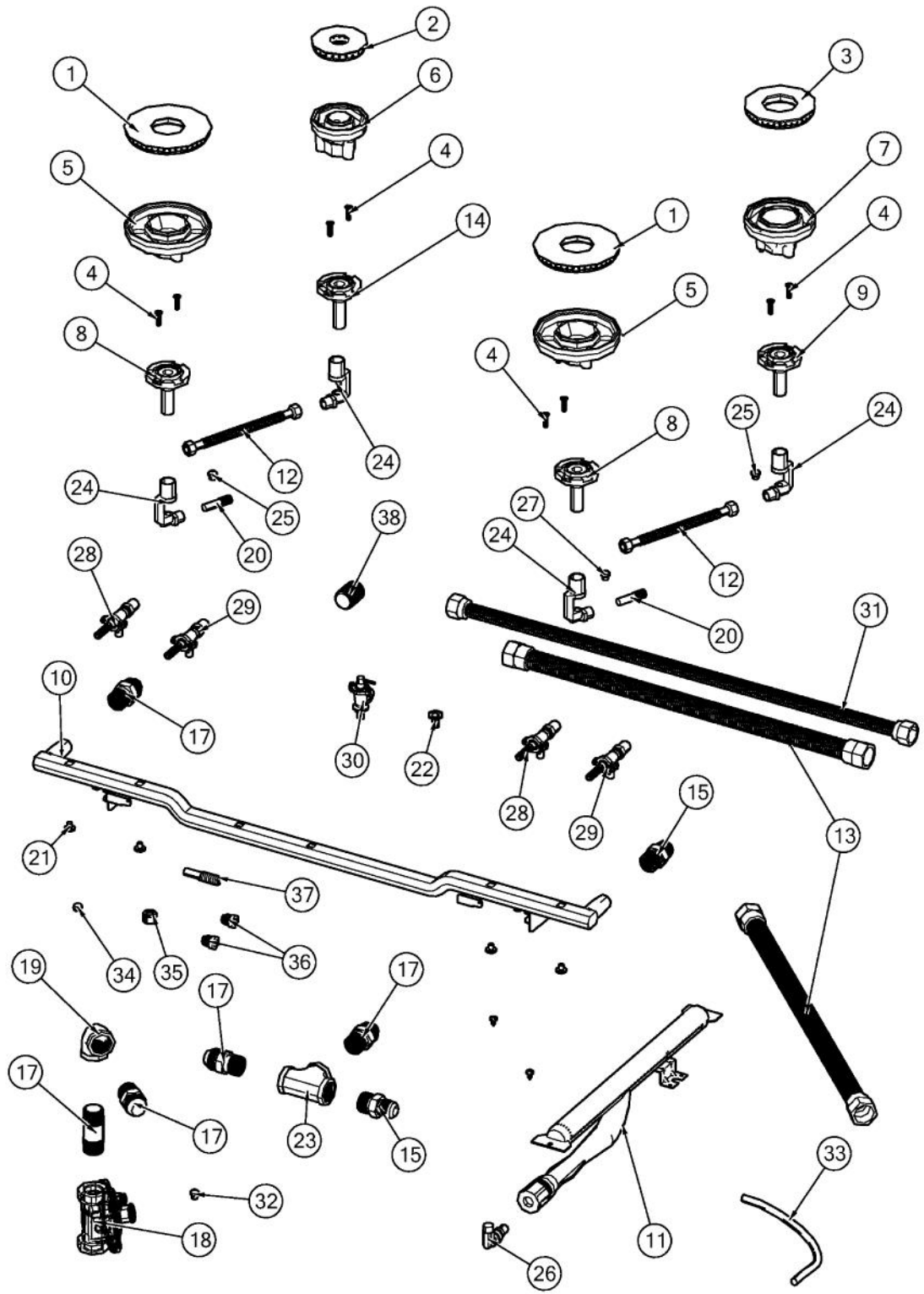


Ref #	Part Number	Qty.	Description
1	016842-000	2	INSULATION, BROIL, TOP, SIDE
2	013563-000	1	LINER FRONT INSULATION
3	016840-000	1	INSULATION, TOP
4	016843-000	1	INSULATION, CAVITY, BACK
5	048835-000	1	RANGE, BASE, BACK, SHORT, DF
6	043758-000	1	GASKET, LINER, DF, ASM 36
7	N/P	1	CABINET (NOT FIELD REPLACEABLE)
8	045786-000	1	RECEIVER, HINGE, SLOW-CLOSE, DAMPENED
9	045060-000	1	RECEIVER, HINGE, SLOW-CLOSE, UNDAMPENED
10	034927-000	1	BRACKET, ANTI-TIP
11	034928-000	1	BRACKET, HOOK, ANTI-TIP
12	016841-000	1	INSULATION, BROIL, TOP
13	048195-000	1	SHIM, SHIELD, RETAINER, RH HINGE
14	006177-402	1	BAFFLE,CNVN,ASM,VDSC 36 BK
15	048199-000	1	SHIM, SHIELD, RETAINER, LH HINGE
16	043763-000	2	BRKT, TOP, WRAPPER
17	013528-000	2	30 SIDE INSULATION
18	044825-000	1	SUPPORT, OVEN, BOT, R, INTL
19	044826-000	1	SUPPORT, OVEN, BOT, L, INTL
20	013564-000	1	LOWER LATCH INSULATION
21	004285-000	1	INSULATION, FOIL-BACKED,4X5
22	047826-000	1	BRKT, BASE, RETAINER, VALVE, SHUT OFF
23	PM010014	1	SMOKE ELIMINATOR (VDSC)
24	PB020275	1	VENT TUBE
25	048194-000	1	RETAINER, INSULATION, WRAPPER, RH
26	048200-000	1	RETAINER, WRAPPER, INSULATION, LH
27	046935-000	2	BRACKET, LEG, OFFSET
28	004698-000	1	FLUE DUCT, VDSC36
29	047822-000	1	BRKT, TEST, DF
30	003860-000		NO.10-18 X .500 FASTNR,SCR,HXWH,STL,ZPLT
31	048586-000	1	BRKT, MOUNT, CAPACITOR
32	045773-000	1	SHELF, SUPPLY, POWER
33	A2002195	1	POWER CORD MOUNTING BRKT (VDSC)
34	A1002457	1	POWER CORD MOUNTING STRAP (VDSC)
35	048838-000	1	DIVERTER, SHIELD, HEAT, DUCT
36	049785-000	1	BAFFLE, FAN, REAR, TOP
37	048805-000	1	DIVERTER, AIR, SHIM
38	046065-000	1	BRACKET, SWITCH, OVEN LIGHT
39	048802-000	1	DIVERTER, AIR
40	PC030007	4	LEG PLATE - 3/4 THREADED HOLE
41	048768-000	1	PANEL, INSL, 36 TOP
42	004541-000	1	ELEMENT, MTG TRAY 36
43	048604-000	1	PANEL, INSL, BACK, 36
44	024221-000	1	BRACKET, BROLIER, REAR
45	024234-000	1	BRACKET, BROLIER, FRONT
46	037304-000		FASTENER, PNH, TORX, AB, PSVD, WAX
47	014143-000		SCR 10-12 A SHLD TRP 1/2 S ZN BLUE
48	016838-000	1	INSULATION, BAKE, BOT
49	013547-000	2	BAKE ELEMENT INSULATION
50	043800-000	2	BUMPER, RBR, BLK
51	046595-000	1	WASHER, FIBER, BLACK
52	047812-000	1	PANEL, CVR, RH
53	A2009697	1	BRACKET, CONVECTION INSULATION
54	049484-000	1	BRACKET, FILLER, BLOWER
55	045550-000	2	SADDLE, WIRE, EDGE
56	045548-000	8	CLIP, ROUTING, WIRE?
57	044044-000	1	GROMMET, SWITCH, DOOR, RBR
58	047827-000	1	BRKT, RETAINER, TOP, REGULATOR
59	032861-000	1	COVER, BAKE TRAY, BK PORC

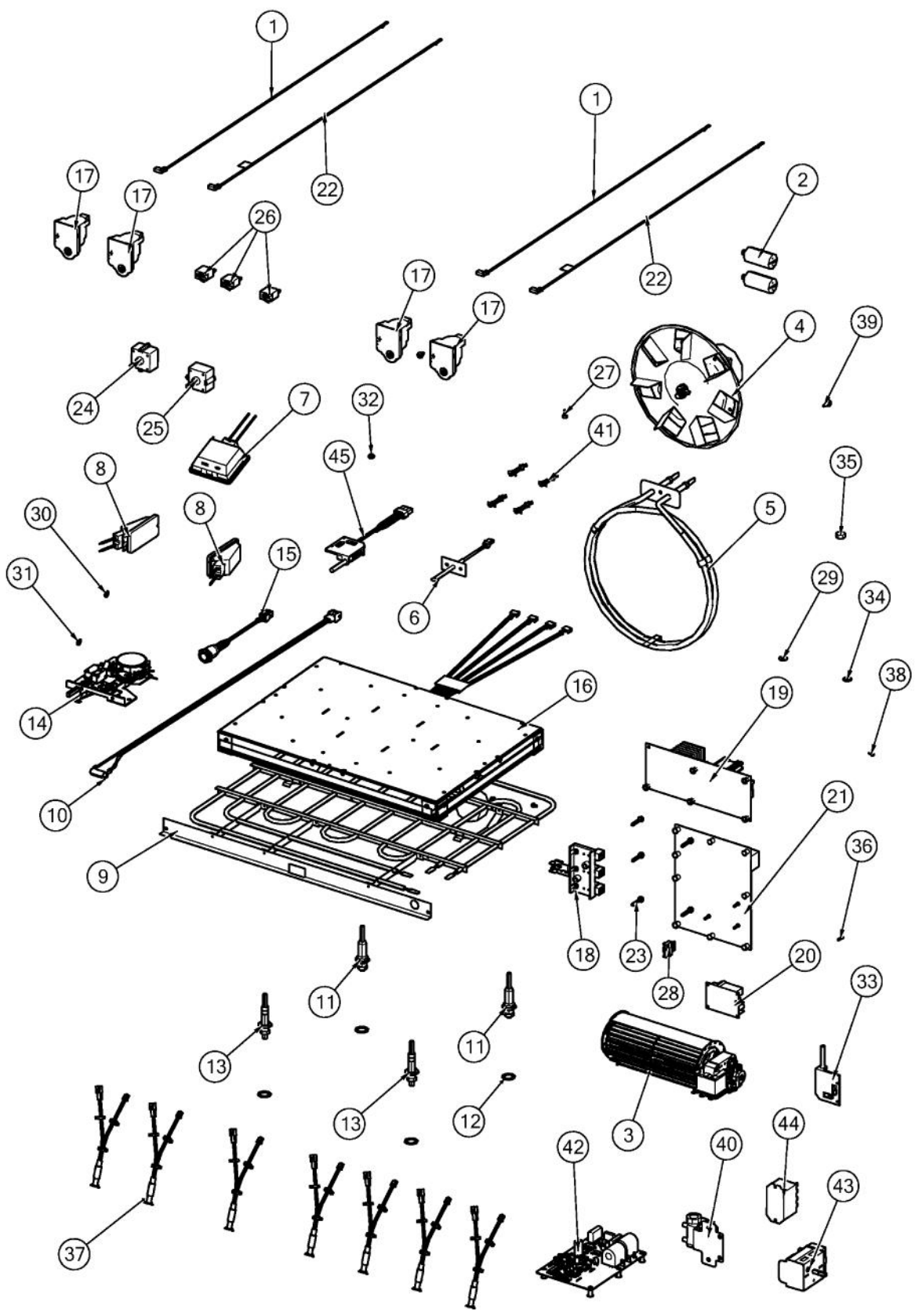
Ref #	Part Number	Qty.	Description
59	032861-000	1	COVER, BAKE TRAY, BK PORC
60	046651-000	1	SCREW, TRILOBE, 10-32, TRUSS, PH, BLACK
61	PD020010	1	10 X 3/8 GREEN GROUNDING SCREW
62	003860-000		NO.10-18 X .500 FASTNR,SCR,HXWH,STL,ZPLT
63	A2002654	1	ANTI-TIP DEVICE (VDSC)
64	PD020002		10 X 1/2 PH.TR.HD.SMS.
NI	045536-000	4	STANDOFF, GND, SELF-CLINCH
NI	PD010018		TOGGLE BOLT (3/16 X 2)
NI	PD020012		NO.10 X 1/2 TRIM HEX HD. TAP SCREW



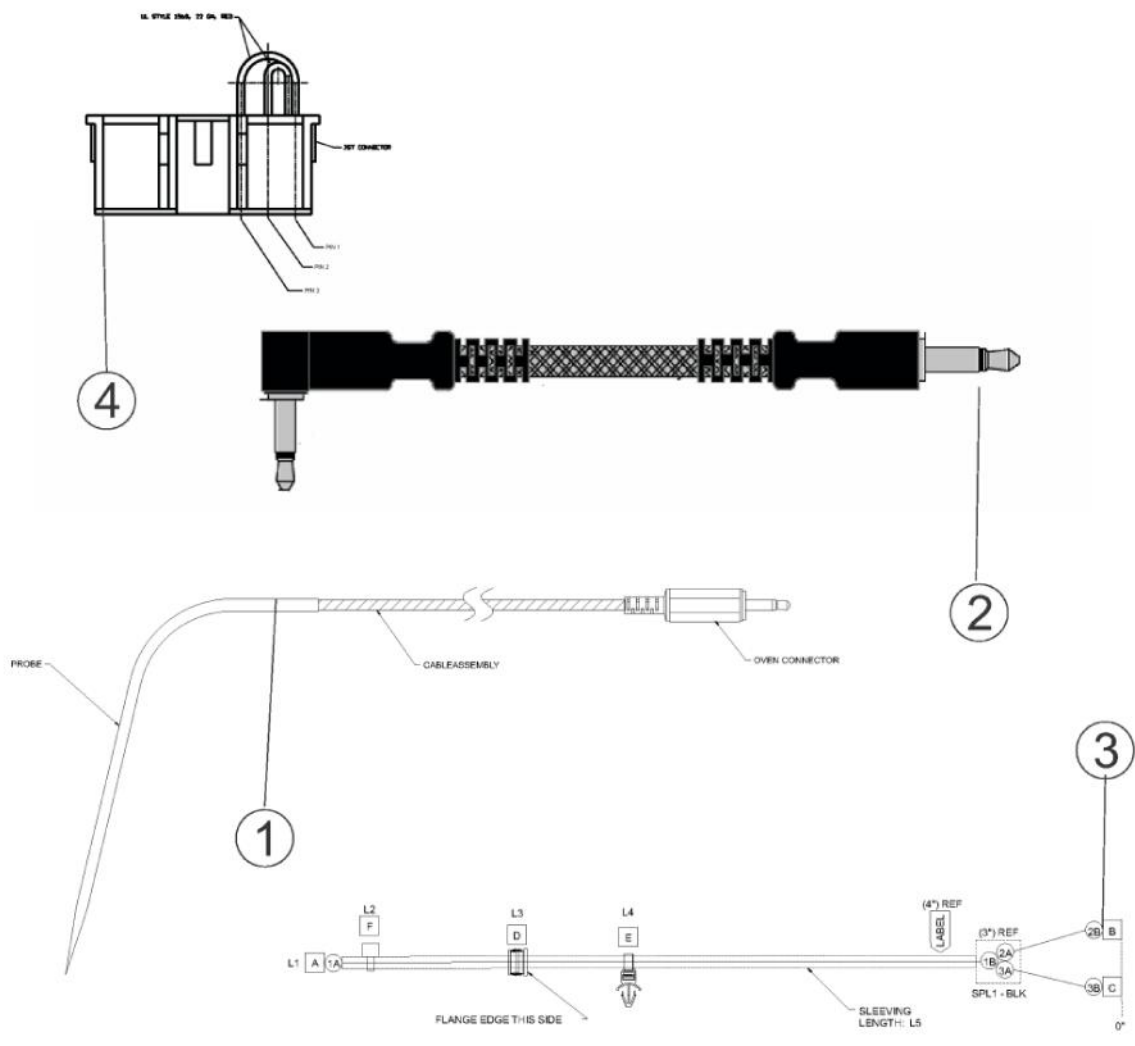
Ref #	Part Number	Qty.	Description
1	048807-000	2	DIVERTER, WATER, DUMP, SMALL
2	043851-000	1	DUCT, RH, ADJUSTABLE, DIVERTER, AIR
3	049753-000	1	SHIELD, HEAT, HARNESS, BTM
4	049964-000	1	SHIELD, HEAT, HARNESS, TOP
5	048769-000	1	BOX, BNR, 36
6	049744-000	1	BRACKET, MTG, 36 CONTROL PANEL
7	044873-000	1	PLATE, W/A, 12 GRIDDLE
8	047072-000	1	TROUGH, GRS, GRIDDLE, ASM
9	049039-402	1	PAN, BNR, SHIM, ASM, BLK, 36 GRIDDLE
10	049777-000	1	INSULATION, LINER, GRIDDLE, BURNER PAN, 36
11	049750-000	1	TRAY, INSULATION, BURNER PAN, GRIDDLE, 36
12	045888-000	1	BRKT, GRDL
13	045840-000	1	BURNER, HOLDER, REAR
14	044486-000	4	SUPPORT, HLD, JET
15	048188-000	1	BRACKET, TEE, PIPE
16	046854-000	1	SHIELD, HEAT
17	046873-000	8	SILENCER, GRATE
18	049534-000	5	SCREW, 8-32 X 3/4, PHIL, FLAT
19	042545-000	2	GRATE, CAST, 12
20	048961-000	5	STANDOFF, TWIST LOCK, TALL
21	042410-000	8	SUPPORT, GRATE
22	045843-000	1	BRKT, BURNER, SPT
23	003860-000	1	NO.10-18 X .500 FASTNR,SCR,HXWH,STL,ZPLT
24	PD020068	1	NO.10 - 32 X 1/2TRUSS. PHIL. M.XSSX
25	PD020010	1	10 X 3/8 GREEN GROUNDING SCREW
26	047069-000	1	BASE, SUMP, GRIDDLE, ASM
27	037304-000	1	FASTENER, PNH, TORX, AB, PSVD, WAX
28	014143-000	1	SCR 10-12 A SHLD TRP 1/2 S ZN BLUE
29	049534-000	1	SCREW, 8-32 X 3/4, PHIL, FLAT
30	050610-000	2	SADDLE, WIRE, EDGE, .46 X .29



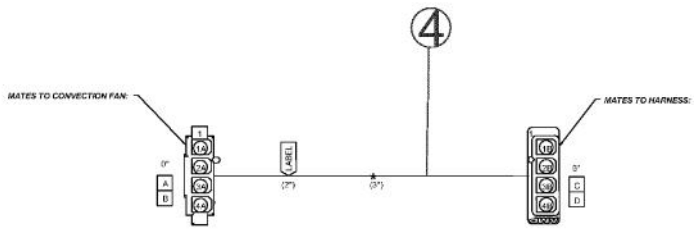
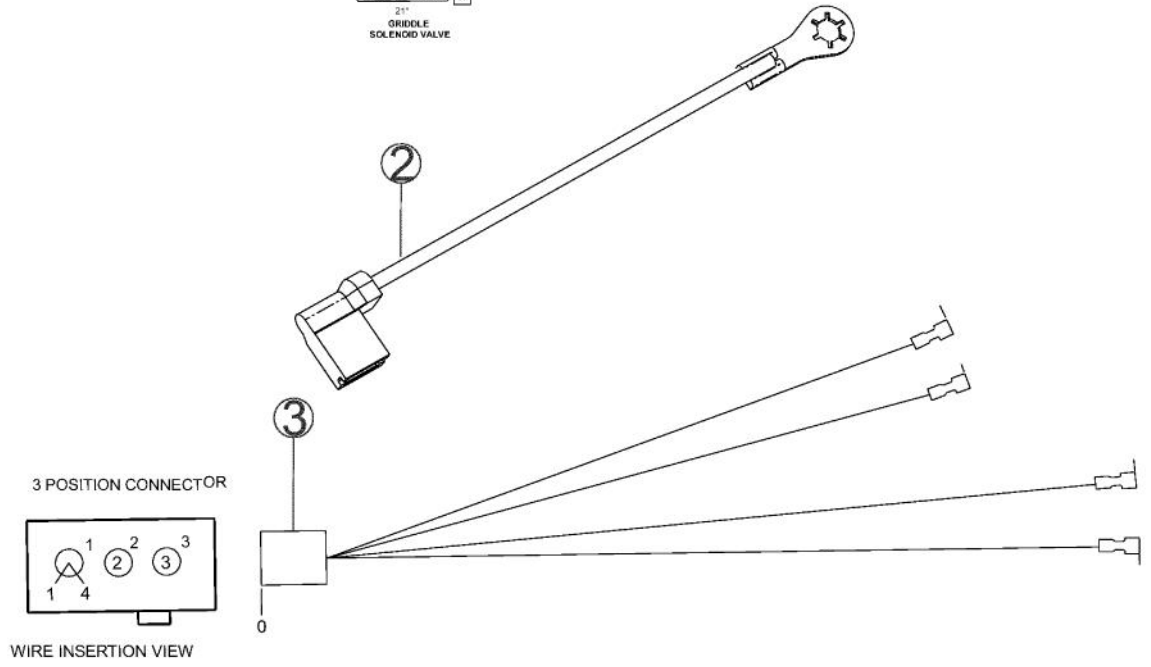
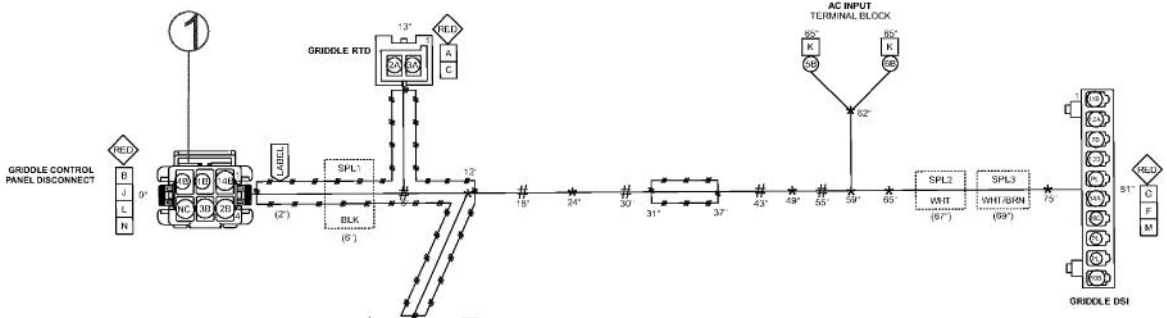
Ref #	Part Number	Qty.	Description
1	043159-000	2	E-BURNER HEAD
2	043791-000	1	BURNER, HEAD, BRS, C-SIZE
3	043251-000	1	D-BURNER HEAD
4	046964-000	8	SCREW, 10-32 X 3/4, CTSK, BLACK
5	043158-000	2	E-BURNER BASE
6	043790-000	1	BURNER, BASE, C-SIZE
7	043249-000	1	BASE, BNR, D
8	044485-000	2	VENTURI, E NAT, FLANGE, BNR - NAT
8	044488-000	2	VENTURI, E LP, FLANGE, BNR - LP
9	044487-000	1	VENTURI, D NAT, D LP, FLANGE, BNR
10	046912-000	1	MANIFOLD, GRIDDLE, GAS, 36 ASM
11	046133-000	1	BURNER, GRIDDLE
12	PB020198	2	20 FLEX TUBING
13	046399-000	2	TUBING, 3/4 FLEX, SST, 20
14	044686-000	1	VENTURI, C NAT, C LP, FLANGE, BNR
15	044824-000	2	FITTING, ADAPTOR, 1/2 FLEX TUBING
17	044321-000	4	FITTING, ADAPTOR, 3/4 FLEX TUBING
18	046119-000	1	PRESSURE REGULATOR - NAT
18	046120-000	1	REGULATOR, PRSS, 3/4 INLET, 3/4 OUTLET - LP
19	044325-000	1	ELBOW, 90 DEG STREET, 3/4 NPT
20	PB020191	2	15 FLEX TUBE
21	PD010012	4	VALVE BOLT 1/4-20 UNC-2B 5/16 M.S.
22	002884-000	1	MANIFOLD PLUG
23	044323-000	1	TEE, PIPE, 3/4
24	043208-000	4	HOLDER, JET, BURNER
25	043675-000	2	ORIFICE, BNR, STD, 2.18MM - NAT
25	043679-000	2	ORIFICE, BNR, STD, 1.32MM - LP
26	PB040190	1	90 DEGREE ORIFICE FITTING NO.50 NAT
26	002513-000	1	90 DEGREE ORIFICE FITTING NO.57 LP
27	046184-000	1	ORIFICE, BNR, STD, 1.70MM NAT
28	046197-000	2	VALVE, BNR, 9/16-24 UNEF ASSY - NAT
28	047915-000	2	VALVE, BNR, 9/16-24 UNEF ASSY - LP
29	043134-000	2	VALVE, BNR, 9/16-24 UNEF ASSY - NAT
30	PB030007	1	SHUT OFF VALVE
31	046396-000	1	TUBING, 1/2 I.D., FLEX, SST, 26
32	044688-000	2	ORIFICE, BNR, STD, 1.22MM - NAT
32	044820-000	2	ORIFICE, BNR, STD, .813MM - LP
33	PB020116	2	TUBING - 10 FLEXIBLE 12 & 24
34	PB040192	2	3/8`` CC FERREL (DGCU)
35	PB040213	2	3/8 COMPRESSION NUT (DGCU)
36	PB040050	2	3/8CC MALE COMP. FITTING W/FERRULE
37	PB020126	1	3/8`` S.S. FLEX TUBING 15`` (DGCU)
38	044322-000	1	NIPPLE, CLOSE, 3/4 NPTM TO 3/4 NPTM



Ref #	Part Number	Qty.	Description
1	028312-000	2	WIRE, ELECTRODE,IRIS,REAR?
2	036047-000	2	CAPACITOR, CONV MOTOR, INTL
3	018607-000	1	FAN,BLO, 220-240V 50/60HZ ASSY
4	G32014020	1	CONVECTION FAN ASSY
5	PJ010047	1	CONVECTION ELEMENT
6	PE050206	1	RTD THERMOSTAT PROBE
7	020403-000	1	BJB SLIMLINE 40W BULB
8	005311-000	2	120V/25W HALOGEN LIGHT
9	PJ010048	1	BAKE ELEMENT
10	008880-000	1	MEAT PROBE RECEPTACLE ASM
11	043067-000	2	ELECTRODE , ASM, D?
12	045932-000	4	WASHER, ELECTRODE?
13	043065-000	2	ELECTRODE, ASM E?
14	039293-000	1	LATCH, ELEC, 240V, ASSY
15	044195-000	1	SWITCH, PB-LT, 5WIRE, ASSY
16	024040-000	1	ELEMENT, RIBBON (USE PART NO. 013930-000 IF OUT OF 0...
17	PA020058	4	IRIS SINGLE SPARK MODULE
18	PE070147	1	TERMINAL BLOCK
19	038417-000	1	EOC4 POWER SUPPLY BOARD, CB
20	044693-000	1	SUPPLY, POWER, AC/DC 12VDC, 15W
21	046141-000	1	PCBA, EOC4 WITH LED HEADER
22	028324-000	2	WIRE, ELECTRODE,IRIS,FRONT?
23	M0211021	1	SCREW-SM
24	PJ030035	1	THERMOSTAT
25	PJ030033	1	SELECTOR (10 POS)
26	043135-000	3	HOUSING, LIGHT, LED, BLUE 3.3V
27	PD020067	1	NO.6 X 3/8 PAN PHIL. TEK SS
28	023022-000	1	MODEL 17 HEADER
29	042402-000	1	WASHER, W/ADHESIVE
30	008882-000	1	FASTENER, WSHR, LCKG, 1/4 I.D.
31	008883-000	2	FASTENER, NUT, SST, 1/4 32
32	037304-000	1	FASTENER, PNH, TORX, AB, PSVD, WAX
33	048347-000	1	SWITCH, SPDT, DOOR, STRAIGHT TABS
34	PD040164	1	5/16 INTERNAL TOOTH LOCK WASHER TYPE A
35	PD030172	1	M8 X 1.25MM NUT
36	045594-000	1	SCREW, SHCS, NO.4-40 X 3/8, SS
37	048809-000	8	LAMP, LED, 12VDC, 2.84K, WHITE, ASM?
38	PD020006	1	NO.6-32 X 1/4 PH.PAN HD. T(F)
39	003860-000	1	NO.10-18 X .500 FASTNR,SCR,HXWH,STL,ZPLT
40	009111-000	1	VALVE, SOL, SINGLE
41	045528-000	4	STANDOFF, LOCKING CLIP
42	043453-000	1	MODULE, DSI
43	038413-000	1	TSTAT,SMPS, ELEC, 2-POS, .91 SHAFT, CB
44	049463-000	1	RELAY, DPST, 30A, 120VAC, COIL
45	045032-000	1	SWITCH, DOOR, W-CONNECTOR, ASM
NI	048831-000	1	KITCHEN THERMOMETER P/N 1KT002 VIKING OVERLAY
NI	07008-000	1	RTD PROBE?

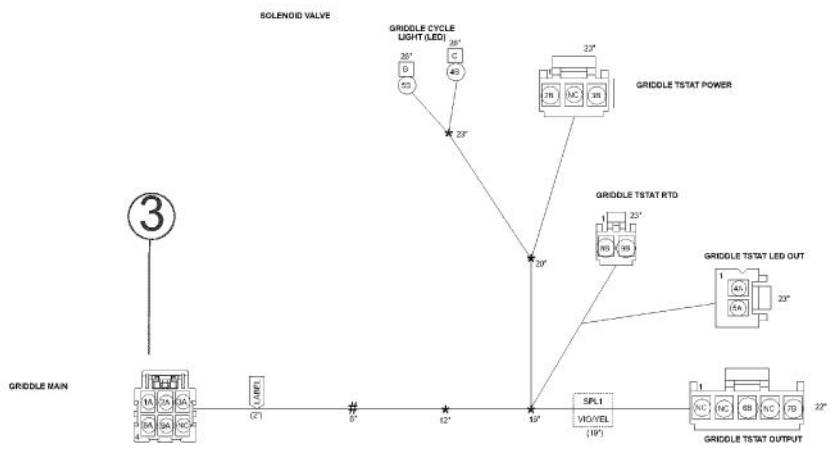
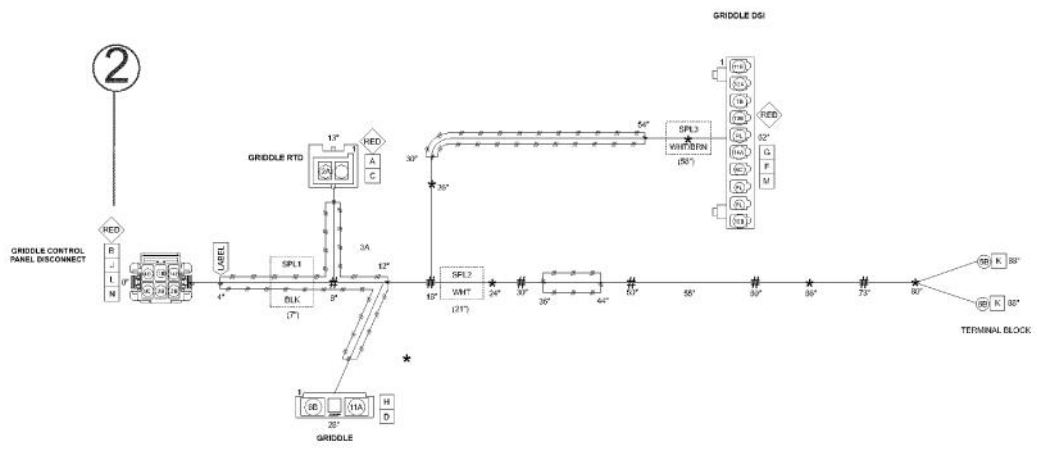
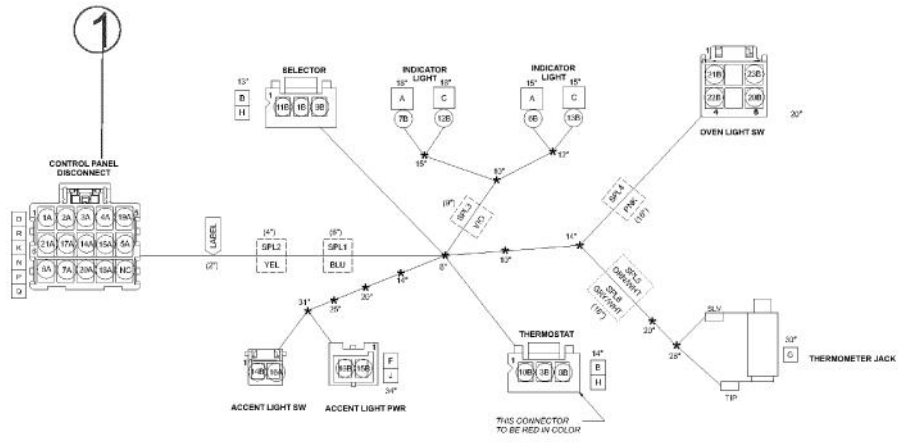


Ref #	Part Number	Qty.	Description
1	046020-000	1	PROBE, MEAT, OVEN, IGRILL, SST, 3.5MM
2	046021-000	1	CORD, ADPT, M-M, 2.5TS, 2.5TS, SST
3	049310-000	1	HARN, VGR7364G, ELECTRODE, GRIDDLE
4	038655-000	1	GRIDDLE,JUMPER,BRIGADE

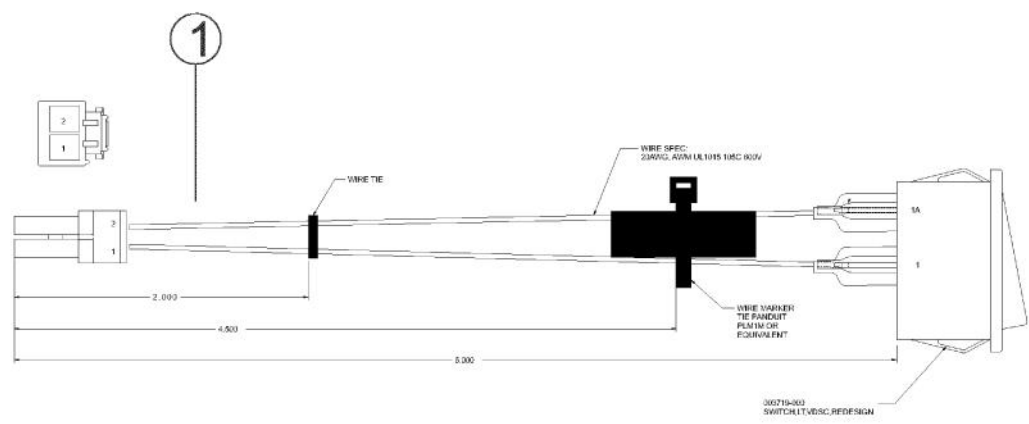


Ref #	Part Number	Qty.	Description
1	049431-000	1	HARN, GRIDDLE, VDR748, MAIN, RH
2	043994-000	1	WIRE, GROUND, 5
3	PE070739	1	BAKE ELEMENT HARNESS
4	050081-000	2	HARN, JUMPER, ADAPT CONV FAN

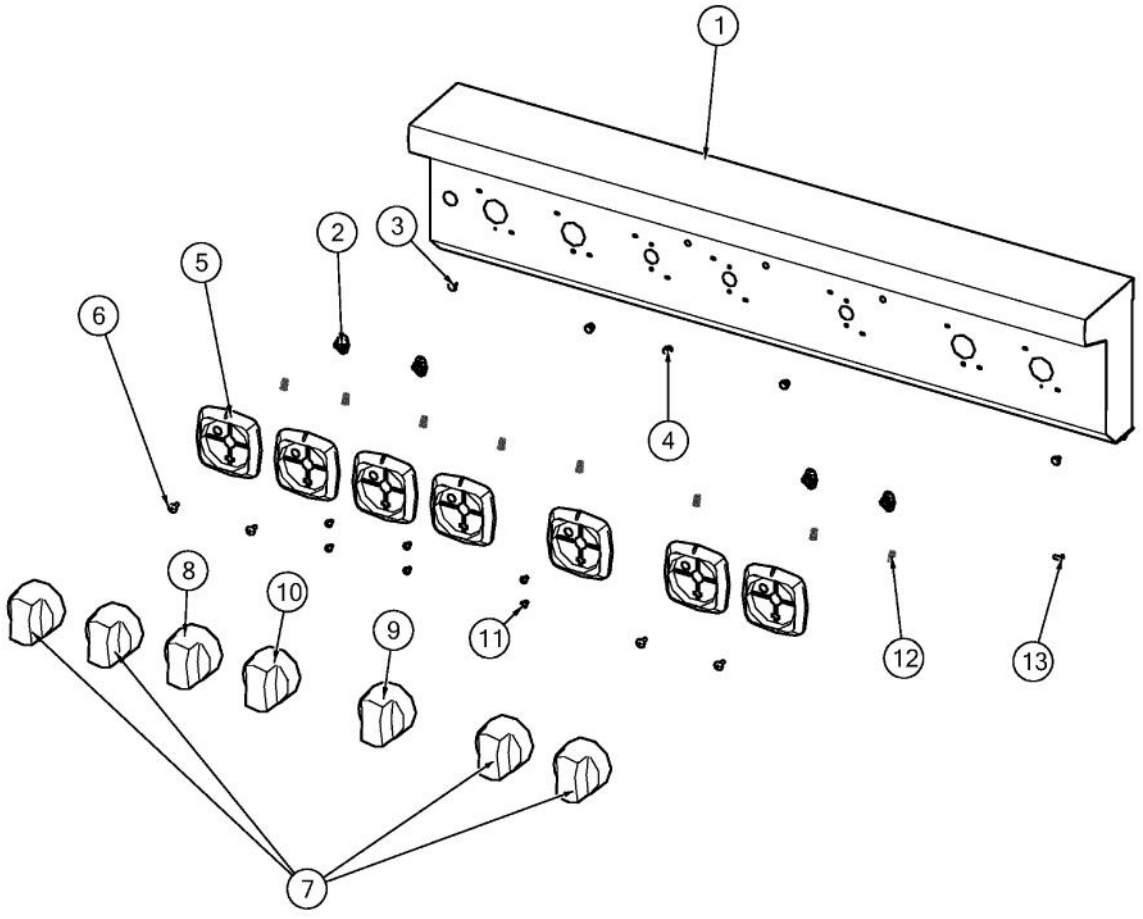
Ref #	Part Number	Qty.	Description
1	044909-000	1	HARN, VDR736, MAIN



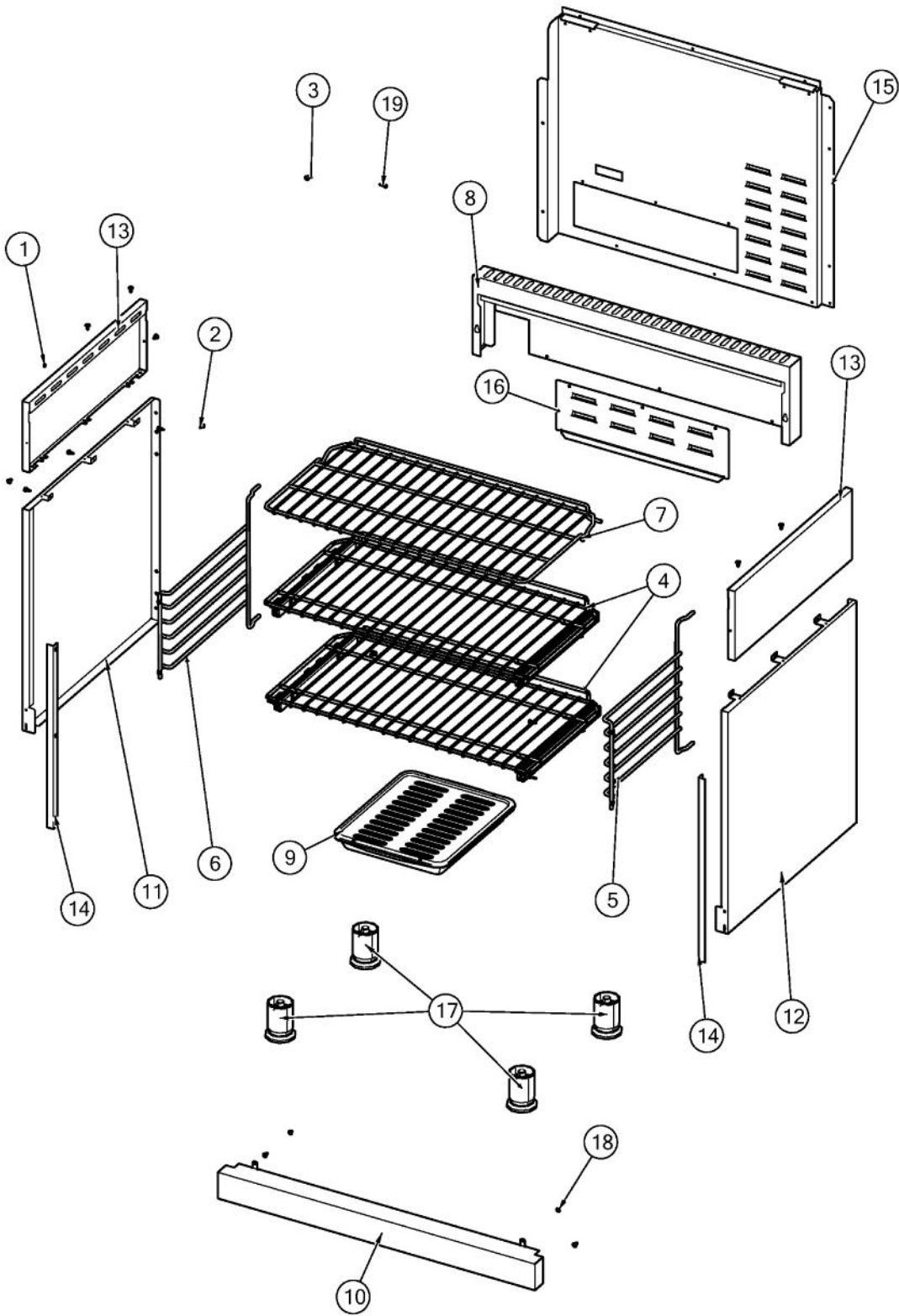
Ref #	Part Number	Qty.	Description
1	049309-000	1	HARN, VDR736, CP, RH
2	049033-000	1	HARN, GRIDDLE, VDR736, MAIN
3	049032-000	1	HARN, GRIDDLE, VDR736, CP, RH



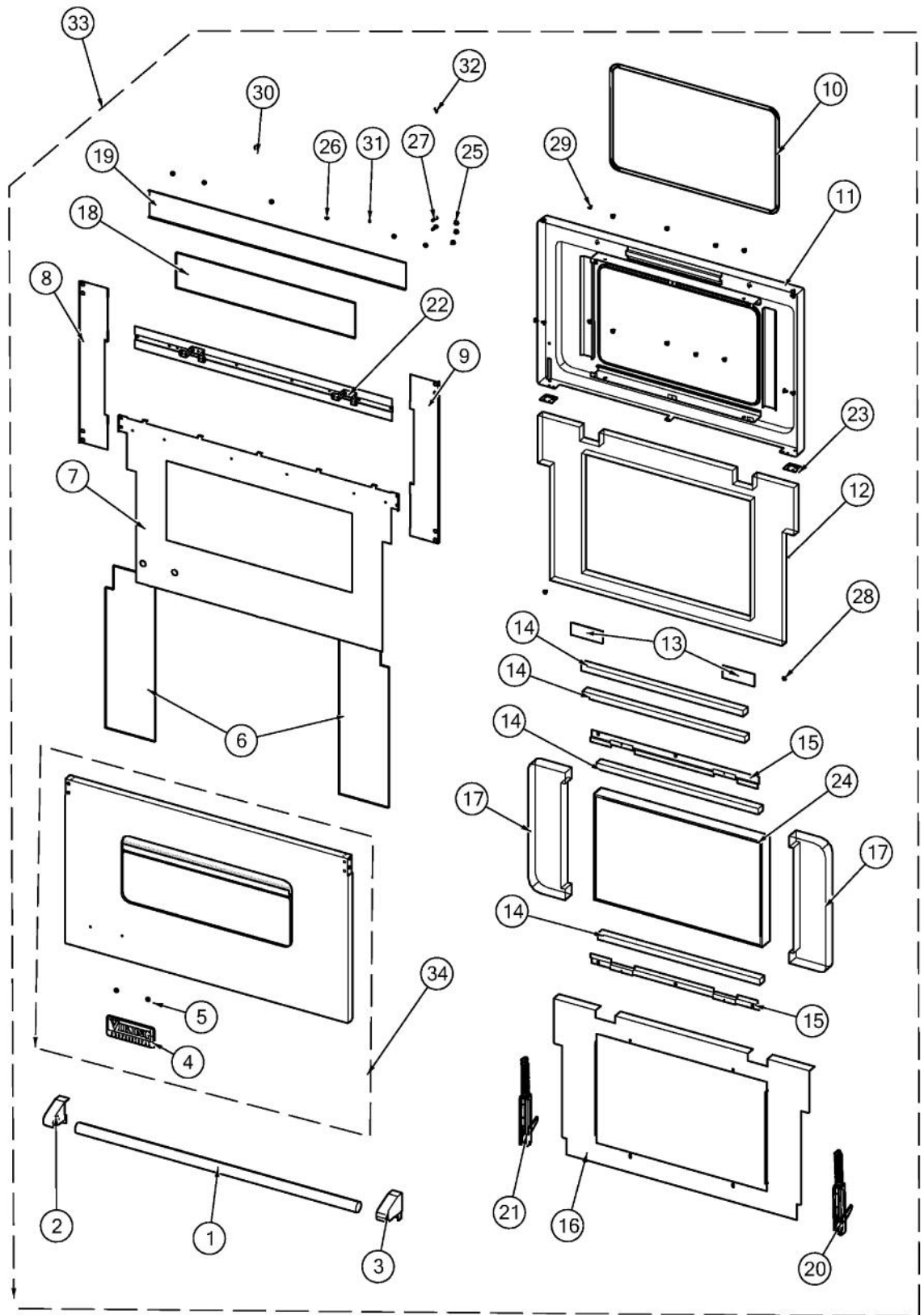
Ref #	Part Number	Qty.	Description
1	046283-000	1	SWITCH, LIGHTS, ACCENT W/CONN?
2	044607-000	1	WIRE, GROUND



Ref #	Part Number	Qty.	Description
1	048863-2670	1	PNL, CTRL, VDR736, W/GRAPHICS ASSY
2	044512-000	4	BEARING, BEZEL, ASM
3	PD020032		SRW-8(A)X3/8PH.WFR HD 7/16DIA XNCL
4	027968-000	3	INDICATOR, LIGHT, BLUE
5	048309-000	7	BZL, KNOB
6	PD020046		NO.8 X 1/2 SCREWS
7	042558-000	4	KNOB, ASSY, BURNER
8	042561-000	1	KNOB, ASSY, SELECTOR, D/F
9	045725-000	1	KNOB, THERMOSTAT, GRIDDLE ASSY
10	042560-000	1	KNOB, ASSY, T' STAT, OVEN, D/F
11	PD020269		NO.8 PAN HEAD SCREW
12	044937-000	8	LENS, COVER, LED, CLEAR
13	008863-000		SCREW NO.8 - 18 X 3/8, PHIL, LOW PROFILE TRUSS



Ref #	Part Number	Qty.	Description
1	003801-000	1	SHOULDER SCREW, NO.10
2	003860-000	1	NO.10-18 X .500 FASTNR,SCR,HXWH,STL,ZPLT
3	014143-000	1	SCR 10-12 A SHLD TRP 1/2 S ZN BLUE
4	024668-000	2	RACK PULLOUT ASM 36
5	036216-402	1	RACK,PRO,ASM,RH, BLACK
6	036220-402	1	RACK,PRO,ASM,LH, BLACK
7	041047-000	1	RACK, DF, PRO, 36
8	042117-000	1	TRIM, IS, VGR, 36?
9	042253-000	1	PAN, BROILER, PORCELAIN ASM
10	042287-000	1	KICKPLATE 36
11	042372-000	1	COVER, OS, LH SS
11	049552-024	1	COVER, OS, LH AR
11	049552-002	1	COVER, OS, LH BK
11	049552-008	1	COVER, OS, LH BU
11	049552-013	1	COVER, OS, LH CB
11	049552-005	1	COVER, OS, LH GG
11	049552-006	1	COVER, OS, LH WH
12	042375-000	1	COVER, OS, RH SS
12	049551-024	1	COVER, OS, RH AR
12	049551-002	1	COVER, OS, RH BK
12	049551-008	1	COVER, OS, RH BU
12	049551-013	1	COVER, OS, RH CB
12	049551-005	1	COVER, OS, RH GG
12	049551-006	1	COVER, OS, RH WH
13	042404-000	2	COVER, OS, RH/LH UPPER?
14	047777-000	2	TRIM, FRAME, SIDE
15	048808-000	1	COVER, BACK, 36
16	048836-000	1	COVER, PNL, ACCESS
17	044178-000	4	RANGE, LEG, ADJUSTABLE
18	PD020032	1	SRW-8(A)X3/8PH.WFR HD 7/16DIAXNICL
19	PD020232	1	NO.8 X 3/4 PH PAN HEAD TEK SCREW (BLACK OXIDE)



Ref #	Part Number	Qty.	Description
1	006080-000	1	36 DOOR HANDLE, SST
2	003011-000	1	DOOR HANDLE ENDCAP ASSY, LH (CHROME)
3	003012-000	1	DOOR HANDLE ENDCAP ASSY, RH (CHROME)
4	PE010030	1	LOGO, 6, PRO, BK
5	PD030006	2	CAPPED WASHER PAL NUT
6	006086-000	2	DOOR, SKIN, INSULATION, SIDE, 36
7	006084-000	1	DOOR SKIN INSULATION RETAINER, 36
8	009427-000	1	BRACKET, DOOR, LH, VDSC18, SKIN
9	009428-000	1	BRACKET, DOOR, RH, VDSC18, SKIN
10	000594-066	1	BLACK FIBERGLASS ROPE 3/8
11	048957-402	1	LINER, DOOR, WLD, ASSY 36 BK
12	024492-000	1	INSULATION, DOOR LINER, 36
13	013567-000	2	DOOR BRACKET INSULATION
14	013547-000	4	BAKE ELEMENT INSULATION
15	004153-000	2	DOOR GLASS HOLDER BRACKET
16	006076-000	1	DOOR LINER INSULATION RETAINER, 36
17	024489-000	2	INSULATION, DOOR PLUG, 36
18	006788-000	1	INSULATION,DOOR,TOP,SUPERWOOL,.25,VDSC530
19	006082-000	1	DOOR SKIN HEAT SINK, 36
20	046544-000	1	HINGE, NUOVA STAR, RH, GREEN
21	046545-000	1	HINGE, NUOVA STAR, LH, GREEN
22	006089-000	1	DOOR SKIN MTG BRACKET ASSY, 36
23	048954-000	2	SHIM, HINGE, DF
24	PE060094	1	30 WINDOW PACK
25	004907-000	4	STEEL FINISHING PLUG, NICKEL PLTD 25/64 HOLE
26	PD030010		NO.10-24 KEPS NUT
27	002736-000		NO.10-32 PAN HEAD PHILLIPS MACHINE SCREW
28	PD020032		SRW-8(A)X3/8PH.WFR HD 7/16DIAXNICL
29	PD020063		SCREW-NO.8(A) X 3/8PH WFR HD/BK OXID
30	PD020033		SRW-NO.10-24X1/2T(23)PH.WFR HD (NKL)
31	PD020073		SRW NO.10 X 24 X 3/8 WAFER HD TYPE23
32	004526-000		FASTENER,SCR,TPGS,TRH,PHLP,NO.10-1/2
33	048959-000	1	DOOR ASSEMBLY- SS, 36 - SS
33	051468-024	1	DOOR ASSEMBLY- SS, 36 - AR
33	051468-002	1	DOOR ASSEMBLY- SS, 36 - BK
33	051468-008	1	DOOR ASSEMBLY- SS, 36 - BU
33	051468-013	1	DOOR ASSEMBLY- SS, 36 - CB
33	051468-005	1	DOOR ASSEMBLY- SS, 36 - GG
33	051468-006	1	DOOR ASSEMBLY- SS, 36 - WH
34	048955-000	1	DOOR, OS, KIT, 36 ASM - SS
34	009852-024	1	DOOR SKIN ASM - AR, 36
34	009852-002	1	DOOR SKIN ASM - BK, 36 NOT FIELD REPLACEABLE
34	009852-008	1	DOOR SKIN ASM - BU, 36
34	009852-013	1	DOOR SKIN ASM - CB, 36
34	009852-005	1	DOOR SKIN ASM - CG, 36
34	009852-006	1	DOOR SKIN ASM - WH, 36