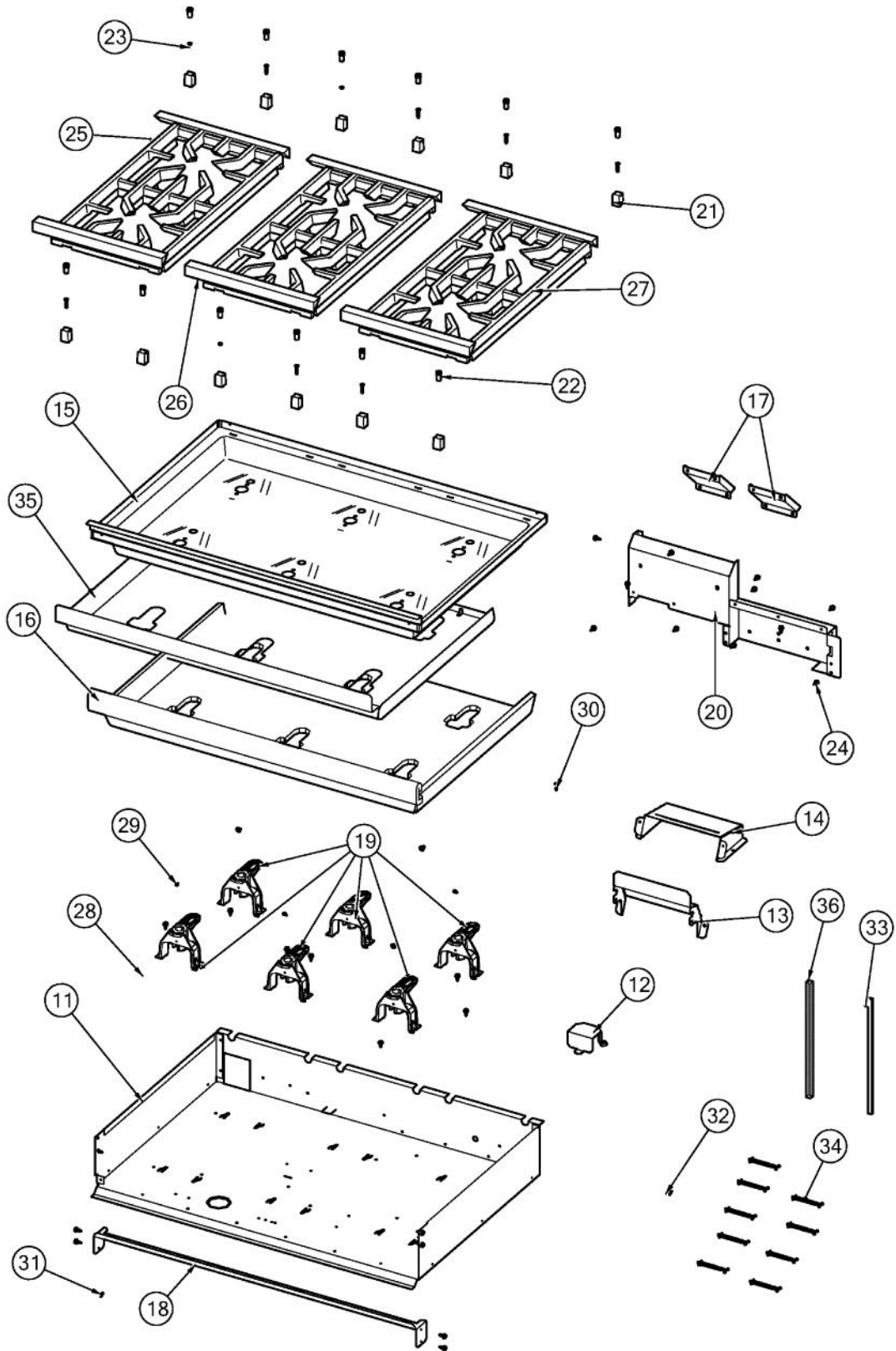


Ref #	Part Number	Qty.	Description
1	016842-000	2	INSULATION, BROIL, TOP, SIDE
2	013563-000	1	LINER FRONT INSULATION
3	016840-000	1	INSULATION, TOP
4	016843-000	1	INSULATION, CAVITY, BACK
5	048835-000	1	RANGE, BASE, BACK, SHORT, DF
6	043758-000	1	GASKET, LINER, DF, ASM 36
7	N/P	1	CABINET (NOT FIELD REPLACEABLE)
8	045786-000	1	RECEIVER, HINGE, SLOW-CLOSE, DAMPENED
9	045060-000	1	RECEIVER, HINGE, SLOW-CLOSE, UNDAMPENED
10	034927-000	1	BRACKET, ANTI-TIP
11	034928-000	1	BRACKET, HOOK, ANTI-TIP
12	016841-000	1	INSULATION, BROIL, TOP
13	048195-000	1	SHIM, SHIELD, RETAINER, RH HINGE
14	006177-402	1	BAFFLE,CNVN,ASM,VDSC 36 BK
15	048199-000	1	SHIM, SHIELD, RETAINER, LH HINGE
16	043763-000	2	BRKT, TOP, WRAPPER
17	013528-000	2	30 SIDE INSULATION
18	044825-000	1	SUPPORT, OVEN, BOT, R, INTL
19	044826-000	1	SUPPORT, OVEN, BOT, L, INTL
20	013564-000	1	LOWER LATCH INSULATION
21	004285-000	1	INSULATION, FOIL-BACKED,4X5
22	047826-000	1	BRKT, BASE, RETAINER, VALVE, SHUT OFF
23	PM010014	1	SMOKE ELIMINATOR (VDSC)
24	PB020275	1	VENT TUBE
25	048194-000	1	RETAINER, INSULATION, WRAPPER, RH
26	048200-000	1	RETAINER, WRAPPER, INSULATION, LH
27	046935-000	2	BRACKET, LEG, OFFSET
28	004698-000	1	FLUE DUCT, VDSC36
29	047822-000	1	BRKT, TEST, DF
30	003860-000		NO.10-18 X .500 FASTNR,SCR,HXWH,STL,ZPLT
31	048586-000	1	BRKT, MOUNT, CAPACITOR
32	045773-000	1	SHELF, SUPPLY, POWER
33	A2002195	1	POWER CORD MOUNTING BRKT (VDSC)
34	A1002457	1	POWER CORD MOUNTING STRAP (VDSC)
35	048838-000	1	DIVERTER, SHIELD, HEAT, DUCT
36	049785-000	1	BAFFLE, FAN, REAR, TOP
37	048805-000	1	DIVERTER, AIR, SHIM
38	046065-000	1	BRACKET, SWITCH, OVEN LIGHT
39	048802-000	1	DIVERTER, AIR
40	PC030007	4	LEG PLATE - 3/4 THREADED HOLE
41	048768-000	1	PANEL, INSL, 36 TOP
42	004541-000	1	ELEMENT, MTG TRAY 36
43	048604-000	1	PANEL, INSL, BACK, 36
44	024221-000	1	BRACKET, BROLIER, REAR
45	024234-000	1	BRACKET, BROLIER, FRONT
46	037304-000		FASTENER, PNH, TORX, AB, PSVD, WAX
47	014143-000		SCR 10-12 A SHLD TRP 1/2 S ZN BLUE
48	016838-000	1	INSULATION, BAKE, BOT
49	013547-000	2	BAKE ELEMENT INSULATION
50	043800-000	2	BUMPER, RBR, BLK
51	046595-000	1	WASHER, FIBER, BLACK
52	047812-000	1	PANEL, CVR, RH
53	A2009697	1	BRACKET, CONVECTION INSULATION
54	049484-000	1	BRACKET, FILLER, BLOWER
55	045550-000	2	SADDLE, WIRE, EDGE
56	045548-000	8	CLIP, ROUTING, WIRE?
57	044044-000	1	GROMMET, SWITCH, DOOR, RBR
58	047827-000	1	BRKT, RETAINER, TOP, REGULATOR
59	032861-000	1	COVER, BAKE TRAY, BK PORC

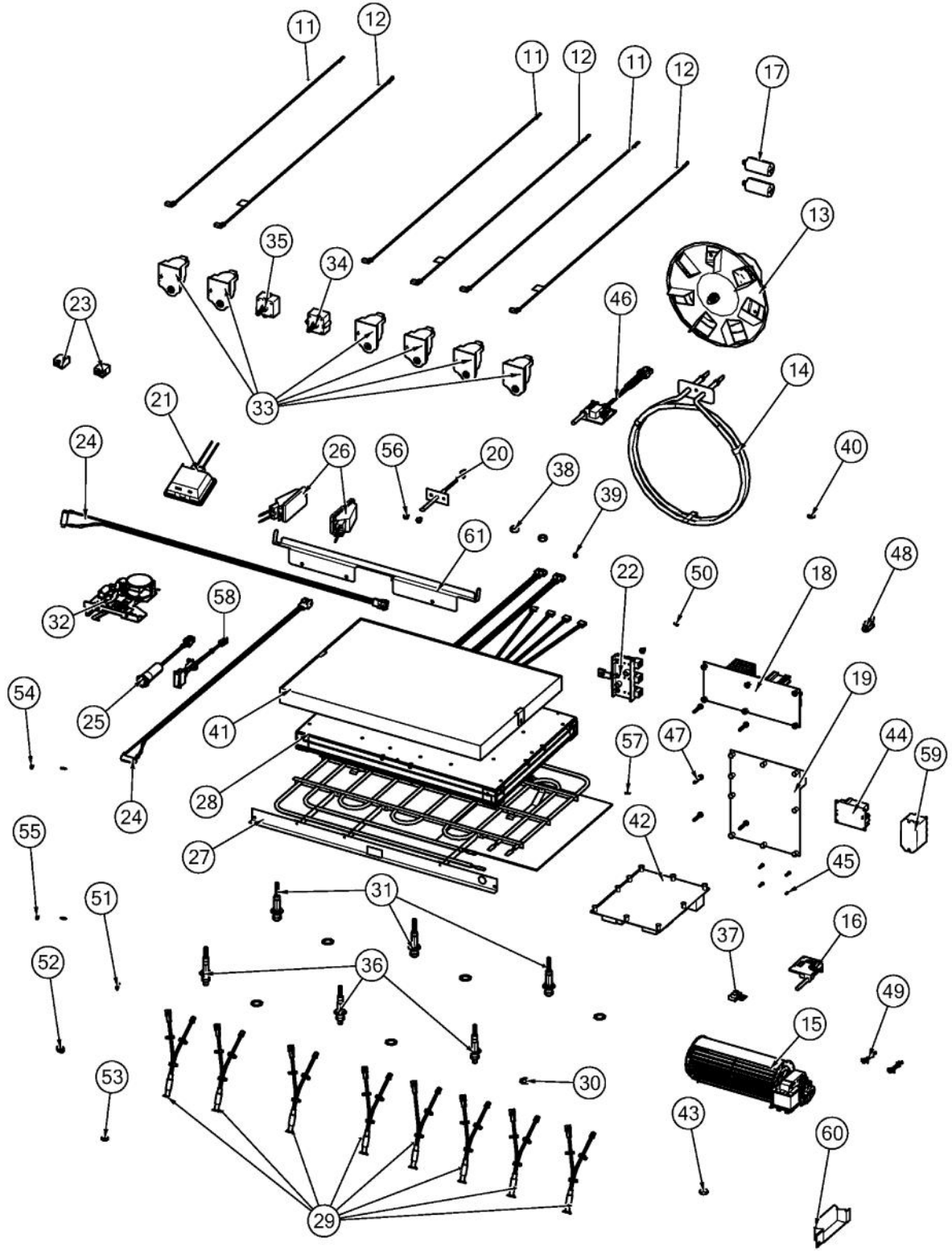
Ref #	Part Number	Qty.	Description
59	032861-000	1	COVER, BAKE TRAY, BK PORC
60	046651-000	1	SCREW, TRILOBE, 10-32, TRUSS, PH, BLACK
61	PD020010	1	10 X 3/8 GREEN GROUNDING SCREW
63	A2002654	1	ANTI-TIP DEVICE (VDSC)
64	PD020002	1	10 X 1/2 PH.TR.HD.SMS.
NI	045536-000	4	STANDOFF, GND, SELF-CLINCH
NI	PD010018		TOGGLE BOLT (3/16 X 2)
NI	PD020012		NO.10 X 1/2 TRIM HEX HD. TAP SCREW



Ref #	Part Number	Qty.	Description
1	042132-2527	1	PNL, CTRL, VDR736, W/GRAPHICS ASSY
2	027968-000	3	INDICATOR, LIGHT, BLUE
3	048309-000	8	BZL, KNOB
4	044512-000	6	BEARING, BEZEL, ASM
5	PD020073	2	SRW NO.10 X 24 X 3/8 WAFER HD TYPE23
6	PD020269	2	NO.8 PAN HEAD SCREW
7	PD020046	6	NO.8 X 1/2 SCREWS
8	042558-000	6	KNOB, ASSY, BURNER
9	042560-000	1	KNOB, ASSY, T`STAT, OVEN, D/F
10	042561-000	1	KNOB, ASSY, SELECTOR, D/F
11	048769-000	1	BOX, BNR, 36
12	048188-000	1	BRACKET, TEE, PIPE
13	049964-000	1	SHIELD, HEAT, HARNESS, TOP
14	049753-000	1	SHIELD, HEAT, HARNESS, BTM
15	048017-402	1	PAN, BNR, SHIM, ASM, BLK
16	049746-000	1	INSULATION, LINER, BURNER PAN, 36
17	048807-000	2	DIVERTER, WATER, DUMP, SMALL
18	049744-000	1	BRACKET, MTG, 36 CONTROL PANEL
19	044486-000	6	SUPPORT, HLD, JET
20	043851-000	1	DUCT, RH, ADJUSTABLE, DIVERTER, AIR
21	042410-000	12	SUPPORT, GRATE
22	046873-000	12	SILENCER, GRATE
23	049534-000	12	SCREW, 8-32 X 3/4, PHIL, FLAT
24	003860-000	1	NO.10-18 X .500 FASTNR,SCR,HXWH,STL,ZPLT
25	042545-000	1	GRATE, CAST, 12
28	014143-000	1	SCR 10-12 A SHLD TRP 1/2 S ZN BLUE
29	PD020068	1	NO.10 - 32 X 1/2TRUSS. PHIL. M.XSSX
30	PD020061	1	NO.8 X 3/4 FLAT HD TEK. SS.
31	PD020010	1	10 X 3/8 GREEN GROUNDING SCREW
32	050610-000	1	SADDLE, WIRE, EDGE, .46 X .29
33	028325-000	1	GASKET, 1/4 X 3/8, 1-SIDE ADHESIVE
34	048961-000	9	STANDOFF, TWIST LOCK, TALL
35	049745-000	1	TRAY, PNL, INSULATION, BURNER PAN, 36
36	051457-000	1	GASKET, 1/2 X 1/2, 1-SIDE PSA

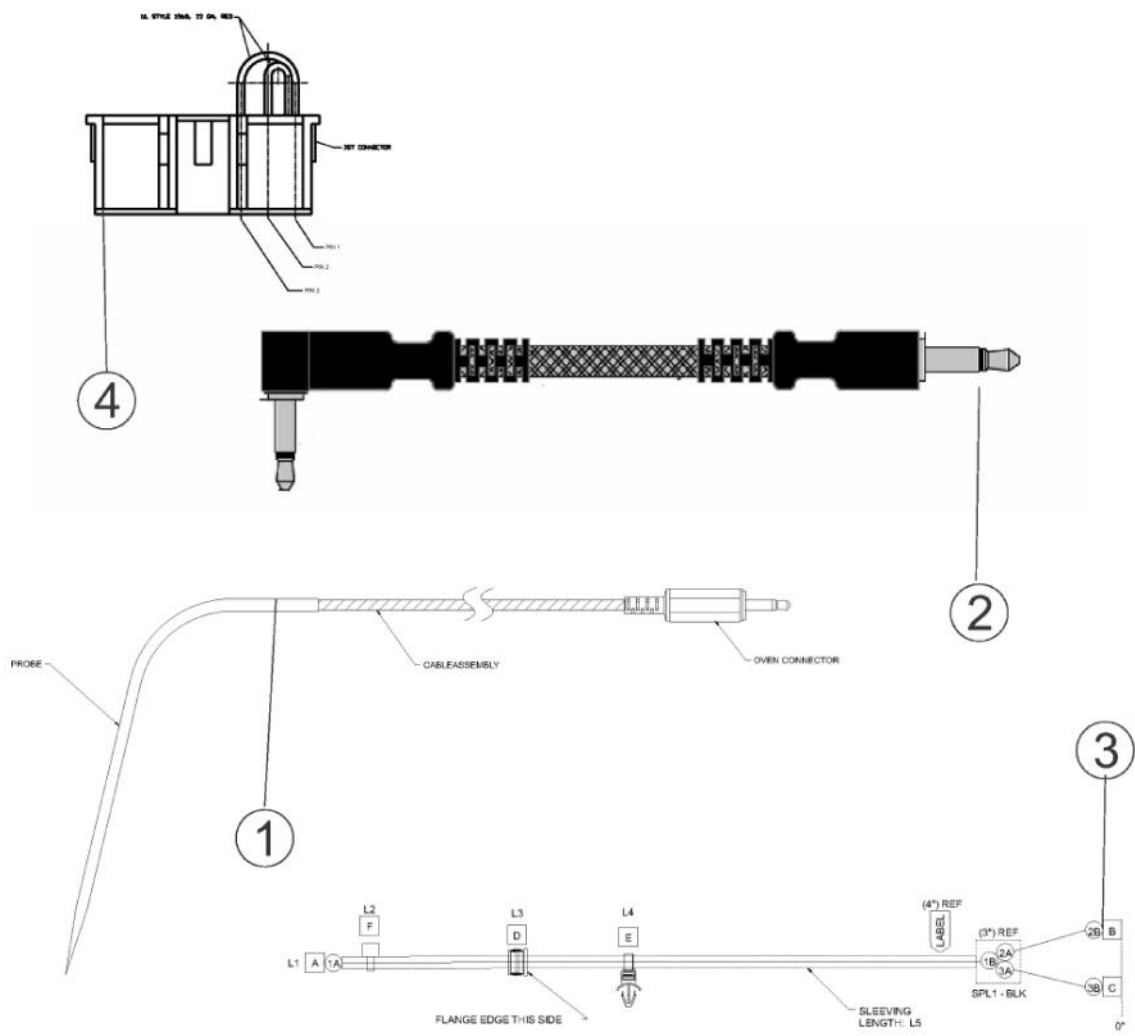


Ref #	Part Number	Qty.	Description
1	043159-000	3	E-BURNER HEAD
2	043251-000	2	D-BURNER HEAD
3	043791-000	1	BURNER, HEAD, BRS, C-SIZE
4	043158-000	3	E-BURNER BASE
5	043249-000	2	BASE, BNR, D
6	043790-000	1	BURNER, BASE, C-SIZE
7	044485-000	3	VENTURI, E NAT, FLANGE, BNR - NAT
7	044488-000	3	VENTURI, E LP, FLANGE, BNR - LP
8	044686-000	1	VENTURI, C NAT, C LP, FLANGE, BNR
9	044487-000	2	VENTURI, D NAT, D LP, FLANGE, BNR
10	046964-000	12	SCREW, 10-32 X 3/4, CTSK, BLACK
11	043208-000	6	HOLDER, JET, BURNER
12	043675-000	3	ORIFICE, BNR, STD, 2.18MM - NAT
12	043679-000	3	ORIFICE, BNR, STD, 1.32MM - LP
13	046184-000	2	ORIFICE, BNR, STD, 1.70MM NAT
13	043680-000	2	ORIFICE, BNR, STD, 1.07MM - LP
14	043122-000	1	MANIFOLD, GAS, 36 ASM
15	046399-000	2	TUBING, 3/4 FLEX, SST, 20
16	044824-000	2	FITTING, ADAPTOR, 1/2 FLEX TUBING
17	046396-000	1	TUBING, 1/2 I.D., FLEX, SST, 26
18	PB020198	3	20 FLEX TUBING
19	044323-000	1	TEE, PIPE, 3/4
20	PB020191	3	15 FLEX TUBE
21	044321-000	4	FITTING, ADAPTOR, 3/4 FLEX TUBING
22	PD010012	7	VALVE BOLT 1/4-20 UNC-2B 5/16 M.S.
23	044322-000	1	NIPPLE, CLOSE, 3/4 NPTM TO 3/4 NPTM
24	046119-000	1	PRESSURE REGULATOR - NAT
24	046120-000	1	REGULATOR, PRSS, 3/4 INLET, 3/4 OUTLET - LP
25	002884-000	1	MANIFOLD PLUG
26	044688-000	1	ORIFICE, BNR, STD, 1.22MM - NAT
26	044820-000	1	ORIFICE, BNR, STD, .813MM - LP
27	044325-000	1	ELBOW, 90 DEG STREET, 3/4 NPT
28	043134-000	3	VALVE, BNR, 9/16-24 UNEF ASSY - NAT
28	047916-000	3	VALVE, BNR, 9/16-24 UNEF ASSY - LP
29	046197-000	3	VALVE, BNR, 9/16-24 UNEF ASSY - NAT
29	047915-000	3	VALVE, BNR, 9/16-24 UNEF ASSY - LP

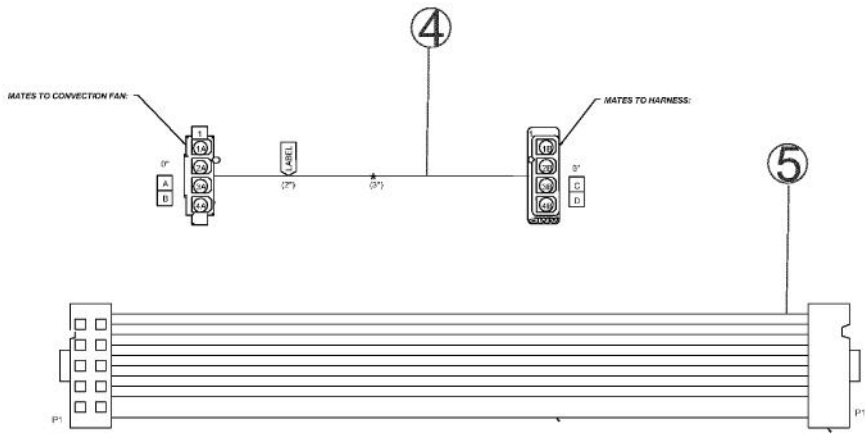
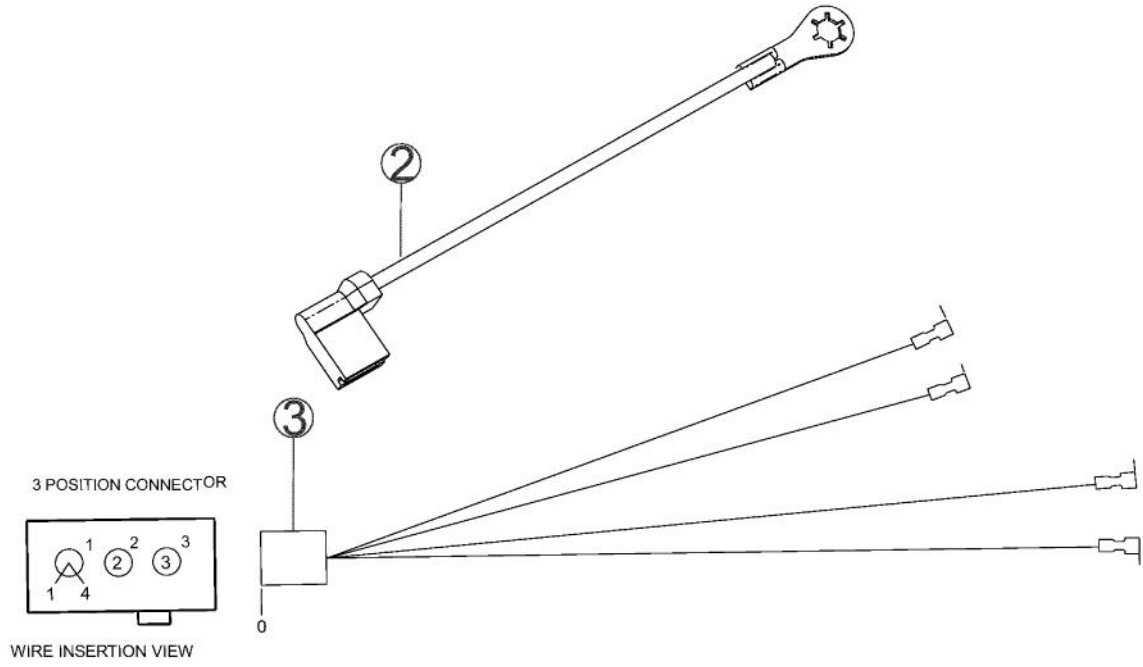
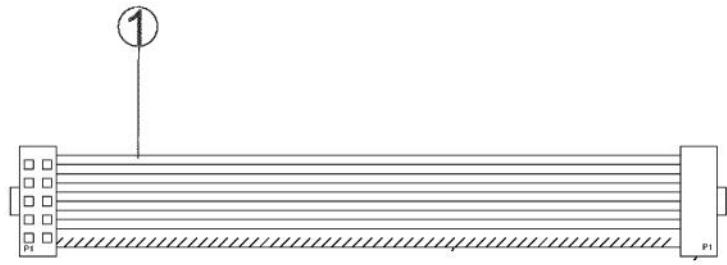


Ref #	Part Number	Qty.	Description
1	042132-2527	1	PNL, CTRL, VDR736, W/GRAPHICS ASSY
2	027968-000	3	INDICATOR, LIGHT, BLUE
3	048309-000	8	BZL, KNOB
4	044512-000	6	BEARING, BEZEL, ASM
5	PD020073	2	SRW NO.10 X 24 X 3/8 WAFER HD TYPE23
6	PD020269	2	NO.8 PAN HEAD SCREW
7	PD020046	6	NO.8 X 1/2 SCREWS
8	042558-000	6	KNOB, ASSY, BURNER
9	042560-000	1	KNOB, ASSY, T`STAT, OVEN, D/F
10	042561-000	1	KNOB, ASSY, SELECTOR, D/F
11	028312-000	3	WIRE, ELECTRODE,IRIS,REAR?
12	028324-000	3	WIRE, ELECTRODE,IRIS,FRONT?
13	G32014020	1	CONVECTION FAN ASSY
14	PJ010047	1	CONVECTION ELEMENT
15	018607-000	1	FAN,BLO, 220-240V 50/60HZ ASSY
16	048347-000	1	SWITCH, SPDT, DOOR, STRAIGHT TABS
17	036047-000	2	CAPACITOR, CONV MOTOR, INTL
18	038417-000	1	EOC4 POWER SUPPLY BOARD, CB
19	046141-000	1	PCBA, EOC4 WITH LED HEADER
20	PE050206	1	RTD THERMOSTAT PROBE
21	020403-000	1	BJB SLIMLINE 40W BULB
22	PE070147	1	TERMINAL BLOCK
23	043135-000	2	HOUSING, LIGHT, LED, BLUE 3.3V
24	008880-000	2	MEAT PROBE RECEPTACLE ASM
25	044195-000	1	SWITCH, PB-LT, 5WIRE, ASSY
26	005311-000	2	120V/25W HALOGEN LIGHT
27	PJ010048	1	BAKE ELEMENT
28	024040-000	1	ELEMENT, RIBBON (USE PART NO. 013930-000 IF OUT OF 0...
29	048809-000	8	LAMP, LED, 12VDC, 2.84K, WHITE, ASM?
30	045932-000	6	WASHER, ELECTRODE?
31	043067-000	3	ELECTRODE , ASM, D?
32	039293-000	1	LATCH, ELEC, 240V, ASSY
33	PA020058	6	IRIS SINGLE SPARK MODULE
34	PJ030033	1	SELECTOR (10 POS)
35	PJ030035	1	THERMOSTAT
36	043065-000	3	ELECTRODE, ASM E?
37	023022-000	1	MODEL 17 HEADER
38	PD030172	2	M8 X 1.25MM NUT
39	PD020067	8	NO.6 X 3/8 PAN PHIL. TEK SS
40	PD040164	1	5/16 INTERNAL TOOTH LOCK WASHER TYPE A
41	013930-000	1	ELEMENT, RIBBON (USE PART NO. 024040-000 IF OUT OF 0...
42	046142-000	1	CONTROL, EOC4, LED, HDR, FD SW
43	PD030149	1	5/16 NUT
44	044693-000	1	SUPPLY, POWER, AC/DC 12VDC, 15W
45	045594-000	1	SCREW, SHCS, NO.4-40 X 3/8, SS
46	045032-000	1	SWITCH, DOOR, W-CONNECTOR, ASM
47	M0211021	1	SCREW-SM
48	045548-000	30	CLIP, ROUTING, WIRE?
49	045528-000	2	STANDOFF, LOCKING CLIP
50	PD010028	1	BOLT M 4X5
51	PD020055	1	NO.10 X 1/2 PAN PHIL. TEK. SS
52	027715-000	1	WSHR, LOCK, INT TTH 5/16
53	042402-000	1	WASHER, W/ADHESIVE
54	008882-000	1	FASTENER, WSHR, LCKG, 1/4 I.D.
55	008883-000	1	FASTENER, NUT, SST, 1/4 32
56	037304-000	1	FASTENER, PNH, TORX, AB, PSVD, WAX
57	PD020006	1	NO.6-32 X 1/4 PH.PAN HD. T(F)
58	046283-000	1	SWITCH, LIGHTS, ACCENT W/CONN?
59	049463-000	1	RELAY, DPST, 30A, 120VAC, COIL
60	016021-000	1	COVER, TERM, BROILER

Ref #	Part Number	Qty.	Description
60	016021-000	1	COVER, TERM, BROILER
61	013621-000	1	BRACKET, BRL, REAR
NI	046014-000	1	DEVICE, THERMOMETER, IGRILL, RETAIL
NI	048830-000	1	KITCHEN THERMOMETER



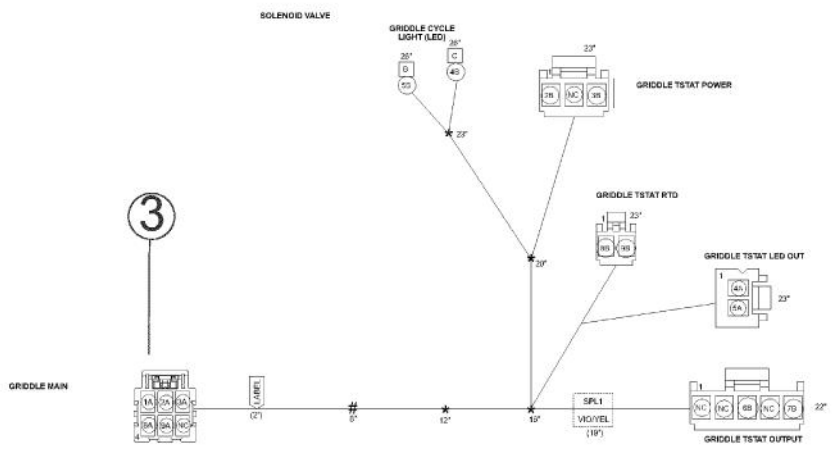
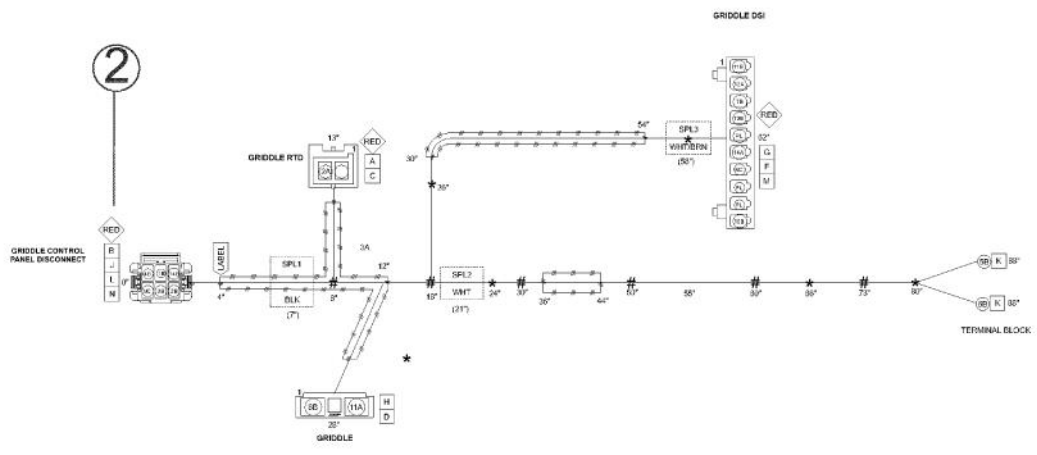
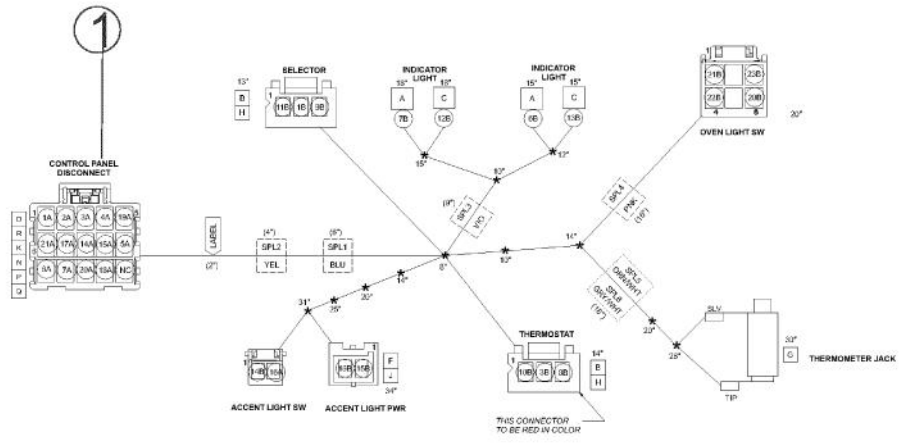
Ref #	Part Number	Qty.	Description
1	046020-000	1	PROBE, MEAT, OVEN, IGRILL, SST, 3.5MM
2	046021-000	1	CORD, ADPT, M-M, 2.5TS, 2.5TS, SST
3	049310-000	1	HARN, VGR7364G, ELECTRODE, GRIDDLE
4	038655-000	1	GRIDDLE,JUMPER,BRIGADE



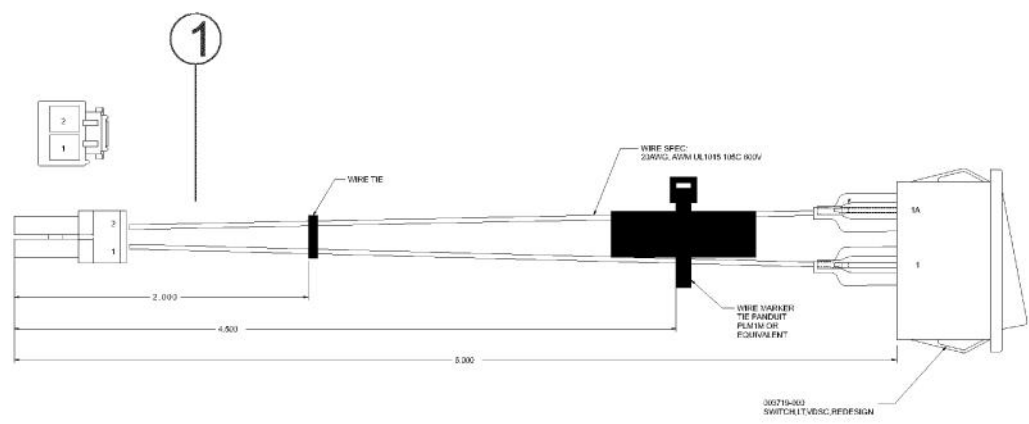
Ref #	Part Number	Qty.	Description
1	024869-000	1	RIBBON CABLE, RH
2	043994-000	1	WIRE, GROUND, 5
3	PE070739	1	BAKE ELEMENT HARNESS
4	050081-000	2	HARN, JUMPER, ADAPT CONV FAN
5	024870-000	1	RIBBON CABLE, LH



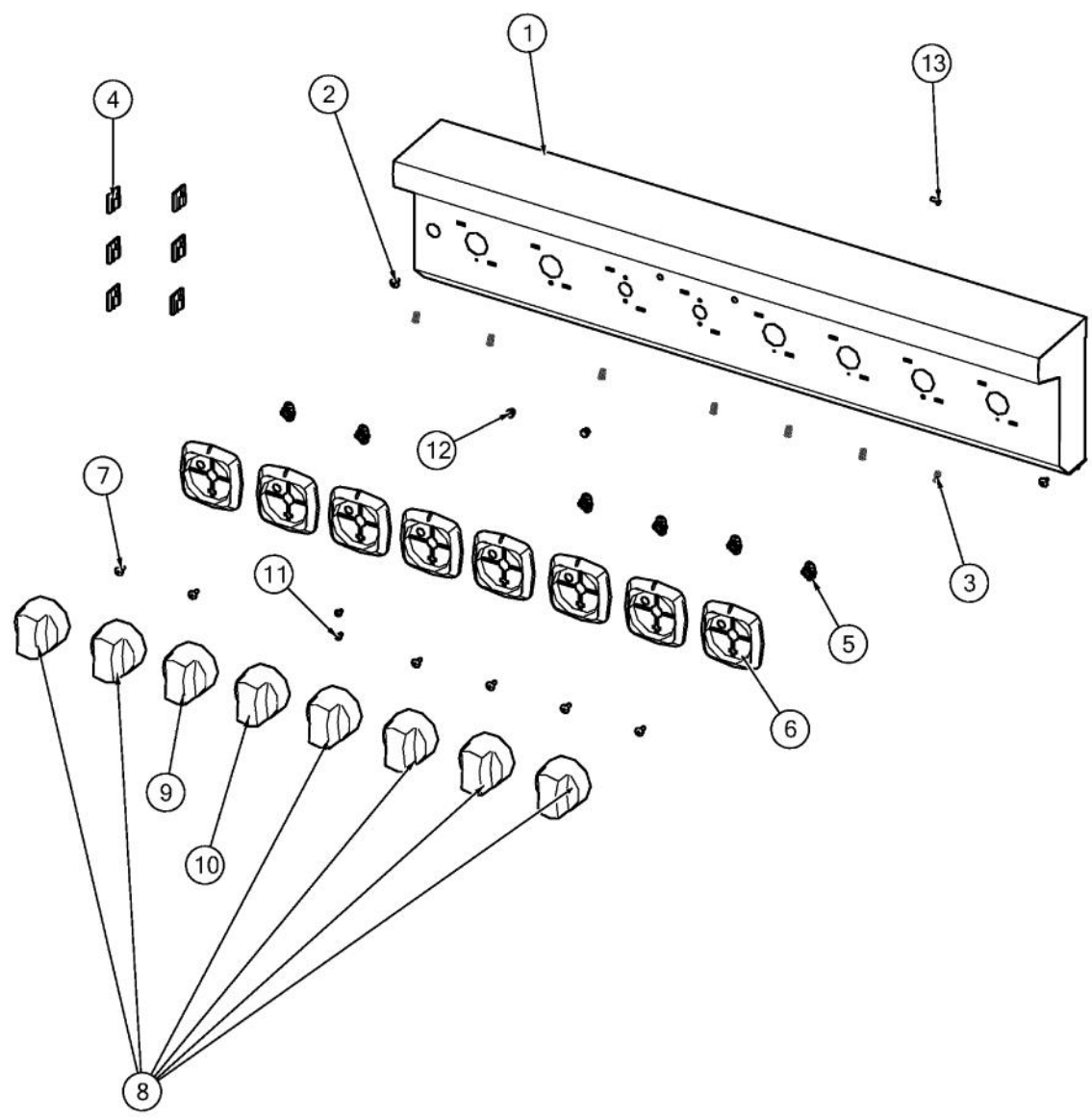
Ref #	Part Number	Qty.	Description
1	044909-000	1	HARN, VDR736, MAIN
2	051494-000	1	HARN, IRIS, 7SERIES, 36, 6B
3	045080-000	1	HARN, VDR748, CP, RH



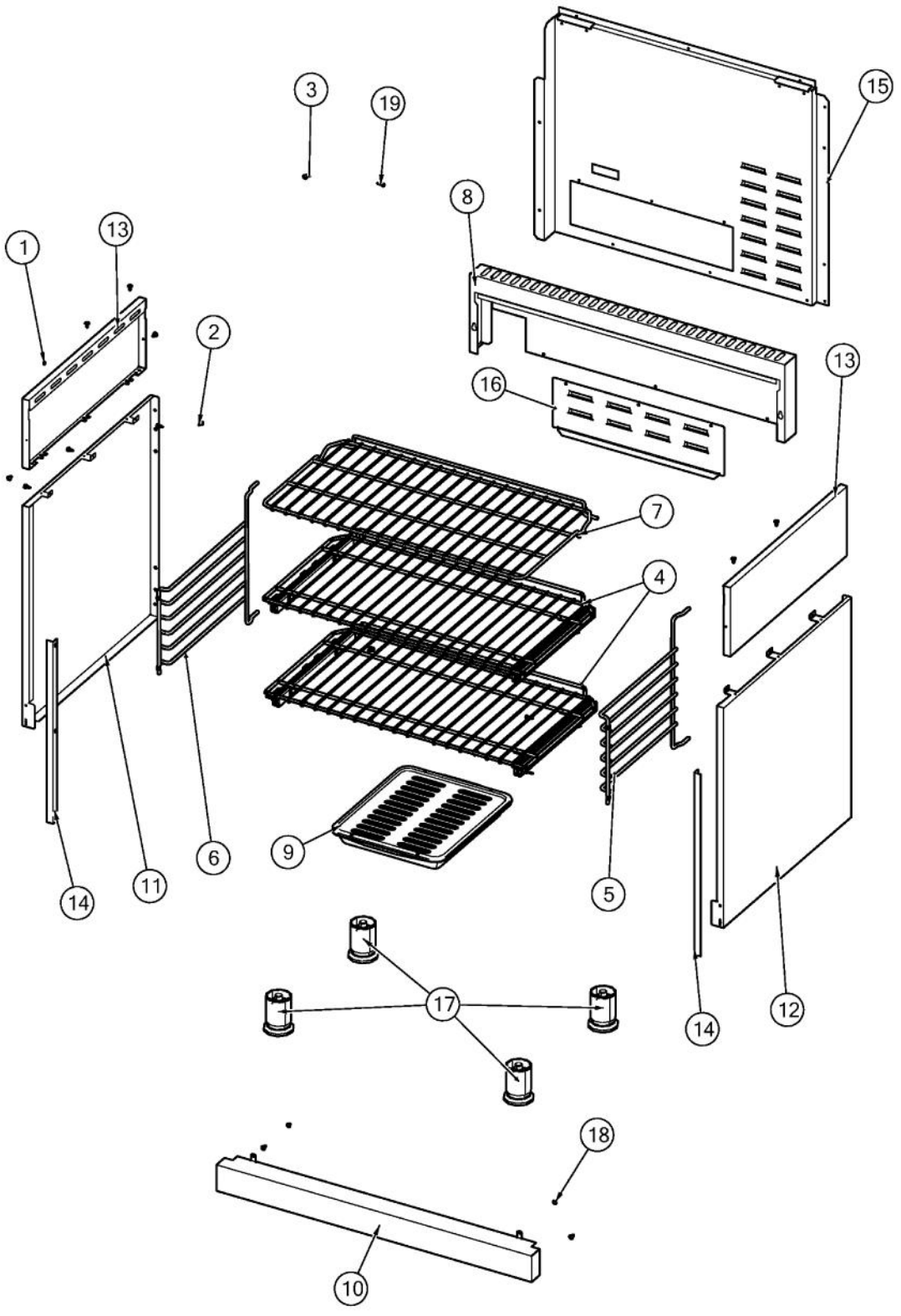
Ref #	Part Number	Qty.	Description
1	049309-000	1	HARN, VDR736, CP, RH
2	049033-000	1	HARN, GRIDDLE, VDR736, MAIN
3	049032-000	1	HARN, GRIDDLE, VDR736, CP, RH



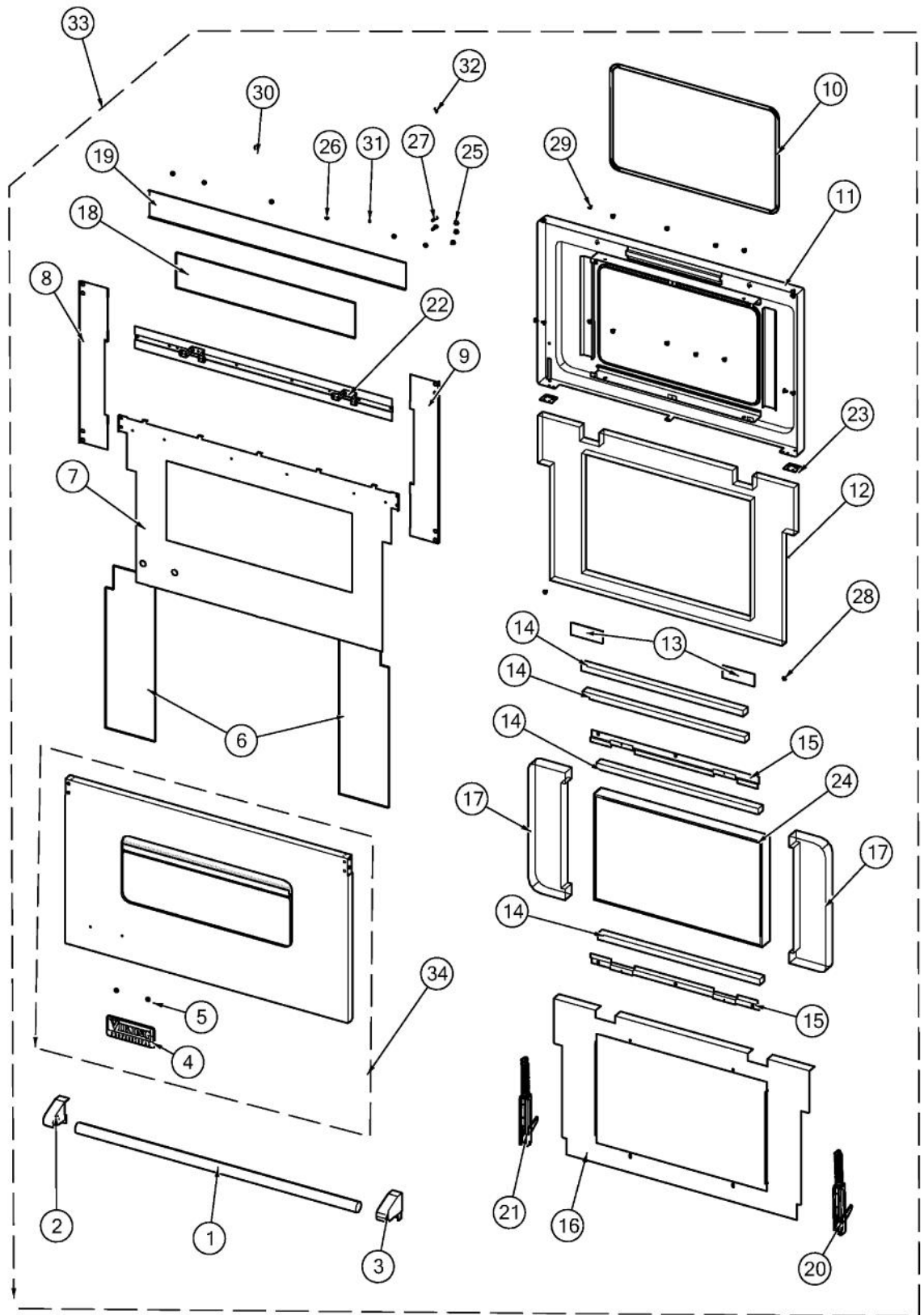
Ref #	Part Number	Qty.	Description
1	046283-000	1	SWITCH, LIGHTS, ACCENT W/CONN?
2	044607-000	1	WIRE, GROUND



Ref #	Part Number	Qty.	Description
1	042132-2527	1	PNL, CTRL, VDR736, W/GRAPHICS ASSY
2	PD020073		SRW NO.10 X 24 X 3/8 WAFER HD TYPE23
3	044937-000	7	LENS, COVER, LED, CLEAR
4	M0104106	6	CLIP-CORD VM0104106
5	044512-000	6	BEARING, BEZEL, ASM
6	048309-000	8	BZL, KNOB
7	PD020046		NO.8 X 1/2 SCREWS
8	042558-000	6	KNOB, ASSY, BURNER
9	042561-000	1	KNOB, ASSY, SELECTOR, D/F
10	042560-000	1	KNOB, ASSY, T`STAT, OVEN, D/F
11	PD020269		NO.8 PAN HEAD SCREW
12	027968-000	2	INDICATOR, LIGHT, BLUE
13	008863-000		SCREW NO.8 - 18 X 3/8, PHIL, LOW PROFILE TRUSS



Ref #	Part Number	Qty.	Description
1	003801-000	1	SHOULDER SCREW, NO.10
2	003860-000	1	NO.10-18 X .500 FASTNR,SCR,HXWH,STL,ZPLT
3	014143-000	1	SCR 10-12 A SHLD TRP 1/2 S ZN BLUE
4	024668-000	2	RACK PULLOUT ASM 36
5	036216-402	1	RACK,PRO,ASM,RH, BLACK
6	036220-402	1	RACK,PRO,ASM,LH, BLACK
7	041047-000	1	RACK, DF, PRO, 36
8	042117-000	1	TRIM, IS, VGR, 36?
9	042253-000	1	PAN, BROILER, PORCELAIN ASM
10	042287-000	1	KICKPLATE 36
11	042372-000	1	COVER, OS, LH SS
11	049552-024	1	COVER, OS, LH AR
11	049552-002	1	COVER, OS, LH BK
11	049552-008	1	COVER, OS, LH BU
11	049552-013	1	COVER, OS, LH CB
11	049552-005	1	COVER, OS, LH GG
11	049552-006	1	COVER, OS, LH WH
12	042375-000	1	COVER, OS, RH SS
12	049551-024	1	COVER, OS, RH AR
12	049551-002	1	COVER, OS, RH BK
12	049551-008	1	COVER, OS, RH BU
12	049551-013	1	COVER, OS, RH CB
12	049551-005	1	COVER, OS, RH GG
12	049551-006	1	COVER, OS, RH WH
13	042404-000	2	COVER, OS, RH/LH UPPER?
14	047777-000	2	TRIM, FRAME, SIDE
15	048808-000	1	COVER, BACK, 36
16	048836-000	1	COVER, PNL, ACCESS
17	PC030031	4	ADJUSTABLE LEG
18	PD020032	1	SRW-8(A)X3/8PH.WFR HD 7/16DIAXNICL
19	PD020232	1	NO.8 X 3/4 PH PAN HEAD TEK SCREW (BLACK OXIDE)



Ref #	Part Number	Qty.	Description
1	006080-000	1	36 DOOR HANDLE, SST
2	003011-000	1	DOOR HANDLE ENDCAP ASSY, LH (CHROME)
3	003012-000	1	DOOR HANDLE ENDCAP ASSY, RH (CHROME)
4	PE010030	1	LOGO, 6, PRO, BK
5	PD030006	2	CAPPED WASHER PAL NUT
6	006086-000	2	DOOR, SKIN, INSULATION, SIDE, 36
7	006084-000	1	DOOR SKIN INSULATION RETAINER, 36
8	009427-000	1	BRACKET, DOOR, LH, VDSC18, SKIN
9	009428-000	1	BRACKET, DOOR, RH, VDSC18, SKIN
10	000594-066	1	BLACK FIBERGLASS ROPE 3/8
11	048957-402	1	LINER, DOOR, WLD, ASSY 36 BK
12	024492-000	1	INSULATION, DOOR LINER, 36
13	013567-000	2	DOOR BRACKET INSULATION
14	013547-000	4	BAKE ELEMENT INSULATION
15	004153-000	2	DOOR GLASS HOLDER BRACKET
16	006076-000	1	DOOR LINER INSULATION RETAINER, 36
17	024489-000	2	INSULATION, DOOR PLUG, 36
18	006788-000	1	INSULATION,DOOR,TOP,SUPERWOOL,.25,VDSC530
19	006082-000	1	DOOR SKIN HEAT SINK, 36
20	046544-000	1	HINGE, NUOVA STAR, RH, GREEN
21	046545-000	1	HINGE, NUOVA STAR, LH, GREEN
22	006089-000	1	DOOR SKIN MTG BRACKET ASSY, 36
23	048954-000	2	SHIM, HINGE, DF
24	PE060094	1	30 WINDOW PACK
25	004907-000	4	STEEL FINISHING PLUG, NICKEL PLTD 25/64 HOLE
26	PD030010		NO.10-24 KEPS NUT
27	002736-000		NO.10-32 PAN HEAD PHILLIPS MACHINE SCREW
28	PD020032		SRW-8(A)X3/8PH.WFR HD 7/16DIAXNICL
29	PD020063		SCREW-NO.8(A) X 3/8PH WFR HD/BK OXID
30	PD020033		SRW-NO.10-24X1/2T(23)PH.WFR HD (NKL)
31	PD020073		SRW NO.10 X 24 X 3/8 WAFER HD TYPE23
32	004526-000		FASTENER,SCR,TPGS,TRH,PHLP,NO.10-1/2
33	048959-000	1	DOOR ASSEMBLY- SS, 36 - SS
33	051468-024	1	DOOR ASSEMBLY- SS, 36 - AR
33	051468-002	1	DOOR ASSEMBLY- SS, 36 - BK
33	051468-008	1	DOOR ASSEMBLY- SS, 36 - BU
33	051468-013	1	DOOR ASSEMBLY- SS, 36 - CB
33	051468-005	1	DOOR ASSEMBLY- SS, 36 - GG
33	051468-006	1	DOOR ASSEMBLY- SS, 36 - WH
34	048955-000	1	DOOR, OS, KIT, 36 ASM - SS
34	009852-024	1	DOOR SKIN ASM - AR, 36
34	009852-002	1	DOOR SKIN ASM - BK, 36 NOT FIELD REPLACEABLE
34	009852-008	1	DOOR SKIN ASM - BU, 36
34	009852-013	1	DOOR SKIN ASM - CB, 36
34	009852-005	1	DOOR SKIN ASM - CG, 36
34	009852-006	1	DOOR SKIN ASM - WH, 36