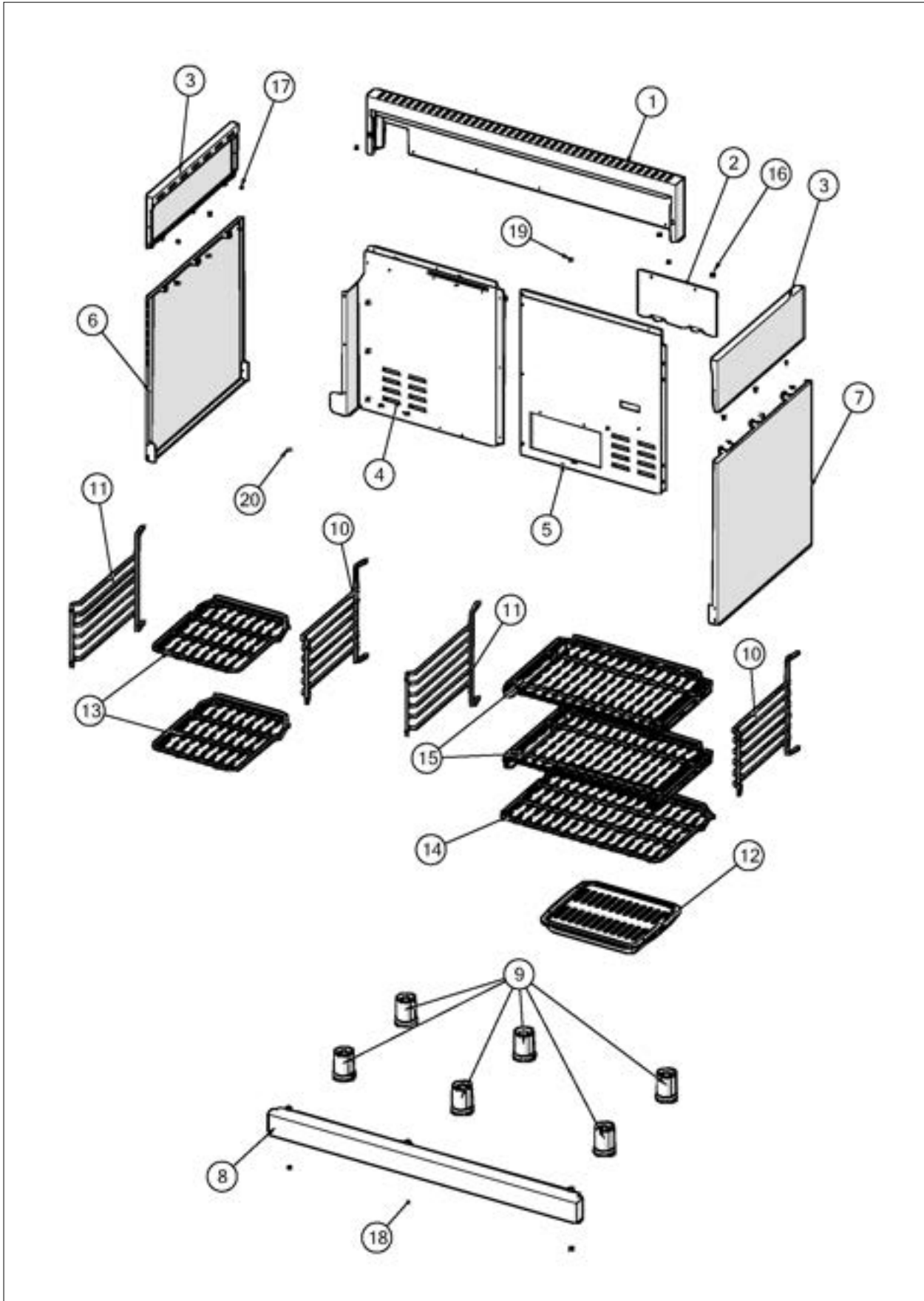


VDR7486GSS01

VDR7486GSS01 Decor	1
VDR7486GSS01 Control	2
VDR7486GSS01 Electrical-3	3
VDR7486GSS01 Electrical-2	4
VDR7486GSS01 Electrical-1	5
VDR7486GSS01 Gas	6
VDR7486GSS01 Surface	7
VDR7486GSS01 Base	8
RH DOOR	9
LH DOOR	10
Appendix A:Pages Index	A
Appendix B:Parts Index	B

VDR7486GSS01 Decor





Item	Part No.	Name	Qty	Uom	NOTES
1	042797-000	TRIM, IS, VGR, 48"	1	EA	
2	047823-000	BACK, COVER ACCESS DOOR	1	EA	
3	052892-000	COVER, OS, RH/LH UPPER	2	EA	
4	047814-000	COVER, BACK, 18"	1	EA	
5	048627-000	COVER, BACK, 30"	1	EA	
6	047730-000	COVER, OS, LH	1	EA	
6	049552-024	COVER, OS, LH, DECARB AR	1	EA	
6	049552-002	COVER, OS, LH, DECARB BK	1	EA	
6	049552-008	COVER, OS, LH, DECARB BU	1	EA	
6	049552-013	COVER, OS, LH, DECARB CB	1	EA	
6	049552-051	COVER, OS, LH CN	1	EA	
6	049552-052	COVER, OS, LH DJ	1	EA	
6	049552-005	COVER, OS, LH, DECARB GG	1	EA	
6	049552-022	COVER, OS, LH SG	1	EA	
6	049552-012	COVER, OS, LH VB	1	EA	
6	049552-006	COVER, OS, LH, DECARB WH	1	EA	
6	049552-054	COVER, OS, LH WS	1	EA	
7	042375-000	COVER, OS, RH	1	EA	
7	049551-024	COVER, OS, RH, DECARB AR	1	EA	
7	049551-002	COVER, OS, RH, DECARB BK	1	EA	
7	049551-008	COVER, OS, RH, DECARB BU	1	EA	
7	049551-013	COVER, OS, RH, DECARB CB	1	EA	
7	049551-051	COVER, OS, RH CN	1	EA	
7	049551-052	COVER, OS, RH DJ	1	EA	
7	049551-005	COVER, OS, RH, DECARB GG	1	EA	
7	049551-022	COVER, OS, RH SG	1	EA	
7	049551-012	COVER, OS, RH VB	1	EA	
7	049551-006	COVER, OS, RH, DECARB WH	1	EA	
7	049551-054	COVER, OS, RH WS	1	EA	
8	047732-000	KICKPLATE, RNG	1	EA	
8	049738-024	KICKPLATE, RNG AR	1	EA	Not available online / Call for pricing and availability

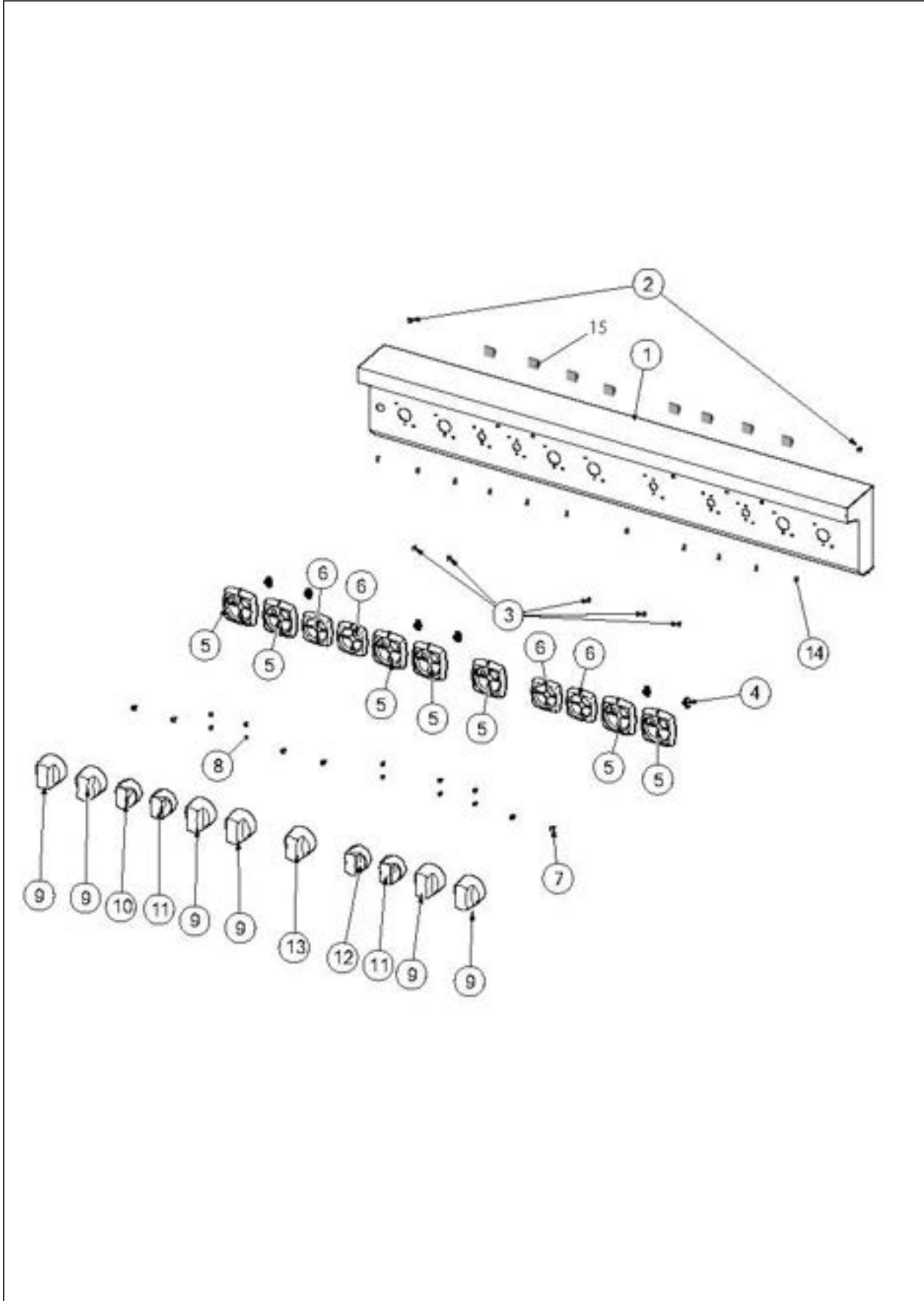


Item	Part No.	Name	Qty	Uom	NOTES
8	049738-002	KICKPLATE, RNG BK	1	EA	
8	049738-008	KICKPLATE, RNG BU	1	EA	
8	049738-013	KICKPLATE, RNG CB	1	EA	
8	049738-051	KICKPLATE, RNG CN	1	EA	Not available online / Call for pricing and availability
8	049738-052	KICKPLATE, RNG DJ	1	EA	Not available online / Call for pricing and availability
8	049738-005	KICKPLATE, RNG GG	1	EA	Not available online / Call for pricing and availability
8	049738-022	KICKPLATE, RNG SG	1	EA	Not available online / Call for pricing and availability
8	049738-012	KICKPLATE, RNG VB	1	EA	Not available online / Call for pricing and availability
8	049738-006	KICKPLATE, RNG WH	1	EA	Not available online / Call for pricing and availability
8	049738-054	KICKPLATE, RNG WS	1	EA	Not available online / Call for pricing and availability
9	044178-000	RANGE, LEG, ADJUSTABLE	6	EA	
10	066226-402	RACK SUPPORT, D3, ASM, RH, BK	2	EA	
11	066227-402	RACK SUPPORT, D3, ASM, LH, BK	2	EA	
12	042253-000	PAN, BROILER, PORCELAIN ASM	1	EA	
13	006379-000	OVEN,RACK,ASM,VDSC18"	2	EA	
14	041046-000	RACK, DF, PRO, 30"	1	EA	
15	024102-000	PULLOUT RACK, 30"	2	EA	
16	003860-000	10-18 x .500 FASTNR,SCR,HXWH,STL,ZPLT		EA	
17	003801-000	SHOULDER SCREW, #10		EA	
18	PD020032	SRW-8(A)X3/8"PH.WFR HD 7/16DIA*NICL		EA	



Item	Part No.	Name	Qty	Uom	NOTES
19	014143-000	SCR 10-12 A SHLD TRP 1/2 S ZN BLUE		EA	
20	PD020232	#8 X 3/4" PH PAN HEAD TEK SCREW (BLACK OXIDE)		EA	

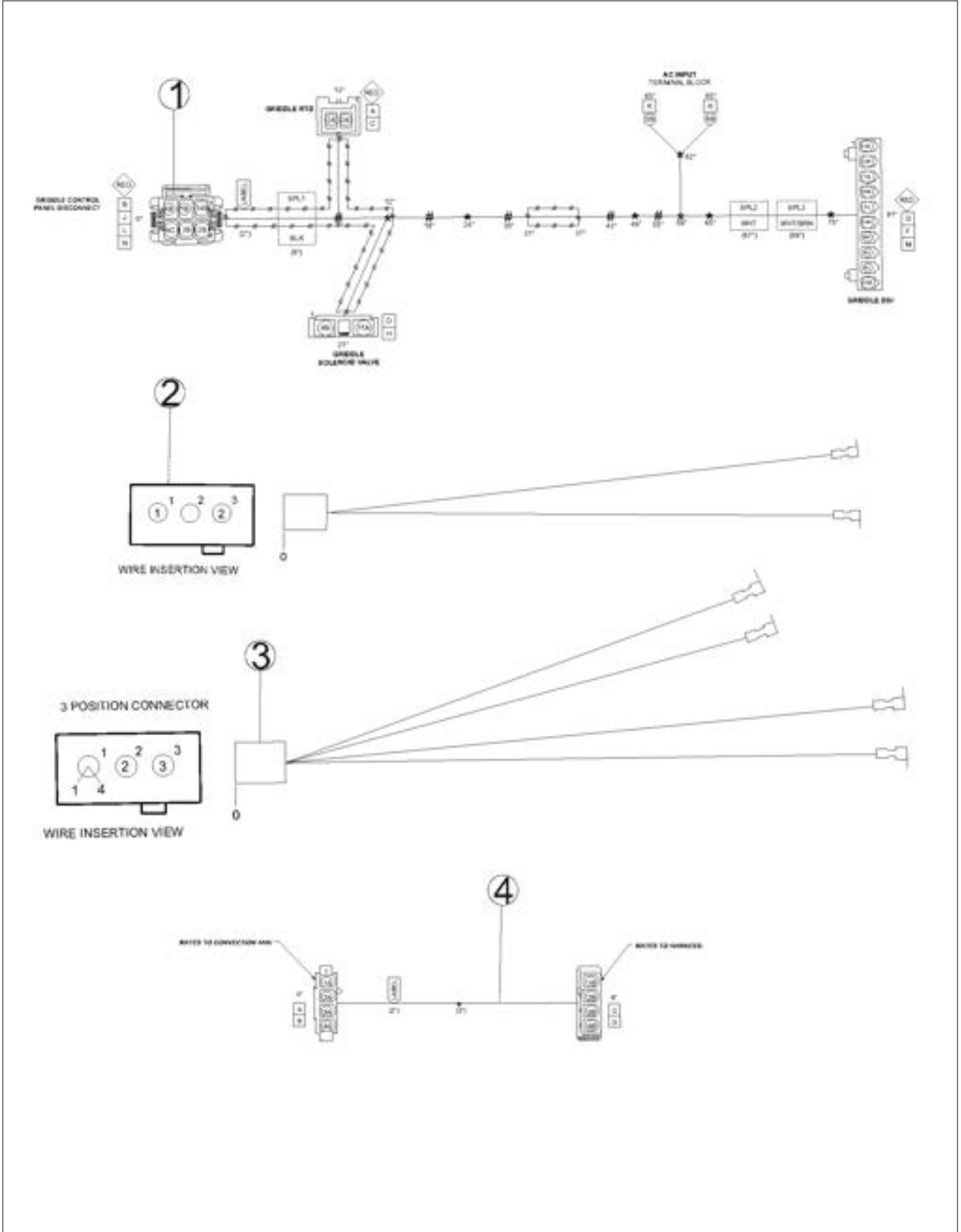
VDR7486GSS01 Control





Item	Part No.	Name	Qty	Uom	NOTES
1	048862-2668	PNL, CTRL, VDR748, GRIDDLE, W/GRAPHICS ASSY	1	EA	
Not Shown	NOTE	(MUST ORDER ITEM 15 WHEN REPLACING CONTROL PANEL)		EA	
2	PD020032	SRW-8(A)X3/8"PH.WFR HD 7/16DIA*NICL	2	EA	
3	027968-000	INDICATOR, LIGHT, BLUE	5	EA	
4	044512-000	BEARING, BEZEL, ASM	6	EA	
5	048309-000	BZL, KNOB	7	EA	
6	048326-000	BZL, KNOB	4	EA	
7	PD020046	' #8 X 1/2 SCREWS	6	EA	
8	PD020269	#8 PAN HEAD SCREW	10	EA	
9	042558-000	KNOB, ASSY, BURNER	6	EA	
10	042771-000	KNOB, ASSY, SELECTOR, OVEN, LH, D/F	1	EA	
11	044588-000	KNOB, SELECTOR, OVEN, DUAL FUEL	2	EA	
12	044587-000	KNOB, THERMOSTAT, OVEN, DUAL FUEL	1	EA	
13	045725-000	KNOB, THERMOSTAT, GRIDDLE ASSY	1	EA	
14	044937-000	LENS, COVER, LED, CLEAR	11	EA	
15	M0104106	CLIP-CORD VM0104106	8	EA	

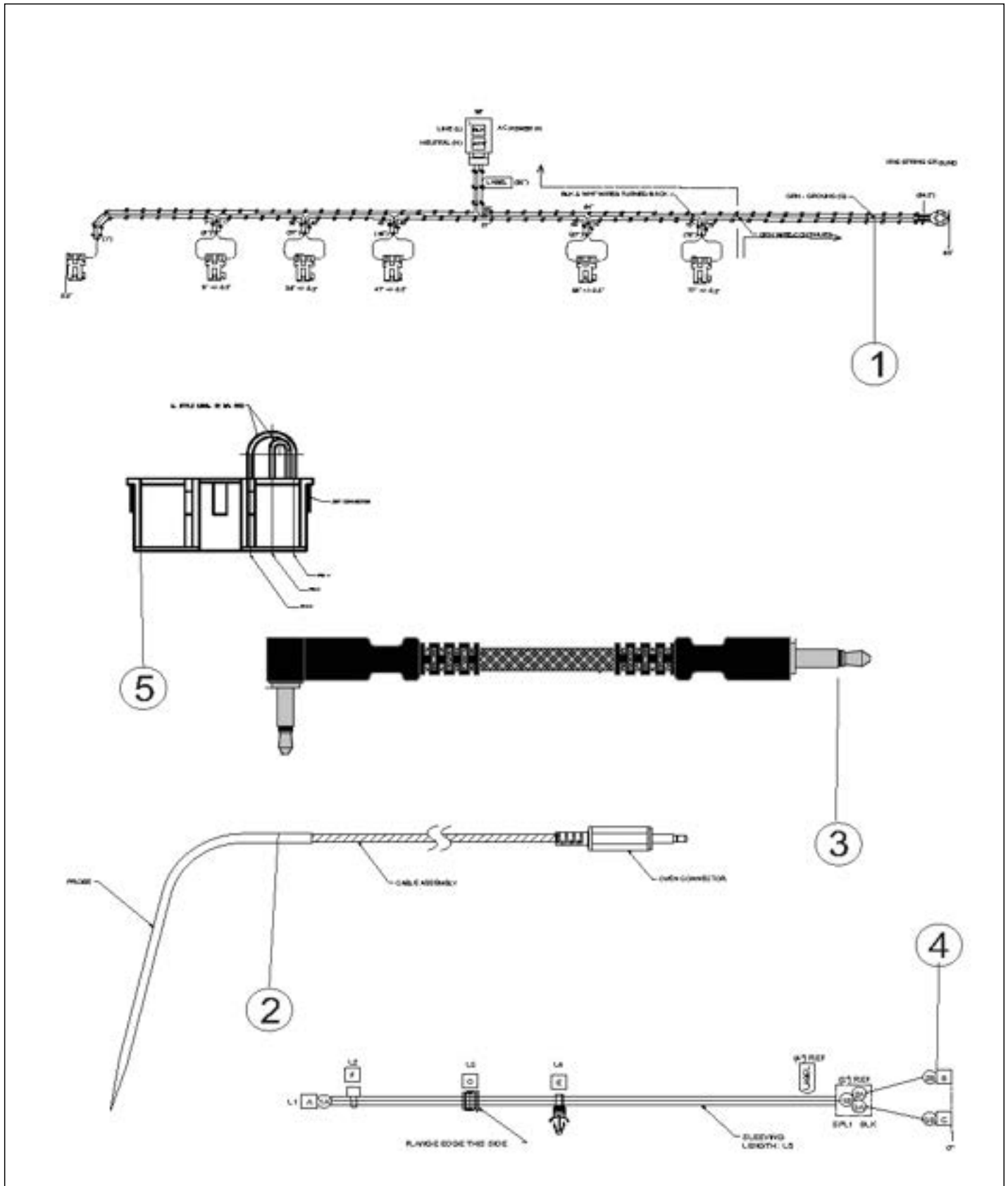
VDR7486GSS01 Electrical-3





Item	Part No.	Name	Qty	Uom	NOTES
1	049431-000	HARN, GRIDDLE, VDR748, MAIN, RH	1	EA	
2	013406-000	HARNESS, BAKE, ELEMENT, VDSC18"	1	EA	
3	PE070739	BAKE ELEMENT HARNESS	1	EA	
4	050081-000	HARN, JUMPER, ADAPT CONV FAN	2	EA	

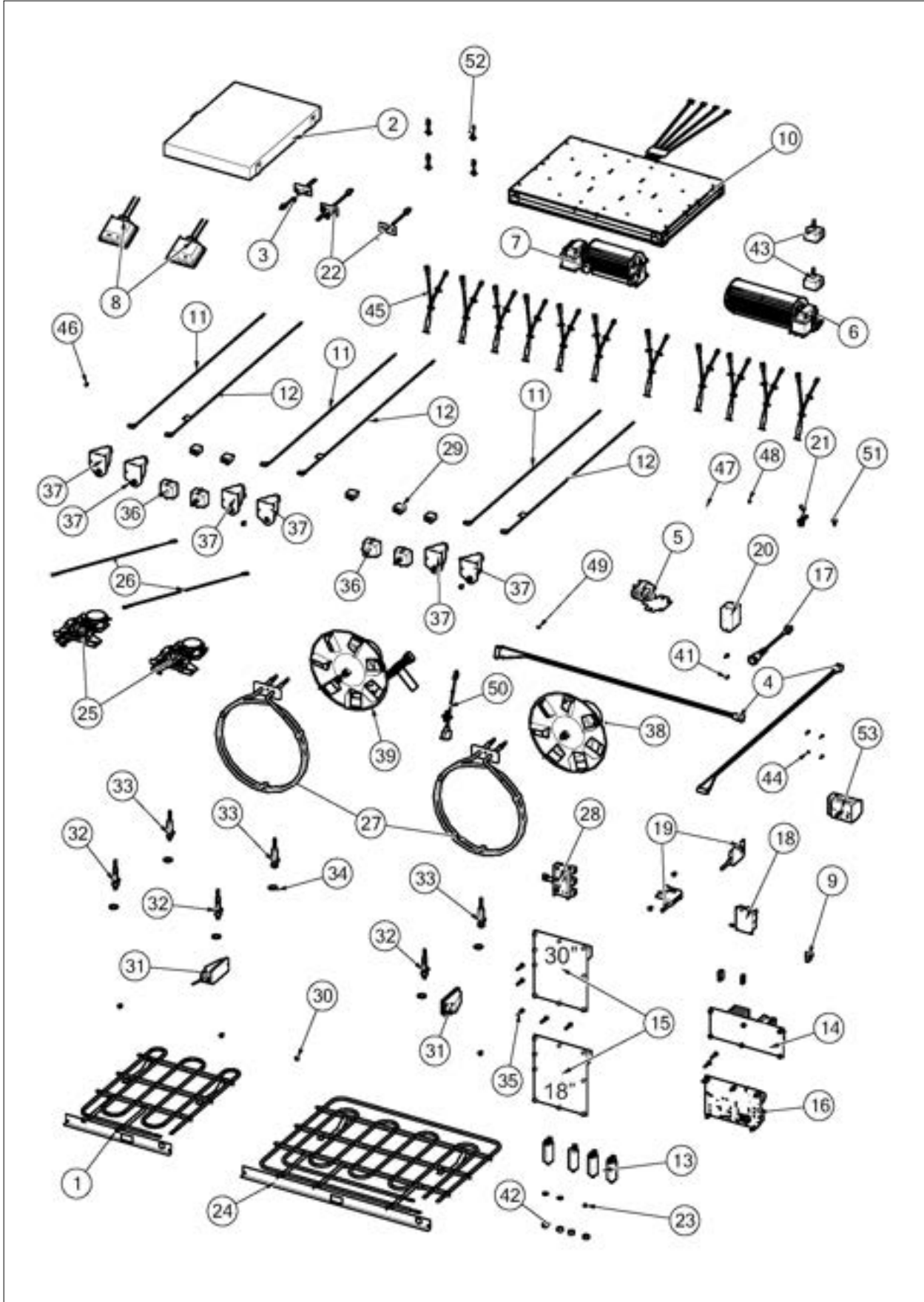
VDR7486GSS01 Electrical-2





Item	Part No.	Name	Qty	Uom	NOTES
1	049047-000	HARN, IRIS, 48, 6G, W/CONN	1	EA	
2	046020-000	PROBE, MEAT, OVEN, IGRILL, SST, 3.5MM	1	EA	
3	046021-000	CORD, ADPT, M-M, 2.5TS, 2.5TS, SST	1	EA	
4	049310-642	HARN, VGR, ELEC, GRID, 42" & FAMILY	1	EA	
5	038655-000	GRIDDLE,JUMPER,BRIGADE	1	EA	

VDR7486GSS01 Electrical-1





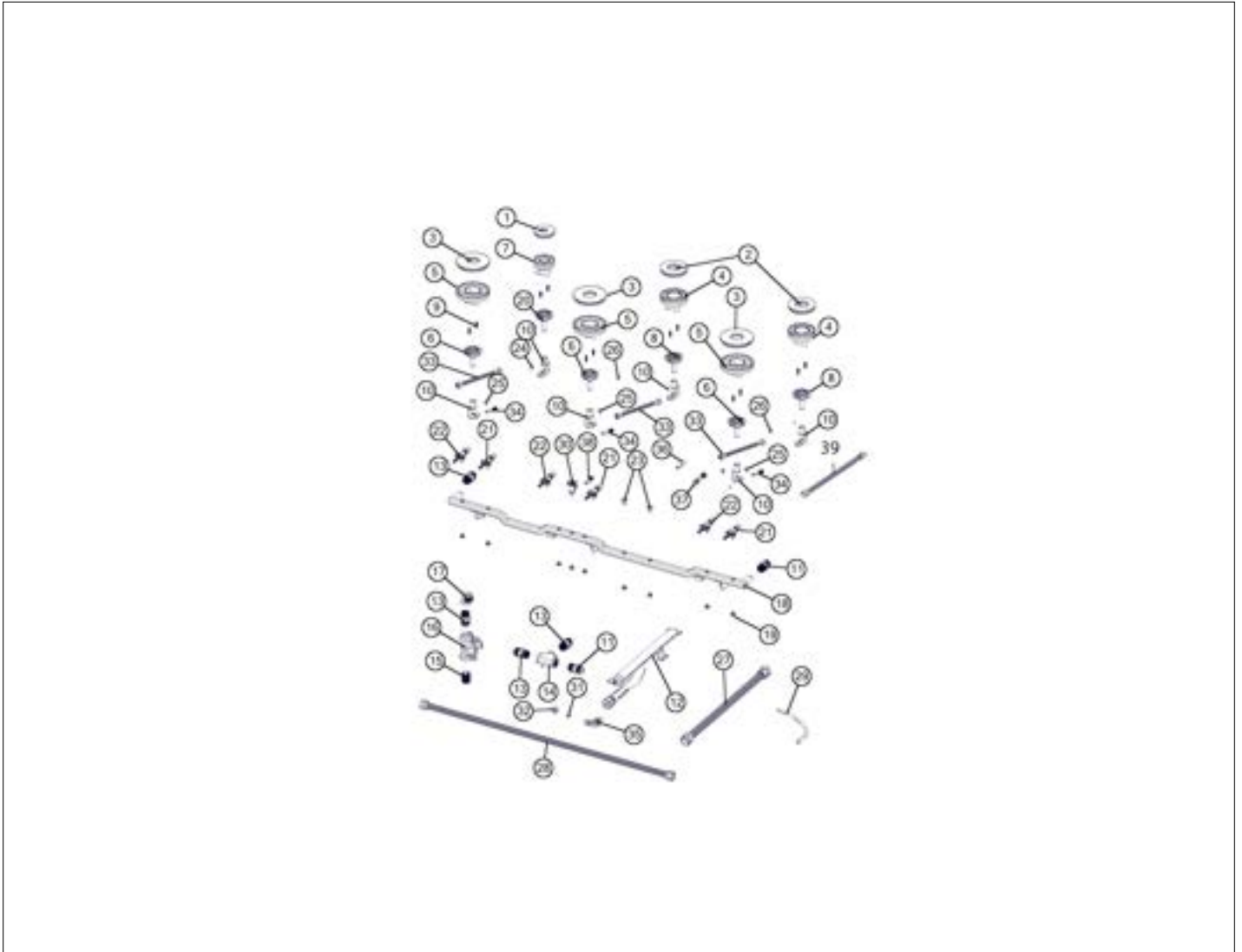
Item	Part No.	Name	Qty	Uom	NOTES
1	006166-000	ELEMENT, BAKE, VDSC18"	1	EA	
2	006380-000	ELEMENT, GLASS, BROILER, 18"	1	EA	
3	007008-000	RTD PROBE	1	EA	
4	008880-000	MEAT PROBE RECEPTACLE ASM	2	EA	
5	009111-000	VALVE, SOL, SINGLE	1	EA	
6	079169-000	FAN, COOLING, DUAL, 230V, 60 X 180mm	1	each	
7	018608-000	FAN, BLO, 220-240V 50/60Hz ASM (MT1712)	1	EA	
8	068038-601	ASM, OVEN, LIGHT, 120V, 40W (REPLACEMENT LAMP USE 078926-000)	2	EA	
9	023024-000	HARN, HEADER, MODEL 16 (SEE MODEL_HEADER)	1	EA	
10	057872-000	ELEMENT, BRL, ASM	1	EA	
<p>Comments for Part Num. 057872-000</p> <p>gboltz@VikingRange.com on Aug 17, 2018</p> <p>When replacing the Ceramaspeed Broiler element (024040-000) with the EGO element, the original rear broiler bracket will need to be replaced with a replacement rear bracket, (013621-000) and a cover (016021-000)</p>					
11	028312-000	WIRE, ELECTRODE,IRIS,REAR	3	EA	
12	028324-000	WIRE, ELECTRODE,IRIS,FRONT	3	EA	
13	036047-000	CAPACITOR, CONV MOTOR, INTL	4	EA	
14	038417-000	EOC4 POWER SUPPLY BOARD, CB	1	EA	
15	046142-571	CONTROL, EOC4, LED, V39/V51 & FAMILY	2	EA	
16	043453-000	MODULE, DSI	1	EA	
17	044195-000	SWITCH, PB-LT, 5WIRE, ASSY	1	EA	
18	044693-000	SUPPLY, POWER, AC/DC 12VDC, 15W	1	EA	
19	048347-000	SWITCH, SPDT, DOOR, STRAIGHT TABS	2	EA	
20	049463-000	RELAY, DPST, 30A, 120VAC, COIL	1	EA	
21	PA020028	SPARK IGNITER	1	EA	



Item	Part No.	Name	Qty	Uom	NOTES
22	PE050206	RTD THERMOSTAT PROBE	2	EA	
23	PD040164	5/16 INTERNAL TOOTH LOCK WASHER TYPE A	4	EA	
24	PJ010048	BAKE ELEMENT	1	EA	
25	039293-000	LATCH, ELEC, 240V, ASSY	2	EA	
26	044607-000	WIRE, GROUND	2	EA	
27	PJ010047	CONVECTION ELEMENT	2	EA	
28	PE070147	TERMINAL BLOCK (VDSC)	1	EA	
29	043135-000	HOUSING, LIGHT, LED, BLUE, 3.3V	5	EA	
30	037304-000	FASTENER, PNH, TORX, AB, PSVD, WAX	1	EA	
31	068653-601	LIGHT, 120V/25W, G9, HALOGEN, SIDE	2	EA	
32	066809-000	ELECTRODE, ASM E	3	EA	
33	066808-000	ELECTRODE , ASM, D	3	EA	
34	045932-000	WASHER, ELECTRODE	6	EA	
35	M0211021	SCREW-SM	1	EA	
36	PJ030033	SELECTOR (10 POS)	2	EA	
37	035795-000	MODULE, IGN, GAS,SNGL	6	EA	
38	G32014020	CONVECTION FAN ASSY	1	EA	
39	076194-000	ASM, FAN, CONVECTION	1	EA	
41	PD020067	#6 X 3/8" PAN PHIL. TEK *SS*	1	EA	
42	PD030172	M8 X 1.25MM NUT	4	EA	
43	PJ030035	THERMOSTAT	2	EA	
44	045594-000	SCREW, SHCS, NO.4-40 X 3/8, SS	1	EA	
45	048809-000	LAMP, LED, 12VDC, 2.84K, WHT HS, ASM & FAMILY	11	EA	
46	042402-000	WASHER, W/ADHESIVE	2	EA	
47	008882-000	FASTENER, WSHR, LCKG, 1/4 I.D.	1	EA	
48	008883-000	FASTENER, NUT, SST, 1/4 32	1	EA	
49	PD020006	' #6-32 X 1/4" PH.PAN HD. T(F)	1	EA	
50	046283-000	SWITCH, LIGHTS, ACCENT W/CONN	1	EA	



Item	Part No.	Name	Qty	Uom	NOTES
51	003860-000	10-18 x .500 FASTNR,SCR,HXWH,STL,ZPLT	1	EA	
52	045528-000	STANDOFF, LOCKING CLIP	4	EA	
53	013213-000	TSTAT, SMPS, ELEC, 2-POS, .91" SHAFT, CB	2	EA	
NI	049430-000	HARN, GRIDDLE, VDR748, MAIN, LH	1	EA	Not available online / Call for pricing and availability
NI	049032-000	HARN, GRIDDLE, VDR736, CP, RH	1	EA	Not available online / Call for pricing and availability
NI	049432-000	HARN, GRIDDLE, VDR748, CP, LH	1	EA	Not available online / Call for pricing and availability
NI	048831-000	KITCHEN THERMOMETER P/N 1KT002 VIKING OVERLAY	1	EA	
NI	009645-000	MODEL HEADER 11	1	EA	



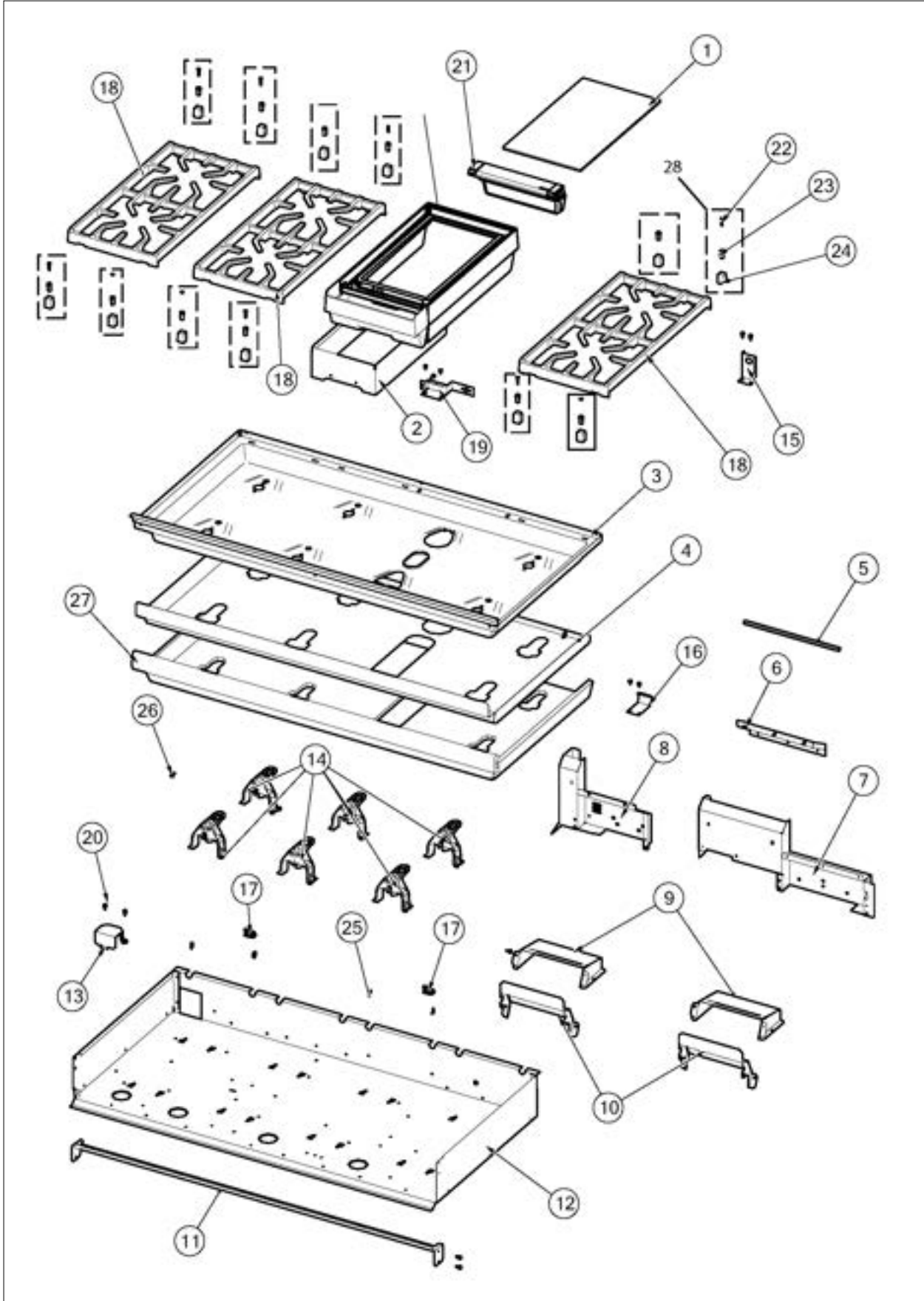


Item	Part No.	Name	Qty	Uom	NOTES
1	043791-000	BURNER, HEAD, BRS, C-SIZE	1	EA	
2	066169-000	BURNER, HEAD, D	2	EA	
3	066172-000	BURNER, HEAD, E	3	EA	
4	066105-000	BASE, BNR, D	2	EA	
5	053357-000	BASE, BNR, E-SIZE	3	EA	
6	067030-000	VENTURI, E NAT, FLANGE, BNR	3	EA	
6	067031-000	VENTURI, E LP, FLANGE, BNR - LP	3	EA	
7	043790-000	BURNER, BASE, C-SIZE	1	EA	
8	066171-000	VENTURI, D NAT, D LP, FLANGE, BNR	2	EA	
9	046964-000	SCREW, 10-32 X 3/4", CTSK, BLACK		EA	
10	063295-000	HOLDER, JET, BURNER	6	EA	
11	044824-000	FITTING, ADAPTOR, 1/2" FLEX TUBING	2	EA	
12	046133-000	BURNER, GRIDDLE, 700- SERIES	1	EA	
13	044321-000	FITTING, ADAPTOR, 3/4" FLEX TUBING	4	EA	
14	044323-000	TEE, PIPE, 3/4	1	EA	
15	044322-000	NIPPLE, CLOSE, 3/4" NPTM TO 3/4" NPTM	1	EA	
16	046119-000	PRESSURE REGULATOR (NAT)	1	EA	
16	046120-000	REGULATOR, PRSS, 3/4" INLET, 3/4" OUTLET (LP)	1	EA	
17	044325-000	ELBOW, 90 DEG STREET, 3/4" NPT	1	EA	
18	056463-000	MANIFOLD, GRIDDLE, GAS, 48", ASM	1	EA	
19	PD010012	VALVE BOLT 1/4-20 UNC-2B 5/16" M.S.	18	EA	
20	044686-000	VENTURI, C NAT, C LP, FLANGE, BNR	1	EA	
21	061225-000	VALVE, GAS, C & D-BNR, NAT	3	EA	
21	061227-000	VALVE, GAS, C & D-BNR, LP	3	EA	
22	061224-000	VALVE, GAS, E-BNR, NAT	3	EA	
22	061226-000	VALVE, GAS, E-BNR, LP	3	EA	



Item	Part No.	Name	Qty	Uom	NOTES
23	002884-000	MANIFOLD PLUG	2	EA	
24	044688-000	ORIFICE, BNR, STD, 1.22MM	1	EA	
24	044820-000	ORIFICE, BNR, STD, .813MM	1	EA	
25	043675-000	ORIFICE, BNR, STD, 2.18MM	3	EA	
25	043679-000	ORIFICE, BNR, STD, 1.32MM	3	EA	
26	046184-000	ORIFICE, BNR, STD, 1.70MM	2	EA	
26	043680-000	ORIFICE, BNR, STD, 1.07MM	2	EA	
27	046399-000	TUBING, 3/4 FLEX, SST, 20	1	EA	
28	044832-000	TUBING, 1/2 FLEX, SST, 38	1	EA	
29	PB020116	TUBING - 10" FLEXIBLE 12 & 24"	1	EA	
30	007147-000	SHUT OFF VALVE	1	EA	
31	PB040192	3/8" CC FERREL (DGCU)	1	EA	
32	PB040213	3/8" COMPRESSION NUT (DGCU)	1	EA	
33	PB020198	20" FLEX TUBING	3	EA	
34	PB020191	15" FLEX TUBE	3	EA	
35	PB040190	90 DEGREE ORIFICE FITTING #50 NAT	1	EA	
35	048026-000	90 DEG ORIFICE FITTING (1.15MM)	1	EA	
36	PB020126	3/8" S.S. FLEX TUBING 15" (DGCU)	1	EA	
37	PB040050	3/8" CC MALE COMP. FITTING W/FERRULE	2	EA	
38	PB020127	3/8" S.S. FLEX TUBING 20" (DGCU)	1	EA	
39	044310-000	TUBING, 3/4" FLEX, SST, 13"	1	EA	

VDR7486GSS01 Surface



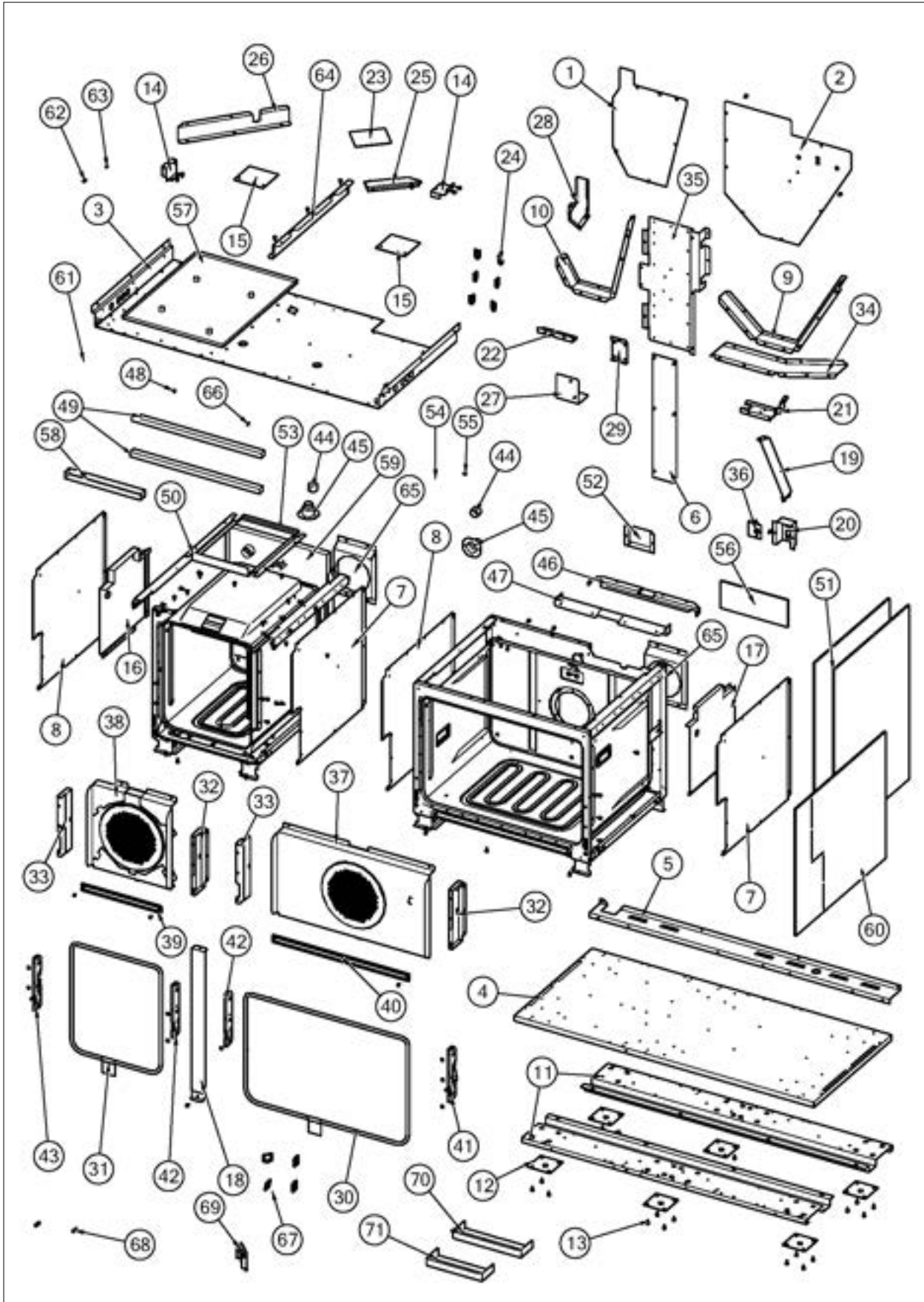


Item	Part No.	Name	Qty	Uom	NOTES
1	044873-000	PLATE, 10", GRIDDLE.	1	EA	
2	046854-000	SHIELD, HEAT	1	EA	
3	049053-402	PAN, BNR, SHIM, ASM, BLK, 48" GRIDDLE	1	EA	
4	049749-000	TRAY, INSULATION, BURNER PAN, GRIDDLE, 48"	1	EA	
5	028325-200	ADHESIVE GASKET, 1/4" X 3/8"	1	EA	
6	047816-000	DIVERTER, WATER, DUMP	1	EA	
7	043851-000	DUCT, RH, ADJUSTABLE, DIVERTER, AIR	1	EA	
8	043861-000	DUCT, LH, ADJUSTABLE, DIVERTER, AIR	1	EA	
9	049753-000	SHIELD, HEAT, HARNESS, BTM	2	EA	
10	049964-000	SHIELD, HEAT, HARNESS, TOP	2	EA	
11	049728-000	BRACKET, MTG, 48" CONTROL PANEL	1	EA	
12	043766-000	BOX, BNR, 48"	1	EA	
13	048188-000	BRACKET, TEE, PIPE	1	EA	
14	066170-000	SUPPORT, HLDR, JET	6	EA	
15	045888-000	BRKT, GRDL	1	EA	
16	045840-000	BURNER, HOLDER, REAR	1	EA	
17	045548-000	CLIP, ROUTING, WIRE	2	EA	
18	042545-000	GRATE, CAST, 12"	3	EA	
19	045843-000	BRKT, BURNER, SPT	1	EA	
20	003860-000	10-18 x .500 FASTNR,SCR,HXWH,STL,ZPLT	1	EA	
21	066839-000	TROUGH, GRS, GRIDDLE, ASM	1	EA	
22	049534-000	SCREW, 8-32 X 3/4, PHIL, FLAT	12	EA	
Not Shown	NOTE	(MUST ORDER ITEM 28)		EA	
23	046873-000	SILENCER, GRATE	12	EA	
Not Shown	NOTE	(MUST ORDER ITEM 28)		EA	
24	042410-000	SUPPORT, GRATE	12	EA	
Not Shown	NOTE	(MUST ORDER ITEM 28)		EA	
25	050610-000	SADDLE, WIRE, EDGE, .46 X .29	8	EA	



Item	Part No.	Name	Qty	Uom	NOTES
26	PD020068	' #10 - 32 X 1/2"TRUSS. PHIL. M.*SS*	1	EA	
27	049776-000	INSULATION, LINER, GRIDDLE, BURNER PAN, 48"	1	EA	
28	058147-000	GRATE, LEG, ASSY, PHASE 2 (BLK)	12	EA	
<p>Comments for Part Num. 058147-000</p> <p>gboltz@VikingRange.com on Jun 6, 2016 See parts bulletin 2016-03P Grate support changes</p>					
29	047069-000	BASE, SUMP, GRIDDLE, ASM.	1	EA	
NI	014143-000	SCR 10-12 A SHLD TRP 1/2 S ZN BLUE		EA	
NI	048961-000	STANDOFF, TWIST LOCK, TALL	9	EA	
NI	037304-000	FASTENER, PNH, TORX, AB, PSVD, WAX		EA	

VDR7486GSS01 Base





Item	Part No.	Name	Qty	Uom	NOTES
1	047813-000	PANEL, CVR, LH	1	EA	
2	047812-000	PANEL, CVR, RH	1	EA	
3	043765-000	PANEL, INSL, 48" TOP DF	1	EA	
4	043907-000	BASE, BOT, 48" GAS (NON-SERVICEABLE PART)	1	EA	
5	043864-000	RANGE, BASE, BACK, DF (NON-SERVICEABLE PART)	1	EA	
6	044862-000	BRKT, REAR, CAVITY, INTL	1	EA	
7	048194-000	RETAINER, INSULATION, WRAPPER, RH	2	EA	
8	048200-000	RETAINER, WRAPPER, INSULATION, LH	2	EA	
9	049784-000	BAFFLE, FAN, REAR	1	EA	
10	047806-000	BAFFLE, AIR, REAR, VDSC 18"	1	EA	
11	047055-000	BRACKET, LEG, OFFSET (NON-SERVICEABLE PART)	2	EA	
12	PC030007	LEG PLATE - 3/4" THREADED HOLE	6	EA	
13	003860-000	10-18 x .500 FASTNR,SCR,HXWH,STL,ZPLT	1	EA	
14	046065-000	BRACKET, SWITCH, OVEN LIGHT	2	EA	
15	013564-000	LOWER LATCH INSULATION	2	EA	
16	048646-000	SHIELD, DIVERTER, HEAT, LH	1	EA	
17	048962-000	SHIELD, DIVERTER, HEAT, RH	1	EA	
18	048644-000	TRIM, CTR, VDR 48"	1	EA	
19	049755-000	DIVERTER, AIR, BACK WALL, VDSC	1	EA	
20	N/P	BRKT, TEST, DF	1	EA	
Not Shown	NOTE	(NOT FIELD REPLACEABLE)		EA	
21	049785-000	BAFFLE, FAN, REAR, TOP	1	EA	
22	047841-000	BRKT, MOUNT, CAPACITOR	1	EA	
23	004285-000	INSULATION, FOIL-BACKED,4"x5"	1	EA	
24	045548-000	CLIP, ROUTING, WIRE	6	EA	
25	003333-000	DUCT, FLUE	1	EA	
26	048639-000	DIVERTER, AIR, LH	1	EA	



Item	Part No.	Name	Qty	Uom	NOTES
27	047826-000	BRKT, BASE, RETAINER, VALVE, SHUT OFF	1	EA	
28	044838-000	EXHAUST, DUCT, REAR, VDSC 18" INTL	1	EA	
29	N/P	SHELF, SUPPLY, POWER	1	EA	
Not Shown	NOTE	(NOT FIELD REPLACEABLE)		EA	
30	044796-000	GASKET, LINER, DF, ASM, 30"	1	EA	
Not Shown	NOTE	(BEFORE 09/16/14)		EA	
30	051590-000	GASKET, LINER, DF, ASM, 30"	1	EA	
Not Shown	NOTE	(ON OR AFTER 09/16/14)		EA	
31	044818-000	GASKET, LINER, DF, ASM, 18"	1	EA	
Not Shown	NOTE	(BEFORE 09/16/14)		EA	
31	051595-000	GASKET, LINER, DF, ASM, 18"	1	EA	
Not Shown	NOTE	(ON OR AFTER 09/16/14)		EA	
NI	051580-000	BRACKET, GASKET	2	EA	
32	048195-000	SHIM, SHIELD, RETAINER, RH HINGE	2	EA	
33	048199-000	SHIM, SHIELD, RETAINER, LH HINGE	2	EA	
34	047831-000	SHIELD, DIVERTER, WATER	1	EA	
35	047798-000	PNL, TRAY, MOUNT, ELECTRONICS	1	EA	
36	A2002195	POWER CORD MOUNTING BRKT (VDSC)	1	EA	
37	032857-000	BAFFLE, CNVN, ASM, D3 BLACK	1	EA	
38	006176-000	BAFFLE, CNVN, ASM, VDSC 18"	1	EA	
39	003490-000	COVER,BAKE, 18"	1	EA	
40	E9109655	BAKE TRAY COVER	1	EA	
41	054057-000	RECEIVER, HINGE, SLOW- CLOSE, DAMPENED	1	EA	
42	045060-000	RECEIVER, HINGE, SLOW- CLOSE, UNDAMPENED	2	EA	
43	057805-000	RECEIVER, HINGE, NUOVA STAR, DAMPENED	1	EA	

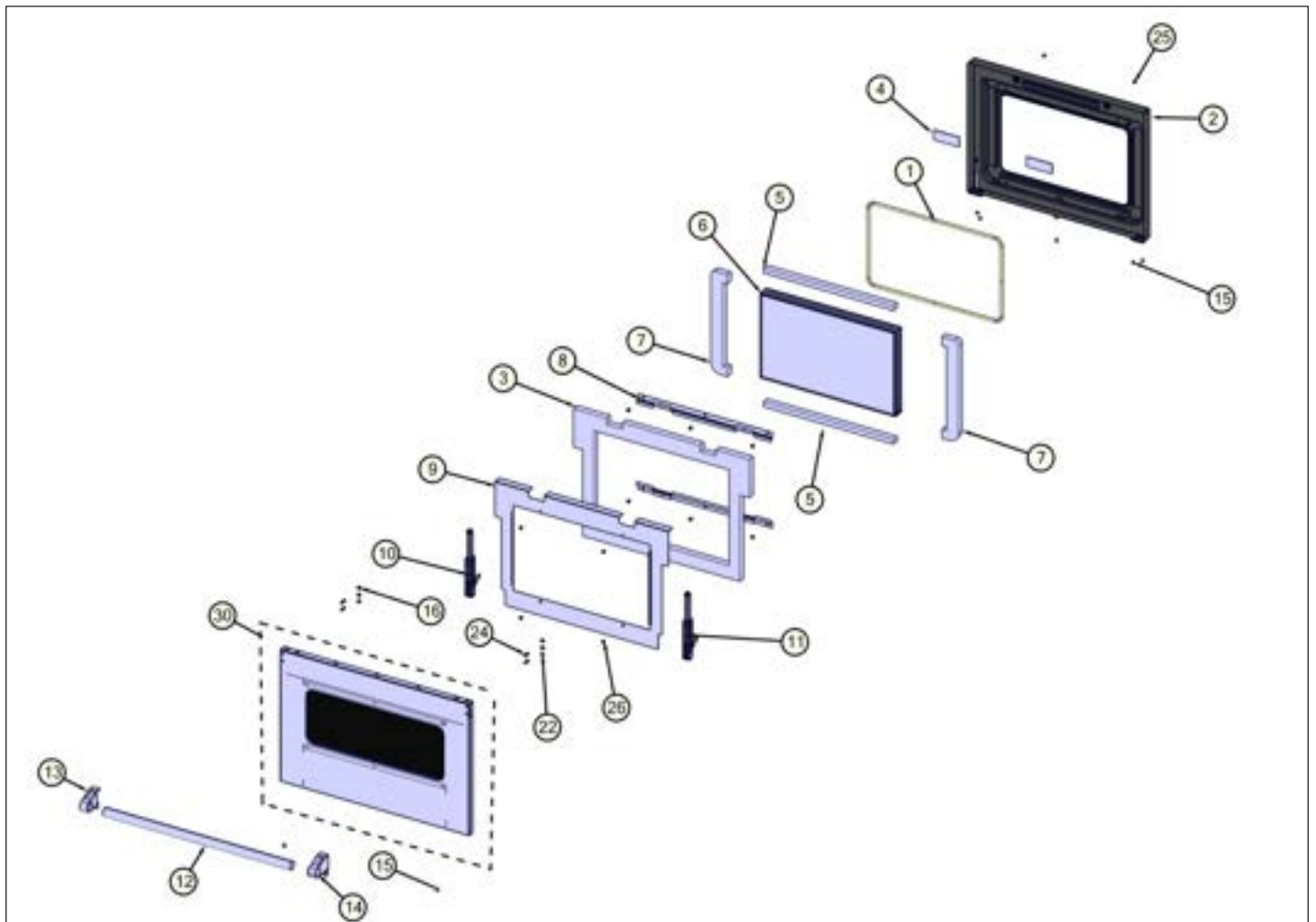


Item	Part No.	Name	Qty	Uom	NOTES
44	PB020275	VENT TUBE	2	EA	
45	PM010014	SMOKE ELIMINATOR (VDSC)	2	EA	
46	024221-000	BRACKET, BROILER, REAR	1	EA	
47	024234-000	BRACKET, BROILER, FRONT	1	EA	
48	037304-000	FASTENER, PNH, TORX, AB, PSVD, WAX	1	EA	
49	013547-000	BAKE ELEMENT INSULATION	2	EA	
50	043763-000	BRKT, TOP, WRAPPER	4	EA	
51	033588-000	INSULATION, TOP FOIL BACK	2	EA	
52	048838-000	DIVERTER, SHIELD, HEAT, DUCT	1	EA	
53	006748-000	BRACKET,SST,201HP,MILL,VD SC18",GLASS BROILER	1	EA	
54	037304-000	FASTENER, PNH, TORX, AB, PSVD, WAX	1	EA	
55	014143-000	SCR 10-12 A SHLD TRP 1/2 S ZN BLUE	1	EA	
56	006220-000	INSULATION, DOOR, SKIN, TOP, VDSC18"	1	EA	
57	017699-000	INSULATION, BAKE BOTTOM	1	EA	
58	017697-000	INSULATION, BAKE, FRONT	2	EA	
59	017701-000	INSULATION, CAVITY BACK	1	EA	
60	050302-000	INSULATION SIDE FOIL BACK	1	EA	
61	046595-000	WASHER, FIBER, BLACK	1	EA	
62	043800-000	BUMPER, RBR, BLK	1	EA	
63	046651-000	SCREW, TRILOBE, 10-32, TRUSS, PH, BLACK	1	EA	
64	043866-000	DIVERTER, AIR, DF	1	EA	
65	A2009697	BRACKET, CONVECTION INSULATION	2	EA	
66	PD020010	10 X 3/8 GREEN GROUNDING SCREW	1	EA	
67	045550-000	SADDLE, WIRE, EDGE	4	EA	
68	044044-000	GROMMET, SWITCH, DOOR, RBR	2	EA	
69	047827-000	BRKT, RETAINER, TOP, REGULATOR	2	EA	
70	049484-000	BRACKET, FILLER, BLOWER	2	EA	



Item	Part No.	Name	Qty	Uom	NOTES
71	049485-000	BRACKET, FAN, MT, BOT, VDSC 18"	1	EA	
NI	048460-000	INSULATION KIT #8	1	EA	
NI	048457-000	INSULATION KIT #10	1	EA	
NI	048458-000	INSULATION KIT #2	1	EA	

RH DOOR



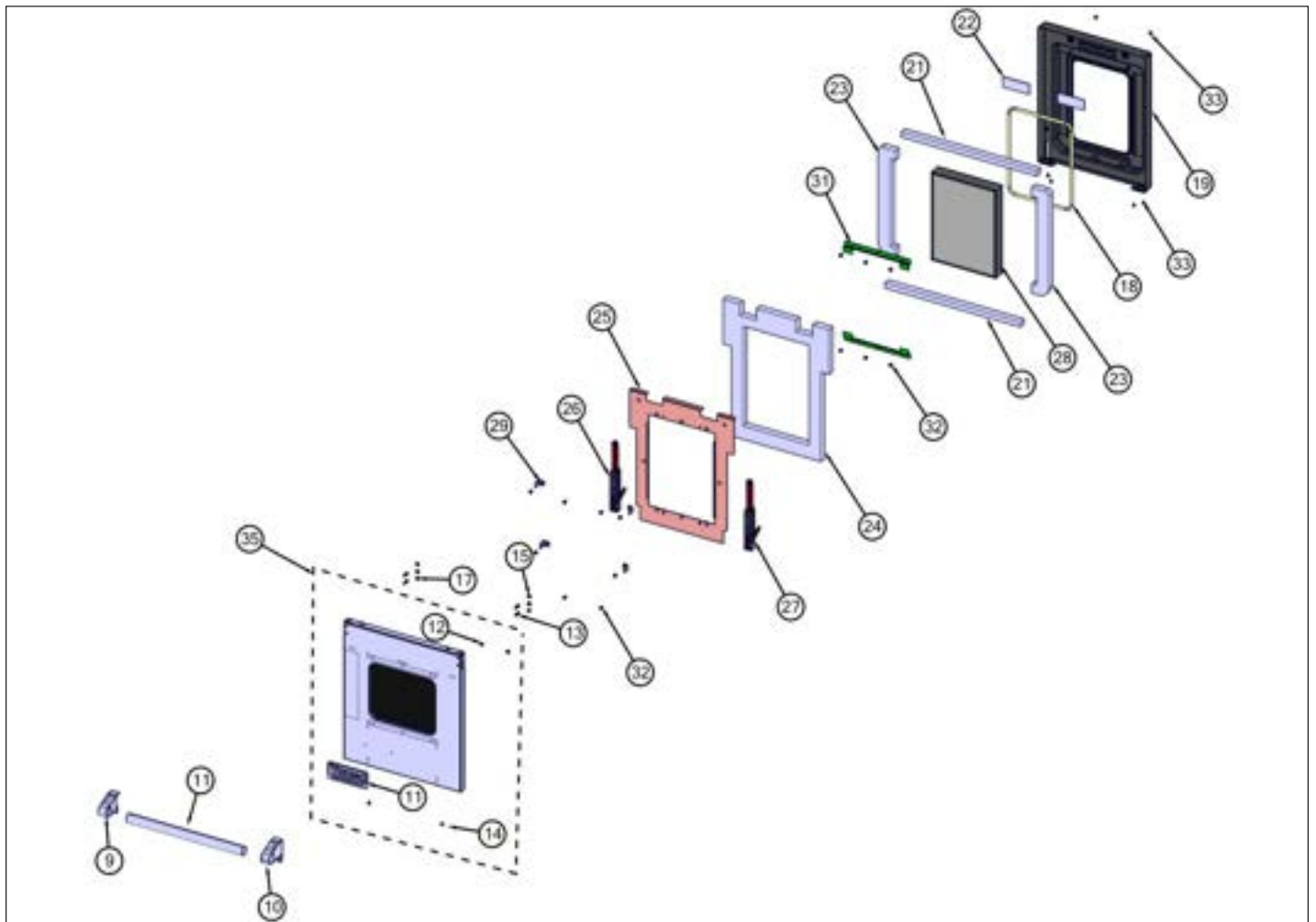


Item	Part No.	Name	Qty	Uom	NOTES
1	000594-000	BLACK FIBERGLASS ROPE 3/8"	1	EA	
2	049013-402	LINER, DOOR, WLD, ASSY 30" BK	1	EA	
3	017752-000	INSULATION, DOOR LINER	1	EA	
4	013567-000	DOOR BRACKET INSULATION	2	EA	
5	013547-000	BAKE ELEMENT INSULATION	2	EA	
6	PE060094	30" WINDOW PACK	1	EA	
7	013558-000	SIDE DOOR PLUG INSULATION	2	EA	
8	004153-000	DOOR GLASS HOLDER BRACKET	1	EA	
9	004152-000	DOOR LINER INSULATION RETAINER, 30"	1	EA	
10	046547-000	HINGE, NUOVA STAR, LH, WHITE	1	EA	
11	046546-000	HINGE, NUOVA STAR, RH, WHITE	1	EA	
12	002728-000	DOOR HANDLE - SS, 1.25" 29.5	1	EA	
13	003011-000	DOOR HANDLE ENDCAP ASSY, LH (CHROME)	1	EA	
14	003012-000	DOOR HANDLE ENDCAP ASSY, RH (CHROME)	1	EA	
15	PD020032	SRW-8(A)X3/8"PH.WFR HD 7/16DIA*NICL		EA	
16	004907-000	STEEL FINISHING PLUG, NICKEL PLTD 25/64" HOLE	4	EA	
22	PD020073	SRW #10 X 24 X 3/8 WAFER HD TYPE23		EA	
24	030823-000	#10-32 PAN HEAD PHILLIPS MACHINE SCREW	1	EA	
25	PD020063	SCREW-#8(A) X 3/8"PH WFR HD/BK OXID	1	EA	
26	004526-000	10 x 1/2 PH, NPLT, TAPPING SCREW	1	EA	
30	049011-000	DOOR, OS, KIT, 30" ASM	1	EA	
30	066953-002	DOOR, OS, KIT, DECARB, 30" ASM BK	1	EA	
30	066953-005	DOOR, OS, KIT, DECARB, 30" ASM GG	1	EA	
30	066953-006	DOOR, OS, KIT, DECARB, 30" ASM WH	1	EA	



Item	Part No.	Name	Qty	Uom	NOTES
30	066953-008	DOOR, OS, KIT, DECARB, 30" ASM BU	1	EA	
30	066953-013	DOOR, OS, KIT, DECARB, 30" ASM CB	1	EA	
30	066953-024	DOOR, OS, KIT, DECARB, 30" ASM AR	1	EA	

LH DOOR





Item	Part No.	Name	Qty	Uom	NOTES
9	003011-000	DOOR HANDLE ENDCAP ASSY, LH (CHROME)	1	EA	
10	003012-000	DOOR HANDLE ENDCAP ASSY, RH (CHROME)	1	EA	
11	006221-000	18" DOOR HANDLE, SST	1	EA	
12	PD030006	CAPPED WASHER PAL NUT	2	EA	
13	030823-000	#10-32 PAN HEAD PHILLIPS MACHINE SCREW	1	EA	
14	PD020032	SRW-8(A)X3/8"PH.WFR HD 7/16DIA*NICL	1	EA	
15	004907-000	STEEL FINISHING PLUG, NICKEL PLTD 25/64" HOLE	1	EA	
17	PD020073	SRW #10 X 24 X 3/8 WAFER HD TYPE23	1	EA	
18	000594-000	BLACK FIBERGLASS ROPE 3/8"	1	EA	
19	049018-402	LINER, DOOR, WLD, ASSY 158" BK	1	EA	
21	013547-000	BAKE ELEMENT INSULATION	2	EA	
22	013567-000	DOOR BRACKET INSULATION	2	EA	
23	013558-000	SIDE DOOR PLUG INSULATION	2	EA	
24	024494-000	INSULATION, DOOR LINER, 18"	1	EA	
25	006209-000	DOOR LINER INSULATION RETAINER, 18"	1	EA	
26	046549-000	HINGE, NUOVA STAR, LH, RED	1	EA	
27	046548-000	HINGE, NUOVA STAR, RH, RED	1	EA	
28	005300-000	GLASS, WINDOW PACK, 18"	1	EA	
29	009426-000	STANDOFF, BRACKET, DOOR, LINER, VDSC18"	3	EA	
31	006207-000	BRACKET, DOOR, FLAT	2	EA	
32	004526-000	10 x 1/2 PH, NPLT, TAPPING SCREW	1	EA	
33	PD020063	SCREW-#8(A) X 3/8"PH WFR HD/BK OXID	1	EA	
35	049016-000	DOOR, OS, KIT, 18" ASM	1	EA	
35	066956-002	DOOR SKIN ASM BK	1	EA	
35	066956-005	DOOR SKIN ASM GG	1	EA	
35	066956-006	DOOR SKIN ASM WH	1	EA	
35	066956-008	DOOR SKIN ASM BU	1	EA	



Item	Part No.	Name	Qty	Uom	NOTES
35	066956-013	DOOR SKIN ASM CB	1	EA	
35	066956-024	DOOR SKIN ASM AR	1	EA	
36	PE010030	LOGO 6" (VGRC) *BK*	1	EA	



Appendix A:Pages Index

LH DOOR 10
RH DOOR 9
VDR7486GSS01 Base 8
VDR7486GSS01 Control 2
VDR7486GSS01 Decor 1
VDR7486GSS01 Electrical-1 5
VDR7486GSS01 Electrical-2 4
VDR7486GSS01 Electrical-3 3
VDR7486GSS01 Gas 6
VDR7486GSS01 Surface 7



Appendix B:Parts Index

000594-000	9, 10	017699-000	8
002728-000	9	017701-000	8
002884-000	6	017752-000	9
003011-000	9, 10	018608-000	5
003012-000	9, 10	023024-000	5
003333-000	8	024102-000	1
003490-000	8	024221-000	8
003801-000	1	024234-000	8
003860-000	1, 5, 7, 8	024494-000	10
004152-000	9	027968-000	2
004153-000	9	028312-000	5
004285-000	8	028324-000	5
004526-000	9, 10	028325-200	7
004907-000	9, 10	030823-000	9, 10
005300-000	10	032857-000	8
006166-000	5	033588-000	8
006176-000	8	035795-000	5
006207-000	10	036047-000	5
006209-000	10	037304-000	5, 7, 8, 8
006220-000	8	038417-000	5
006221-000	10	038655-000	4
006379-000	1	039293-000	5
006380-000	5	041046-000	1
006748-000	8	042253-000	1
007008-000	5	042375-000	1
007147-000	6	042402-000	5
008880-000	5	042410-000	7
008882-000	5	042545-000	7
008883-000	5	042558-000	2
009111-000	5	042771-000	2
009426-000	10	042797-000	1
009645-000	5	043135-000	5
013213-000	5	043453-000	5
013406-000	3	043675-000	6
013547-000	8, 9, 10	043679-000	6
013558-000	9, 10	043680-000	6
013564-000	8	043763-000	8
013567-000	9, 10	043765-000	8
014143-000	1, 7, 8	043766-000	7
017697-000	8	043790-000	6
		043791-000	6



043800-000	8	046021-000	4
043851-000	7	046065-000	8
043861-000	7	046119-000	6
043864-000	8	046120-000	6
043866-000	8	046133-000	6
043907-000	8	046142-571	5
044044-000	8	046184-000	6
044178-000	1	046283-000	5
044195-000	5	046399-000	6
044310-000	6	046546-000	9
044321-000	6	046547-000	9
044322-000	6	046548-000	10
044323-000	6	046549-000	10
044325-000	6	046595-000	8
044512-000	2	046651-000	8
044587-000	2	046854-000	7
044588-000	2	046873-000	7
044607-000	5	046964-000	6
044686-000	6	047055-000	8
044688-000	6	047069-000	7
044693-000	5	047730-000	1
044796-000	8	047732-000	1
044818-000	8	047798-000	8
044820-000	6	047806-000	8
044824-000	6	047812-000	8
044832-000	6	047813-000	8
044838-000	8	047814-000	1
044862-000	8	047816-000	7
044873-000	7	047823-000	1
044937-000	2	047826-000	8
045060-000	8	047827-000	8
045528-000	5	047831-000	8
045548-000	7, 8	047841-000	8
045550-000	8	048026-000	6
045594-000	5	048188-000	7
045725-000	2	048194-000	8
045840-000	7	048195-000	8
045843-000	7	048199-000	8
045888-000	7	048200-000	8
045932-000	5	048309-000	2
046020-000	4	048326-000	2



048347-000	5	049552-005	1
048457-000	8	049552-006	1
048458-000	8	049552-008	1
048460-000	8	049552-012	1
048627-000	1	049552-013	1
048639-000	8	049552-022	1
048644-000	8	049552-024	1
048646-000	8	049552-051	1
048809-000	5	049552-052	1
048831-000	5	049552-054	1
048838-000	8	049728-000	7
048862-2668	2	049738-002	1
048961-000	7	049738-005	1
048962-000	8	049738-006	1
049011-000	9	049738-008	1
049013-402	9	049738-012	1
049016-000	10	049738-013	1
049018-402	10	049738-022	1
049032-000	5	049738-024	1
049047-000	4	049738-051	1
049053-402	7	049738-052	1
049310-642	4	049738-054	1
049430-000	5	049749-000	7
049431-000	3	049753-000	7
049432-000	5	049755-000	8
049463-000	5	049776-000	7
049484-000	8	049784-000	8
049485-000	8	049785-000	8
049534-000	7	049964-000	7
049551-002	1	050081-000	3
049551-005	1	050302-000	8
049551-006	1	050610-000	7
049551-008	1	051580-000	8
049551-012	1	051590-000	8
049551-013	1	051595-000	8
049551-022	1	052892-000	1
049551-024	1	053357-000	6
049551-051	1	054057-000	8
049551-052	1	056463-000	6
049551-054	1	057805-000	8
049552-002	1	057872-000	5



058147-000	7	PB020116	6
061224-000	6	PB020126	6
061225-000	6	PB020127	6
061226-000	6	PB020191	6
061227-000	6	PB020198	6
063295-000	6	PB020275	8
066105-000	6	PB040050	6
066169-000	6	PB040190	6
066170-000	7	PB040192	6
066171-000	6	PB040213	6
066172-000	6	PC030007	8
066226-402	1	PD010012	6
066227-402	1	PD020006	5
066808-000	5	PD020010	8
066809-000	5	PD020032	1, 2, 9, 10
066839-000	7	PD020046	2
066953-002	9	PD020063	9, 10
066953-005	9	PD020067	5
066953-006	9	PD020068	7
066953-008	9	PD020073	9, 10
066953-013	9	PD020232	1
066953-024	9	PD020269	2
066956-002	10	PD030006	10
066956-005	10	PD030172	5
066956-006	10	PD040164	5
066956-008	10	PE010030	10
066956-013	10	PE050206	5
066956-024	10	PE060094	9
067030-000	6	PE070147	5
067031-000	6	PE070739	3
068038-601	5	PJ010047	5
068653-601	5	PJ010048	5
076194-000	5	PJ030033	5
079169-000	5	PJ030035	5
A2002195	8	PM010014	8
A2009697	8		
E9109655	8		
G32014020	5		
M0104106	2		
M0211021	5		
PA020028	5		