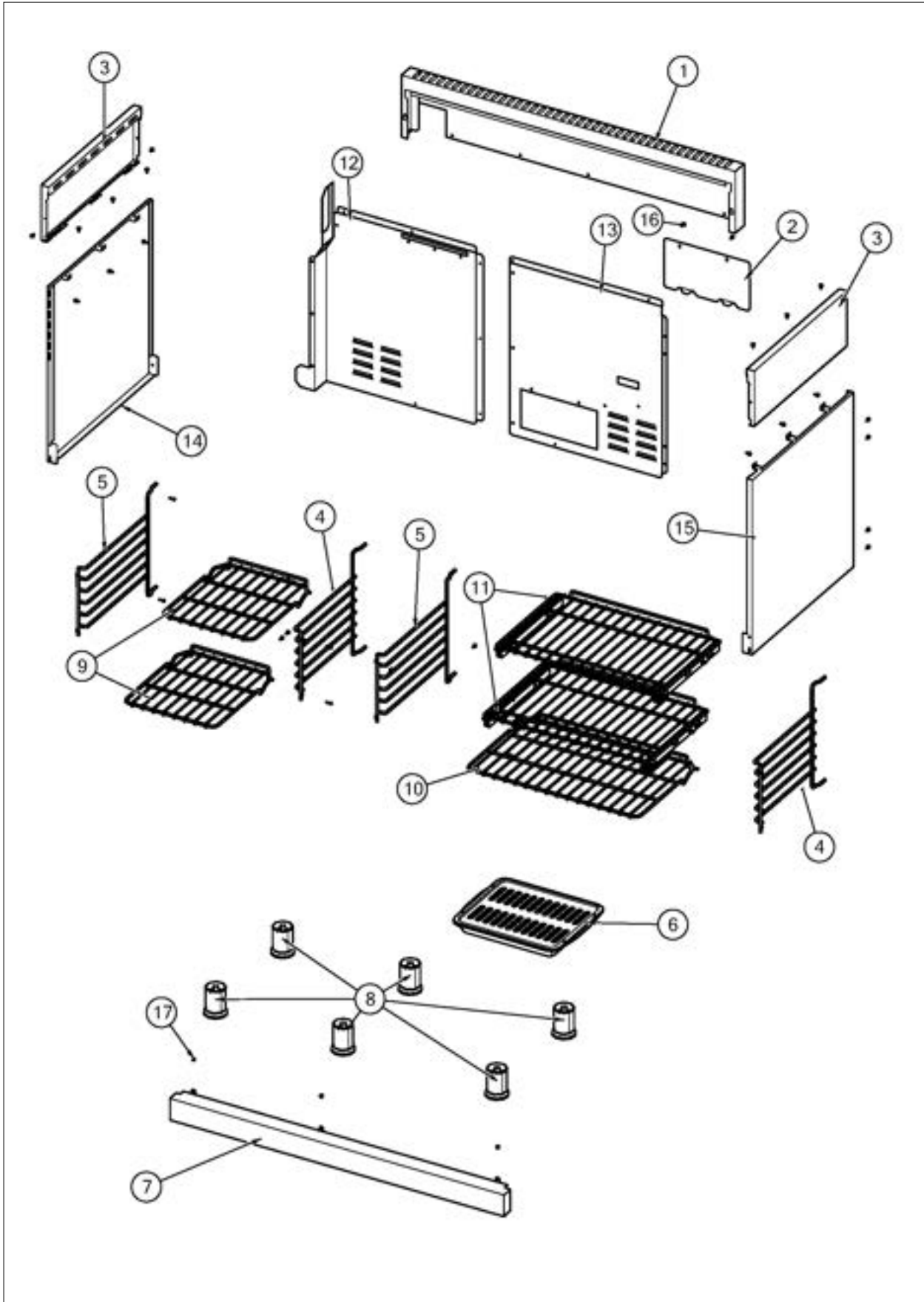


VDR7488BSS01

VDR7488BSS01 Decor	1
VDR7488BSS01 Control	2
VDR7488BSS01 Electrical-5	3
VDR7488BSS01 Electrical-4	4
VDR7488BSS01 Electrical-3	5
VDR7488BSS01 Electrical-2	6
VDR7488BSS01 Electrical-1	7
VDR7488BSS01 Surface	8
VDR7488BSS01 Base	9
VDR7488BSS01 Gas	10
RH DOOR	11
LH DOOR	12
Appendix A:Pages Index	A
Appendix B:Parts Index	B

VDR7488BSS01 Decor



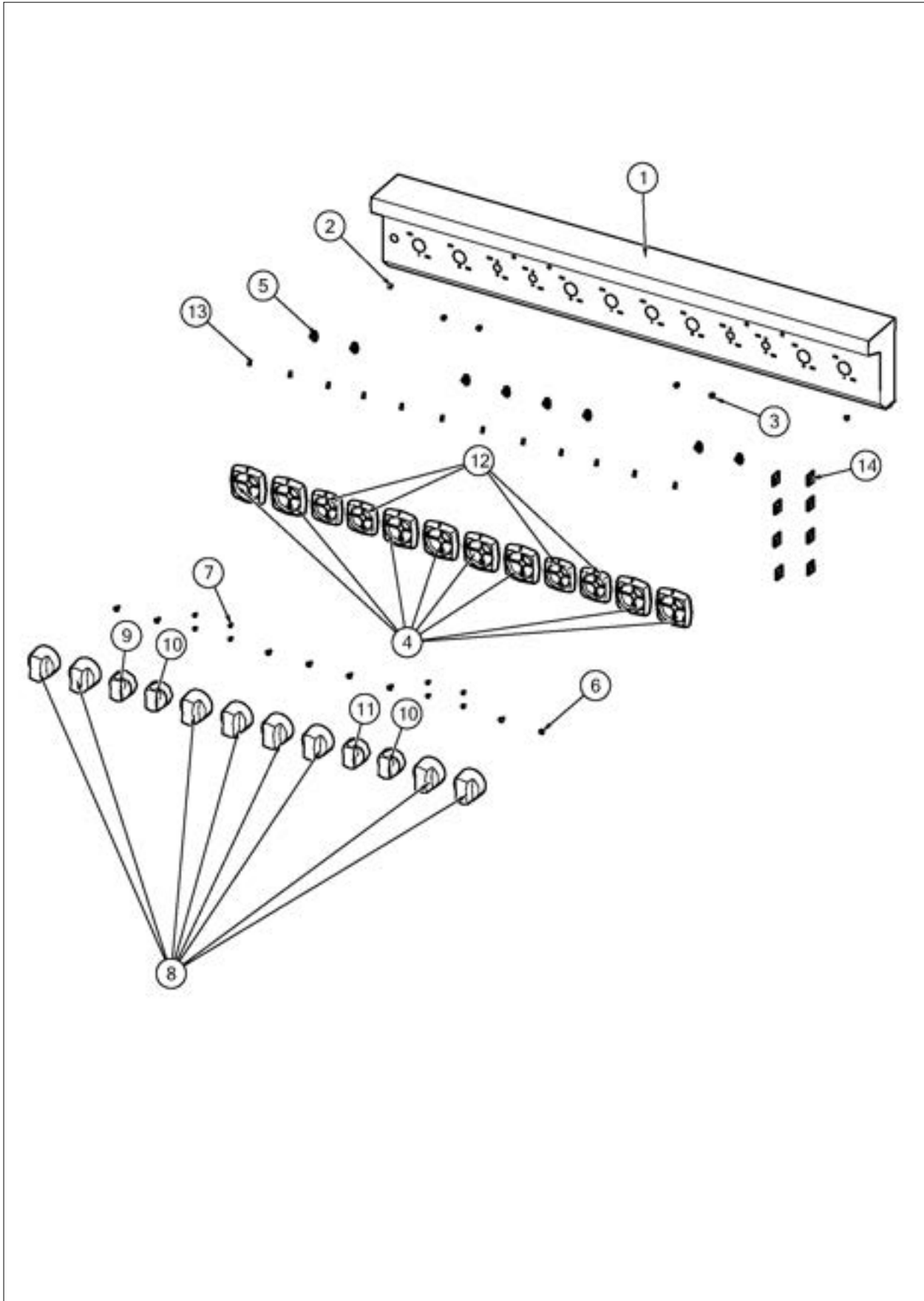


Item	Part No.	Name	Qty	Uom	NOTES
1	042797-000	TRIM, IS, VGR, 48"	1	EA	
2	047823-000	BACK, COVER ACCESS DOOR	1	EA	
3	052892-000	COVER, OS, RH/LH UPPER	2	EA	
4	066226-402	RACK SUPPORT, D3, ASM, RH, BK	2	EA	
5	066227-402	RACK SUPPORT, D3, ASM, LH, BK	2	EA	
6	042253-000	PAN, BROILER, PORCELAIN ASM	1	EA	
7	047732-000	KICKPLATE, RNG	1	EA	
7	049738-024	KICKPLATE, RNG AR	1	EA	Not available online / Call for pricing and availability
7	049738-002	KICKPLATE, RNG BK	1	EA	
7	049738-008	KICKPLATE, RNG BU	1	EA	
7	049738-013	KICKPLATE, RNG CB	1	EA	
7	049738-051	KICKPLATE, RNG CN	1	EA	Not available online / Call for pricing and availability
7	049738-052	KICKPLATE, RNG DJ	1	EA	Not available online / Call for pricing and availability
7	049738-005	KICKPLATE, RNG GG	1	EA	Not available online / Call for pricing and availability
7	049738-022	KICKPLATE, RNG SG	1	EA	Not available online / Call for pricing and availability
7	049738-012	KICKPLATE, RNG VB	1	EA	Not available online / Call for pricing and availability
7	049738-006	KICKPLATE, RNG WH	1	EA	Not available online / Call for pricing and availability
7	049738-054	KICKPLATE, RNG WS	1	EA	Not available online / Call for pricing and availability
8	044178-000	RANGE, LEG, ADJUSTABLE	6	EA	



Item	Part No.	Name	Qty	Uom	NOTES
9	006379-000	OVEN,RACK,ASM,VDSC18"	2	EA	
10	041046-000	RACK, DF, PRO, 30"	1	EA	
11	024102-000	PULLOUT RACK, 30"	2	EA	
12	047814-000	COVER, BACK, 18"	1	EA	
13	048627-000	COVER, BACK, 30"	1	EA	
14	047730-000	COVER, OS, LH	1	EA	
14	049552-024	COVER, OS, LH, DECARB AR	1	EA	
14	049552-002	COVER, OS, LH, DECARB BK	1	EA	
14	049552-008	COVER, OS, LH, DECARB BU	1	EA	
14	049552-013	COVER, OS, LH, DECARB CB	1	EA	
14	049552-051	COVER, OS, LH CN	1	EA	
14	049552-052	COVER, OS, LH DJ	1	EA	
14	049552-005	COVER, OS, LH, DECARB GG	1	EA	
14	049552-022	COVER, OS, LH SG	1	EA	
14	049552-012	COVER, OS, LH VB	1	EA	
14	049552-006	COVER, OS, LH, DECARB WH	1	EA	
14	049552-054	COVER, OS, LH WS	1	EA	
15	042375-000	COVER, OS, RH	1	EA	
15	049551-024	COVER, OS, RH, DECARB AR	1	EA	
15	049551-002	COVER, OS, RH, DECARB BK	1	EA	
15	049551-008	COVER, OS, RH, DECARB BU	1	EA	
15	049551-013	COVER, OS, RH, DECARB CB	1	EA	
15	049551-051	COVER, OS, RH CN	1	EA	
15	049551-052	COVER, OS, RH DJ	1	EA	
15	049551-005	COVER, OS, RH, DECARB GG	1	EA	
15	049551-022	COVER, OS, RH SG	1	EA	
15	049551-012	COVER, OS, RH VB	1	EA	
15	049551-006	COVER, OS, RH, DECARB WH	1	EA	
15	049551-054	COVER, OS, RH WS	1	EA	
16	003860-000	10-18 x .500 FASTNR,SCR,HXWH,STL,ZPLT		EA	
17	PD020032	SRW-8(A)X3/8"PH.WFR HD 7/16DIA*NICL		EA	

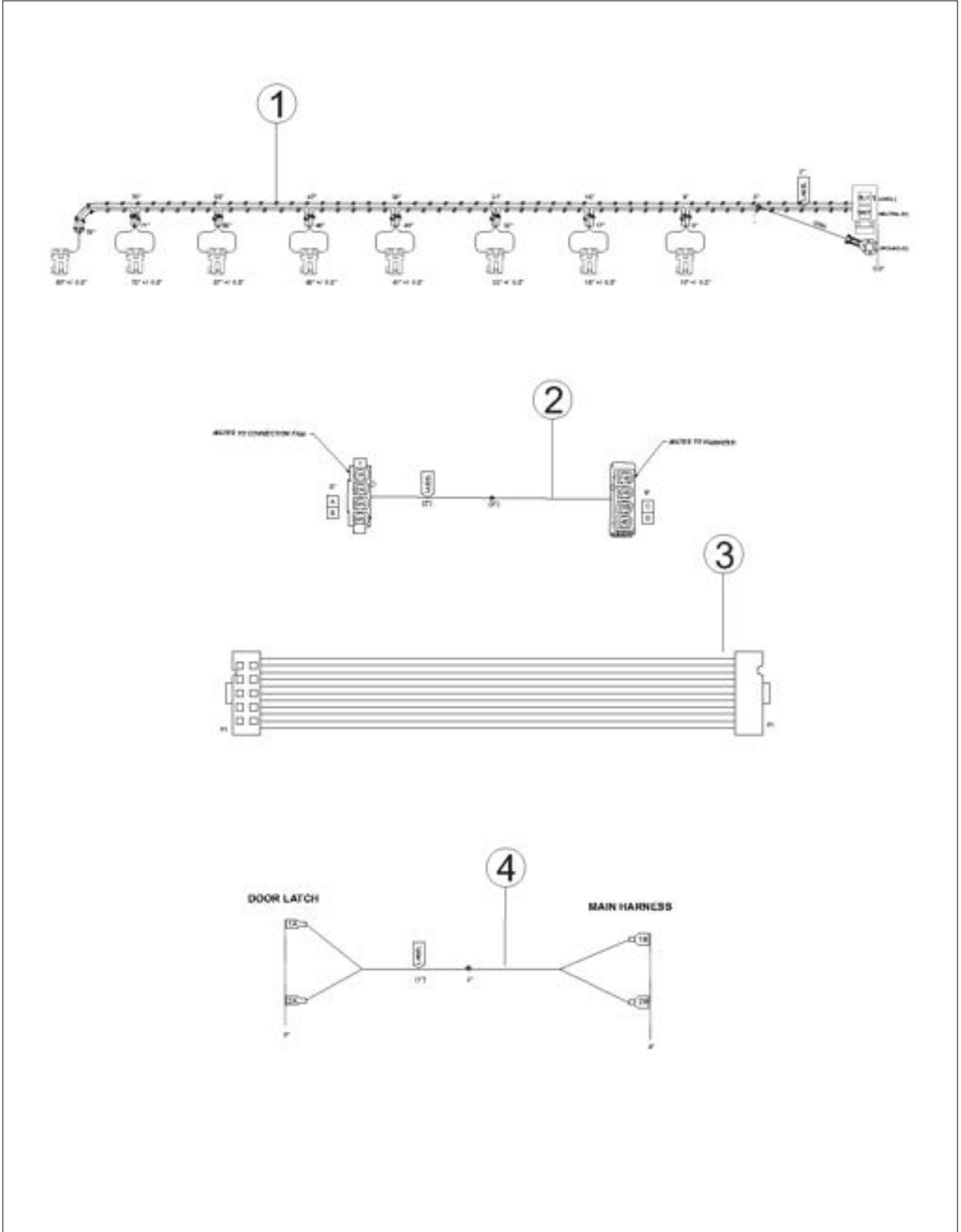
VDR7488BSS01 Control





Item	Part No.	Name	Qty	Uom	NOTES
1	045401-2612	PNL, CTRL, VDR748, W/GRAPHICS ASSY	1	EA	
Not Shown	NOTE	(MUST ORDER ITEM 14 WHEN REPLACING CONTROL PANEL)		EA	
2	PD020032	SRW-8(A)X3/8"PH.WFR HD 7/16DIA*NICL		EA	
3	027968-000	INDICATOR, LIGHT, BLUE	4	EA	
4	048309-000	BZL, KNOB	8	EA	
5	044512-000	BEARING, BEZEL, ASM	8	EA	
6	PD020046	' #8 X 1/2 SCREWS		EA	
7	PD020269	#8 PAN HEAD SCREW		EA	
8	042558-000	KNOB, ASSY, BURNER	8	EA	
9	042771-000	KNOB, ASSY, SELECTOR, OVEN, LH, D/F	1	EA	
10	044588-000	KNOB, SELECTOR, OVEN, DUAL FUEL	2	EA	
11	044587-000	KNOB, THERMOSTAT, OVEN, DUAL FUEL	1	EA	
12	048326-000	BZL, KNOB	4	EA	
13	044937-000	LENS, COVER, LED, CLEAR	12	EA	
14	M0104106	CLIP-CORD VM0104106	8	EA	

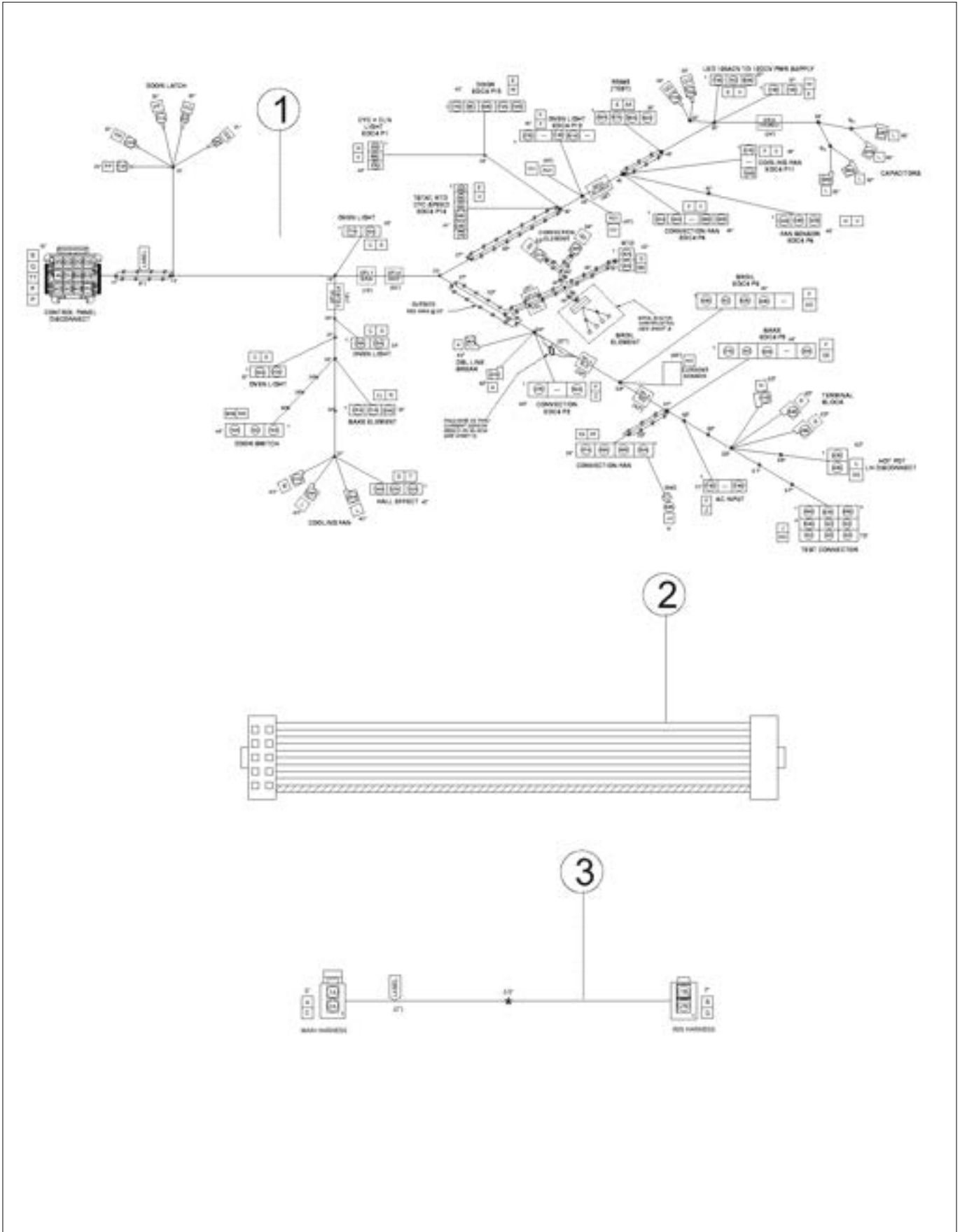
VDR7488BSS01 Electrical-5





Item	Part No.	Name	Qty	Uom	NOTES
1	044194-000	HARNESS, IRIS, 8B, GANG CONNECTOR	1	EA	
2	050081-000	HARN, JUMPER, ADAPT CONV FAN	2	EA	
3	024870-000	RIBBON CABLE, LH	1	EA	
4	051425-000	HARN, JUMPER, DOOR LATCH, VDR748, RH	1	EA	Not available online / Call for pricing and availability

VDR7488BSS01 Electrical-4



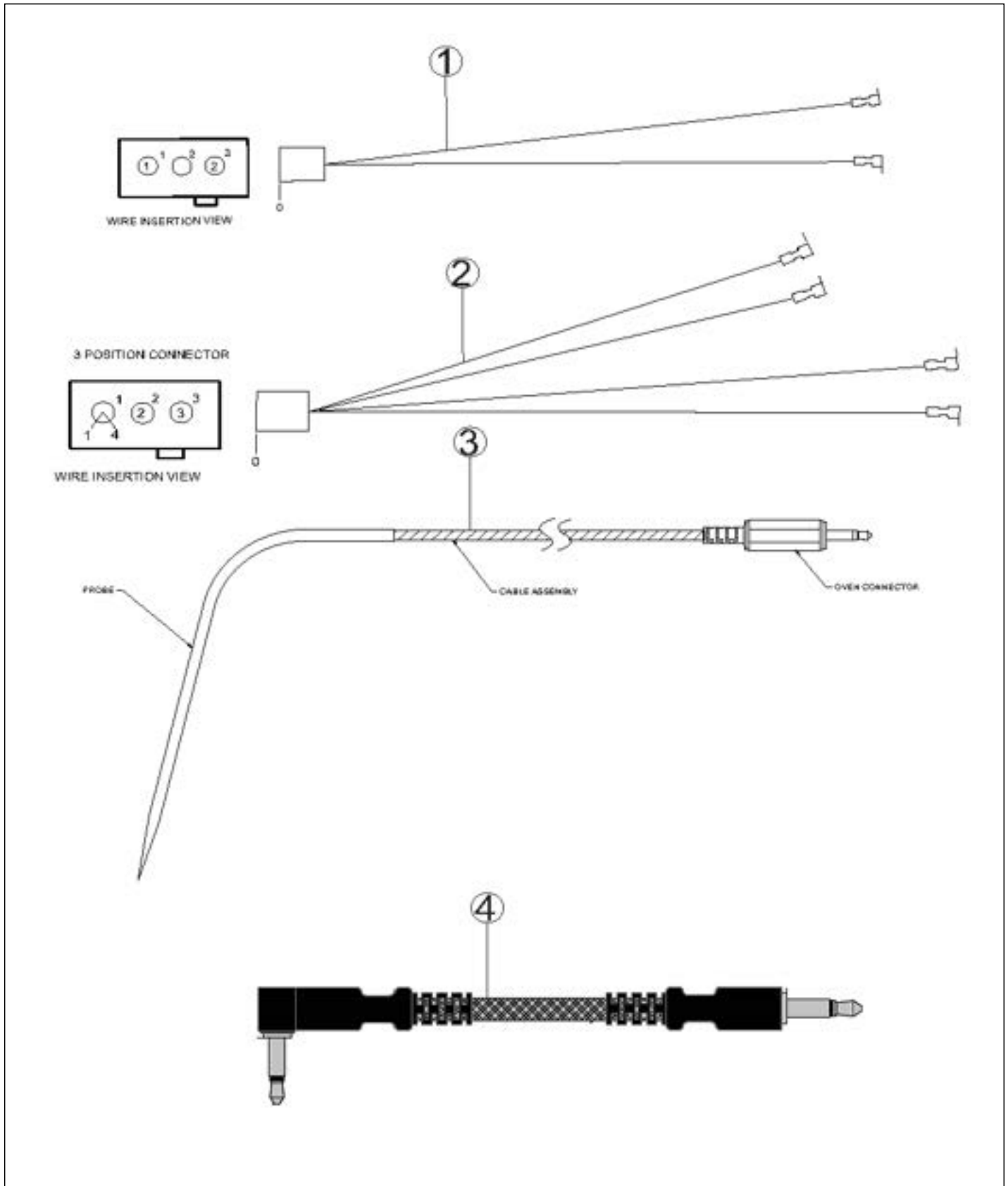


Item	Part No.	Name	Qty	Uom	NOTES
1	048270-000	HARN, VDR748, MAIN, LH	1	EA	Not available online / Call for pricing and availability
2	024869-000	RIBBON CABLE, RH	2	EA	
3	051373-000	HARN, JUMPER, IRIS	1	EA	Not available online / Call for pricing and availability



Item	Part No.	Name	Qty	Uom	NOTES
1	044906-000	HARN, VDR748, MAIN, RH	1	EA	
2	045080-000	HARN, VDR748, CP, RH	1	EA	Not available online / Call for pricing and availability

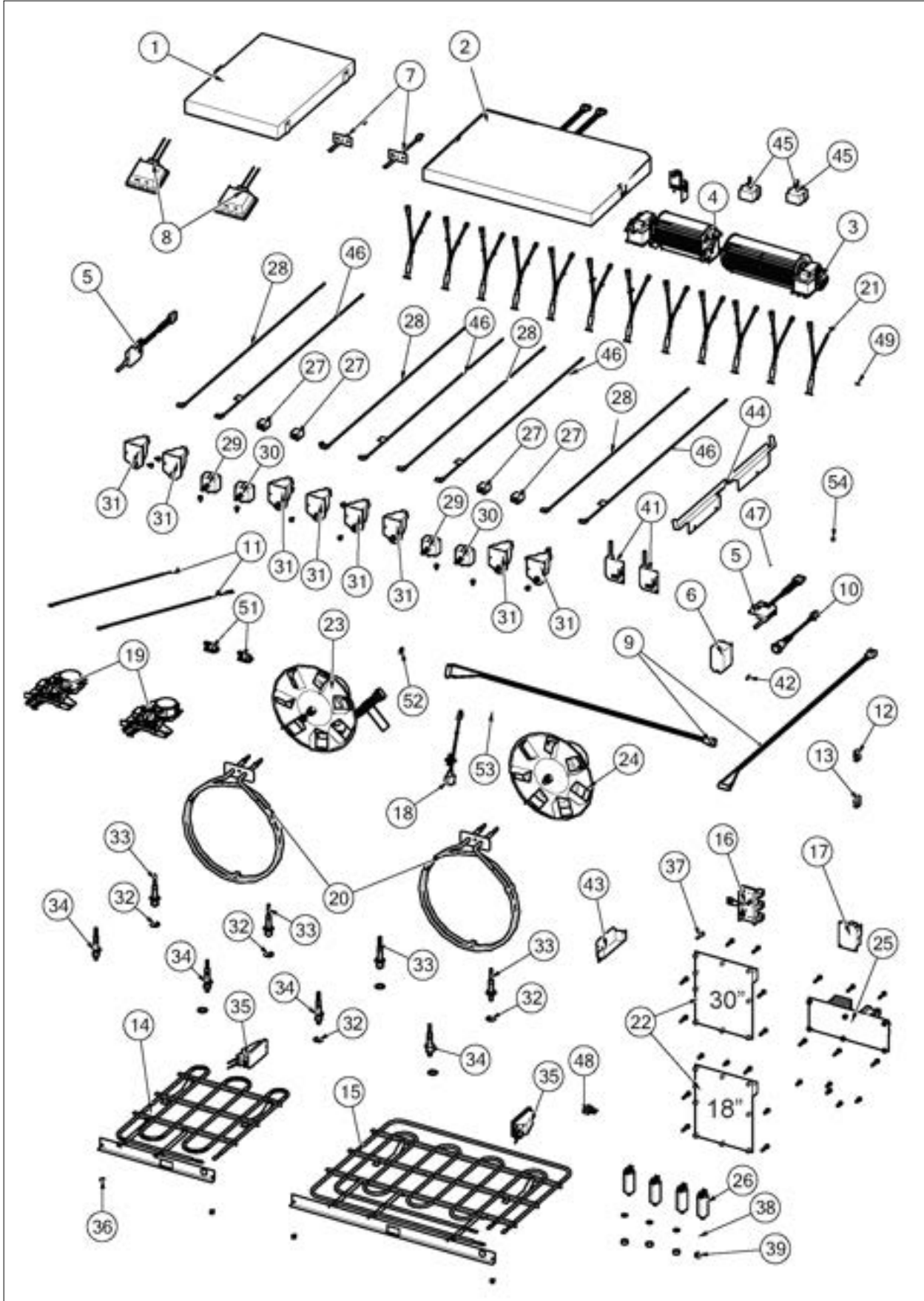
VDR7488BSS01 Electrical-2





Item	Part No.	Name	Qty	Uom	NOTES
1	013406-000	HARNES, BAKE, ELEMENT, VDSC18"	1	EA	
2	PE070739	BAKE ELEMENT HARNES	1	EA	
3	046020-000	PROBE, MEAT, OVEN, IGRILL, SST, 3.5MM	1	EA	
4	046021-000	CORD, ADPT, M-M, 2.5TS, 2.5TS, SST	1	EA	

VDR7488BSS01 Electrical-1





Item	Part No.	Name	Qty	Uom	NOTES
1	006380-000	ELEMENT, GLASS, BROILER, 18"	1	EA	
2	057872-000	ELEMENT, BRL, ASM	1	EA	
<p>Comments for Part Num. 057872-000</p> <p>gboltz@VikingRange.com on Aug 17, 2018</p> <p>When replacing the Ceramaspeed Broiler element (024040-000) with the EGO element, the original rear broiler bracket will need to be replaced with a replacement rear bracket, (013621-000) and a cover (016021-000)</p>					
3	079169-000	FAN, COOLING, DUAL, 230V, 60 X 180mm	1	each	
4	018608-000	FAN, BLO, 220-240V 50/60Hz ASM (MT1712)	1	EA	
5	045032-000	SWITCH, DOOR, W-CONNECTOR, ASM	2	EA	
6	049463-000	RELAY, DPST, 30A, 120VAC, COIL	1	EA	
7	PE050206	RTD THERMOSTAT PROBE	2	EA	
8	068038-601	ASM, OVEN, LIGHT, 120V, 40W (REPLACEMENT LAMP USE 078926-000)	2	EA	
9	008880-000	MEAT PROBE RECEPTACLE ASM	2	EA	
10	044195-000	SWITCH, PB-LT, 5WIRE, ASSY	1	EA	
11	044607-000	WIRE, GROUND	2	EA	
12	023024-000	HARN, HEADER, MODEL 16 (SEE MODEL_HEADER)	1	EA	
13	023023-000	HARN, HEADER, MODEL 15 (SEE MODEL_HEADER)	1	EA	
14	006166-000	ELEMENT, BAKE, VDSC18"	1	EA	
15	PJ010048	BAKE ELEMENT	1	EA	
16	PE070147	TERMINAL BLOCK (VDSC)	1	EA	
17	044693-000	SUPPLY, POWER, AC/DC 12VDC, 15W	1	EA	
18	046283-000	SWITCH, LIGHTS, ACCENT W/CONN	1	EA	
19	039293-000	LATCH, ELEC, 240V, ASSY	2	EA	
20	PJ010047	CONVECTION ELEMENT	2	EA	
21	048809-000	LAMP, LED, 12VDC, 2.84K, WHT HS, ASM & FAMILY	12	EA	

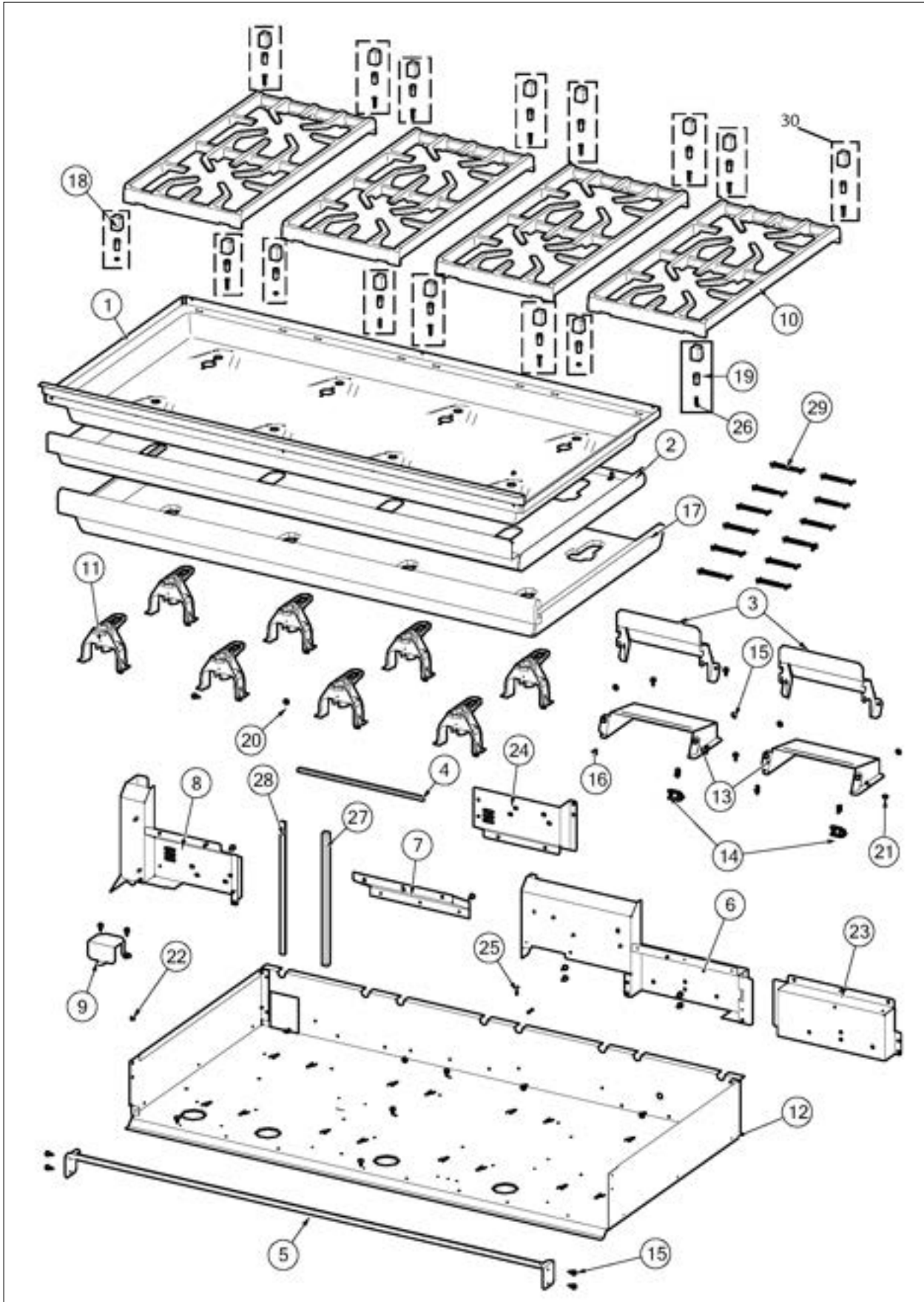


Item	Part No.	Name	Qty	Uom	NOTES
22	046142-571	CONTROL, EOC4, LED, V39/V51 & FAMILY	2	EA	
23	076194-000	ASM, FAN, CONVECTION	1	EA	
24	G32014020	CONVECTION FAN ASSY	1	EA	
25	038417-000	EOC4 POWER SUPPLY BOARD, CB	1	EA	
26	036047-000	CAPACITOR, CONV MOTOR, INTL	4	EA	
27	043135-000	HOUSING, LIGHT, LED, BLUE, 3.3V	4	EA	
28	028312-000	WIRE, ELECTRODE,IRIS,REAR	4	EA	
29	PJ030033	SELECTOR (10 POS)	2	EA	
30	PJ030035	THERMOSTAT	2	EA	
31	035795-000	MODULE, IGN, GAS,SNGL	8	EA	
32	045932-000	WASHER, ELECTRODE	8	EA	
33	066808-000	ELECTRODE , ASM, D	4	EA	
34	066809-000	ELECTRODE, ASM E	4	EA	
35	068653-601	LIGHT, 120V/25W, G9, HALOGEN, SIDE	2	EA	
36	037304-000	FASTENER, PNH, TORX, AB, PSVD, WAX	1	EA	
37	M0211021	SCREW-SM	1	EA	
38	PD040164	5/16 INTERNAL TOOTH LOCK WASHER TYPE A	1	EA	
39	PD030172	M8 X 1.25MM NUT	1	EA	
41	048347-000	SWITCH, SPDT, DOOR, STRAIGHT TABS	2	EA	
42	PD020067	#6 X 3/8" PAN PHIL. TEK *SS*	1	EA	
43	016021-000	COVER, TERM, BROILER	1	EA	
44	013621-000	BRACKET, BRL, REAR	1	EA	
Comments for Part Num. 013621-000					
gboltz@VikingRange.com on Feb 5, 2016					
After 1-22-2015					
45	PJ030035	THERMOSTAT	2	EA	
46	028324-000	WIRE, ELECTRODE,IRIS,FRONT	4	EA	



Item	Part No.	Name	Qty	Uom	NOTES
47	045594-000	SCREW, SHCS, NO.4-40 X 3/8, SS	1	EA	
48	009645-000	MODEL HEADER 11	1	EA	
49	PD020006	' #6-32 X 1/4" PH.PAN HD. T(F)	1	EA	
51	045548-000	CLIP, ROUTING, WIRE	2	EA	
52	008882-000	FASTENER, WSHR, LCKG, 1/4 I.D.	1	EA	
53	008883-000	FASTENER, NUT, SST, 1/4 32	1	EA	
54	042402-000	WASHER, W/ADHESIVE	2	EA	
NI	045081-000	HARN, VDR748, CP, LH	1	EA	Not available online / Call for pricing and availability
NI	048830-000	KITCHEN THERMOMETER P/N 1KT0002	1	EA	
NI	048831-000	KITCHEN THERMOMETER P/N 1KT002 VIKING OVERLAY	1	EA	
NI	046014-000	DEVICE, THERMOMETER, IGRILL, RETAIL	1	EA	

VDR7488BSS01 Surface



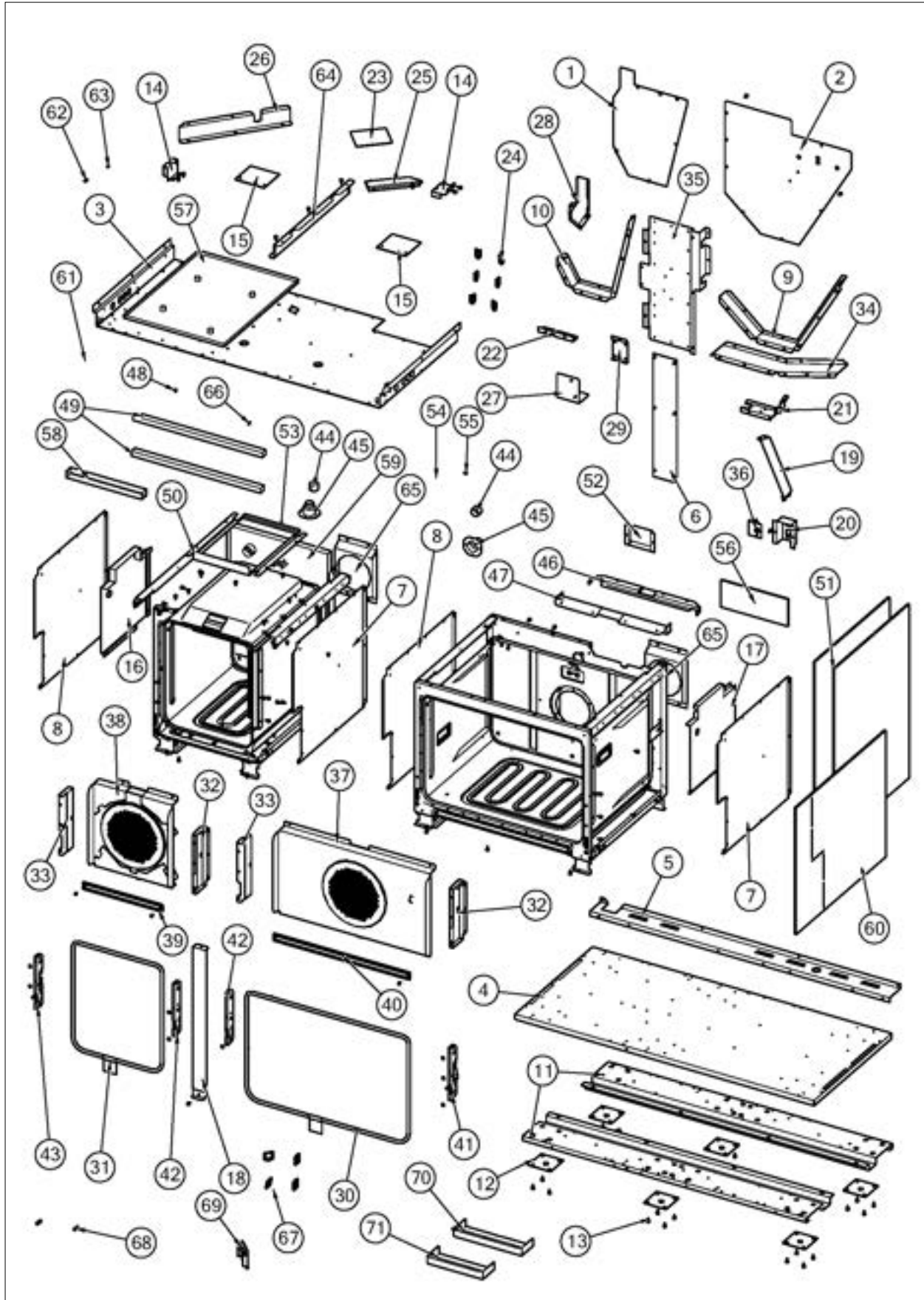


Item	Part No.	Name	Qty	Uom	NOTES
1	048236-402	PAN, BNR, SHIM, ASM, BK	1	EA	
2	049695-000	TRAY, PNL, INSULATION, BURNER PAN, 48"	1	EA	
3	049964-000	SHIELD, HEAT, HARNESS, TOP	2	EA	
4	028325-000	GASKET, 1/4" X 3/8", 1-SIDE ADHESIVE	1	EA	
5	049728-000	BRACKET, MTG, 48" CONTROL PANEL	1	EA	
6	043851-000	DUCT, RH, ADJUSTABLE, DIVERTER, AIR	1	EA	
7	047816-000	DIVERTER, WATER, DUMP	1	EA	
8	043861-000	DUCT, LH, ADJUSTABLE, DIVERTER, AIR	1	EA	
9	048188-000	BRACKET, TEE, PIPE	1	EA	
10	042545-000	GRATE, CAST, 12"	4	EA	
11	066170-000	SUPPORT, HLDR, JET	8	EA	
12	N/P	BOX, BNR, 48"		EA	
13	049753-000	SHIELD, HEAT, HARNESS, BTM	2	EA	
14	045548-000	CLIP, ROUTING, WIRE	2	EA	
15	003860-000	10-18 x .500 FASTNR,SCR,HXWH,STL,ZPLT		EA	
16	050610-000	SADDLE, WIRE, EDGE, .46 X .29	4	EA	
17	049743-000	INSULATION, LINER, BURNER PAN, 48"	1	EA	
18	042410-000	SUPPORT, GRATE	16	EA	
Not Shown	NOTE	(MUST ORDER ITEM 30)		EA	
19	046873-000	SILENCER, GRATE	16	EA	
Not Shown	NOTE	(MUST ORDER ITEM 30)		EA	
20	PD020068	' #10 - 32 X 1/2"TRUSS. PHIL. M.*SS*		EA	
21	014143-000	SCR 10-12 A SHLD TRP 1/2 S ZN BLUE		EA	
22	PD020010	10 X 3/8 GREEN GROUNDING SCREW		EA	
23	051346-000	DUCT, LH, ADJUSTABLE, DIVERTER, AIR	1	EA	



Item	Part No.	Name	Qty	Uom	NOTES
24	051345-000	DUCT, LH, ADJUSTABLE, DIVERTER, AIR	1	EA	
25	PD020061	' #8 X 3/4 FLAT HD TEK. *SS*		EA	
26	049534-000	SCREW, 8-32 X 3/4, PHIL, FLAT	16	EA	
Not Shown	NOTE	(MUST ORDER ITEM 30)		EA	
27	052448-000	GASKET, FOAM	1	EA	
28	028325-200	ADHESIVE GASKET, 1/4" X 3/8"	1	EA	
29	048961-000	STANDOFF, TWIST LOCK, TALL	11	EA	
30	058147-000	GRATE, LEG, ASSY, PHASE 2 (BLK)	16	EA	
Comments for Part Num. 058147-000					
gboltz@VikingRange.com on Jun 6, 2016					
See parts bulletin 2016-03P Grate support changes					

VDR7488BSS01 Base





Item	Part No.	Name	Qty	Uom	NOTES
1	047813-000	PANEL, CVR, LH	1	EA	
2	047812-000	PANEL, CVR, RH	1	EA	
3	043765-000	PANEL, INSL, 48" TOP DF	1	EA	
4	043907-000	BASE, BOT, 48" GAS (NON-SERVICEABLE PART)	1	EA	
5	043864-000	RANGE, BASE, BACK, DF (NON-SERVICEABLE PART)	1	EA	
6	044862-000	BRKT, REAR, CAVITY, INTL	1	EA	
7	048194-000	RETAINER, INSULATION, WRAPPER, RH	2	EA	
8	048200-000	RETAINER, WRAPPER, INSULATION, LH	2	EA	
9	049784-000	BAFFLE, FAN, REAR	1	EA	
10	047806-000	BAFFLE, AIR, REAR, VDSC 18"	1	EA	
11	047055-000	BRACKET, LEG, OFFSET (NON-SERVICEABLE PART)	2	EA	
12	PC030007	LEG PLATE - 3/4" THREADED HOLE	6	EA	
13	003860-000	10-18 x .500 FASTNR,SCR,HXWH,STL,ZPLT	1	EA	
14	046065-000	BRACKET, SWITCH, OVEN LIGHT	2	EA	
15	013564-000	LOWER LATCH INSULATION	2	EA	
16	048646-000	SHIELD, DIVERTER, HEAT, LH	1	EA	
17	048962-000	SHIELD, DIVERTER, HEAT, RH	1	EA	
18	048644-000	TRIM, CTR, VDR 48"	1	EA	
19	049755-000	DIVERTER, AIR, BACK WALL, VDSC	1	EA	
20	N/P	BRKT, TEST, DF	1	EA	
Not Shown	NOTE	(NOT FIELD REPLACEABLE)		EA	
21	049785-000	BAFFLE, FAN, REAR, TOP	1	EA	
22	047841-000	BRKT, MOUNT, CAPACITOR	1	EA	
23	004285-000	INSULATION, FOIL-BACKED,4"x5"	1	EA	
24	045548-000	CLIP, ROUTING, WIRE	6	EA	
25	003333-000	DUCT, FLUE	1	EA	
26	048639-000	DIVERTER, AIR, LH	1	EA	



Item	Part No.	Name	Qty	Uom	NOTES
27	047826-000	BRKT, BASE, RETAINER, VALVE, SHUT OFF	1	EA	
28	044838-000	EXHAUST, DUCT, REAR, VDSC 18" INTL	1	EA	
29	N/P	SHELF, SUPPLY, POWER	1	EA	
Not Shown	NOTE	(NOT FIELD REPLACEABLE)		EA	
30	044796-000	GASKET, LINER, DF, ASM, 30"	1	EA	
Not Shown	NOTE	(BEFORE 09/16/14)		EA	
30	051590-000	GASKET, LINER, DF, ASM, 30"	1	EA	
Not Shown	NOTE	(ON OR AFTER 09/16/14)		EA	
31	044818-000	GASKET, LINER, DF, ASM, 18"	1	EA	
Not Shown	NOTE	(BEFORE 09/16/14)		EA	
31	051595-000	GASKET, LINER, DF, ASM, 18"	1	EA	
Not Shown	NOTE	(ON OR AFTER 09/16/14)		EA	
NI	051580-000	BRACKET, GASKET	2	EA	
32	048195-000	SHIM, SHIELD, RETAINER, RH HINGE	2	EA	
33	048199-000	SHIM, SHIELD, RETAINER, LH HINGE	2	EA	
34	047831-000	SHIELD, DIVERTER, WATER	1	EA	
35	047798-000	PNL, TRAY, MOUNT, ELECTRONICS	1	EA	
36	A2002195	POWER CORD MOUNTING BRKT (VDSC)	1	EA	
37	032857-402	BAFFLE, CNVN, ASM, D3 BLACK	1	EA	
38	006176-402	BAFFLE, CNVN, ASM, D3 BLACK	1	EA	
39	003490-000	COVER,BAKE, 18"	1	EA	
40	E9109655	BAKE TRAY COVER	1	EA	
41	054057-000	RECEIVER, HINGE, SLOW- CLOSE, DAMPENED	1	EA	
42	045060-000	RECEIVER, HINGE, SLOW- CLOSE, UNDAMPENED	2	EA	
43	057805-000	RECEIVER, HINGE, NUOVA STAR, DAMPENED	1	EA	

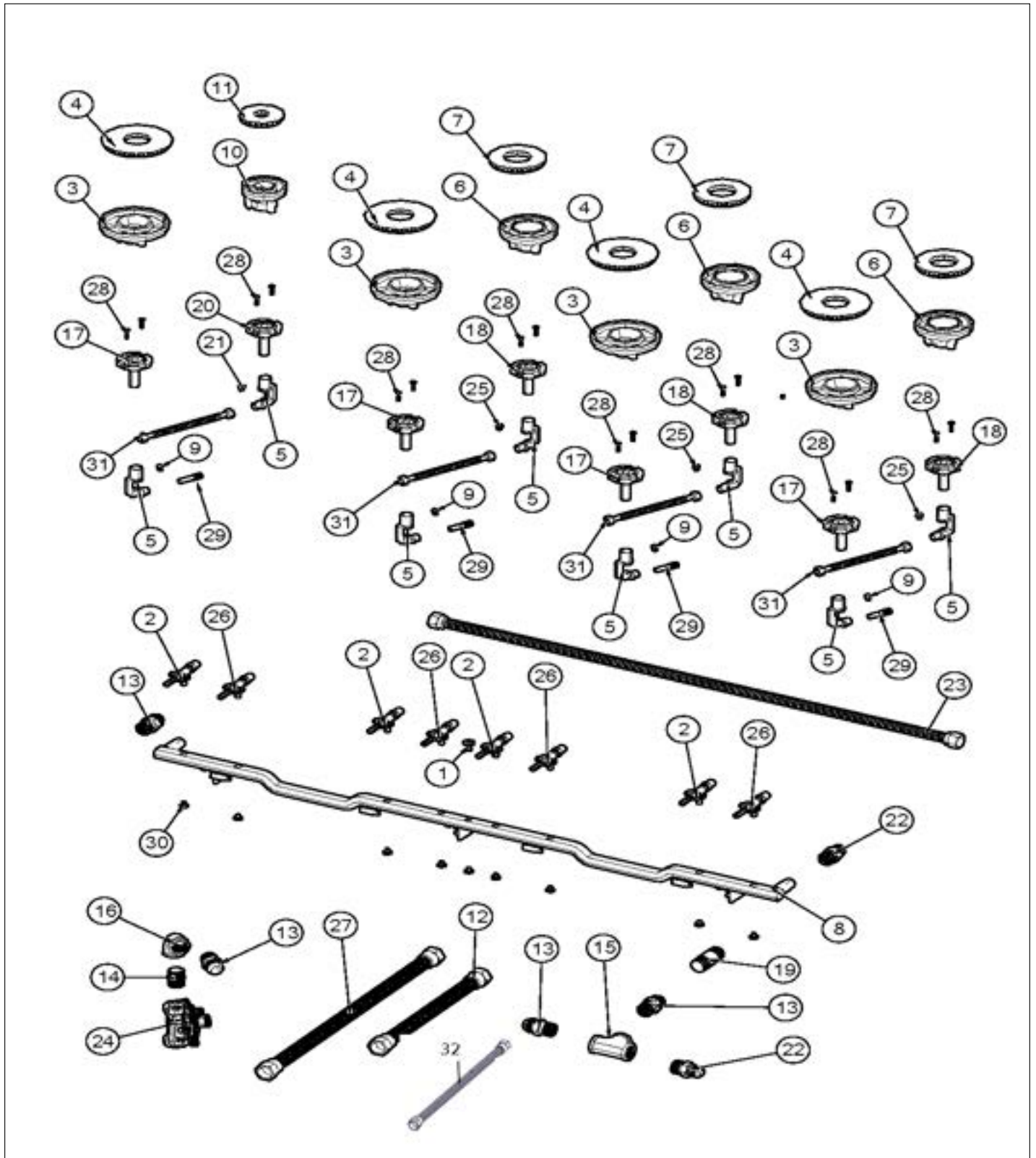


Item	Part No.	Name	Qty	Uom	NOTES
44	PB020275	VENT TUBE	2	EA	
45	PM010014	SMOKE ELIMINATOR (VDSC)	2	EA	
46	024221-000	BRACKET, BROILER, REAR	1	EA	
47	024234-000	BRACKET, BROILER, FRONT	1	EA	
48	037304-000	FASTENER, PNH, TORX, AB, PSVD, WAX	1	EA	
49	013547-000	BAKE ELEMENT INSULATION	2	EA	
50	043763-000	BRKT, TOP, WRAPPER	4	EA	
51	033588-000	INSULATION, TOP FOIL BACK	2	EA	
52	048838-000	DIVERTER, SHIELD, HEAT, DUCT	1	EA	
53	006748-000	BRACKET,SST,201HP,MILL,VD SC18",GLASS BROILER	1	EA	
54	037304-000	FASTENER, PNH, TORX, AB, PSVD, WAX	1	EA	
55	014143-000	SCR 10-12 A SHLD TRP 1/2 S ZN BLUE	1	EA	
56	006220-000	INSULATION, DOOR, SKIN, TOP, VDSC18"	1	EA	
57	017699-000	INSULATION, BAKE BOTTOM	1	EA	
58	017697-000	INSULATION, BAKE, FRONT	2	EA	
59	017701-000	INSULATION, CAVITY BACK	1	EA	
60	050302-000	INSULATION SIDE FOIL BACK	1	EA	
61	046595-000	WASHER, FIBER, BLACK	1	EA	
62	043800-000	BUMPER, RBR, BLK	1	EA	
63	046651-000	SCREW, TRILOBE, 10-32, TRUSS, PH, BLACK	1	EA	
64	043866-000	DIVERTER, AIR, DF	1	EA	
65	A2009697	BRACKET, CONVECTION INSULATION	2	EA	
66	PD020010	10 X 3/8 GREEN GROUNDING SCREW	1	EA	
67	045550-000	SADDLE, WIRE, EDGE	4	EA	
68	044044-000	GROMMET, SWITCH, DOOR, RBR	2	EA	
69	047827-000	BRKT, RETAINER, TOP, REGULATOR	2	EA	
70	049484-000	BRACKET, FILLER, BLOWER	2	EA	



Item	Part No.	Name	Qty	Uom	NOTES
71	049485-000	BRACKET, FAN, MT, BOT, VDSC 18"	1	EA	
NI	048460-000	INSULATION KIT #8	1	EA	
NI	048457-000	INSULATION KIT #10	1	EA	
NI	048458-000	INSULATION KIT #2	1	EA	

VDR7488BSS01 Gas



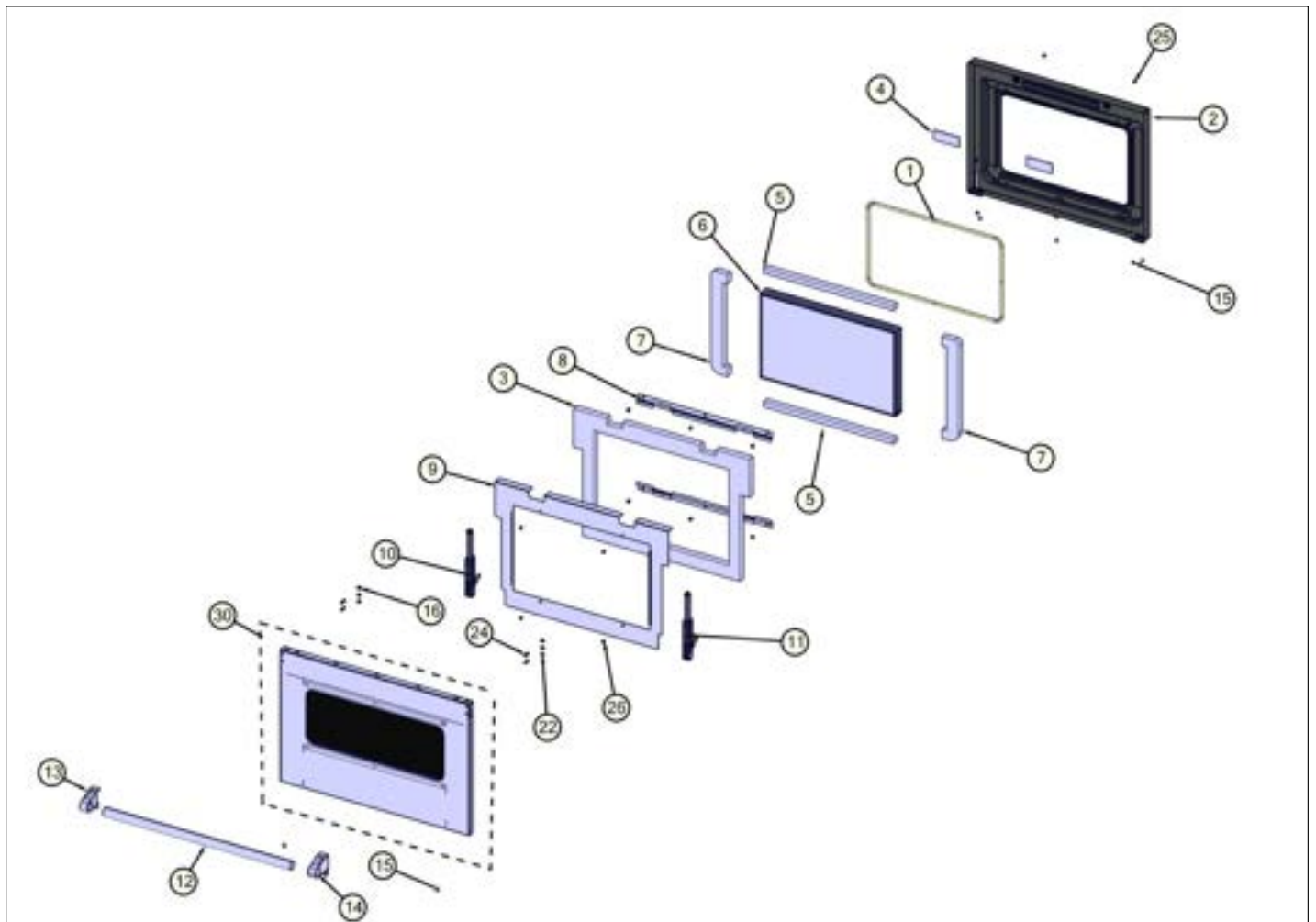


Item	Part No.	Name	Qty	Uom	NOTES
1	002884-000	MANIFOLD PLUG	1	EA	
2	061224-000	VALVE, GAS, E-BNR, NAT	4	EA	
2	061226-000	VALVE, GAS, E-BNR, LP	4	EA	
3	053357-000	BASE, BNR, E-SIZE	4	EA	
4	066172-000	BURNER, HEAD, E	4	EA	
5	063295-000	HOLDER, JET, BURNER	8	EA	
6	066105-000	BASE, BNR, D	3	EA	
7	066169-000	BURNER, HEAD, D	3	EA	
8	056462-000	MANIFOLD, GAS, 48", ASM	1	EA	
9	043675-000	ORIFICE, BNR, STD, 2.18MM	4	EA	
9	043679-000	ORIFICE, BNR, STD, 1.32MM	4	EA	
10	043790-000	BURNER, BASE, C-SIZE	1	EA	
11	043791-000	BURNER, HEAD, BRS, C-SIZE	1	EA	
12	044310-000	TUBING, 3/4" FLEX, SST, 13"	1	EA	
13	044321-000	FITTING, ADAPTOR, 3/4" FLEX TUBING	4	EA	
14	044322-000	NIPPLE, CLOSE, 3/4" NPTM TO 3/4" NPTM	1	EA	
15	044323-000	TEE, PIPE, 3/4	1	EA	
16	044325-000	ELBOW, 90 DEG STREET, 3/4" NPT	1	EA	
17	067030-000	VENTURI, E NAT, FLANGE, BNR	4	EA	
17	067031-000	VENTURI, E LP, FLANGE, BNR - LP	4	EA	
18	066171-000	VENTURI, D NAT, D LP, FLANGE, BNR	3	EA	
19	044637-000	NIPPLE, PIPE, 2-1/2", 3/4" NPTM TO 3/4" NPTM	1	EA	
20	044686-000	VENTURI, C NAT, C LP, FLANGE, BNR	1	EA	
21	044688-000	ORIFICE, BNR, STD, 1.22MM	1	EA	
21	044820-000	ORIFICE, BNR, STD, .813MM	1	EA	
22	044824-000	FITTING, ADAPTOR, 1/2" FLEX TUBING	2	EA	
23	044832-000	TUBING, 1/2 FLEX, SST, 38	1	EA	
24	046119-000	PRESSURE REGULATOR (NAT)	1	EA	



Item	Part No.	Name	Qty	Uom	NOTES
24	046120-000	REGULATOR, PRSS, 3/4" INLET, 3/4" OUTLET (LP)	1	EA	
25	046184-000	ORIFICE, BNR, STD, 1.70MM	3	EA	
25	043680-000	ORIFICE, BNR, STD, 1.07MM	3	EA	
26	061225-000	VALVE, GAS, C & D-BNR, NAT	4	EA	
26	061227-000	VALVE, GAS, C & D-BNR, LP	4	EA	
27	046399-000	TUBING, 3/4 FLEX, SST, 20	1	EA	
28	046964-000	SCREW, 10-32 X 3/4", CTSK, BLACK		EA	
29	PB020191	15" FLEX TUBE	4	EA	
30	PD010012	VALVE BOLT 1/4-20 UNC-2B 5/16" M.S.	9	EA	
31	PB020198	20" FLEX TUBING	4	EA	
32	044310-000	TUBING, 3/4" FLEX, SST, 13"	1	EA	

RH DOOR



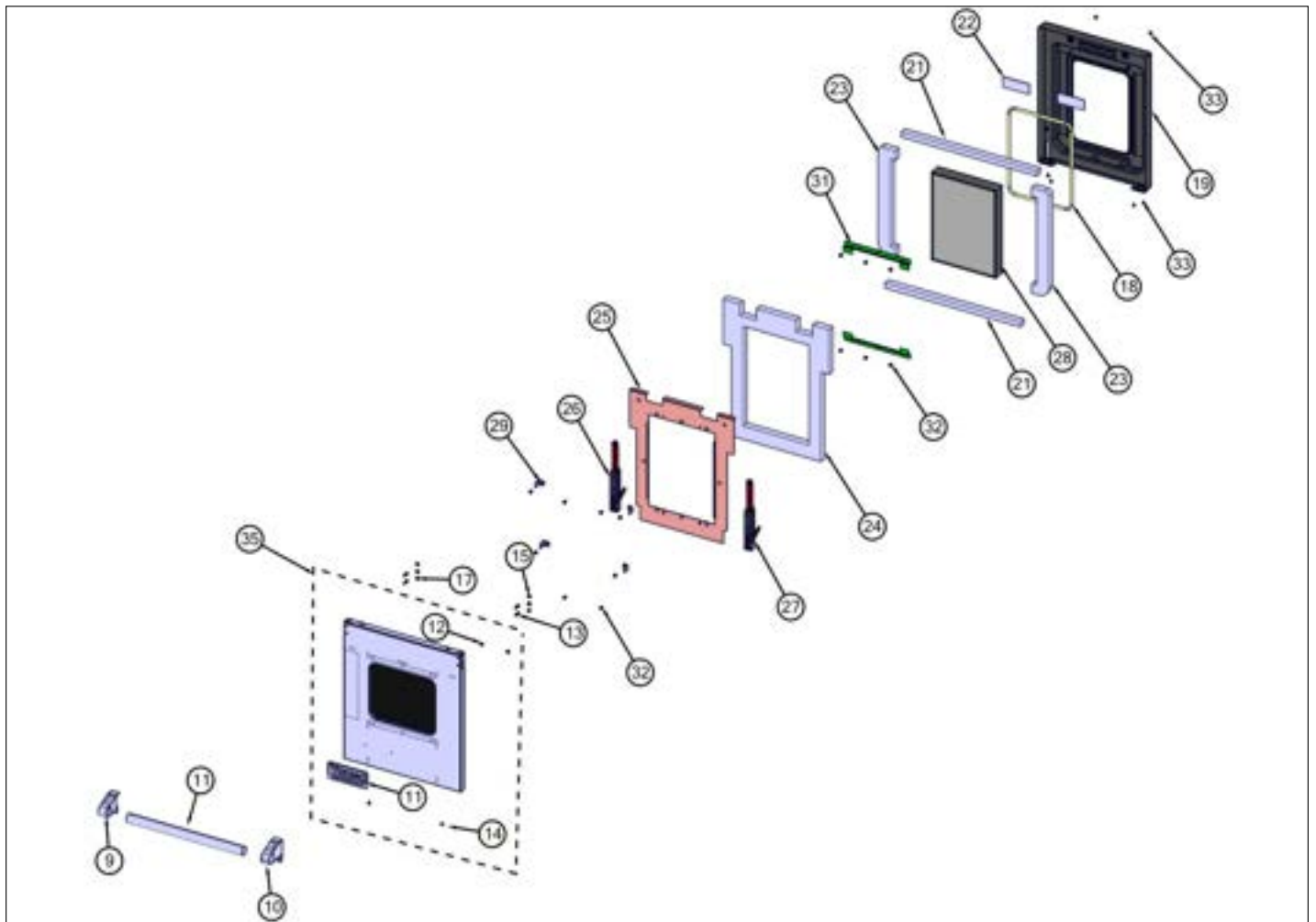


Item	Part No.	Name	Qty	Uom	NOTES
1	000594-000	BLACK FIBERGLASS ROPE 3/8"	1	EA	
2	049013-402	LINER, DOOR, WLD, ASSY 30" BK	1	EA	
3	017752-000	INSULATION, DOOR LINER	1	EA	
4	013567-000	DOOR BRACKET INSULATION	2	EA	
5	013547-000	BAKE ELEMENT INSULATION	2	EA	
6	PE060094	30" WINDOW PACK	1	EA	
7	013558-000	SIDE DOOR PLUG INSULATION	2	EA	
8	004153-000	DOOR GLASS HOLDER BRACKET	1	EA	
9	004152-000	DOOR LINER INSULATION RETAINER, 30"	1	EA	
10	046547-000	HINGE, NUOVA STAR, LH, WHITE	1	EA	
11	046546-000	HINGE, NUOVA STAR, RH, WHITE	1	EA	
12	002728-000	DOOR HANDLE - SS, 1.25" 29.5	1	EA	
13	003011-000	DOOR HANDLE ENDCAP ASSY, LH (CHROME)	1	EA	
14	003012-000	DOOR HANDLE ENDCAP ASSY, RH (CHROME)	1	EA	
15	PD020032	SRW-8(A)X3/8"PH.WFR HD 7/16DIA*NICL		EA	
16	004907-000	STEEL FINISHING PLUG, NICKEL PLTD 25/64" HOLE	4	EA	
22	PD020073	SRW #10 X 24 X 3/8 WAFER HD TYPE23		EA	
24	030823-000	#10-32 PAN HEAD PHILLIPS MACHINE SCREW	1	EA	
25	PD020063	SCREW-#8(A) X 3/8"PH WFR HD/BK OXID	1	EA	
26	004526-000	10 x 1/2 PH, NPLT, TAPPING SCREW	1	EA	
30	049011-000	DOOR, OS, KIT, 30" ASM	1	EA	
30	066953-002	DOOR, OS, KIT, DECARB, 30" ASM BK	1	EA	
30	066953-005	DOOR, OS, KIT, DECARB, 30" ASM GG	1	EA	
30	066953-006	DOOR, OS, KIT, DECARB, 30" ASM WH	1	EA	



Item	Part No.	Name	Qty	Uom	NOTES
30	066953-008	DOOR, OS, KIT, DECARB, 30" ASM BU	1	EA	
30	066953-013	DOOR, OS, KIT, DECARB, 30" ASM CB	1	EA	
30	066953-024	DOOR, OS, KIT, DECARB, 30" ASM AR	1	EA	

LH DOOR





Item	Part No.	Name	Qty	Uom	NOTES
9	003011-000	DOOR HANDLE ENDCAP ASSY, LH (CHROME)	1	EA	
10	003012-000	DOOR HANDLE ENDCAP ASSY, RH (CHROME)	1	EA	
11	006221-000	18" DOOR HANDLE, SST	1	EA	
12	PD030006	CAPPED WASHER PAL NUT	2	EA	
13	030823-000	#10-32 PAN HEAD PHILLIPS MACHINE SCREW	1	EA	
14	PD020032	SRW-8(A)X3/8"PH.WFR HD 7/16DIA*NICL	1	EA	
15	004907-000	STEEL FINISHING PLUG, NICKEL PLTD 25/64" HOLE	1	EA	
17	PD020073	SRW #10 X 24 X 3/8 WAFER HD TYPE23	1	EA	
18	000594-000	BLACK FIBERGLASS ROPE 3/8"	1	EA	
19	049018-402	LINER, DOOR, WLD, ASSY 158" BK	1	EA	
21	013547-000	BAKE ELEMENT INSULATION	2	EA	
22	013567-000	DOOR BRACKET INSULATION	2	EA	
23	013558-000	SIDE DOOR PLUG INSULATION	2	EA	
24	024494-000	INSULATION, DOOR LINER, 18"	1	EA	
25	006209-000	DOOR LINER INSULATION RETAINER, 18"	1	EA	
26	046549-000	HINGE, NUOVA STAR, LH, RED	1	EA	
27	046548-000	HINGE, NUOVA STAR, RH, RED	1	EA	
28	005300-000	GLASS, WINDOW PACK, 18"	1	EA	
29	009426-000	STANDOFF, BRACKET, DOOR, LINER, VDSC18"	3	EA	
31	006207-000	BRACKET, DOOR, FLAT	2	EA	
32	004526-000	10 x 1/2 PH, NPLT, TAPPING SCREW	1	EA	
33	PD020063	SCREW-#8(A) X 3/8"PH WFR HD/BK OXID	1	EA	
35	049016-000	DOOR, OS, KIT, 18" ASM	1	EA	
35	066956-002	DOOR SKIN ASM BK	1	EA	
35	066956-005	DOOR SKIN ASM GG	1	EA	
35	066956-006	DOOR SKIN ASM WH	1	EA	
35	066956-008	DOOR SKIN ASM BU	1	EA	



Item	Part No.	Name	Qty	Uom	NOTES
35	066956-013	DOOR SKIN ASM CB	1	EA	
35	066956-024	DOOR SKIN ASM AR	1	EA	
36	PE010030	LOGO 6" (VGRC) *BK*	1	EA	



Appendix A:Pages Index

LH DOOR 12
RH DOOR 11
VDR7488BSS01 Base9
VDR7488BSS01 Control2
VDR7488BSS01 Decor 1
VDR7488BSS01 Electrical-1 7
VDR7488BSS01 Electrical-2 6
VDR7488BSS01 Electrical-3 5
VDR7488BSS01 Electrical-4 4
VDR7488BSS01 Electrical-5 3
VDR7488BSS01 Gas 10
VDR7488BSS01 Surface 8



Appendix B:Parts Index

000594-000	11, 12	018608-000	7
002728-000	11	023023-000	7
002884-000	10	023024-000	7
003011-000	11, 12	024102-000	1
003012-000	11, 12	024221-000	9
003333-000	9	024234-000	9
003490-000	9	024494-000	12
003860-000	1, 8, 9	024869-000	4
004152-000	11	024870-000	3
004153-000	11	027968-000	2
004285-000	9	028312-000	7
004526-000	11, 12	028324-000	7
004907-000	11, 12	028325-000	8
005300-000	12	028325-200	8
006166-000	7	030823-000	11, 12
006176-402	9	032857-402	9
006207-000	12	033588-000	9
006209-000	12	035795-000	7
006220-000	9	036047-000	7
006221-000	12	037304-000	7, 9, 9
006379-000	1	038417-000	7
006380-000	7	039293-000	7
006748-000	9	041046-000	1
008880-000	7	042253-000	1
008882-000	7	042375-000	1
008883-000	7	042402-000	7
009426-000	12	042410-000	8
009645-000	7	042545-000	8
013406-000	6	042558-000	2
013547-000	9, 11, 12	042771-000	2
013558-000	11, 12	042797-000	1
013564-000	9	043135-000	7
013567-000	11, 12	043675-000	10
013621-000	7	043679-000	10
014143-000	8, 9	043680-000	10
016021-000	7	043763-000	9
017697-000	9	043765-000	9
017699-000	9	043790-000	10
017701-000	9	043791-000	10
017752-000	11	043800-000	9
		043851-000	8



043861-000	8	046021-000	6
043864-000	9	046065-000	9
043866-000	9	046119-000	10
043907-000	9	046120-000	10
044044-000	9	046142-571	7
044178-000	1	046184-000	10
044194-000	3	046283-000	7
044195-000	7	046399-000	10
044310-000	10, 10	046546-000	11
044321-000	10	046547-000	11
044322-000	10	046548-000	12
044323-000	10	046549-000	12
044325-000	10	046595-000	9
044512-000	2	046651-000	9
044587-000	2	046873-000	8
044588-000	2	046964-000	10
044607-000	7	047055-000	9
044637-000	10	047730-000	1
044686-000	10	047732-000	1
044688-000	10	047798-000	9
044693-000	7	047806-000	9
044796-000	9	047812-000	9
044818-000	9	047813-000	9
044820-000	10	047814-000	1
044824-000	10	047816-000	8
044832-000	10	047823-000	1
044838-000	9	047826-000	9
044862-000	9	047827-000	9
044906-000	5	047831-000	9
044937-000	2	047841-000	9
045032-000	7	048188-000	8
045060-000	9	048194-000	9
045080-000	5	048195-000	9
045081-000	7	048199-000	9
045401-2612	2	048200-000	9
045548-000	7, 8, 9	048236-402	8
045550-000	9	048270-000	4
045594-000	7	048309-000	2
045932-000	7	048326-000	2
046014-000	7	048347-000	7
046020-000	6	048457-000	9



048458-000	9	049552-054	1
048460-000	9	049695-000	8
048627-000	1	049728-000	8
048639-000	9	049738-002	1
048644-000	9	049738-005	1
048646-000	9	049738-006	1
048809-000	7	049738-008	1
048830-000	7	049738-012	1
048831-000	7	049738-013	1
048838-000	9	049738-022	1
048961-000	8	049738-024	1
048962-000	9	049738-051	1
049011-000	11	049738-052	1
049013-402	11	049738-054	1
049016-000	12	049743-000	8
049018-402	12	049753-000	8
049463-000	7	049755-000	9
049484-000	9	049784-000	9
049485-000	9	049785-000	9
049534-000	8	049964-000	8
049551-002	1	050081-000	3
049551-005	1	050302-000	9
049551-006	1	050610-000	8
049551-008	1	051345-000	8
049551-012	1	051346-000	8
049551-013	1	051373-000	4
049551-022	1	051425-000	3
049551-024	1	051580-000	9
049551-051	1	051590-000	9
049551-052	1	051595-000	9
049551-054	1	052448-000	8
049552-002	1	052892-000	1
049552-005	1	053357-000	10
049552-006	1	054057-000	9
049552-008	1	056462-000	10
049552-012	1	057805-000	9
049552-013	1	057872-000	7
049552-022	1	058147-000	8
049552-024	1	061224-000	10
049552-051	1	061225-000	10
049552-052	1	061226-000	10



061227-000	10	PD020010	8, 9
063295-000	10	PD020032	1, 2, 11, 12
066105-000	10	PD020046	2
066169-000	10	PD020061	8
066170-000	8	PD020063	11, 12
066171-000	10	PD020067	7
066172-000	10	PD020068	8
066226-402	1	PD020073	11, 12
066227-402	1	PD020269	2
066808-000	7	PD030006	12
066809-000	7	PD030172	7
066953-002	11	PD040164	7
066953-005	11	PE010030	12
066953-006	11	PE050206	7
066953-008	11	PE060094	11
066953-013	11	PE070147	7
066953-024	11	PE070739	6
066956-002	12	PJ010047	7
066956-005	12	PJ010048	7
066956-006	12	PJ030033	7
066956-008	12	PJ030035	7, 7
066956-013	12	PM010014	9
066956-024	12		
067030-000	10		
067031-000	10		
068038-601	7		
068653-601	7		
076194-000	7		
079169-000	7		
A2002195	9		
A2009697	9		
E9109655	9		
G32014020	7		
M0104106	2		
M0211021	7		
PB020191	10		
PB020198	10		
PB020275	9		
PC030007	9		
PD010012	10		
PD020006	7		