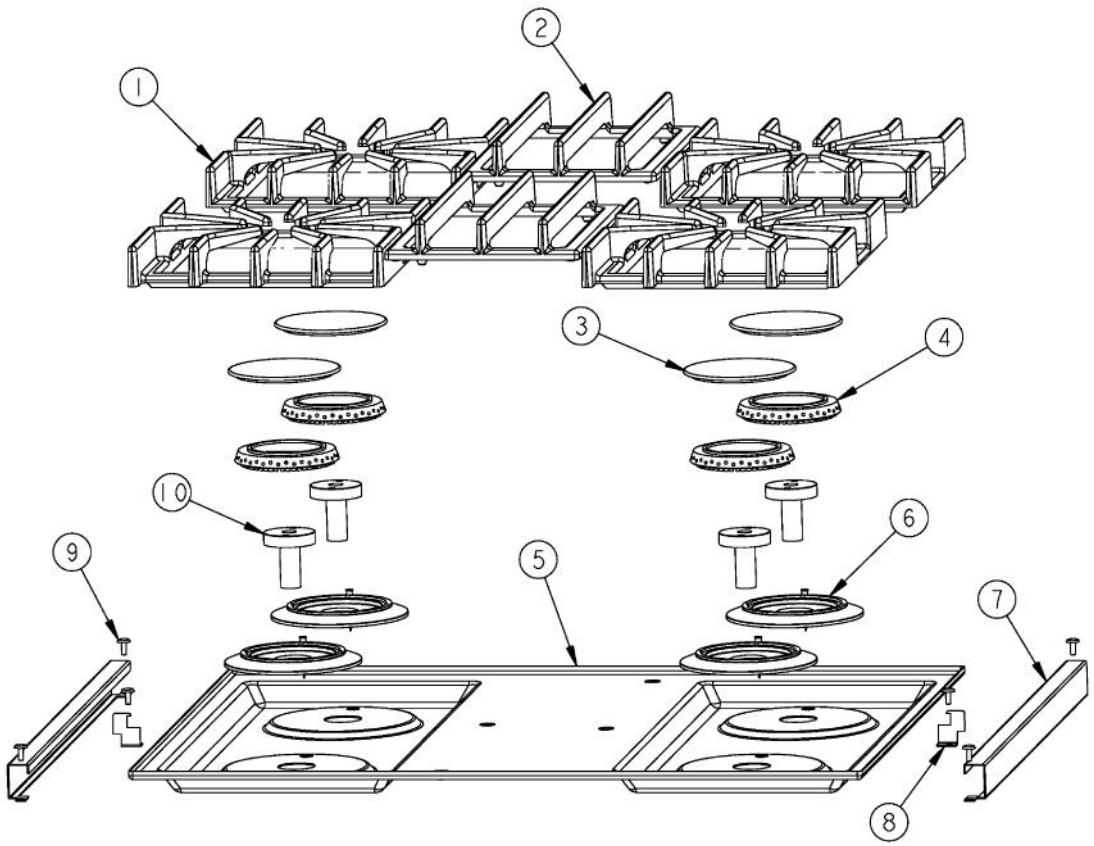
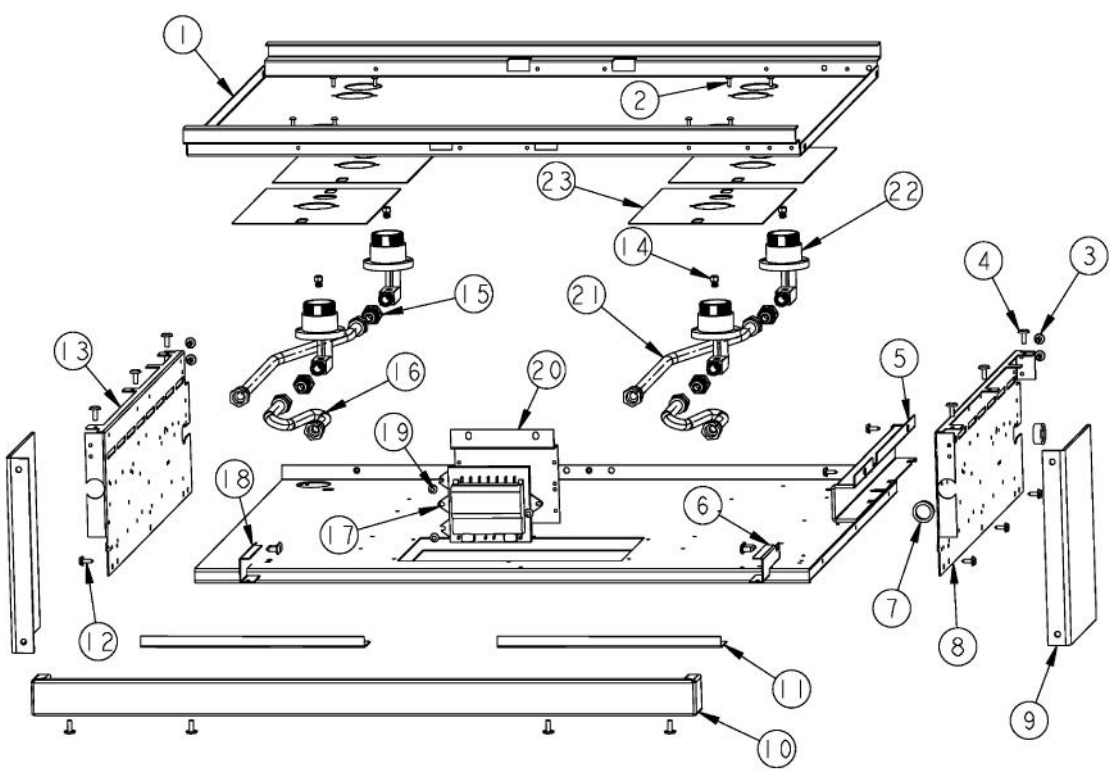


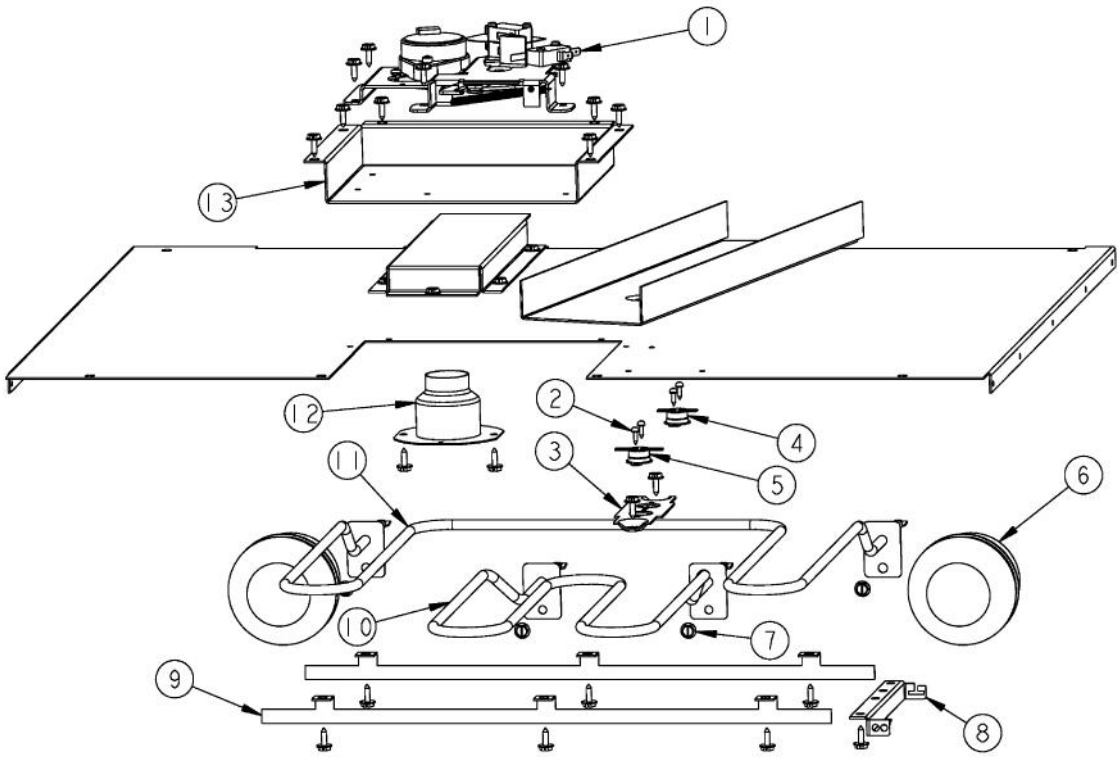
Ref #	Part Number	Qty.	Description
1	PD020002		10 X 1/2 PH.TR.HD.SMS.
2	G3006766		SEALED LANDING LEDGE ASSY
3	PD030005		SELF RETAINING NUT
4	PA070001		PRESSURE REGULATOR (NAT.)
5	PJ030001		SELECTOR SWITCH (8-POSITION) VDSC
6	PA020045		IGNITOR SWITCH
7	PA010158		SUB TO 003517-000 - SEALED BURNER FLARE VALVE
8	PA010012		ROPER PLUG
9	A1001138		MANIFOLD BRKT
10	PD010012		VALVE BOLT 1/4-20 UNC-2B 5/16 M.S.
11	PJ030037		SUB TO PS500033 - SELF CLEAN THERMOSTAT
12	PD020032		SRW-8(A)X3/8PH.WFR HD 7/16DIAXNICL
13	PB010208		BEZEL, CHROME PLATE
13	PB010209		BEZEL BRASS
14	PD020046		NO.8 X 1/2 SCREWS
15	PB010206		VGSC,VGRC,VGRT TOP BURNER KNOB(BK)
15	PB010207		VGSC,VGRC,VGRT TOP BURNER KNOB(WH)
16	PB010129		THERMOSTAT KNOB XBKX (VDSC)
16	PB010130		THERMOSTAT KNOB XWHX (VDSC)
17	PB010230		OVEN SELECT. KNOBXBKX VDSC307
17	PB010231		OVEN SELECT. KNOBXWHX VDSC307
18	PE050016		OVEN LIGHT SWITCH - XBKX (WES-GAR)
18	PE050017		OVEN LIGHT SWITCH - XWHX (WES-GAR)
19	B92010453		CONTROL PANEL -VDSC30
20	PA050113		MANIFOLD
21	PE050023		OVEN IND. LIGHT (LENS & BEZEL)
22	PE050024		OVEN IND. LIGHT (LIGHT HOUSING)
23	PD010003		10-24 X 1/2 PH.TR.HD.SERD.M.S.



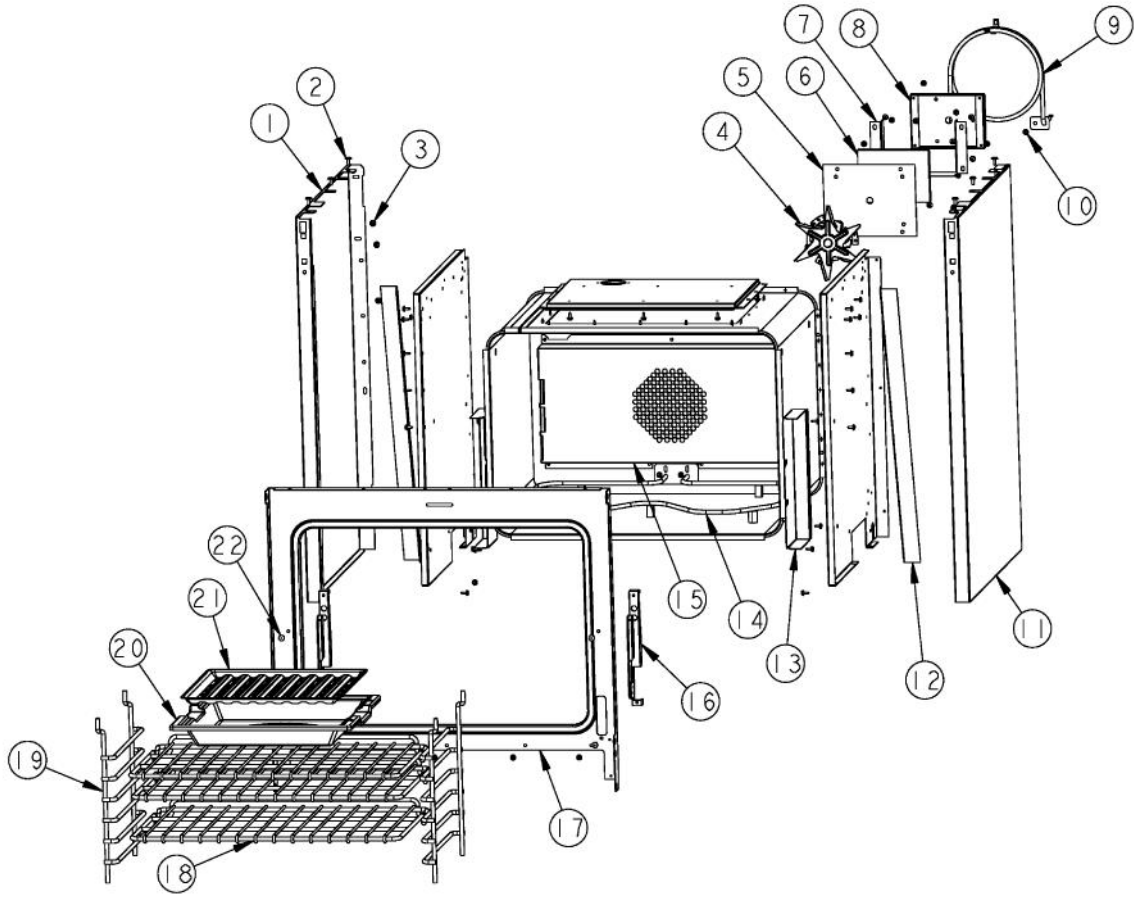
Ref #	Part Number	Qty.	Description
1	PA060054		SEALED GRATE XBKX
	PA060062		SEALED GRATE GRAY
2	PA060060		SEALED COOKTOP CENTER GRATE XBKX
	PA060061		SEALED COOKTOP CENTER GRATE GRAY
3	PA080083		D BURNER CAP XMATTE BLACKX
3	PA080086		D BURNER CAP XMATTE GRAYX
4	PB050063		BURNER HEAD (BEFORE 12/18/07)
4	001386-000		BURNER HEAD (AFTER 12/18/07)
5	E9107413AL		MAIN TOP WELD ASSY. - AL (AFTER 6/11/03)
5	E9107413BK		MAIN TOP 30 XBKX
5	E9107413BT		MAIN TOP WELD ASSY. - BT (AFTER 6/11/03)
5	E9107413CB		MAIN TOP WELD ASSY. - CB (AFTER 6/11/03)
5	E9107413EP		MAIN TOP WELD ASSY. - EP (AFTER 6/11/03)
5	E9107413FG		MAIN TOP WELD ASSY. - FG (AFTER 6/11/03)
5	E9107413GG		MAIN TOP WELD ASSY. - GG (AFTER 6/11/03)
5	E9107413LE		MAIN TOP WELD ASSY. - LE (AFTER 6/11/03)
5	E9107413MJ		MAIN TOP WELD ASSY. - MJ (AFTER 6/11/03)
5	E9107413SG		MAIN TOP 30 XSGX
5	E9107413VB		MAIN TOP WELD ASSY. - VB (AFTER 6/11/03)
5	E9107413WH		MAIN TOP 30 XWHX
6	PB050081		BURNER BASE ASSEMBLY (INCLUDES IGNITER) - BEFORE 12/18/07
6	003322-040		SEALED BURNER BASE, TURNED FINISH (INCLUDES IGNITER) - AFTER 12/18/07
7	B2007868		IC SEALED SIDE TRIM
7	C9307868BR		IC SEALED SIDE TRIM XBRX
8	A2007858		SIDE TRIM BRKT
9	PD020033		SRW-NO.10-24X1/2T(23)PH.WFR HD (NKL)
10	PA010100		VENTURI D (VDSC3074B) (BEFORE 12/18/07)
NI	003606-000		NO.6-32 SOCKET HEAD SCREW (AFTER 12/18/07)



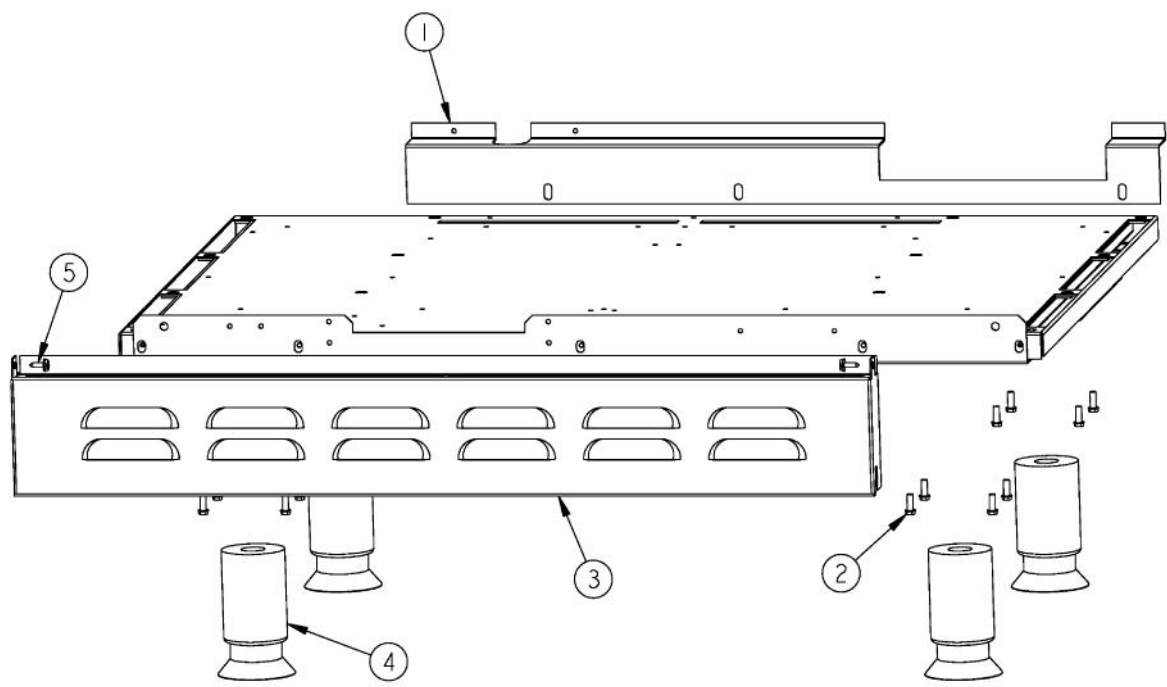
Ref #	Part Number	Qty.	Description
1	A2007852		BURNER SUPPORTS
2	PD020076		6-32 X 3/8 PHILL PAN MS
3	PD020002		10 X 1/2 PH.TR.HD.SMS.
4	PD020033		SRW-NO.10-24X1/2T(23)PH.WFR HD (NKL)
5	A2000210		WIRE CHANNEL
6	A20011467		FALSE DRIP TRAY HANDLE BRKT. RH
7	PD040005		SNAP BUSHING - 7/8
8	A2006747		BURNER BOX SIDE RH (VDSC3074B)
9	J20002593		OVEN SIDE HEAT SINK
10	B30011468		FALSE DRIP TRAY HANLDE (WELDED) - 30
10	G93011458PVD		DRIP TRAY HANDLE ASSY 30 PVD
11	A20013896		FALSE HANDLE SHIELD
12	PD020003		NO.10 X 1/2 T(A) HEX WASHER HEAD
13	A2006748		BURNER BOX SIDE LH (VDSC3074B)
14	PB040194		SEALED RANGE ORIFICE (NAT) (BEFORE 12/18/07)
14	001396-040		15K NG ORIFICE (AFTER 12/18/07)
14	PB040217		L.P. ORIFICE (BEFORE 12/18/07)
14	001396-044		13.5K LP ORIFICE (AFTER 12/18/07)
15	PA050086		5/8 MALE FLARE FITTING
16	PB020192		10 FLEX TUBING W/CONNECTORS
17	PA020047		INVENSYS 0+4 RE-IGNITION SPARK MODULE
18	A20011466		FALSE DRIP TRAY HANDLE BRKT. LH
19	PD020004		10X3/8PH.HD.TYPE 25 REPL PD040125
20	A2007855		SPARK MODULE BRKT
21	PB020193		16 FLEX TUBING W/CONNECTORS
22	PA080075		BODY BURNER D (VDSC3074BSS) (BEFORE 12/18/07)
22	001394-042		15000 BTU NAT JETHOLDER (AFTER 12/18/07)
22	001394-043		13500 BTU LP JETHOLDER (AFTER 12/18/07)
23	A1006374		BODY BURNER PLATE



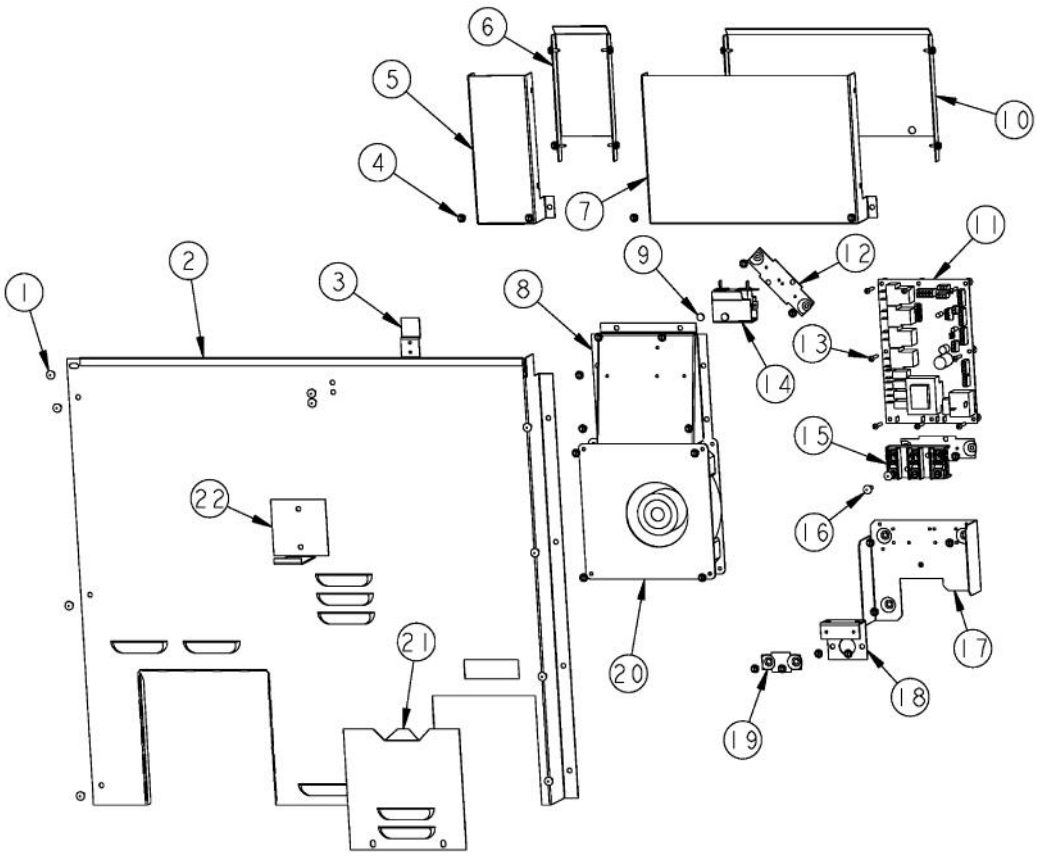
Ref #	Part Number	Qty.	Description
1	PE050053		DR LATCH REPL PE050020
2	PD020013		TYPE AB NO.6 X 3/8 PH PAN HD. SMS
3	A10014918		THERMODISC BRACKET
4	PJ030006		SWITCH (COOLING FAN)
5	PJ030005		SWITCH (HIGH-LIMIT) VDSC
6	PE050009		OVEN LIGHT SOCKET - 36 BUILT-IN
7	PD020003		NO.10 X 1/2 T(A) HEX WASHER HEAD
8	B20012039		THERMAL BULB BRACKET
9	B20012072		BROILER ELEMENT BRACKET
10	PJ010001		BROIL ELEMENT 240V
11	PJ010002		BROIL ELEMENT(MAXI)-SIDE (VDSC)240V
12	PM010014		SMOKE ELIMINATOR (VDSC)
13	A2002168		DOOR LATCH BRKT (VDSC)
NI	A20015409		DOOR LOCK AIR DIVERTER



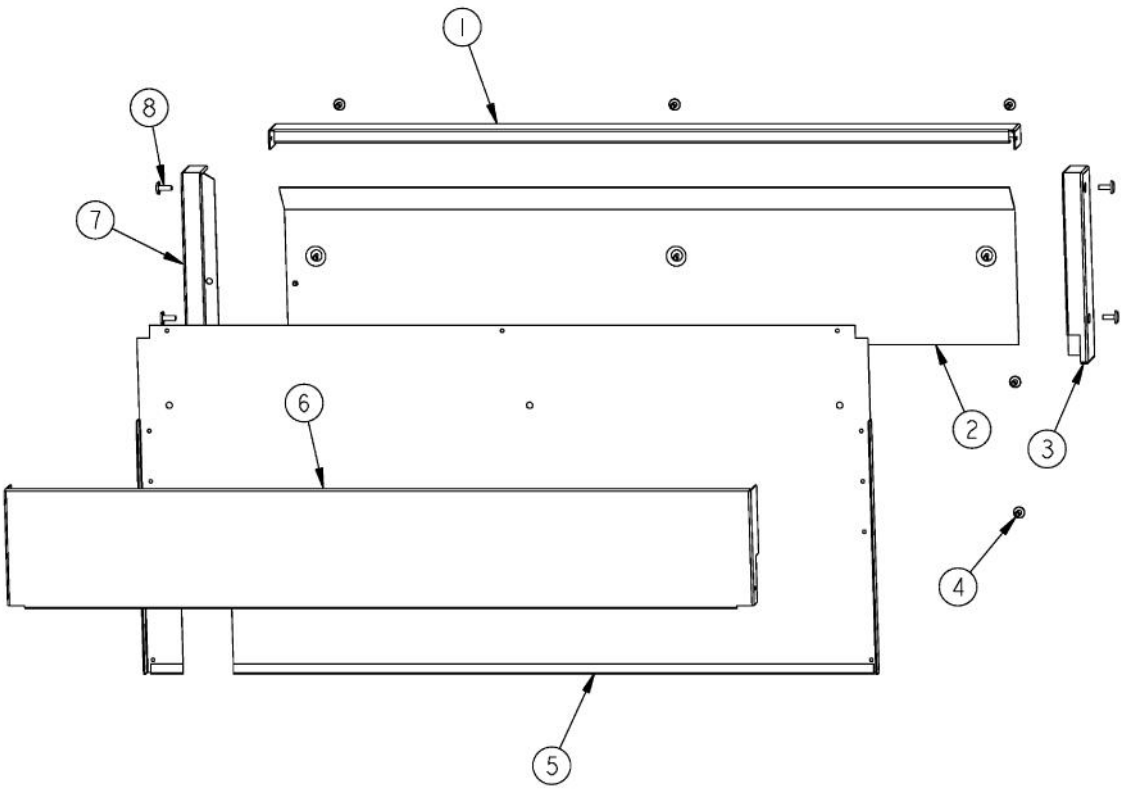
Ref #	Part Number	Qty.	Description
1	B2007870		IC SEALED LH SIDE PANEL
1	C9007870AL		IC SEALED LH SIDE PANEL XALX
1	C9007870BK		IC SEALED LH SIDE PANEL XBKX
1	C9007870BT		IC SEALED LH SIDE PANEL XBTX
1	C9007870BU		IC SEALED LH SIDE PANEL XBUX
1	C9007870CB		IC SEALED LH SIDE PANEL XCBX
1	C9007870EP		IC SEALED LH SIDE PANEL XEPX
1	C9007870FG		IC SEALED LH SIDE PANEL XFGX
1	C9007870GG		IC SEALED LH SIDE PANEL XGGX
1	C9007870LE		IC SEALED LH SIDE PANEL XLEX
1	C9007870MJ		IC SEALED LH SIDE PANEL XMJX
1	C9007870SG		IC SEALED LH SIDE PANEL XSGX
1	C9007870VB		IC SEALED LH SIDE PANEL XVBX
1	C9007870WH		IC SEALED LH SIDE PANEL XWHX
2	PD020033		SRW-NO.10-24X1/2T(23)PH.WFR HD (NKL)
3	PD020002		10 X 1/2 PH.TR.HD.SMS.
4	PE050005		CONVECTION FAN ASSY
5	A1002596		CONVECTION FAN COVER (VDSC)
6	PB070208		CONVECTION FAN INSULATION
7	A2008440		ALL SIDE FAN INSULATION SHIELD
8	A2002595		CONVECTION FAN BOX (VDSC)
9	PJ010003		CONVECTION ELEMENT (VDSC) 240V
10	PD020003		NO.10 X 1/2 T(A) HEX WASHER HEAD
11	B2007869		IC SEALED RH SIDE PANEL
11	C9007869AL		IC SEALED RH SIDE PANEL XALX
11	C9007869BK		IC SEALED RH SIDE PANEL XBKX
11	C9007869BT		IC SEALED RH SIDE PANEL XBTX
11	C9007869BU		SEALED RH SIDE PANEL XBUX
11	C9007869CB		IC SEALED RH SIDE PANEL XCBX
11	C9007869EP		IC SEALED RH SIDE PANEL XEPX
11	C9007869FG		IC SEALED RH SIDE PANEL XFGX
11	C9007869GG		IC SEALED RH SIDE PANEL XGGX
11	C9007869LE		IC SEALED RH SIDE PANEL XLEX
11	C9007869MJ		IC SEALED RH SIDE PANEL XMJX
11	C9007869SG		IC SEALED RH SIDE PANEL XSGX
11	C9007869VB		IC SEALED RH SIDE PANEL XVBX
11	C9007869WH		IC SEALED RH SIDE PANEL XWHX
12	A2002475		SIDE PANEL DIVERTER (VDSC)
13	A2002183		HINGE INSULATION COVER (VDSC)
14	PJ010004		BAKE ELEMENT (VDSC) 240V
15	E9102170		CONVECTION FAN COVER
16	PC020009		HINGE ASSY (BROWN)
17	G9102743		OVEN FRONT FRAME ASSY (VDSC30)
18	PB060044		OVEN RK VDSC30/48RH REPL PB060019
19	PB060030		RACK SUPT REPL PB060010
20	E9107933		BROILER PAN
21	E9107934		BROILER PAN INSERT
22	PD020014		10X3/4 PH TR HD SMS



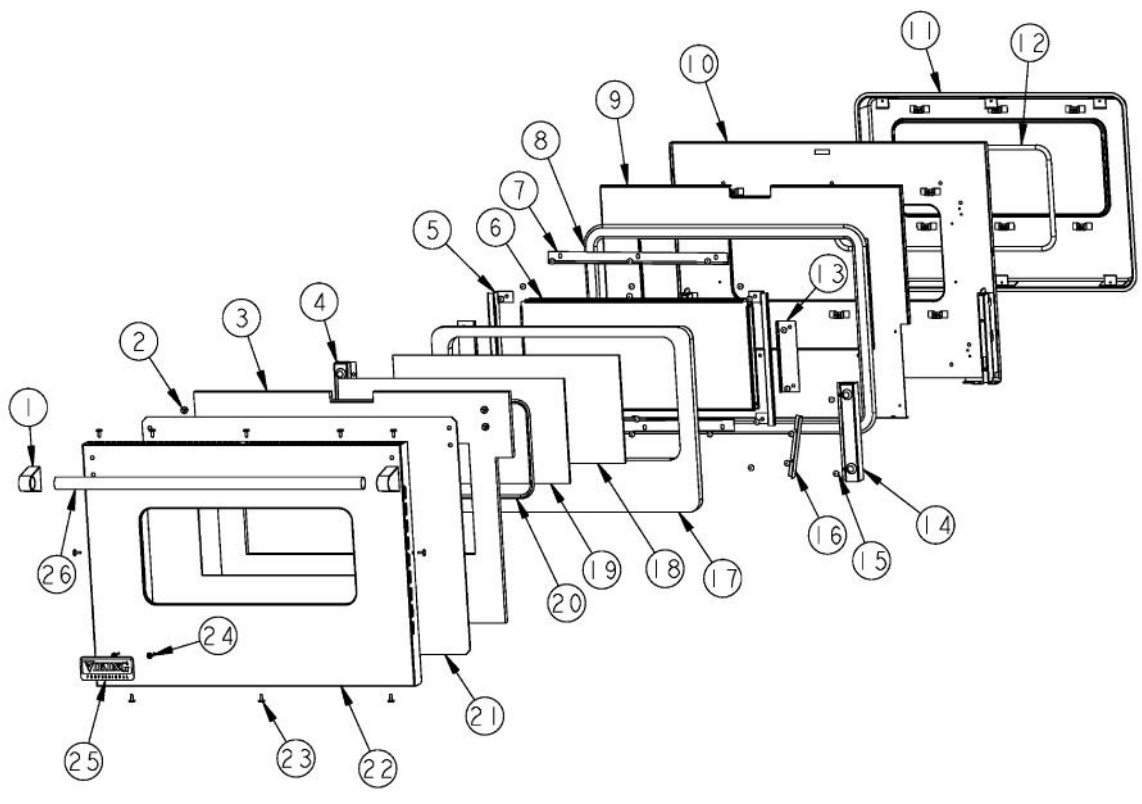
Ref #	Part Number	Qty.	Description
1	A2004294		LOWER BACK COVER (VDSC305)
2	PD020060		10 X 1/2 (5/16)HEX WSHER HD.(T)A
3	B2001815		LOWER ACC PAN - (VGRC605)
3	C9001815AL		LOWER ACC PAN - XALX (VGRC605)
3	C9001815BK		LOWER ACC PAN - XBKX (VGRC605)
3	C9001815BT		LOWER ACC PAN - XBTX (VGRC605)
3	C9001815BU		LOWER ACC PAN - XBUX (VGRC605)
3	C9001815CB		LOWER ACC PAN - XCBX (VGRC605)
3	C9001815EP		LOWER ACC PAN - XEPX (VGRC605)
3	C9001815FG		LOWER ACC PAN - XFGX (VGRC605)
3	C9001815GG		LOWER ACC PAN - XGGX (VGRC605)
3	C9001815LE		LOWER ACC PAN - XLEX (VGRC605)
3	C9001815MJ		LOWER ACC PAN - XMJX (VGRC605)
3	C9001815SG		LOWER ACC PAN - XSGX (VGRC605)
3	C9001815VB		LOWER ACC PAN - XVBX (VGRC605)
3	C9001815WH		LOWER ACC PAN - XWHX (VGRC605)
4	PC030017		4 LEG ASSY
5	PD020003		NO.10 X 1/2 T(A) HEX WASHER HEAD



Ref #	Part Number	Qty.	Description
1	PD020002		10 X 1/2 PH.TR.HD.SMS.
2	A2004297		UPPER BACK COVER (VDSC305)
3	A2005735		BACKGUARD SUPPORT BRACKET
4	PD020003		NO.10 X 1/2 T(A) HEX WASHER HEAD
5	A2002484		AIR FLUE (VDSC)
6	A2002483		AIR FLUE (VDSC)
7	A2002486		AIR FLUE (LARGE-BACK) VDSC
8	A2002180		COOLING FAN HOUSING (VDSC)
9	PD020044		NO.8-32 X 1/4 PH. TR. HD. M.S.
10	A2002485		AIR FLUE (LARGE-FRONT) VDSC
11	PE070786		ELECTRONIC CONTROL BOARD
12	A1002456		THERMO-DISC BRKT (VDSC)
13	PD020185		NO.6 X 1 PAN HEAD SCREW
14	PJ030002		AUTO RESET (SELF-CLEAN) VDSC
15	PE070147		TERMINAL BLOCK
16	PD020014		10X3/4 PH TR HD SMS
17	A2002193		ELECTRICAL MOUNTING BRKT (VDSC)
18	A2002195		POWER CORD MOUNTING BRKT (VDSC)
19	A1002457		POWER CORD MOUNTING STRAP (VDSC)
20	PE050026		COOLING FAN (VDSC)
21	A2002454		BACK COVER ACCESS DOOR
22	A2002654		ANTI-TIP DEVICE (VDSC)



Ref #	Part Number	Qty.	Description
1	B2001782		BACKGUARD TOP (VGRT30)
2	B20010164		VENT BAFFLE
3	B3006728		SEALED VDSC BACKGUARD ENDCAP (RH)
4	PD020002		10 X 1/2 PH.TR.HD.SMS.
5	A2001799		BACKGUARD BACK (6) VGRT30
6	B2006727		SEALED VDSC BACKGUARD FRONT
7	B3006729		SEALED VDSC BACKGUARD ENDCAP (LH)
8	PD020033		SRW-NO.10-24X1/2T(23)PH.WFR HD (NKL)
NI	G3206730		SEALED VDSC6`` BACKGUARD ASSY

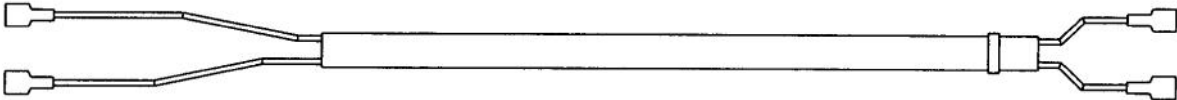


Ref #	Part Number	Qty.	Description
1	PE030001		BRACKET, DOOR, HANDLE
1	PE030001PVD		END CAP DOOR HANDLE XBR
2	PD010019		BLT-1/4-20X3/8HEX WASHER SERATED
3	PB070145		SUPERWOOL 5 X 24 X 3`
4	A2002499		HINGE POCKET COVER LH
5	A2002367		DOOR GLASS BRKT
6	PE060064		WINDOW PACK, SELF CLEANING OVEN 30
7	A2007943		GLASSPACK BRACKET, LARGE
8	PB070041		SUB TO 000623-000 - DOOR GASKET(3/8DIA.) (VDSC)
9	A2002169		DOOR INSULATION RETAINER (VDSC30)
10	G9102747		DR LINER ASY(VDSC30/48)REP H9102173
11	G9102745		DR PG ASSY VDSC30/48 RE H9102175
12	PB070150		FIBERGLASS ROPE, 3/8 DIA.
13	A2002189		DOOR GLASS STANDOFF (VDSC)
14	A2002498		HINGE POCKET COVER RH
15	PD020002		10 X 1/2 PH.TR.HD.SMS.
16	A2002497		DOOR GUIDE ANGLE VDSC
17	PB070076		WOOL INSULATION 1 X 21 X 3`
18	PE060039		GLASS-HEAT TREATED (HB2) VDSC
19	PE060030		GLASS-OUTER DOOR BK SCREENED,TEMP
20	PE060031		J-MOLD (LARGE WINDOW)
20	PE060045		J-MOLD (LARGE WINDOW) XBRX
21	J1002594		OVEN DR HEAT SINK (VDSC30)
22	B2002188		O/S DOOR PANEL XSSX (VDSC30)
22	C9002188AL		O/S DOOR PANEL-XALX (VDSC30)
22	C9002188BK		O/S DOOR PANEL-XBKX (VDSC30)
22	C9002188BT		O/S DOOR PANEL-XBTX (VDSC30)
22	C9002188BU		O/S DOOR PANEL-XBUX (VDSC30)
22	C9002188CB		O/S DOOR PANEL-XCBX (VDSC30)
22	C9002188EP		O/S DOOR PANEL-XEPX (VDSC30)
22	C9002188FG		O/S DOOR PANEL-XFGX (VDSC30)
22	C9002188GG		O/S DOOR PANEL-XGGX (VDSC30)
22	C9002188LE		O/S DOOR PANEL-XLEX (VDSC30)
22	C9002188MJ		O/S DOOR PANEL-XMJX (VDSC30)
22	C9002188SG		O/S DOOR PANEL-XSGX (VDSC30)
22	C9002188VB		O/S DOOR PANEL-XVBX (VDSC30)
22	C9002188WH		O/S DOOR PANEL-XWHX (VDSC30)
23	PD020033		SRW-NO.10-24X1/2T(23)PH.WFR HD (NKL)
24	PD030006		CAPPED WASHER PAL NUT
25	PE010016		NAMEPLATE, LOGO, PRO
25	PE010017		LOGO (VGSO,VEDO,VGDO,VUD) XWH/CHR
25	PE010079		4.5 LOGO/VIKING PROF, BK/BR
25	PE010080		4.5 LOGO/VIKING PROF XWH/BR
26	PE030005		DOOR HANDLE - VGSC30/RC60/RC48RH
26	PE030012PVD		DOOR HANDLE - RH - (30/48) PVD
26	G3202172AL		DOOR SUB-ASSY-XALX (VDSC30)
26	G3202172ALBR		DOOR SUB-ASSY-XALXXBRX VDSC30
26	G3202172BK		DOOR SUB-ASSY-XBKX (VDSC30)
26	G3202172BKBR		DOOR SUB-ASSY-XBKXXBRX (VDSC30)
26	G3202172BT		DOOR SUB-ASSY-XBTX (VDSC30)
26	G3202172BTBR		DOOR SUB-ASSY-XBTXXBRX (VDSC30)
26	G3202172BU		DOOR SUB-ASSY-XBUX (VDSC30)
26	G3202172BUBR		DOOR SUB-ASSY-XBUXXXBRX (VDSC30)
26	G3202172CB		DOOR SUB-ASSY-XCBX (VDSC30)
26	G3202172CBBR		DOOR SUB-ASSY-XCBXXBR VDSC30
26	G3202172EP		DOOR SUB-ASSY-XEPX(VDSC30)
26	G3202172EPBR		DOOR SUB-ASSY-XEPXXBRX (VDSC30)
26	G3202172FG		DOOR SUB-ASSY-XFGX (VDSC30)
26	G3202172FGBR		DOOR SUB-ASSY-XFGXXBRX (VDSC30)
26	G3202172GG		DOOR SUB-ASSY-XGGX (VDSC30)

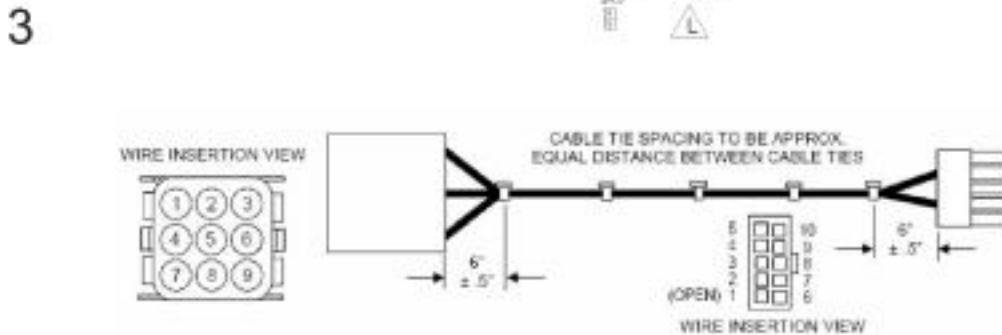
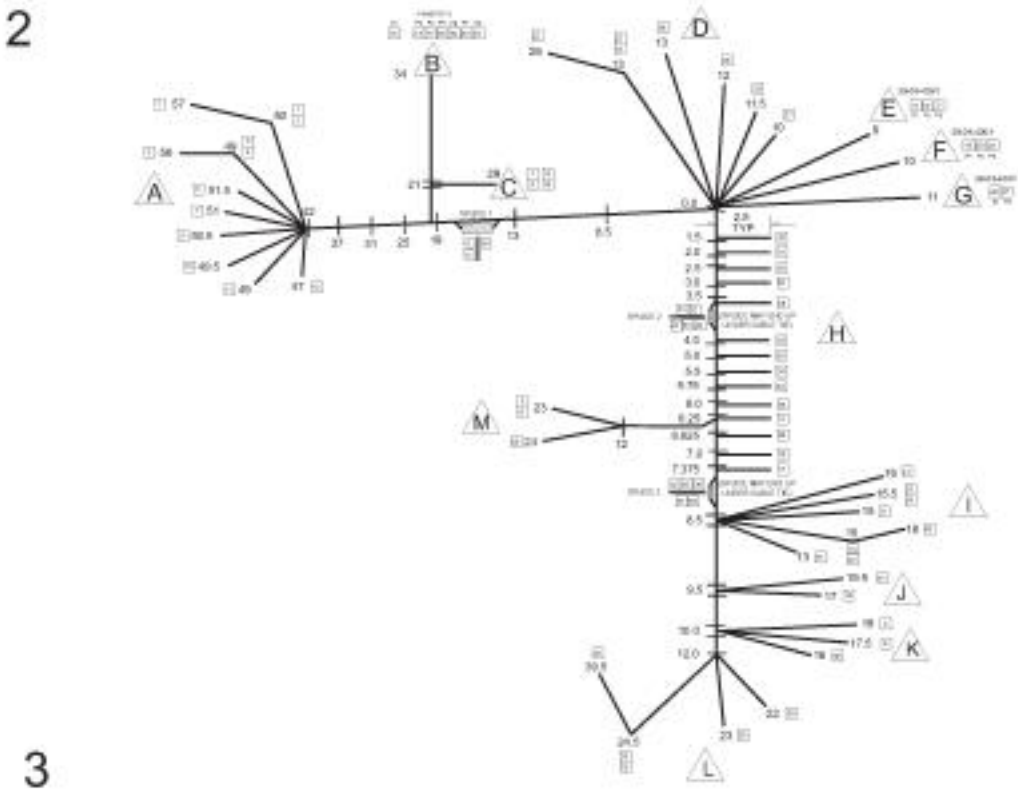
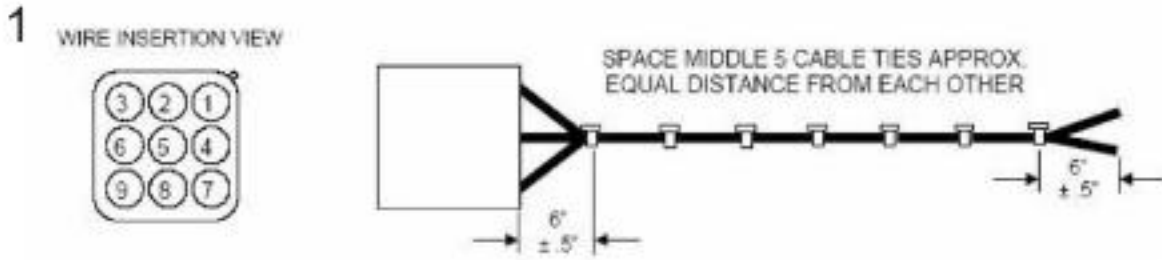
Ref #	Part Number	Qty.	Description
26	G3202172GG		DOOR SUB-ASSY-XGGX (VDSC30)
26	G3202172GGBR		DOOR SUB-ASSY-XGGX (VDSC30)
26	G3202172LE		DOOR SUB-ASSY-LEX (VDSC30)
26	G3202172LEBR		DOOR SUB-ASSY-XLEXBRX (VDSC30)
26	G3202172MJ		DOOR SUB-ASSY-XMJX (VDSC30)
26	G3202172MJBR		DOOR SUB-ASSY-XMJXXBRX VDSC30
26	G3202172SG		DOOR SUB-ASSY-XSGX (VDSC30)
26	G3202172SGBR		DOOR SUB-ASSY-XSGXXBRX VDSC30
26	G3209181SS		DOOR ASSY 30 XSSX
26	G3209181SSBR		DOOR ASSY 30 XSSBRX
26	G3202172VB		DOOR SUB-ASSY-XVBX (VDSC30)
26	G3202172VBBR		DOOR SUB-ASSY-XVBXXBRX (VDSC30)
26	G3202172WH		DOOR SUB-ASSY-XWHX (VDSC30)

1

NOTE: EACH "KIT" WILL CONTAIN SEVERAL SETS OF IGNITOR WIRES (AS SHOWN BELOW). THESE SHOULD BE BUNDLED TOGETHER WITH TAPE & LABELED WITH THE KIT PURC. # , AND THE MODEL USAGE #.

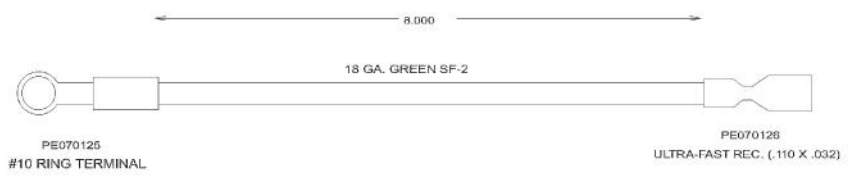


Ref #	Part Number	Qty.	Description
1	PE070713		IGNITOR WIRE KIT - VGIC/VDSC/VGSC307



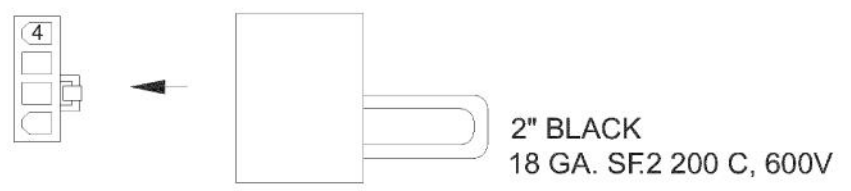
Ref #	Part Number	Qty.	Description
1	PE070779		RH 8 POS SELECTOR HARNESS
2	PE070781		RH MAIN OVEN HARNESS
3	PE070780		RH REAR SELECTOR HARNESS

1



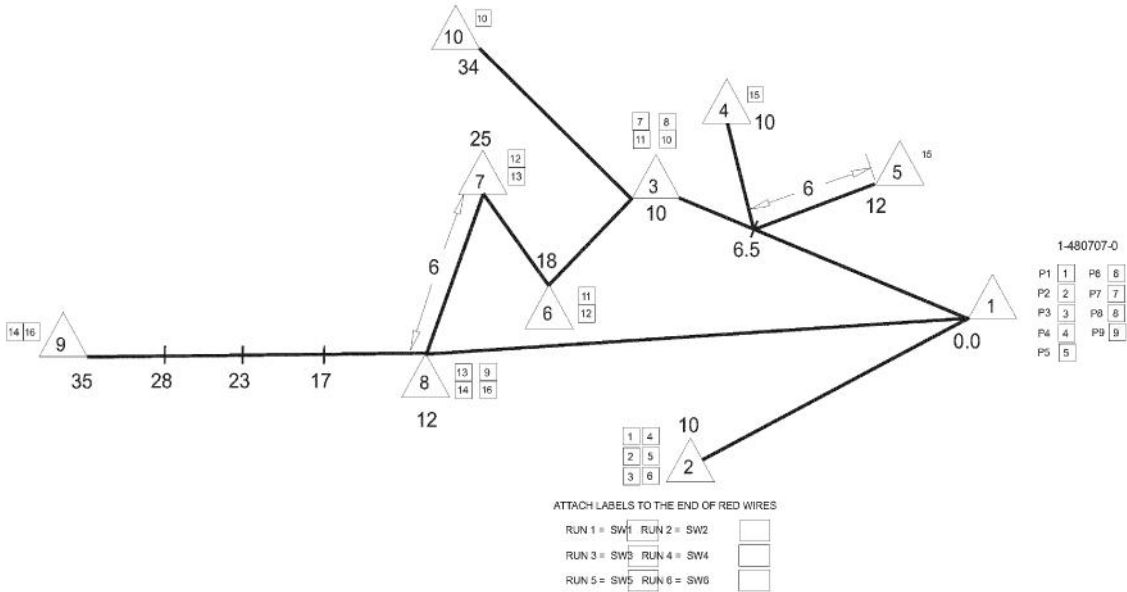
2

- 1 -
- 2 -
- 3 - BLACK
- 4 - BLACK

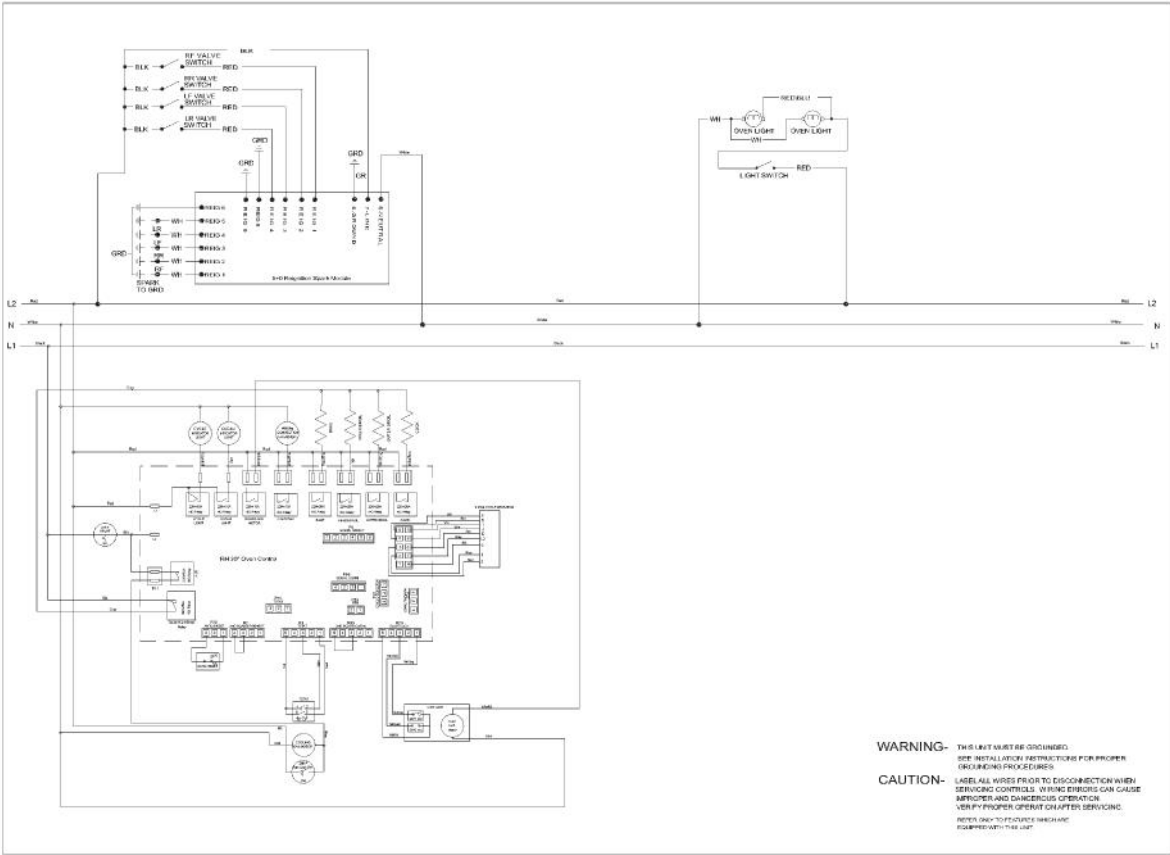


Ref #	Part Number	Qty.	Description
1	G4000936		GROUND WIRE
2	PE070624		SINGLE PREHEAT JUMPER

Ref #	Part Number	Qty.	Description
1	PE070811		VDSC307/305 WIRE HARNESS



Ref #	Part Number	Qty.	Description
1	PE070783		6 POSITION SPARK MOD HARNESS



Ref #	Part Number	Qty.	Description
-------	-------------	------	-------------
