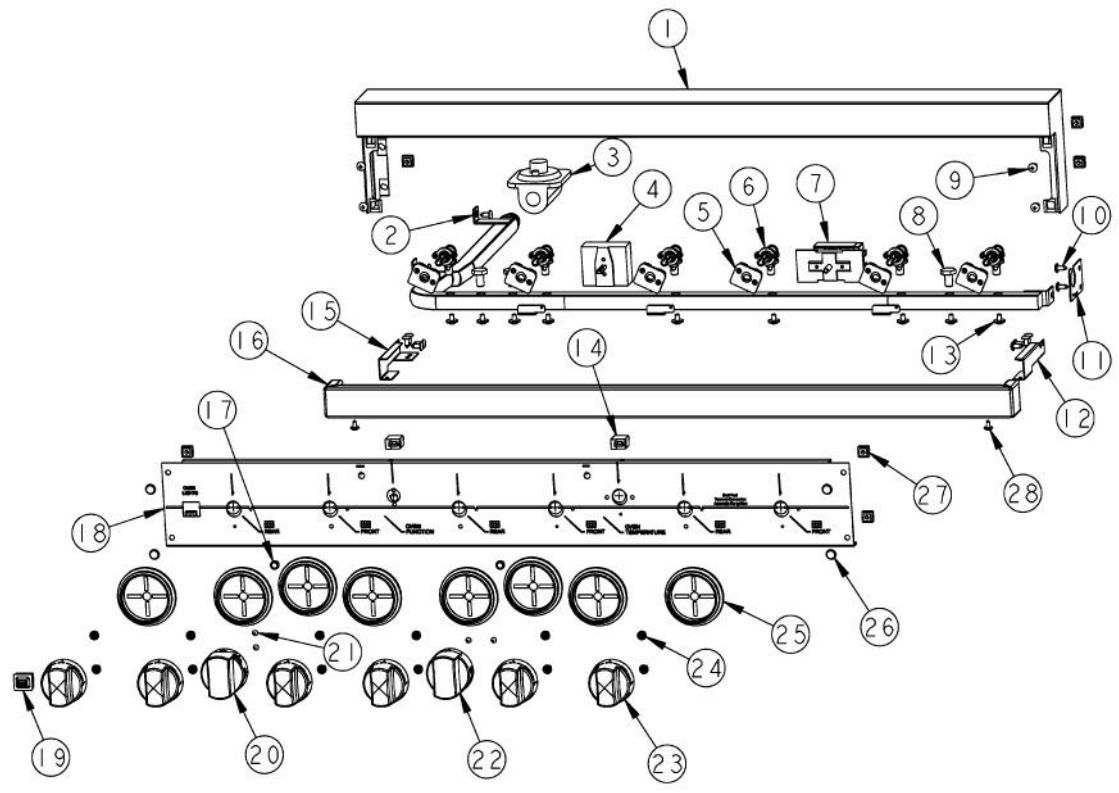
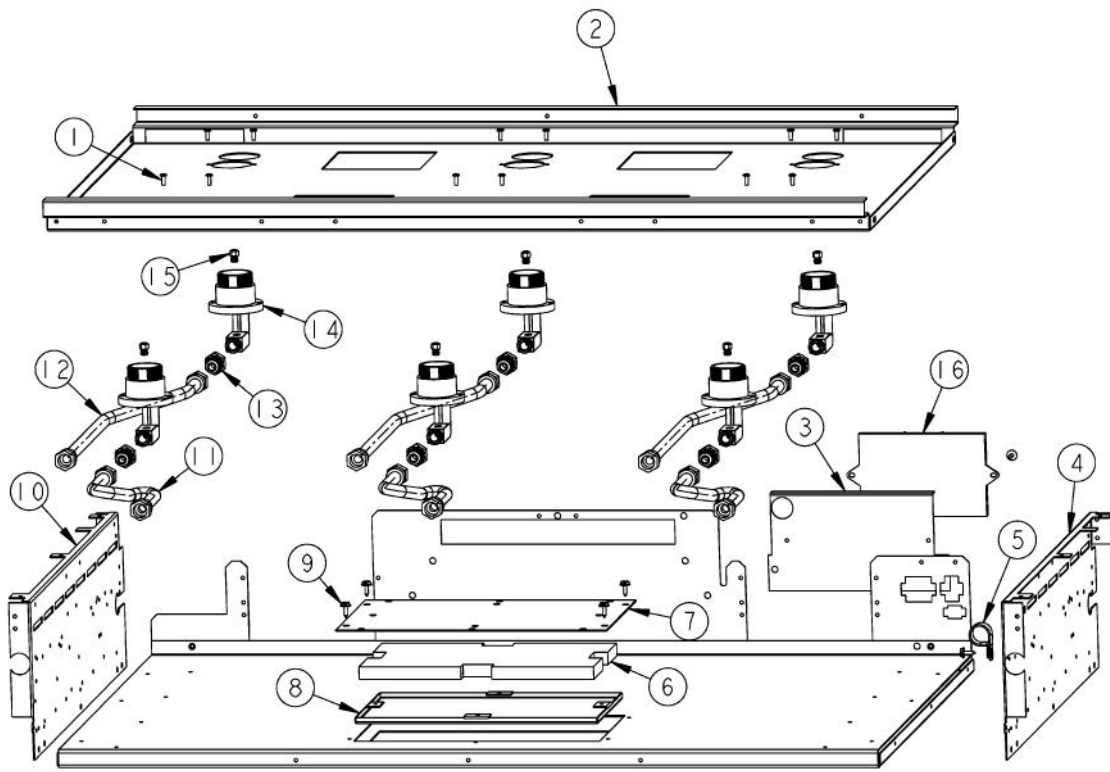


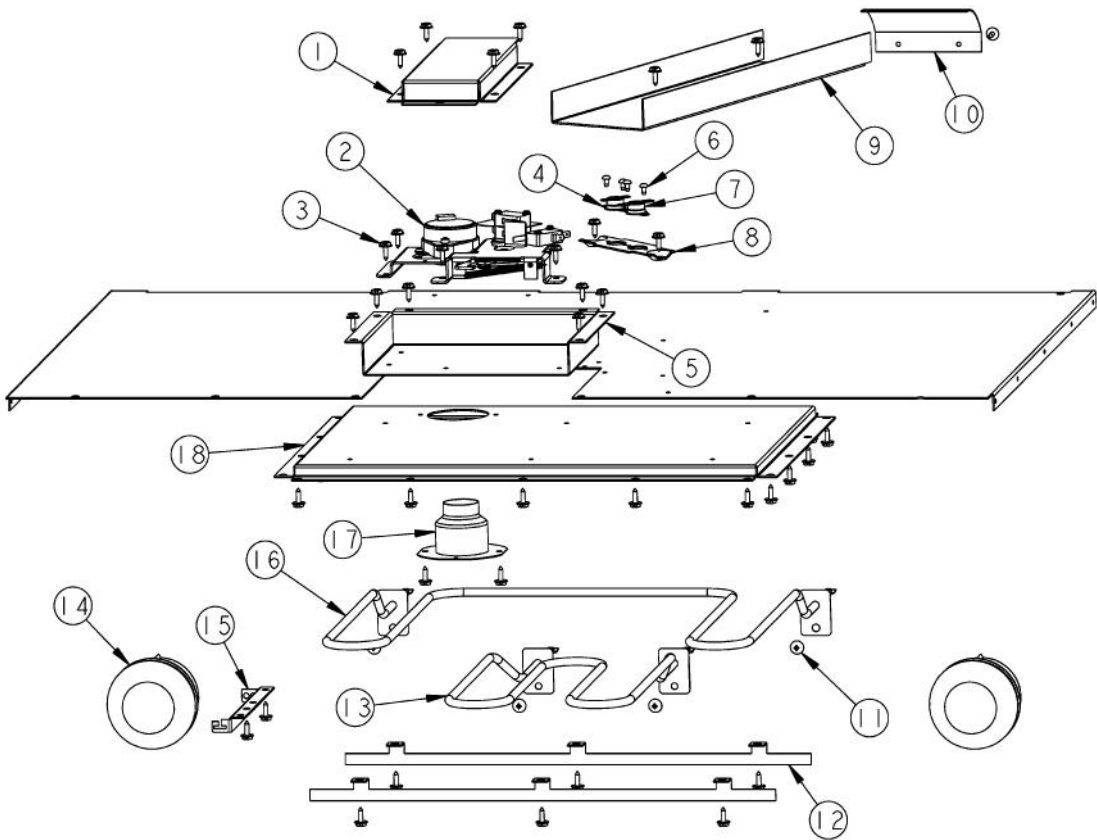
Ref #	Part Number	Qty.	Description
1	PA060054		SEALED GRATE XBKX
2	PA080083		D BURNER CAP XMATTE BLACKX
3	PB050063		BURNER HEAD (BEFORE 12/18/07)
	001386-000		BURNER HEAD (AFTER 12/18/07)
4	PA010100		VENTURI D (VDSC3074B) (BEFORE 12/18/07)
5	PB050081		BURNER BASE ASSEMBLY (INCLUDES IGNITER) - BEFORE 12/18/07
	003322-040		SEALED BURNER BASE, TURNED FINISH (INCLUDES IGNITER) - AFTER 12/18/07
6	B2007868		IC SEALED SIDE TRIM
	C9307858BR		SIDE TRIM - BR
7	A2007858		SIDE TRIM BRKT
8	E9108439BK		MAIN TOP (VGRT3626B) XBKX
	E9108439WH		MAIN TOP (VGRT3626B) XWHX
9	PD020032		SRW-8(A)X3/8PH.WFR HD 7/16DIAXNICL
NI	003606-000		NO.6-32 SOCKET HEAD SCREW (AFTER 12/18/07)



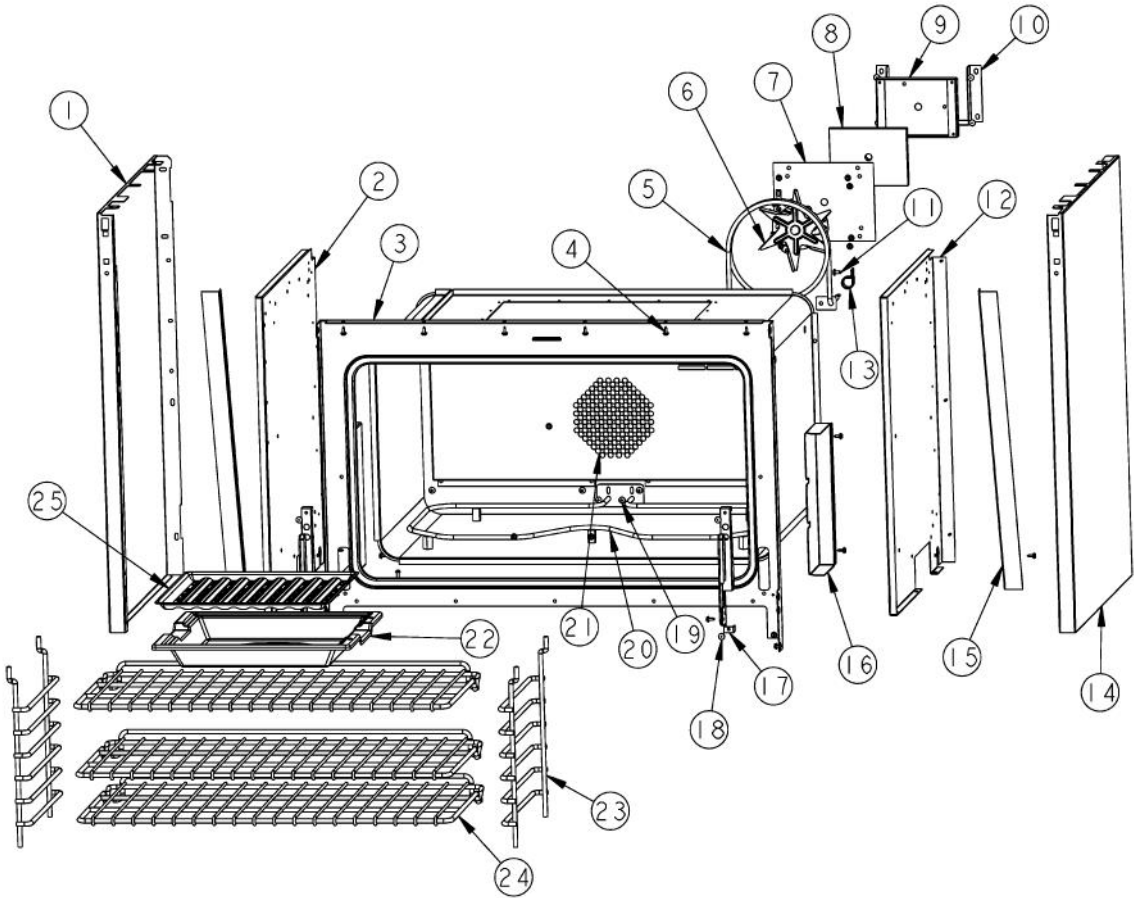
Ref #	Part Number	Qty.	Description
1	G3009151		36 SEALED LANDING LEDGE ASSY
2	PA050114		MANIFOLD
3	PA070001		PRESSURE REGULATOR (NAT.)
4	PJ030001		SELECTOR SWITCH (8-POSITION) VDSC
5	PA020045		IGNITOR SWITCH
6	PA010158		SUB TO 003517-000 - SEALED BURNER FLARE VALVE
7	PJ030037		SUB TO PS500033 - SELF CLEAN THERMOSTAT
8	PA010012		ROPER PLUG
9	PD010003		10-24 X 1/2 PH.TR.HD.SERD.M.S.
10	PD020002		10 X 1/2 PH.TR.HD.SMS.
11	A1001138		MANIFOLD BRKT
12	A20011467		FALSE DRIP TRAY HANDLE BRKT. RH
13	PD010012		VALVE BOLT 1/4-20 UNC-2B 5/16 M.S.
14	PE050024		OVEN IND. LIGHT (LIGHT HOUSING)
15	A20011466		FALSE DRIP TRAY HANDLE BRKT. LH
16	B30011469		FALSE DRIP TRAY HANDLE (WELDED) 36
	G93011459PVD		DRIP TRAY HANDLE ASSY 36 PVD
17	PE050023		OVEN IND. LIGHT (LENS & BEZEL)
18	B92010437		CONTROL PANEL VDSC36-6B
19	PE050016		OVEN LIGHT SWITCH - XBKX (WES-GAR)
	PE050017		OVEN LIGHT SWITCH - XWHX (WES-GAR)
20	PB010230		OVEN SELECT. KNOB XBKX VDSC307
	PB010231		OVEN SELECT. KNOB XWHX VDSC307
21	PD020006		NO.6-32 X 1/4 PH.PAN HD. T(F)
22	PB010129		THERMOSTAT KNOB XBKX (VDSC)
	PB010130		THERMOSTAT KNOB XWHX (VDSC)
23	PB010206		VGSC,VGRC,VGRT TOP BURNER KNOB(BK)
	PB010207		VGSC,VGRC,VGRT TOP BURNER KNOB(WH)
24	PD020067		NO.6 X 3/8 PAN PHIL. TEK SS
25	PB010208		BEZEL, CHROME PLATE
	PB010209		BEZEL BRASS
26	PD020033		SRW-NO.10-24X1/2T(23)PH.WFR HD (NKL)
27	PD030005		SELF RETAINING NUT
28	PD020032		SRW-8(A)X3/8PH.WFR HD 7/16DIAXNCL



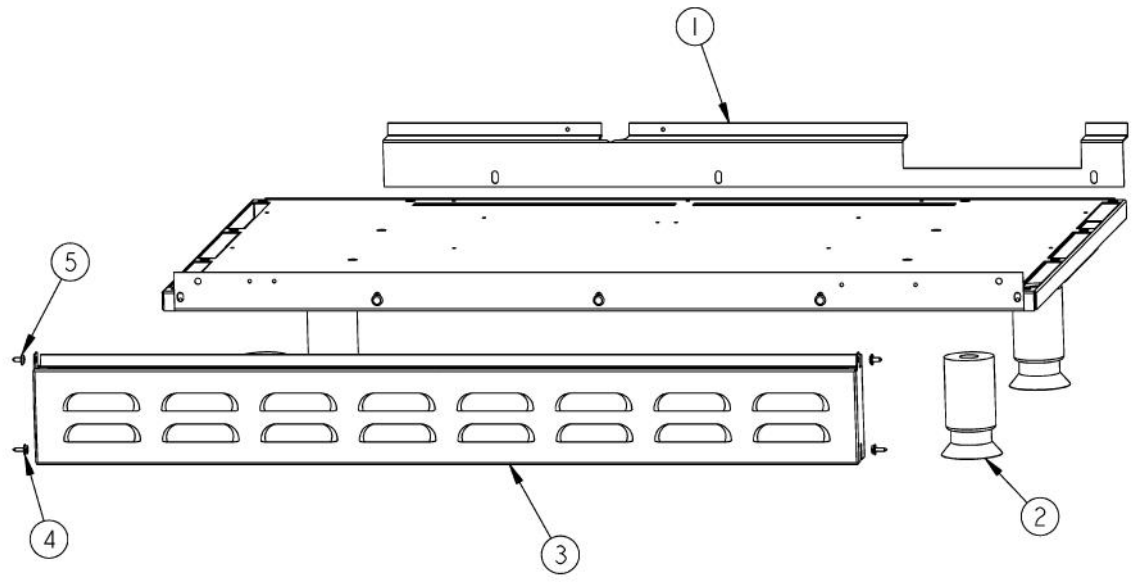
Ref #	Part Number	Qty.	Description
1	PD020076		6-32 X 3/8 PHILL PAN MS
2	A2007859		6B BURNER SUPPORT (VGIC367)
3	A20016220		OUTSIDE BACK TOP PLATE
4	A2006747		BURNER BOX SIDE RH (VDSC3074B)
5	PD030109		INSULATED CLAMP
6	PB070268		DOOR LOCK BOX INSULATION
7	A1006344		DOOR LOCK ACCESS PANEL 48
8	A20011246		VDSC487 DOOR LOCK INSUL. BOX
9	PD020003		NO.10 X 1/2 T(A) HEX WASHER HEAD
10	A2006748		BURNER BOX SIDE LH (VDSC3074B)
11	PB020192		10 FLEX TUBING W/CONNECTORS
12	PB020193		16 FLEX TUBING W/CONNECTORS
13	PA050086		5/8 MALE FLARE FITTING
14	PA080075		BODY BURNER D (VDSC3074BSS) (BEFORE 12/18/07)
	001394-042		15000 BTU NAT JETHOLDER (AFTER 12/18/07)
	001394-043		13500 BTU LP JETHOLDER (AFTER 12/18/07)
15	PB040194		SEALED RANGE ORIFICE (NAT) (BEFORE 12/18/07)
	001396-000		NATURAL GAS ORIFICE (AFTER 12/18/07)
	PB040217		L.P. ORIFICE (BEFORE 12/18/07)
	005990-000		1.10 MM LP BTU ORIFICE (AFTER 12/18/07)
16	PA020048		INVENSYS 0+6 RE-IGNITION SPARK MODULE



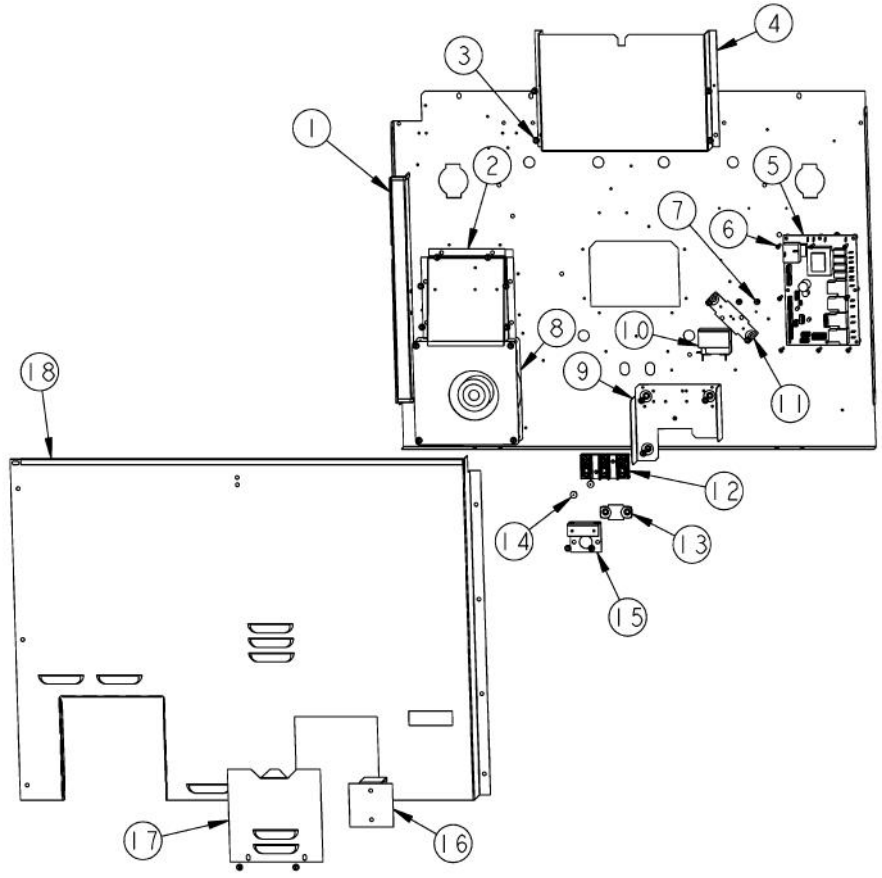
Ref #	Part Number	Qty.	Description
1	A2002479		SMOKE ELIMINATOR VENT (VDSC)
2	PE050053		DR LATCH REPL PE050020
3	PD020003		NO.10 X 1/2 T(A) HEX WASHER HEAD
4	PJ030006		SWITCH (COOLING FAN)
5	A2002168		DOOR LATCH BRKT (VDSC)
6	PD020006		NO.6-32 X 1/4 PH.PAN HD. T(F)
7	PJ030005		SWITCH (HIGH-LIMIT) VDSC
8	A10014918		THERMODISC BRACKET
9	A2002450		LATCH COOLING DUCT (VDSC)
10	A2002478		AIR SCOOP (VDSC)
11	PD010003		10-24 X 1/2 PH.TR.HD.SERD.M.S.
12	B20012072		BROILER ELEMENT BRACKET
13	PJ010001		BROIL ELEMENT 240V
14	PE050009		OVEN LIGHT SOCKET - 36 BUILT-IN
15	B20012039		THERMAL BULB BRACKET
16	PJ010002		BROIL ELEMENT(MAXI)-SIDE (VDSC)240V
17	PM010014		SMOKE ELIMINATOR (VDSC)
18	B20010312		30 BROILER DEFLECTOR



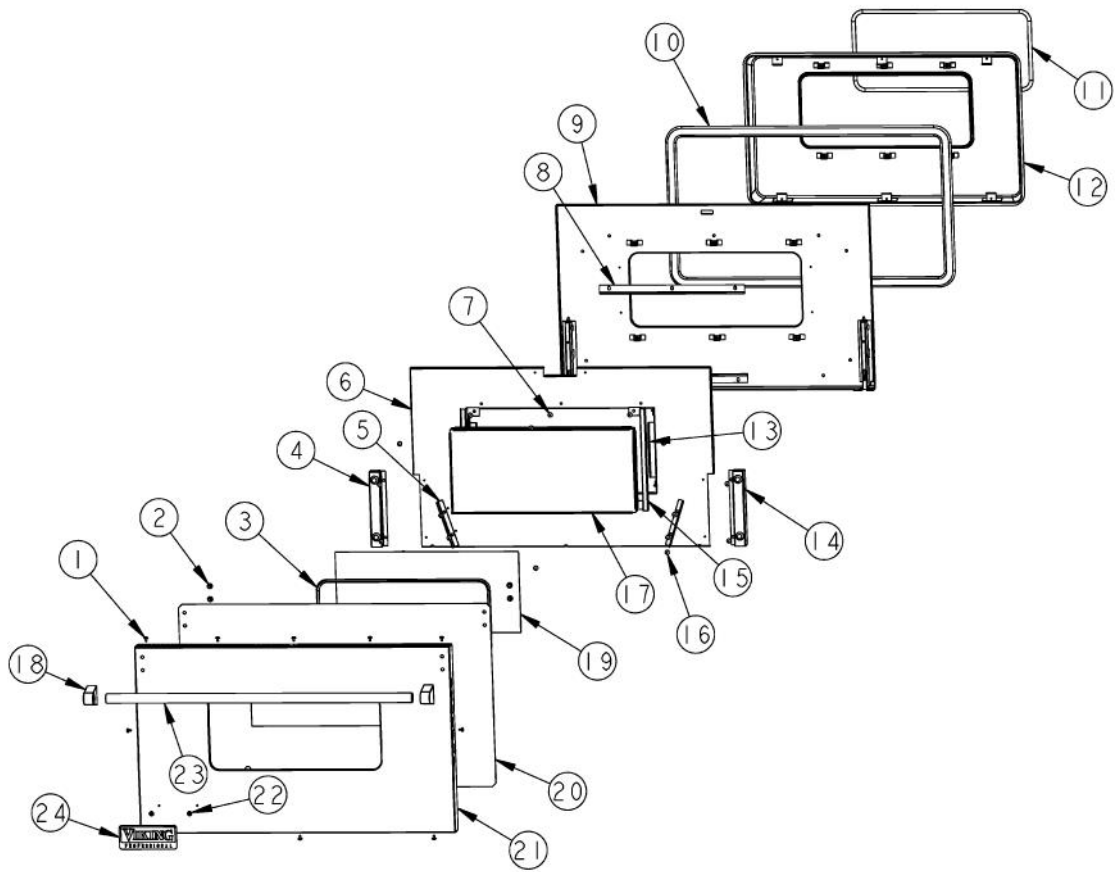
Ref #	Part Number	Qty.	Description
1	B2002598		O/S BODY PANEL LH (SS)
	C9002598AL		BODY PNL LH 30`REPL C9001922AL
	C9002598BK		BODY PNL LH 30`REPL C9001922BK
	C9002598BT		O/S BODY PANEL-LH XBTX (VDSC)
	C9002598BU		BODY PNL LH 30`REPL C9001922BU
	C9002598CB		O/S BODY PANEL-LH XCBX (VDSC)
	C9002598EP		O/S BODY PANEL-LH XEPX (VDSC)
	C9002598FG		BODY PNL LH 30`REPL C9001922FG
	C9002598GG		BODY PNL LH 30`REPL C9001922GG
	C9002598LE		O/S BODY PANEL-LH XLEX (VDSC)
	C9002598MJ		O/S BODY PANEL-LH XMJX (VDSC)
	C9002598SG		O/S BODY PANEL-LH XSGX (VDSC)
	C9002598VB		BODY PNL LH 30`REPL C9001922VB
	C9002598WH		BODY PNL LH 30`REPL C9001922WH
2	A2002156		OVEN SIDE INSUL.RETAINER-LH(VDSC)
3	G9102744		OVEN FRONT FRAME ASSY (VDSC36)
4	PD020003		NO.10 X 1/2 T(A) HEX WASHER HEAD
5	PJ010003		CONVECTION ELEMENT (VDSC) 240V
6	PE050005		CONVECTION FAN ASSY
7	A1002596		CONVECTION FAN COVER (VDSC)
8	PB070208		CONVECTION FAN INSULATION
9	A2002595		CONVECTION FAN BOX (VDSC)
10	A2008440		ALL SIDE FAN INSULATION SHIELD
11	PD020002		10 X 1/2 PH.TR.HD.SMS.
12	A2002155		OVEN SIDE INSUL.RETAINER-RH(VDSC)
13	PD030109		INSULATED CLAMP
14	B2002597		O/S BODY PANEL - RH (SS)
	C9002597AL		O/S BODY PANEL-RH XALX (VDSC)
	C9002597BK		BODY PNL RH BK REPL C9001921BK
	C9002597BT		O/S BODY PANEL-RH XBTX (VDSC)
	C9002597BU		BODY PNL RH BU REPL C9001921BU
	C9002597CB		O/S BODY PANEL-RH XCBX (VDSC)
	C9002597EP		O/S BODY PANEL-RH XEPX (VDSC)
	C9002597FG		BODY PNL RH FG REPL C9001921FG
	C9002597GG		BODY PNL RH GG REPL C9001921GG
	C9002597LE		O/S BODY PANEL-RH XLEX (VDSC)
	C9002597MJ		O/S BODY PANEL-RH XMJX (VDSC)
	C9002597SG		O/S BODY PANEL-RH XSGX (VDSC)
	C9002597VB		BODY PNL RH VB REPL C9001921VB
	C9002597WH		BODY PNL RH WH REPL C9001921WH
15	A2002475		SIDE PANEL DIVERTER (VDSC)
16	A2002183		HINGE INSULATION COVER (VDSC)
17	PC020126		HINGE ASSEMBLY
18	PD020014		10X3/4 PH TR HD SMS
19	PD010003		10-24 X 1/2 PH.TR.HD.SERD.M.S.
20	PJ010006		BAKE ELEMENT (VDSC-36) 240V
21	G9102750		CONVECTION FAN COVER ASSY (VDSC36)
22	E9107933		BROILER PAN
23	PB060030		RACK SUPT REPL PB060010
24	PB060045		OVEN RK VDSC36 REPL PB060020
25	E9107934		BROILER PAN INSERT



Ref #	Part Number	Qty.	Description
1	A2004295		LOWER BACK COVER (VDSC365)
2	PC030017		4 LEG ASSY
3	B2001504		LWR ACC PNL - RPLCS B2001977
	C9001504AL		LWR ACC PNL - RPLCS C9001977AL
	C9001504BK		LWR ACC PNL - RPLCS C9001977BK
	C9001504BT		LWR ACC PNL - RPLCS C9001977BT
	C9001504BU		LWR ACC PNL - RPLCS C9001977BU
	C9001504CB		LWR ACC PNL - RPLCS C9001977CB
	C9001504EP		LWR ACC PNL - RPLCS C9001977EP
	C9001504FG		LWR ACC PNL - RPLCS C9001977FG
	C9001504GG		LWR ACC PNL - RPLCS C9001977GG
	C9001504LE		LWR ACC PNL - RPLCS C9001977LE
	C9001504MJ		LWR ACC PNL - RPLCS C9001977MJ
	C9001504SG		LWR ACC PNL - RPLCS C9001977SG
	C9001504VB		LWR ACC PNL - RPLCS C9001977VB
	C9001504WH		LWR ACC PNL - RPLCS C9001977WH
4	PD020003		NO.10 X 1/2 T(A) HEX WASHER HEAD
5	PD020032		SRW-8(A)X3/8PH.WFR HD 7/16DIAXNICL



Ref #	Part Number	Qty.	Description
1	A2000210		WIRE CHANNEL
2	A2002180		COOLING FAN HOUSING (VDSC)
3	PD020003		NO.10 X 1/2 T(A) HEX WASHER HEAD
4	A2002790		AIR FLUE (LARGE-BACK) VDSC365)
5	PE070786		ELECTRONIC CONTROL BOARD
6	PD020185		NO.6 X 1 PAN HEAD SCREW
7	PD020044		NO.8-32 X 1/4 PH. TR. HD. M.S.
8	PE050026		COOLING FAN (VDSC)
9	A2002193		ELECTRICAL MOUNTING BRKT (VDSC)
10	PJ030002		AUTO RESET (SELF-CLEAN) VDSC
11	A1002456		THERMO-DISC BRKT (VDSC)
12	PE070147		TERMINAL BLOCK
13	A1002457		POWER CORD MOUNTING STRAP (VDSC)
14	PD020014		10X3/4 PH TR HD SMS
15	A2002195		POWER CORD MOUNTING BRKT (VDSC)
16	A2002654		ANTI-TIP DEVICE (VDSC)
17	A2002454		BACK COVER ACCESS DOOR
18	A20015483		VDSC36 OVEN BACK



Ref #	Part Number	Qty.	Description
1	PD020032		SRW-8(A)X3/8PH.WFR HD 7/16DIAXNICL
2	PD010019		BLT-1/4-20X3/8HEX WASHER SERATED
3	PE060031		J-MOLD (LARGE WINDOW)
	PE060045		J-MOLD (LARGE WINDOW) XBRX
4	A2002499		HINGE POCKET COVER LH
5	A2002497		DOOR GUIDE ANGLE VDSC
6	A2002800		DOOR INSULATION RETAINER (VDSC36)
7	PD020002		10 X 1/2 PH.TR.HD.SMS.
8	A2007943		GLASSPACK BRACKET, LARGE
9	G9102748		DOOR LINER ASSY (VDSC36)
10	PB070041		SUB TO 000623-000 - DOOR GASKET(3/8DIA.) (VDSC)
11	PB070150		FIBERGLASS ROPE, 3/8 DIA.
12	G9102746		DOOR PLUG ASSY (VDSC36)
13	A2002189		DOOR GLASS STANDOFF (VDSC)
14	A2002498		HINGE POCKET COVER RH
15	A2002367		DOOR GLASS BRKT
16	PD020014		10X3/4 PH TR HD SMS
17	PE060064		WINDOW PACK, SELF CLEANING OVEN 30
18	PE030001		BRACKET, DOOR, HANDLE
	PE030001PVD		END CAP DOOR HANDLE XBR
19	PE060030		GLASS-OUTER DOOR BK SCREENED,TEMP
20	J1002799		OVEN DR HEAT SINK (VDSC36)
21	B2002798		O/S DOOR PANEL XSSX (VDSC36)
	C9002798AL		O/S DOOR PANEL-XALX (VDSC36)
	C9002798BK		O/S DOOR PANEL-XBKX (VDSC36)
	C9002798BT		O/S DOOR PANEL-XBTX (VDSC36)
	C9002798BU		O/S DOOR PANEL-XBUX (VDSC36)
	C9002798CB		O/S DOOR PANEL-CBX (VDSC36)
	C9002798EP		O/S DOOR PANEL-XEPX (VDSC36)
	C9002798FG		O/S DOOR PANEL-XFGX (VDSC36)
	C9002798GG		O/S DOOR PANEL-XGGX (VDSC36)
	C9002798LE		O/S DOOR PANEL-XLEX (VDSC36)
	C9002798MJ		O/S DOOR PANEL_XMJX (VDSC36)
	C9002798SG		O/S DOOR PANEL-XSGX (VDSC36)
	C9002798VB		O/S DOOR PANEL-XVBX (VDSC36)
	C9002798WH		O/S DOOR PANEL-XWHX (VDSC36)
22	PD030006		CAPPED WASHER PAL NUT
23	PE030006		DOOR HANDLE - 36 (VGRC)
	PE030013PVD		DOOR HANDLE (36) PVD
24	PE010030		LOGO, 6, PRO, BK
	PE010068		LOGO, 6, PRO, BK/BR
	PE010031		LOGO 6 (VGRC) XBK/WHX
	PE010076		LOGO 6 (VGRC) XBR/WHX
NI	G3202805AL		DOOR SUB-ASSY-XALX (VDSC36)
	G3202805ALBR		DOOR SUB-ASSY-XALXXBRX (VDSC36)
	G3202805BK		DOOR SUB-ASSY-XBKX (VDSC36)
	G3202805BKBR		DOOR SUB-ASSY-XBKXXBRX (VDSC36)
	G3202805BT		DOOR SUB-ASSY-XBTX (VDSC36)
	G3202805BTBR		DOOR SUB-ASSY-XBTXXBRX (VDSC36)
	G3202805BU		DOOR SUB-ASSY-XBUX (VDSC36)
	G3202805BUBR		DOOR SUB-ASSY-XBUXXBRX (VDSC36)
	G3202805CB		DOOR SUB-ASSY-XCBX (VDSC36)
	G3202805CBBR		DOOR SUB-ASSY-XCBXXBR (VDSC36)
	G3202805EP		DOOR SUB-ASSY- XEPX (VDSC36)
	G3202805EPBR		DOOR SUB-ASSY- XEPXXBRX (VDSC36)
	G3202805FG		DOOR SUB-ASSY- XFGX (VDSC36)
	G3202805FGBR		DOOR SUB-ASSY- XFGXXBRX (VDSC36)
	G3202805GG		DOOR SUB-ASSY-XGGX (VDSC36)
	G3202805GGBR		DOOR SUB-ASSY-XGGXBRX (VDSC36)
	G3202805LE		DOOR SUB-ASSY- XLEX (VDSC36)

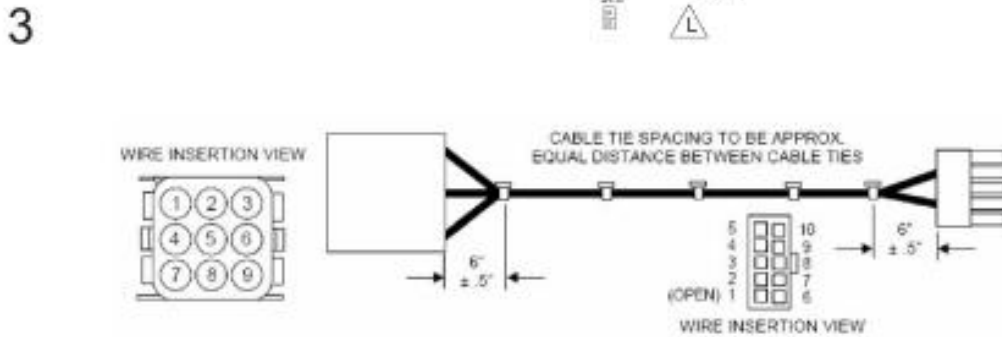
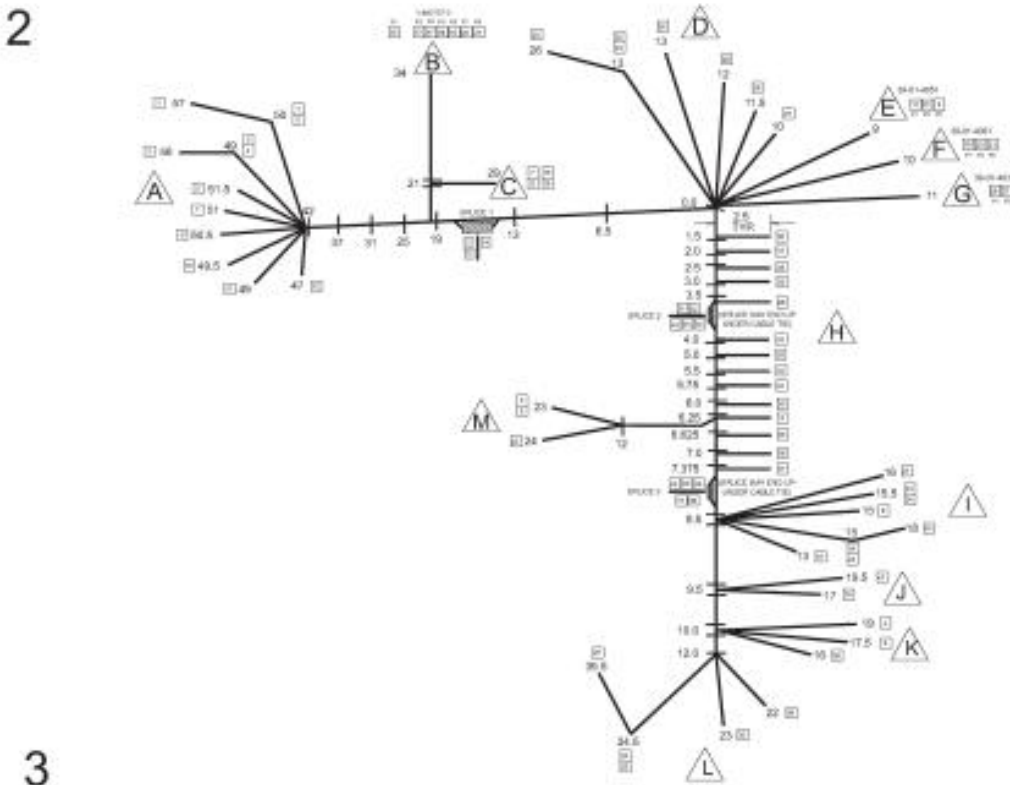
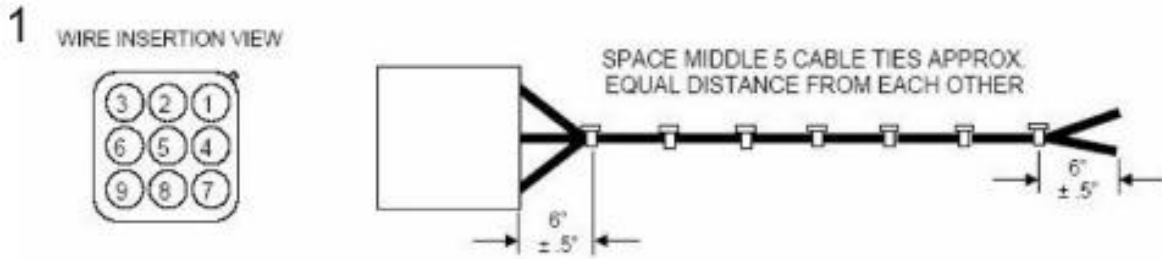
Ref #	Part Number	Qty.	Description
	G3202805LE		DOOR SUB-ASSY- XLEX (VDSC36)
	G3202805LEBR		DOOR SUB-ASSY- XLEXXBRX (VDSC36)
	G3202805MJ		DOOR SUB-ASSY- XMJX (VDSC36)
	G3202805MJBR		DOOR SUB-ASSY- XMJXXBRX (VDSC36)
	G3202805SG		DOOR SUB-ASSY- XSGX (VDSC36)
	G3202805SGBR		DOOR SUB-ASSY- XSGXXBRX (VDSC36)
	G3209181SS		DOOR ASSY 30 XSSX
	G3209181SSBR		DOOR ASSY 30 XSSBRX
	G3202805VB		DOOR SUB-ASSY-XVBX (VDSC36)
	G3202805VBRR		DOOR SUB-ASSY- XVBXXBRX (VDSC36)
	G3202805WH		DOOR SUB-ASSY-XWHX (VDSC36)

1

NOTE: EACH "KIT" WILL CONTAIN SEVERAL SETS OF IGNITOR WIRES (AS SHOWN BELOW). THESE SHOULD BE BUNDLED TOGETHER WITH TAPE & LABELED WITH THE KIT PURC. # , AND THE MODEL USAGE #.

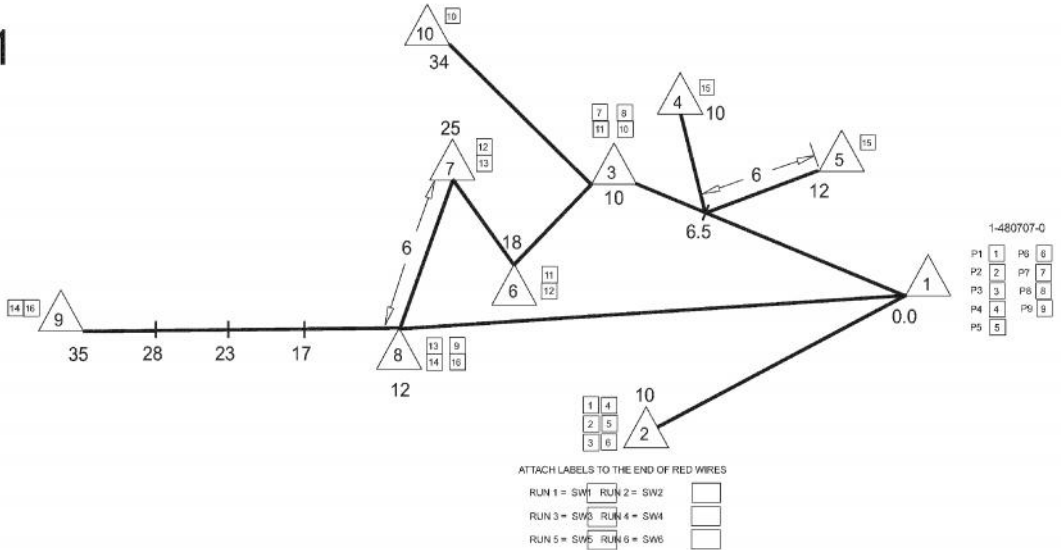


Ref #	Part Number	Qty.	Description
1	PE070717		IGNITOR WIRE KIT - VDSC3676B

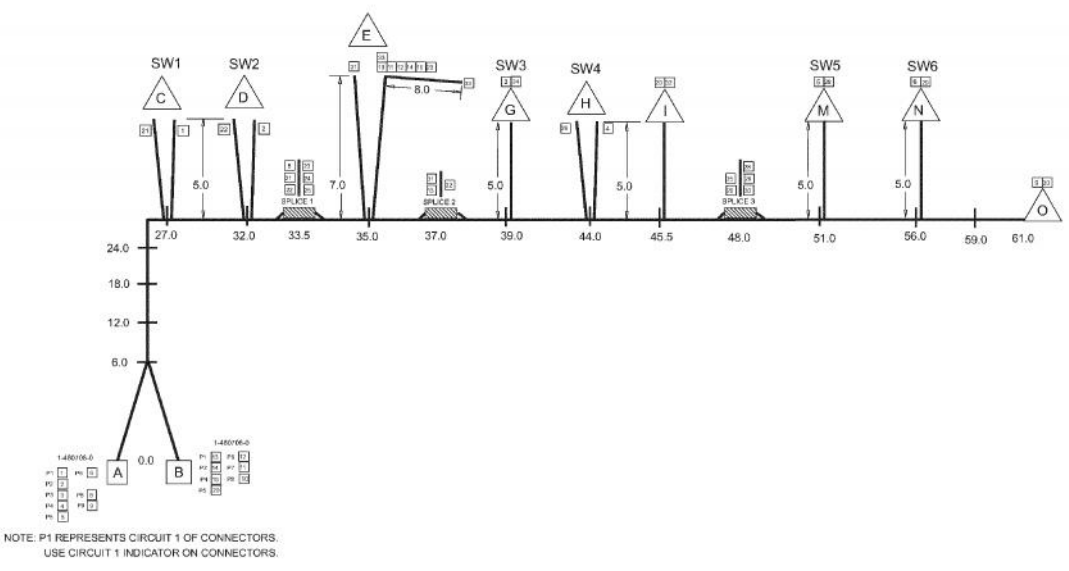


Ref #	Part Number	Qty.	Description
1	PE070779		RH 8 POS SELECTOR HARNESS
2	PE070781		RH MAIN OVEN HARNESS
3	PE070780		RH REAR SELECTOR HARNESS

1



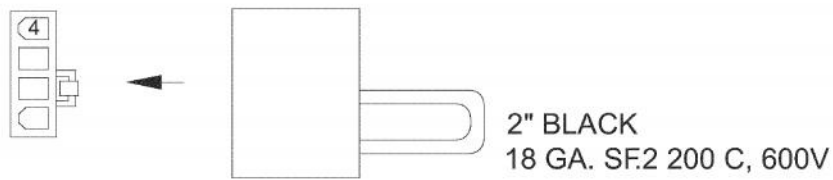
2



Ref #	Part Number	Qty.	Description
1	PE070783		6 POSITION SPARK MOD HARNESS
2	PE070808		IGNITOR SWITCH HARNESS (VDSC367C-6B)

1

- 1 -
- 2 -
- 3 - BLACK
- 4 - BLACK



Ref #	Part Number	Qty.	Description
1	PE070624		SINGLE PREHEAT JUMPER