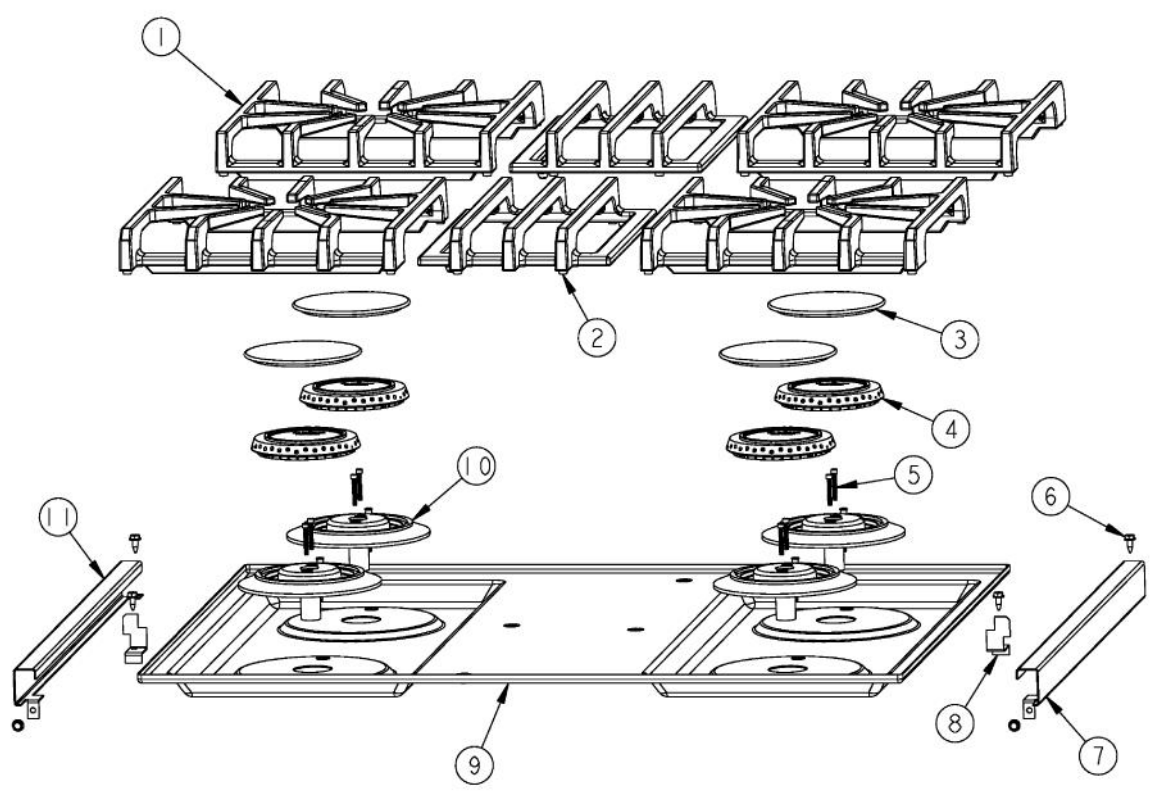
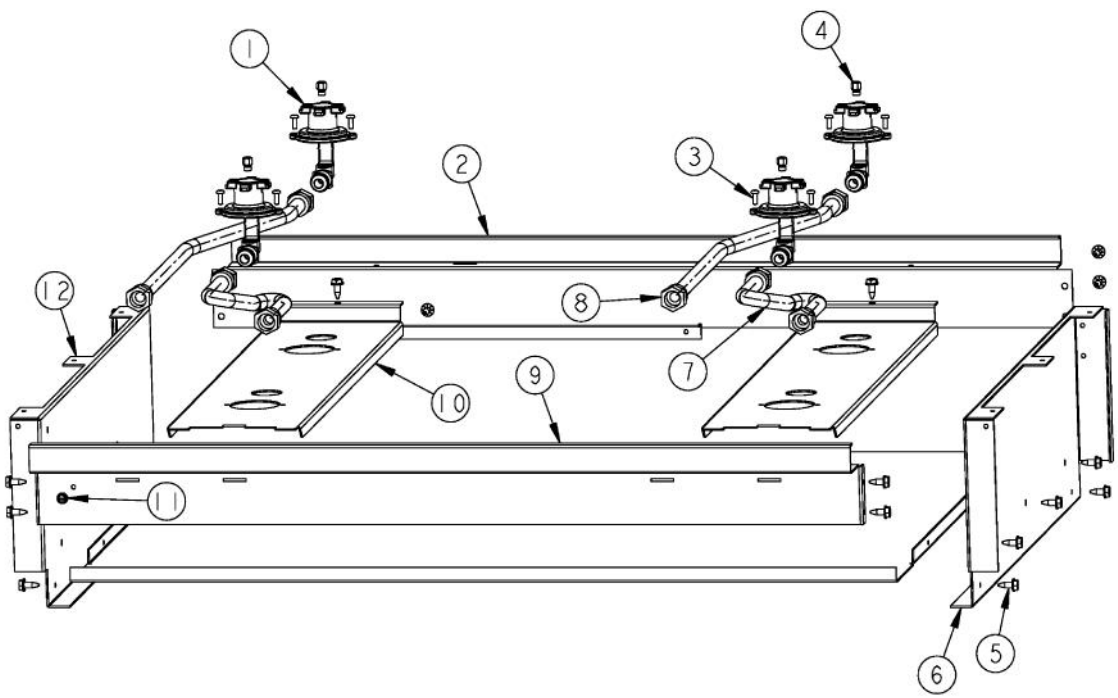


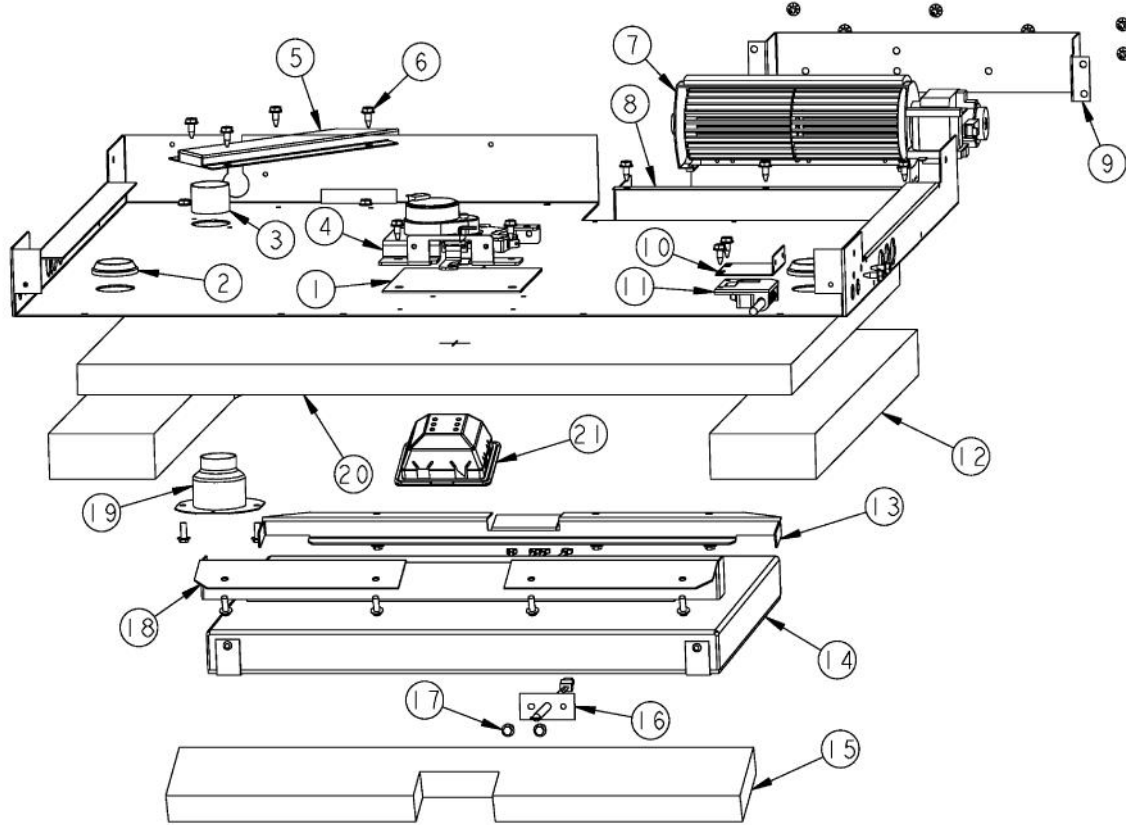
Ref #	Part Number	Qty.	Description
1	003860-000		NO.10-18 X .500 FASTNR,SCR,HXWH,STL,ZPLT
2	PA070001		PRESSURE REGULATOR (NAT.)
3	PJ030033		SELECTOR (10 POS)
4	PJ030035		THERMOSTAT
5	PA020058		IRIS SINGLE SPARK MODULE
6	PE070889		IRIS HARNESS - 30
7	004507-000		SUB TO 006313-000 - VALVE,BRS,ASM,TOP,BURNER, FLRE,...
8	PD010012		VALVE BOLT 1/4-20 UNC-2B 5/16 M.S.
9	002926-000		GAS MANIFOLD, REDESIGN
10	PE050072	1	LENS OPENING (250 VOLT) (BEFORE 7/28/10)
10	021336-000	2	INDICATOR, LT, RED, CHROME BEZEL, LED (7/28/10 TO 7/12/11)
10	015043-000	2	INDICATOR, LIGHT, BLUE LED (ON OR AFTER 7/13/11)
11	PD020032		SRW-8(A)X3/8PH.WFR HD 7/16DIAXNICL
12	PD040004		GROMMET BUMPER
13	002945-000		FALSE DRIP TRAY HANDLE ASSY, 30 - SS
13	002945-100		FALSE DRIP TRAY HANDLE ASSY, 30 - BRASS
14	PB010304		KNOB BEZEL
14	PB010304PVD		RESTYLE KNOB BEZEL, BR
15	PB010284		SURFACE BURNER KNOB
15	PB010285		SURFACE BURNER KNOB - WH
16	PE050023	1	OVEN IND. LIGHT (LENS & BEZEL) BEFORE 7/28/10 (072810C00009177)
NI	021336-000	2	INDICATOR, LT, RED, CHROME BEZEL, LED ON OR AFTER 7/28/10 (072810C00009177)
17	PB010294		THERMOSTAT KNOB, VDSC REDESIGN - BK
17	PB010295		THERMOSTAT KNOB - WH
18	PD020076		6-32 X 3/8 PHILL PAN MS
19	PB010296		SELECTOR KNOB, VDSC REDESIGN - BK
19	PB010297		SELECTOR KNOB - WH
20	PD020046		NO.8 X 1/2 SCREWS
21	003719-000		OVEN LIGHT SWITCH, BLACK
21	003724-000		SWITCH, LIGHT, WHITE, VDSC
22	025711-2055	1	CONTROL PANEL ASM, VDSC530-4B W/GRAPHICS



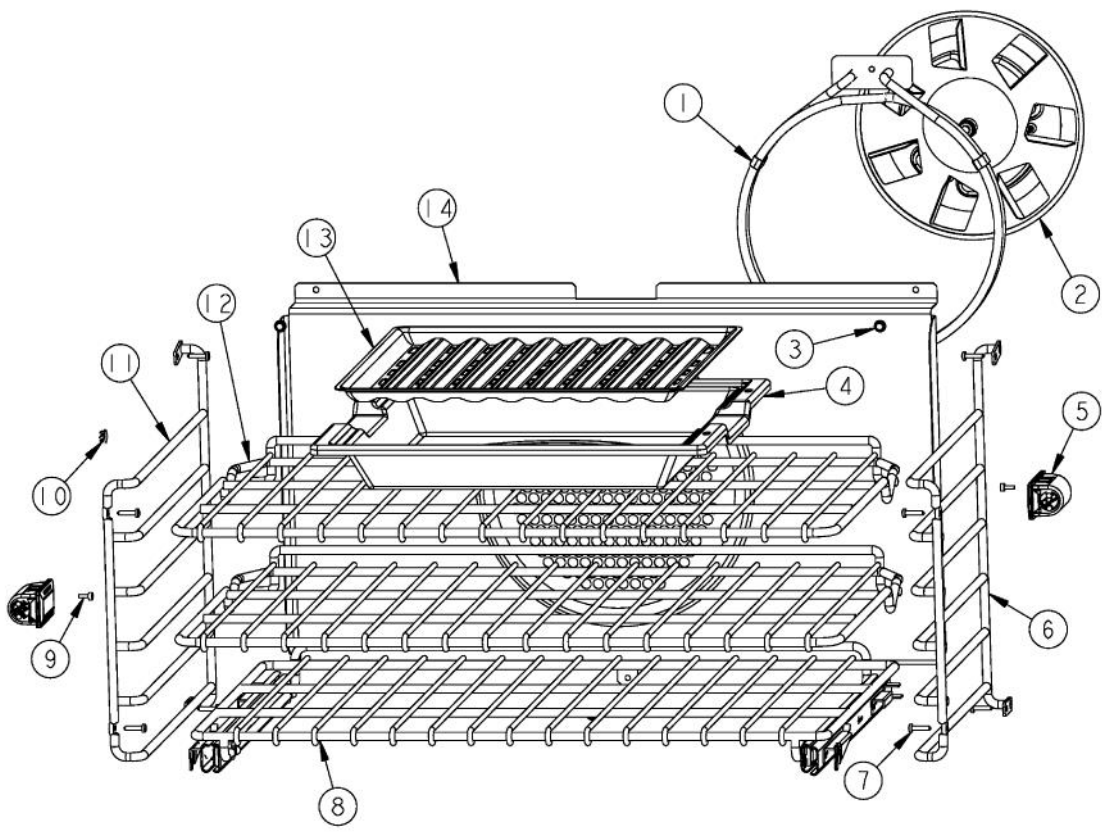
Ref #	Part Number	Qty.	Description
1	002817-000		SPIDER GRATE, VDSC REDESIGN
2	002907-000		CENTER GRATE, REDESIGN
3	PA080083		D BURNER CAP XMATTE BLACKX
4	004056-000		D-BURNER HEAD
5	003606-000		NO.6-32 SOCKET HEAD SCREW
6	003860-000		NO.10-18 X .500 FASTNR,SCR,HXWH,STL,ZPLT
7	002920-000		SIDE TRIM, RH - STAINLESS
7	002920-100		SIDE TRIM, RH - BRASS PVD
8	004021-000		SUPPORT,TRIM,SIDE
9	E9107413BK		MAIN TOP 30 XBKX
9	E9107413WH		MAIN TOP 30 XWHX
10	003322-041		SEALED BURNER BASE, PAINTED FINISH (INCLUDES IGNITER)
11	003649-000		SIDE TRIM, LH - STAINLESS
11	003649-100		SIDE TRIM, LH - BRASS PVD



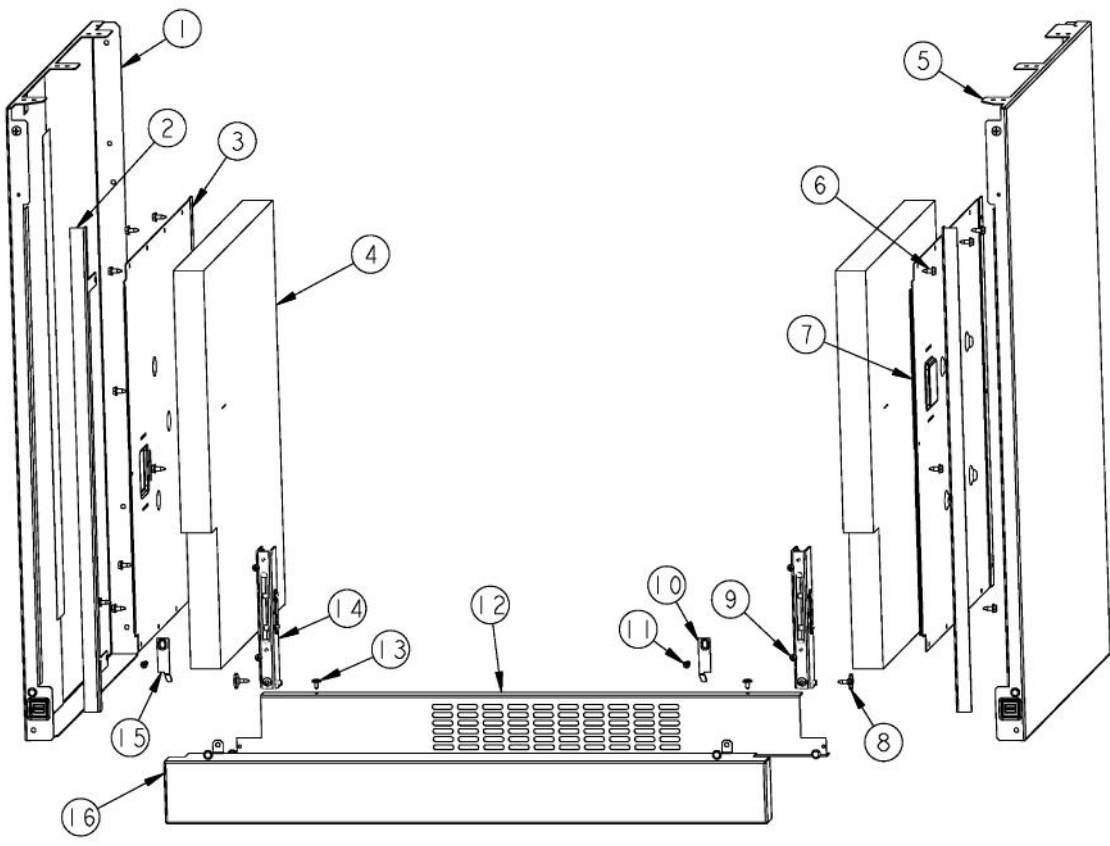
Ref #	Part Number	Qty.	Description
1	001394-041		18500 BTU NAT JETHOLDER
1	001394-043		13500 BTU LP JETHOLDER
2	002924-000		REAR SUPPORT, BURNER BOX
3	PD020076		6-32 X 3/8 PHILL PAN MS
4	001396-040		15K NG ORIFICE
4	001396-044		13.5K LP ORIFICE
5	003860-000		NO.10-18 X .500 FASTNR,SCR,HXWH,STL,ZPLT
6	002755-000		BURNER BOX SIDE, RH
7	PB020192		10 FLEX TUBING W/CONNECTORS
8	PB020193		16 FLEX TUBING W/CONNECTORS
9	002925-000		FRONT SUPPORT, BURNER BOX
10	002923-000		BURNER MODULE SUPPORT
11	PD020010		10 X 3/8 GREEN GROUNDING SCREW
12	003481-000		BURNER BOX SIDE, LH



Ref #	Part Number	Qty.	Description
1	PB070321		LOWER LATCH INSULATION
2	PB070079		SILICONE EXTRUSION (DGSU)
3	PB020275		VENT TUBE
4	PE050210		DOOR LATCH
5	003333-000		DUCT, FLUE
6	003860-000		NO.10-18 X .500 FASTNR,SCR,HXWH,STL,ZPLT
7	PE050250		PREMIUM BLOWER WITH HES (BEFORE 8/10/2013)
7	018607-000		FAN,BLO, 220-240V 50/60HZ ASSY (ON OR AFTER 8/10/2013)
8	A2009659		BRACKET, FILLER, BLOWER
9	004110-000		MOUNT,BLOWER
10	A20012649		DOOR SWITCH BRACKET
11	PE050208		DOOR SWITCH
12	PB070305		30 TOP BROIL INSULATION
13	B20014051		PREMIERE BROIL ELEMENT BRACKET REAR
14	PJ010050		SEALED BROIL ELEMENT W/GLASS
15	PB070337		LINER FRONT INSULATION
16	PE050206		RTD THERMOSTAT PROBE
17	PD020048		NO.10 X 1/2 TEK 410 SS SCREW
18	B20014050		PREMIERE BROIL ELEMENT BRACKET FRONT
19	PM010014		SMOKE ELIMINATOR (VDSC)
20	PB070308		30 TOP INSULATION
21	PE050239		HALOGEN LAMP

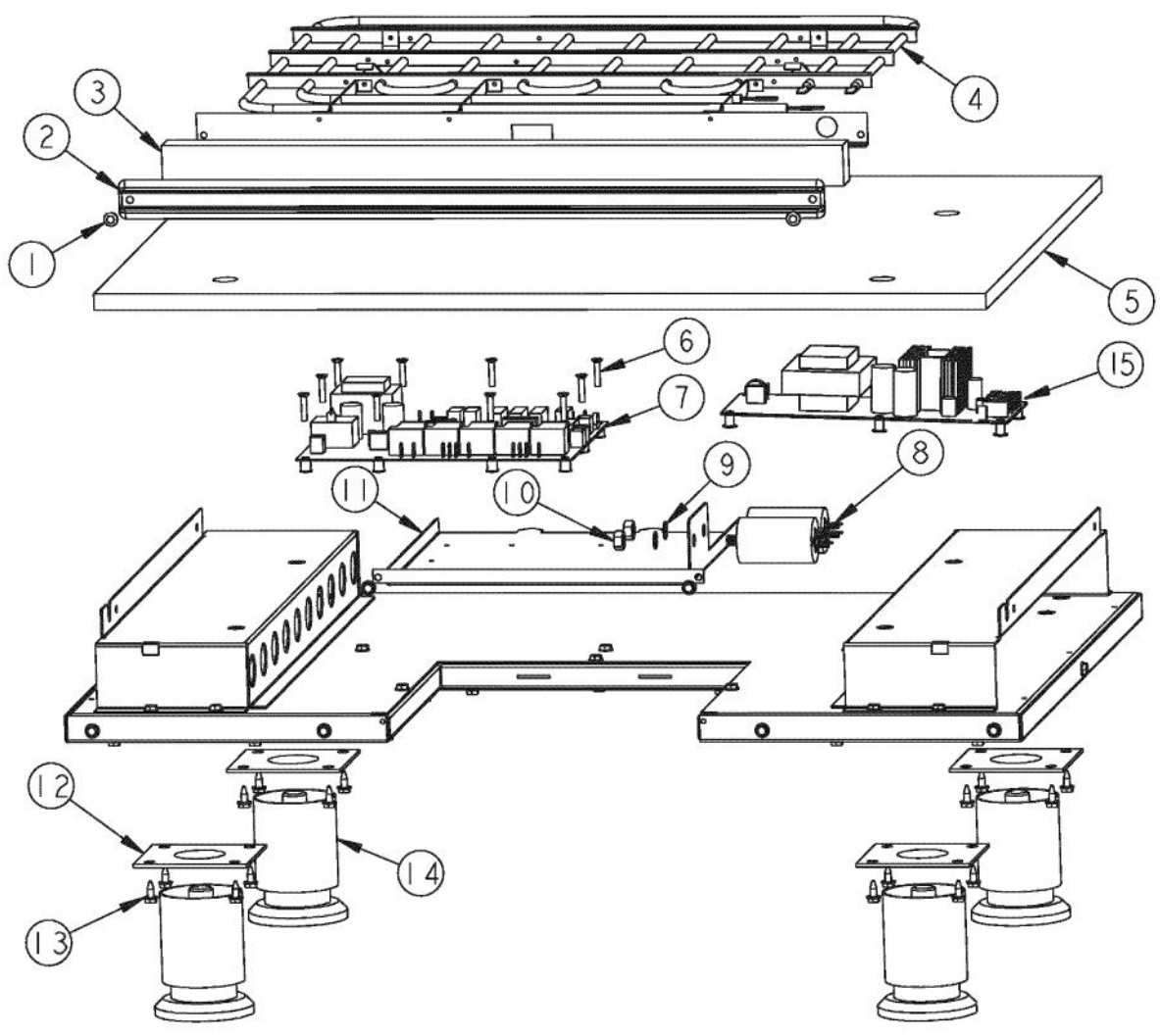


Ref #	Part Number	Qty.	Description
1	PJ010047		CONVECTION ELEMENT
2	G32014020		CONVECTION FAN ASSY
3	003860-000		NO.10-18 X .500 FASTNR,SCR,HXWH,STL,ZPLT
4	E9107933		BROILER PAN
5	PE050238		120 VOLT SIDE HALOGEN LIGHT
6	PB060103		RACK SUPPORT RH
	036216-402		RACK,PRO,ASM,RH, BLACK
7	PD020232		NO.8 X 3/4 PH PAN HEAD TEK SCREW (BLACK OXIDE)
8	024102-000	2	PULL OUT RACK, 30 TRUE GLIDE
9	PD020067		NO.6 X 3/8 PAN PHIL. TEK SS
10	E91014053		PORCELAIN 25/64 HOLE PLUG (BEFORE 1/1/2013)
10	032859-000		PLUG, HOLE BK PORCELAIN (ON OR AFTER 1/1/2013)
11	PB060104		RACK SUPPORT LH
	036220-402		RACK,PRO,ASM,LH, BLACK
12	PB060107	1	30 OVEN RACK
13	E9107934		BROILER PAN INSERT
14	G91013598		30 BAFFLE ASSEMBLY (BEFORE 1/1/2013)
14	032857-000		BAFFLE,CONV,ASM,D3,BLACK? (ON OR AFTER 1/1/2013)

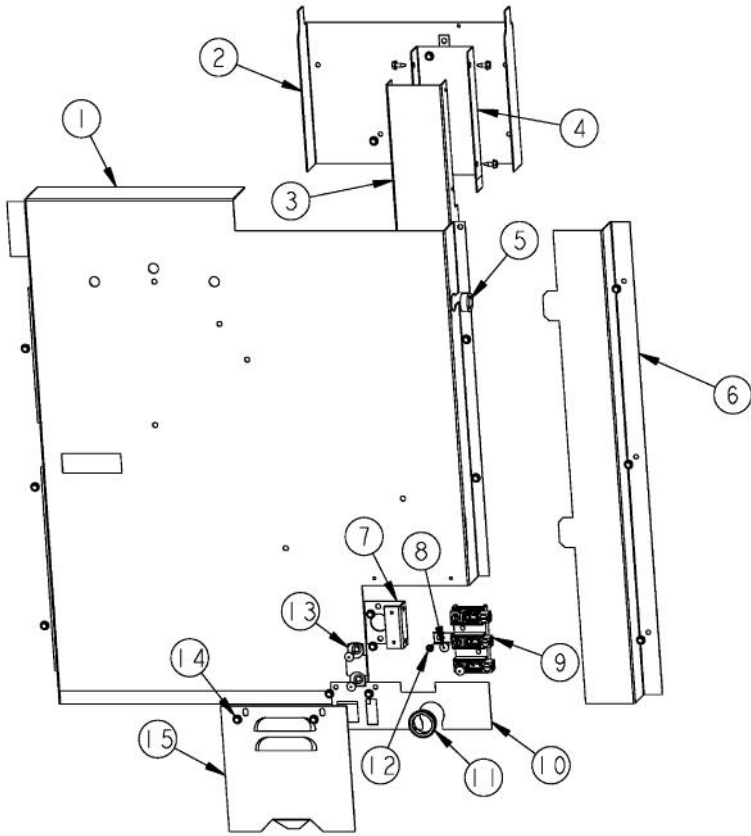


Ref #	Part Number	Qty.	Description
1	003803-000		SIDE PANEL ASSY, LH
1	005506-024		SIDE PANEL, LH ASSY, PAINTED XARX
1	005506-002		SIDE PANEL, LH ASSY, PAINTED XBKX
1	005506-008		SIDE PANEL, LH ASSY, PAINTED XBUX
1	005506-013		SIDE PANEL, LH ASSY, PAINTED XCBX
1	005506-018		SIDE PANEL, LH ASSY, PAINTED XCWX
1	005506-005		SIDE PANEL, LH ASSY, PAINTED XGGX
1	005506-020		SIDE PANEL, LH ASSY, PAINTED XGMX
1	005506-023		SIDE PANEL, LH ASSY, PAINTED XIBX
1	005506-009		SIDE PANEL, LH ASSY, PAINTED XLEX
1	005506-010		SIDE PANEL, LH ASSY, PAINTED XMJX
1	005506-027		SIDE PANEL, LH ASSY, PAINTED XMSX
1	005506-019		SIDE PANEL, LH ASSY, PAINTED XOGX
1	005506-015		SIDE PANEL, LH ASSY, PAINTED XPLX
1	005506-026		SIDE PANEL, LH ASSY, PAINTED XPMX
1	005506-025		SIDE PANEL, LH ASSY, PAINTED XRRX
1	005506-021		SIDE PANEL, LH ASSY, PAINTED XSAX
1	005506-022		SIDE PANEL, LH ASSY, PAINTED XSEX
1	005506-004		SIDE PANEL, LH ASSY, PAINTED XSGX
1	005506-017		SIDE PANEL, LH ASSY, PAINTED XTPX
1	005506-012		SIDE PANEL, LH ASSY, PAINTED XVBX
1	005506-006		SIDE PANEL, LH ASSY, PAINTED XWHX
2	003644-000		TRIM,FRONT,SIDE,STAINLESS
3	A20012650		BRKT, TOP WRAPPER LEFT
4	PB070302		SIDE INSULATION
5	003802-000		SIDE PANEL ASSY, RH, SST
5	005503-024		SIDE PANEL, RH ASSY, PAINTED XARX
5	005503-002		SIDE PANEL, RH ASSY, PAINTED XBKX
5	005503-008		SIDE PANEL, RH ASSY, PAINTED XBUX
5	005503-013		SIDE PANEL, RH ASSY, PAINTED XCBX
5	005503-018		SIDE PANEL, RH ASSY, PAINTED XCWX
5	005503-005		SIDE PANEL, RH ASSY, PAINTED XGGX
5	005503-020		SIDE PANEL, RH ASSY, PAINTED XGMX
5	005503-023		SIDE PANEL, RH ASSY, PAINTED XIBX
5	005503-009		SIDE PANEL, RH ASSY, PAINTED XLEX
5	005503-010		SIDE PANEL, RH ASSY, PAINTED XMJX
5	005503-027		SIDE PANEL, RH ASSY, PAINTED XMSX
5	005503-019		SIDE PANEL, RH ASSY, PAINTED XOGX
5	005503-015		SIDE PANEL, RH ASSY, PAINTED XPLX
5	005503-026		SIDE PANEL, RH ASSY, PAINTED XPMX
5	005503-025		SIDE PANEL, RH ASSY, PAINTED XRRX
5	005503-021		SIDE PANEL, RH ASSY, PAINTED XSAX
5	005503-022		SIDE PANEL, RH ASSY, PAINTED XSEX
5	005503-004		SIDE PANEL, RH ASSY, PAINTED XSGX
5	005503-017		SIDE PANEL, RH ASSY, PAINTED XTPX
5	005503-012		SIDE PANEL, RH ASSY, PAINTED XVBX
5	005503-006		SIDE PANEL, RH ASSY, PAINTED XWHX
6	003860-000		NO.10-18 X .500 FASTNR,SCR,HXWH,STL,ZPLT
7	A2009622		BRKT, TOP WRAPPER, RIGHT
8	PD020151		SHOULDER SCREW
9	PD020062		NO.8-32 X 3/8 PHMS TYPE 1
10	B21010915		HINGE CLIP ? RH
11	PD020061		NO.8 X 3/4 FLAT HD TEK. SS.
12	003330-000		ACCESS GRILL PANEL, LOWER
12	038461-013		PANEL, ACS, LWR, KICKPLATE, DCBZ BK
13	PD020032		SRW-8(A)X3/8PH.WFR HD 7/16DIAXNICL
14	031679-000		RECEPTACLE, HINGE
15	B21010916		HINGE CLIP ? LH
16	002910-000		KICKPLATE - STAINLESS
16	005508-024		KICKPLATE, AR

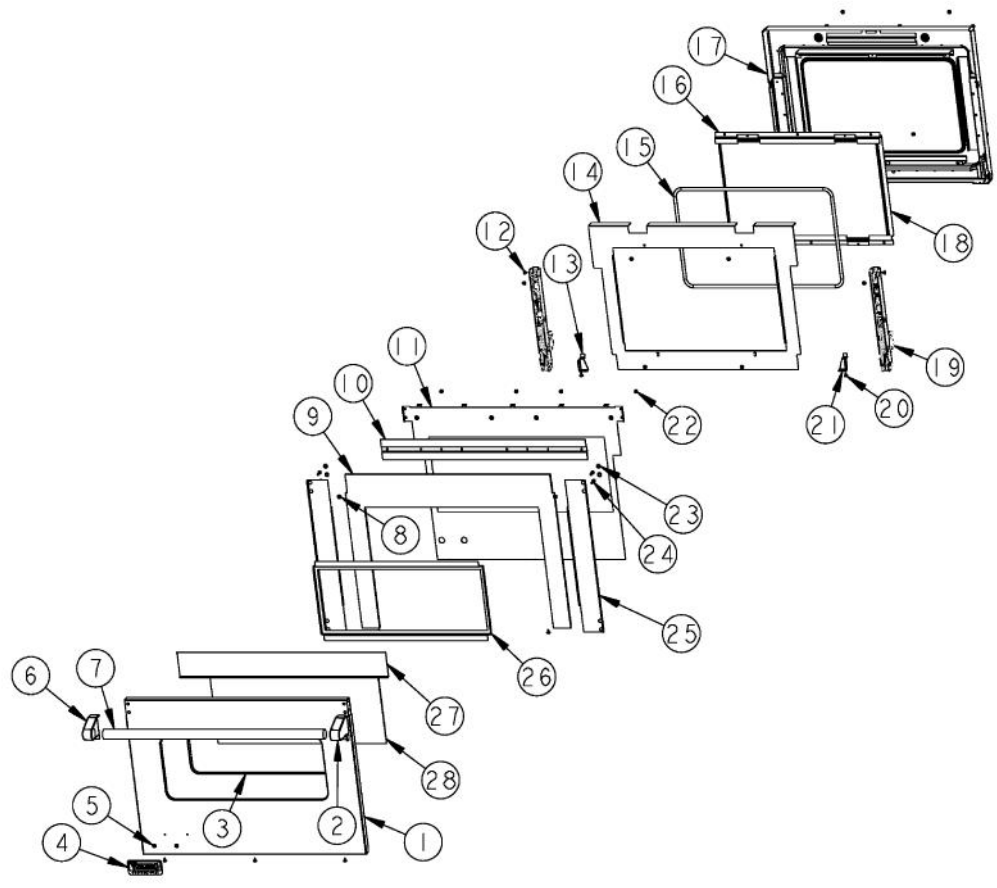
Ref #	Part Number	Qty.	Description
16	005508-024		KICKPLATE, AR
16	005508-002		KICKPLATE, BK
16	005508-008		KICKPLATE, BU
16	005508-013		KICKPLATE, CB
16	005508-018		KICKPLATE, CW
16	005508-005		KICKPLATE, GG
16	005508-020		KICKPLATE, GM
16	005508-023		KICKPLATE, IB
16	005508-009		KICKPLATE, LE
16	005508-010		KICKPLATE, MJ
16	005508-027		KICKPLATE, MS
16	005508-019		KICKPLATE, OG
16	005508-015		KICKPLATE, PL
16	005508-026		KICKPLATE, PM
16	005508-025		KICKPLATE, RR
16	005508-021		KICKPLATE, SA
16	005508-022		KICKPLATE, SE
16	005508-004		KICKPLATE, SG
16	005508-017		KICKPLATE, TP
16	005508-012		KICKPLATE, VB
16	005508-006		KICKPLATE, WH



Ref #	Part Number	Qty.	Description
1	PD020063		SCREW-NO.8(A) X 3/8PH WFR HD/BK OXID
2	E9109655	1	BAKE TRAY COVER
	032861-000		COVER, BAKE TRAY, BK PORC
3	PB070309	1	BAKE ELEMENT INSULATION
4	PJ010048	1	BAKE ELEMENT
5	PB070303	1	30 BOTTOM INSULATION
6	PD020043	13	NO.6-32 X .750 PH. CTRSK T(F)-VGSO166
7	000621-000	1	SUB TO 002406-000 - CONTROL BOARD BEFORE 7/28/10 (072810C00009177)
7	014000-000	1	EOC4-CONTROL BOARD ON OR AFTER 7/28/10 (072810C00009177)
7	038419-000	1	CONTROL,BD,EOC4, CB AFTER 2/4/13
NI	021340-000	1	LINEAR POWER SUPPLY, SINGLE ON OR AFTER 7/28/10 (072810C00009177)
NI	024909-000	1	SHIELD, WRG
8	PE050247	2	EBM FAN MOTOR CAPACITOR
9	PD040164		5/16 INTERNAL TOOTH LOCK WASHER TYPE A
10	PD030172		M8 X 1.25MM NUT
11	003050-000	1	CONTROL BOARD MOUNTING PLATE BEFORE 7/28/10 (072810C00009177)
11	015096-000	1	PLATE, MTG, EOC4 CONTROL BOARD ON OR AFTER 7/28/10 (072810C00009177)
12	PC030007		LEG PLATE - 3/4 THREADED HOLE
13	003860-000		NO.10-18 X .500 FASTNR,SCR,HXWH,STL,ZPLT
14	PC030031		ADJUSTABLE LEG
15	021340-000	1	LINEAR POWER SUPPLY, SINGLE ON OR AFTER 7/28/10 (072810C00009177)

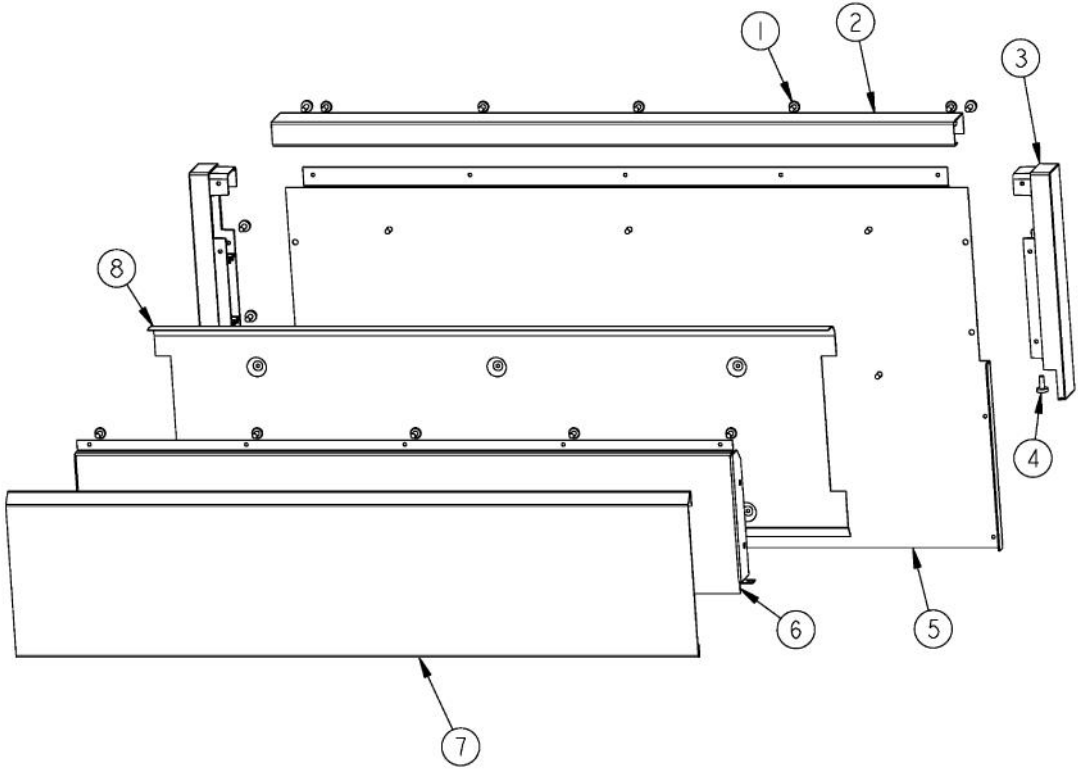


Ref #	Part Number	Qty.	Description
1	003272-000		COVER, REAR
2	003681-000		DUCT, AIR
3	A20010101		FLUE, OUTSIDE SHELL
4	A20010102		FLUE, CENTER EXTENDED
5	PD040005		SNAP BUSHING - 7/8
6	003245-000		CHANNEL, WIRE, REAR
7	A2002195		POWER CORD MOUNTING BRKT (VDSC)
8	PD020014		10X3/4 PH TR HD SMS
9	PE070147		TERMINAL BLOCK
10	003702-000		TEST CONNECTOR MOUNTING PLATE
11	PD040152		SNAP BUSHING
12	PD020010		10 X 3/8 GREEN GROUNDING SCREW
13	A1002457		POWER CORD MOUNTING STRAP (VDSC)
14	003860-000		NO.10-18 X .500 FASTNR,SCR,HXWH,STL,ZPLT
15	A2002454		BACK COVER ACCESS DOOR



Ref #	Part Number	Qty.	Description
1	023251-000	1	SVC DOOR SKIN KIT, VDSC530, 530T, SS
1	023252-002	1	SRV DOOR SKIN KIT, VDSC530, 530T, BK
1	023252-003	1	SRV DOOR SKIN KIT, VDSC530, 530T, BT
1	023252-004	1	SRV DOOR SKIN KIT, VDSC530, 530T, SG
1	023252-005	1	SRV DOOR SKIN KIT, VDSC530, 530T, GG
1	023252-006	1	SRV DOOR SKIN KIT, VDSC530, 530T, WH
1	023252-008	1	SRV DOOR SKIN KIT, VDSC530, 530T, BU
1	023252-009	1	SRV DOOR SKIN KIT, VDSC530, 530T, LE
1	023252-010	1	SRV DOOR SKIN KIT, VDSC530, 530T, MJ
1	023252-012	1	SRV DOOR SKIN KIT, VDSC530, 530T, VB
1	023252-013	1	SRV DOOR SKIN KIT, VDSC530, 530T, CB
1	023252-015	1	SRV DOOR SKIN KIT, VDSC530, 530T, PL
1	023252-016	1	SRV DOOR SKIN KIT, VDSC530, 530T, CH
1	023252-017	1	SRV DOOR SKIN KIT, VDSC530, 530T, TP
1	023252-018	1	SRV DOOR SKIN KIT, VDSC530, 530T, CW
1	023252-019	1	SRV DOOR SKIN KIT, VDSC530, 530T, OG
1	023252-020	1	SRV DOOR SKIN KIT, VDSC530, 530T, GM
1	023252-021	1	SRV DOOR SKIN KIT, VDSC530, 530T, SA
1	023252-022	1	SRV DOOR SKIN KIT, VDSC530, 530T, SE
1	023252-023	1	SRV DOOR SKIN KIT, VDSC530, 530T, IB
1	023252-024	1	SRV DOOR SKIN KIT, VDSC530, 530T, AR
1	023252-025	1	SRV DOOR SKIN KIT, VDSC530, 530T, RR
1	023252-026	1	SRV DOOR SKIN KIT, VDSC530, 530T, PM
1	023252-027	1	SRV DOOR SKIN KIT, VDSC530, 530T, MS
2	003012-000		DOOR HANDLE ENDCAP ASSY, RH (CHROME)
2	003012-100		DOOR HANDLE ENDCAP ASSY, RH (BRASS)
3	PE060105		30 J-MOLD (CHROME) NOT FIELD REPLACEABLE (NOT FIELD REPLACEABLE - MUST ORDER ITEM NO. 1)
3	PE060105BR		30 J-MOLD (BRASS) NOT FIELD REPLACEABLE
4	PE010016		NAMEPLATE, LOGO, PRO
4	PE010079		4.5 LOGO/VIKING PROF, BK/BR
4	PE010017		LOGO (VGSO,VEDO,VGDO,VUD) XWH/CHR
4	PE010080		4.5 LOGO/VIKING PROF XWH/BR
5	PD030006		CAPPED WASHER PAL NUT
6	003011-000		DOOR HANDLE ENDCAP ASSY, LH (CHROME)
6	003011-100		DOOR HANDLE ENDCAP ASSY, LH (BRASS)
7	002728-000		DOOR HANDLE - SS, 1.25 OD
7	002728-100		DOOR HANDLE - BRASS PVD, 1.25 OD
8	PD020073		SRW NO.10 X 24 X 3/8 WAFER HD TYPE23
9	006787-000	2	INSULATION,DOOR,SIDE,SUPERWOOL,.25,VDSC530
9	006788-000	1	INSULATION,DOOR,TOP,SUPERWOOL,.25,VDSC530
10	002732-000		DOOR SKIN MOUNTING BRACKET ASSY
11	004176-000		DOOR SKIN INSULATION RETAINER ASSY
12	PD020063		SCREW-NO.8(A) X 3/8PH WFR HD/BK OXID
13	A20012641		HINGE SUPPORT LH
14	004152-000		DOOR LINER INSULATION RETAINER, 30
15	000594-000		BLACK FIBERGLASS ROPE 3/8
16	004153-000		DOOR GLASS HOLDER BRACKET
17	015412-000		DOOR LINER SPOTWELD ASM
18	PE060094		30 WINDOW PACK
19	002740-000		MANSFIELD HINGE, BLUE SPRING
20	PD020032		SRW-8(A)X3/8PH.WFR HD 7/16DIAXNICL
21	A20012640		HINGE SUPPORT RH
22	PD030010		NO.10-24 KEPS NUT
23	004907-000		STEEL FINISHING PLUG, NICKEL PLTD 25/64 HOLE
24	002736-000		NO.10-32 PAN HEAD PHILLIPS MACHINE SCREW
25	002726-000		DOOR SKIN SIDE BRACKET
26	L20014077		30 WINDOW HOLDER NOT FIELD REPLACEABLE (NOT FIELD REPLACEABLE - MUST ORDER ITEM NO. 1)
27	002724-000		DOOR SKIN HEAT SINK, 30

Ref #	Part Number	Qty.	Description
27	002724-000		DOOR SKIN HEAT SINK, 30
28	PE060090		30 PROF. OUTER DOOR GLASS (NOT FIELD REPLACEABLE - MUST ORDER ITEM NO. 1)
NI	003779-000		DOOR ASSEMBLY - STAINLESS
NI	005514-100		DOOR ASSEMBLY - 30, CR W/BR
NI	005514-024		DOOR ASSEMBLY - 30, PAINTED XARX
NI	005514-124		DOOR ASSEMBLY - 30, PAINTED XARBRX
NI	005514-002		DOOR ASSEMBLY - 30, PAINTED XBKX
NI	005514-102		DOOR ASSEMBLY - 30, PAINTED XBKBRX
NI	005514-008		DOOR ASSEMBLY - 30, PAINTED XBUX
NI	005514-108		DOOR ASSEMBLY - 30, PAINTED XBUBRX
NI	005514-013		DOOR ASSEMBLY - 30, PAINTED XCBX
NI	005514-113		DOOR ASSEMBLY - 30, PAINTED XCBBRX
NI	005514-018		DOOR ASSEMBLY - 30, PAINTED XCWX
NI	005514-118		DOOR ASSEMBLY - 30, PAINTED XCWBRX
NI	005514-005		DOOR ASSEMBLY - 30, PAINTED XGGX
NI	005514-105		DOOR ASSEMBLY - 30, PAINTED XGGBRX
NI	005514-020		DOOR ASSEMBLY - 30, PAINTED XGMX
NI	005514-120		DOOR ASSEMBLY - 30, PAINTED XGMBRX
NI	005514-023		DOOR ASSEMBLY - 30, PAINTED XIBX
NI	005514-123		DOOR ASSEMBLY - 30, PAINTED XIBBRX
NI	005514-009		DOOR ASSEMBLY - 30, PAINTED XLEX
NI	005514-109		DOOR ASSEMBLY - 30, PAINTED XLEBRX
NI	005514-010		DOOR ASSEMBLY - 30, PAINTED XMJX
NI	005514-110		DOOR ASSEMBLY - 30, PAINTED XMJBRX
NI	005514-027		DOOR ASSEMBLY - 30, PAINTED XMSX
NI	005514-127		DOOR ASSEMBLY - 30, PAINTED XMSBRX
NI	005514-019		DOOR ASSEMBLY - 30, PAINTED XOGX
NI	005514-119		DOOR ASSEMBLY - 30, PAINTED XOGBRX
NI	005514-015		DOOR ASSEMBLY - 30, PAINTED XPLX
NI	005514-115		DOOR ASSEMBLY - 30, PAINTED XPLBRX
NI	005514-026		DOOR ASSEMBLY - 30, PAINTED XPMX
NI	005514-126		DOOR ASSEMBLY - 30, PAINTED XPMBRX
NI	005514-025		DOOR ASSEMBLY - 30, PAINTED XRRX
NI	005514-125		DOOR ASSEMBLY - 30, PAINTED XRRBRX
NI	005514-021		DOOR ASSEMBLY - 30, PAINTED XSAX
NI	005514-121		DOOR ASSEMBLY - 30, PAINTED XSABRX
NI	005514-022		DOOR ASSEMBLY - 30, PAINTED XSEX
NI	005514-122		DOOR ASSEMBLY - 30, PAINTED XSEBRX
NI	005514-004		DOOR ASSEMBLY - 30, PAINTED XSGX
NI	005514-104		DOOR ASSEMBLY - 30, PAINTED XSGBRX
NI	005514-017		DOOR ASSEMBLY - 30, PAINTED XTPX
NI	005514-117		DOOR ASSEMBLY - 30, PAINTED XTPBRX
NI	005514-012		DOOR ASSEMBLY - 30, PAINTED XVBX
NI	005514-112		DOOR ASSEMBLY - 30, PAINTED XVBBRX
NI	005514-006		DOOR ASSEMBLY - 30, PAINTED XWHX
NI	005514-106		DOOR ASSEMBLY - 30, PAINTED XWHBRX
NI	PB070246		30 DOOR GASKET



Ref #	Part Number	Qty.	Description
1	PD020046		NO.8 X 1/2 SCREWS
2	003810-000		BACKGUARD TOP, SS
3	002703-000		BACKGUARD ENDCAP
4	PD020056		NO.10-24 X 1/2 PH.TR. M.S. SS
5	003811-000		BACKGUARD BACK, ALUMINIZED
6	003809-000		BACKGUARD FRONT SUPPORT, SS
7	003806-000		BACKGUARD FRONT PANEL, SS
8	003814-000		BACKGUARD INNER DIVERTER, SS

*No Image
Available*

Ref #	Part Number	Qty.	Description
NI	004132-000	1	OVEN HARNESS BEFORE 7/28/10 (072810C00009177)
NI	021182-000	1	MAIN OVEN HARNESS ON OR AFTER 7/28/10 (072810C00009177)
NI	004133-000	1	CONTROL PANEL HARNESS BEFORE 7/28/10 (072810C00009177)
NI	020019-000	1	HARNESS, WRG, CONTROL ON OR AFTER 7/28/10 (072810C00009177)
NI	005292-000	1	MODEL 5 HEADER BEFORE 7/28/10 (072810C00009177)
NI	023022-000	1	MODEL 17 HEADER ON OR AFTER 7/28/10 (072810C00009177)
NI	000915-000	1	LIMIT JUMPER BEFORE 7/28/10 (072810C00009177)
NI	PE070734	1	SINGLE OVEN HEADER BEFORE 7/28/10 (072810C00009177)
NI	024909-000	1	SHIELD, WRG