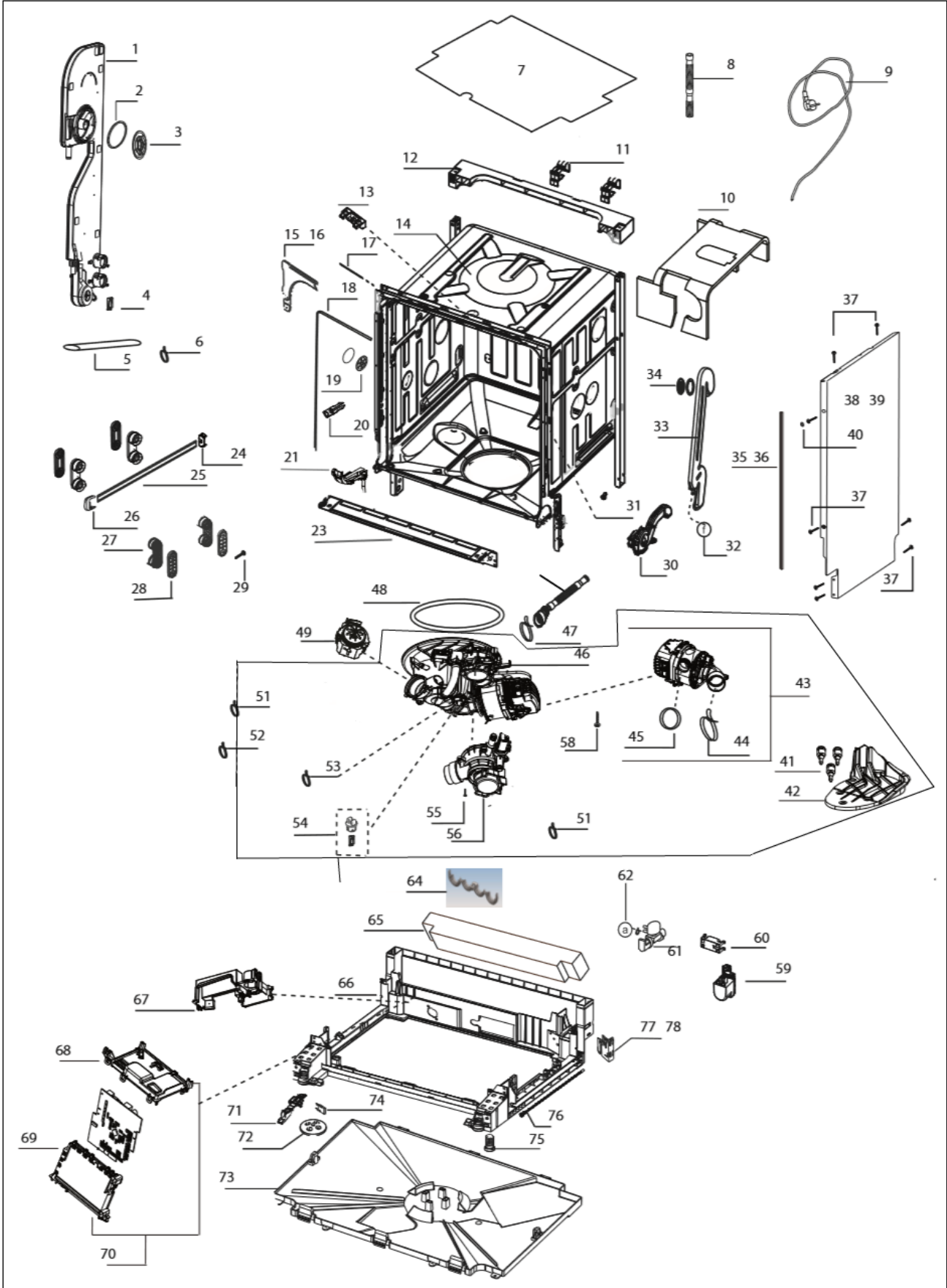


VDWU324SS

VDWU324SS Tub	1
VDWU324SS Interior	2
VDWU324SS Door	3
Appendix A:Pages Index	A
Appendix B:Parts Index	B

VDWU324SS Tub



Item	Part No.	Name	Qty	Uom	NOTES
1	070162-000	AIR BREAKER_COUNTER GR SMALL	1	EA	
2	060206-000	AIR FUNNEL GASKET	2	EA	
3	050778-000	air funnel cup	1	EA	
4	061480-000	COUNTER PCB_4 (FLOW METER)	1	EA	
5	039874-000	HOSE (REGENERATION TO SUMP)	1	EA	
6	060723-000	HOSE CLAMP (Ø 16.4)	3	EA	
7	061464-000	TUB COVER (2mm)	1	EA	
8	070181-000	DRAIN HOSE-L=440MM (SHORT DRAIN HOSE THAT CONNECTS TO SUMP GROUP)	1	EA	
9	039949-000	MAIN POWER PLUG 120V USA	1	EA	
9	070139-000	MAIN PLUG EURO 230V CANADA	1	EA	
10	070339-000	ANGORA UPPER ISOLATION	1	EA	
11	070188-000	ANGORA WATER INLET VALVE HOSE HOLDER	1	EA	
12	070206-000	HITIT REAR UPPER TRAVERSE	1	EA	
13	070090-000	DOOR LOCK HOOK SUPPORT B1	1	EA	
14	070236-000	bolt M4x11.2	1	EA	
15	070095-000	ANGORA CORNER BRACKET	1	EA	
16	070096-000	ANGORA CORNER BRACKET	1	EA	
17	070193-000	ANGORA LARGE UPPER SOUND GASKET	1	EA	
18	039769-000	DOOR SEALING GASKET	1	EA	
19	050778-000	air funnel cup	1	EA	
20	070089-000	HITIT_LOCK_HOOK-7016	1	EA	
21	070347-000	ANGORA OWERFLOW SIPHON	2	EA	
23	070087-000	ANGORA FRONT LOWER SUPPORT SHEET	1	EA	
24	050782-000	rail cap front back	2	EA	
25	039887-000	RAIL	2	EA	
26	050782-000	rail cap front back	2	EA	

Item	Part No.	Name	Qty	Uom	NOTES
27	059869-000	RAIL WHEEL GROUP	4	EA	Not available online / Call for pricing and availability
28	039777-000	RAIL WHEEL HOLDER	4	EA	
29	039766-000	RAIL WHEEL SCREW	8	EA	
30	070186-000	ANGORA FAN GROUP	1	EA	
31	070209-000	BUILT IN CENTERING PLUG-7037	8	EA	
32	050797-000	HOSE BETWEEN FAN AND SUMP	1	EA	
33	060175-000	FAN SUCTION TUBE - WELDED	0.9	EA	
34	050778-000	air funnel cup	1	EA	
35	057529-000	NOISE ISOLATION	2	EA	
Not Shown	NOTE	(SLIDES ON TRIM OF TUB)		EA	
36	039760-000	NOISE ISOLATION	2	EA	
Not Shown	NOTE	(STICKS ON SIDE OF UNIT)		EA	
37	039876-000	SCREW	6	EA	
38	070225-000	SIDE PANEL-LEFT-ARC744	1	EA	
39	070226-000	SIDE PANEL-RIGHT-ARC744	1	EA	
40	060203-000	SCREW CAP SIDE WALLS	2	EA	
41	060182-000	CIRCULATION PUMP DAMPENING RUBBER	3	EA	
42	070129-000	KARINA QUADRO MOTOR HANGING BRACKET	1	EA	
43	070342-000	ATLANTIS MOTOR CLAMP GROUP	1	EA	
44	050799-000	HOSE CLAMP	1	EA	
45	070189-000	CRIMP CLAMP	1	EA	
46	070340-000	KARINA SUMP GROUP	1	EA	
47	039953-000	HOSE CLAMP.(+ 34_1)	1	EA	
48	039722-000	SUMP GASKET	1	EA	
49	039758-000	DRAIN PUMP GROUP	1	EA	
51	057528-000	Hose clamp with screw	1	EA	
52	039951-000	HOSE CLAMP (DIA 17.3)	1	EA	
53	057589-000	HOSE CLAMP (Ø 15.88)	1	EA	

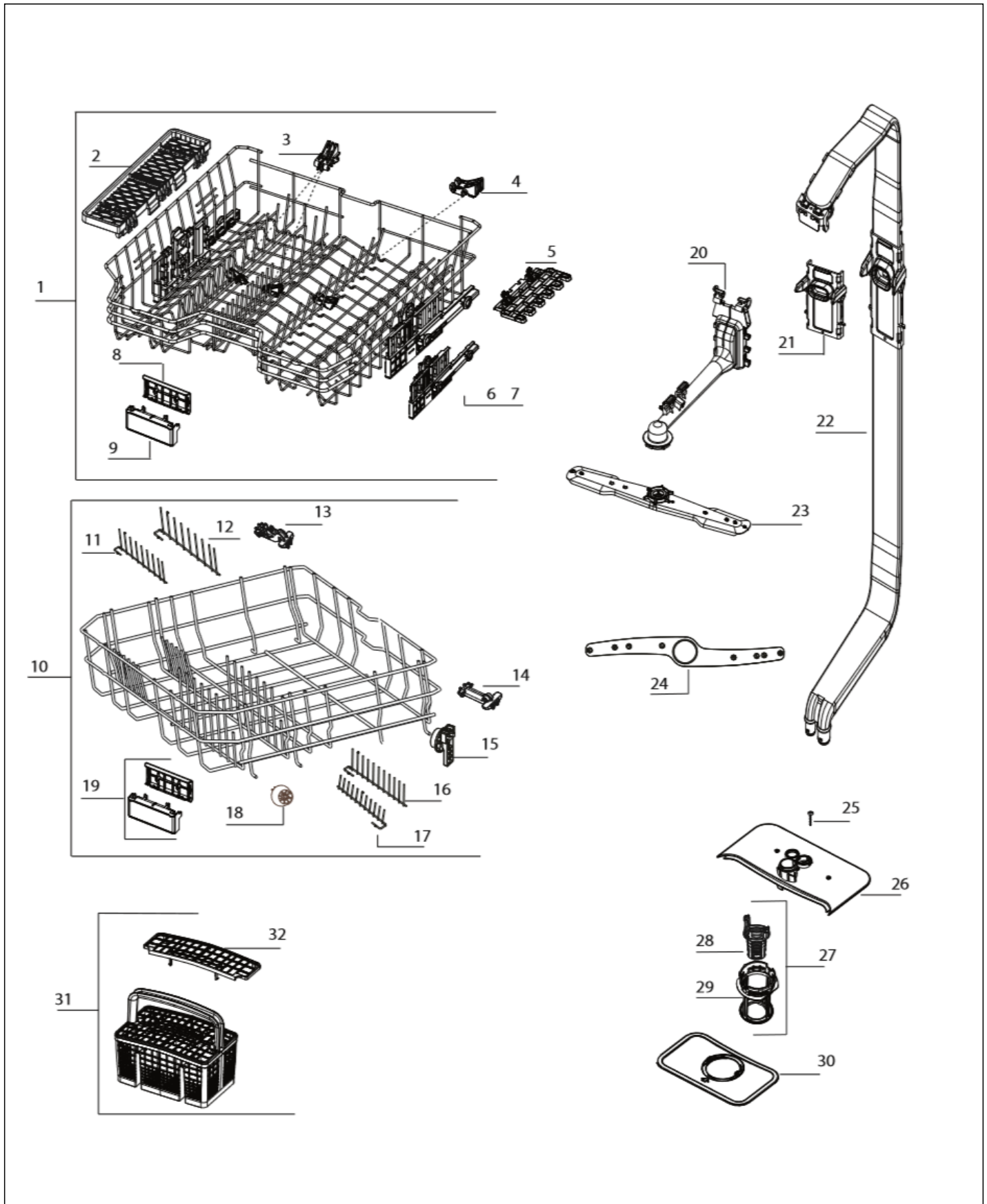
Item	Part No.	Name	Qty	Uom	NOTES
54	070145-000	TURBIDITY+NTC GROUP	1	EA	
55	039945-000	SCREW	3	EA	
56	070175-000	KARİNA VALVE GROUP	1	EA	
57	070344-000	KARİNA SUMP GROUP	1	EA	
58	070185-000	CAD ITEM	2	EA	
59	061473-000	AMERICA BOBBIN TERFERENCE FILTER (POWER MODULE)	1	EA	
60	070207-000	ANGORA 1.5MM NETWORK CABLE LOCK	1	EA	
61	070150-000	WATER INLET VALVE	1	EA	
NI	061502-000	SCREW (WATER INLET VALVE)		EA	
62	070182-000	HOSE (VALVE-COUNTER)	1	EA	
64	070204-000	ANGORA DRAIN HOSE LOCK	1	EA	
65	070160-000	ANGORA KICK PLATE ISOLATION	1	EA	
66	070097-000	ANGORA BUILT-IN BOTTOM TRAY GR	1	EA	
67	070210-000	MEŞE CARD HOLDER CASING	1	EA	
68	070144-000	MESE CARD HOLDER BACK PART	1	EA	
69	070143-000	MESE CARD HOLDER FRONT PART	1	EA	
70	070338-000	MAIN BOARD uE934600	1	EA	
71	070151-000	HİTİT OVER FLOATING CASING	1	EA	
72	070208-000	HİTİT FLOAT STYROPOR	1	EA	
73	070128-000	ANGORA BOTTOM TRAY	1	EA	
74	070153-000	HİTİT_MICRO_SWITCH	0.75	EA	
75	070085-000	ANGORA BUILT UNDER FOOT	4	EA	
76	070093-000	REAR ADJUSTABLE FOOT CONNECTION PART_3	2	EA	
77	070091-000	ANGORA BACK SIDE ADJUSTABLE FOOT RIGHT	1	EA	
78	070092-000	ANGORA BACK SIDE ADJUSTABLE FOOR GR LEFT	1	EA	
79	070180-000	DRAIN HOSE-L=2085MM (LONG DRAIN HOSE THAT RUNS TO THE SINK)	1	EA	
NI	070235-000	ACCESSORIES PACK	1	EA	



VDWU324SS

Item	Part No.	Name	Qty	Uom	NOTES
Not Shown	NOTE	(INSTALL HARDWARE)		EA	

VDWU324SS Interior

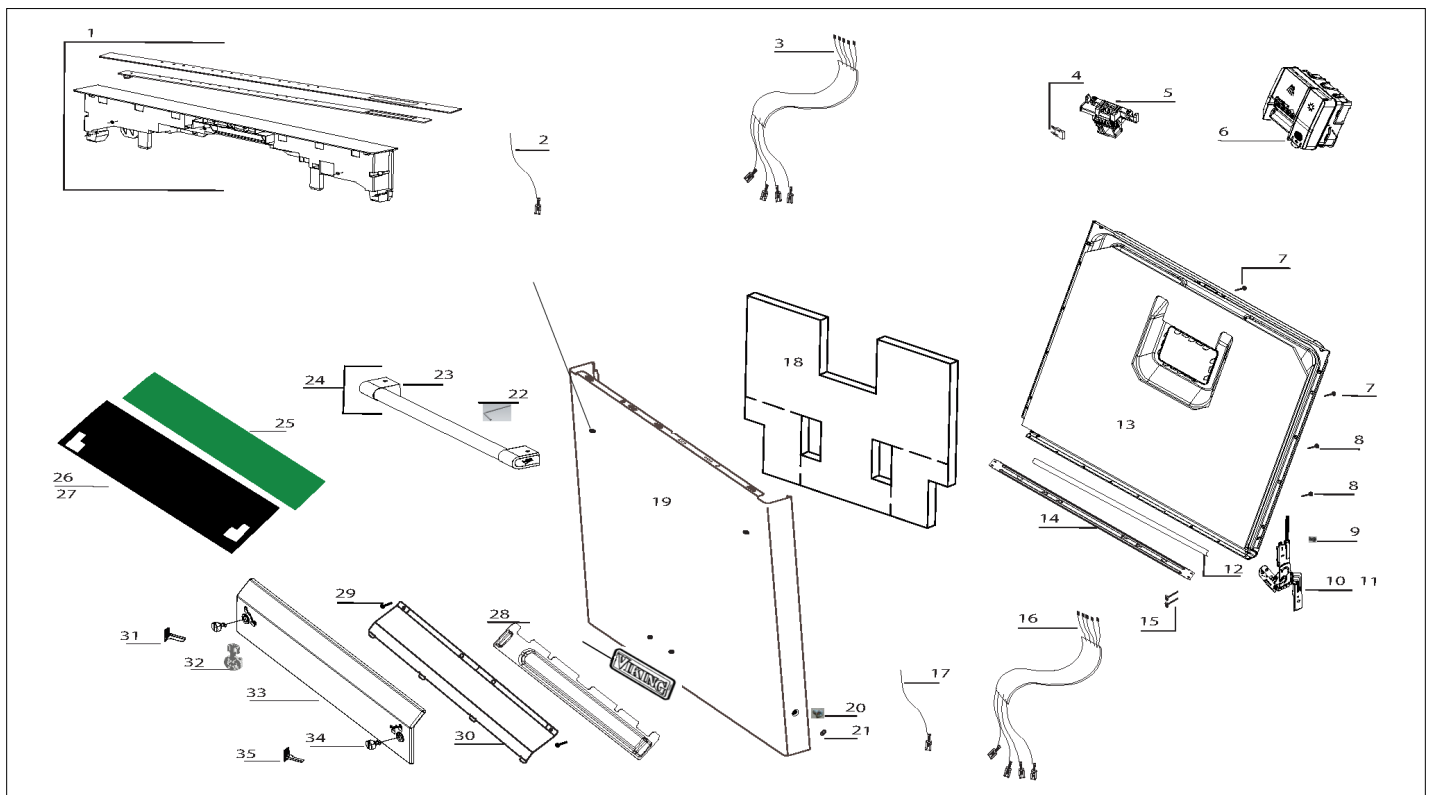


Item	Part No.	Name	Qty	Uom	NOTES
1	070331-000	EU3 UPPER BASKET GROUP	1	EA	
2	070343-000	GRUNDIG KNIFE HOLDER	1	EA	
3	070124-000	EU3 TOP BASKET BOWL FOLDABLE PART 7016	2	EA	
4	070125-000	EU3 TOP BASKET GLASS FOLDABLE PART 7016	1	EA	
5	070106-000	OEM ATLANTIS SHELF GROUP	2	EA	
6	070332-000	EU3 MECHANISM GROUP - LEFT	1	EA	
7	070333-000	EU3 MECHANISM GROUP - RIGHT	1	EA	
8	070116-000	OEM ATLANTIS HANDLE BACK PART	1	EA	
9	070335-000	PANEL	1	EA	
10	070334-000	US2-3 LOWER BASKET GR.	1	EA	
11	070118-000	LOWER BASKET PLATE HOLDER BALL BACK LEFT	1	EA	
12	070114-000	LOWER BASKET PLATE HOLDER BALL BACK LEFT	1	EA	
13	070196-000	FOLDABLE PART LONG	4	EA	
14	070197-000	CLIPS LONG	4	EA	
15	070112-000	LOWER BASKET STOPER PLASTIC WHELL GR.	6	EA	
16	070115-000	LOWER BASKET PLATE HOLDER BALL BACK RIGH	1	EA	
17	070119-000	LOWER BASKET PLATE HOLDER BALL BACK RIGHT	1	EA	
18	060707-000	GRD LOWER BASKET WHEEL GROUP	2	EA	Not available online / Call for pricing and availability
19	050883-000	LOWER BASKET HANDLE	1	EA	
20	070165-000	ATLANTIS UPPER SPRAY ARM FEEDING HOSE GR	1	EA	
21	070167-000	UPPER SPRAY ARM FEED PIPE CENTERING PART	1	EA	
22	070166-000	DORA WATER SUPPLY TUBE GR.	1	EA	
23	070164-000	ATLANTIS TOP SPRAY ARM GROUP COMPLETE	1	EA	
24	070163-000	METAL SPTAY ARM GR.	1	EA	



Item	Part No.	Name	Qty	Uom	NOTES
25	039945-000	SCREW	3	EA	
26	070341-000	KARINA FILTER SUPPORT GROUP	1	EA	
27	070177-000	FILTER GROUP_3 NO RING	1	EA	
28	057474-000	COARSE FILTER	1	EA	
29	070176-000	MICRO FILTER GROUP_3 NO RING	1	EA	
30	070173-000	METAL FILTER HALF	1	EA	
31	057482-000	CUTLERY BASKET GROUP	1	EA	
32	039791-000	CUTLERY BASKET SEPARATOR	2	EA	

VDWU324SS Door



Item	Part No.	Name	Qty	Uom	NOTES
1	070346-000	PANEL GROUP	1	EA	
2	057476-000	PROGRAM END SIGNAL CABLE	1	EA	
3	070134-000	MESE CABLE HARNESS (INCLUDES INDICATOR LIGHT)	1	EA	
4	070154-000	DOOR SWITCH	1	EA	
5	069402-000	SELFRESETING LOCK GROUP	1	EA	
6	070161-000	BITRON DETERGENT BOX GROUP	1	EA	
7	039914-000	SCREW	7	EA	
8	039916-000	SCREW	6	EA	
9	039877-000	SCREW	6	EA	
10	070228-000	HINGE GROUP SPRING SINGLE FULCRUM - RIGHT	1	EA	
11	070229-000	HINGE GROUP SPRING SINGLE FULCRUM - LEFT	1	EA	
12	039908-000	DOOR SEALING GASKET	1	EA	
13	070086-000	ATLANTIS INNER DOOR BITUMEN GR.	1	EA	
14	039935-000	HINGE ARM SUPPORT	1	EA	
15	039917-000	BOLT M4X8 D3731 D3421	11	EA	
16	070337-000	MESE CABLE HARNESS	1	EA	
17	070135-000	PALOS CABLE HARNESS - 1.0MM2	1	EA	
18	070224-000	DOOR INSULATION BEKO18 25mm	1	EA	
19	070222-000	PANEL, DOOR, PRO, SS (INCLUDES LOGO)	1	EA	
20	070236-000	bolt M4x11.2	2	EA	
21	060203-000	SCREW CAP SIDE WALLS	2	EA	
22	070223-000	ALLEN KEY SIZE 3	1	EA	
23	065087-000	TALL TUB HANDLE CONNECTION GROUP (END CAP)	2	EA	
24	060160-000	TALL TUB HANDLE GROUP WITH SET SCREWS	1	EA	
NI	076005-000	SET SCREW	2	EA	
25	070158-000	KICK PLATE FELT	1	EA	
26	070233-000	KICK PLATE RUBBER	1	EA	



Item	Part No.	Name	Qty	Uom	NOTES
27	070234-000	KICK PLATE RUBBER	1	EA	
NI	063715-000	INSULATION MATERIAL	1	EA	
Not Shown	NOTE	(GOES BEHIND KICKPLATE)		EA	
28	070157-000	ANGORA BI KICK PLATE PAD	1	EA	
29	060158-000	SCREW	2	EA	
30	070146-000	ANGORA BI KICK PLATE STEEL	1	EA	
31	070147-000	PLASTIC NORDIC SETTING PART, RH BRACKET	1	EA	
32	070149-000	ANGORA NORDIC SHEET METAL ADJ. LOCK	2	EA	
33	070138-000	PLASTIC NORDIC KICK PLATE	1	EA	
34	070137-000	PLASTIC NORDIC KICK PLATE HOLDING PART	2	EA	
35	070148-000	PLASTIK NORDIC SETTING PART, LH BRACKET	1	EA	
36	041992-000	NAMEPLATE, VIKING, 4.500"	1	EA	
37	069746-000	TALL TUB USA COVER (STUD COLLAR)	2	EA	
NI	069747-000	SCREW (FOR STUD COLLAR)	2	EA	



Appendix A:Pages Index

VDWU324SS Door	3
VDWU324SS Interior	2
VDWU324SS Tub	1



Appendix B:Parts Index

039722-000	1	060723-000	1
039758-000	1	061464-000	1
039760-000	1	061473-000	1
039766-000	1	061480-000	1
039769-000	1	061502-000	1
039777-000	1	063715-000	3
039791-000	2	065087-000	3
039874-000	1	069402-000	3
039876-000	1	069746-000	3
039877-000	3	069747-000	3
039887-000	1	070085-000	1
039908-000	3	070086-000	3
039914-000	3	070087-000	1
039916-000	3	070089-000	1
039917-000	3	070090-000	1
039935-000	3	070091-000	1
039945-000	1, 2	070092-000	1
039949-000	1	070093-000	1
039951-000	1	070095-000	1
039953-000	1	070096-000	1
041992-000	3	070097-000	1
050778-000	1, 1, 1	070106-000	2
050782-000	1, 1	070112-000	2
050797-000	1	070114-000	2
050799-000	1	070115-000	2
050883-000	2	070116-000	2
057474-000	2	070118-000	2
057476-000	3	070119-000	2
057482-000	2	070124-000	2
057528-000	1	070125-000	2
057529-000	1	070128-000	1
057589-000	1	070129-000	1
059869-000	1	070134-000	3
060158-000	3	070135-000	3
060160-000	3	070137-000	3
060175-000	1	070138-000	3
060182-000	1	070139-000	1
060203-000	1, 3	070143-000	1
060206-000	1	070144-000	1
060707-000	2	070145-000	1
		070146-000	3



070147-000	3	070226-000	1
070148-000	3	070228-000	3
070149-000	3	070229-000	3
070150-000	1	070233-000	3
070151-000	1	070234-000	3
070153-000	1	070235-000	1
070154-000	3	070236-000	1, 3
070157-000	3	070331-000	2
070158-000	3	070332-000	2
070160-000	1	070333-000	2
070161-000	3	070334-000	2
070162-000	1	070335-000	2
070163-000	2	070337-000	3
070164-000	2	070338-000	1
070165-000	2	070339-000	1
070166-000	2	070340-000	1
070167-000	2	070341-000	2
070173-000	2	070342-000	1
070175-000	1	070343-000	2
070176-000	2	070344-000	1
070177-000	2	070346-000	3
070180-000	1	070347-000	1
070181-000	1	076005-000	3
070182-000	1		
070185-000	1		
070186-000	1		
070188-000	1		
070189-000	1		
070193-000	1		
070196-000	2		
070197-000	2		
070204-000	1		
070206-000	1		
070207-000	1		
070208-000	1		
070209-000	1		
070210-000	1		
070222-000	3		
070223-000	3		
070224-000	3		
070225-000	1		