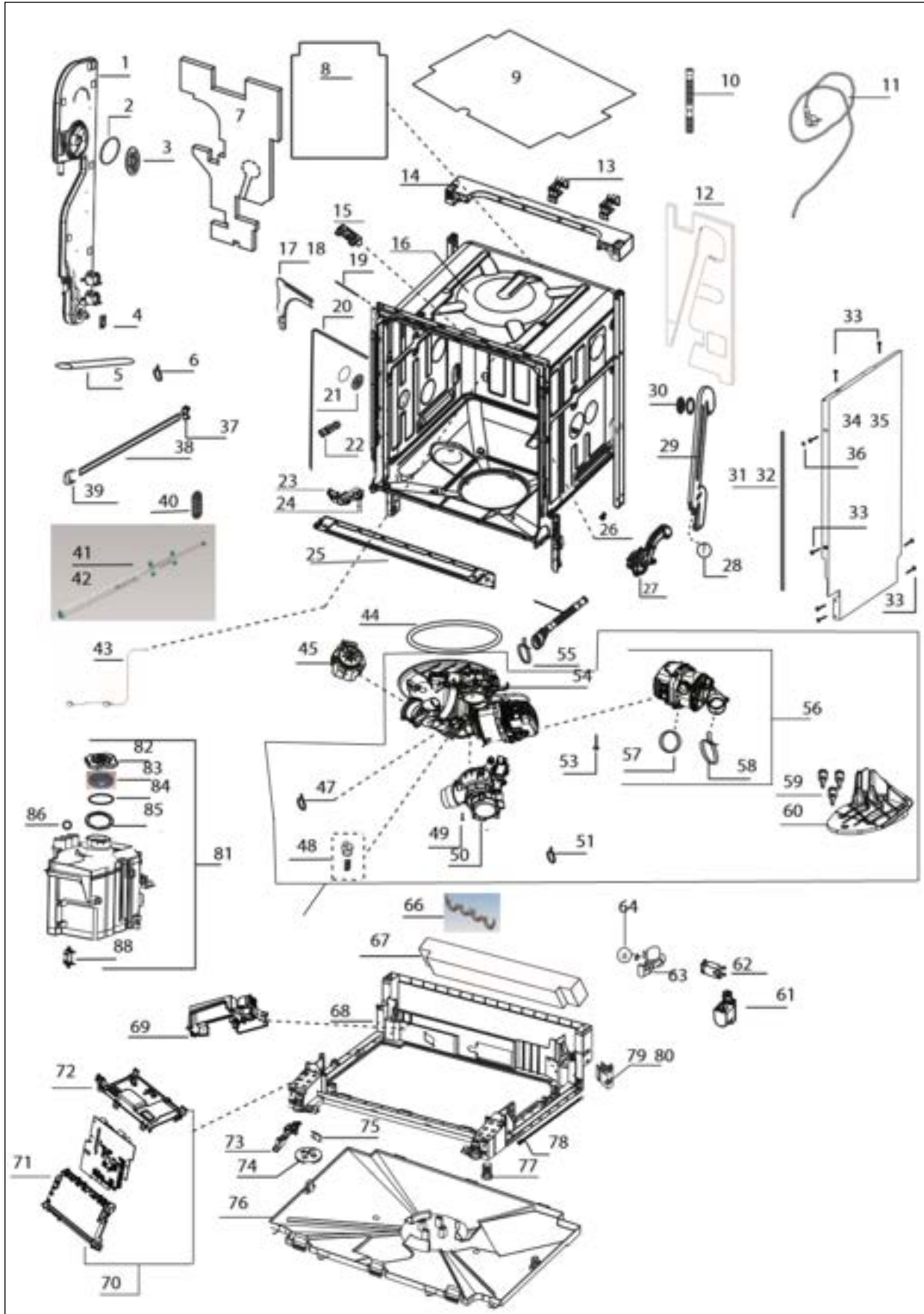


**VDWU524WSS**

VDWU524WSSS Tub Parts .....	1
VDWU524WSSS Interior Parts .....	2
VDWU524WSSS Door Parts .....	3
Appendix A:Pages Index .....	A
Appendix B:Parts Index .....	B

VDWU524WSSS Tub Parts





Item	Part No.	Name	Qty	Uom	NOTES
1	070162-000	AIR BREAKER_COUNTER GR SMALL	1	EA	
2	060206-000	AIR FUNNEL GASKET	2	EA	
3	050778-000	air funnel cup	2	EA	
4	061480-000	COUNTER PCB_4 (FLOW METER)	1	EA	
5	070218-000	HOSE	1	EA	
6	060723-000	HOSE CLAMP (Ø 16.4)	2	EA	
7	070159-000	ANGORA INNER TUB ISOLATION LEFT	1	EA	
8	070156-000	REAR FRAME COTTON FLEECE	1	EA	
9	061464-000	TUB COVER (2mm)	1	EA	
10	070181-000	DRAIN HOSE-L=440MM (SHORT DRAIN HOSE THAT CONNECTS TO SUMP GROUP)	1	EA	
11	039949-000	MAIN POWER PLUG 120V USA	1	EA	
11	070139-000	MAIN PLUG EURO 230V CANADA	1	EA	
12	070155-000	INNER TUB ISOLATION-RIGHT	1	EA	
13	070188-000	ANGORA WATER INLET VALVE HOSE HOLDER	1	EA	
14	070206-000	HITIT REAR UPPER TRAVERSE	1	EA	
15	070090-000	DOOR LOCK HOOK SUPPORT BI	1	EA	
16	070213-000	STRUCTURE GR	1	EA	
17	070095-000	ANGORA CORNER BRACKET	1	EA	
18	070096-000	ANGORA CORNER BRACKET	1	EA	
19	070193-000	ANGORA LARGE UPPER SOUND GASKET	1	EA	
20	039769-000	DOOR SEALING GASKET	1	EA	
21	050778-000	air funnel cup	2	EA	
22	070089-000	HITIT_LOCK_HOOK-7016	1	EA	
23	070172-000	ANGORA OWERFLOW SIPHON	2	EA	
24	070183-000	HOSE (OVERFLOW SIPHON)	2	EA	
25	070087-000	ANGORA FRONT LOWER SUPPORT SHEET	1	EA	
26	070209-000	BUILT IN CENTERING PLUG-7037	8	EA	



Item	Part No.	Name	Qty	Uom	NOTES
27	070186-000	ANGORA FAN GROUP	1	EA	
28	050797-000	HOSE BETWEEN FAN AND SUMP	1	EA	
29	060175-000	FAN SUCTION TUBE - WELDED	0.9	EA	
30	050778-000	air funnel cup	2	EA	
31	057529-000	NOISE ISOLATION	2	EA	
Not Shown	NOTE	(SLIDES ON TRIM OF TUB)		EA	
32	039760-000	NOISE ISOLATION	2	EA	
Not Shown	NOTE	(STICKS ON SIDE OF UNIT)		EA	
33	039876-000	SCREW	6	EA	
34	070225-000	SIDE PANEL-LEFT-ARC744	1	EA	
35	070226-000	SIDE PANEL-RIGHT-ARC744	1	EA	
36	060203-000	SCREW CAP SIDE WALLS	2	EA	
37	050782-000	rail cap front back	2	EA	
38	039887-000	RAIL	2	EA	
39	070123-000	RAIL CAP-7037	2	EA	
40	039777-000	RAIL WHEEL HOLDER	4	EA	
41	070140-000	UPPER BASKET TELESCOPIC RAIL GROUP, LH	1	EA	
42	070141-000	UPPER BASKET TELESCOPIC RAIL GROUP, RH	1	EA	
43	070202-000	TOP LIGHTING GROUP	1	EA	
44	039722-000	SUMP GASKET	1	EA	
45	070132-000	BLDC DRAIN PUMP GROUP	1	EA	
47	057589-000	HOSE CLAMP (Ø 15.88)	3	EA	
48	070145-000	TURBIDITY+NTC GROUP	1	EA	
49	039945-000	SCREW	3	EA	
50	070175-000	KARİNA VALVE GROUP	1	EA	
51	057528-000	Hose clamp with screw	1	EA	
52	070211-000	KARİNA SUMP GROUP	1	EA	
53	070185-000	CAD ITEM	2	EA	
54	070168-000	KARİNA SUMP GROUP	1	EA	
55	039953-000	HOSE CLAMP.(+ 34_1)	1	EA	

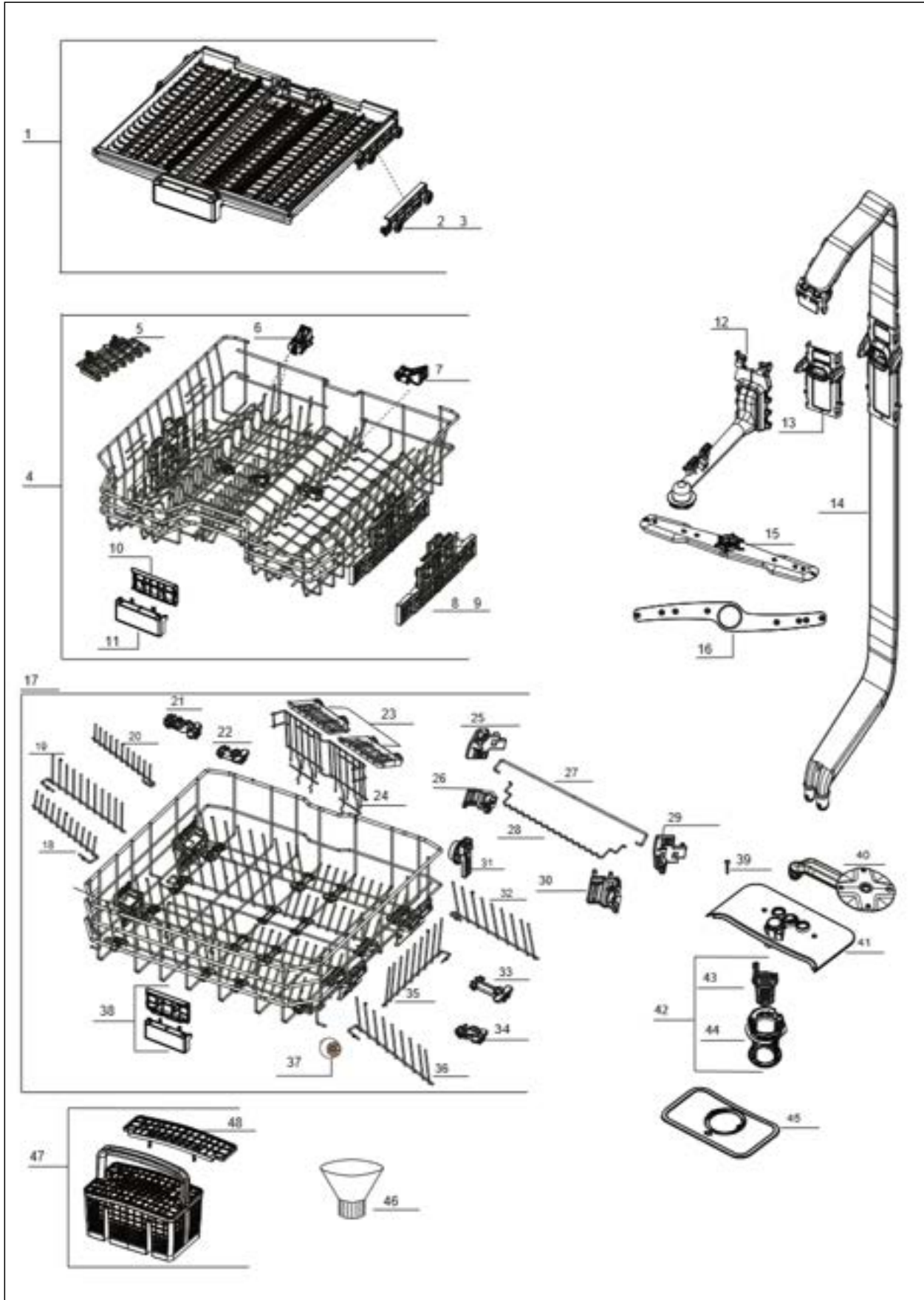


Item	Part No.	Name	Qty	Uom	NOTES
56	070192-000	ATLANTIS MOTOR CLAMP GROUP (INCLUDES FLOW THRU HEATER)	1	EA	
57	070189-000	CRIMP CLAMP	1	EA	
58	050799-000	HOSE CLAMP	1	EA	
59	060182-000	CIRCULATION PUMP DAMPENING RUBBER	3	EA	
60	070129-000	KARİNA QUADRO MOTOR HANGING BRACKET	1	EA	
61	061473-000	AMERICA BOBBIN TERFERENCE FILTER (POWER MODULE)	1	EA	
62	070207-000	ANGORA 1.5MM NETWORK CABLE LOCK	1	EA	
63	070150-000	WATER INLET VALVE	1	EA	
NI	061502-000	SCREW (WATER INLET VALVE)	2	EA	
64	070182-000	HOSE (VALVE-COUNTER)	1	EA	
66	070204-000	ANGORA DRAIN HOSE LOCK	1	EA	
67	070160-000	ANGORA KICK PLATE ISOLATION	1	EA	
68	070097-000	ANGORA BUILT-IN BOTTOM TRAY GR	1	EA	
69	070210-000	MEŞE CARD HOLDER CASING	1	EA	
70	070142-000	MAIN BOARD uE934800	1	EA	
71	070143-000	MESE CARD HOLDER FRONT PART	1	EA	
72	070144-000	MESE CARD HOLDER BACK PART	1	EA	
73	070151-000	HİTİT OVER FLOATING CASING	1	EA	
74	070208-000	HİTİT FLOAT STYROPOR	1	EA	
75	070153-000	HİTİT_MICRO_SWITCH	0.75	EA	
76	070128-000	ANGORA BOTTOM TRAY	1	EA	
77	070085-000	ANGORA BUILT UNDER FOOT	4	EA	
78	070093-000	REAR ADJUSTABLE FOOT CONNECTION PART_3	2	EA	
79	070091-000	ANGORA BACK SIDE ADJUSTABLE FOOT RIGHT	1	EA	
80	070092-000	ANGORA BACK SIDE ADJUSTABLE FOOR GR LEFT	1	EA	



Item	Part No.	Name	Qty	Uom	NOTES
81	070216-000	GRD SOFTENER GROUP BITRON	1	EA	
82	057590-000	WATER SOFTENER CAP GROUP-RAL7016	1	EA	
83	057591-000	WATER SOFTENER CAP GASKET	1	EA	
84	050807-000	SOFTENER O-RING	1	EA	
85	057592-000	WATER SOFTENER NUT	1	EA	
86	070217-000	O-RING WATER SOFTENER AIR BREAKER 2009	1	EA	
88	070215-000	SALT INDICATOR SWITCH	1	EA	
89	070180-000	DRAIN HOSE-L=2085MM (LONG DRAIN HOSE THAT RUNS TO THE SINK)	1	EA	
NI	070235-000	ACCESSORIES PACK	1	EA	
Not Shown	NOTE	(INSTALL HARDWARE)		EA	

VDWU524WSSS Interior Parts







Item	Part No.	Name	Qty	Uom	NOTES
1	070203-000	ATLANTIS CUTLERY TRAY GR	1	EA	
2	070194-000	FLEXIBLE CUTLERY TRAY WHEEL MECHANISM GR - LEFT	1	EA	
3	070195-000	FLEXIBLE CUTLERY TRAY WHEEL MECHANISM GR - RIGHT	1	EA	
4	070108-000	EU3 UPPER BASKET GROUP	1	EA	
5	070106-000	OEM ATLANTIS SHELF GROUP	4	EA	
6	070124-000	EU3 TOP BASKET BOWL FOLDABLE PART 7016	2	EA	
7	070125-000	EU3 TOP BASKET GLASS FOLDABLE PART 7016	1	EA	
8	070109-000	TELESCOPIC RAIL MECHANISM GROUP - LEFT	1	EA	
9	070110-000	TELESCOPIC RAIL MECHANISM GROUP - RIGHT	1	EA	
10	070116-000	OEM ATLANTIS HANDLE BACK PART	1	EA	
11	070117-000	PANEL	1	EA	
12	070165-000	ATLANTIS UPPER SPRAY ARM FEEDING HOSE GR	1	EA	
13	070167-000	UPPER SPRAY ARM FEED PIPE CENTERING PART	1	EA	
14	070166-000	DORA WATER SUPPLY TUBE GR.	1	EA	
15	070164-000	ATLANTIS TOP SPRAY ARM GROUP COMPLETE	1	EA	
16	070163-000	METAL SPTAY ARM GR.	1	EA	
17	070111-000	EU2-3 LOWER BASKET GROUP	1	EA	
18	070119-000	LOWER BASKET PLATE HOLDER BALL BACK RIGHT	1	EA	
19	070115-000	LOWER BASKET PLATE HOLDER BALL BACK RIGH	2	EA	
20	070122-000	LOWER BASKET PLATE HOLDER BALL RIGHT FRONT	1	EA	
21	070196-000	FOLDABLE PART LONG	6	EA	
22	070198-000	FOLDABLE PART SHORT	2	EA	
23	070107-000	EU3 MULTI PURPOSE TRAY	2	EA	
24	070113-000	EU3 MULTIPURPOSE RACK WIRE	1	EA	

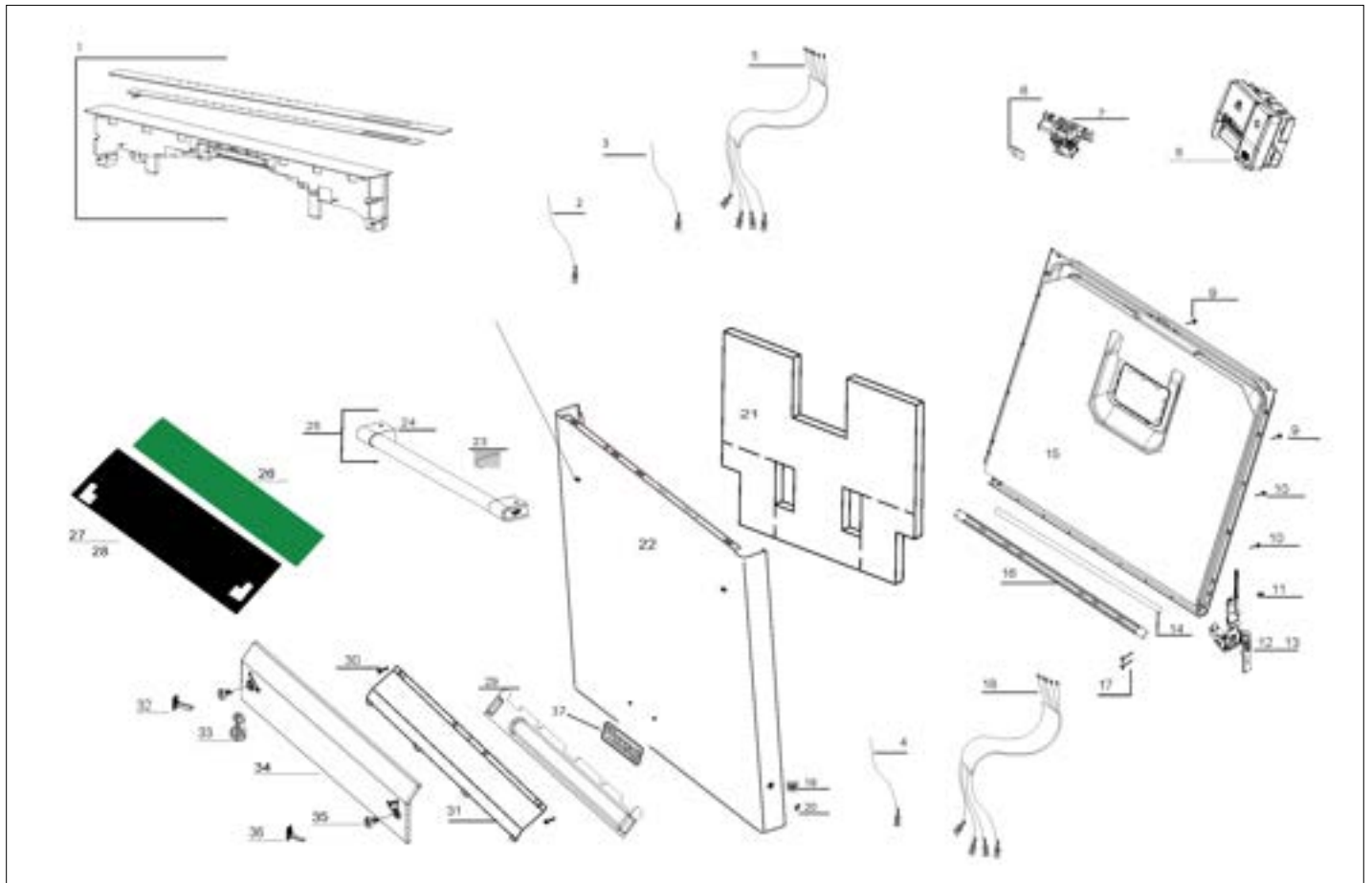


Item	Part No.	Name	Qty	Uom	NOTES
25	070102-000	WINE GLASS TOP WIRE HOLDER-LEFT-7016	1	EA	
26	070104-000	WINE GLASS BOTTOM WIRE HOLDER-LEFT-7016	1	EA	
27	070101-000	WINE GLASS BOTTOM WIRE RAL7016	1	EA	
28	070100-000	WINE GLASS TOP WIRE RAL7016	1	EA	
29	070103-000	WINE GLASS TOP WIRE HOLDER-RIGHT-7016	1	EA	
30	070105-000	WINE GLASS BOTTOM WIRE HOLDER-RIGHT-7016	1	EA	
31	070112-000	LOWER BASKET STOPER PLASTIC WHELL GR.	6	EA	
32	070120-000	LOWER BASKET PLATE HOLDER BALL LEFT FRONT	1	EA	
NI	070121-000	LOWER BASKET PLATE HOLDER BALL LEFT FRONT	1	EA	
33	070197-000	CLIPS LONG	6	EA	
34	070199-000	CLIPS SHORT	2	EA	
35	070114-000	LOWER BASKET PLATE HOLDER BALL BACK LEFT	1	EA	
36	070118-000	LOWER BASKET PLATE HOLDER BALL BACK LEFT	1	EA	
37	060707-000	GRD LOWER BASKET WHEEL GROUP	2	EA	Not available online / Call for pricing and availability
38	050883-000	LOWER BASKET HANDLE	1	EA	
39	039945-000	SCREW	3	EA	
40	060195-000	ZONE WASH GROUP	1	EA	
41	070174-000	KARINA FILTER SUPPORT GROUP	1	EA	
42	070176-000	MICRO FILTER GROUP_3 NO RING	1	EA	
43	057474-000	COARSE FILTER	1	EA	
44	070176-000	MICRO FILTER GROUP_3 NO RING	1	EA	
45	070173-000	METAL FILTER HALF	1	EA	
46	057593-000	SALT FUNNEL 2	1	EA	Not available online / Call for pricing and availability



Item	Part No.	Name	Qty	Uom	NOTES
47	057482-000	CUTLERY BASKET GROUP	1	EA	
48	039791-000	CUTLERY BASKET SEPARATOR	2	EA	

VDWU524WSSS Door Parts





Item	Part No.	Name	Qty	Uom	NOTES
1	070227-000	PANEL GROUP	1	EA	
2	057476-000	PROGRAM END SIGNAL CABLE	1	EA	
3	070135-000	PALOS CABLE HARNESS - 1.0MM2	1	EA	
4	070136-000	CABLE HARNESS NEW DOOR OPEN	1	EA	
5	070214-000	MESE CABLE HARNESS	1	EA	
6	070154-000	DOOR SWITCH	1	EA	
7	069402-000	SELFRESETING LOCK GROUP	1	EA	
8	070161-000	BITRON DETERGENT BOX GROUP	1	EA	
9	039914-000	SCREW	7	EA	
10	039916-000	SCREW	6	EA	
11	039877-000	SCREW	6	EA	
12	070228-000	HINGE GROUP SPRING SINGLE FULCRUM - RIGHT	1	EA	
13	070229-000	HINGE GROUP SPRING SINGLE FULCRUM - LEFT	1	EA	
14	039908-000	DOOR SEALING GASKET	1	EA	
15	070086-000	ATLANTIS INNER DOOR BITUMEN GR.	1	EA	
16	039935-000	HINGE ARM SUPPORT	1	EA	
17	039917-000	BOLT M4X8 D3731 D3421	11	EA	
18	070134-000	MESE CABLE HARNESS (INCLUDES INDICATOR LIGHT)	1	EA	
19	070236-000	bolt M4x11.2	2	EA	
20	060203-000	SCREW CAP SIDE WALLS	2	EA	
21	070224-000	DOOR INSULATION BEKO18 25mm	1	EA	
22	070222-000	PANEL, DOOR, PRO, SS (INCLUDES LOGO)	1	EA	
23	070223-000	ALLEN KEY SIZE 3	1	EA	
24	065087-000	TALL TUB HANDLE CONNECTION GROUP (END CAP)	2	EA	
25	060160-000	TALL TUB HANDLE GROUP WITH SET SCREWS	1	EA	
NI	076005-000	SET SCREW	2	EA	
26	070158-000	KICK PLATE FELT	1	EA	



Item	Part No.	Name	Qty	Uom	NOTES
27	070233-000	KICK PLATE RUBBER	1	EA	
28	070234-000	KICK PLATE RUBBER	1	EA	
NI	063715-000	INSULATION MATERIAL	1	EA	
Not Shown	NOTE	(GOES BEHIND KICKPLATE)		EA	
29	070157-000	ANGORA BI KICK PLATE PAD	1	EA	
30	060158-000	SCREW	2	EA	
31	070146-000	ANGORA BI KICK PLATE STEEL	1	EA	
32	070147-000	PLASTIC NORDIC SETTING PART, RH BRACKET	1	EA	
33	070149-000	ANGORA NORDIC SHEET METAL ADJ. LOCK	2	EA	
34	070138-000	PLASTIC NORDIC KICK PLATE	1	EA	
35	070137-000	PLASTIC NORDIC KICK PLATE HOLDING PART	2	EA	
36	070148-000	PLASTIK NORDIC SETTING PART, LH BRACKET	1	EA	
37	041992-000	NAMEPLATE, VIKING, 4.500"	1	EA	
38	069746-000	TALL TUB USA COVER (STUD COLLAR)	2	EA	
NI	069747-000	SCREW (FOR STUD COLLAR)	2	EA	



Appendix A:Pages Index

VDWU524WSSS Door Parts .....	3
VDWU524WSSS Interior Parts .....	2
VDWU524WSSS Tub Parts .....	1



Appendix B:Parts Index

039722-000	..... 1	060707-000	..... 2
039760-000	..... 1	060723-000	..... 1
039769-000	..... 1	061464-000	..... 1
039777-000	..... 1	061473-000	..... 1
039791-000	..... 2	061480-000	..... 1
039876-000	..... 1	061502-000	..... 1
039877-000	..... 3	063715-000	..... 3
039887-000	..... 1	065087-000	..... 3
039908-000	..... 3	069402-000	..... 3
039914-000	..... 3	069746-000	..... 3
039916-000	..... 3	069747-000	..... 3
039917-000	..... 3	070085-000	..... 1
039935-000	..... 3	070086-000	..... 3
039945-000	..... 1, 2	070087-000	..... 1
039949-000	..... 1	070089-000	..... 1
039953-000	..... 1	070090-000	..... 1
041992-000	..... 3	070091-000	..... 1
050778-000	..... 1, 1, 1	070092-000	..... 1
050782-000	..... 1	070093-000	..... 1
050797-000	..... 1	070095-000	..... 1
050799-000	..... 1	070096-000	..... 1
050807-000	..... 1	070097-000	..... 1
050883-000	..... 2	070100-000	..... 2
057474-000	..... 2	070101-000	..... 2
057476-000	..... 3	070102-000	..... 2
057482-000	..... 2	070103-000	..... 2
057528-000	..... 1	070104-000	..... 2
057529-000	..... 1	070105-000	..... 2
057589-000	..... 1	070106-000	..... 2
057590-000	..... 1	070107-000	..... 2
057591-000	..... 1	070108-000	..... 2
057592-000	..... 1	070109-000	..... 2
057593-000	..... 2	070110-000	..... 2
060158-000	..... 3	070111-000	..... 2
060160-000	..... 3	070112-000	..... 2
060175-000	..... 1	070113-000	..... 2
060182-000	..... 1	070114-000	..... 2
060195-000	..... 2	070115-000	..... 2
060203-000	..... 1, 3	070116-000	..... 2
060206-000	..... 1	070117-000	..... 2
		070118-000	..... 2





070119-000	2	070166-000	2
070120-000	2	070167-000	2
070121-000	2	070168-000	1
070122-000	2	070172-000	1
070123-000	1	070173-000	2
070124-000	2	070174-000	2
070125-000	2	070175-000	1
070128-000	1	070176-000	2, 2
070129-000	1	070180-000	1
070132-000	1	070181-000	1
070134-000	3	070182-000	1
070135-000	3	070183-000	1
070136-000	3	070185-000	1
070137-000	3	070186-000	1
070138-000	3	070188-000	1
070139-000	1	070189-000	1
070140-000	1	070192-000	1
070141-000	1	070193-000	1
070142-000	1	070194-000	2
070143-000	1	070195-000	2
070144-000	1	070196-000	2
070145-000	1	070197-000	2
070146-000	3	070198-000	2
070147-000	3	070199-000	2
070148-000	3	070202-000	1
070149-000	3	070203-000	2
070150-000	1	070204-000	1
070151-000	1	070206-000	1
070153-000	1	070207-000	1
070154-000	3	070208-000	1
070155-000	1	070209-000	1
070156-000	1	070210-000	1
070157-000	3	070211-000	1
070158-000	3	070213-000	1
070159-000	1	070214-000	3
070160-000	1	070215-000	1
070161-000	3	070216-000	1
070162-000	1	070217-000	1
070163-000	2	070218-000	1
070164-000	2	070222-000	3
070165-000	2	070223-000	3



070224-000	3
070225-000	1
070226-000	1
070227-000	3
070228-000	3
070229-000	3
070233-000	3
070234-000	3
070235-000	1
070236-000	3
076005-000	3