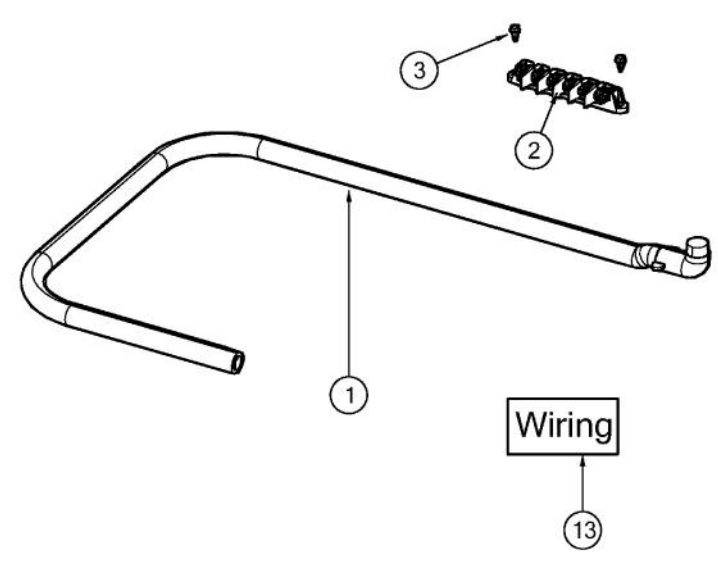
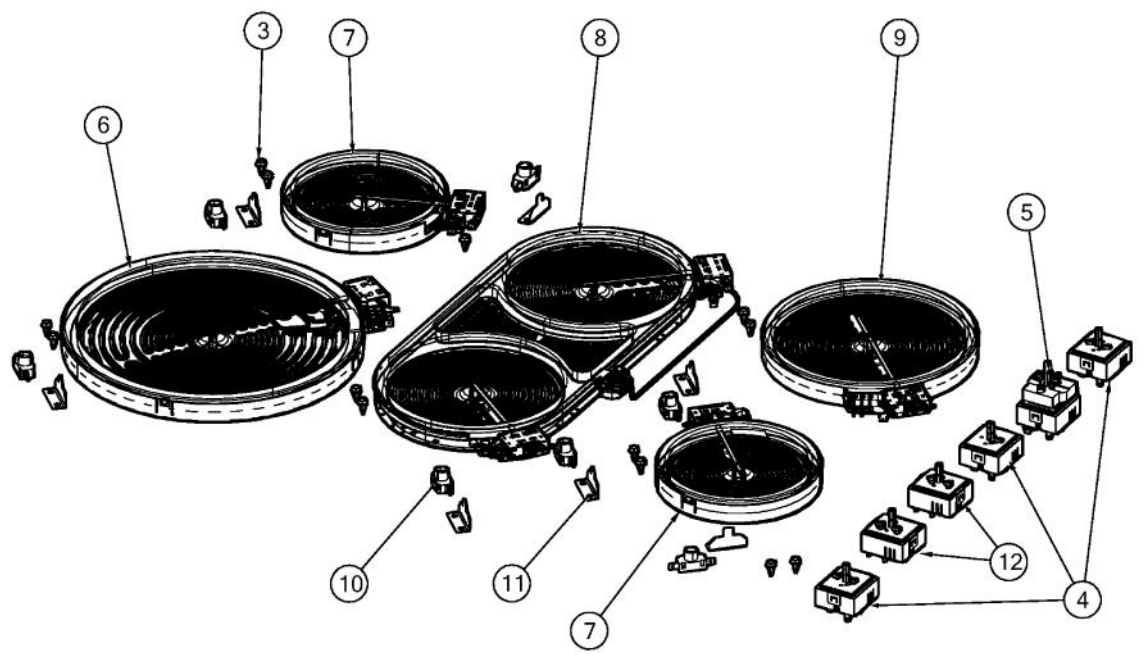
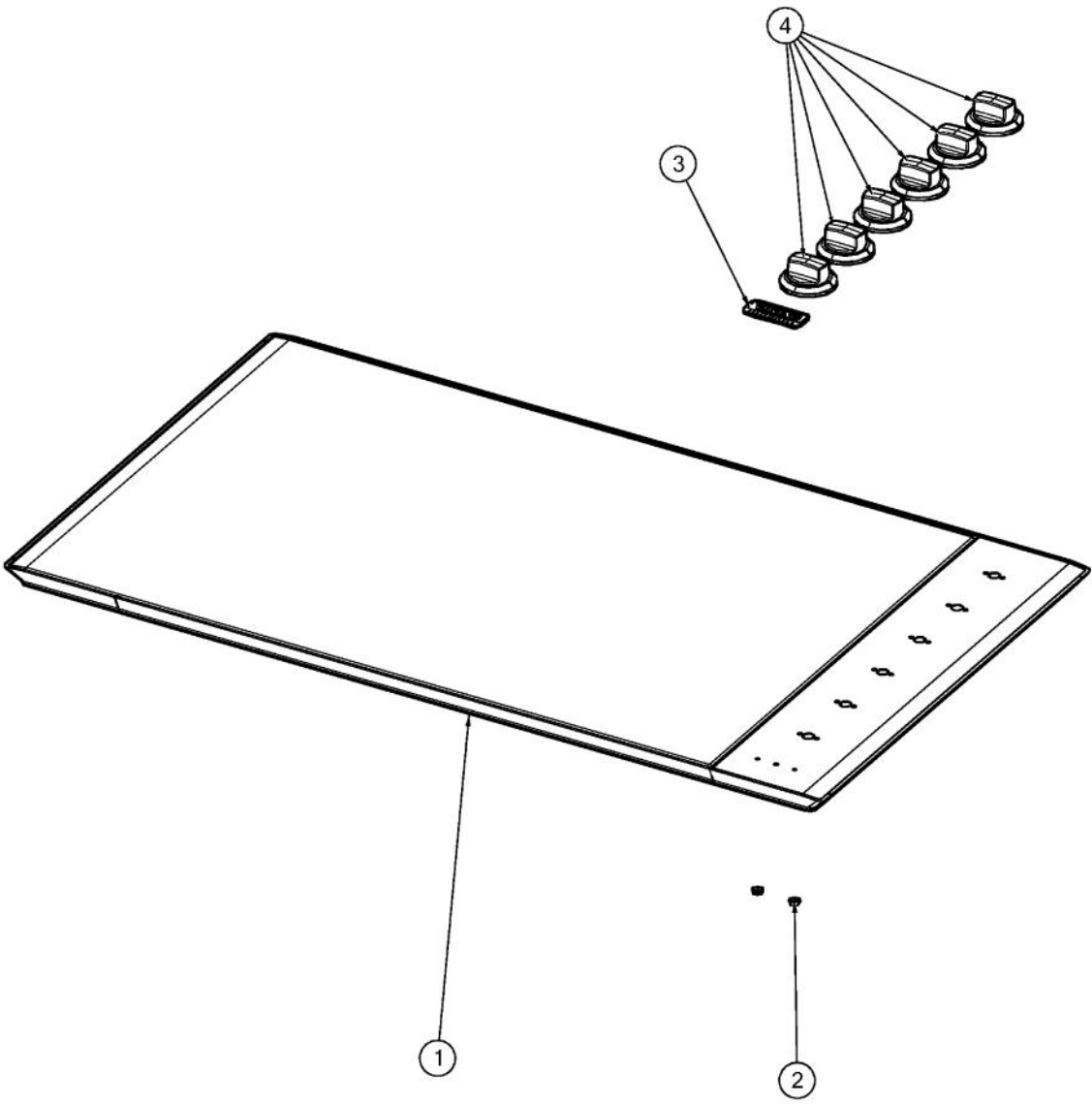


Ref #	Part Number	Qty.	Description
1	040063-000	1	BOX, ELEMENT, MTG, 36
2	026923-000	11	CLIP, SPRING, ELECTRIC ELEMENT
3	040064-000	1	BOX, BURNER, 36
4	044546-000	1	CLAMP, CONDUIT
5	PD030029	2	SELF RETAINING NUT (1/4-20)
6	PD020004	2	10X3/8PH.HD.TYPE 25 REPL PD040125
7	038618-000	2	BRACKET, HOLD
8	PD010027	2	EYE BOLT-VGSU101/161
9	PD020046	4	NO.8 X 1/2 SCREWS
10	003860-000	1	NO.10-18 X .500 FASTNR,SCR,HXWH,STL,ZPLT



Ref #	Part Number	Qty.	Description
1	036549-000	1	CONDUIT, D3 45 COOKTOP
2	PE070231	1	TERMINAL BLOCK - 6 POLE (HEYCO)
3	003860-000	16	NO.10-18 X .500 FASTNR,SCR,HXWH,STL,ZPLT
4	031728-000	3	SINGLE INFINITE SWITCH
5	031734-000	1	TRIPLE INFINITE SWITCH
6	031373-000	1	TRIPLE 3200W (1100/1000/1100) ELEMENT
7	031377-000	2	EGO SINGLE 1200W
8	040617-000	1	ELEMENT, BRIDGE
9	031376-000	1	DOUBLE 2000W (1000/1000) ELEMENT
10	PE050077	7	INDICATOR LIGHT
11	041593-000	7	BRKT, LIGHT, IND
12	031733-000	2	DUAL INFINITE SWITCH
13	042805-000	1	WIRE HARNESS, ELEC, COOKTOP, 36, 5 SERIES



Ref #	Part Number	Qty.	Description
1	040040-000	1	COOKTOP, ASM, ELECTRIC, 36
2	PD030006	2	CAPPED WASHER PAL NUT
3	040029-000	1	LOGO, COOKTOP
4	040186-000	6	ELEC, KNOB, ASM