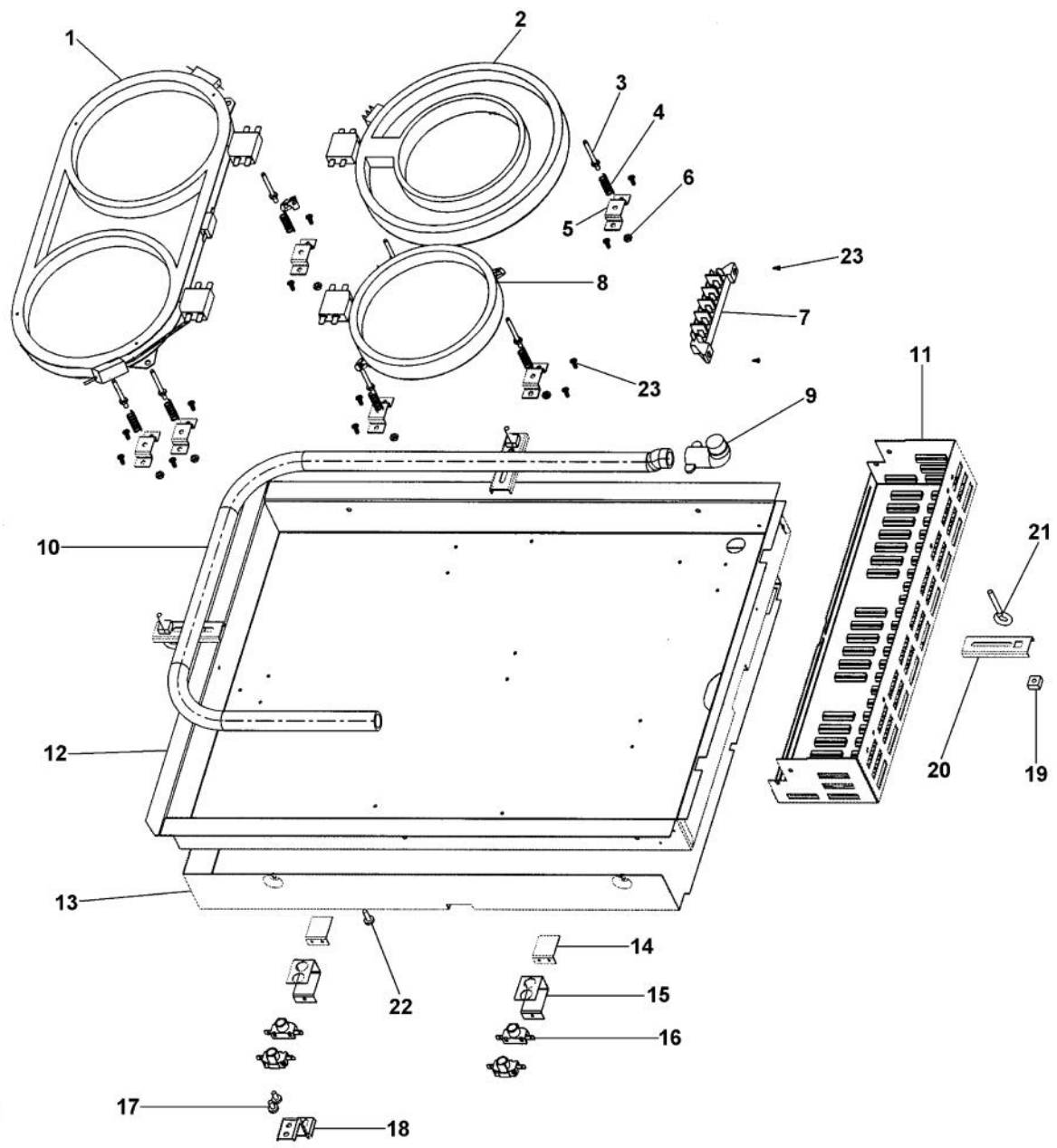


Ref #	Part Number	Qty.	Description
1	PA010174		COOKTOP KNOB BLACK
	PA010175		COOKTOP KNOB (WHITE)
	036415-000		KNOB, BODY VGSU CR3
2	PD020076		6-32 X 3/8 PHILL PAN MS
3	PA010179		VESC KNOB MOUNT CORE
4	PB010263		UPPER BEZEL
	PB010263PVD		UPPER BEZEL BRASS (BLACK)
5	PE010191		2 1/2 VIKING LOGO BLACK/CHROME
	PE010192		2 1/2 VIKING LOGO BLACK/BRASS
	PE010193		2 1/2 VIKING LOGO WHITE/CHROME
	PE010194		2 1/2 VIKING LOGO WHITE/BRASS
6	PE040254		VECU 30 CONTROL PANEL INLAY
	PE040268		VECU 30 CONTROL PANEL INLAY WHITE GRAPHICS
7	PE040253		VECU 30 CONTROL PANEL
8	PB010262		LOWER BEZEL
9	G50013539		PJ030028 INFINITE SWITCH SERVICE KIT
10	PJ030019		INFINITE SWITCH
11	PD030006		CAPPED WASHER PAL NUT
12	PE050079		LENS OPENING
13	PE050080		JEMCO LENS
14	G50012146BK		30 VECU TOP ASSY XBKX
	G50012146WH		30 VECU TOP ASSY XWHX



Ref #	Part Number	Qty.	Description
1	PJ020004		ELEMENT-(2)1800 X 800
2	PJ020005		2500 ELEMENT
3	PD010048		BURNER GUIDE ASSEMBLY DESU
4	PC010006		GUIDE SPRING DESU
5	A2005055		BOTTOM ELEMENT BRACKET (VESU)
6	PD040056		ELEMENT STUD NUT
7	PE070231		TERMINAL BLOCK - 6 POLE (HEYCO)
8	PJ020003		ELEMENT
9	PB040070		CONDUIT FITTING (90 DEG)
10	PB020071		CONDUIT - FLEXIBLE (48)
11	A2005056		CONTROL PANEL BOX
12	A3005053		BURNER BOX 30 (VESU100)
13	A2005067		REAR COVER 30
14	A2005062		LIGHT SUPPORT
15	A2005061		LIGHT COVER
16	PE050077		INDICATOR LIGHT
17	PD020002		10 X 1/2 PH.TR.HD.SMS.
18	A2105068		MOUNTING BRACKET
19	PD030029		SELF RETAINING NUT (1/4-20)
20	A2003053		RET.BRKT VGSU101 REPL PG210006
21	PD010027		EYE BOLT-VGSU101/161
22	PD020014		10X3/4 PH TR HD SMS
23	PD020014		10X3/4 PH TR HD SMS
NI	PE070477		WIRE HARNESS - 30
NI	G4005073		BLACK SUPPLY WIRE ASSY
NI	G4003016		GREEN - SUPPLY WIRE
NI	G4005072		RED SUPPLY WIRE ASSY