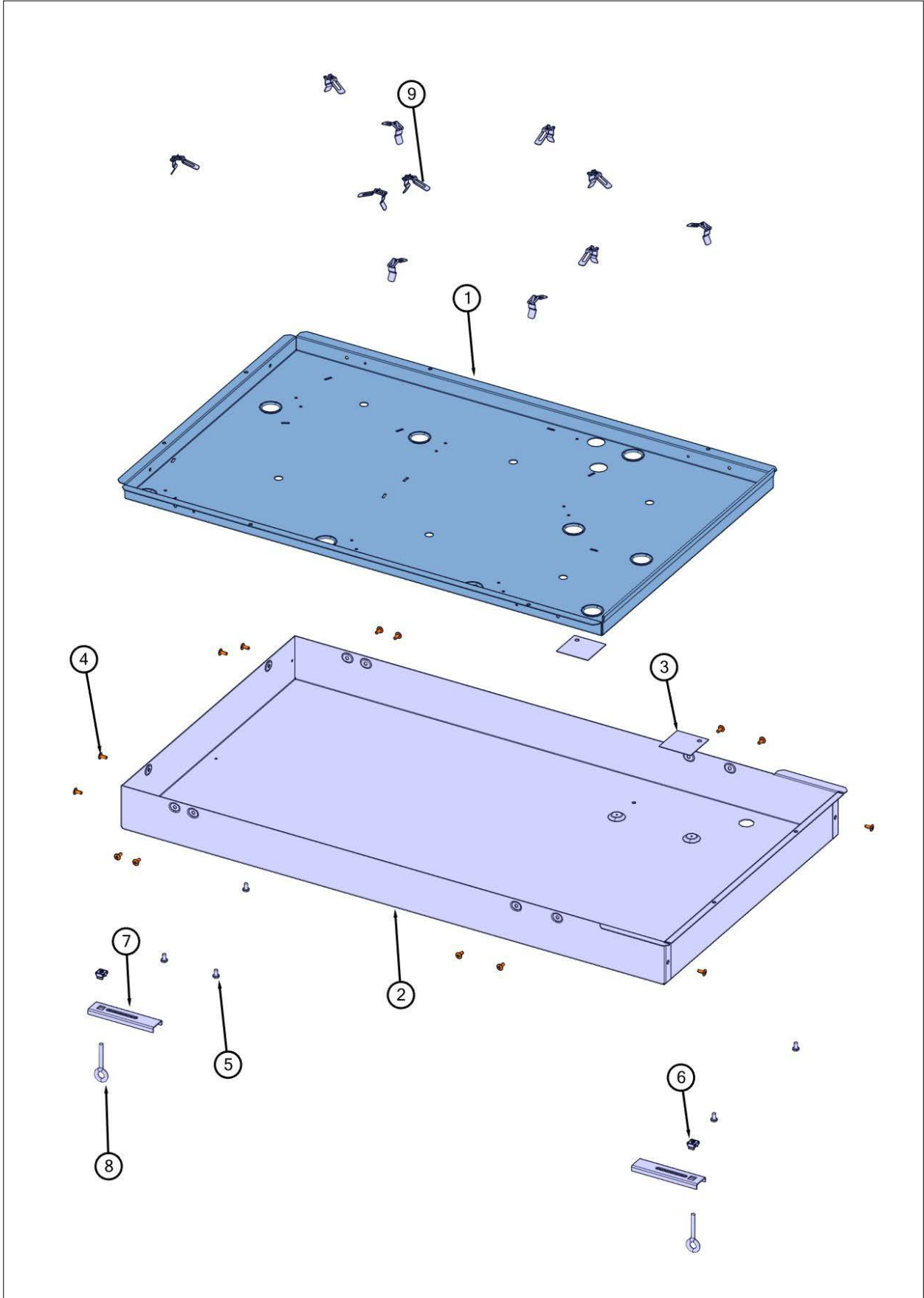


VECU53616BSB

Burner Box View	1
Electrical View	2
Top View	3
Wiring View	4
Wiring Diagram View	5
FR Wiring Diagram View	6
Appendix A:Pages Index	A
Appendix B:Parts Index	B

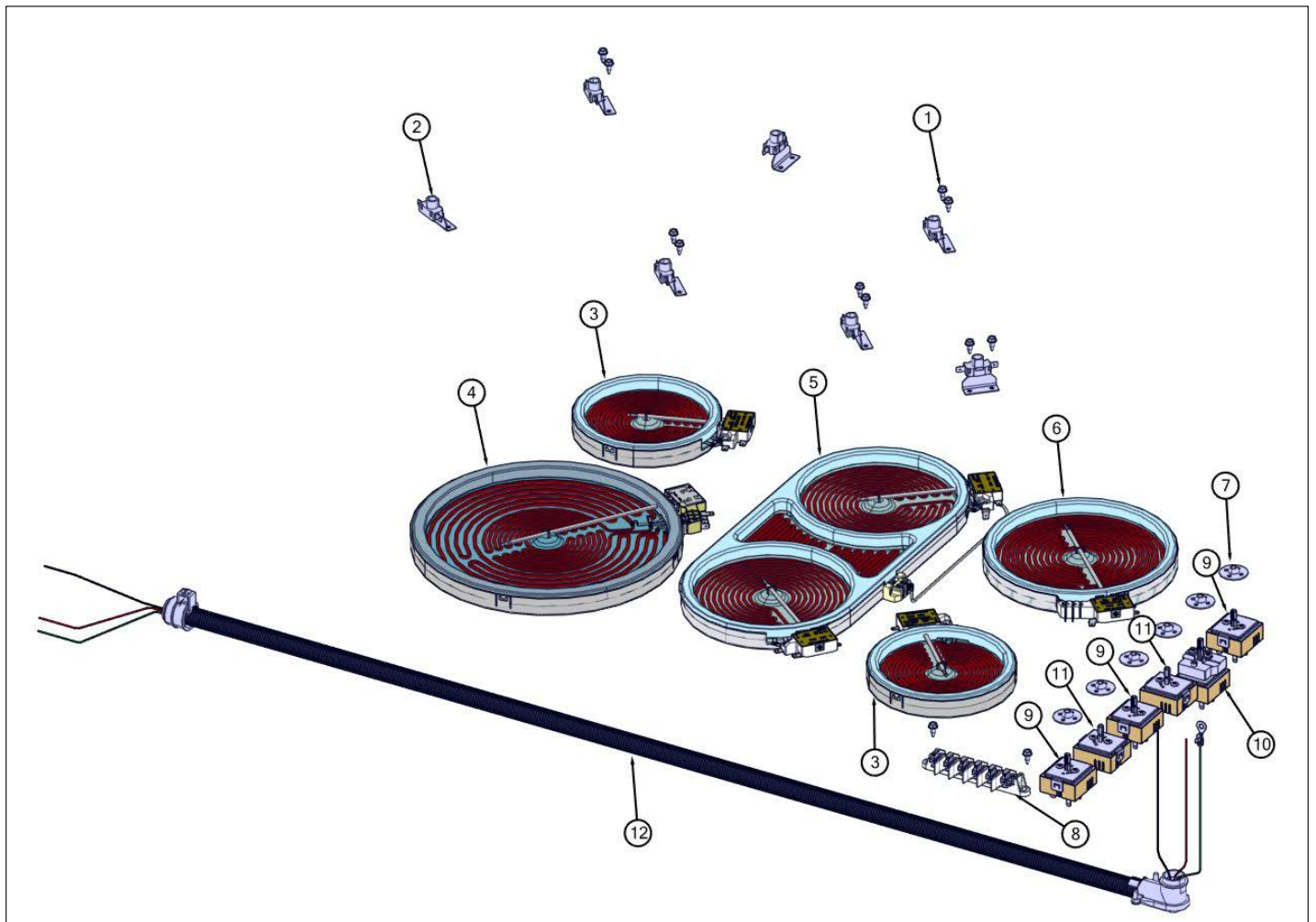
Burner Box View





Item	Part No.	Name	Qty	Uom	NOTES
1	040063-000	BOX, ELEMENT, MTG, 36"	1	EA	
2	040064-000	BOX, BURNER, 36"	1	EA	
3	036559-000	INSULATION, ELEC	2	EA	
4	008863-000	SCREW NO.8 - 18 X 3/8, PHIL, LOW PROFILE TRUSS	8	EA	
5	PD020004	10X3/8PH.HD.TYPE 25 REPL PD040125	2	EA	
6	PD030029	SELF RETAINING NUT (1/4-20)	6	EA	
7	038618-000	BRACKET, HOLD	6	EA	
8	PD010027	EYE BOLT-VGSU101/161	6	EA	
9	026923-000	CLIP, SPRING, ELECTRIC ELEMENT	11	EA	

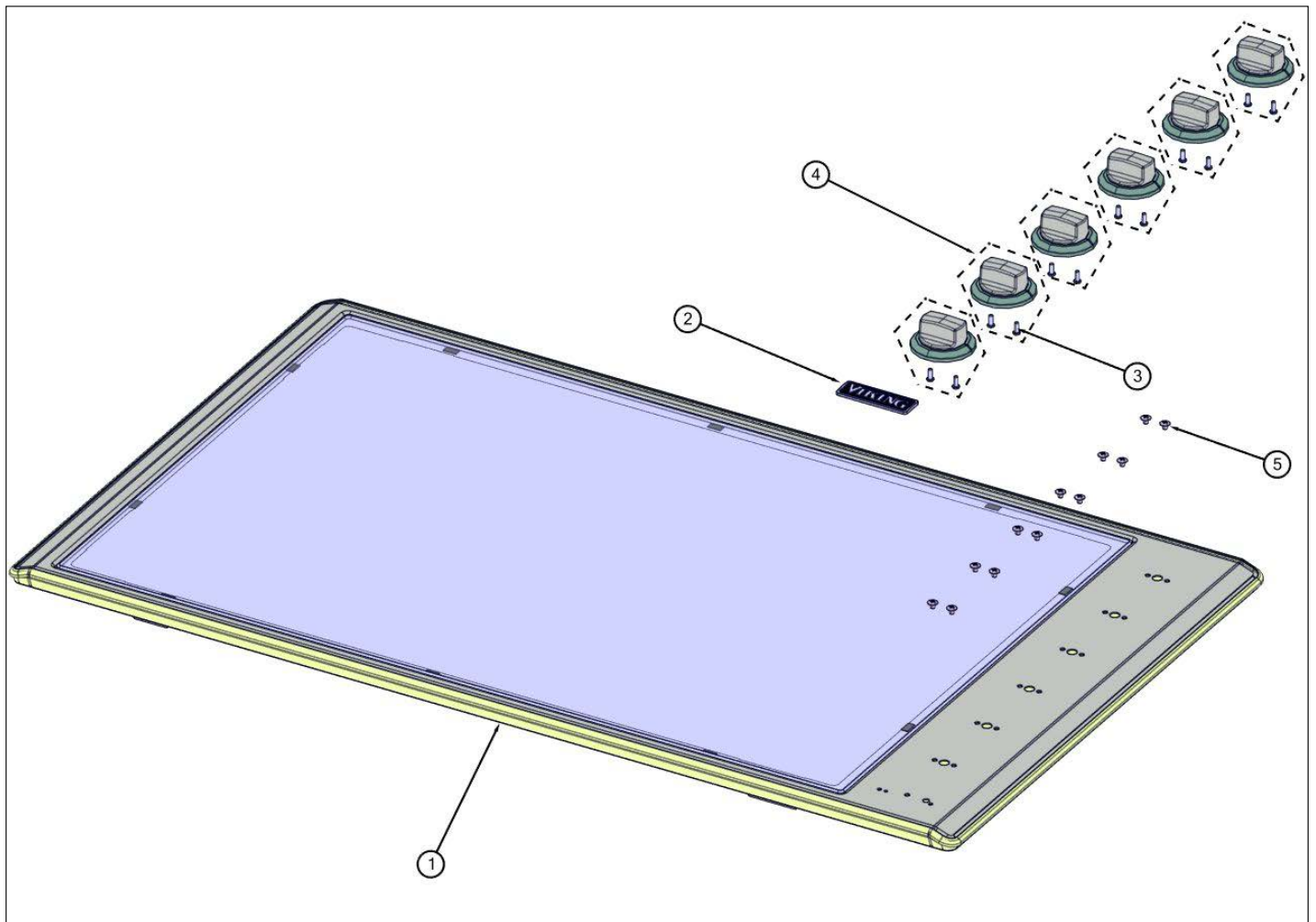
Electrical View





Item	Part No.	Name	Qty	Uom	NOTES
1	003860-000	10-18 x .500 FASTNR,SCR,HXWH,STL,ZPLT	16	EA	
2	042092-000	LIGHT, IND, ASM	7	EA	
3	031377-000	SINGLE 1200W ELEMENT	2	EA	
4	031373-000	TRIPLE 3200W (1100/1000/1100) ELEMENT	1	EA	
5	040617-000	ELEMENT, BRIDGE	1	EA	
6	031376-000	DOUBLE 2000W (1000/1000) ELEMENT	1	EA	
7	PB070078	SILICONE GASKET (DESU)	6	EA	
8	054135-000	BLOCK, TERMINAL, 6-POLE (Heyco # 9454)	1	EA	
9	031728-000	SINGLE INFINITE SWITCH	3	EA	
10	031734-000	TRIPLE INFINITE SWITCH	1	EA	
11	031733-000	DUAL INFINITE SWITCH	2	EA	
12	040189-000	HARNESS, CNDT, IND	1	EA	

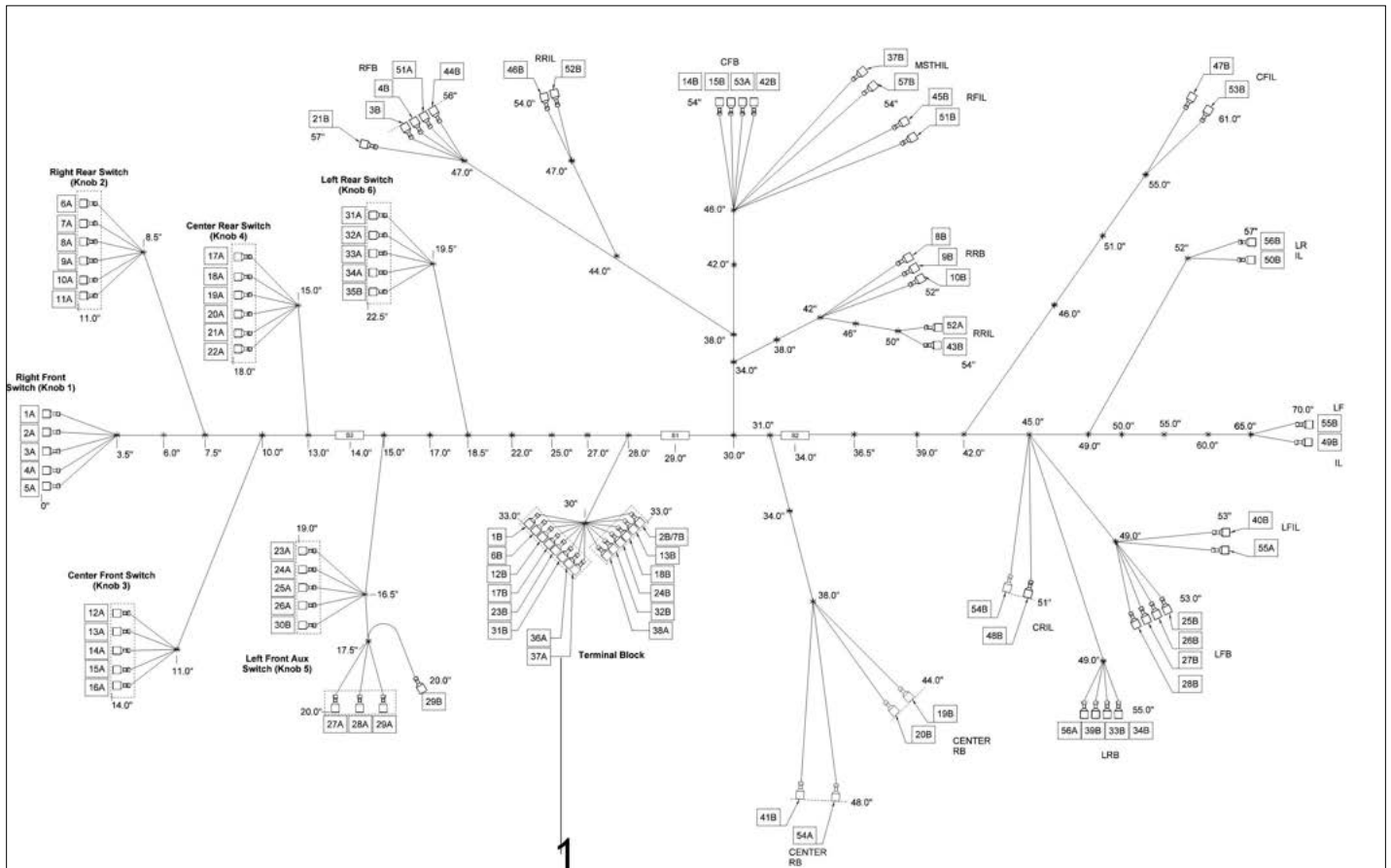
Top View





Item	Part No.	Name	Qty	Uom	NOTES
1	067014-2745	TOP ASM, VECU53616BSB W/GRAPHICS	1	EA	
2	065859-000	NAMEPLATE, VIKING, ADHESIVE W/PINS, 2.750"	1	EA	
3	PD020076	6-32 X 3/8" PHILL PAN MS	2	EA	
4	066271-000	KNOB, CKTP, ELEC BLACK CHROME	4	EA	
5	PD020167	8-32 X 3-16 PH PAN HEAD	12	EA	Not available online / Call for pricing and availability

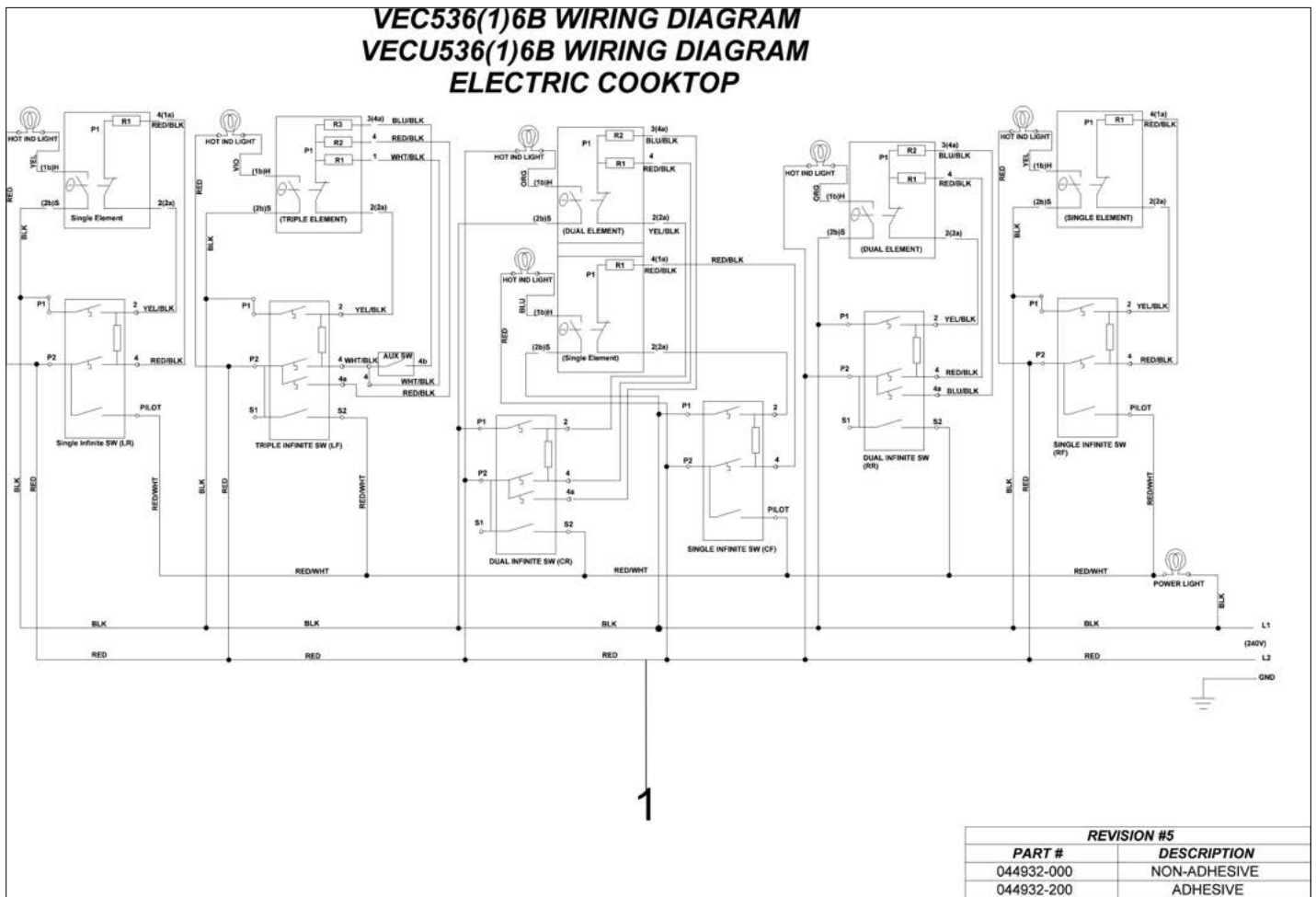
Wiring View





Item	Part No.	Name	Qty	Uom	NOTES
1	042805-000	WIRE HARNESS, ELEC, COOKTOP, 36", 5 SERIES	1	EA	

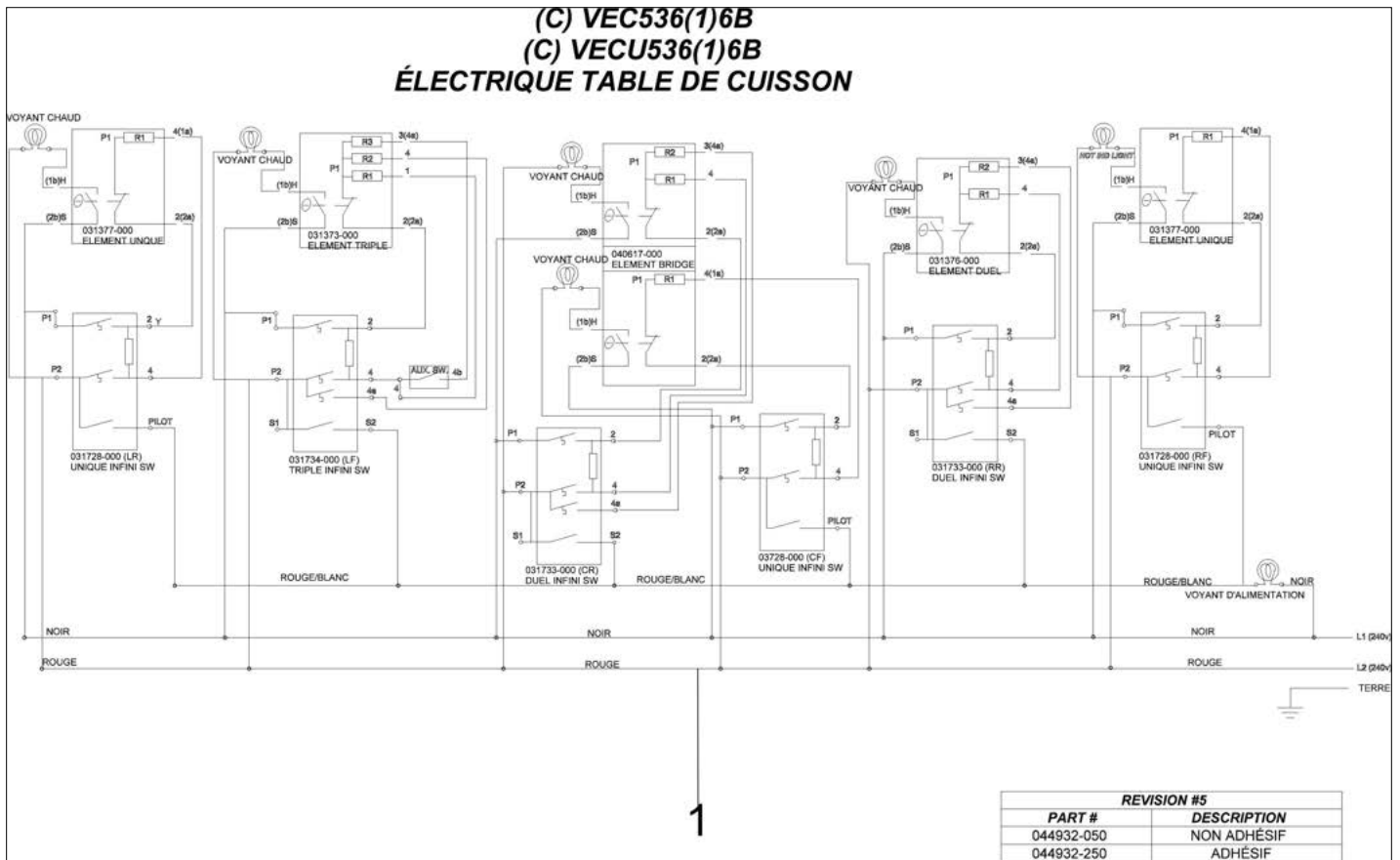
Wiring Diagram View





Item	Part No.	Name	Qty	Uom	NOTES
1	044932-200	DIAG, W, VEC5366B, ADH	1	EA	

FR Wiring Diagram View





Item	Part No.	Name	Qty	Uom	NOTES
1	044932-250	DIAG, W, VEC5366B, FR, ADH	1	EA	



Appendix A:Pages Index

Burner Box View 1
Electrical View 2
FR Wiring Diagram View 6
Top View 3
Wiring Diagram View 5
Wiring View 4



Appendix B:Parts Index

003860-000	2
008863-000	1
026923-000	1
031373-000	2
031376-000	2
031377-000	2
031728-000	2
031733-000	2
031734-000	2
036559-000	1
038618-000	1
040063-000	1
040064-000	1
040189-000	2
040617-000	2
042092-000	2
042805-000	4
044932-200	5
044932-250	6
054135-000	2
065859-000	3
066271-000	3
067014-2745	3
PB070078	2
PD010027	1
PD020004	1
PD020076	3
PD020167	3
PD030029	1