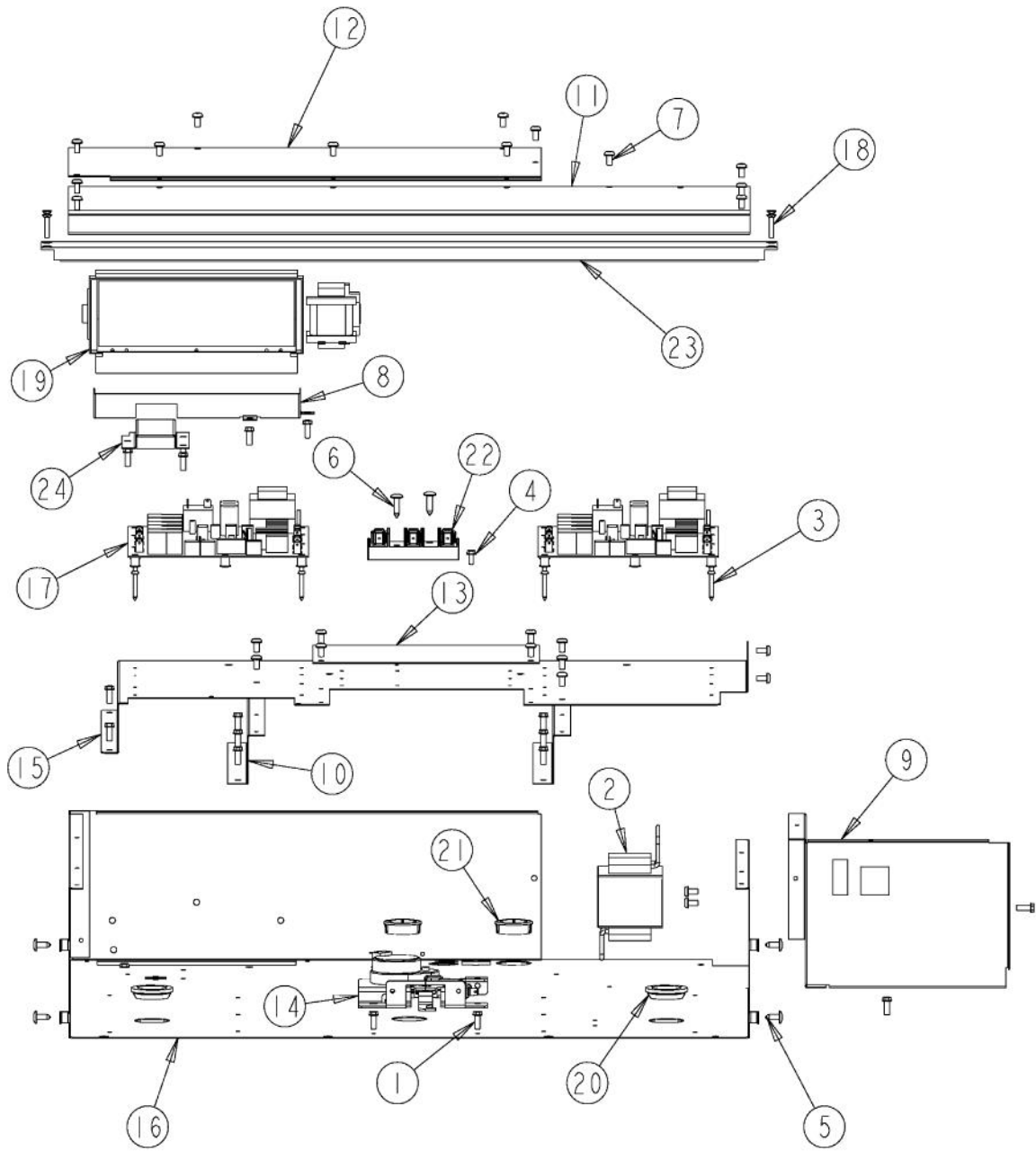
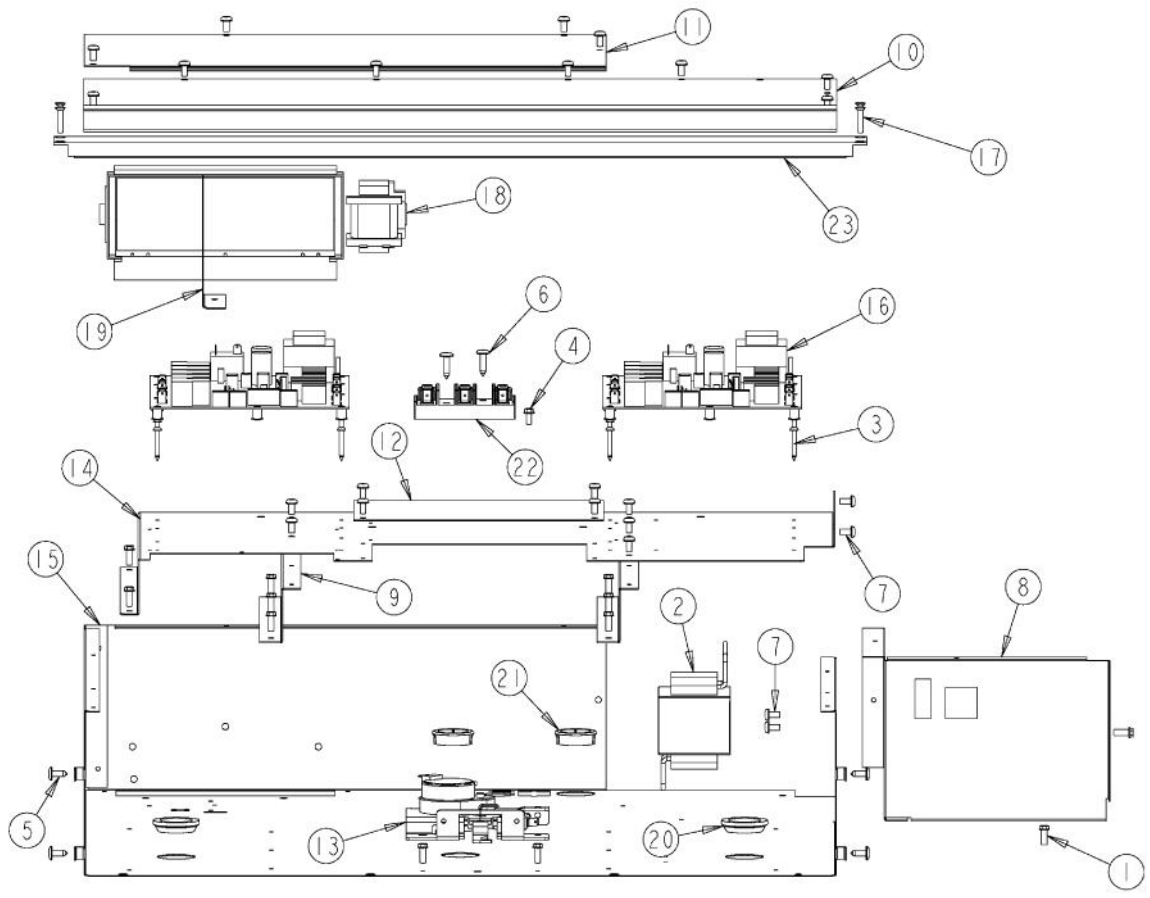


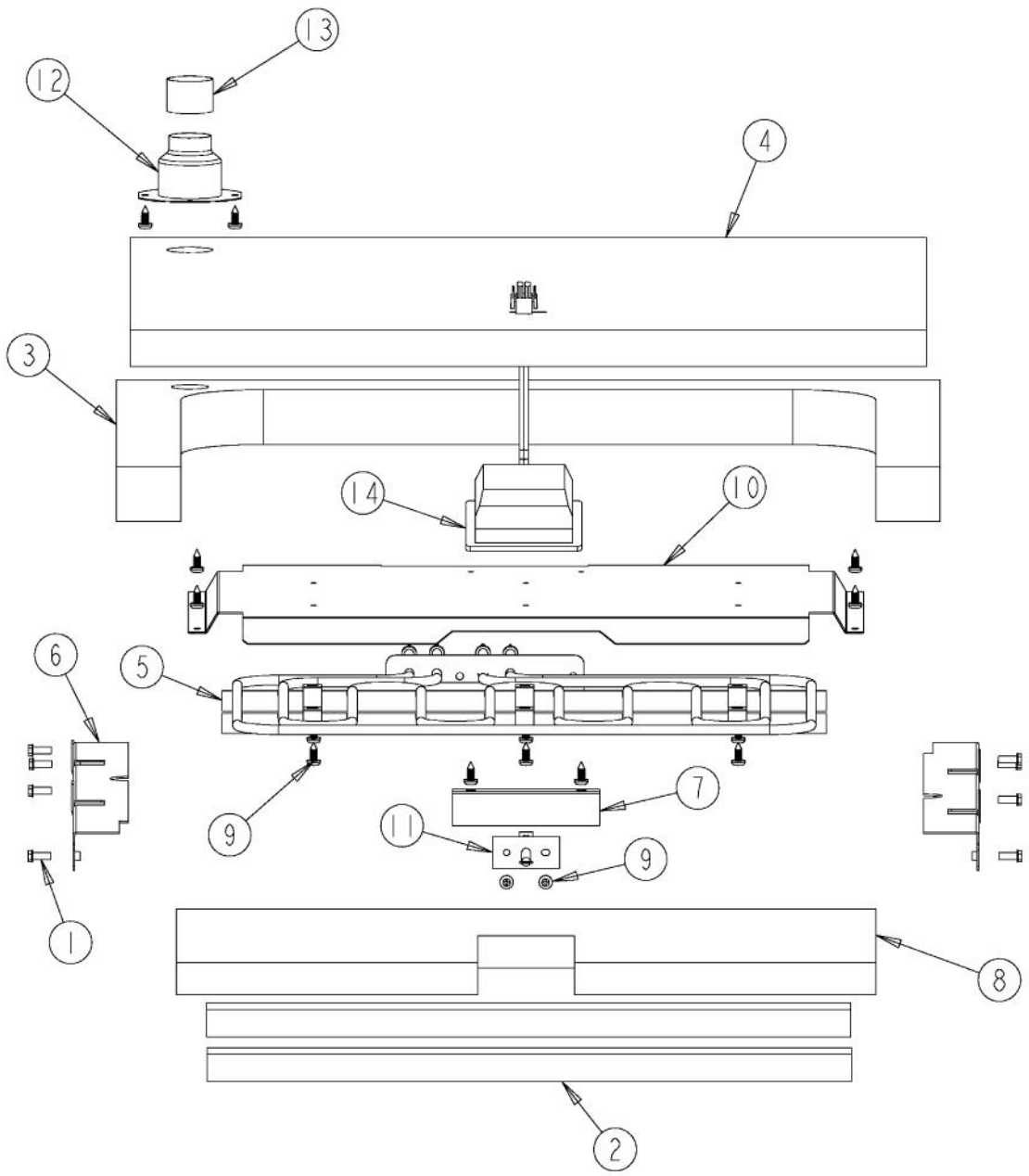
Ref #	Part Number	Qty.	Description
1	A20014063		CLOCK BRACKET (AFTER 06/12/06 C-0160)
2	B92014066		27 DOUBLE PROF. CONTROL PNL. (AFTER 06/12/06 C-0160)
2	C920140663BK		CONTROL PANEL - BK (AFTER 06/12/06 C-0160)
2	C92014066WH		27 DOUBLE PROF. CONTROL PNL. XWHX (AFTER 06/12/06 C-0160)
3	PD020261		NO.8-32X1/2 PH PANHEAD MACH. SCREW
4	PE050208		DOOR SWITCH
5	PE050247		EBM FAN MOTOR CAPACITOR
6	G50015481		PRO HI-LIMIT SERVICE KIT (BEFORE 07-17-06)
NI	PJ030043	1	BI-METAL THERMOSTAT (N.C.) 180 DEGREES (BEFORE 7/27/10) 72710C00028933
7	A10014028		2 CAPACITOR BRACKET
8	PD020060		10 X 1/2 (5/16)HEX WSHR HD.(T)A
9	PD020004		10X3/8PH.HD.TYPE 25 REPL PD040125
10	PE050214	1	CLOCK (DIGITAL 230V 50/60HZ) (BEFORE 7/27/10) 72710C00028933
NI	020619-000	1	DISPLAY,CLCK,TOD3 (ON OR AFTER 7/27/10) 72710C00028933
11	A20014061		27 CONTROL MTG PANEL (AFTER 06/12/06 C-0160)
12	PD040164		5/16 INTERNAL TOOTH LOCK WASHER TYPE A
13	PB010306		PROF. CLOCK BUTTON
13	PB010310		PROF. CLOCK BUTTON XWHX
14	A20012649		DOOR SWITCH BRACKET
15	PB010307		PROF. CLOCK KNOB
15	PB010311		PROF. CLOCK KNOB XWHX
16	PD040004		GROMMET BUMPER
17	PE050072		LENS OPENING (250 VOLT) (BEFORE 7/27/10) 72710C00028933
NI	021336-000	4	INDICATOR, LT, RED, CHROME BEZEL, LED ON OR AFTER 7/28/10 (072810C00028948)
18	C90014073BK		27 INLET GRILL
19	PE050023		OVEN IND. LIGHT (LENS & BEZEL) (BEFORE 7/27/10) 72710C00028933
NI	021336-000	4	INDICATOR, LT, RED, CHROME BEZEL, LED ON OR AFTER 7/28/10 (072810C00028948)
20	G40015469		LIGHT SWITCH ASSEMBLY
21	PB010308		PROF. OVEN LIGHT BUTTON
21	PB010312		PROF. OVEN LIGHT BUTTON XWHX
22	PD030172		M8 X 1.25MM NUT
23	PB010305		PROF. SELECTOR/THERMOSTAT KNOB
23	PB010309		PROF. SELECTOR/THERMOSTAT KNOB XWHX
24	PB010304		KNOB BEZEL
24	PB010304PVD		RESTYLE KNOB BEZEL, BR
25	PD020013		TYPE AB NO.6 X 3/8 PH PAN HD. SMS
26	PJ030034		SELECTOR (6 POS)
27	PJ030033		SELECTOR (10 POS)
28	PJ030035		THERMOSTAT



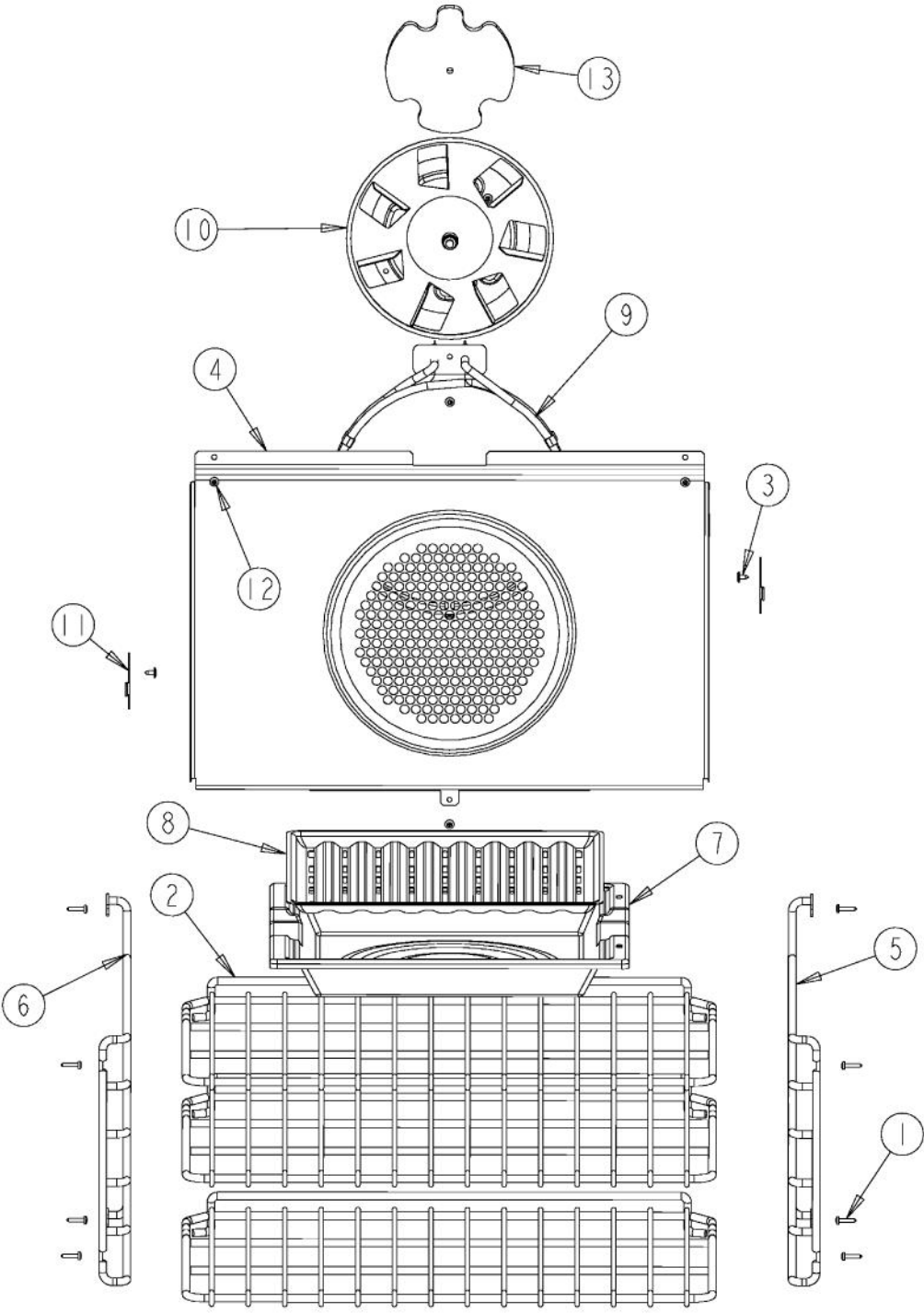
Ref #	Part Number	Qty.	Description
1	PD020060		10 X 1/2 (5/16)HEX WSHER HD.(T)A
2	PE070634		HALOGEN LIGHT TRANSFORMER
3	PD020185		NO.6 X 1 PAN HEAD SCREW
4	PD020010		10 X 3/8 GREEN GROUNDING SCREW
5	PD020002		10 X 1/2 PH.TR.HD.SMS.
6	PD020014		10X3/4 PH TR HD SMS
7	PD020004		10X3/8PH.HD.TYPE 25 REPL PD040125
8	A20014035		27 BLOWER BRACKET
9	A20010934		BRACKET, MODULE PAN
10	A20010910		BRACKET, SUPPORT, ELECTRONICS HAT
11	A20014046		27 FRONT COVER
12	A20014047		27 REAR COVER
13	A10010911		COVER, LATCH
14	PE050210		DOOR LATCH
15	A20010935	1	ELECTRONICS HAT (BEFORE 7/27/10) 72710C00028933
15	024413-000	1	27 MTG PANEL, CONTROL (ON OR AFTER 7/27/10) 72710C00028933
16	A20010933		MODULE PAN 27
17	000621-000	1	SUB TO 002406-000 - CONTROL BOARD (BEFORE 7/27/10) 72710C00028933
17	014000-000	1	EOC4-CONTROL BOARD (ON OR AFTER 7/27/10) 72710C00028933
NI	015201-000	1	LINEAR POWER SUPPLY (ON OR AFTER 7/27/10) 72710C00028933
18	PD020170		NO.6-32 X 1/2 PHILLIPS C.S. TYPE F SCREW
19	PE050228		PREMIUM BLOWER
20	PB070079		SILICONE EXTRUSION (DGSU)
21	PD040152		SNAP BUSHING
22	PE070147		TERMINAL BLOCK
23	PE040271		27 PROF. TOP TRIM
24	A20014033		UPPER VENT COVER



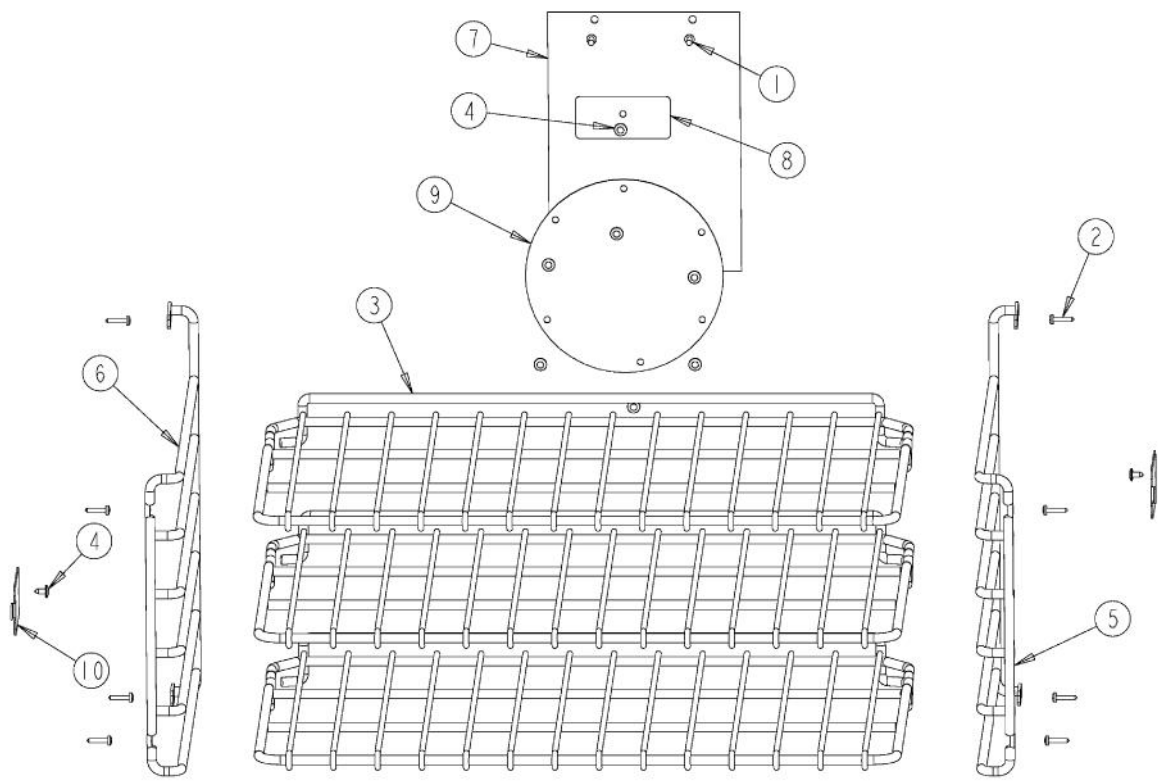
Ref #	Part Number	Qty.	Description
1	PD020060		10 X 1/2 (5/16)HEX WSHER HD.(T)A
2	PE070634		HALOGEN LIGHT TRANSFORMER (USED ONLY ON UNITS BEFORE SERIAL NO. C-0396)
3	PD020185		NO.6 X 1 PAN HEAD SCREW
4	PD020010		10 X 3/8 GREEN GROUNDING SCREW
5	PD020002		10 X 1/2 PH.TR.HD.SMS.
6	PD020014		10X3/4 PH TR HD SMS
7	PD020004		10X3/8PH.HD.TYPE 25 REPL PD040125
8	A20010934		BRACKET, MODULE PAN
9	A20010910		BRACKET, SUPPORT, ELECTRONICS HAT
10	A20014046		27 FRONT COVER
11	A20014047		27 REAR COVER
12	A10010911		COVER, LATCH
13	PE050210		DOOR LATCH
14	A20010935		ELECTRONICS HAT (BEFORE 7/27/10) 72710C00028933
14	024413-000	1	27 MTG PANEL, CONTROL (ON OR AFTER 7/27/10) 72710C00028933
15	A20010933		MODULE PAN 27
16	000621-000	1	SUB TO 002406-000 - CONTROL BOARD (BEFORE 7/27/10) 72710C00028933
16	014000-000	1	EOC4-CONTROL BOARD (ON OR AFTER 7/27/10) 72710C00028933
NI	015201-000	1	LINEAR POWER SUPPLY (ON OR AFTER 7/27/10) 72710C00028933
17	PD020170		NO.6-32 X 1/2 PHILLIPS C.S. TYPE F SCREW
18	PE050228		PREMIUM BLOWER
19	A2009667		REAR AIR DIVIDER
20	PB070079		SILICONE EXTRUSION (DGSU)
21	PD040152		SNAP BUSHING
22	PE070147		TERMINAL BLOCK
23	PE040271		27 PROF. TOP TRIM



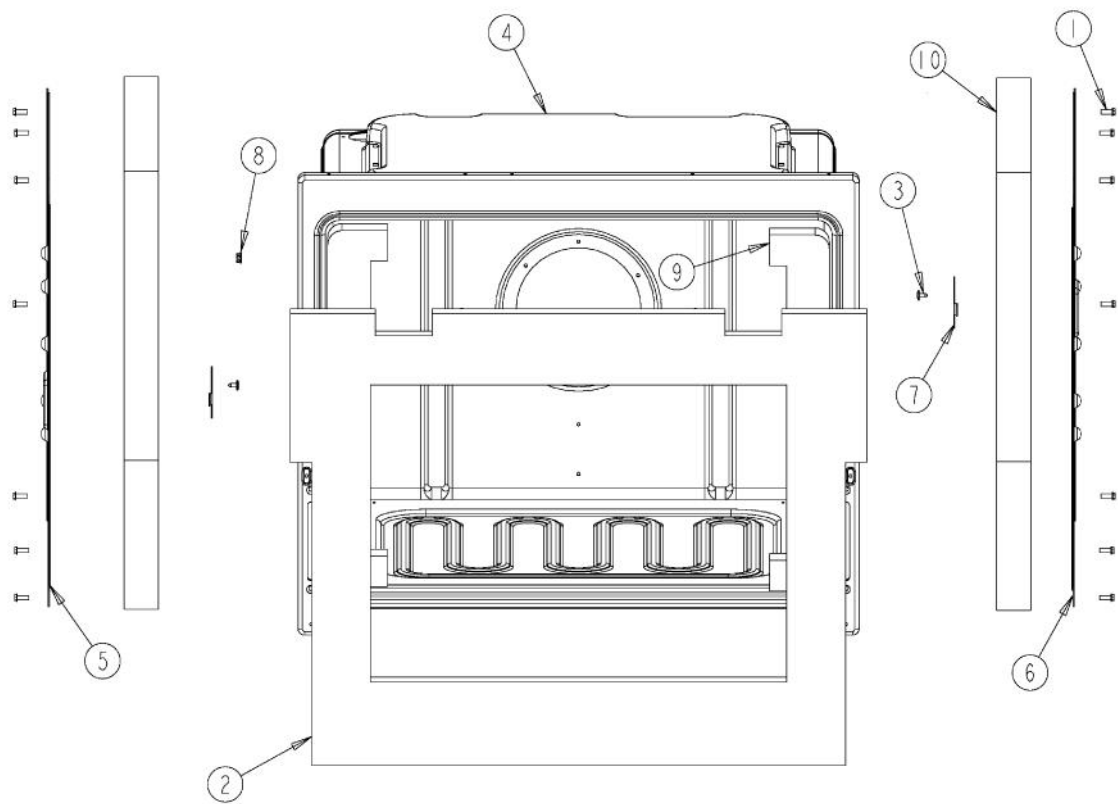
Ref #	Part Number	Qty.	Description
1	PD020060		10 X 1/2 (5/16)HEX WSHR HD.(T)A
2	PB070273		27 WINDOW PACK INSULATION
3	PB070306		27 TOP BROIL INSULATION
4	PB070307		27 TOP INSULATION
5	PJ010049		BROIL ELEMENT
6	A2009641		BRKT, TOP WRAPPER
7	A20014044		BROIL ELEMENT SHIELD
8	PB070337		LINER FRONT INSULATION
9	PD020055		NO.10 X 1/2 PAN PHIL. TEK. SS
10	A20014021		REFLECTOR, BROIL
11	PE050206		RTD THERMOSTAT PROBE
12	PM010014		SMOKE ELIMINATOR (VDSC)
13	PB020275		VENT TUBE
14	PE050205		TOP HALOGEN LIGHT (BEFORE C-0396)
14	PE050239		HALOGEN LAMP (AFTER C-0396)



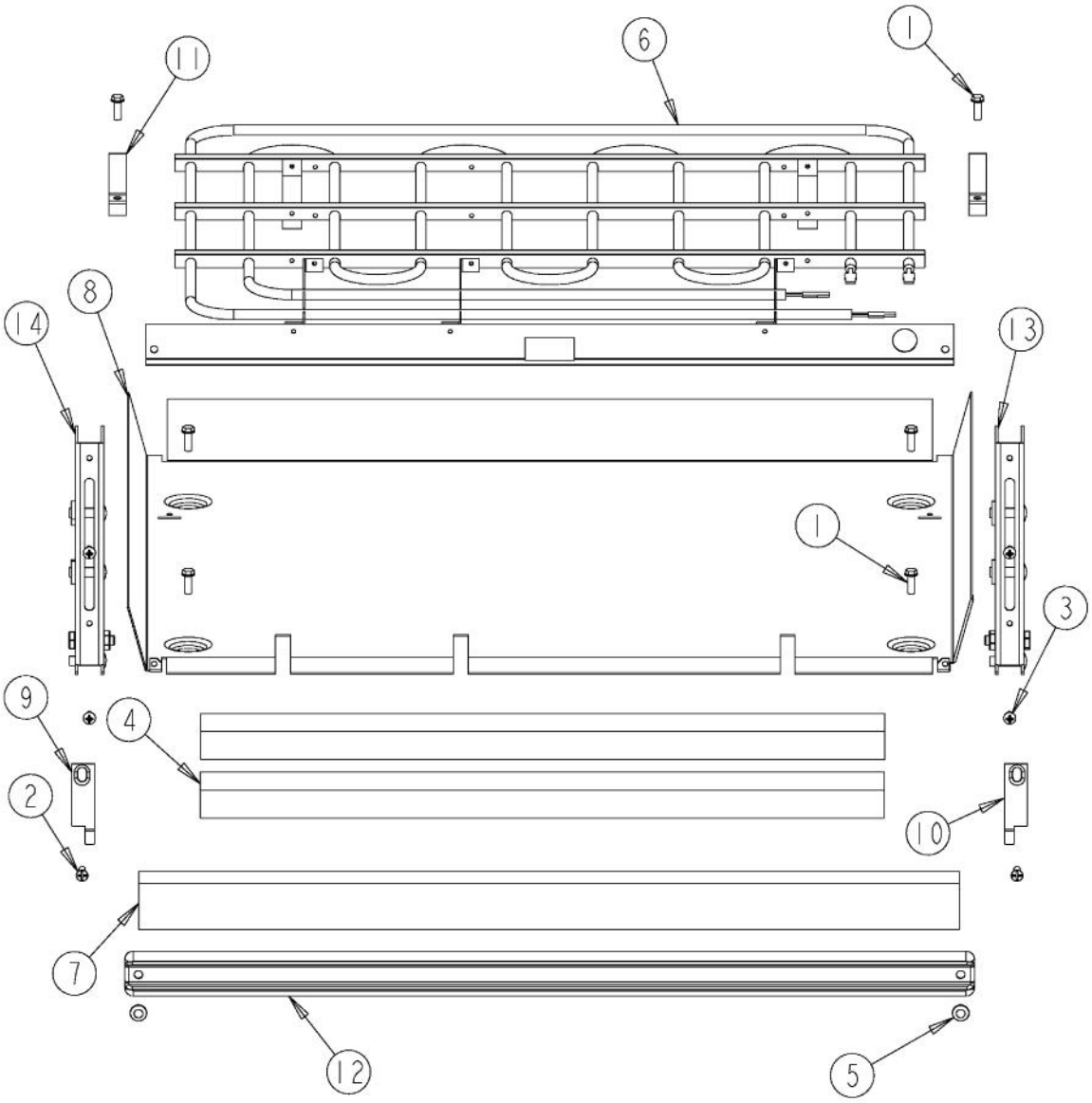
Ref #	Part Number	Qty.	Description
1	PD020232		NO.8 X 3/4 PH PAN HEAD TEK SCREW (BLACK OXIDE)
2	PB060105		27 OVEN RACK
3	PD020063		SCREW-NO.8(A) X 3/8PH WFR HD/BK OXID
4	G91013597		27 BAFFLE ASSEMBLY
5	PB060103		RACK SUPPORT RH
6	PB060104		RACK SUPPORT LH
7	E9107933		BROILER PAN
8	E9107934		BROILER PAN INSERT
9	PJ010047		CONVECTION ELEMENT
10	G32014020		CONVECTION FAN ASSY
11	E91012614		LIGHT HOLE COVER
12	PD020055		NO.10 X 1/2 PAN PHIL. TEK. SS
13	PB070312		CONVECTION MOTOR MTG. PLATE INSULATION



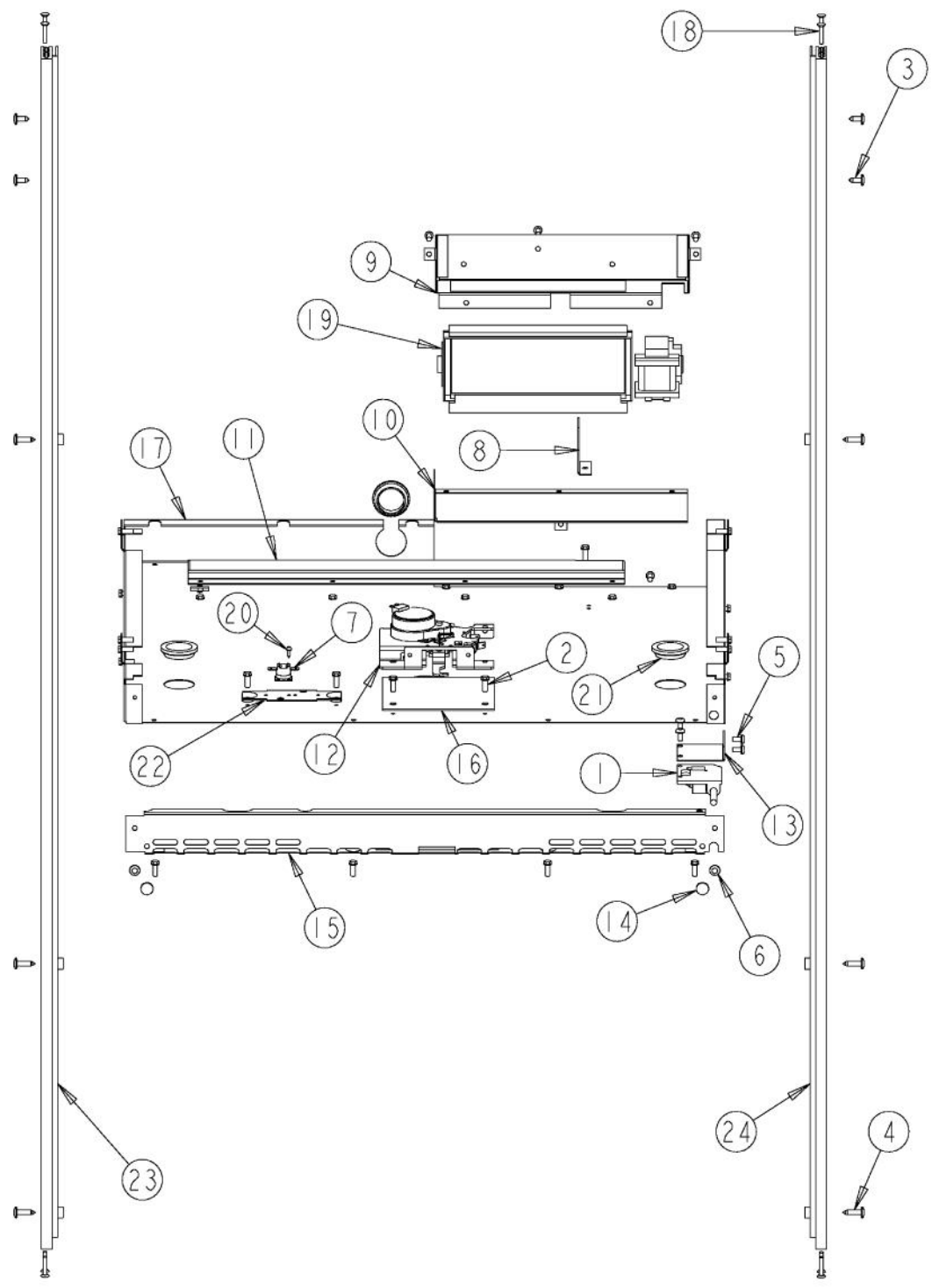
Ref #	Part Number	Qty.	Description
1	PD020060		10 X 1/2 (5/16)HEX WSHR HD.(T)A
2	PD020232		NO.8 X 3/4 PH PAN HEAD TEK SCREW (BLACK OXIDE)
3	PB060105		27 OVEN RACK
4	PD020063		SCREW-NO.8(A) X 3/8PH WFR HD/BK OXID
5	PB060103		RACK SUPPORT RH
6	PB060104		RACK SUPPORT LH
7	A10012648		BACK COVER
8	E91012616		CONV. ELEMENT HOLE COVER
9	E91012615		CONVECTION HOLE COVER
10	E91012614		LIGHT HOLE COVER



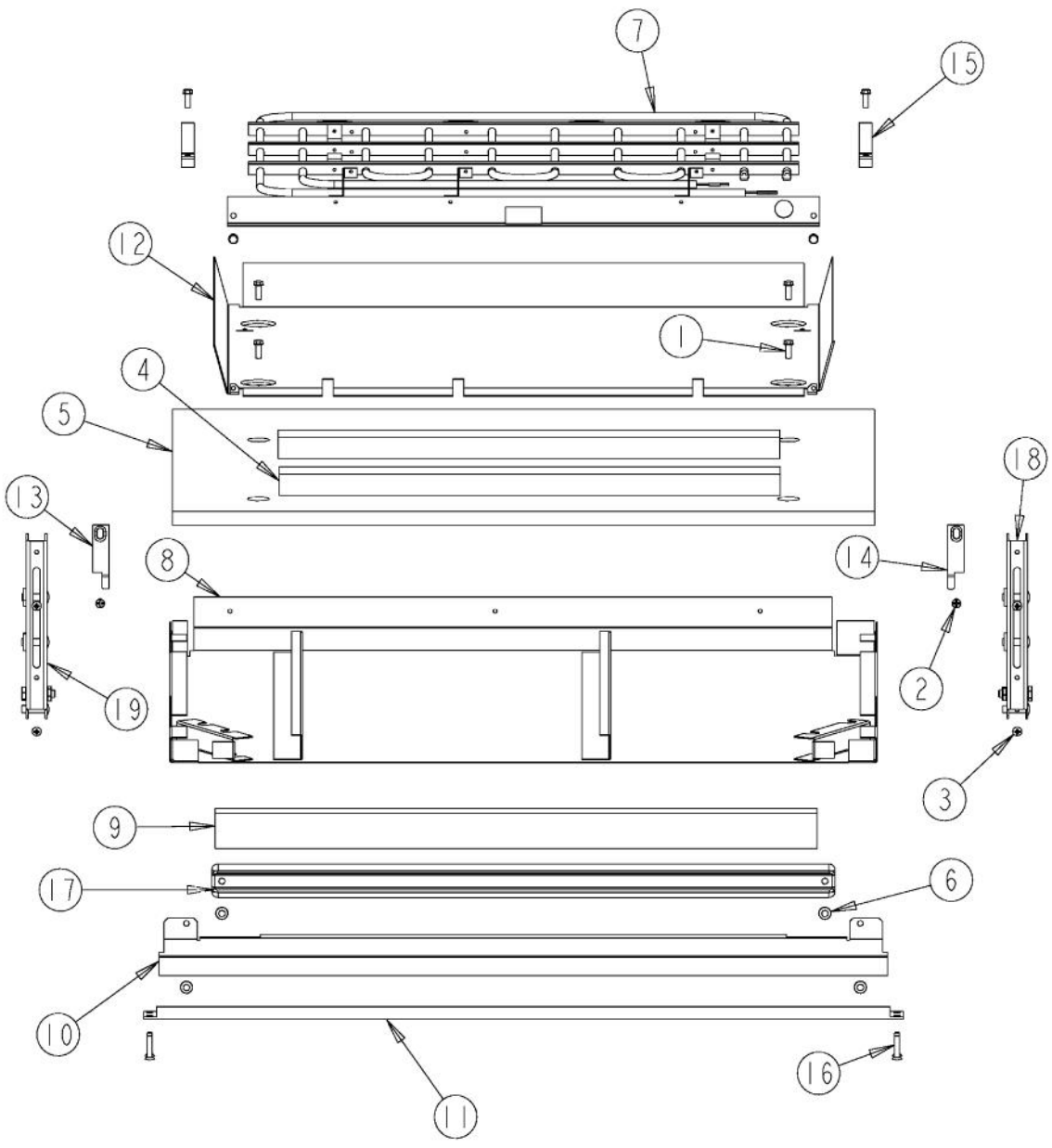
Ref #	Part Number	Qty.	Description
1	PD020060		10 X 1/2 (5/16)HEX WSHR HD.(T)A
2	PB070276		27 DOOR INSULATION
3	PD020063		SCREW-NO.8(A) X 3/8PH WFR HD/BK OXID
4	G91014042		27 PREMIERE CAVITY ASSY
5	A20012650		BRKT, TOP WRAPPER LEFT
6	A2009622		BRKT, TOP WRAPPER, RIGHT
7	E91012614		LIGHT HOLE COVER
8	E91014053		PORCELAIN 25/64 HOLE PLUG
9	PB070271		DOOR PLUG INSULATION
10	PB070302		SIDE INSULATION



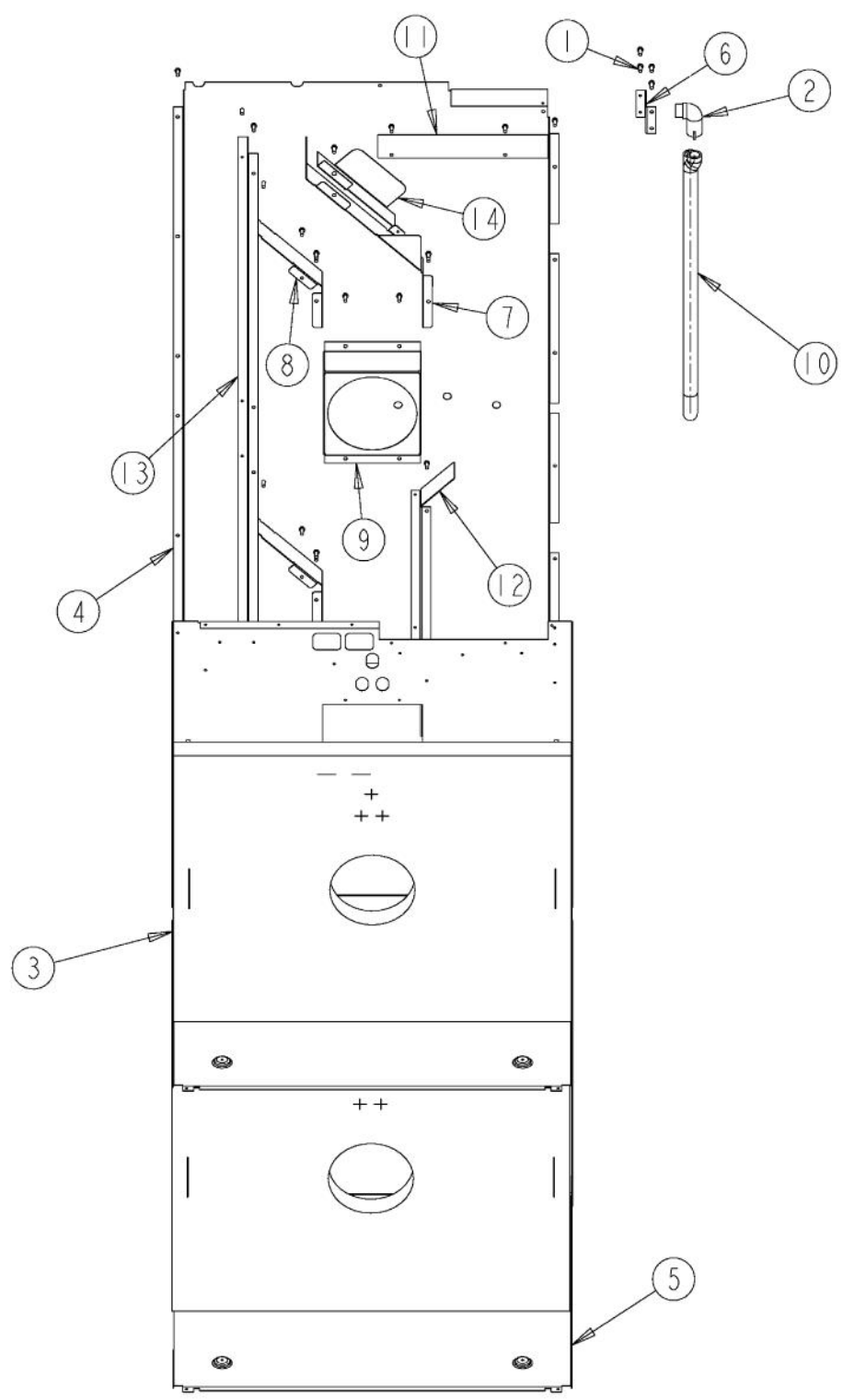
Ref #	Part Number	Qty.	Description
1	PD020060		10 X 1/2 (5/16)HEX WSHR HD.(T)A
2	PD020061		NO.8 X 3/4 FLAT HD TEK. SS.
3	PD020062		NO.8-32 X 3/8 PHMS TYPE 1
4	PB070273		27 WINDOW PACK INSULATION
5	PD020063		SCREW-NO.8(A) X 3/8PH WFR HD/BK OXID
6	PJ010048		BAKE ELEMENT
7	PB070309		BAKE ELEMENT INSULATION
8	A20010932		ELEMENT, MTG TRAY
9	B21010916		HINGE CLIP ? LH
10	B21010915		HINGE CLIP ? RH
11	A2009696		HOLDER, BAKE ELEMENT
12	E9109655		BAKE TRAY COVER
13	PC020221		HINGE POCKET RECEIVER MANSFIELD RH
14	PC020247		HINGE POCKET RECEIVER MANSFIELD LH



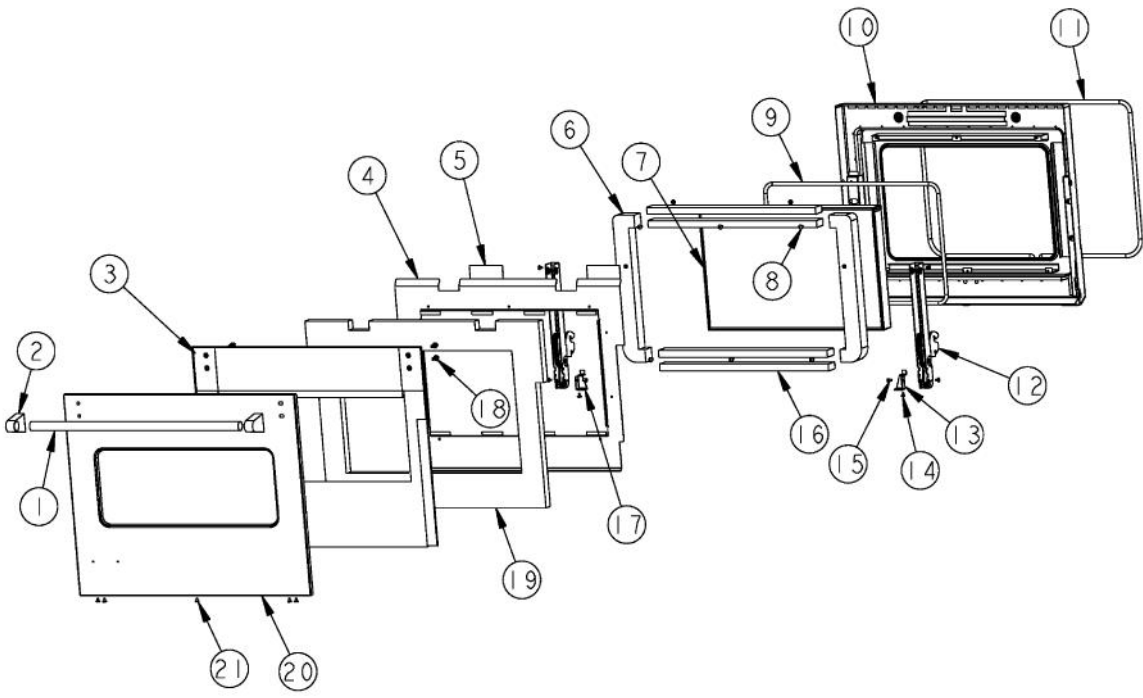
Ref #	Part Number	Qty.	Description
1	PE050208		DOOR SWITCH
2	PD020060		10 X 1/2 (5/16)HEX WSHR HD.(T)A
3	PD020002		10 X 1/2 PH.TR.HD.SMS.
4	PD020014		10X3/4 PH TR HD SMS
5	PD020004		10X3/8PH.HD.TYPE 25 REPL PD040125
6	PD020063		SCREW-NO.8(A) X 3/8PH WFR HD/BK OXID
7	PJ030039	1	BI-METAL THERMOSTAT 275 DEGREES (BEFORE 7/27/10) 72710C00028933
8	A20014036		BOTTOM BLOWER DIVIDER
9	A2009660		BRACKET, BLOWER, DBL LOWER OVEN
10	A2009659		BRACKET, FILLER, BLOWER
11	A20012808		CATALYST EXHAUST, MIDDLE MODULE
12	PE050210		DOOR LATCH
13	A20012649		DOOR SWITCH BRACKET
14	PD040004		GROMMET BUMPER
15	C90012803BK		INLET GRILL DBL LOWER OVEN 27
16	PB070321		LOWER LATCH INSULATION
17	A20012802		MODULE PAN 27
18	PD020170		NO.6-32 X 1/2 PHILLIPS C.S. TYPE F SCREW
19	PE050228		PREMIUM BLOWER
20	PD020013		TYPE AB NO.6 X 3/8 PH PAN HD. SMS
21	PB070079		SILICONE EXTRUSION (DGSU)
22	A1002456		THERMO-DISC BRKT (VDSC) (BEFORE 08/21/06)
NI	A20014089		DISC BRACKET (After 08/21/07)
23	PE040278		PROF. DOUBLE SIDE TRIM LH
24	PE040277		PROF. DOUBLE SIDE TRIM RH



Ref #	Part Number	Qty.	Description
1	PD020060		10 X 1/2 (5/16)HEX WSHER HD.(T)A
2	PD020061		NO.8 X 3/4 FLAT HD TEK. SS.
3	PD020062		NO.8-32 X 3/8 PHMS TYPE 1
4	PB070273		27 WINDOW PACK INSULATION
5	PB070300		27 BOTTOM INSULATION
6	PD020063		SCREW-NO.8(A) X 3/8PH WFR HD/BK OXID
7	PJ010048		BAKE ELEMENT
8	G30010922		BASE MODULE ASSY 27
9	PB070309		BAKE ELEMENT INSULATION
10	C90010956BK		BOTTOM AIR DEFLECTOR 27
11	PE040272		27 PROF. BOTTOM TRIM
12	A20010932		ELEMENT, MTG TRAY
13	B21010916		HINGE CLIP ? LH
14	B21010915		HINGE CLIP ? RH
15	A2009696		HOLDER, BAKE ELEMENT
16	PD020170		NO.6-32 X 1/2 PHILLIPS C.S. TYPE F SCREW
17	E9109655		BAKE TRAY COVER
18	PC020221		HINGE POCKET RECEIVER MANSFIELD RH
19	PC020247		HINGE POCKET RECEIVER MANSFIELD LH

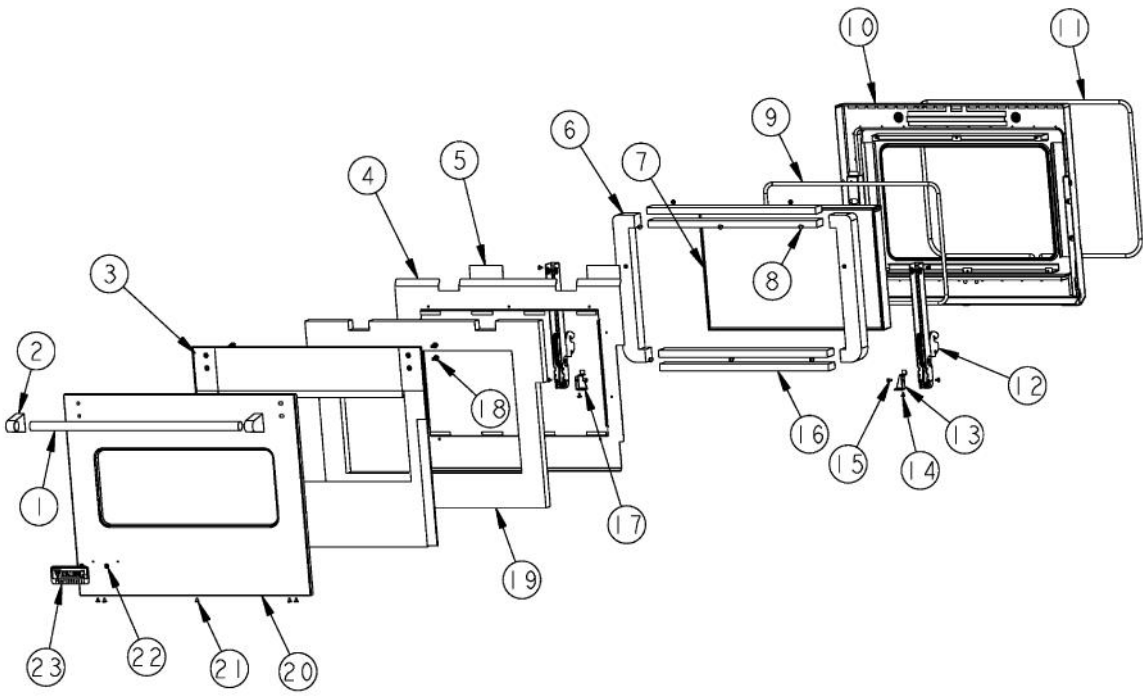


Ref #	Part Number	Qty.	Description
1	PD020060		10 X 1/2 (5/16)HEX WSHR HD.(T)A
2	PB040070		CONDUIT FITTING (90 DEG)
3	PB070301		27 BACK INSULATION
4	A20012807		PANEL, REAR
5	A20010931		BASE, BACK WRAPPER, 27
6	A2009671		BRACKET, POWER CABLE
7	A21010918		BRACKET, AIR, CONVECTION MOTOR
8	A21010919		BRACKET, AIR, CONVECTION MOTOR
9	A2009697		BRACKET, CONVECTION INSULATION
10	PB020071		CONDUIT - FLEXIBLE (48)
11	A10010907		COVER, BLOWER
12	A20012809		REAR AIR DIVIDER, DBL, LOWER OVEN
13	A2009684		REAR AIR DIVIDER, DOUBLE OVEN
14	A20014052		WIRE SHIELD



Ref #	Part Number	Qty.	Description
1	PE030178		27 PROF. DOOR HANDLE
1	PE030178PVD		27 PROF. DOOR HANDLE XPVDX
2	PE030001		BRACKET, DOOR, HANDLE
2	PE030001PVD		END CAP DOOR HANDLE XBR
3	001501-000		PRO 27` INSULATION RETAINER KIT (AFTER 7-17-06)
3	001503-000		PRO 27 INSULATION RETAINER (BEFORE 7/17/06)
4	A20010949		PANEL, INSULATION, INNNER DOOR
5	PB070336		DOOR BRACKET INSULATION
6	PB070271		DOOR PLUG INSULATION
7	PE060093		27 WINDOW PACK
8	PD020002		10 X 1/2 PH.TR.HD.SMS.
9	000594-000		BLACK FIBERGLASS ROPE 3/8
10	G91010942		DOOR LINER ASSEMBLY
11	PB070245		27 DOOR GASKET
12	023798-000	2	HINGE, MANSFIELD, WHITE
13	A20012640		HINGE SUPPORT RH
14	PD020063		SCREW-NO.8(A) X 3/8PH WFR HD/BK OXID
15	PD020004		10X3/8PH.HD.TYPE 25 REPL PD040125
16	PB070273		27 WINDOW PACK INSULATION
17	A20012641		HINGE SUPPORT LH
18	PD020186		1/4-20 X 3/4 HEX WASHER HEAD MS
19	PB070276		27 DOOR INSULATION
20	PS500016AL		27 PRO DOOR SKIN SVC KIT W/O LOGO AFTER 07/17/06 - AL
20	PS500016ALBR		27 PRO DOOR SKIN SVC KIT W/O LOGO AFTER 07/17/06 - AL...
20	PS500016BK		27 PRO DOOR SKIN SVC KIT W/O LOGO AFTER 07/17/06 - BK
20	PS500016BKBR		27 PRO DOOR SKIN SVC KIT W/O LOGO AFTER 07/17/06 - B...
20	PS500016BT		27 PRO DOOR SKIN SVC KIT W/O LOGO AFTER 07/17/06 -BT
20	PS500016BTBR		27 PRO DOOR SKIN SVC KIT W/O LOGO AFTER 07/17/06 - B...
20	PS500016BU		27 PRO DOOR SKIN SVC KIT W/O LOGO AFTER 07/17/06 -BU
20	PS500016BUBR		27 PRO DOOR SKIN SVC KIT W/O LOGO AFTER 07/17/06 - B...
20	PS500016CB		27 PRO DOOR SKIN SVC KIT W/O LOGO AFTER 07/17/06 - CB
20	PS500016CBBR		27 PRO DOOR SKIN SVC KIT W/O LOGO AFTER 07/17/06 - C...
20	PS500016EP		27 PRO DOOR SKIN SVC KIT W/O LOGO AFTER 07/17/06 - EP
20	PS500016EPBR		27 PRO DOOR SKIN SVC KIT W/O LOGO AFTER 07/17/06 - E...
20	PS500016FG		27 PRO DOOR SKIN SERVICE KIT W/O LOGO AFTER 07/17/0...
20	PS500016FGBR		27 PRO DOOR SKIN SERVICE KIT W/O LOGO AFTER 07/17/0...
20	PS500016GG		27 PRO DOOR SKIN SERVICE KIT W/O LOGO AFTER 07/17/0...
20	PS500016GGBR		27 PRO DOOR SKIN SERVICE KIT W/O LOGO AFTER 07/17/0...
20	PS500016LE		27 PRO DOOR SKIN SERVICE KIT W/O LOGO AFTER 07/17/0...
20	PS500016LEBR		27 PRO DOOR SKIN SERVICE KIT W/O LOGO AFTER 07/17/0...
20	PS500016MJ		27 PRO DOOR SKIN SERVICE KIT W/O LOGO AFTER 07/17/0...
20	PS500016MJBR		27 PRO DOOR SKIN SERVICE KIT W/O LOGO AFTER 07/17/0...
20	PS500016SG		27 PRO DOOR SKIN SERVICE KIT W/O LOGO AFTER 07/17/0...
20	PS500016SGBR		27 PRO DOOR SKIN SERVICE KIT W/O LOGO AFTER 07/17/0...
20	PS500016SS		27 PRO DOOR SKIN SERVICE KIT W/O LOGO AFTER 07/17/0...
20	PS500016SSBR		27 PRO DOOR SKIN SERVICE KIT W/O LOGO AFTER 07/17/0...
20	PS500016VB		27 PRO DOOR SKIN SERVICE KIT W/O LOGO AFTER 07/17/0...
20	PS500016VBBR		27 PRO DOOR SKIN SERVICE KIT W/O LOGO AFTER 07/17/0...
20	PS500016WH		27 PRO DOOR SKIN SERVICE KIT W/O LOGO AFTER 07/17/0...
20	PS500016WHBR		27 PRO DOOR SKIN SERVICE KIT W/O LOGO AFTER 07/17/0...
20	PS500020AL		27 PRO DOOR SKIN SERVICE KIT W/O LOGO BEFORE 07/17/...
20	PS500020ALBR		27 PRO DOOR SKIN SERVICE KIT W/O LOGO BEFORE 07/17/...
20	PS500020BK		27 PRO DOOR SKIN SERVICE KIT W/O LOGO BEFORE 07/17/...
20	PS500020BKBR		27 PRO DOOR SKIN SERVICE KIT W/O LOGO BEFORE 07/17/...
20	PS500020BT		27 PRO DOOR SKIN SERVICE KIT W/O LOGO BEFORE 07/17/...
20	PS500020BTBR		27 PRO DOOR SKIN SERVICE KIT W/O LOGO BEFORE 07/17/...
20	PS500020BU		27 PRO DOOR SKIN SERVICE KIT W/O LOGO BEFORE 07/17/...
20	PS500020BUBR		27 PRO DOOR SKIN SERVICE KIT W/O LOGO BEFORE 07/17/...
20	PS500020CB		27 PRO DOOR SKIN SERVICE KIT W/O LOGO BEFORE 07/17/...
20	PS500020CBBR		27 PRO DOOR SKIN SERVICE KIT W/O LOGO BEFORE 07/17/...

Ref #	Part Number	Qty.	Description
20	PS500020CBBR		27 PRO DOOR SKIN SERVICE KIT W/O LOGO BEFORE 07/17/...
20	PS500020EP		27 PRO DOOR SKIN SERVICE KIT W/O LOGO BEFORE 07/17/...
20	PS500020EPBR		27 PRO DOOR SKIN SERVICE KIT W/O LOGO BEFORE 07/17/...
20	PS500020FG		27 PRO DOOR SKIN SERVICE KIT W/O LOGO BEFORE 07/17/...
20	PS500020FGBR		27 PRO DOOR SKIN SERVICE KIT W/O LOGO BEFORE 07/17/...
20	PS500020GG		27 PRO DOOR SKIN SERVICE KIT W/O LOGO BEFORE 07/17/...
20	PS500020GGBR		27 PRO DOOR SKIN SERVICE KIT W/O LOGO BEFORE 07/17/...
20	PS500020LE		27 PRO DOOR SKIN SERVICE KIT W/O LOGO BEFORE 07/17/...
20	PS500020LEBR		27 PRO DOOR SKIN SERVICE KIT W/O LOGO BEFORE 07/17/...
20	PS500020MJ		27 PRO DOOR SKIN SERVICE KIT W/O LOGO BEFORE 07/17/...
20	PS500020MJBR		27 PRO DOOR SKIN SERVICE KIT W/O LOGO BEFORE 07/17/...
20	PS500020SG		27 PRO DOOR SKIN SERVICE KIT W/O LOGO BEFORE 07/17/...
20	PS500020SGBR		27 PRO DOOR SKIN SERVICE KIT W/O LOGO BEFORE 07/17/...
20	PS500020SS		27 PRO DOOR SKIN SERVICE KIT W/O LOGO BEFORE 07/17/...
20	PS500020SSBR		27 PRO DOOR SKIN SERVICE KIT W/O LOGO BEFORE 07/17/...
20	PS500020VB		27 PRO DOOR SKIN SERVICE KIT W/O LOGO BEFORE 07/17/...
20	PS500020VBBR		27 PRO DOOR SKIN SERVICE KIT W/O LOGO BEFORE 07/17/...
20	PS500020WH		27 PRO DOOR SKIN SERVICE KIT W/O LOGO BEFORE 07/17/...
20	PS500020WHBR		27 PRO DOOR SKIN SERVICE KIT W/O LOGO BEFORE 07/17/...
21	PD020032		SRW-8(A)X3/8PH.WFR HD 7/16DIA XNCL
NI	G32012720AL		27 DOOR ASSY W/O LOGO XALX
NI	G32012720ALBR		27 DOOR ASSY W/O LOGO XALBRX
NI	G32012720BK		27 DOOR ASSY W/O LOGO XBKX
NI	G32012270BKBR		COMPLETE DOOR ASSY. - BKBR
NI	G32012720BT		27 DOOR ASSY W/O LOGO XBTX
NI	G32012720BTBR		27 DOOR ASSY W/O LOGO XBTBRX
NI	G32012720BU		27 DOOR ASSY W/O LOGO XBUX
NI	G32012720BUBR		27 DOOR ASSY W/O LOGO XBUBRX
NI	G32012720CB		27 DOOR ASSY W/O LOGO XCBX
NI	G32012720CBBR		27 DOOR ASSY W/O LOGO XCBBRX
NI	G32012720EP		27 DOOR ASSY W/O LOGO XEPX
NI	G32012720EPBR		27 DOOR ASSY W/O LOGO XEPBRX
NI	G32012720FG		27 DOOR ASSY W/O LOGO XFGX
NI	G32012720FGBR		27 DOOR ASSY W/O LOGO XFGBRX
NI	G32012270GG		COMPLETE DOOR ASSY. - GG
NI	G32012720GGBR		27 DOOR ASSY W/O LOGO XGGBRX
NI	G32012720LE		27 DOOR ASSY W/O LOGO XLEX
NI	G32012720LEBR		27 DOOR ASSY W/O LOGO XLEBRX
NI	G32012720MJ		27 DOOR ASSY W/O LOGO XMJX
NI	G32012720MJBR		27 DOOR ASSY W/O LOGO XMJBRX
NI	G32012720SG		27 DOOR ASSY W/O LOGO XSGX
NI	G32012720SGBR		27 DOOR ASSY W/O LOGO XSGBRX
NI	G32012720SS		27 DOOR ASSY W/O LOGO
NI	G32012720SSBR		27 DOOR ASSY W/O LOGO XSSBRX
NI	G32012720VB		27 DOOR ASSY W/O LOGO XVBX
NI	G32012720VBBR		27 DOOR ASSY W/O LOGO XVBBRX
NI	G32012720WH		27 DOOR ASSY W/O LOGO XWHX
NI	G32012720WHBR		27 DOOR ASSY W/O LOGO XWHBRX
NI	017736-000		WINDOW PACK INSULATION KIT



Ref #	Part Number	Qty.	Description
1	PE030178		27 PROF. DOOR HANDLE
1	PE030178PVD		27 PROF. DOOR HANDLE XPVDX
2	PE030001		BRACKET, DOOR, HANDLE
2	PE030001PVD		END CAP DOOR HANDLE XBR
3	001501-000		PRO 27` INSULATION RETAINER KIT (AFTER 7-17-06) (AFTER 07-17-06)
NI	001503-000		PRO 27 INSULATION RETAINER (BEFORE 7/17/06) (BEFORE 07-17-06)
4	A20010949		PANEL, INSULATION, INNNER DOOR
5	PB070336		DOOR BRACKET INSULATION
6	PB070271		DOOR PLUG INSULATION
7	PE060093		27 WINDOW PACK
8	PD020002		10 X 1/2 PH.TR.HD.SMS.
9	000594-000		BLACK FIBERGLASS ROPE 3/8
10	G91010942		DOOR LINER ASSEMBLY
11	PB070245		27 DOOR GASKET
12	023798-000	2	HINGE, MANSFIELD, WHITE
13	A20012640		HINGE SUPPORT RH
14	PD020063		SCREW-NO.8(A) X 3/8PH WFR HD/BK OXID
15	PD020004		10X3/8PH.HD.TYPE 25 REPL PD040125
16	PB070273		27 WINDOW PACK INSULATION
17	A20012641		HINGE SUPPORT LH
18	PD020186		1/4-20 X 3/4 HEX WASHER HEAD MS
19	PB020276		TUBE DRAIN 3/8 X 46 AR 36 30
20	PS500014AL		27 PRO DOOR SKIN SERVICE KIT W/LOGO AFTER 07/17/06 -...
20	PS500014ALBR		27 PRO DOOR SKIN SERVICE KIT W/LOGO AFTER 07/17/06 -...
20	PS500014BK		27 PRO DOOR SKIN SERVICE KIT W/LOGO AFTER 07/17/06 -...
20	PS500014BKBR		27 PRO DOOR SKIN SERVICE KIT W/LOGO AFTER 07/17/06 -...
20	PS500014BT		27 PRO DOOR SKIN SERVICE KIT W/LOGO AFTER 07/17/06 -...
20	PS500014BTBR		27 PRO DOOR SKIN SERVICE KIT W/LOGO AFTER 07/17/06 -...
20	PS500014BU		27 PRO DOOR SKIN SERVICE KIT W/LOGO AFTER 07/17/06 -...
20	PS500014BUBR		27 PRO DOOR SKIN SERVICE KIT W/LOGO AFTER 07/17/06-...
20	PS500014CB		27 PRO DOOR SKIN SERVICE KIT W/LOGO AFTER 07/17/06 -...
20	PS500014CBBR		27 PRO DOOR SKIN SERVICE KIT W/LOGO AFTER 07/17/06-...
20	PS500014EP		27 PRO DOOR SKIN SERVICE KIT W/LOGO AFTER 07/17/06 -...
20	PS500014EPBR		27 PRO DOOR SKIN SERVICE KIT W/LOGO AFTER 07/17/06-...
20	PS500014FG		27 PRO DOOR SKIN SERVICE KIT W/LOGO AFTER 07/17/06 -...
20	PS500014FGBR		27 PRO DOOR SKIN SERVICE KIT W/LOGO AFTER 07/17/06-...
20	PS500014GG		27 PRO DOOR SKIN SERVICE KIT W/LOGO AFTER 07/17/06 -...
20	PS500014GGBR		27 PRO DOOR SKIN SERVICE KIT W/LOGO AFTER 07/17/06-...
20	PS500014LE		27 PRO DOOR SKIN SERVICE KIT W/LOGO AFTER 07/17/06 -...
20	PS500014LEBR		27 PRO DOOR SKIN SERVICE KIT W/LOGO AFTER 07/17/06-...
20	PS500014MJ		27 PRO DOOR SKIN SERVICE KIT W/LOGO AFTER 07/17/06 -...
20	PS500014MJBR		27 PRO DOOR SKIN SERVICE KIT W/LOGO AFTER 07/17/06-...
20	PS500014SG		27 PRO DOOR SKIN SERVICE KIT W/LOGO AFTER 07/17/06 -...
20	PS500014SGBR		27 PRO DOOR SKIN SERVICE KIT W/LOGO AFTER 07/17/06-...
20	PS500014SS		27 PRO DOOR SKIN SERVICE KIT W/LOGO AFTER 07/17/06 -...
20	PS500014SSBR		27 PRO DOOR SKIN SERVICE KIT W/LOGO AFTER 07/17/06-...
20	PS500014VB		27 PRO DOOR SKIN SERVICE KIT W/LOGO AFTER 07/17/06 -...
20	PS500014VBBR		27 PRO DOOR SKIN SERVICE KIT W/LOGO AFTER 07/17/06 -...
20	PS500014WH		27 PRO DOOR SKIN SERVICE KIT W/LOGO AFTER 07/17/06 -...
20	PS500014WHBR		27 PRO DOOR SKIN SERVICE KIT W/LOGO AFTER 07/17/06 -...
20	PS500018AL		27 PRO DOOR SKIN SERVICE KIT W/LOGO BEFORE 07/17/0...
20	PS500018ALBR		27 PRO DOOR SKIN SRV KIT W/LOGO BEFORE 07/17/06 - AL...
20	PS500018BK		27 PRO DOOR SKIN SRV KIT W/LOGO BEFORE 07/17/06 - BK
20	PS500018BKBR		27 PRO DOOR SKIN SRV KIT W/LOGO BEFORE 07/17/06 - BK...
20	PS500018BT		27 PRO DOOR SKIN SERVICE KIT W/LOGO BEFORE 07/17/0...
20	PS500018BTBR		27 PRO DOOR SKIN SERVICE KIT W/LOGO BEFORE 07/17/0...
20	PS500018BU		27 PRO DOOR SKIN SERVICE KIT W/LOGO BEFORE 07/17/0...
20	PS500018BUBR		27 PRO DOOR SKIN SERVICE KIT W/LOGO BEFORE 07/17/0...

Ref #	Part Number	Qty.	Description
20	PS500018BUBR		27 PRO DOOR SKIN SERVICE KIT W/LOGO BEFORE 07/17/0...
20	PS500018CB		27 PRO DOOR SKIN SERVICE KIT W/LOGO BEFORE 07/17/0...
20	PS500018CBBR		27 PRO DOOR SKIN SERVICE KIT W/LOGO BEFORE 07/17/0...
20	PS500018EP		27 PRO DOOR SKIN SERVICE KIT W/LOGO BEFORE 07/17/0...
20	PS500018EPBR		27 PRO DOOR SKIN SERVICE KIT W/LOGO BEFORE 07/17/0...
20	PS500018FG		27 PRO DOOR SKIN SERVICE KIT W/LOGO BEFORE 07/17/0...
20	PS500018FGBR		27 PRO DOOR SKIN SERVICE KIT W/LOGO BEFORE 07/17/0...
20	PS500018GG		27 PRO DOOR SKIN SERVICE KIT W/LOGO BEFORE 07/17/0...
20	PS500018GGBR		27 PRO DOOR SKIN SERVICE KIT W/LOGO BEFORE 07/17/0...
20	PS500018LE		27 PRO DOOR SKIN SERVICE KIT W/LOGO BEFORE 07/17/0...
20	PS500018LEBR		27 PRO DOOR SKIN SERVICE KIT W/LOGO BEFORE 07/17/0...
20	PS500018MJ		27 PRO DOOR SKIN SERVICE KIT W/LOGO BEFORE 07/17/0...
20	PS500018MJBR		27 PRO DOOR SKIN SERVICE KIT W/LOGO BEFORE 07/17/0...
20	PS500018SG		27 PRO DOOR SKIN SERVICE KIT W/LOGO BEFORE 07/17/0...
20	PS500018SGBR		27 PRO DOOR SKIN SERVICE KIT W/LOGO BEFORE 07/17/0...
20	PS500018SS		27 PRO DOOR SKIN SERVICE KIT W/LOGO BEFORE 07/17/0...
20	PS500018SSBR		27 PRO DOOR SKIN SERVICE KIT W/LOGO BEFORE 07/17/0...
20	PS500018VB		27 PRO DOOR SKIN SERVICE KIT W/LOGO BEFORE 07/17/0...
20	PS500018VBBR		27 PRO DOOR SKIN SERVICE KIT W/LOGO BEFORE 07/17/0...
20	PS500018WH		27 PRO DOOR SKIN SERVICE KIT W/LOGO BEFORE 07/17/0...
20	PS500018WHBR		27 PRO DOOR SKIN SERVICE KIT W/LOGO BEFORE 07/17/0...
21	PD020032		SRW-8(A)X3/8PH.WFR HD 7/16DIAAXNICL
22	PD030006		CAPPED WASHER PAL NUT
23	PE010016		NAMEPLATE, LOGO, PRO
23	PE010017		LOGO (VGSO,VEDO,VGDO,VUD) XWH/CHR
23	PE010079		4.5 LOGO/VIKING PROF, BK/BR
23	PE010080		4.5 LOGO/VIKING PROF XWH/BR
NI	G32012719AL		27 DOOR ASSY W/LOGO XALX
NI	G32012719ALBR		27 DOOR ASSY W/LOGO XALBRX
NI	G32012719BK		27 DOOR ASSY W/LOGO XBKX
NI	G32012719BKBR		27 DOOR ASSY W/LOGO XBKBRX
NI	G32012719BT		27 DOOR ASSY W/LOGO XBTX
NI	G32012719BTBR		27 DOOR ASSY W/LOGO XBTBRX
NI	G32012719BU		27 DOOR ASSY W/LOGO XBUX
NI	G32012719BUBR		27 DOOR ASSY W/LOGO XBUBRX
NI	G32012719CB		27 DOOR ASSY W/LOGO XCBX
NI	G32012719CBBR		27 DOOR ASSY W/LOGO XCBBRX
NI	G32012719EP		27 DOOR ASSY W/LOGO XEPX
NI	G32012719EPBR		27 DOOR ASSY W/LOGO XEPBRX
NI	G32012719FG		27 DOOR ASSY W/LOGO XFGX
NI	G32012719FGBR		27 DOOR ASSY W/LOGO XFGBRX
NI	G32012719GG		27 DOOR ASSY W/LOGO XGGX
NI	G32012719GGBR		27 DOOR ASSY W/LOGO XGGBRX
NI	G32012719LE		27 DOOR ASSY W/LOGO XLEX
NI	G32012719LEBR		27 DOOR ASSY W/LOGO XLEBRX
NI	G32012719MJ		27 DOOR ASSY W/LOGO XMJX
NI	G32012719MJBR		27 DOOR ASSY W/LOGO XMJBRX
NI	G32012719SG		27 DOOR ASSY W/LOGO XSGX
NI	G32012719SGBR		27 DOOR ASSY W/LOGO XSGBRX
NI	G32012719SS		27 DOOR ASSY W/LOGO
NI	G32012719SSBR		27 DOOR ASSY W/LOGO XSSBRX
NI	G32012719VB		27 DOOR ASSY W/LOGO XVBX
NI	G32012719VBBR		27 DOOR ASSY W/LOGO XVBBRX
NI	G32012719WH		27 DOOR ASSY W/LOGO XWHX
NI	G32012719WHBR		27 DOOR ASSY W/LOGO XWHBRX
NI	017736-000		WINDOW PACK INSULATION KIT

*No Image
Available*

Ref #	Part Number	Qty.	Description
NI	PE070738		T/STAT-SEL HARNESS (BEFORE 7/27/10) 72710C00028933
NI	PE070733		UPPER LATCH HARNESS (BEFORE 7/27/10) 72710C00028933
NI	PE070739		BAKE ELEMENT HARNESS
NI	G4005496		SUPPLY WIRE - 100 BK 10GA SO/DO
NI	G4005497		SUPPLY WIRE - 100 GREEN 10GA SO/DO
NI	G4005499		SUPPLY WIRE - 100 RED 10GA SO/DO
NI	G4005494		SUPPLY WIRE - 75 WH 12 GA SO/DO
NI	PE070741		LOWER LIGHT HARNESS
NI	PE070744		DOUBLE CLOCK HARNESS (BEFORE 7/27/10) 72710C00028933
NI	PE070796		6 POSITION 27 L.O. (BEFORE 7/27/10) 72710C00028933
NI	005296-000	1	MODEL 9 HEADER ON OR AFTER 7/28/10 (072810C00028948)
NI	PE070742		UPPER CONTROL HARNESS (BEFORE 7/27/10) 72710C00028933
NI	PE070736		LOWER CONTROL HARNESS (BEFORE 7/27/10) 72710C00028933
NI	PE070740		LOWER LATCH HARNESS (BEFORE 7/27/10) 72710C00028933
NI	024399-000	1	UPPER OR SINGLE HARNESS (ON OR AFTER 7/27/10) 72710C00028933
NI	024404-000	2	LATCH HARNESS (ON OR AFTER 7/27/10) 72710C00028933
NI	024440-000	1	RIBBON CABLE (ON OR AFTER 7/27/10) 72710C00028933
NI	017047-000	1	TOD2 RIBBON CABLE (ON OR AFTER 7/27/10) 72710C00028933