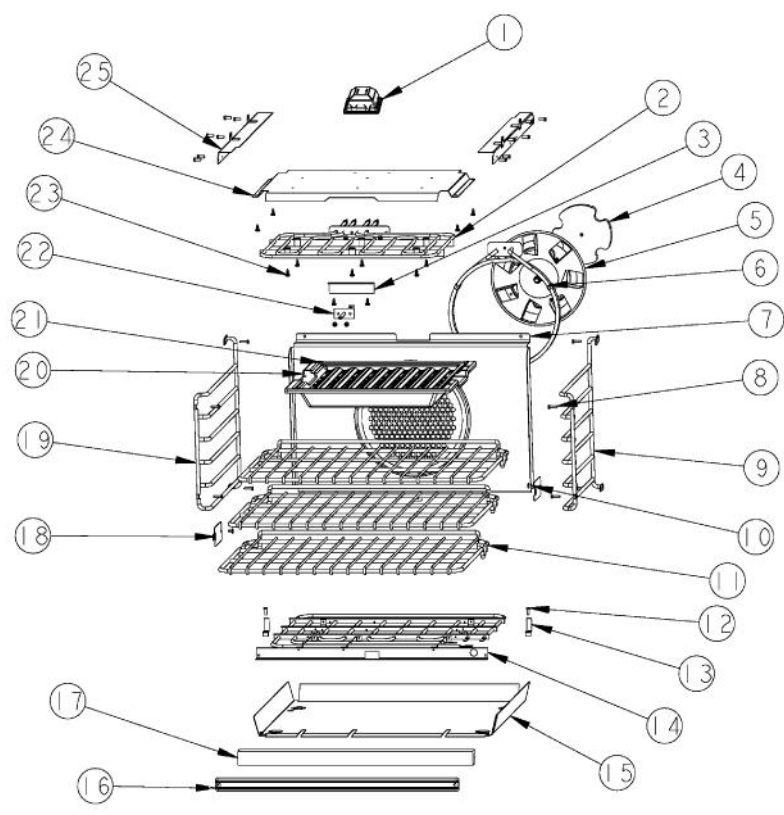
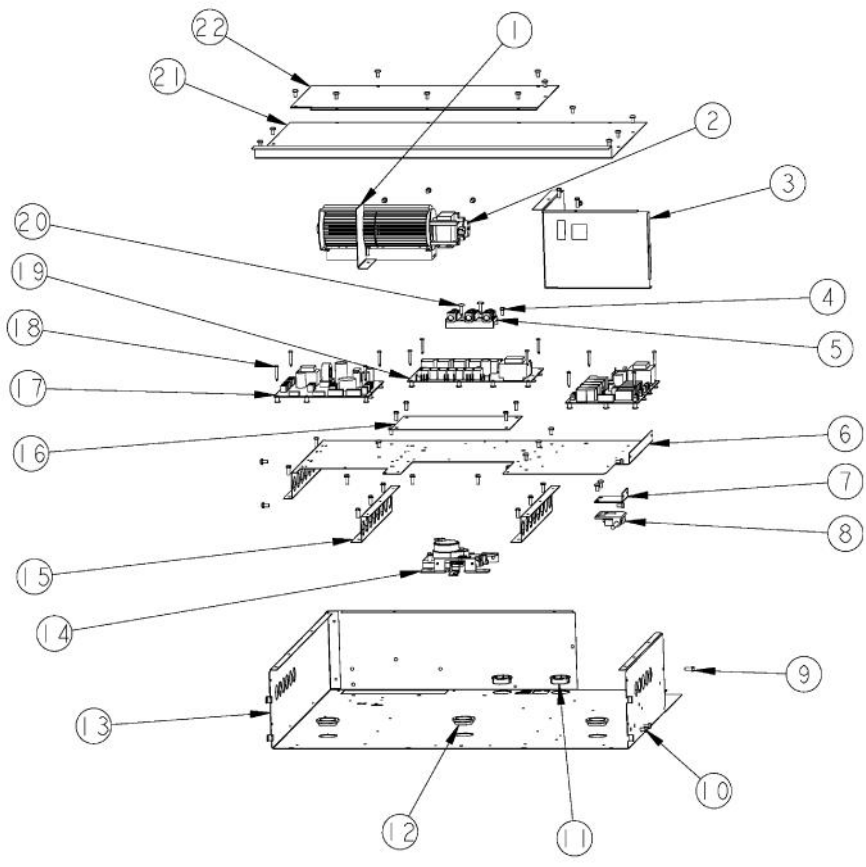


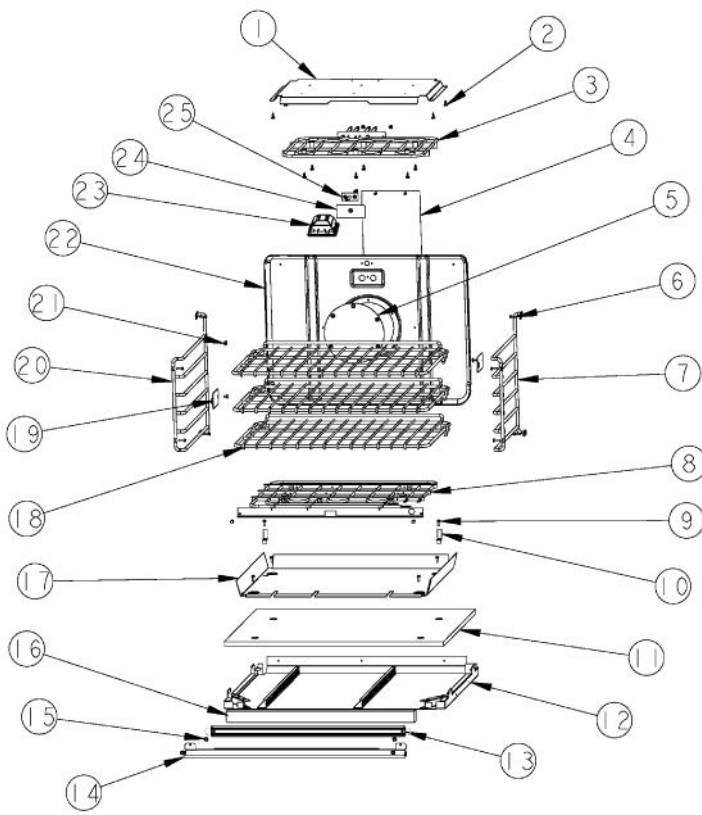
Ref #	Part Number	Qty.	Description
1	PE050247	2	EBM FAN MOTOR CAPACITOR
2	A10014028	1	2 CAPACITOR BRACKET
3	PD040164	2	5/16 INTERNAL TOOTH LOCK WASHER TYPE A
4	PD030172	2	M8 X 1.25MM NUT
5	002534-000	1	PRO-TOUCH CONTROL PANEL BRACKET
6	C90014073BK	1	27 INLET GRILL
6	C90014073WH	1	27 INLET GRILLXWHX
7	PD040004	2	GROMMET BUMPER
8	002458-000	1	27 DOUBLE TOUCH CONTROL MTG PANEL
9	000238-000	2	TOUCH CONTROL MTG BRACKET
10	000057-000	1	PRO DOUBLE SELECT TOUCH CONTROL
11	002457-000BK	1	27`` PROFESSIONAL CONTROL PANEL - BK
11	002457-000SS	1	27`` PROFESSIONAL CONTROL PANEL - SS
11	002457-000WH	1	27`` PROFESSIONAL CONTROL PANEL - WH
12	002007-000	1	27 J-MOLD (CHROME)
13	PJ030043	1	BI-METAL THERMOSTAT (N.C.) 180 DEGREES
14	PD020013	2	TYPE AB NO.6 X 3/8 PH PAN HD. SMS
15	PD020060	6	10 X 1/2 (5/16)HEX WSHER HD.(T)A
16	PD020004	11	10X3/8PH.HD.TYPE 25 REPL PD040125



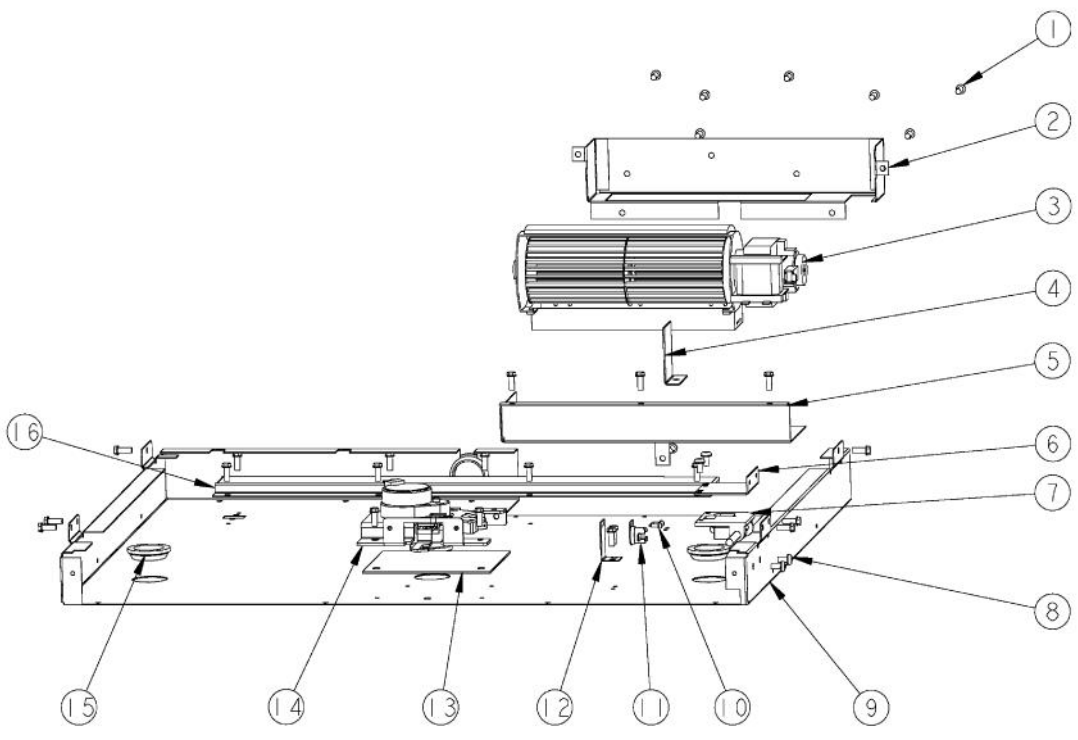
Ref #	Part Number	Qty.	Description
1	PE050239	1	HALOGEN LAMP
2	PJ010049	1	BROIL ELEMENT
3	A20014044	1	BROIL ELEMENT SHIELD
4	PB070312	1	CONVECTION MOTOR MTG. PLATE INSULATION
5	G32014020	1	CONVECTION FAN ASSY
6	PJ010047	1	CONVECTION ELEMENT
7	G91013597	1	27 BAFFLE ASSEMBLY
8	PD020232	8	NO.8 X 3/4 PH PAN HEAD TEK SCREW (BLACK OXIDE)
9	PB060103	1	RACK SUPPORT RH
10	PD020063	2	SCREW-NO.8(A) X 3/8PH WFR HD/BK OXID
11	PB060105	3	27 OVEN RACK
12	PD020060	14	10 X 1/2 (5/16)HEX WSHR HD.(T)A
13	A2009696	2	HOLDER, BAKE ELEMENT
14	PJ010048	1	BAKE ELEMENT
15	A20010932	1	ELEMENT, MTG TRAY
16	E2109655	1	COVER, BAKE TRAY
17	PB070309	1	BAKE ELEMENT INSULATION
18	E91012614	2	LIGHT HOLE COVER
19	PB060104	1	RACK SUPPORT LH
20	E9107933	1	BROILER PAN
21	E9107934	1	BROILER PAN INSERT
22	PE050206	1	RTD THERMOSTAT PROBE
23	PD020055	16	NO.10 X 1/2 PAN PHIL. TEK. SS
24	A20014021	1	REFLECTOR, BROIL
25	A2009641	2	BRKT, TOP WRAPPER



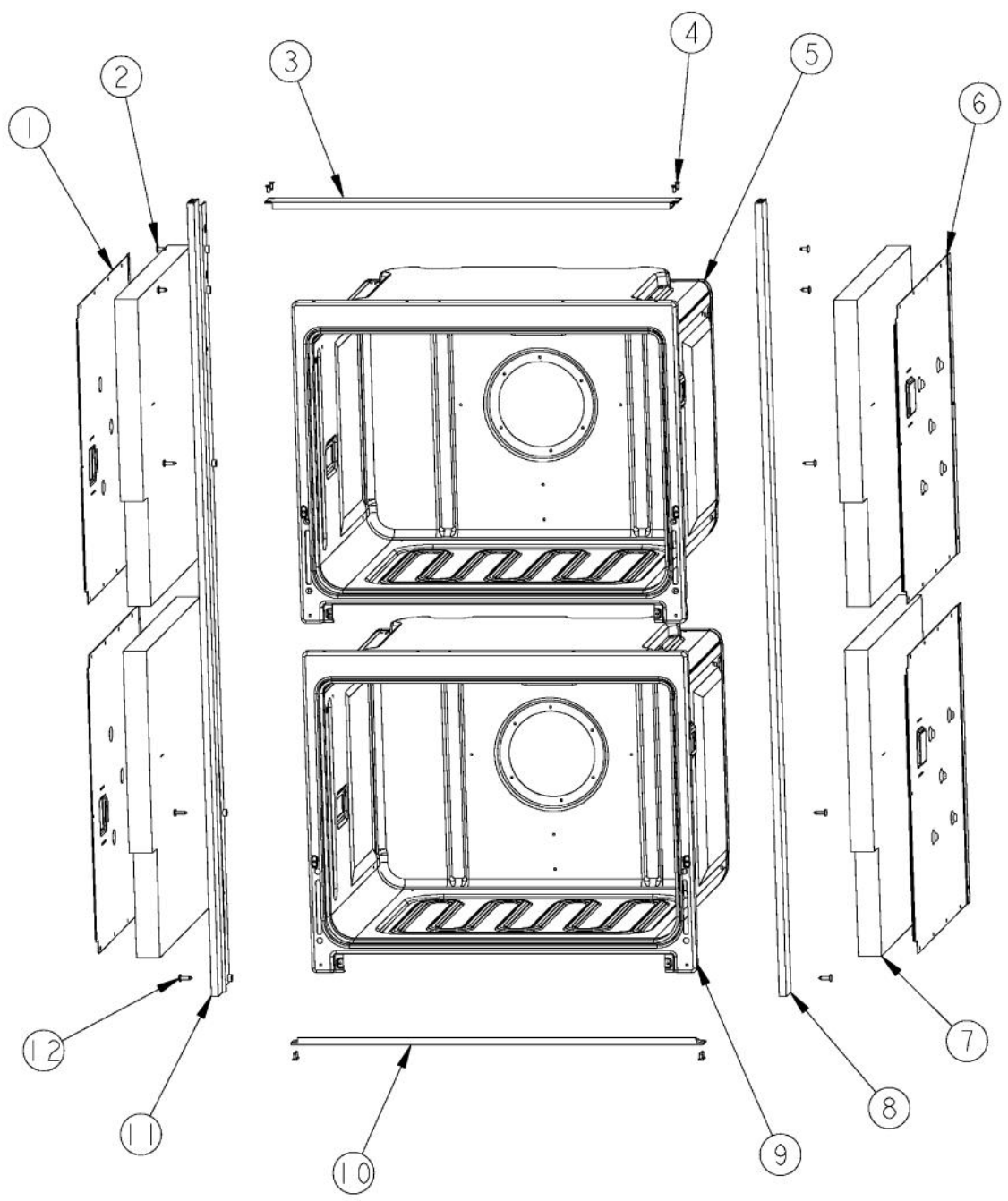
Ref #	Part Number	Qty.	Description
1	A2009667	1	REAR AIR DIVIDER
2	PE050250	1	PREMIUM BLOWER WITH HES
3	A20010934	1	BRACKET, MODULE PAN
4	PD020010	1	10 X 3/8 GREEN GROUNDING SCREW
5	PE070147	1	TERMINAL BLOCK
6	A20010935	1	ELECTRONICS HAT
7	A20012649	1	DOOR SWITCH BRACKET
8	PE050208	1	DOOR SWITCH
9	PD020060	22	10 X 1/2 (5/16)HEX WSHER HD.(T)A
10	PD020004	22	10X3/8PH.HD.TYPE 25 REPL PD040125
11	PD040152	2	SNAP BUSHING
12	PB070079	3	SILICONE EXTRUSION (DGSU)
13	NOT REPLACEABLE	N/A	OVEN CAVITY (NOT REPLACEABLE PART)
14	PE050210	1	DOOR LATCH
15	A20010910	2	BRACKET, SUPPORT, ELECTRONICS HAT
16	A10010911	1	COVER, LATCH
17	PE050233	1	CONTROL BOARD
18	PD020185	12	NO.6 X 1 PAN HEAD SCREW
19	PE050234	2	RELAY BOARD
20	PD020014	2	10X3/4 PH TR HD SMS
21	A20014046	1	27 FRONT COVER
22	A20014047	1	27 REAR COVER



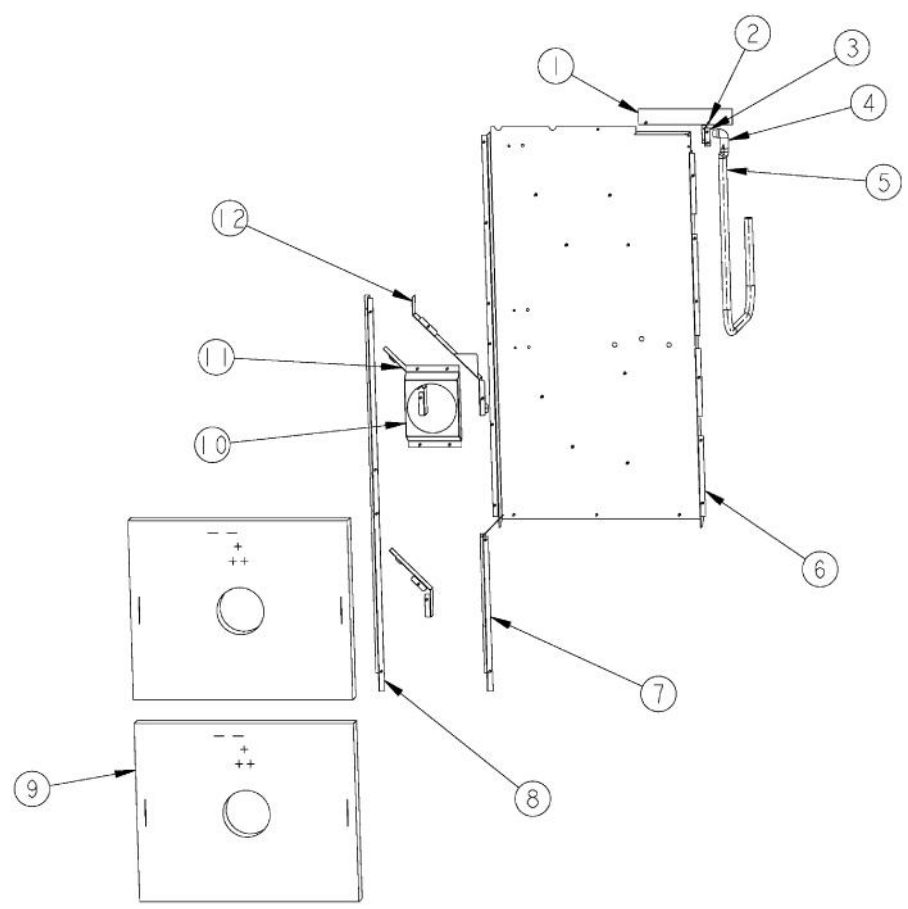
Ref #	Part Number	Qty.	Description
1	A20014021	1	REFLECTOR, BROIL
2	PD020055	14	NO.10 X 1/2 PAN PHIL. TEK. SS
3	PJ010049	1	BROIL ELEMENT
4	A10012648	1	BACK COVER
5	E91012615	1	CONVECTION HOLE COVER
6	PD020232	8	NO.8 X 3/4 PH PAN HEAD TEK SCREW (BLACK OXIDE)
7	PB060103	1	RACK SUPPORT RH
8	PJ010048	1	BAKE ELEMENT
9	PD020060	12	10 X 1/2 (5/16)HEX WSHR HD.(T)A
10	A2009696	2	HOLDER, BAKE ELEMENT
11	PB070300	1	27 BOTTOM INSULATION
12	NOT REPLACEABLE	N/A	OVEN CAVITY (NOT REPLACEABLE PART)
13	E9109655	1	BAKE TRAY COVER
14	C90012822BK	1	BOTTOM AIR DEFLECTOR 27
15	PD020063	13	SCREW-NO.8(A) X 3/8PH WFR HD/BK OXID
16	PB070309	1	BAKE ELEMENT INSULATION
17	A20010932	1	ELEMENT, MTG TRAY
18	PB060105	3	27 OVEN RACK
19	E91012614	2	LIGHT HOLE COVER
20	PB060104	1	RACK SUPPORT LH
21	E91014053	1	PORCELAIN 25/64 HOLE PLUG
22	NOT REPLACEABLE	N/A	OVEN CAVITY (NOT REPLACEABLE PART)
23	PE050239	1	HALOGEN LAMP
24	E91012616	1	CONV. ELEMENT HOLE COVER
25	PE050206	1	RTD THERMOSTAT PROBE



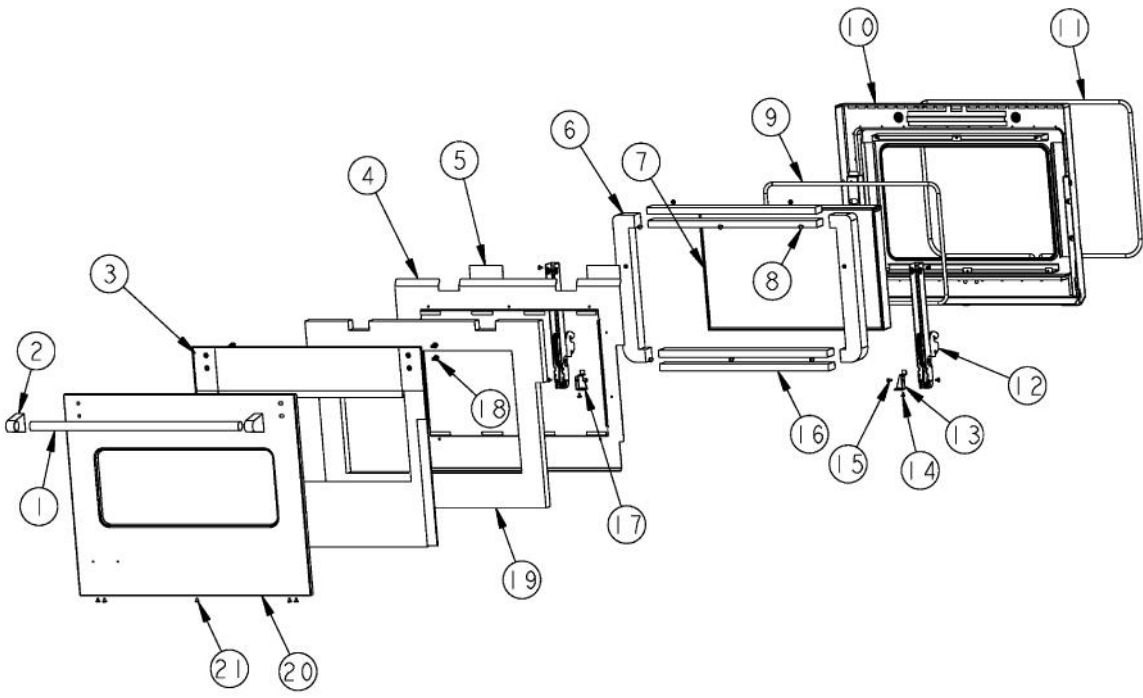
Ref #	Part Number	Qty.	Description
1	PD020060	28	10 X 1/2 (5/16)HEX WSHR HD.(T)A
2	A3009660	1	BRACKET, BLOWER, DBL LOWER OVEN
3	PE050250	1	PREMIUM BLOWER WITH HES
4	A20014036	1	BOTTOM BLOWER DIVIDER
5	A2009659	1	BRACKET, FILLER, BLOWER
6	A20012649	1	DOOR SWITCH BRACKET
7	PE050208	1	DOOR SWITCH
8	PD020004	4	10X3/8PH.HD.TYPE 25 REPL PD040125
9	NOT REPLACEABLE	N/A	OVEN CAVITY (NOT REPLACEABLE PART)
10	PD020013	2	TYPE AB NO.6 X 3/8 PH PAN HD. SMS
11	PD020063	2	SCREW-NO.8(A) X 3/8PH WFR HD/BK OXID
12	PJ030039	1	BI-METAL THERMOSTAT 275 DEGREES
13	A20014089	1	DISC BRACKET
14	PB070321	1	LOWER LATCH INSULATION
15	PE050210	1	DOOR LATCH
16	C90012803BK	1	INLET GRILL DBL LOWER OVEN 27
17	PB070079	4	SILICONE EXTRUSION (DGSU)
18	PD040004	2	GROMMET BUMPER
19	A20012808	1	CATALYST EXHAUST, MIDDLE MODULE



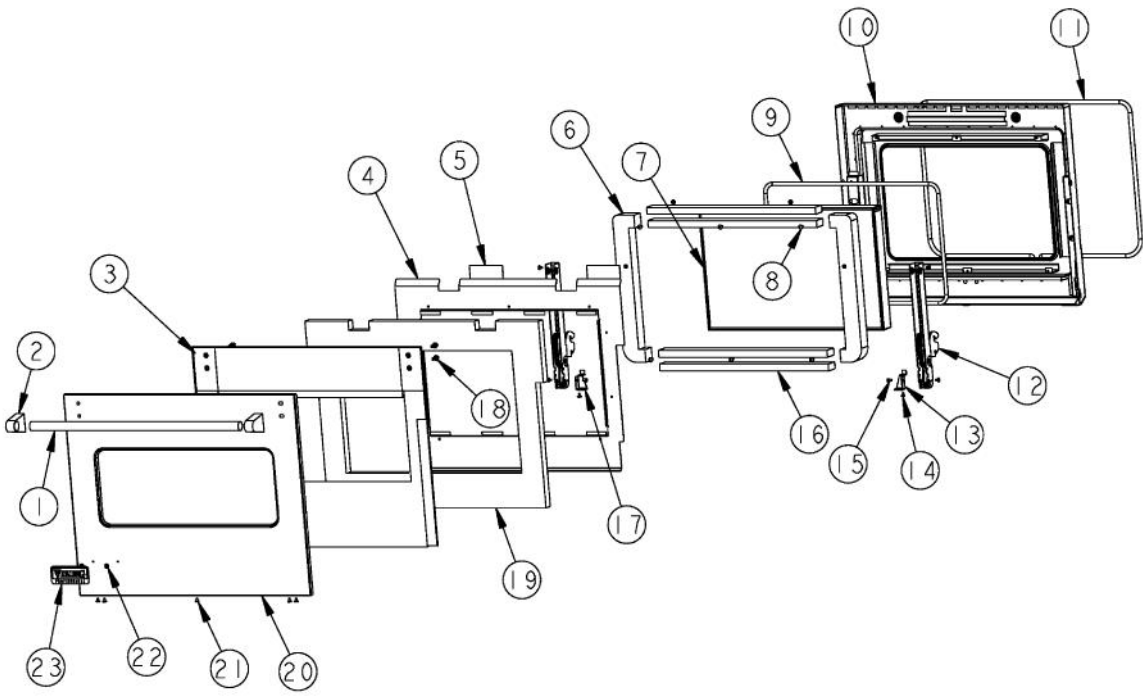
Ref #	Part Number	Qty.	Description
1	A20012650	2	BRKT, TOP WRAPPER LEFT
2	PD020002	4	10 X 1/2 PH.TR.HD.SMS.
3	PE040271	1	27 PROF. TOP TRIM
4	M0215318	8	SCREW-SM
5	NOT REPLACEABLE	N/A	OVEN CAVITY (NOT REPLACEABLE PART)
6	A2009622	2	BRKT, TOP WRAPPER, RIGHT
7	PB070302	4	SIDE INSULATION
8	PE040277	1	PROF. DOUBLE SIDE TRIM RH
9	NOT REPLACEABLE	N/A	OVEN CAVITY (NOT REPLACEABLE PART)
10	PE040272	1	27 PROF. BOTTOM TRIM
11	PE040278	1	PROF. DOUBLE SIDE TRIM LH
12	PD020014	6	10X3/4 PH TR HD SMS



Ref #	Part Number	Qty.	Description
1	A10010907	1	COVER, BLOWER
2	PD020060	4	10 X 1/2 (5/16)HEX WSHER HD.(T)A
3	A2009671	1	BRACKET, POWER CABLE
4	PB040070	1	CONDUIT FITTING (90 DEG)
5	PB020071	1	CONDUIT - FLEXIBLE (48)
6	A20012807	1	PANEL, REAR
7	A20012809	1	REAR AIR DIVIDER, DBL, LOWER OVEN
8	A2009684	1	REAR AIR DIVIDER, DOUBLE OVEN
9	PB070301	1	27 BACK INSULATION
10	A2009697	2	BRACKET, CONVECTION INSULATION
11	A21010919	2	BRACKET, AIR, CONVECTION MOTOR
12	A21010918	1	BRACKET, AIR, CONVECTION MOTOR

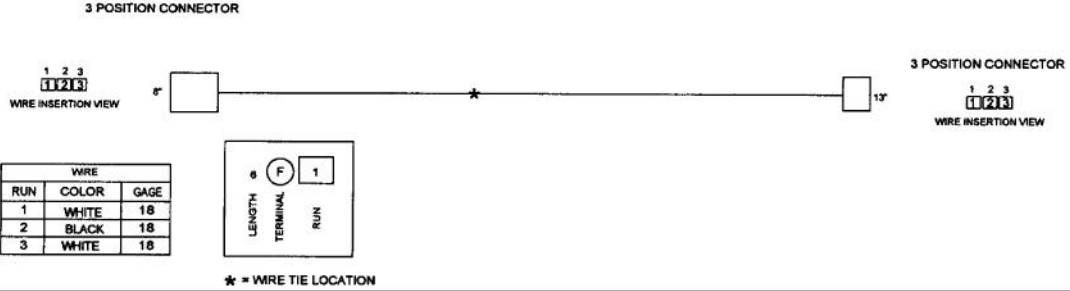


Ref #	Part Number	Qty.	Description
1	PE030178	1	27 PROF. DOOR HANDLE
1	PE030178PVD	1	27 PROF. DOOR HANDLE XPVDX
2	PE030001	2	BRACKET, DOOR, HANDLE
2	PE030001PVD	2	END CAP DOOR HANDLE XBR
3	001501-000	1	PRO 27`` INSULATION RETAINER KIT (AFTER 7-17-06)
4	A20010949	1	PANEL, INSULATION, INNNER DOOR
5	PB070336	1	DOOR BRACKET INSULATION
6	PB070271	2	DOOR PLUG INSULATION
7	PE060093	1	27 WINDOW PACK
8	PD020002	8	10 X 1/2 PH.TR.HD.SMS.
9	000594-000	1	BLACK FIBERGLASS ROPE 3/8
10	G91010942	1	DOOR LINER ASSEMBLY
11	PB070245	1	27 DOOR GASKET
12	PC020248	2	DOOR HINGE
13	A20012640	1	HINGE SUPPORT RH
14	PD020063	2	SCREW-NO.8(A) X 3/8PH WFR HD/BK OXID
15	PD020004	6	10X3/8PH.HD.TYPE 25 REPL PD040125
16	PB070273	2	27 WINDOW PACK INSULATION
17	A20012641	1	HINGE SUPPORT LH
18	PD020186	4	1/4-20 X 3/4 HEX WASHER HEAD MS
19	PB00276	1	DOOR INSULATION
20	PS500016BK	1	27 PRO DOOR SKIN SVC KIT W/O LOGO AFTER 07/17/06 - BK
20	PS500016BKBR	1	27 PRO DOOR SKIN SVC KIT W/O LOGO AFTER 07/17/06 - B...
20	PS500016SS	1	27 PRO DOOR SKIN SERVICE KIT W/O LOGO AFTER 07/17/0...
20	PS500016SSBR	1	27 PRO DOOR SKIN SERVICE KIT W/O LOGO AFTER 07/17/0...
20	PS500016WH	1	27 PRO DOOR SKIN SERVICE KIT W/O LOGO AFTER 07/17/0...
20	PS500016WHBR	1	27 PRO DOOR SKIN SERVICE KIT W/O LOGO AFTER 07/17/0...
21	PD020032	5	SRW-8(A)X3/8PH.WFR HD 7/16DIAXNICL
NI	G32012720BK	1	27 DOOR ASSY W/O LOGO XBKX
NI	G32012720BKBR	1	27 DOOR ASSY W/O LOGO XBKBRX
NI	G32012720SS	1	27 DOOR ASSY W/O LOGO
NI	G32012720SSBR	1	27 DOOR ASSY W/O LOGO XSSBRX
NI	G32012720WH	1	27 DOOR ASSY W/O LOGO XWHX
NI	G32012720WHBR	1	27 DOOR ASSY W/O LOGO XWHBRX
NI	017736-000	1	WINDOW PACK INSULATION KIT

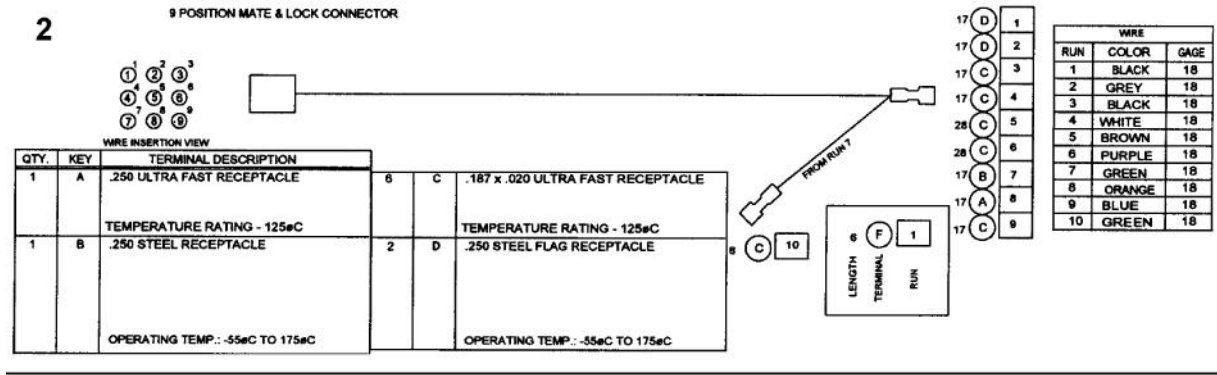


Ref #	Part Number	Qty.	Description
1	PE030178	1	27 PROF. DOOR HANDLE
1	PE030178PVD	1	27 PROF. DOOR HANDLE XPVDX
2	PE030001	2	BRACKET, DOOR, HANDLE
2	PE030001PVD	2	END CAP DOOR HANDLE XBR
3	001501-000	1	PRO 27`` INSULATION RETAINER KIT (AFTER 7-17-06)
4	A20010949	1	PANEL, INSULATION, INNNER DOOR
5	PB070336	1	DOOR BRACKET INSULATION
6	PB070271	2	DOOR PLUG INSULATION
7	PE060093	1	27 WINDOW PACK
8	PD020002	8	10 X 1/2 PH.TR.HD.SMS.
9	000594-000	1	BLACK FIBERGLASS ROPE 3/8
10	G91010942	1	DOOR LINER ASSEMBLY
11	PB070245	1	27 DOOR GASKET
12	PC020248	2	DOOR HINGE
13	A20012640	1	HINGE SUPPORT RH
14	PD020063	2	SCREW-NO.8(A) X 3/8PH WFR HD/BK OXID
15	PD020004	6	10X3/8PH.HD.TYPE 25 REPL PD040125
16	PB070273	2	27 WINDOW PACK INSULATION
17	A20012641	1	HINGE SUPPORT LH
18	PD020186	4	1/4-20 X 3/4 HEX WASHER HEAD MS
19	PB070276	1	27 DOOR INSULATION
20	PS500014BK	1	27 PRO DOOR SKIN SERVICE KIT W/LOGO AFTER 07/17/06 -...
20	PS500014BKBR	1	27 PRO DOOR SKIN SERVICE KIT W/LOGO AFTER 07/17/06 -...
20	PS500014SS	1	27 PRO DOOR SKIN SERVICE KIT W/LOGO AFTER 07/17/06 -...
20	PS500014SSBR	1	27 PRO DOOR SKIN SERVICE KIT W/LOGO AFTER 07/17/06-...
20	PS500014WH	1	27 PRO DOOR SKIN SERVICE KIT W/LOGO AFTER 07/17/06 -...
20	PS500014WHBR	1	27 PRO DOOR SKIN SERVICE KIT W/LOGO AFTER 07/17/06 -...
21	PD020032	5	SRW-8(A)X3/8PH.WFR HD 7/16DIAXNICL
22	PD030006	2	CAPPED WASHER PAL NUT
23	PE010016	1	NAMEPLATE, LOGO, PRO
23	PE010017	1	LOGO (VGSO,VEDO,VGDO,VUD) XWH/CHR
23	PE010079	1	4.5 LOGO/VIKING PROF, BK/BR
23	PE010080	1	4.5 LOGO/VIKING PROF XWH/BR
NI	G32012719BK	1	27 DOOR ASSY W/LOGO XBKX
NI	G32012719BKBR	1	27 DOOR ASSY W/LOGO XBKBRX
NI	G32012719SS	1	27 DOOR ASSY W/LOGO
NI	G32012719SSBR	1	27 DOOR ASSY W/LOGO XSSBRX
NI	G32012719WH	1	27 DOOR ASSY W/LOGO XWHX
NI	G32012719WHBR	1	27 DOOR ASSY W/LOGO XWHBRX
NI	017736-000	1	WINDOW PACK INSULATION KIT

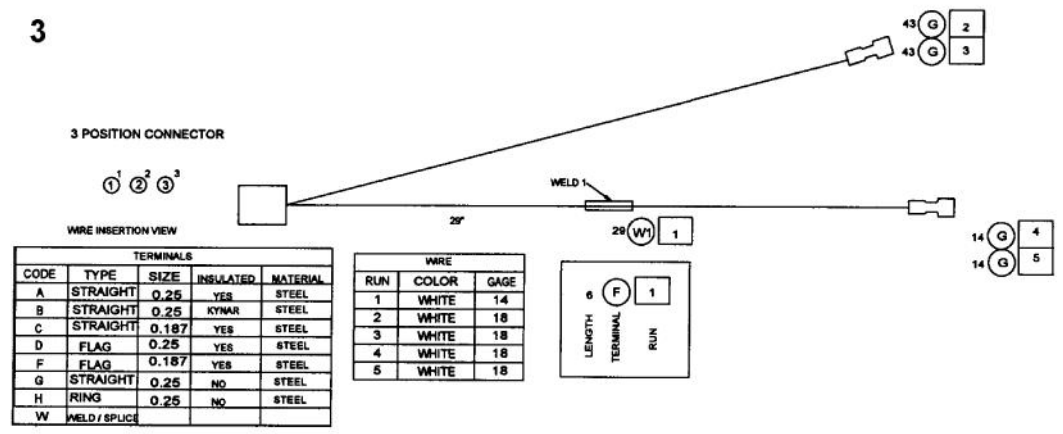
1



2

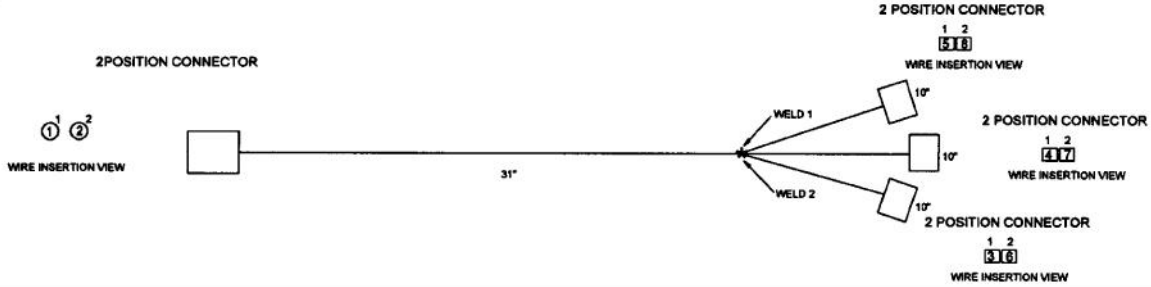


3



Ref #	Part Number	Qty.	Description
1	PE070738	1	T/STAT-SEL HARNESS
NI	PE070733	1	UPPER LATCH HARNESS
NI	PE070739	1	BAKE ELEMENT HARNESS
NI	G4005496	1	SUPPLY WIRE - 100 BK 10GA SO/DO
NI	G4005497	1	SUPPLY WIRE - 100 GREEN 10GA SO/DO
NI	G4005499	1	SUPPLY WIRE - 100 RED 10GA SO/DO
NI	G4005494	1	SUPPLY WIRE - 75 WH 12 GA SO/DO

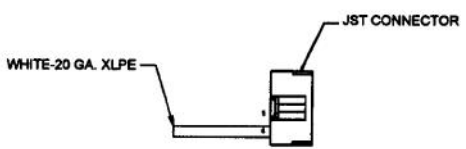
1



2

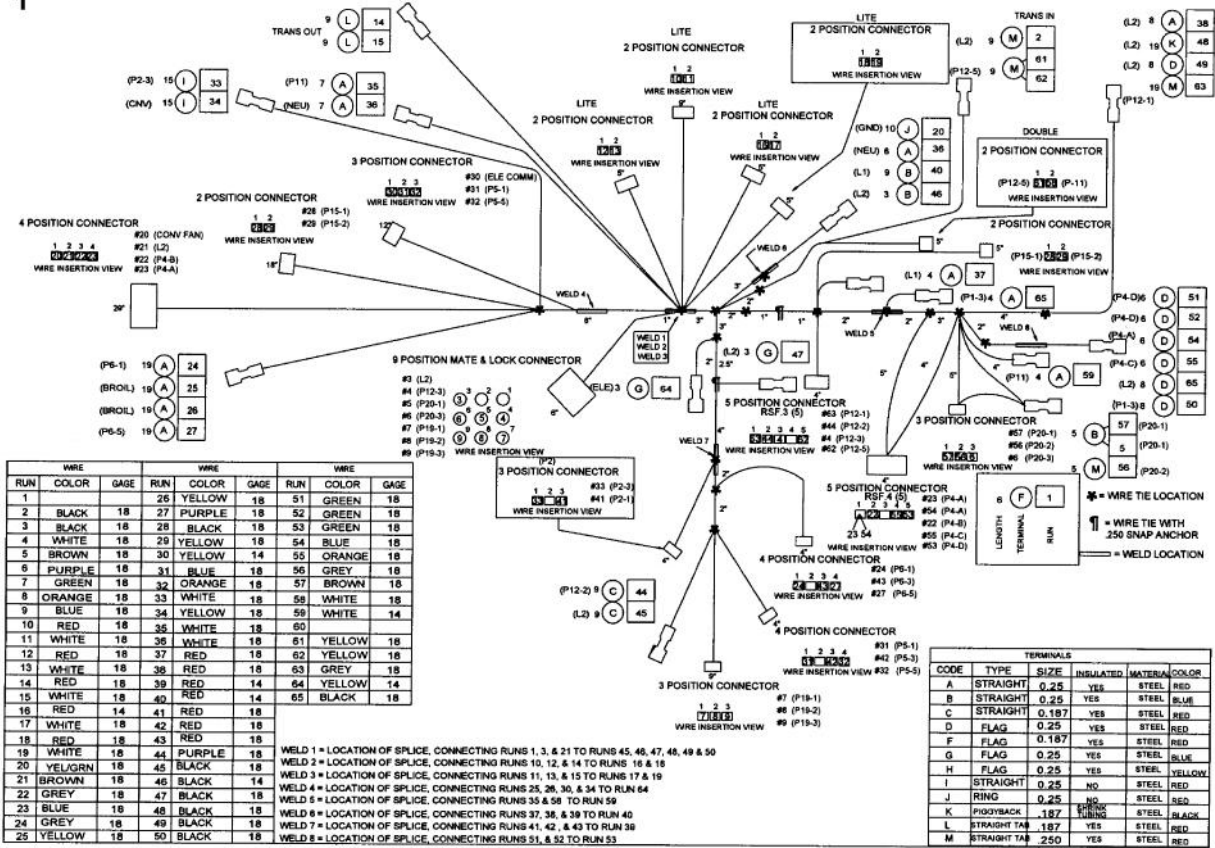


3



Ref #	Part Number	Qty.	Description
1	PE070741	1	LOWER LIGHT HARNESS
2	PE070744	1	DOUBLE CLOCK HARNESS
3	PE070796	1	6 POSITION 27 L.O.

1

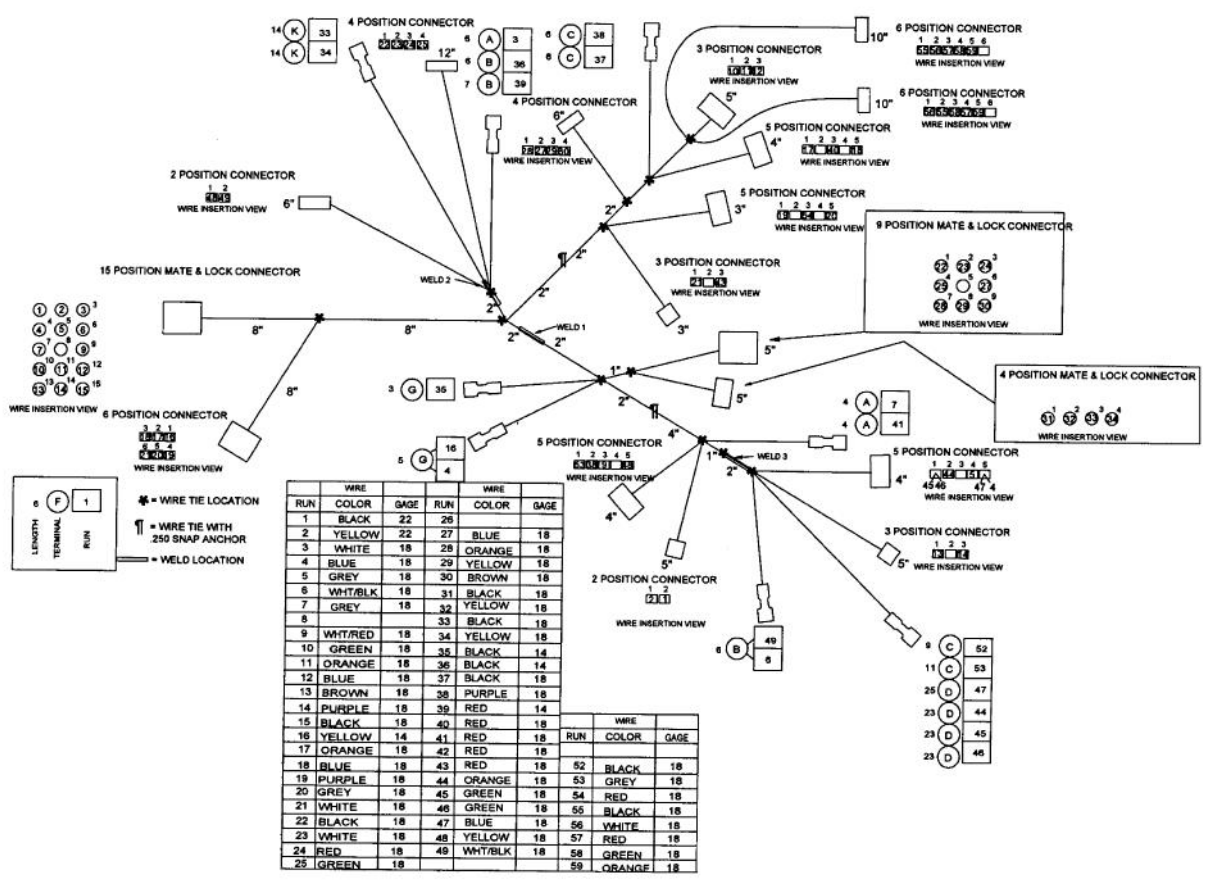


WIRE	WIRE	WIRE	WIRE	WIRE	WIRE	WIRE	WIRE	
RUN	COLOR	GAGE	RUN	COLOR	GAGE	RUN	COLOR	GAGE
1			26	YELLOW	18	51	GREEN	18
2	BLACK	18	27	PURPLE	18	52	GREEN	18
3	BLACK	18	28	BLACK	18	53	GREEN	18
4	WHITE	18	29	YELLOW	18	54	BLUE	18
5	BROWN	18	30	YELLOW	14	55	ORANGE	18
6	PURPLE	18	31	BLUE	18	56	GREY	18
7	GREEN	18	32	ORANGE	18	57	BROWN	18
8	ORANGE	18	33	WHITE	18	58	WHITE	18
9	BLUE	18	34	YELLOW	18	59	WHITE	14
10	RED	18	35	WHITE	18	60		
11	WHITE	18	36	WHITE	18	61	YELLOW	18
12	RED	18	37	RED	18	62	YELLOW	18
13	WHITE	18	38	RED	18	63	GREY	18
14	RED	18	39	RED	14	64	YELLOW	14
15	WHITE	18	40	RED	14	65	BLACK	18
16	RED	14	41	RED	18			
17	WHITE	18	42	RED	18			
18	RED	18	43	RED	18			
19	WHITE	18	44	PURPLE	18			
20	YELLOW	18	45	BLACK	18			
21	BROWN	18	46	BLACK	14			
22	GREY	18	47	BLACK	18			
23	BLUE	18	48	BLACK	18			
24	GREY	18	49	BLACK	18			
25	YELLOW	18	50	BLACK	18			

WELD 1 = LOCATION OF SPLICE, CONNECTING RUNS 1, 3, & 21 TO RUNS 45, 46, 47, 48, 49 & 50
 WELD 2 = LOCATION OF SPLICE, CONNECTING RUNS 10, 12, & 14 TO RUNS 18 & 19
 WELD 3 = LOCATION OF SPLICE, CONNECTING RUNS 11, 13, & 15 TO RUNS 17 & 19
 WELD 4 = LOCATION OF SPLICE, CONNECTING RUNS 25, 26, 30, & 34 TO RUN 64
 WELD 5 = LOCATION OF SPLICE, CONNECTING RUNS 35 & 58 TO RUN 59
 WELD 6 = LOCATION OF SPLICE, CONNECTING RUNS 37, 38, & 39 TO RUN 40
 WELD 7 = LOCATION OF SPLICE, CONNECTING RUNS 41, 42, & 43 TO RUN 38
 WELD 8 = LOCATION OF SPLICE, CONNECTING RUNS 51, & 52 TO RUN 53

CODE	TYPE	SIZE	INSULATED	MATERIAL	COLOR
A	STRAIGHT	0.25	YES	STEEL	RED
B	STRAIGHT	0.25	YES	STEEL	BLUE
C	STRAIGHT	0.187	YES	STEEL	RED
D	FLAG	0.25	YES	STEEL	RED
F	FLAG	0.187	YES	STEEL	RED
G	FLAG	0.25	YES	STEEL	BLUE
H	FLAG	0.25	YES	STEEL	YELLOW
I	STRAIGHT	0.25	NO	STEEL	RED
J	RING	0.25	NO	STEEL	RED
K	PIEDBACK	.187	NO	STEEL	BLACK
L	STRAIGHT TAB	.187	YES	STEEL	RED
M	STRAIGHT TAB	.250	YES	STEEL	RED

Ref #	Part Number	Qty.	Description
1	PE070742	1	UPPER CONTROL HARNESS



WIRE RUN	COLOR	GAGE	WIRE RUN	COLOR	GAGE
1	BLACK	22	26		
2	YELLOW	22	27	BLUE	18
3	WHITE	18	28	ORANGE	18
4	BLUE	18	29	YELLOW	18
5	GREY	18	30	BROWN	18
6	WHT/BLK	18	31	BLACK	18
7	GREY	18	32	YELLOW	18
8			33	BLACK	18
9	WHT/RED	18	34	YELLOW	18
10	GREEN	18	35	BLACK	14
11	ORANGE	18	36	BLACK	14
12	BLUE	18	37	BLACK	18
13	BROWN	18	38	PURPLE	18
14	PURPLE	18	39	RED	14
15	BLACK	18	40	RED	18
16	YELLOW	14	41	RED	18
17	ORANGE	18	42	RED	18
18	BLUE	18	43	RED	18
19	PURPLE	18	44	ORANGE	18
20	GREY	18	45	GREEN	18
21	WHITE	18	46	GREEN	18
22	BLACK	18	47	BLUE	18
23	WHITE	18	48	YELLOW	18
24	RED	18	49	WHT/BLK	18
25	GREEN	18			

WIRE RUN	COLOR	GAGE
52	BLACK	18
53	GREY	18
54	RED	18
55	BLACK	18
56	WHITE	18
57	RED	18
58	GREEN	18
59	ORANGE	18

Ref #	Part Number	Qty.	Description
1	PE070736	1	LOWER CONTROL HARNESS

*No Image
Available*

Ref #	Part Number	Qty.	Description
1	PE070740	1	LOWER LATCH HARNESS

*No Image
Available*

Ref #	Part Number	Qty.	Description
1	PE070845	1	TOUCH CONTROL KEYBOARD HARNESS

*No Image
Available*

Ref #	Part Number	Qty.	Description
1	PE070846	1	TOUCH CONTROL DISPLAY HARNESS