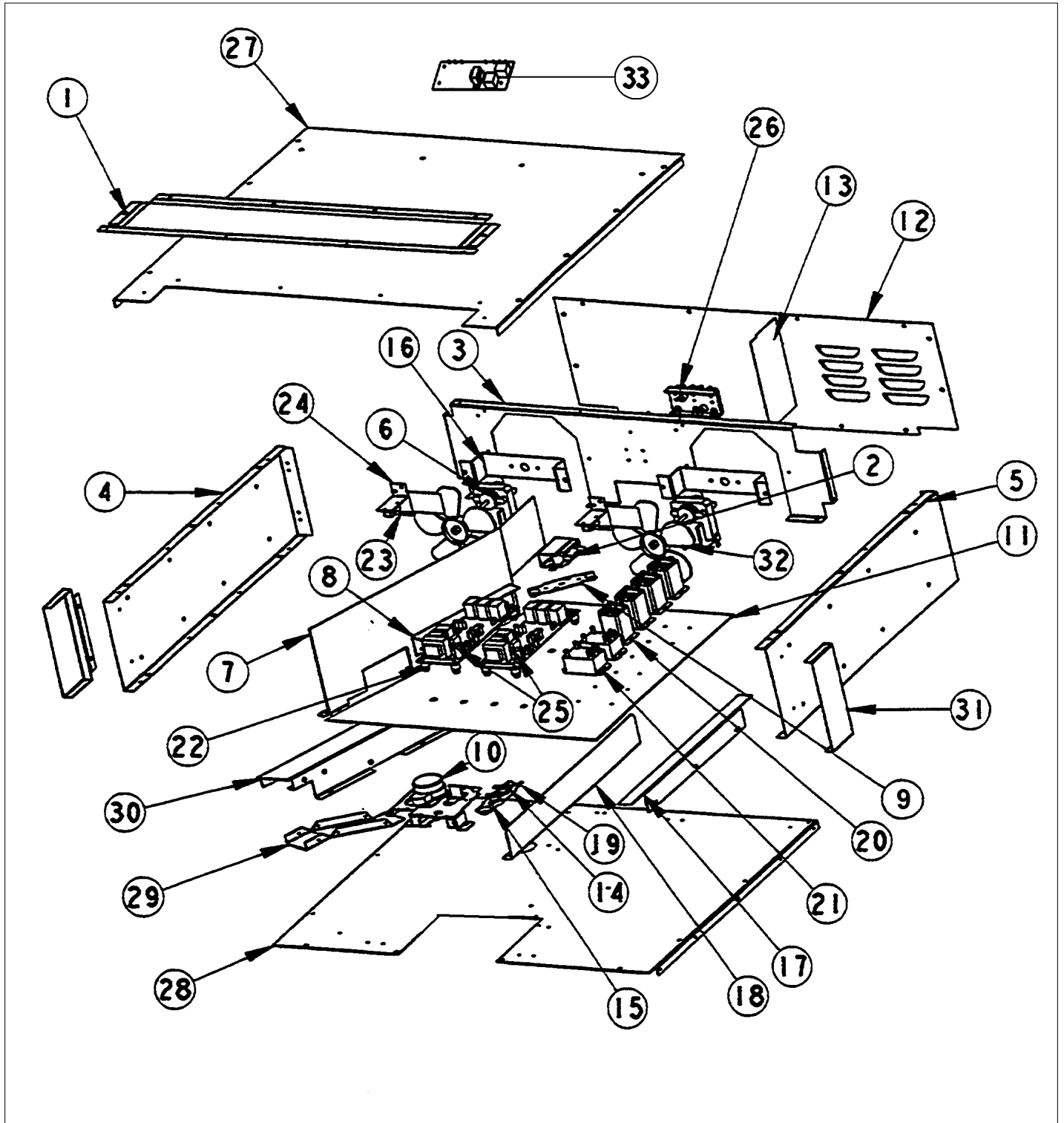


VEDO205

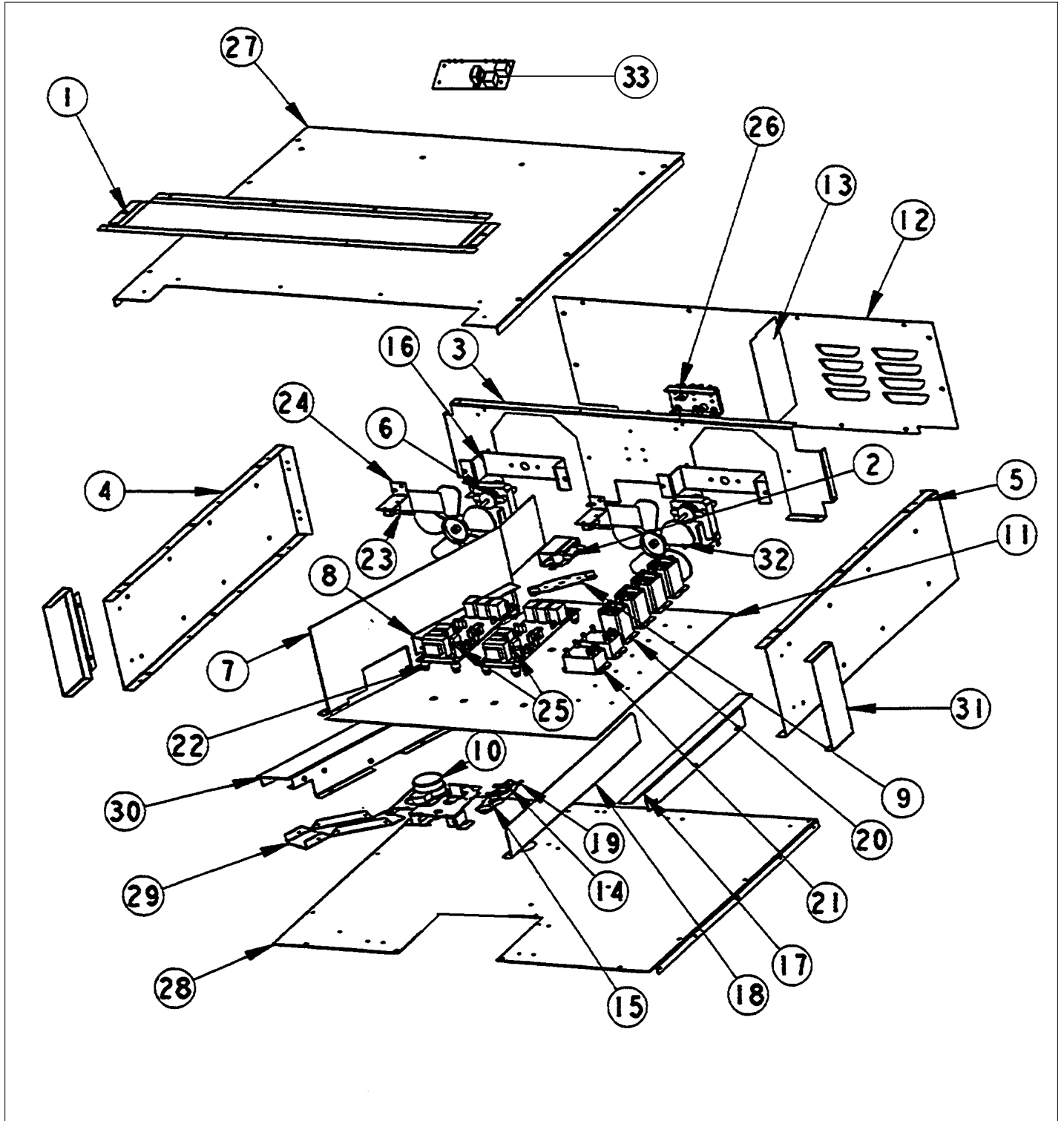
Contents

CABINET ASSEMBLY	1
CONTROL PANEL ASSY	2
DOOR ASSEMBLY	3
LOWER OVEN	4
UPPER OVEN	5
WIRING	6
Appendix B:Parts Index	B
Appendix A:Pages Index	A

CABINET ASSEMBLY



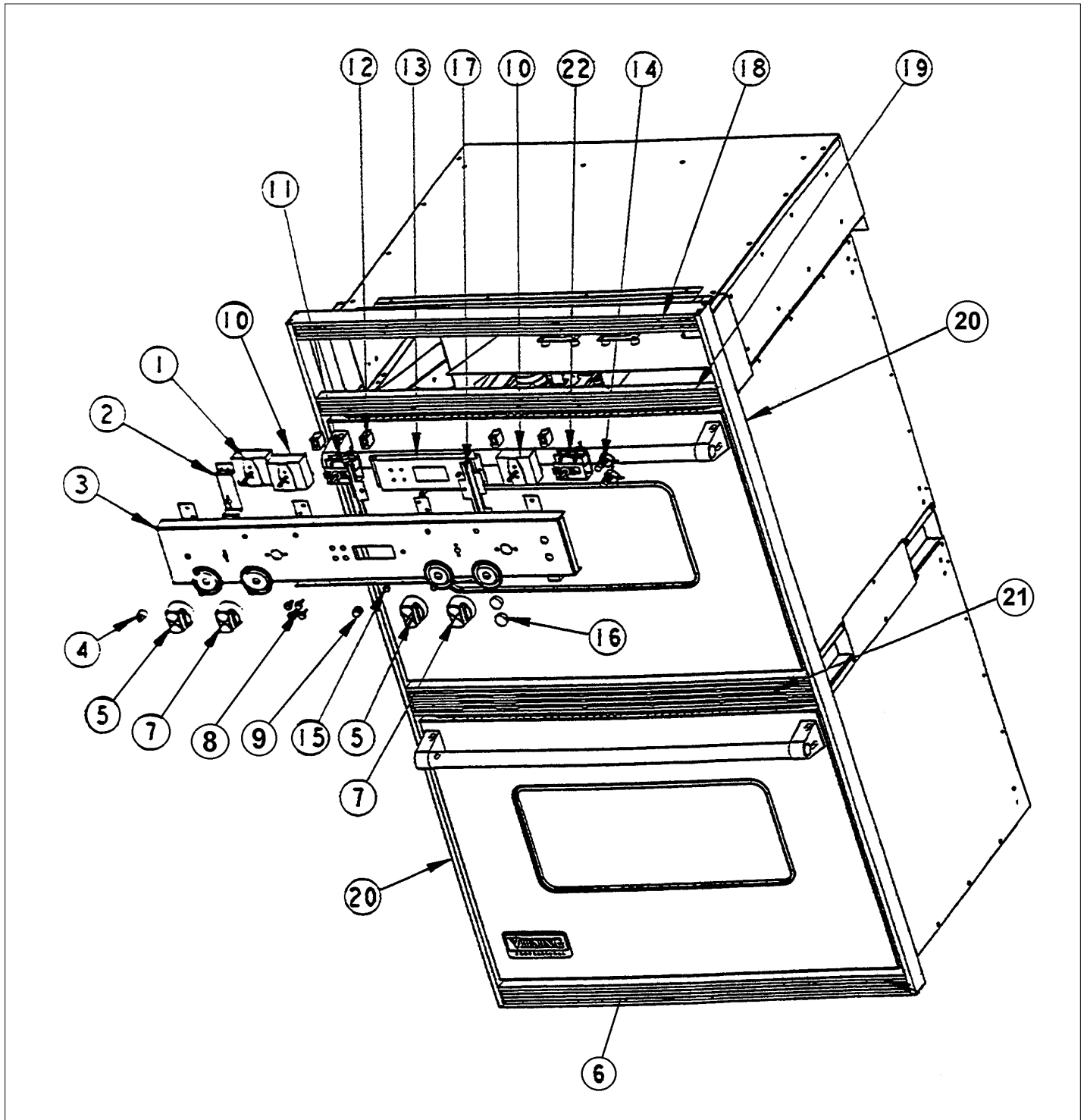
Item	Part No.	Name	Qty	Uom	NOTES
1	E9102908	AIR VENT (VESO/VEDO)	1	EA	NO LONGER AVAILABLE
2	PJ030002	AUTO RESET (SELF-CLEAN) VDSC	1	EA	
3	A2002926	CABINET BACK - VEDO205	1	EA	NO LONGER AVAILABLE
4	A2002906	CABINET SIDE	1	EA	NO LONGER AVAILABLE
5	A2002906	CABINET SIDE	1	EA	NO LONGER AVAILABLE
6	PE110024	MOTOR FAN Y0042226	1	EA	NO LONGER AVAILABLE
7	A2002950	DIVIDER - VESO/VEDO	1	EA	NO LONGER AVAILABLE
8	A2002956	FLOOR BRACE - VEDO205/VESO105	1	EA	NO LONGER AVAILABLE
9	A1002456	THERMO-DISC BRKT (VDSC)	1	EA	
10	PE050053	DR LATCH REPL PE050020	1	EA	
Not Shown	NOTE	(BEFORE 10-1-02)		EA	
10	PE050112	DOOR LATCH	1	EA	
Not Shown	NOTE	(AFTER 10-1-02)		EA	
11	A2002949	FALSE FLOOR - VESO/VEDO	1	EA	NO LONGER AVAILABLE
12	A1002947	FAN COVER - VESO	1	EA	NO LONGER AVAILABLE
13	A2002948	FAN DIVIDER - VESO/VEDO	1	EA	NO LONGER AVAILABLE
14	PJ030005	SWITCH (HIGH-LIMIT) VDSC	1	EA	
15	PJ030006	SWITCH (COOLING FAN)	1	EA	
16	A2002911	FAN MTG BRKT	1	EA	NO LONGER AVAILABLE
17	A2002952	FLOOR BRACE - VESO/VEDO	1	EA	NO LONGER AVAILABLE
18	A2002951	FLOOR SUPT - VESO/VEDO	1	EA	NO LONGER AVAILABLE
19	A1002456	THERMO-DISC BRKT (VDSC)	1	EA	
20	PM010029	RELAY (DOUBLE POLE-DOUBLE THROW)TEM	1	EA	
21	PM010026	RELAY-DBLE POLE/SNGLE THROW	1	EA	



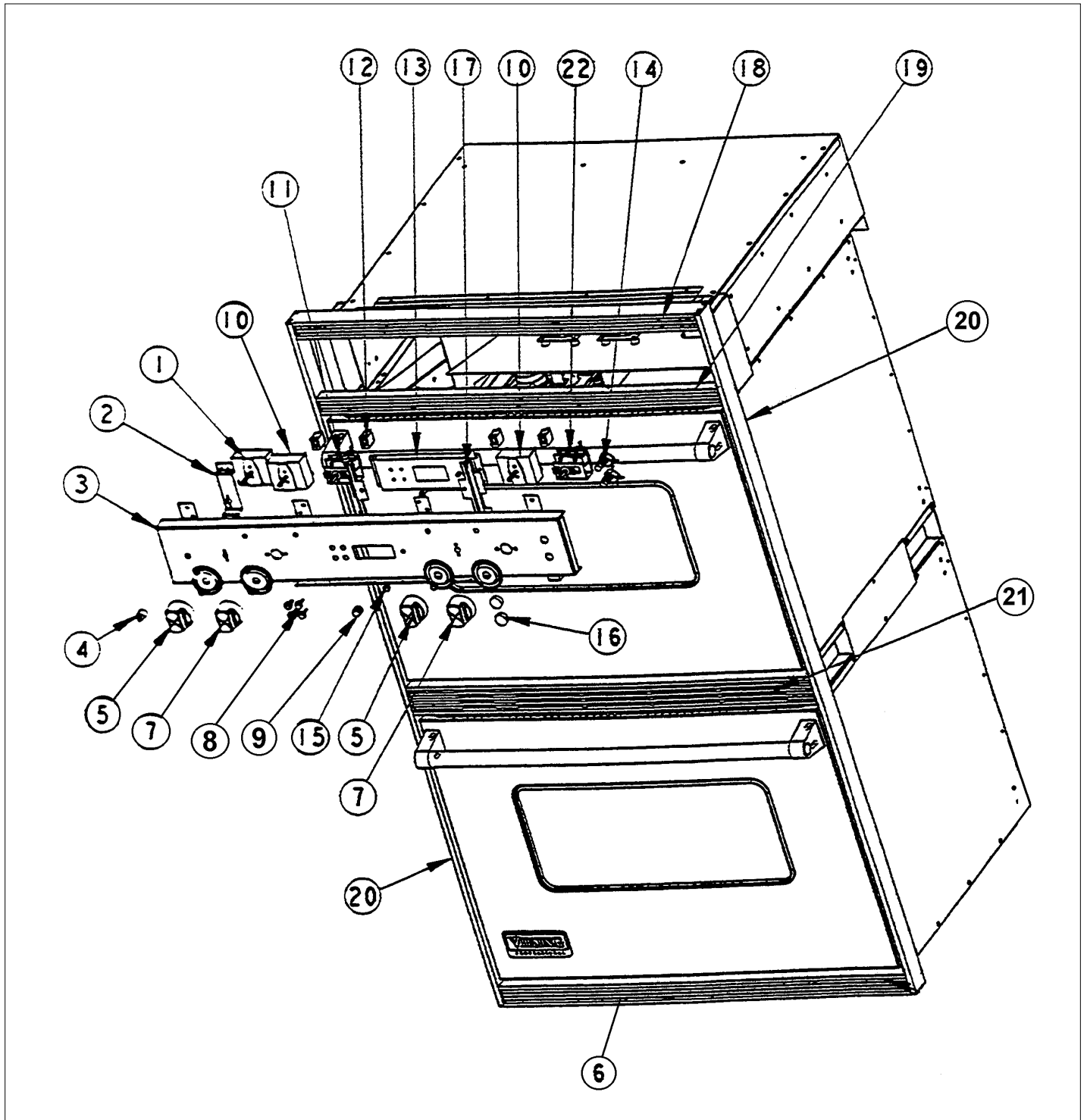


Item	Part No.	Name	Qty	Uom	NOTES
22	PD030033	GROMMET NUT-ROUND HD. #8 X .500DIA.	1	EA	
23	G5002958	SAIL SWITCH ASSY (VESO/VEDO)	1	EA	
24	A2002959	SAIL SWITCH MNTG. BRKT. (VESO/VEDO)	1	EA	
25	PE070148	SELF-CLEAN BOARD/TIMER (VDSC)	1	EA	
26	PE070147	TERMINAL BLOCK	1	EA	
27	A2002964	TOP COVER (VESO105)	1	EA	
28	G3008411	TOP INSULATION RETAINER ASSY	1	EA	
29	A2002909	VENT BTM	1	EA	NO LONGER AVAILABLE
30	A2002910	VENT TOP	1	EA	NO LONGER AVAILABLE
31	A2002954	CABINET COVER	1	EA	NO LONGER AVAILABLE
32	PE110031	BLADE FAN Y0314548	1	EA	NO LONGER AVAILABLE
33	G5007602	PRE-HEAT BOARD KIT (VEDO205/276)	1	EA	
Not Shown	NOTE	(BEFORE 1/16/03)		EA	
Not Shown	PE070308	PRE-HEAT BOARD	1	EA	
Not Shown	NOTE	(AFTER 1/16/03)		EA	
NI	PE070317	VEDO/VESO PREHEAT HARNESS	1	EA	

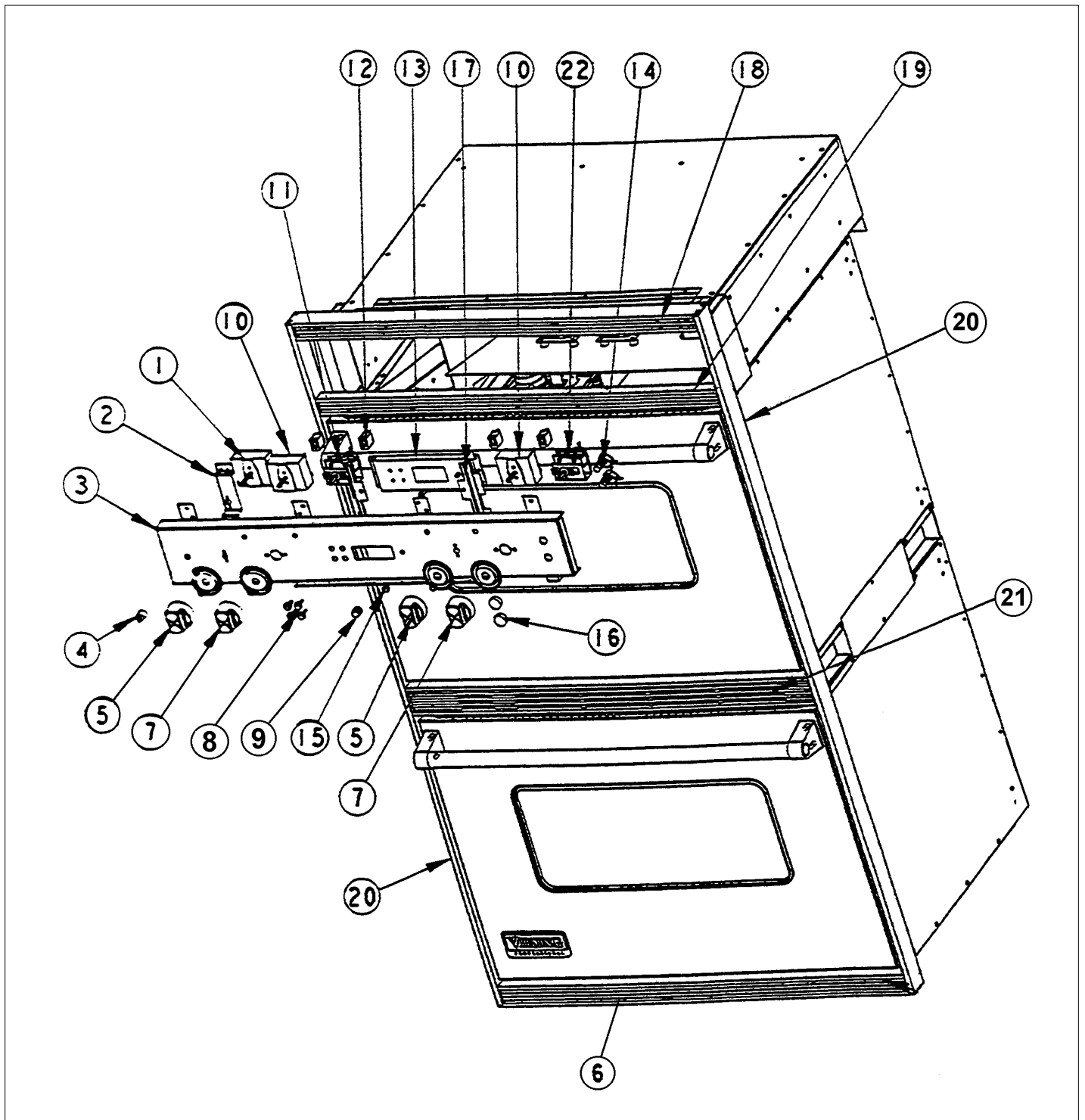
CONTROL PANEL ASSY



Item	Part No.	Name	Qty	Uom	NOTES
1	PJ030010	SELECTOR SWITCH (3-POSITION)VEDO205	1	EA	
2	A2002932	MANUAL TIME BRKT (VEDO/VESO)	1	EA	NO LONGER AVAILABLE
3	B9204535	CONTROL PANEL - SS (OLD STYLE)	1	EA	
Not Shown	NOTE	(BEFORE 02/05/97)		EA	
C920453 5BK	G5004541	VEDO205BK CLOCK CONVERSION KIT	1	EA	NO LONGER AVAILABLE
Not Shown	NOTE	(BEFORE 02/05/97)		EA	
C920453 5WH	G5004540	VEDO205WH CLOCK CONVERSION KIT	1	EA	NO LONGER AVAILABLE
Not Shown	NOTE	(BEFORE 02/05/97)		EA	
Not Shown	B9202924	CTRL PAN *BK* (VEDO205) *SLK SCR*	1	EA	
Not Shown	NOTE	(AFTER 02/05/97)		EA	
C920292 4BK	B9202924	CTRL PAN *BK* (VEDO205) *SLK SCR*	1	EA	
Not Shown	NOTE	(AFTER 02/05/97)		EA	
Not Shown	C9202924WH	CTRL PAN *WH* (VEDO205) *SLK SCR*	1	EA	NO LONGER AVAILABLE
Not Shown	NOTE	(AFTER 02/05/97)		EA	
4	PB010165	TIME MANUAL KNOB *BK* (VESO/VEDO)	1	EA	
Not Shown	PB010166	TIME MANUAL KNOB *WH* (VESO/VEDO)	1	EA	
5	G5004515BK	SELECTOR KNOB ASSY KIT(VEDO205)*BK*	1	EA	
Not Shown	G5004515BKBR	SELECTOR KNOB ASSEMBLY - BKBR	1	EA	
Not Shown	G5004516WH	SELECTOR KNOB ASSY. KIT(VEDO205)*WH	1	EA	
Not Shown	G5004516WHBR	SELECTOR KNOB ASSY KIT(DO205)*WH*BR	1	EA	NO LONGER AVAILABLE
6	PE040074	BTM TRIM-EXTRUDED (VESO105/VEDO2	1	EA	
7	G5004518BK	THERMOSTAT KNOB ASSY (VEDO205) *BK*	1	EA	



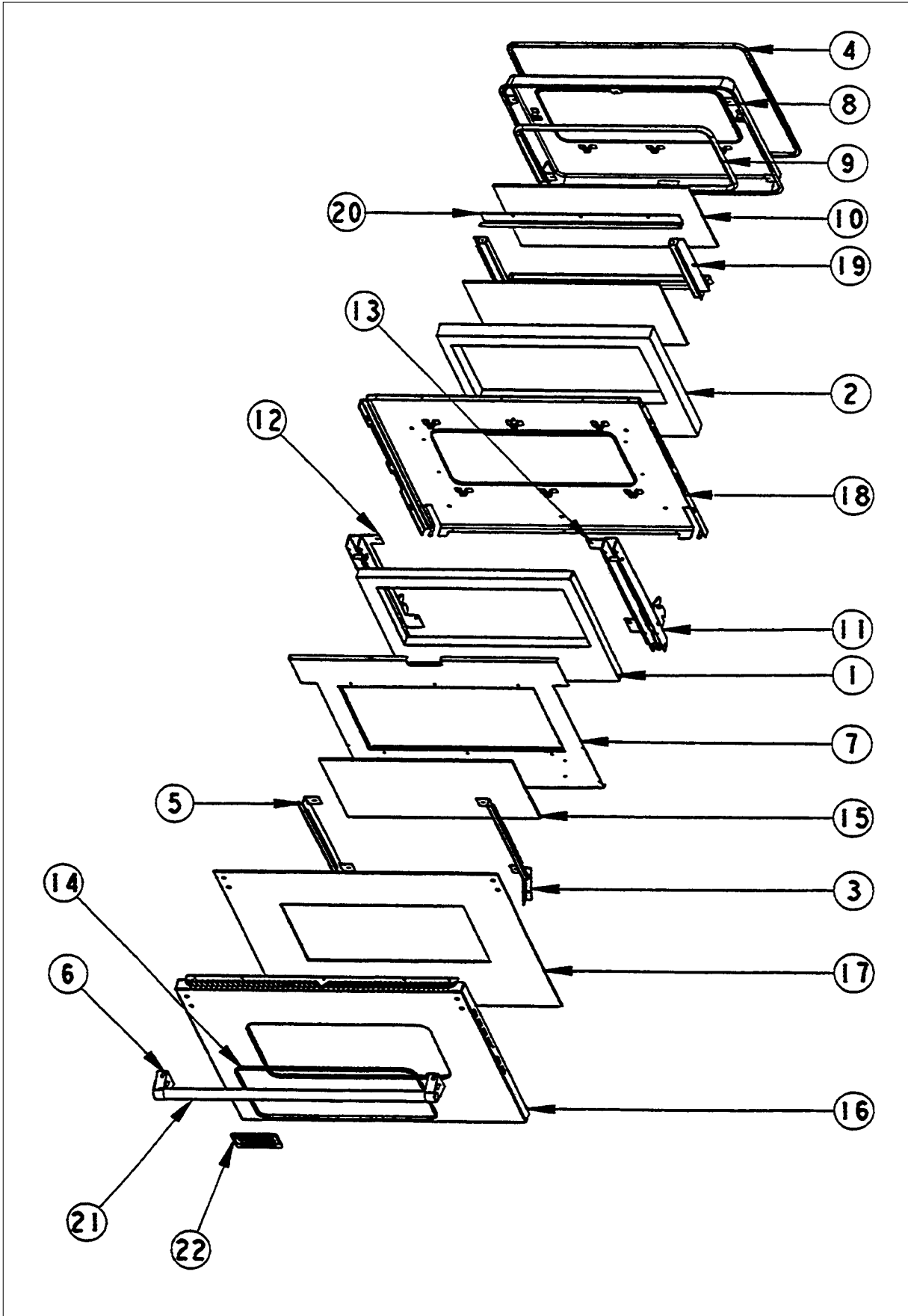
Item	Part No.	Name	Qty	Uom	NOTES
Not Shown	G5004518BKBR	THERMOSTAT KNOB ASSEMBLY - BKBR	1	EA	
Not Shown	G5004518WH	THERMOSTAT KNOB ASSY (VEDO205) *WH*	1	EA	
Not Shown	G5004518WHBR	THERMOSTAT KNOB ASSY(VEDO205)*WHBR*	1	EA	NO LONGER AVAILABLE
8	PB010185BK	CLOCK BUTTON *BK* (VESO/VEDO)	4	EA	NO LONGER AVAILABLE
Not Shown	PB010185	CLOCK BUTTON *WH* (VESO/VEDO)	4	EA	
9	PB010184BK	CLOCK SET KNOB *BK* (VESO/VEDO)	1	EA	
Not Shown	PB010184WH	CLOCK SET KNOBS - WH	1	EA	
10	PJ030001	SELECTOR SWITCH (8-POSITION) VDSC	1	EA	
11	PJ030003	THERMOSTAT (SELF-CLEAN) VDSC	1	EA	
12	PE050024	OVEN IND. LIGHT (LIGHT HOUSING)	1	EA	
13	PE050049	CLOCK/TIMER(ROBERTSHAW# 100-00550-01	1	EA	NO LONGER AVAILABLE
Not Shown	NOTE	(AFTER SERIAL # B04109800901)		EA	
Not Shown	G5004539	CONV. KIT CLOCK	1	EA	NO LONGER AVAILABLE
Not Shown	NOTE	(BEFORE SERIAL # B04109800901)		EA	
Not Shown	G5004540	VEDO205WH CLOCK CONVERSION KIT	1	EA	NO LONGER AVAILABLE
Not Shown	NOTE	(BEFORE SERIAL # B04109800901)		EA	
Not Shown	G5004541	VEDO205BK CLOCK CONVERSION KIT	1	EA	NO LONGER AVAILABLE
Not Shown	NOTE	(BEFORE SERIAL # B04109800901)		EA	
14	PE050019	OVEN LIGHT SWITCH (VGSO166) 90-DEG.	1	EA	
15	PE050023	OVEN IND. LIGHT (LENS & BEZEL)	1	EA	
16	PB010163	IGNITER KNOB	1	EA	
Not Shown	PB010164	OVEN LIGHT SWITCH KNOB *WH* (VESO/D	1	EA	





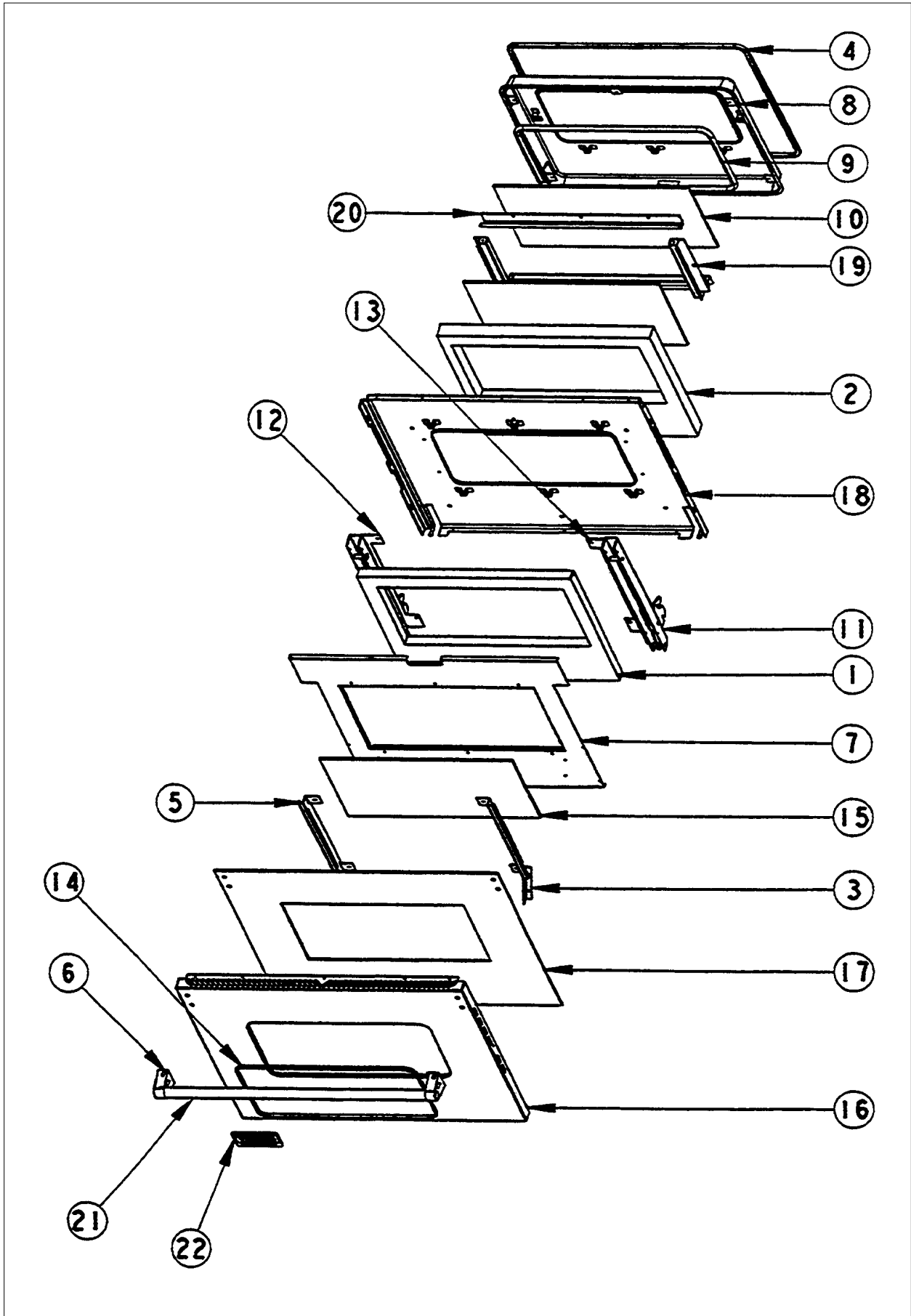
Item	Part No.	Name	Qty	Uom	NOTES
17	A2002913	CLOCK MTG BRKT	1	EA	
18	PE040073	TOP TRIM-EXTRUDED (VESO105/VEDO205)	1	EA	
19	PE040076	PANEL VENT TRIM-EXTRUDED (VESO/VEDO)	1	EA	
20	PE040069	SIDE TRIM-EXTRUDED (VEDO205)	1	EA	NO LONGER AVAILABLE
21	PE040075	CENTER TRIM-EXTRUDED (VEDO205)	1	EA	
22	PJ030012	THERMOSTAT (SELF-CLEAN) VESO/VEDO	1	EA	

DOOR ASSEMBLY



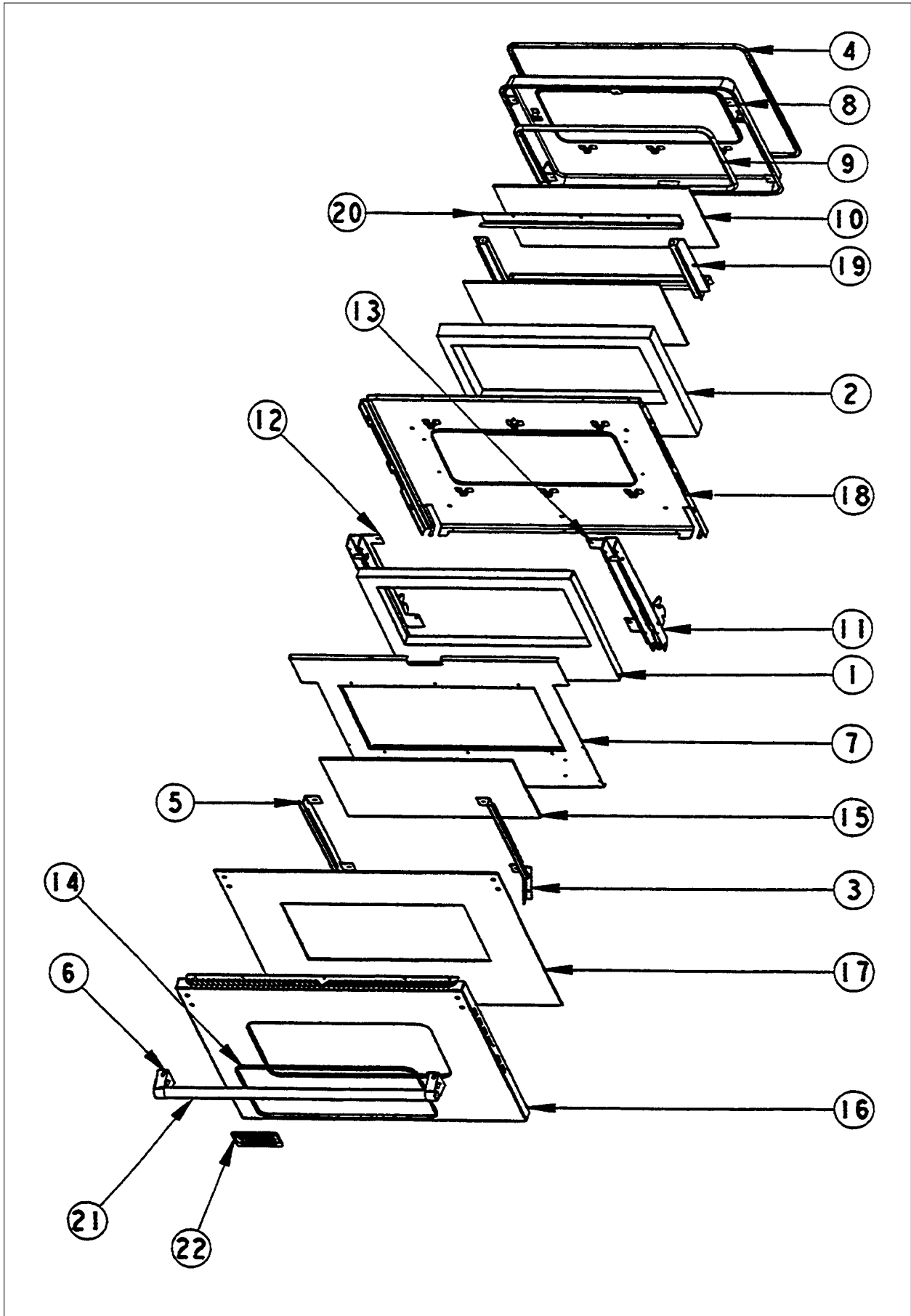


Item	Part No.	Name	Qty	Uom	NOTES
NI	G3202938AL	UPPER DOOR ASSY *AL* (VEDO)	1	EA	NO LONGER AVAILABLE
Not Shown	G3202938ALBR	UPPER DOOR ASSY *AL**BR* (VEDO)	1	EA	NO LONGER AVAILABLE
Not Shown	G3202938BK	UPPER DOOR ASSY *BK* (VEDO)	1	EA	NO LONGER AVAILABLE
Not Shown	G3202938BKBR	UPPER DOOR ASSY *BK*BR* (VEDO)	1	EA	NO LONGER AVAILABLE
Not Shown	G3202938BT	UPPER DOOR ASSY *BT* (VEDO)	1	EA	NO LONGER AVAILABLE
Not Shown	G3202938BTBR	UPPER DOOR ASSY *BT**BR* (VEDO)	1	EA	NO LONGER AVAILABLE
Not Shown	G3202938BU	UPPER DOOR ASSY *BU* (VEDO)	1	EA	NO LONGER AVAILABLE
Not Shown	G3202938BUBR	UPPER DOOR ASSY *BU**BR* (VEDO)	1	EA	NO LONGER AVAILABLE
Not Shown	G3202938CB	UPPER DOOR ASSY *CB* (VEDO)	1	EA	NO LONGER AVAILABLE
Not Shown	G3202938CBBR	UPPER DOOR ASSY *CB**BR* (VEDO)	1	EA	NO LONGER AVAILABLE
Not Shown	G3202938EP	UPPER DOOR ASSY *EP* (VEDO)	1	EA	NO LONGER AVAILABLE
Not Shown	G3202938EPBR	UPPER DOOR ASSY *EP**BR* (VEDO)	1	EA	NO LONGER AVAILABLE
Not Shown	G3202938FG	UPPER DOOR ASSY *FG* (VEDO)	1	EA	NO LONGER AVAILABLE
Not Shown	G3202938FGBR	UPPER DOOR ASSY *FG**BR* (VEDO)	1	EA	NO LONGER AVAILABLE
Not Shown	G3202938GG	UPPER DOOR ASSY *GG* (VEDO)	1	EA	NO LONGER AVAILABLE
Not Shown	G3202938GGBR	UPPER DOOR ASSY *GG*BR* (VEDO)	1	EA	NO LONGER AVAILABLE
Not Shown	G3202938LE	UPPER DOOR ASSY *LE* (VEDO)	1	EA	NO LONGER AVAILABLE
Not Shown	G3202938LEBR	UPPER DOOR ASSY *LE**BR* (VEDO)	1	EA	NO LONGER AVAILABLE
Not Shown	G3202938LN	UPPER DOOR ASSY *LN* (VEDO)	1	EA	NO LONGER AVAILABLE
Not Shown	G3202938LNBR	UPPER DOOR ASSY *LN*BR* (VEDO)	1	EA	NO LONGER AVAILABLE
Not Shown	G3202938MJ	UPPER DOOR ASSY *MJ* (VEDO)	1	EA	NO LONGER AVAILABLE
Not Shown	G3202938MJBR	UPPER DOOR ASSY *MJ**BR* (VEDO)	1	EA	NO LONGER AVAILABLE



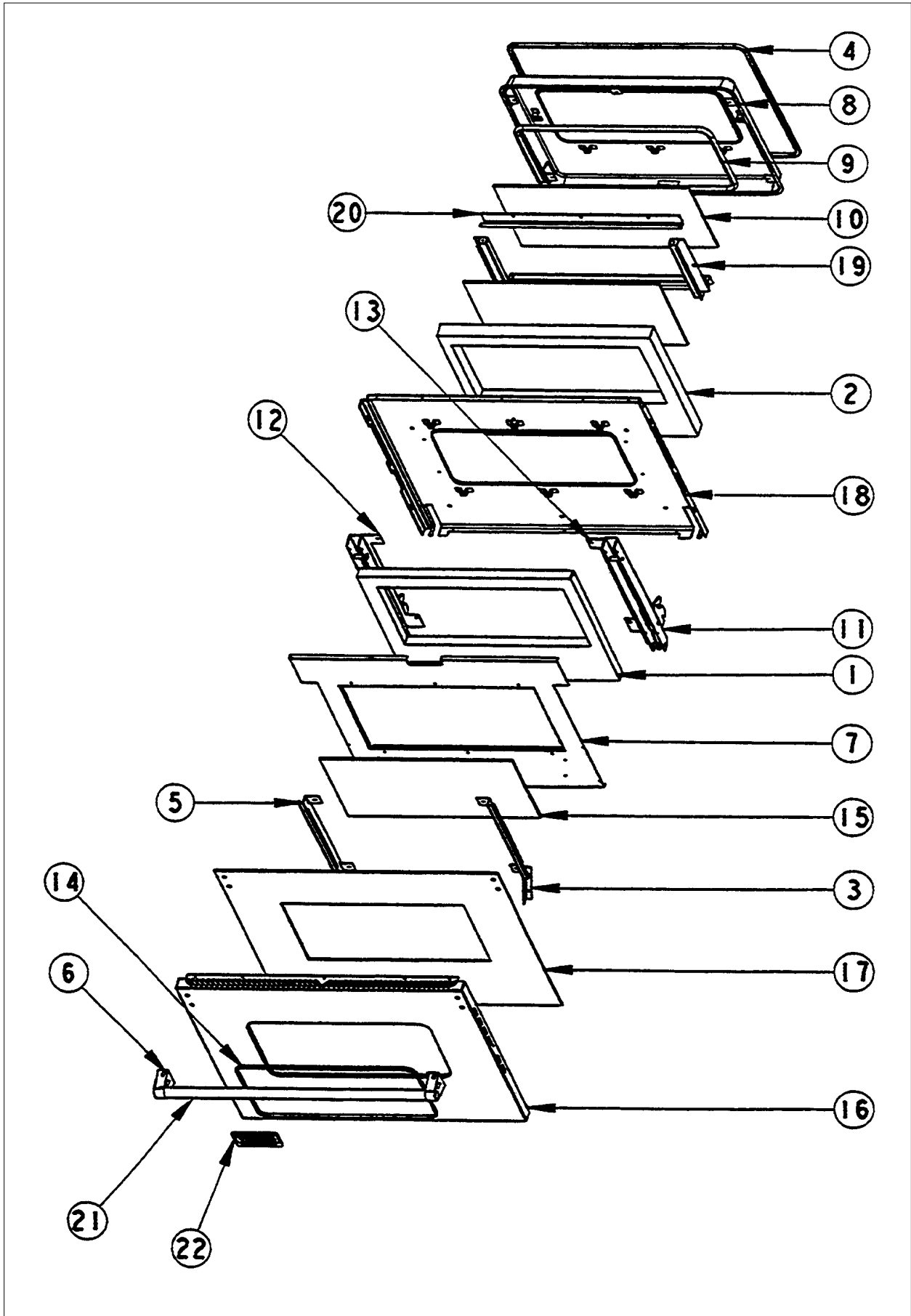


Item	Part No.	Name	Qty	Uom	NOTES
Not Shown	G3202938PL	UPPER DOOR ASSY *PL* (VEDO)	1	EA	NO LONGER AVAILABLE
Not Shown	G3202938PLBR	UPPER DOOR ASSY *PL**BR* (VEDO)	1	EA	NO LONGER AVAILABLE
Not Shown	G3202938SG	UPPER DOOR ASSY *SG* (VEDO)	1	EA	NO LONGER AVAILABLE
Not Shown	G3202938SGBR	UPPER DOOR ASSY *SG**BR* (VEDO)	1	EA	NO LONGER AVAILABLE
Not Shown	G3202938SS	UPPER DOOR ASSY *SS* (VEDO)	1	EA	NO LONGER AVAILABLE
Not Shown	G3202938SSBR	UPPER DOOR ASSY *SS**BR* (VEDO)	1	EA	NO LONGER AVAILABLE
Not Shown	G3202938VB	UPPER DOOR ASSY *VB* (VEDO)	1	EA	NO LONGER AVAILABLE
Not Shown	G3202938VBBR	UPPER DOOR ASSY *VB**BR* (VEDO)	1	EA	NO LONGER AVAILABLE
Not Shown	G3202938WH	UPPER DOOR ASSY *WH* (VEDO)	1	EA	NO LONGER AVAILABLE
Not Shown	G3202938WHBR	UPPER DOOR ASSY *WH**BR* (VEDO)	1	EA	NO LONGER AVAILABLE
Not Shown	G3202937AL	DOOR ASSY *AL* (VESO/VEDO)	1	EA	NO LONGER AVAILABLE
Not Shown	G3202937ALBR	DOOR ASSY *AL**BR* (VESO/VEDO)	1	EA	NO LONGER AVAILABLE
Not Shown	G3202937BK	DOOR ASSY *BK* (VESO/VEDO)	1	EA	NO LONGER AVAILABLE
Not Shown	G3202937BKBR	DOOR ASSY *BK**BR* (VESO/VEDO)	1	EA	NO LONGER AVAILABLE
Not Shown	G3202937BT	DOOR ASSY *BT* (VESO/VEDO)	1	EA	NO LONGER AVAILABLE
Not Shown	G3202937BTBR	DOOR ASSY *BT**BR* (VESO/VEDO)	1	EA	NO LONGER AVAILABLE
Not Shown	G3202937BU	DOOR ASSY *BU* (VESO/VEDO)	1	EA	NO LONGER AVAILABLE
Not Shown	G3202937BUBR	DOOR ASSY *BU**BR* (VESO/VEDO)	1	EA	NO LONGER AVAILABLE
Not Shown	G3202937CB	DOOR ASSY *CB* (VESO/VEDO)	1	EA	NO LONGER AVAILABLE
Not Shown	G3202937CBBR	DOOR ASSY *CB**BR* (VESO/VEDO)	1	EA	NO LONGER AVAILABLE
Not Shown	G3202937EP	DOOR ASSY *EP* (VESO/VEDO)	1	EA	NO LONGER AVAILABLE
Not Shown	G3202937EPBR	DOOR ASSY *EP**BR* (VESO/VEDO)	1	EA	NO LONGER AVAILABLE



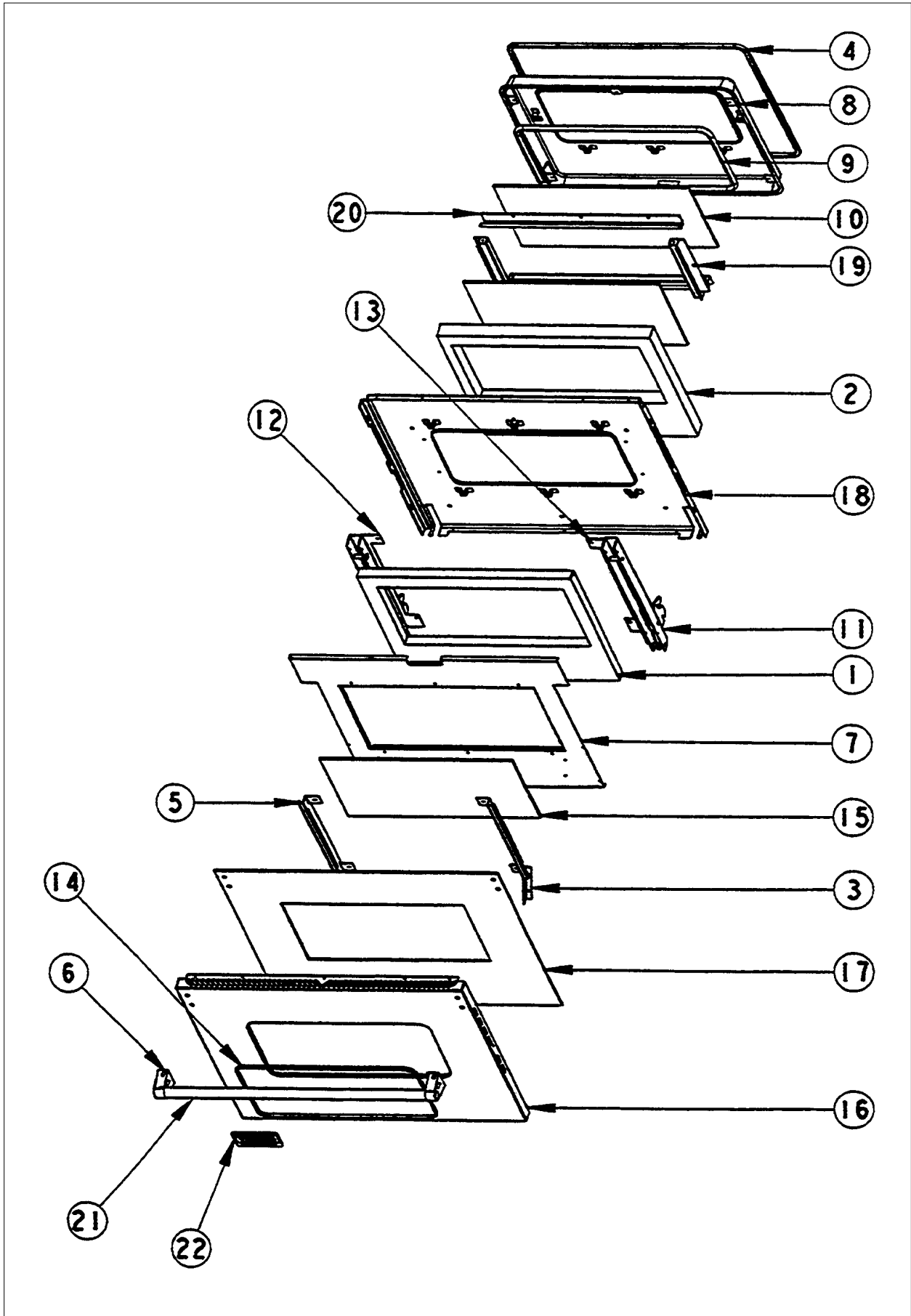


Item	Part No.	Name	Qty	Uom	NOTES
Not Shown	G3202937FG	DOOR ASSY *FG* (VESO/VEDO)	1	EA	NO LONGER AVAILABLE
Not Shown	G3202937FGBR	DOOR ASSEMBLY - FGBR	1	EA	
Not Shown	G3202937GG	DOOR ASSY *GG* (VESO/VEDO)	1	EA	NO LONGER AVAILABLE
Not Shown	G3202937GGBR	DOOR ASSY *GG*BR* (VESO/VEDO)	1	EA	NO LONGER AVAILABLE
Not Shown	G3202937LE	DOOR ASSY *LE* (VESO/VEDO)	1	EA	NO LONGER AVAILABLE
Not Shown	G3202937LEBR	DOOR ASSY *LE**BR* (VESO/VEDO)	1	EA	NO LONGER AVAILABLE
Not Shown	G3202937LN	DOOR ASSY *LN* (VESO/VEDO)	1	EA	NO LONGER AVAILABLE
Not Shown	G3202937LNBR	DOOR ASSEMBLY - LNBR	1	EA	
Not Shown	G3202937MJ	DOOR ASSY *MJ* (VESO/VEDO)	1	EA	NO LONGER AVAILABLE
Not Shown	G3202937MJBR	DOOR ASSY *MJ**BR* (VESO/VEDO)	1	EA	NO LONGER AVAILABLE
Not Shown	G3202937PL	DOOR ASSY *PL* (VESO/VEDO)	1	EA	NO LONGER AVAILABLE
Not Shown	G3202937PLBR	DOOR ASSY *PL**BR* (VESO/VEDO)	1	EA	NO LONGER AVAILABLE
Not Shown	G3202937SG	DOOR ASSY *SG* (VESO/VEDO)	1	EA	NO LONGER AVAILABLE
Not Shown	G3202937SGBR	DOOR ASSY *SG**BR* (VESO/VEDO)	1	EA	NO LONGER AVAILABLE
Not Shown	G3202937SS	DOOR ASSY *SS* (VESO/VEDO)	1	EA	
Not Shown	G3202937SSBR	DOOR ASSY *SS**BR* (VESO/VEDO)	1	EA	NO LONGER AVAILABLE
Not Shown	G3202937VB	DOOR ASSY *VB* (VESO/VEDO)	1	EA	NO LONGER AVAILABLE
Not Shown	G3202937VBBR	DOOR ASSY *VB**BR*(VESO/VEDO)	1	EA	NO LONGER AVAILABLE
Not Shown	G3202937WH	DOOR ASSY *WH* (VESO/VEDO)	1	EA	NO LONGER AVAILABLE
Not Shown	G3202937WHBR	DOOR ASSY *WH**BR* (VESO/VEDO) WH/B	1	EA	NO LONGER AVAILABLE
1	PB070034	INSULATION 1" X 24"	1	EA	
2	PB070038	TRS-10 2" X 24" X 3' INSULATION	1	EA	



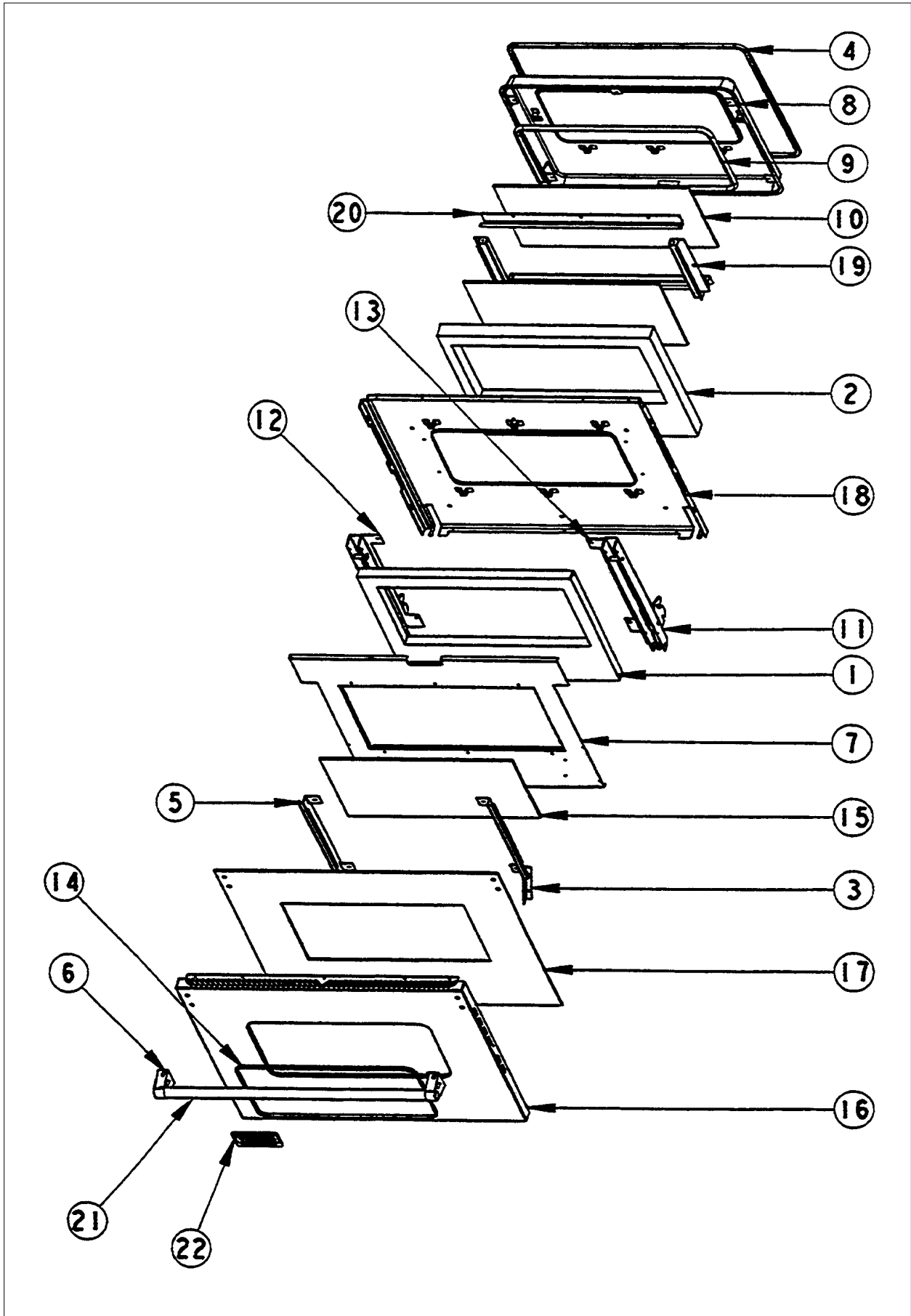


Item	Part No.	Name	Qty	Uom	NOTES
3	A2002497	DOOR GUIDE ANGLE VDSC	1	EA	
4	000623-000	SUB TO 000623-000 - DOOR GASKET(3/8"DIA.) (VDSC)	1	EA	
5	A2002367	DOOR GLASS BRKT	1	EA	
6	PE030001	BRACKET, DOOR, HANDLE	1	EA	
Comments for Part Num. PE030001					
gboltz@VikingRange.com on Jun 11, 2015					
This is a test by George Boltz 6/11/15					
Not Shown	PE030001PVD	END CAP DOOR HANDLE *BR	1	EA	
7	A2002930	DOOR INSUL. RET. FORMED	1	EA	
8	G50010123	VESO105/VEDO205 DR LINER SVC-KIT	1	EA	
9	PB070040	FIBERGLASS ROPE	1	EA	
10	PE060039	GLASS-HEAT TREATED (HB2) VDSC	1	EA	
11	PC020188	DOOR HINGE	1	EA	
12	A2002960	HINGE BRACKET - LH (VEDO/VESO)	1	EA	
13	A2002962	HINGE BRACKET - RH (VEDO/VESO)	1	EA	
14	PE060031	J-MOLD (LARGE WINDOW)	1	EA	
Not Shown	PE060045	J-MOLD (LARGE WINDOW) *BR*	1	EA	
15	PE060030	GLASS-OUTER DOOR BK SCREENED,TEMP	1	EA	
16	B2002940	O/S DOOR PANEL *SS* (VEDO205)	1	EA	
Not Shown	B2002931	O/S DOOR PANEL *SS* (VEDO/VESO)	1	EA	
Not Shown	C9002940AL	O/S DOOR PANEL *AL* (VEDO)	1	EA	NO LONGER AVAILABLE
Not Shown	C9002940BK	O/S DOOR PANEL *BK* (VEDO)	1	EA	NO LONGER AVAILABLE
Not Shown	C9002940BT	O/S DOOR PANEL *BT* (VEDO)	1	EA	NO LONGER AVAILABLE
Not Shown	C9002940BU	O/S DOOR PANEL *BU* (VEDO)	1	EA	NO LONGER AVAILABLE





Item	Part No.	Name	Qty	Uom	NOTES
Not Shown	C9002940CB	O/S DOOR PANEL *CB* (VEDO)	1	EA	NO LONGER AVAILABLE
Not Shown	C9002940EP	O/S DOOR PANEL *EP* (VEDO)	1	EA	NO LONGER AVAILABLE
Not Shown	C9002940FG	O/S DOOR PANEL *FG* (VEDO)	1	EA	NO LONGER AVAILABLE
Not Shown	C9002940GG	O/S DOOR PANEL *GG* (VEDO)	1	EA	NO LONGER AVAILABLE
Not Shown	C9002940LE	O/S DOOR PANEL *LE* (VEDO)	1	EA	NO LONGER AVAILABLE
Not Shown	C9002940LN	O/S DOOR PANEL *LN* (VEDO)	1	EA	NO LONGER AVAILABLE
Not Shown	C9002940MJ	O/S DOOR PANEL *MJ* (VEDO)	1	EA	NO LONGER AVAILABLE
Not Shown	C9002940PL	O/S DOOR PANEL *PL* (VEDO)	1	EA	NO LONGER AVAILABLE
Not Shown	C9002940SG	O/S DOOR PANEL *SG* (VEDO)	1	EA	NO LONGER AVAILABLE
Not Shown	C9002940VB	O/S DOOR PANEL *VB* (VEDO)	1	EA	NO LONGER AVAILABLE
Not Shown	C9002940WH	O/S DOOR PANEL *WH* (VEDO)	1	EA	NO LONGER AVAILABLE
Not Shown	C9002931AL	O/S DOOR PANEL *AL* (VEDO/MESO)	1	EA	NO LONGER AVAILABLE
Not Shown	C9002931BK	O/S DOOR PANEL *BK* (VEDO/MESO)	1	EA	
Not Shown	C9002931BT	O/S DOOR PANEL *BT* (VEDO/MESO)	1	EA	NO LONGER AVAILABLE
Not Shown	C9002931BU	O/S DOOR PANEL *BU* (VEDO/MESO)	1	EA	NO LONGER AVAILABLE
Not Shown	C9002931CB	O/S DOOR PANEL *CB* (VEDO/MESO)	1	EA	NO LONGER AVAILABLE
Not Shown	C9002931EP	O/S DOOR PANEL *EP* (VEDO/MESO)	1	EA	NO LONGER AVAILABLE
Not Shown	C9002931FG	O/S DOOR PANEL *FG* (VEDO/MESO)	1	EA	NO LONGER AVAILABLE
Not Shown	C9002931GG	O/S DOOR PANEL *GG* (VEDO/MESO)	1	EA	NO LONGER AVAILABLE
Not Shown	C9002931LE	O/S DOOR PANEL *LE* (VEDO/MESO)	1	EA	NO LONGER AVAILABLE
Not Shown	C9002931LN	O/S DOOR PANEL *LN* (VEDO/MESO)	1	EA	NO LONGER AVAILABLE
Not Shown	C9002931MJ	O/S DOOR PANEL *MJ* (VEDO/MESO)	1	EA	NO LONGER AVAILABLE

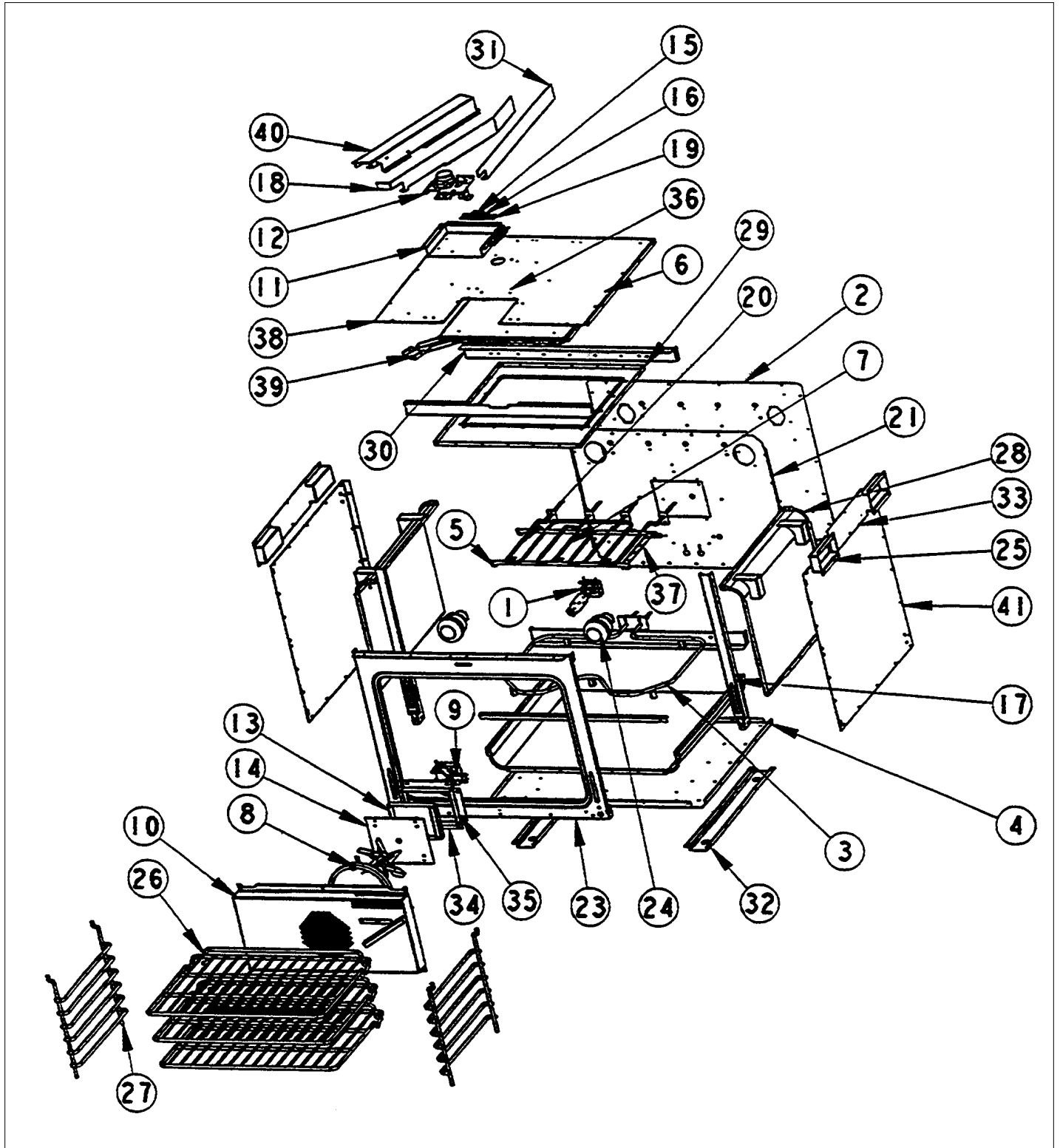




Item	Part No.	Name	Qty	Uom	NOTES
Not Shown	C9002931PL	O/S DOOR PANEL *PL* (VEDO/VESO)	1	EA	NO LONGER AVAILABLE
Not Shown	C9002931SG	O/S DOOR PANEL *SG* (VEDO/VESO)	1	EA	
Not Shown	C9002931VB	O/S DOOR PANEL *VB* (VEDO/VESO)	1	EA	NO LONGER AVAILABLE
Not Shown	C9002931WH	O/S DOOR PANEL *WH* (VEDO/VESO)	1	EA	NO LONGER AVAILABLE
17	J1002939	OVEN DR HEAT SINK (VESO/DO)	1	EA	
18	G50010123	VESO105/VEDO205 DR LINER SVC-KIT	1	EA	
19	E9102179	WINDOW LINER-SIDE (VDSC)	1	EA	
20	E9102178	WINDOW LINER-TOP/BTM (VDSC)	1	EA	
21	F0002944SS	DOOR HANDLE - SS	1	EA	
Not Shown	F0002944BR	DOOR HANDLE-VEDO/VESO (CUT-TO-SIZE)	1	EA	NO LONGER AVAILABLE
22	PE010016	NAMEPLATE, LOGO, PRO	1	EA	
Not Shown	PE010017	LOGO (VGSO,VEDO,VGDO,VUD) *WH/CHR	1	EA	
Not Shown	PE010079	4.5" LOGO/VIKING PROF, BK/BR	1	EA	
Not Shown	PE010080	4.5" LOGO/VIKING PROF *WH/BR	1	EA	
NI	B1009167	HINGE CLIP	1	EA	
NI	PE060064	WINDOW PACK, SELF CLEANING OVEN 30"	1	EA	



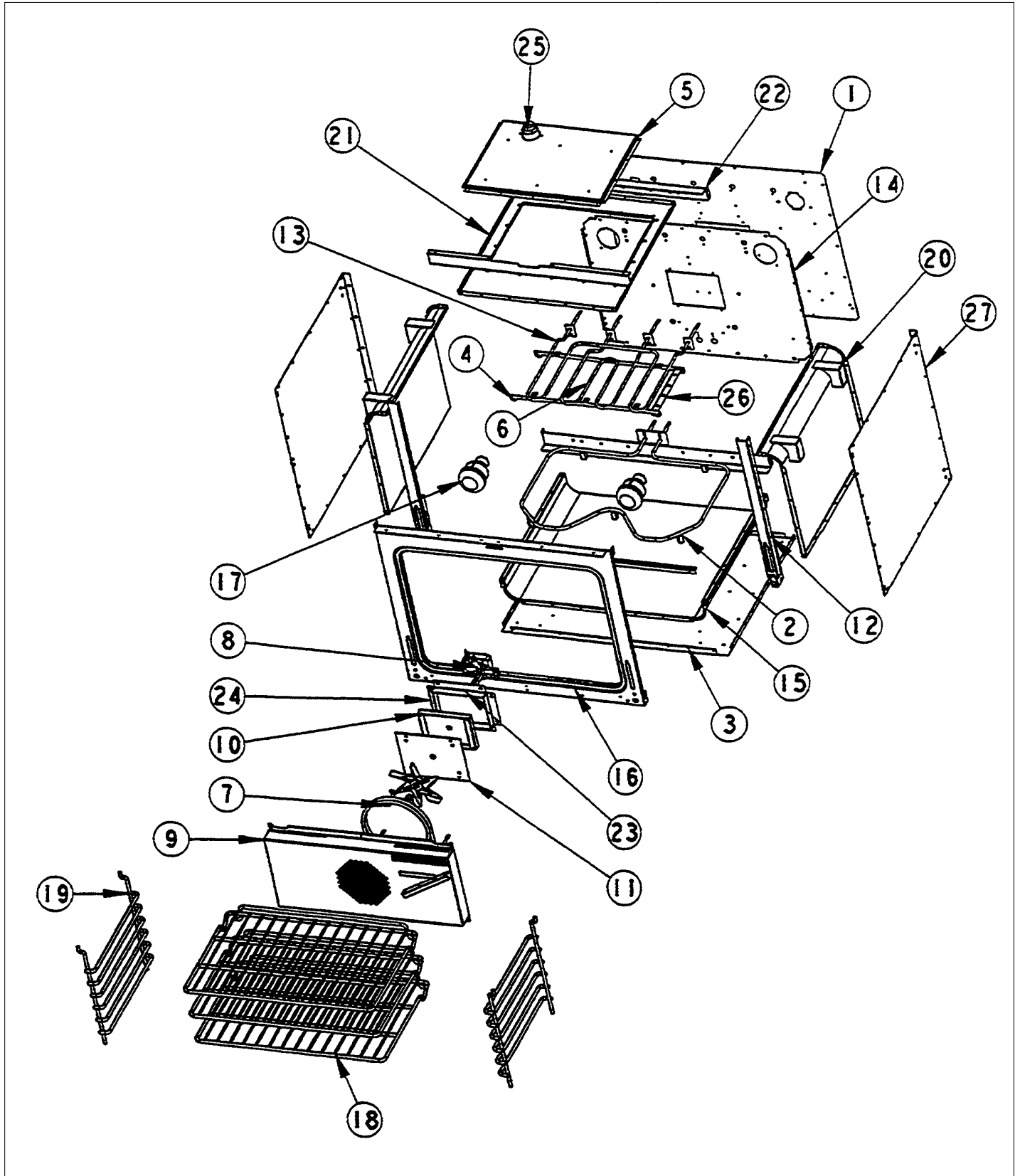
Item	Part No.	Name	Qty	Uom	NOTES
1	PJ030002	AUTO RESET (SELF-CLEAN) VDSC	1	EA	
2	A1002905	BACK INSULATION RETAINER - VESO/VEDO	1	EA	NO LONGER AVAILABLE
3	PJ010004	BAKE ELEMENT (VDSC) 240V	1	EA	
4	A2002961	BOTTOM INSULATION RETAINER(VEDO/SO)	1	EA	NO LONGER AVAILABLE
5	B2002185	BROIL ELEMENT BRKT (VDSC)	1	EA	
6	B2002167	BROILER TOP (VDSC)	1	EA	NO LONGER AVAILABLE
7	PJ010001	BROIL ELEMENT 240V	1	EA	
8	PJ010003	CONVECTION ELEMENT (VDSC) 240V	1	EA	
9	PE050005	CONVECTION FAN ASSY	1	EA	
10	G9102749	CONVECTION FAN COVER ASSY (VDSC30)	1	EA	NO LONGER AVAILABLE
11	A2002168	DOOR LATCH BRKT (VDSC)	1	EA	
12	PE050053	DR LATCH REPL PE050020	1	EA	
Not Shown	NOTE	(BEFORE 10-1-02)		EA	
Not Shown	PE050112	DOOR LATCH	1	EA	
Not Shown	NOTE	(AFTER 10-1-02)		EA	
13	A2002595	CONVECTION FAN BOX (VDSC)	1	EA	
14	A1002596	CONVECTION FAN COVER (VDSC)	1	EA	
15	PJ030005	SWITCH (HIGH-LIMIT) VDSC	1	EA	
16	PJ030006	SWITCH (COOLING FAN)	1	EA	
17	PC020016	HINGE RECEIVER (VEDO/VEDO)	1	EA	
18	A2002920	LEFT AIR CHANNEL	1	EA	NO LONGER AVAILABLE
19	A1002456	THERMO-DISC BRKT (VDSC)	1	EA	
20	PJ010002	BROIL ELEMENT(MAXI)-SIDE (VDSC)240V	1	EA	
21	E9102741	OVEN BACK (VDSC30)	1	EA	NO LONGER AVAILABLE
22	E9102152	OVEN BTM (VDSC)	1	EA	NO LONGER AVAILABLE





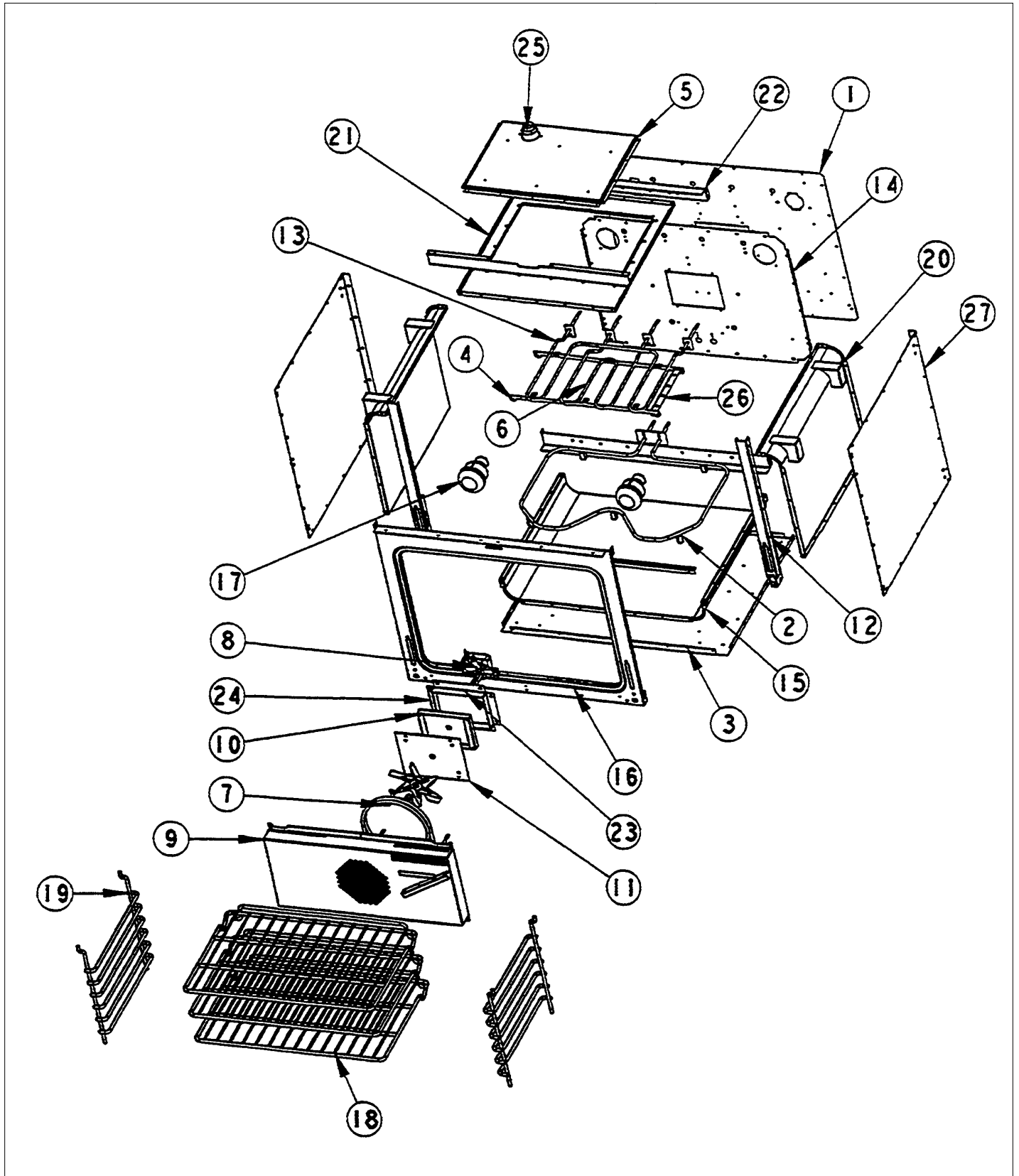
Item	Part No.	Name	Qty	Uom	NOTES
23	G9102901	OVEN FRONT FRAME ASSY (VEDO/VESO)	1	EA	NO LONGER AVAILABLE
24	031449-000	LAMP, ASM	1	EA	
25	A2002919	OVEN MOUNTING BRKT	1	EA	NO LONGER AVAILABLE
26	PB060044	OVEN RACK	1	EA	
27	PB060030	OVEN RACK SUPPORT	1	EA	
28	G9102736	OVEN SIDE ASSEMBLY	1	EA	
29	E9102153	OVEN TOP (VDSC)	1	EA	NO LONGER AVAILABLE
30	A2002158	REAR OVEN SUPT (VDSC)	1	EA	NO LONGER AVAILABLE
31	A2002921	RIGHT AIR CHANNEL	1	EA	NO LONGER AVAILABLE
32	A2002902	RUNNER	1	EA	NO LONGER AVAILABLE
33	A1002953	SIDE COVER - VESO/VEDO	1	EA	NO LONGER AVAILABLE
34	A2001745	UPPER/LOWER FAN INSUL. SHIELD	1	EA	
35	A2001746	FAN INSULATION SHIELD - SIDE	1	EA	
36	PM010014	SMOKE ELIMINATOR (VDSC)	1	EA	
37	B2002489	THERMAL BULB SHIELD (VDSC)	1	EA	
38	A2002923	OVEN TOP INSUL. RET.	1	EA	NO LONGER AVAILABLE
39	A2002909	VENT BTM	1	EA	NO LONGER AVAILABLE
40	A2002910	VENT TOP	1	EA	NO LONGER AVAILABLE
41	A2002904	SIDE INSULATION RETAINER	1	EA	NO LONGER AVAILABLE

UPPER OVEN





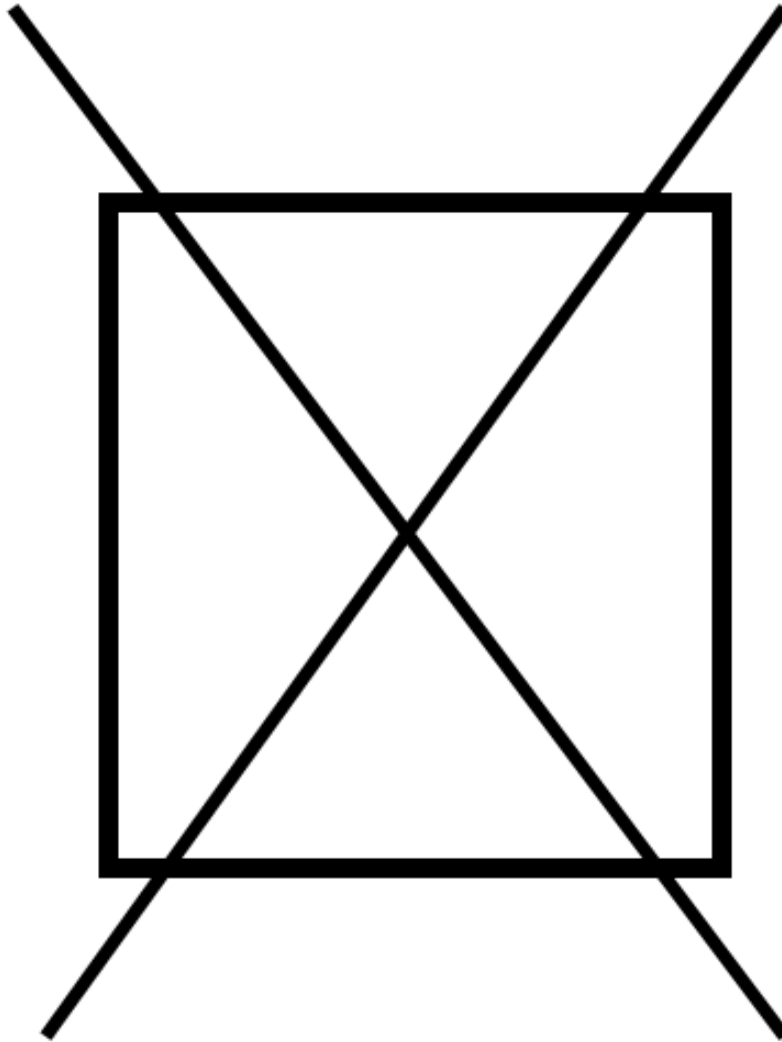
Item	Part No.	Name	Qty	Uom	NOTES
1	A1002905	BACK INSULATION RETAINER - VESO/VEDO	1	EA	NO LONGER AVAILABLE
2	PJ010004	BAKE ELEMENT (VDSC) 240V	1	EA	
3	A2002961	BOTTOM INSULATION RETAINER(VEDO/SO)	1	EA	NO LONGER AVAILABLE
4	B2002185	BROIL ELEMENT BRKT (VDSC)	1	EA	
5	B2002167	BROILER TOP (VDSC)	1	EA	NO LONGER AVAILABLE
6	PJ010001	BROIL ELEMENT 240V	1	EA	
7	PJ010003	CONVECTION ELEMENT (VDSC) 240V	1	EA	
8	PE050005	CONVECTION FAN ASSY	1	EA	
9	G9102749	CONVECTION FAN COVER ASSY (VDSC30)	1	EA	NO LONGER AVAILABLE
10	A2002595	CONVECTION FAN BOX (VDSC)	1	EA	
11	A1002596	CONVECTION FAN COVER (VDSC)	1	EA	
12	PC020016	HINGE RECEIVER (VEDO/VEDO)	1	EA	
13	PJ010002	BROIL ELEMENT(MAXI)-SIDE (VDSC)240V	1	EA	
14	E9102741	OVEN BACK (VDSC30)	1	EA	NO LONGER AVAILABLE
15	E9102152	OVEN BTM (VDSC)	1	EA	NO LONGER AVAILABLE
16	G9102901	OVEN FRONT FRAME ASSY (VEDO/VESO)	1	EA	NO LONGER AVAILABLE
17	031449-000	LAMP, ASM	1	EA	
18	PB060044	OVEN RACK	1	EA	
19	PB060030	OVEN RACK SUPPORT	1	EA	
20	G9102736	OVEN SIDE ASSEMBLY	1	EA	
21	E9102153	OVEN TOP (VDSC)	1	EA	NO LONGER AVAILABLE
22	A2002158	REAR OVEN SUPT (VDSC)	1	EA	NO LONGER AVAILABLE
23	A2001745	UPPER/LOWER FAN INSUL. SHIELD	1	EA	
24	A2001746	FAN INSULATION SHIELD - SIDE	1	EA	
25	PM010014	SMOKE ELIMINATOR (VDSC)	1	EA	





Item	Part No.	Name	Qty	Uom	NOTES
26	B2002489	THERMAL BULB SHIELD (VDSC)	1	EA	
27	A2002904	SIDE INSULATION RETAINER	1	EA	NO LONGER AVAILABLE

NON
ILLUSTRATED PART





Item	Part No.	Name	Qty	Uom	NOTES
NI	PE070190	HARNESS-VESO/VEDO	1	EA	NO LONGER AVAILABLE
NI	PE070191	HARNESS-VESO/VEDO	1	EA	
NI	PE070192	HARNESS-VEDO205	1	EA	NO LONGER AVAILABLE
NI	PE070193	HARNESS-VEDO205	1	EA	NO LONGER AVAILABLE
NI	PE070208	.250 SPLIT MALE CONNECTOR	2	EA	
NI	G4002968	BLACK JUMPER	1	EA	NO LONGER AVAILABLE
NI	G4005499	SUPPLY WIRE - 100" RED 10GA SO/DO	1	EA	
NI	G4005496	SUPPLY WIRE - 100" BK 10GA SO/DO	1	EA	
NI	G4005497	SUPPLY WIRE - 100" GREEN 10GA SO/DO	2	EA	
NI	G4007449	SAILSWITCH BYPASS WIRE (VESO/VEDO)	4	EA	NO LONGER AVAILABLE
NI	G4007448	FAN SWITCH JUMPER WIRE (VESO/VEDO)	1	EA	NO LONGER AVAILABLE



Appendix B:Parts Index

000623-000	3	B1009167	3
031449-000	4, 5	B2002167	4, 5
A1002456	1, 1, 4	B2002185	4, 5
A1002596	4, 5	B2002489	4, 5
A1002905	4, 5	B2002931	3
A1002947	1	B2002940	3
A1002953	4	B9202924	2, 2
A2001745	4, 5	B9204535	2
A2001746	4, 5	C9002931AL	3
A2002158	4, 5	C9002931BK	3
A2002168	4	C9002931BT	3
A2002367	3	C9002931BU	3
A2002497	3	C9002931CB	3
A2002595	4, 5	C9002931EP	3
A2002902	4	C9002931FG	3
A2002904	4, 5	C9002931GG	3
A2002906	1, 1	C9002931LE	3
A2002909	1, 4	C9002931LN	3
A2002910	1, 4	C9002931MJ	3
A2002911	1	C9002931PL	3
A2002913	2	C9002931SG	3
A2002919	4	C9002931VB	3
A2002920	4	C9002931WH	3
A2002921	4	C9002940AL	3
A2002923	4	C9002940BK	3
A2002926	1	C9002940BT	3
A2002930	3	C9002940BU	3
A2002932	2	C9002940CB	3
A2002948	1	C9002940EP	3
A2002949	1	C9002940FG	3
A2002950	1	C9002940GG	3
A2002951	1	C9002940LE	3
A2002952	1	C9002940LN	3
A2002954	1	C9002940MJ	3
A2002956	1	C9002940PL	3
A2002959	1	C9002940SG	3
A2002960	3	C9002940VB	3
A2002961	4, 5	C9002940WH	3
A2002962	3	C9202924WH	2
A2002964	1	E9102152	4, 5
		E9102153	4, 5



E9102178	3	G3202938BK	3
E9102179	3	G3202938BKBR	3
E9102741	4, 5	G3202938BT	3
E9102908	1	G3202938BTBR	3
F0002944BR	3	G3202938BU	3
F0002944SS	3	G3202938BUBR	3
G3008411	1	G3202938CB	3
G3202937AL	3	G3202938CBBR	3
G3202937ALBR	3	G3202938EP	3
G3202937BK	3	G3202938EPBR	3
G3202937BKBR	3	G3202938FG	3
G3202937BT	3	G3202938FGBR	3
G3202937BTBR	3	G3202938GG	3
G3202937BU	3	G3202938GGBR	3
G3202937BUBR	3	G3202938LE	3
G3202937CB	3	G3202938LEBR	3
G3202937CBBR	3	G3202938LN	3
G3202937EP	3	G3202938LNBR	3
G3202937EPBR	3	G3202938MJ	3
G3202937FG	3	G3202938MJBR	3
G3202937FGBR	3	G3202938PL	3
G3202937GG	3	G3202938PLBR	3
G3202937GGBR	3	G3202938SG	3
G3202937LE	3	G3202938SGBR	3
G3202937LEBR	3	G3202938SS	3
G3202937LN	3	G3202938SSBR	3
G3202937LNBR	3	G3202938VB	3
G3202937MJ	3	G3202938VBBR	3
G3202937MJBR	3	G3202938WH	3
G3202937PL	3	G3202938WHBR	3
G3202937PLBR	3	G4002968	6
G3202937SG	3	G4005496	6
G3202937SGBR	3	G4005497	6
G3202937SS	3	G4005499	6
G3202937SSBR	3	G4007448	6
G3202937VB	3	G4007449	6
G3202937VBBR	3	G50010123	3, 3
G3202937WH	3	G5002958	1
G3202937WHBR	3	G5004515BK	2
G3202938AL	3	G5004515BKBR	2
G3202938ALBR	3	G5004516WH	2



G5004516WHBR	2	PE050019	2
G5004518BK	2	PE050023	2
G5004518BKBR	2	PE050024	2
G5004518WH	2	PE050049	2
G5004518WHBR	2	PE050053	1, 4
G5004539	2	PE050112	1, 4
G5004540	2, 2	PE060030	3
G5004541	2, 2	PE060031	3
G5007602	1	PE060039	3
G9102736	4, 5	PE060045	3
G9102749	4, 5	PE060064	3
G9102901	4, 5	PE070147	1
J1002939	3	PE070148	1
PB010163	2	PE070190	6
PB010164	2	PE070191	6
PB010165	2	PE070192	6
PB010166	2	PE070193	6
PB010184BK	2	PE070208	6
PB010184WH	2	PE070308	1
PB010185	2	PE070317	1
PB010185BK	2	PE110024	1
PB060030	4, 5	PE110031	1
PB060044	4, 5	PJ010001	4, 5
PB070034	3	PJ010002	4, 5
PB070038	3	PJ010003	4, 5
PB070040	3	PJ010004	4, 5
PC020016	4, 5	PJ030001	2
PC020188	3	PJ030002	1, 4
PD030033	1	PJ030003	2
PE010016	3	PJ030005	1, 4
PE010017	3	PJ030006	1, 4
PE010079	3	PJ030010	2
PE010080	3	PJ030012	2
PE030001	3	PM010014	4, 5
PE030001PVD	3	PM010026	1
PE040069	2	PM010029	1
PE040073	2		
PE040074	2		
PE040075	2		
PE040076	2		
PE050005	4, 5		



Appendix A:Pages Index

CABINET ASSEMBLY 1
CONTROL PANEL ASSY 2
DOOR ASSEMBLY 3
LOWER OVEN 4
UPPER OVEN 5
WIRING 6