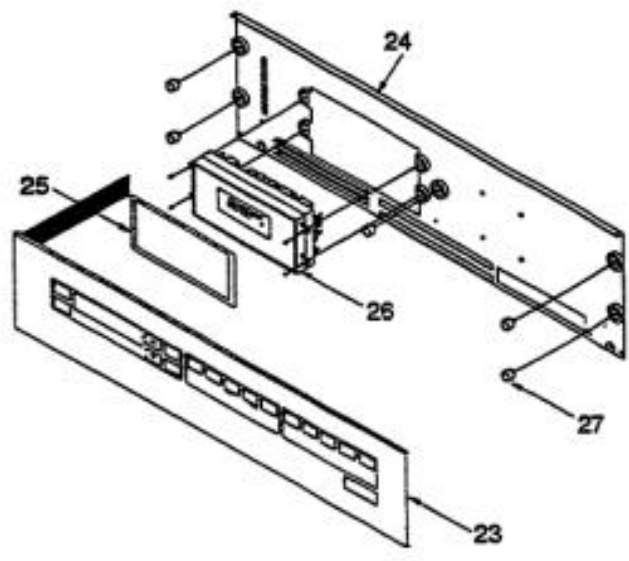
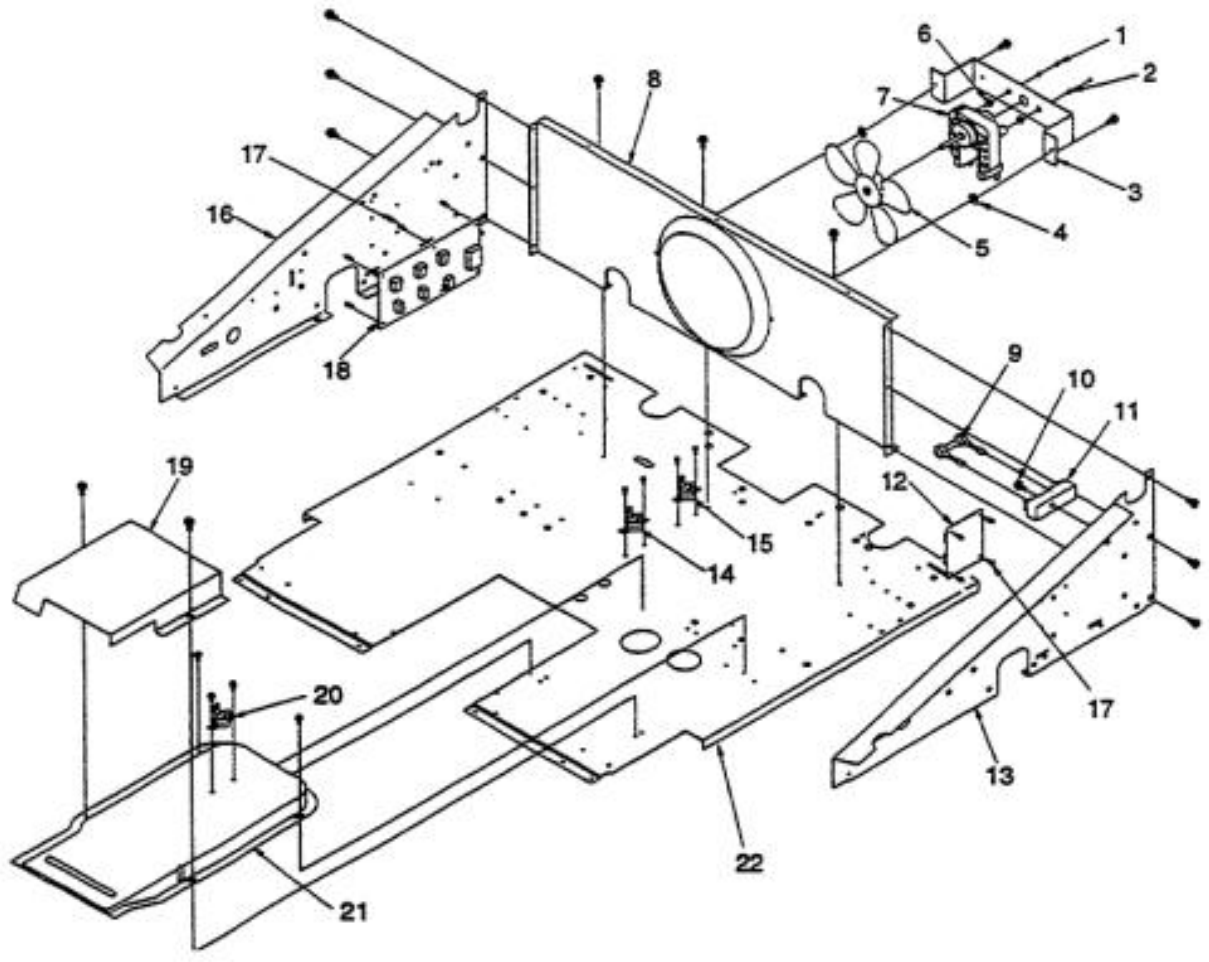
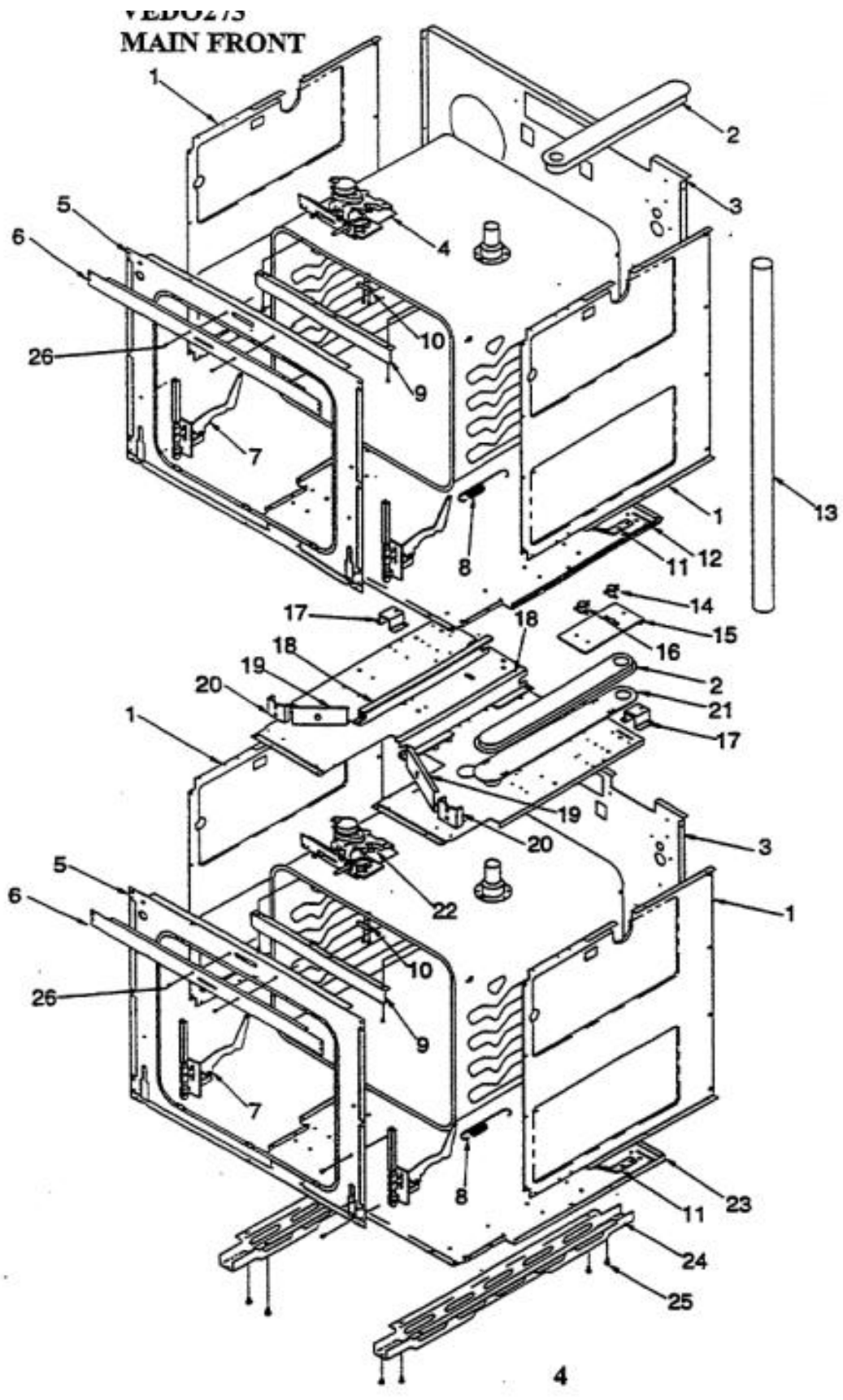


Ref #	Part Number	Qty.	Description
1	PE130001		CABINET TOP 0040286
2	PE130002		CABINET SIDE PANEL 0052856
3	PE130055		CONDUIT ASSY
4	PE130041		CABINET BACK - UPPER (31954802SS)
5	PE130060		ACCESS PLATE
6	PG110017		SUB TO PE130012 - BACK LOWER CABINET
7	PE100041		TRIM, TOP CONTROL PANEL
8	PE100039		TRIM SIDE LEFT 0307152
	PE130064		CTRL PANEL ASSY XSS 31852301SS
10	PG100011		TRIM CONTROL PANEL BOTTOM 0301885
	PE100038		TRIM INS CONTROL PANEL BTM 0301918
11	PE100018		TRIM CENTER 0301884
	PE100019		TRIM INSERT CENTER 0301917
12	PE100036		TRIM BOTTOM 0301883
	PE100037		TRIM INSERT BOTTOM 0301916
13	PE100040		TRIM SIDE RIGHT 0307153
	PE130038		UPPER CABINET SIDE

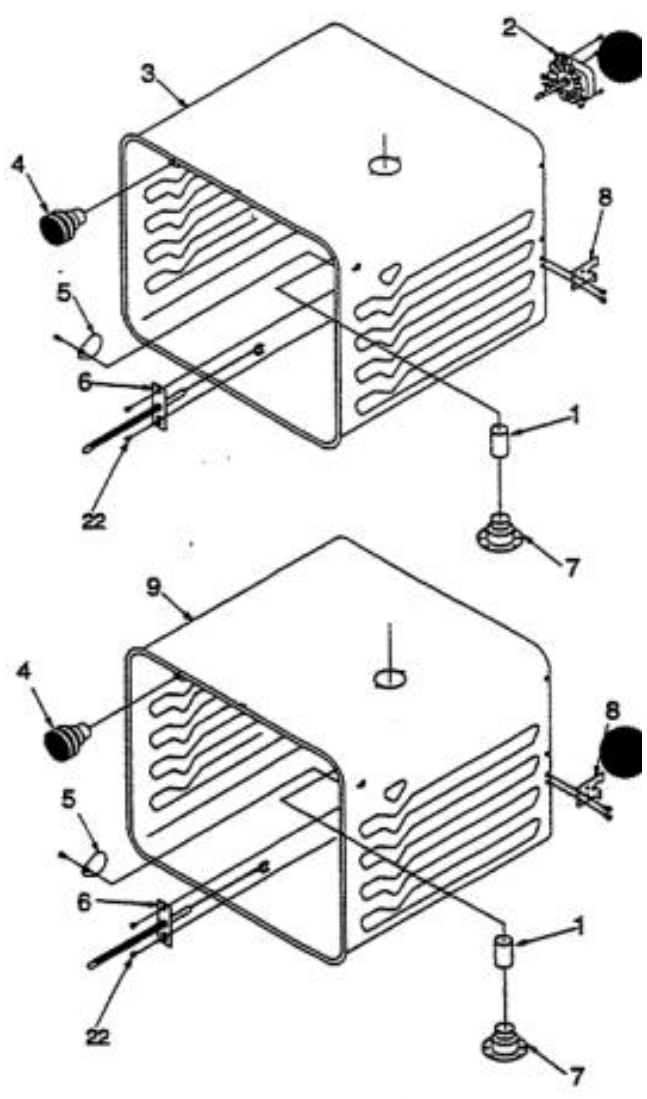
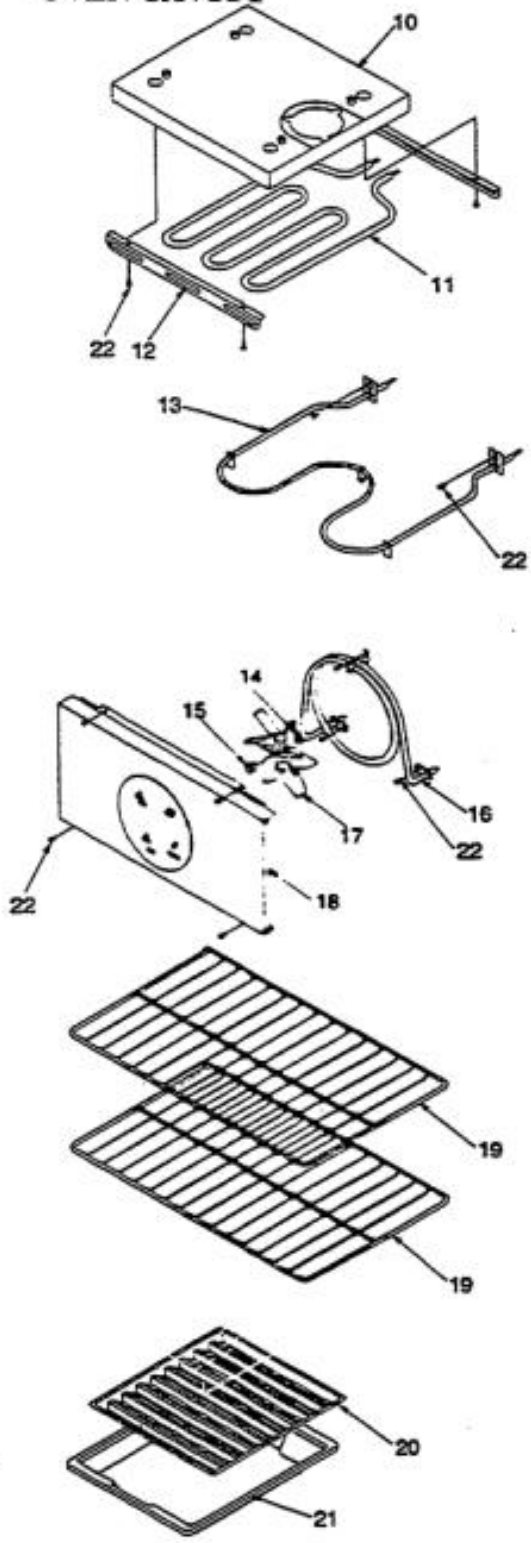


Ref #	Part Number	Qty.	Description
1	PE120034		NUT HEX KEPS 6-32 31750119
2	PE120031		WASHER STEEL .156ID/.437OD 31750015
3	PE100027		BRACKET FAN MOTOR 0305242
4	PE120030		WASHER RUBR .250ID/.625OD 31750005
5	PG120029		FAN BLADE
6	PE120051		GOMMET FAN 0305243
7	PE110024		MOTOR FAN Y0042226
8	PE130071		CONTROL PANEL BACK
9	PE110023		RESISTOR FAN MOTOR(100 OHMS)0042064
10	PE120040		SCREW 8-18 X 5/8 31750412
11	PE110021		BLOCK TERMINAL 0042191
12	PE110048		RELAY MODULE 0314523
13	PE130073		CONTROL COMPARTMENT RH 0314834
14	PE110022		UPPER OVEN LIMIT SWITCH Y0042045
15	PE110015		SWITCH FAN SPDT Y0042056
16	PE130072		CONTROL COMPARTMENT LH 0314835
17	PE100054		SUPPORT CURCUIT BOARD 31726801
18	PE110050		RELAY MODULE TRANS Y0309305
19	PE130045		FLUE BOX COVER
20	PE110036		SWITCH, LIMIT OPEN 90 (0042066)
21	PE130046		FLUE BOX UPPER OVEN
22	PE100047		UPPER OVEN TOP
NI	PE120062		HARNESS RELAY MODULE 31832601
NI	PE120059		HARNESS - LOWER OVEN
NI	PE120058		HARNESS UPPER OVEN
23	PE110041		VIK MEMBR SWITCH ASSY M3 (31844201B)
	PE110042		VIKING MEMBR SWITCH ASSY> 31844202W
	PE110043		VIK MEMBR SWITCH 31852301SS
24	PE100046		BRACKET, CONTROL PANEL 034451CG
25	PE140013		SEAL ERC VEDO273/VGDO271 31846301
26	PE110056		ERC - 31799101
27	PE120053		BUMPER RUBBER 500 0314643



Ref #	Part Number	Qty.	Description
1	PE140011		REATER INSULATION SIDE 0316868
2	PE130006		LOWER OVEN FLUE BOX 0040581
3	PE130007		RETAINER INSULATION REAR 0305420
4	PE110035		ASM AUTO LATCH AND SWITCH
5	Not Replaceable		MAIN FRONT
6	PE100055		CHIP COVER 31797201
7	PE120049		HINGE ASSY 0301927
8	NOLONGERAVAILAB...		OVEN DOOR SPRING - PE120004
9	PE130063		SHIELD REFLECTOR
10	PE100053		CHIP COVER 0315022
11	PE130014		RETAINER SPRING 0060759
12	PE130036		UPPER OVEN BOTTOM
13	PE120057		VENT TUBE
14	PE110015		SWITCH FAN SPDT Y0042056
15	PE100022		SWITCH PLATE 0040783
16	PE110051		LIMIT CONTROL
17	PE100051		REAR OVEN SUPPORT
18	PE130042		CHANNEL - LOWER OVEN
19	PE130052		AIR BAFFLE
20	PE100020		SUPPORT OVEN FRONT 0060838 - NLA
21	PE140010		GASKET, VENT BOX
22	PE110052		LATCH DOOR-LOWER MOTORIZED
23	PE130057		BOTTOM LOWER OVEN 0316867
24	PG100018		RUNNER BASE 0060849
25	PE120041		SCREW 8-18X3/8 HEX SERR/AB 31750432
26	PE120046		SCREW AB 8-18 X .406-.344 31750701
NI	PE140012		INSULATION 2X20X80
NI	PE120039		SCREW NO.8

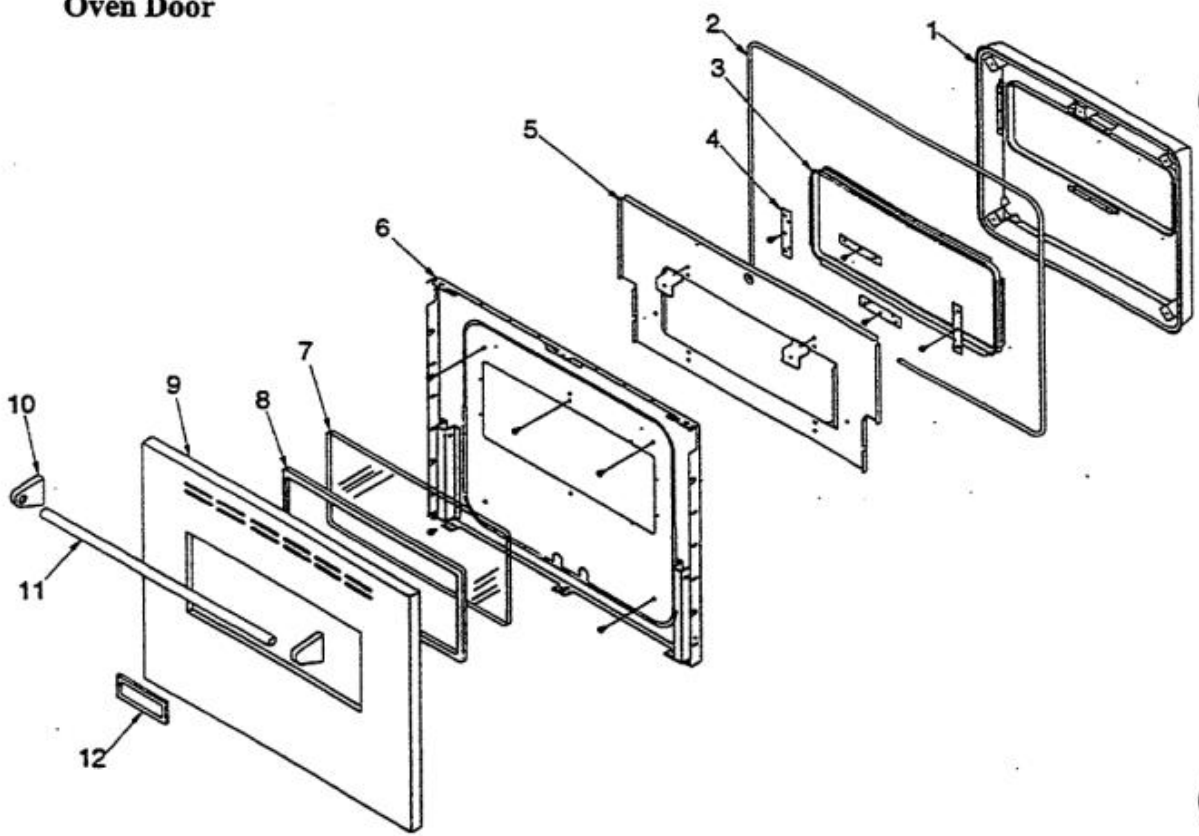
**OVEN CAVITY**



Ref #	Part Number	Qty.	Description
1	PE130070		VENT, SMOKE ELIMINATOR 0042409
2	PE110034		CONVECTION FAN ASSEMBLY
3	PE130017		NLA
4	PE110037		LIGHT ASSY OVEN 74011278
5	PE100052		COVER, PROBE RECEPTACLE 0040848
6	PE110055		SENSOR HERAEUS Y0314907
7	NOLONGERAVAILAB...		SMOKE ELIMINATOR - PE130019
8	PG100013		BRACKET OVEN MOUNTING 0041017
9	PE130017		OVEN SHELL
10	PE130030		BROIL ELEMENT REFLECTOR 0306503
11	PE150003		BROIL ELEMENT Y0042138
12	PE100029		BROIL ELEMENT SUPPORT
13	PE150004		BAKE ELEMENT (77001092)
14	PE120052		WASHER 18 GA (.047 MIN) ZINC
15	PE120016		L.H. THREAD NUT (0307037)
16	PE150005		CONVECTION ELEMENT 77001135
17	PE110032		BLADE CONVECTION FAN 0307036
18	PE100056		FAN COVER ENAMELED 31843201CG
19	PE100050		OVEN RACK CONVECTION 0305696
	PE100049		OVEN RACK
	PE120064		OVEN RACK WIRE
20	PE100045		GRID BROILER 304451CG
21	PE100030		BROILER PAN 314175C6
22	PE120046		SCREW AB 8-18 X .406-.344 31750701
NI	PE110019		LIGHT BULB



### Oven Door



Ref #	Part Number	Qty.	Description
NI	PE130033AL		COMPLETE UPPER DOOR ASSEMBLY - AL
	PE130033BK		COMPLETE UPPER DOOR ASSEMBLY - BK
	PE130033BU		COMPLETE UPPER DOOR ASSEMBLY - BU
	PE130033FG		COMPLETE UPPER DOOR ASSEMBLY - FG
	PE130033PL		COMPLETE UPPER DOOR ASSEMBLY - PL
	PE130033SS		COMPLETE UPPER DOOR ASSEMBLY - SS
	PE130033VB		COMPLETE UPPER DOOR ASSEMBLY - VB
	PE130033WH		COMPLETE UPPER DOOR ASSEMBLY - WH
NI	PE130034AL		COMPLETE LOWER DOOR ASSEMBLY - AL
	PE130034BK		LOWER DOOR ASSEMBLY - COMPLETE
	PE130034BU		COMPLETE LOWER DOOR ASSEMBLY - BU
	PE130034FG		COMPLETE LOWER DOOR ASSEMBLY - FG
	PE130034PL		COMPLETE LOWER DOOR ASSEMBLY - PL
	PE130034SS		COMPLETE LOWER DOOR ASSEMBLY - SS
	PE130034VB		COMPLETE LOWER DOOR ASSEMBLY - VB
	PE130034WH		LOWER DOOR ASSEMBLY - COMPLETE
1	PE130044		PAD DOOR LINER 40223CG
2	PE140008		GASKET DOOR 76 31715903
3	PE140003		WINDOW ASSEMBLY
4	PE130025		RETAINER DOOR GLASS 0052629
5	PE130032		BAFFLE INNER DOOR 301896G
	PE130043		BAFFLE INNER M2/5 301896W
6	PE130065		OVEN DOOR LINER
7	PE140002		GLASS WINDOW 0301912
8	PE100026		TRIM J MOLD XSS 0302082
	PE060028		TRIM J MOLD XBR 306584B
9	PE100024SS		PANEL DOOR LOWER XSS 0304629
	C9002325AL		DOOR PANEL-LOWER XALX (VEDO/VGDO)
	C9002325BK		DOOR PANEL-LOWER XBKX (VEDO/VGDO)
	C9002325BU		DOOR PANEL-LOWER XBUX (VEDO/VGDO)
	C9002325FG		DOOR PANEL-LOWER XFGX (VEDO/VGDO)
	C9002325PL		DOOR PANEL-LOWER XPLX (VEDO/VGDO)
	C9002325VB		DOOR PANEL-LOWER XVBX (VEDO/VGDO)
	C9002325WH		DOOR PANEL-LOWER XWHX (VEDO/VGDO)
NI	PE100025SS		UPPER DOOR PANEL - SS
	C9002324AL		DOOR PANEL-UPPER XALX (VEDO/VGDO)
	C9002324BK		DOOR PANEL-UPPER XBKX (VEDO/VGDO)
	C9002324BU		DOOR PANEL-UPPER XBUX (VEDO/VGDO)
	C9002324FG		DOOR PANEL-UPPER XFGX (VEDO/VGDO)
	C9002324PL		DOOR PANEL-UPPER XPLX (VEDO/VGDO)
	C9002324VB		DOOR PANEL-UPPER XVBX (VEDO/VGDO)
	C9002324WH		SUB TO PE100025WH - DOOR PNL
10	PE030001		BRACKET, DOOR, HANDLE
	PE030001PVD		END CAP DOOR HANDLE XBR
11	F0002576SS		HANDLE OVEN DOOR XSS (24.625 LENGTH)
	F0002576BR		HANDLE OVEN DOOR XBR 0301898
12	PE010016		NAMEPLATE, LOGO, PRO
	PE010017		LOGO (VGSO,VEDO,VGDO,VUD) XWH/CHR
	PE010079		4.5 LOGO/VIKING PROF, BK/BR
	PE010080		4.5 LOGO/VIKING PROF XWH/BR