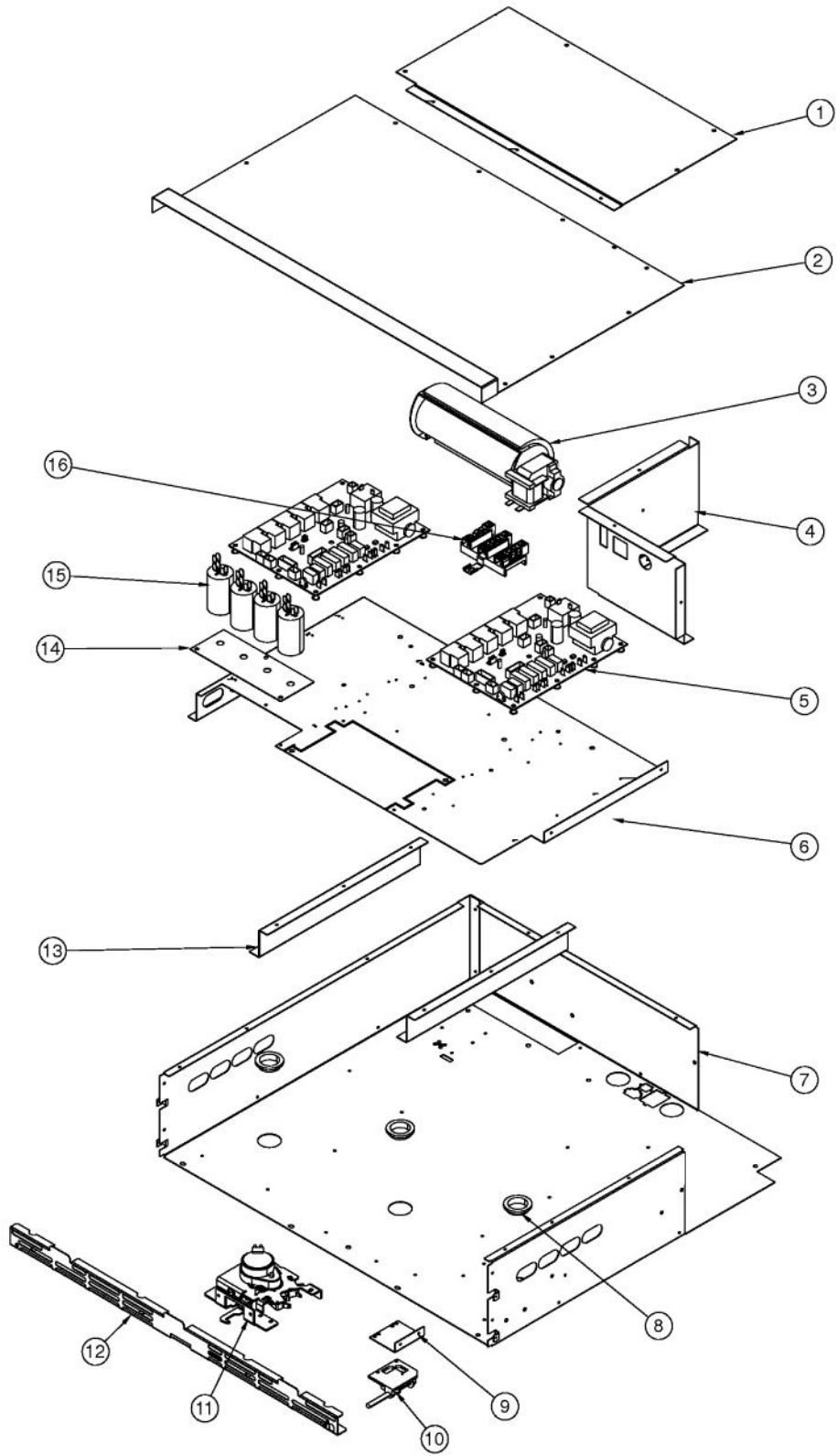
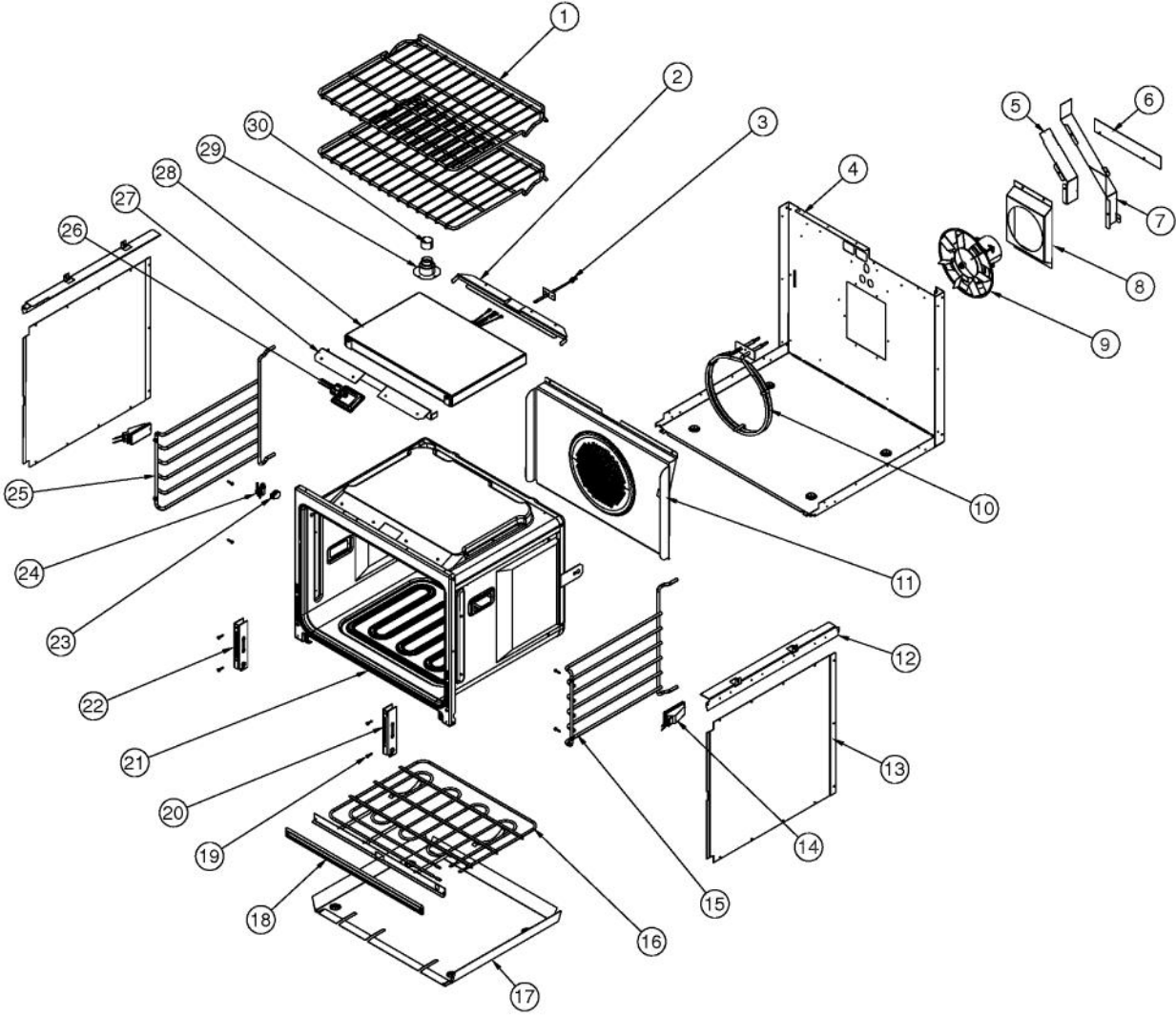


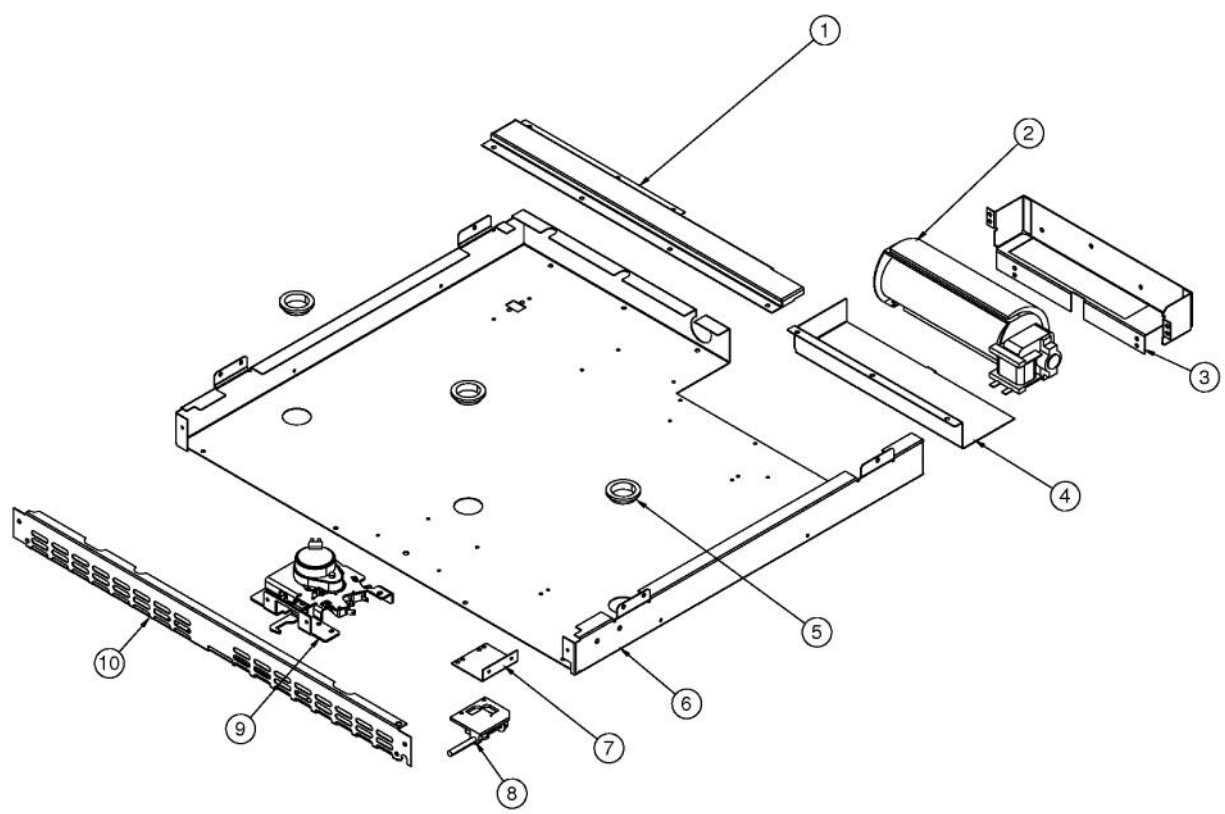
Ref #	Part Number	Qty.	Description
1	015662-000	4	KNOB, OVEN ASM, SS
2	PA010093	1	DESIGNER OVEN LT SWITCH KNOB
3	015043-000	4	INDICATOR, LIGHT, BLUE LED
4	PJ030033	2	SELECTOR (10 POS)
5	PD020032	6	SRW-8(A)X3/8PH.WFR HD 7/16DIAXNICL
6	024810-000	1	BRACKET, LIGHT SW
7	PE050076	1	DESIGNER OVEN LIGHT SWITCH
8	025100-000	2	BRACKET, CLOCK, TKJ
9	PE050140	1	ANALOG CLOCK 220V 50/60H
10	025142-000	1	BRACKET, SEL, SINGLE
11	PJ030036	1	3 POSITION SELECTOR SWITCH
12	025185-000	1	PANEL, CONTROL MOUNTING
13	PJ030035	2	THERMOSTAT
14	025197-2299	1	27 DBL SELECT CTRL PANEL W/GRAPHICS
15	PA010192	1	DES. MANUAL TIME KNOB
16	PB010304	4	KNOB BEZEL
16	PB010304PVD	4	RESTYLE KNOB BEZEL, BR
17	PD020261	8	NO.8-32X1/2 PH PANHEAD MACH. SCREW



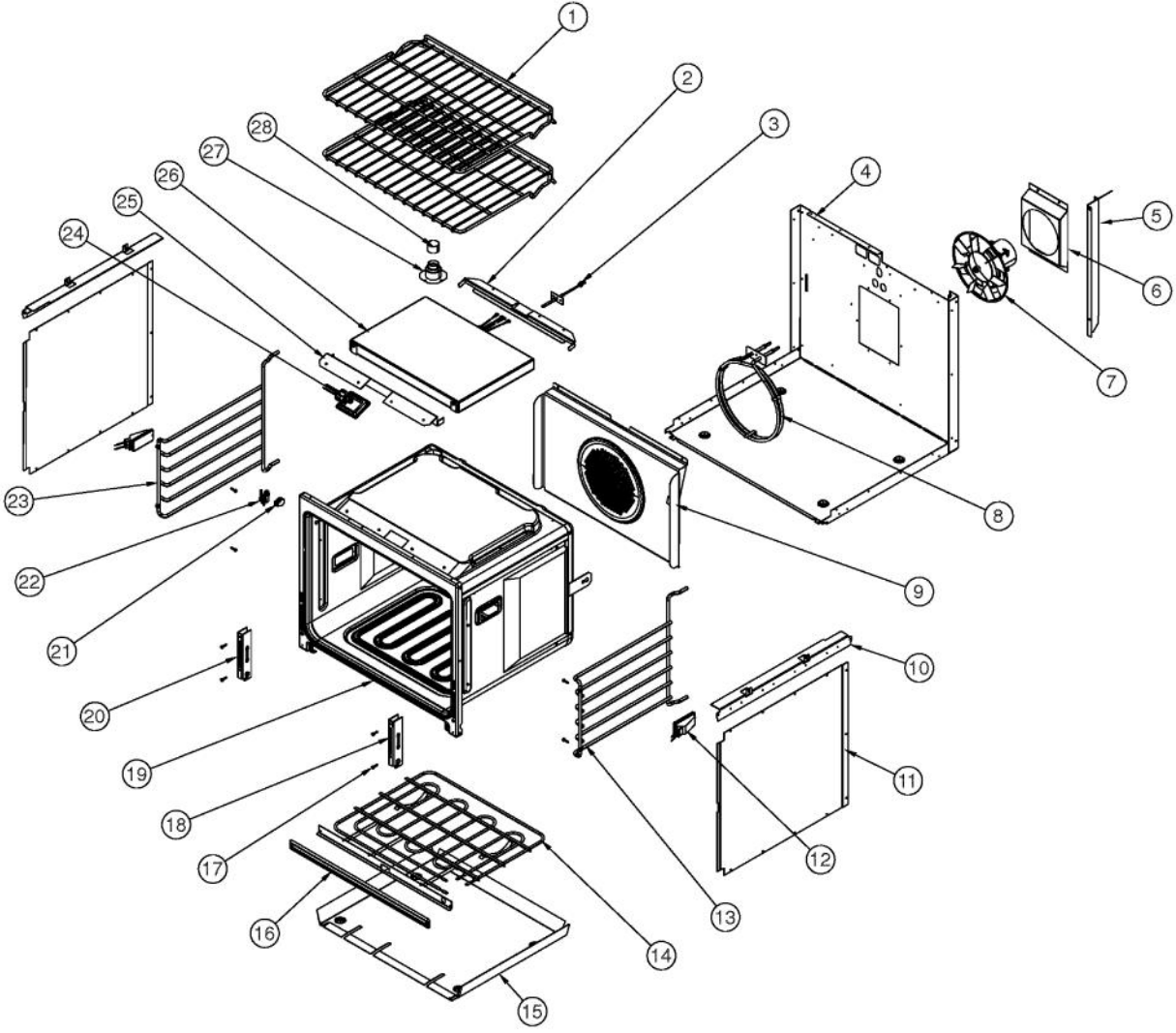
Ref #	Part Number	Qty.	Description
1	A20014047	1	27 REAR COVER
2	025221-000	1	PANEL,CVR, TOP, FR, 27
3	PE050250	1	PREMIUM BLOWER WITH HES BEFORE 2/4/2013
3	018607-000	1	FAN,BLO, 220-240V 50/60HZ ASSY AFTER 2/4/2013
NI	048752-000	1	VEDO5272 BLOWER SERVICE KIT (BUILT AFTER SERIAL NO. 061013C10095758 BUT BEFORE...
4	A20010934	1	BRACKET, MODULE PAN
5	000621-000	2	SUB TO 002406-000 - CONTROL BOARD
6	A20010935	1	ELECTRONICS HAT
7	A20010933	1	MODULE PAN 27
8	PB070079	3	SILICONE EXTRUSION (DGSU)
9	A20012649	1	DOOR SWITCH BRACKET
10	PE050208	1	DOOR SWITCH
11	013250-000	1	LATCH,DOOR,ASM,240V,GRIDDLE LOCKOUT BEFORE 10/31/13
11	039293-000	1	LATCH, ELEC, 240V, ASSY AFTER 10/31/13
12	C90014073	1	27 INLET GRILL
13	A20010910	2	BRACKET, SUPPORT, ELECTRONICS HAT
14	A10014027	1	4 CAPACITOR BRACKET
15	PE050247	4	EBM FAN MOTOR CAPACITOR
16	PE070147	1	TERMINAL BLOCK
NI	PE070795	1	10 POSITION 27 L.O.



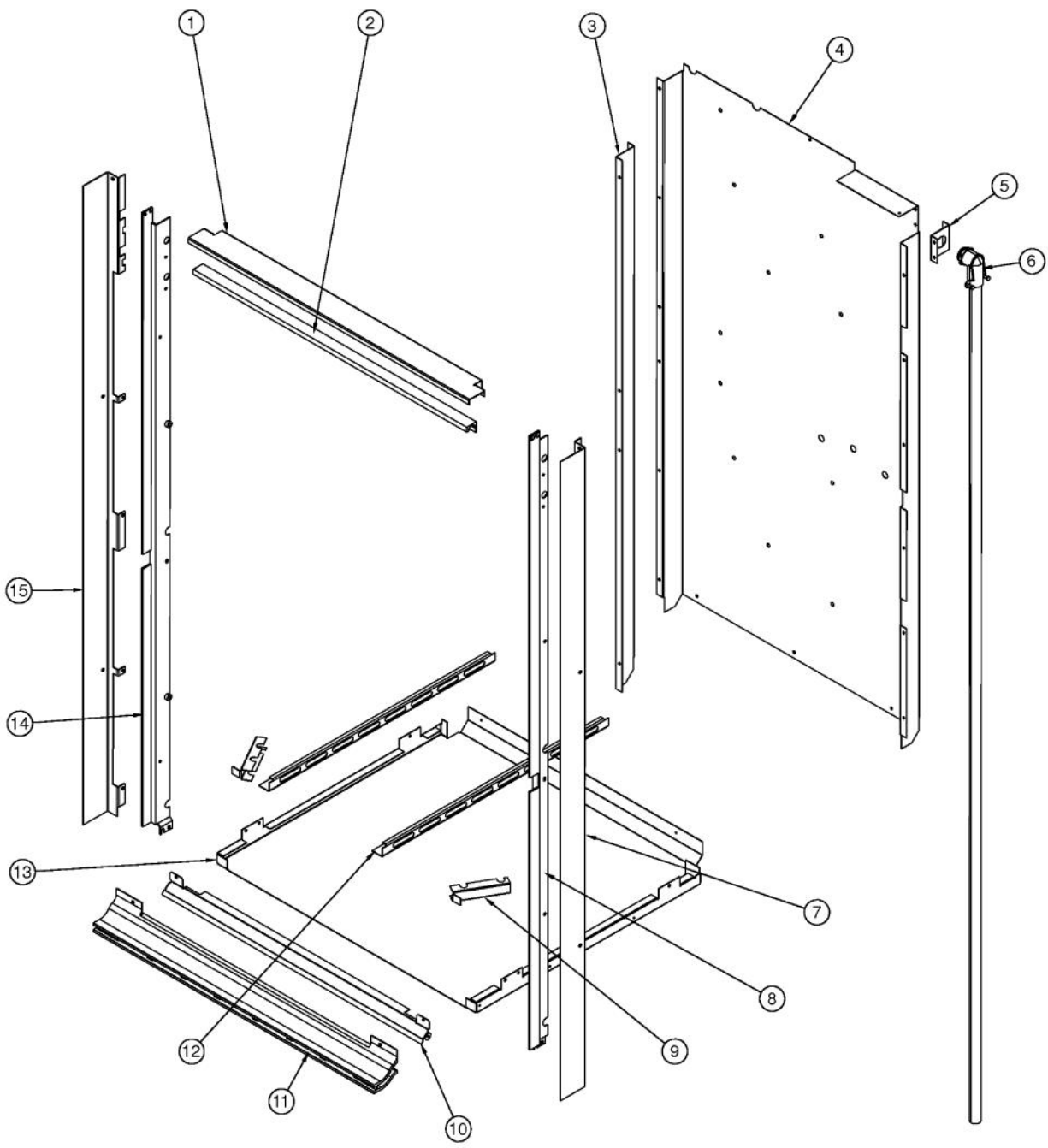
Ref #	Part Number	Qty.	Description
1	PB060105	2	27 OVEN RACK
2	B20014051	1	PREMIERE BROIL ELEMENT BRACKET REAR
3	PE050206	1	RTD THERMOSTAT PROBE
4	UNSERVICEABLE	1	OVEN CAVITY, ASM 36
5	A21010919	1	BRACKET, AIR, CONVECTION MOTOR
6	A10010907	1	COVER, BLOWER
7	A21010918	1	BRACKET, AIR, CONVECTION MOTOR
8	A2009697	1	BRACKET, CONVECTION INSULATION
9	G32014020	1	CONVECTION FAN ASSY
10	PJ010047	1	CONVECTION ELEMENT
11	G91013597	1	27 BAFFLE ASSEMBLY
12	A2009641	2	BRKT, TOP WRAPPER
13	014137-000	2	WRAPPER, OVEN SIDE
14	005311-000	2	120V/25W HALOGEN LIGHT
15	003039-000	1	RACK GUIDE ASSY, RH
16	PJ010048	1	BAKE ELEMENT
17	A20010932	1	ELEMENT, MTG TRAY
18	E2109655	1	COVER, BAKE TRAY
19	PD020232	8	NO.8 X 3/4 PH PAN HEAD TEK SCREW (BLACK OXIDE)
20	PC020221	1	HINGE POCKET RECEIVER MANSFIELD RH
21	UNSERVICEABLE	1	OVEN CAVITY, ASM 36
22	PC020247	1	HINGE POCKET RECEIVER MANSFIELD LH
23	PM010160	1	MEAT PROBE JACK COVER
24	PE050115	1	MEAT PROBE JACK
25	003040-000	1	RACK GUIDE ASSY, LH
26	005312-000	1	BJB SLIMLINE 40 W BULB
27	B20014050	1	PREMIERE BROIL ELEMENT BRACKET FRONT
28	PJ010050	1	SEALED BROIL ELEMENT W/GLASS
29	PM010014	1	SMOKE ELIMINATOR (VDSC)
30	PB020275	1	VENT TUBE



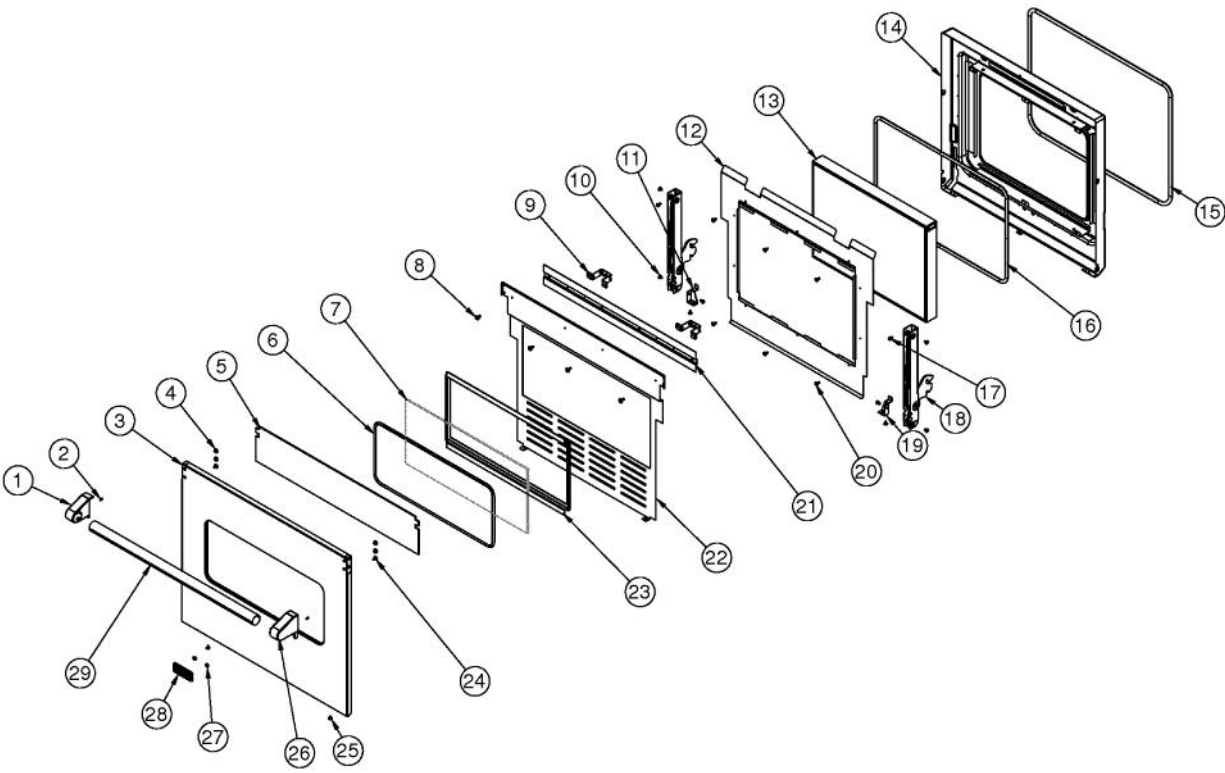
Ref #	Part Number	Qty.	Description
1	A20012808	1	CATALYST EXHAUST, MIDDLE MODULE
2	PE050250	1	PREMIUM BLOWER WITH HES
NI	048752-000	1	VEDO5272 BLOWER SERVICE KIT (BUILT AFTER SERIAL NO. 061013C10095758 BUT BEFORE...
3	A3009660	1	BRACKET, BLOWER, DBL LOWER OVEN
4	A2009659	1	BRACKET, FILLER, BLOWER
5	PB070079	3	SILICONE EXTRUSION (DGSU)
6	A20012802	1	MODULE PAN 27
7	A20012649	1	DOOR SWITCH BRACKET
8	PE050208	1	DOOR SWITCH
9	013250-000	1	LATCH,DOOR,ASM,240V,GRIDDLE LOCKOUT
10	C90012803	1	INLET GRILL DBL LOWER OVEN 27
10	C90012803BK	1	INLET GRILL DBL LOWER OVEN 27



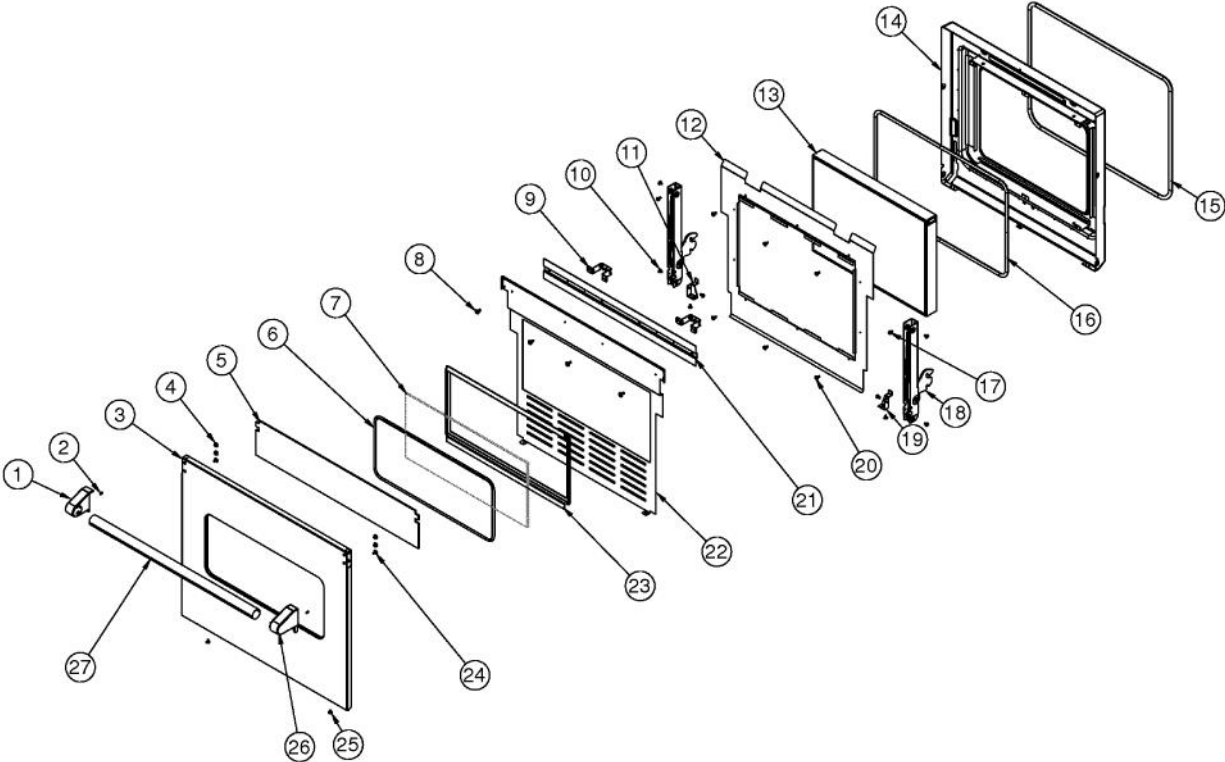
Ref #	Part Number	Qty.	Description
1	PB060105	2	27 OVEN RACK
2	B20014051	1	PREMIERE BROIL ELEMENT BRACKET REAR
3	PE050206	1	RTD THERMOSTAT PROBE
4	UNSERVICEABLE	1	OVEN CAVITY, ASM 36
5	A20012809	1	REAR AIR DIVIDER, DBL, LOWER OVEN
6	A2009697	1	BRACKET, CONVECTION INSULATION
7	G32014020	1	CONVECTION FAN ASSY
8	PJ010047	1	CONVECTION ELEMENT
9	G91013597	1	27 BAFFLE ASSEMBLY
10	A2009641	2	BRKT, TOP WRAPPER
11	014137-000	2	WRAPPER, OVEN SIDE
12	005311-000	2	120V/25W HALOGEN LIGHT
13	003039-000	1	RACK GUIDE ASSY, RH
14	PJ010048	1	BAKE ELEMENT
15	A20010932	1	ELEMENT, MTG TRAY
16	E2109655	1	COVER, BAKE TRAY
17	PD020232	8	NO.8 X 3/4 PH PAN HEAD TEK SCREW (BLACK OXIDE)
18	PC020221	1	HINGE POCKET RECEIVER MANSFIELD RH
19	UNSERVICEABLE	1	OVEN CAVITY, ASM 36
20	PC020247	1	HINGE POCKET RECEIVER MANSFIELD LH
21	PM010160	1	MEAT PROBE JACK COVER
22	PE050115	1	MEAT PROBE JACK
23	003040-000	1	RACK GUIDE ASSY, LH
24	005312-000	1	BJB SLIMLINE 40 W BULB
25	B20014050	1	PREMIERE BROIL ELEMENT BRACKET FRONT
26	PJ010050	1	SEALED BROIL ELEMENT W/GLASS
27	PM010014	1	SMOKE ELIMINATOR (VDSC)
28	PB020275	1	VENT TUBE



Ref #	Part Number	Qty.	Description
1	025228-000	1	TRIM, TOP, FLUSH, 27?
2	024264-000	1	TRIM,EXTD, TOP, 27
3	A2009684	1	REAR AIR DIVIDER, DOUBLE OVEN
4	A20012807	1	PANEL, REAR
5	A2009671	1	BRACKET, POWER CABLE
6	001421-000	1	CONDUIT, ELECTRICAL CORD, 70`
7	024266-000	1	TRIM, R, FLUSH, DBL
8	024256-000	1	TRIM,EXTD,RH, DBL
9	A20012739	2	BASE PAN CORNER BRACE
10	025219-000	1	27 DEFLECTOR (BK)
11	024478-000	1	EXTRUSION, 27 FLUSH MOUNT
12	A20012740	2	STIFFENER, BASE PAN
13	G30010922	1	BASE MODULE ASSY 27
14	024257-000	1	TRIM,EXTD,LH, DBL
15	024267-000	1	TRIM, L, FLUSH, DBL



Ref #	Part Number	Qty.	Description
1	025186-000	1	ENDCAP, DOOR HDL, ASM, LH
1	025186-100	1	ENDCAP,DOOR HDL,ASM,LH (BR)
2	003650-000	2	SET SCREW
3	038923-000	1	PRO 27 SVC DOOR SKIN KIT W/O LOGO-SS
NI	036913-000	1	27 WALL OVEN DOOR SERVICE KIT (FOR UNITS MANUFACTURED BEFORE 2/14/12)
4	004907-000	4	STEEL FINISHING PLUG, NICKEL PLTD 25/64 HOLE
5	025265-000	1	PANEL,INSL,27,DOOR
6	PE060104	1	27 J-MOLD (CHROME) NOT FIELD REPLACEABLE (NOT FIELD REPLACEABLE - MUST ORDER ITEM 3)
7	PE060089	1	27 PROF. OUTER DOOR GLASS (NOT FIELD REPLACEABLE - MUST ORDER ITEM 3)
8	PD020033	4	SRW-NO.10-24X1/2T(23)PH.WFR HD (NKL)
9	024005-000	2	BRACKET
10	PD020063	6	SCREW-NO.8(A) X 3/8PH WFR HD/BK OXID
11	A20012641	1	HINGE SUPPORT LH
12	A20010949	1	PANEL, INSULATION, INNNER DOOR
13	PE060093	1	27 WINDOW PACK
14	G91010942	1	DOOR LINER ASSEMBLY
15	PB070245	1	27 DOOR GASKET
16	017707-000	1	BLACK FIBERGLASS ROPE 3/8
17	PD020004	4	10X3/8PH.HD.TYPE 25 REPL PD040125
18	023798-000	2	HINGE, MANSFIELD, WHITE
19	A20012640	1	HINGE SUPPORT RH
20	PD020002	6	10 X 1/2 PH.TR.HD.SMS.
21	025163-000	1	DOOR SKIN MOUNTING BRACKET
22	025162-000	1	LINER,DOOR,27
23	L20014076	1	27 WINDOW HOLDER NOT FIELD REPLACEABLE (NOT FIELD REPLACEABLE - MUST ORDER ITEM 3)
24	PD020073	2	SRW NO.10 X 24 X 3/8 WAFER HD TYPE23
25	PD020032	2	SRW-8(A)X3/8PH.WFR HD 7/16DIAXNICL
26	025187-000	1	ENDCAP, DOOR HDL, ASM, RH
26	025187-100	1	ENDCAP,DOOR HDL,ASM,RH (BR)
27	PD030006	2	CAPPED WASHER PAL NUT
28	PE010142	1	3 LOGO XBKXXCHROME
28	PE010143	1	3 LOGO BK/BR
29	025167-000	1	HANDLE, DOOR, 27, SS



Ref #	Part Number	Qty.	Description
1	025186-000	1	ENDCAP, DOOR HDL, ASM, LH
1	025186-100	1	ENDCAP,DOOR HDL,ASM,LH (BR)
2	003650-000	2	SET SCREW
3	038922-000	1	PRO 27 SVC DOOR SKIN KIT W/LOGO-SS
3	038924-002	1	PRO 27 SVC DOO SKIN KIT W/LOGO-BK
3	038924-006	1	PRO 27 SVC DOOR SKIN KIT W/LOGO-WH
3	039582-018	1	VESO/VEDO 5272 UPPER SVC DOOR SKIN KIT-CW
NI	036913-000	1	27 WALL OVEN DOOR SERVICE KIT (FOR UNITS MANUFACTURED BEFORE 2/14/12
4	004907-000	4	STEEL FINISHING PLUG, NICKEL PLTD 25/64 HOLE
5	025265-000	1	PANEL,INSL,27,DOOR
6	PE060104	1	27 J-MOLD (CHROME) NOT FIELD REPLACEABLE (NOT FIELD REPLACEABLE - MUST ORDER ITEM 3)
7	PE060089	1	27 PROF. OUTER DOOR GLASS (NOT FIELD REPLACEABLE - MUST ORDER ITEM 3)
8	PD020033	4	SRW-NO.10-24X1/2T(23)PH.WFR HD (NKL)
9	024005-000	2	BRACKET
10	PD020063	6	SCREW-NO.8(A) X 3/8PH WFR HD/BK OXID
11	A20012641	1	HINGE SUPPORT LH
12	A20010949	1	PANEL, INSULATION, INNNER DOOR
13	PE060093	1	27 WINDOW PACK
14	G91010942	1	DOOR LINER ASSEMBLY
15	PB070245	1	27 DOOR GASKET
16	017707-000	1	BLACK FIBERGLASS ROPE 3/8
17	PD020004	4	10X3/8PH.HD.TYPE 25 REPL PD040125
18	023798-000	2	HINGE, MANSFIELD, WHITE
19	A20012640	1	HINGE SUPPORT RH
20	PD020002	6	10 X 1/2 PH.TR.HD.SMS.
21	025163-000	1	DOOR SKIN MOUNTING BRACKET
22	025162-000	1	LINER,DOOR,27
23	L20014076	1	27 WINDOW HOLDER NOT FIELD REPLACEABLE (NOT FIELD REPLACEABLE - MUST ORDER ITEM 3)
24	PD020073	2	SRW NO.10 X 24 X 3/8 WAFER HD TYPE23
25	PD020032	2	SRW-8(A)X3/8PH.WFR HD 7/16DIAXNICL
26	025187-000	1	ENDCAP, DOOR HDL, ASM, RH
26	025187-100	1	ENDCAP,DOOR HDL,ASM,RH (BR)
27	025167-000	1	HANDLE, DOOR, 27, SS

*No Image
Available*

Ref #	Part Number	Qty.	Description
NI	PE070733	1	UPPER LATCH HARNESS
NI	PE070735	1	MEAT PROBE HARNESS
NI	042029-000	1	HARNESS, CTRL, LWR
NI	PE070738	4	T/STAT-SEL HARNESS
NI	PE070739	2	BAKE ELEMENT HARNESS
NI	042030-000	1	LOWER LATCH HARNESS
NI	042028-000	1	HARNESS, UPPER CONTROL
NI	PE070746	1	DOUBLE ANALOG CLOCK HARNESS
NI	040197-000	1	CONDUIT, ELECTRICAL CORD, 70
NI	000915-000	2	LIMIT JUMPER
NI	027543-000	4	JMPR, LED, 240V ADPT
NI	044607-000	2	WIRE, GROUND