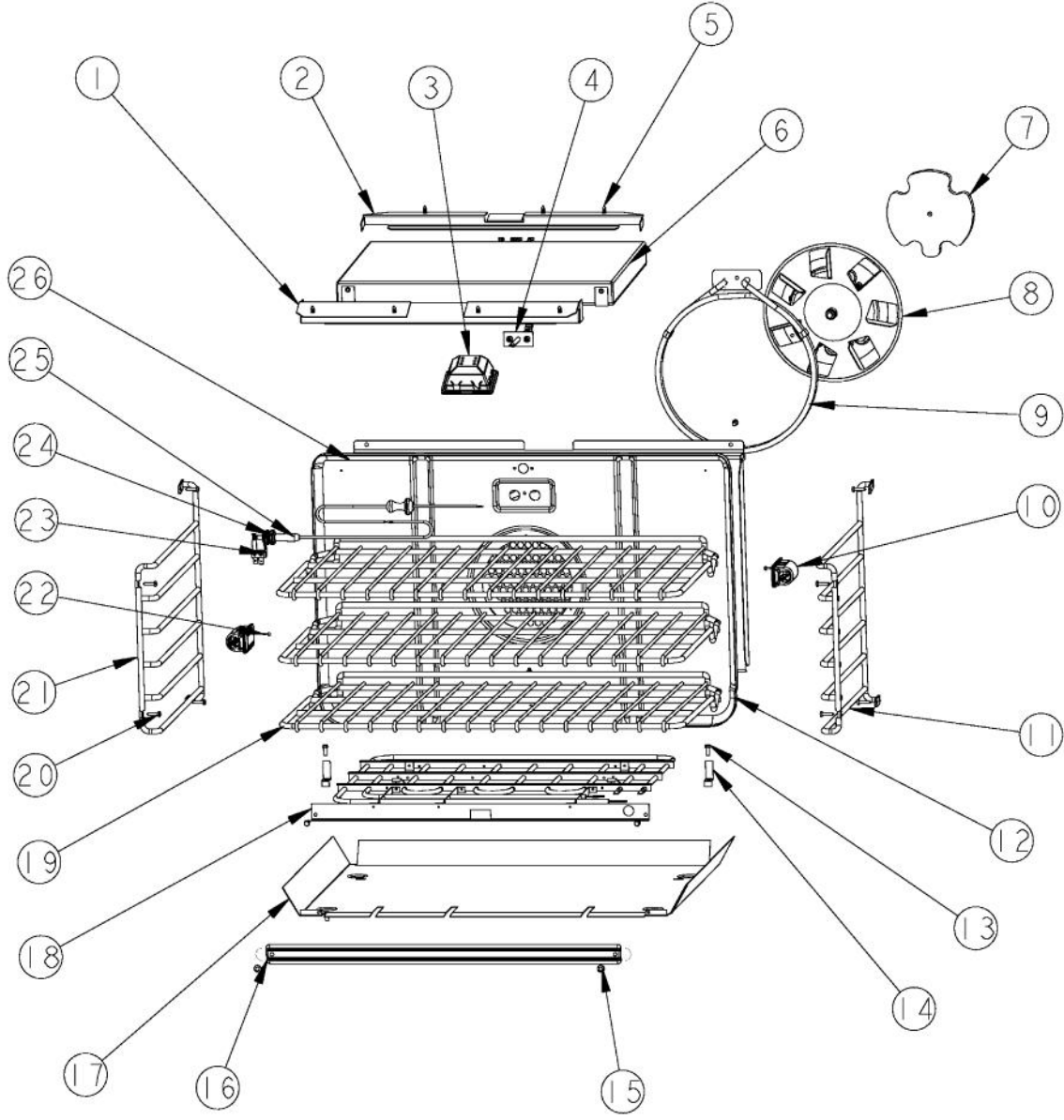
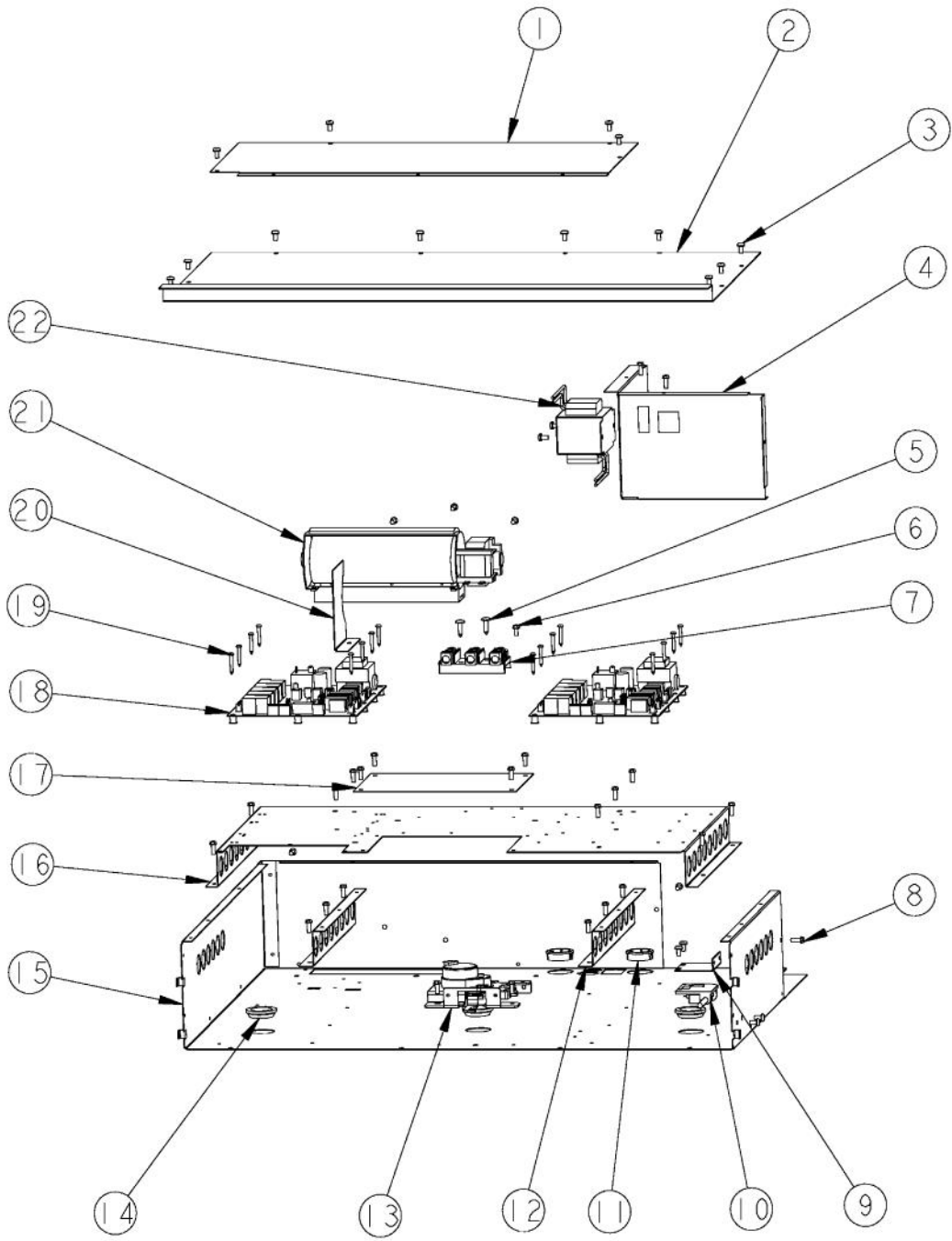


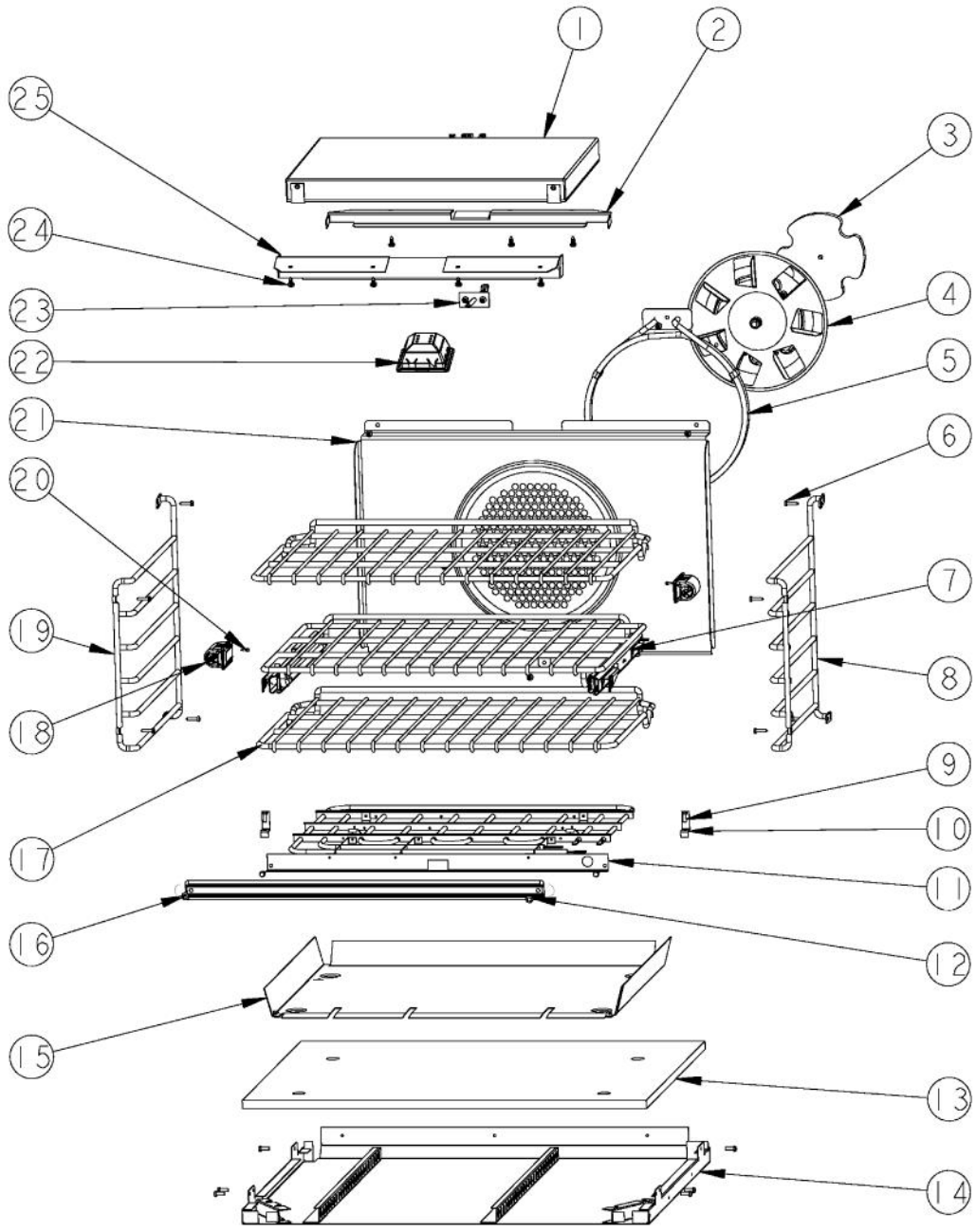
Ref #	Part Number	Qty.	Description
1	PD020013	2	TYPE AB NO.6 X 3/8 PH PAN HD. SMS
2	A10014027	1	4 CAPACITOR BRACKET
3	PE050247	4	EBM FAN MOTOR CAPACITOR
4	PD040164	4	5/16 INTERNAL TOOTH LOCK WASHER TYPE A
5	PD030172	4	M8 X 1.25MM NUT
6	PD020004	17	10X3/8PH.HD.TYPE 25 REPL PD040125
7	002534-000	1	PRO-TOUCH CONTROL PANEL BRACKET
9	000818-000	1	30 DOUBLE CONTROL MTG PANEL
10	000238-000	2	TOUCH CONTROL MTG BRACKET
11	002459-000	1	PROFESSIONAL PREMIERE TOUCH CONTROL
12	000816-000	1	30 J-MOLD (CHROME)
13	002456-000BK	1	30`` PROFESSIONAL CONTROL PNL - BK
13	002456-000SS	1	30`` PROFESSIONAL CONTROL PNL - SS
13	002456-000WH	1	30`` PROFESSIONAL CONTROL PNL - WH
14	C90014072BK	1	30 INLET GRILL
14	C90014072WH	1	30 INLET GRILLXWHX
15	PD040004	2	GROMMET BUMPER



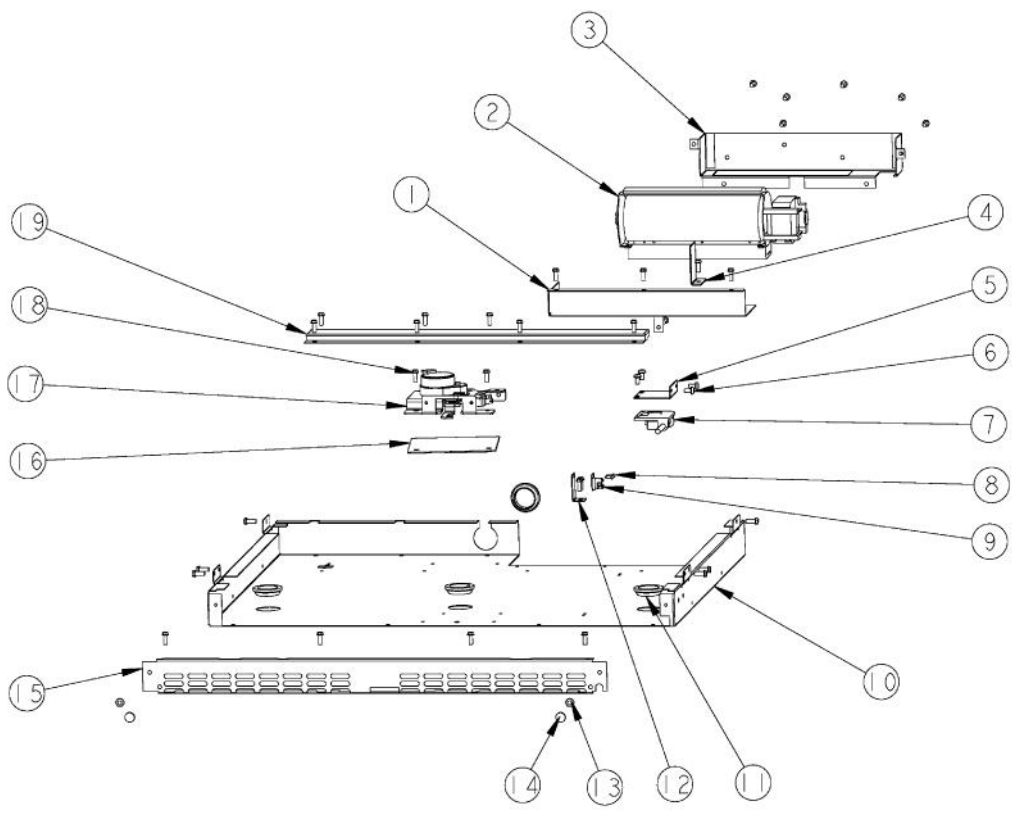
Ref #	Part Number	Qty.	Description
1	B20014050	1	PREMIERE BROIL ELEMENT BRACKET FRONT
2	B20014051	1	PREMIERE BROIL ELEMENT BRACKET REAR
3	PE050239	1	HALOGEN LAMP
4	PE050206	1	RTD THERMOSTAT PROBE
5	PD020055	15	NO.10 X 1/2 PAN PHIL. TEK. SS
6	PJ010050	1	SEALED BROIL ELEMENT W/GLASS
7	PB070312	1	CONVECTION MOTOR MTG. PLATE INSULATION
8	G32014020	1	CONVECTION FAN ASSY
9	PJ010047	1	CONVECTION ELEMENT
10	PE050238	2	120 VOLT SIDE HALOGEN LIGHT
11	PB060103	1	RACK SUPPORT RH
12	PD020013	2	TYPE AB NO.6 X 3/8 PH PAN HD. SMS
13	PD020060	12	10 X 1/2 (5/16)HEX WSHER HD.(T)A
14	A2009696	2	HOLDER, BAKE ELEMENT
15	PD020063	2	SCREW-NO.8(A) X 3/8PH WFR HD/BK OXID
16	A20010932	1	ELEMENT, MTG TRAY
17	A2009612	1	ELEMENT, MTG TRAY
18	PJ010048	1	BAKE ELEMENT
19	PB060105	3	27 OVEN RACK
20	PD020232	8	NO.8 X 3/4 PH PAN HEAD TEK SCREW (BLACK OXIDE)
21	PB060104	1	RACK SUPPORT LH
22	PD020013	2	TYPE AB NO.6 X 3/8 PH PAN HD. SMS
23	PE050115	1	MEAT PROBE JACK
24	PM010160	1	MEAT PROBE JACK COVER
25	PE050114	1	MEAT PROBE (DESO/DEDO) (SWITCHCRAFT'S PART NO. 4...
26	G91013597	1	27 BAFFLE ASSEMBLY



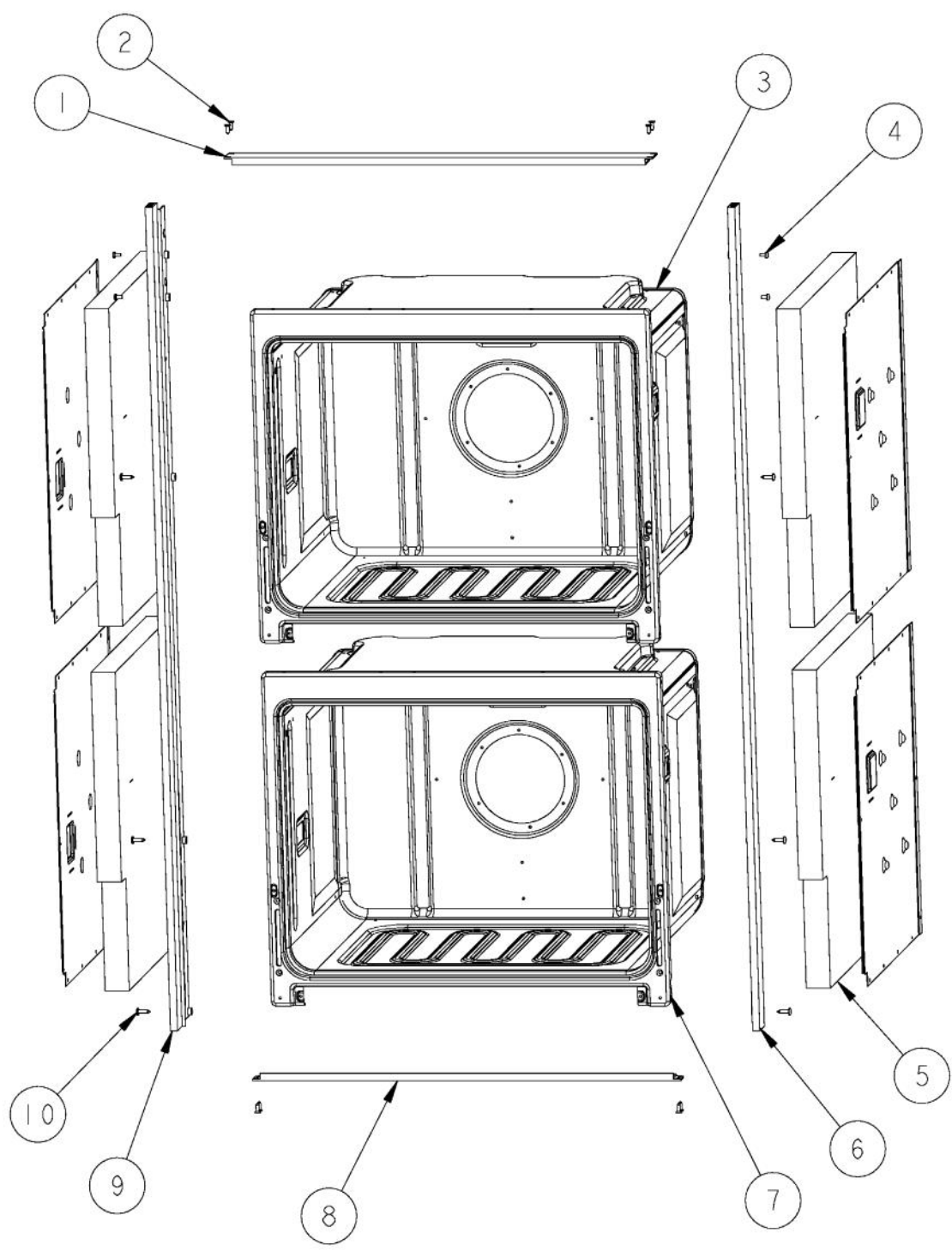
Ref #	Part Number	Qty.	Description
1	A20014047	1	27 REAR COVER
2	A20014046	1	27 FRONT COVER
3	PD020061	N/A	NO.8 X 3/4 FLAT HD TEK. SS.
4	PD020014	2	10X3/4 PH TR HD SMS
5	PE070147	1	TERMINAL BLOCK
6	PD020010	1	10 X 3/8 GREEN GROUNDING SCREW
7	PE050234	1	RELAY BOARD
8	PD020004	24	10X3/8PH.HD.TYPE 25 REPL PD040125
9	A20010934	1	BRACKET, MODULE PAN
10	PD020060	23	10 X 1/2 (5/16)HEX WSHR HD.(T)A
11	PD020002	4	10 X 1/2 PH.TR.HD.SMS.
12	A20010910	2	BRACKET, SUPPORT, ELECTRONICS HAT
13	PD040152	2	SNAP BUSHING
14	PE050210	1	DOOR LATCH
15	PB070079	2	SILICONE EXTRUSION (DGSU)
16	A20010933	N/A	MODULE PAN 27
17	A20010935	1	ELECTRONICS HAT
18	PE050233	2	CONTROL BOARD
19	A10010911	1	COVER, LATCH
20	PD020185	16	NO.6 X 1 PAN HEAD SCREW
21	A2009667	1	REAR AIR DIVIDER
22	PE050250	1	PREMIUM BLOWER WITH HES
23	PE040279	N/A	27 DES. TOP TRIM
NI	A20012649	1	DOOR SWITCH BRACKET
NI	PE050208	1	DOOR SWITCH



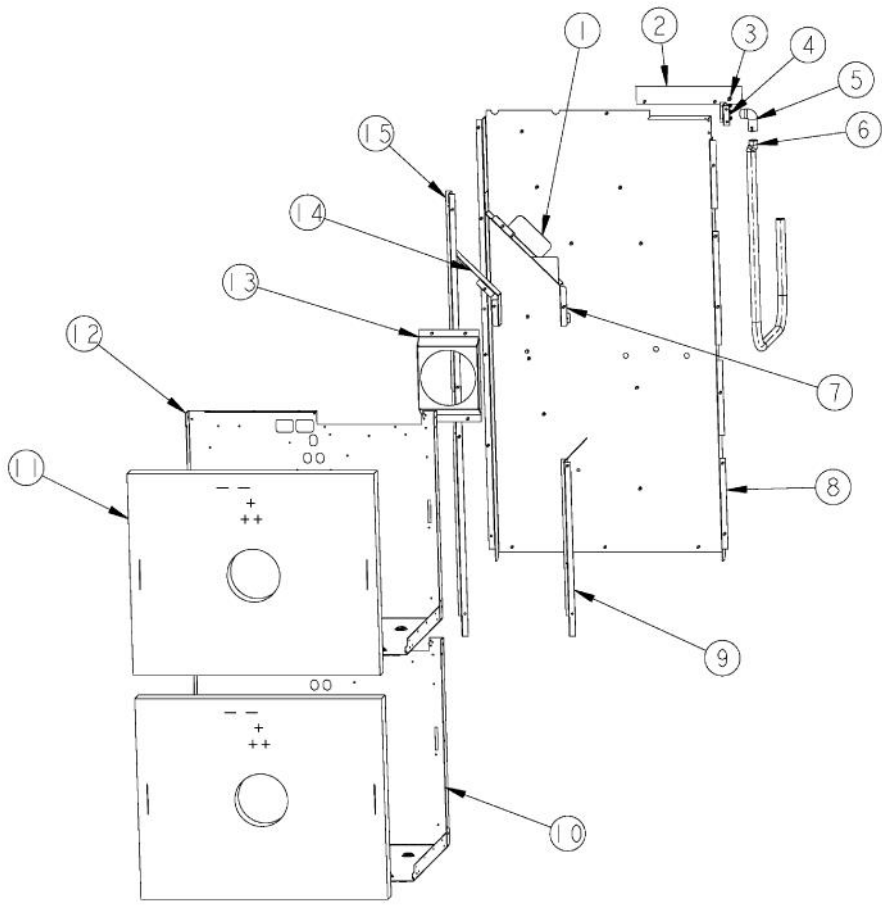
Ref #	Part Number	Qty.	Description
1	PJ010050	1	SEALED BROIL ELEMENT W/GLASS
2	B20014051	1	PREMIERE BROIL ELEMENT BRACKET REAR
3	PB070312	1	CONVECTION MOTOR MTG. PLATE INSULATION
4	G32014020	1	CONVECTION FAN ASSY
5	PJ010047	1	CONVECTION ELEMENT
6	PD020232	8	NO.8 X 3/4 PH PAN HEAD TEK SCREW (BLACK OXIDE)
7	PB060106	1	27 SLIDING OVEN RACK
8	PB060103	1	RACK SUPPORT RH
9	PD020060	11	10 X 1/2 (5/16)HEX WSHER HD.(T)A
10	A2009696	2	HOLDER, BAKE ELEMENT
11	PJ010048	1	BAKE ELEMENT
12	PD020063	2	SCREW-NO.8(A) X 3/8PH WFR HD/BK OXID
13	PB070300	1	27 BOTTOM INSULATION
14	G30010922	1	BASE MODULE ASSY 27
15	A20010932	1	ELEMENT, MTG TRAY
16	E9109655	1	BAKE TRAY COVER
17	PB060105	2	27 OVEN RACK
18	PE050238	2	120 VOLT SIDE HALOGEN LIGHT
19	PB060104	1	RACK SUPPORT LH
20	PD020013	2	TYPE AB NO.6 X 3/8 PH PAN HD. SMS
21	G91013597	1	27 BAFFLE ASSEMBLY
22	PE050239	1	HALOGEN LAMP
23	PE050206	1	RTD THERMOSTAT PROBE
24	PD020055	15	NO.10 X 1/2 PAN PHIL. TEK. SS
25	B20014050	1	PREMIERE BROIL ELEMENT BRACKET FRONT



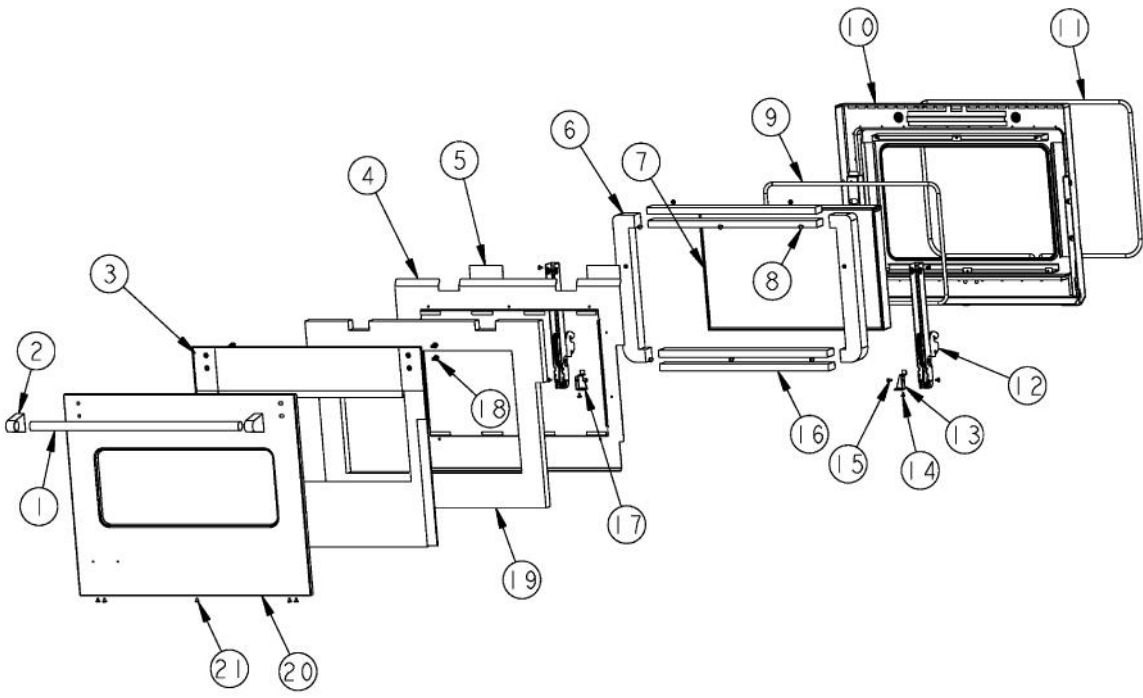
Ref #	Part Number	Qty.	Description
1	A2009659	1	BRACKET, FILLER, BLOWER
2	PE050250	1	PREMIUM BLOWER WITH HES
3	A3009660	1	BRACKET, BLOWER, DBL LOWER OVEN
4	A20014036	1	BOTTOM BLOWER DIVIDER
5	A20012649	1	DOOR SWITCH BRACKET
6	PD020004	4	10X3/8PH.HD.TYPE 25 REPL PD040125
7	PE050208	1	DOOR SWITCH
8	PD020063	2	SCREW-NO.8(A) X 3/8PH WFR HD/BK OXID
9	PJ030039	1	BI-METAL THERMOSTAT 275 DEGREES
10	NOT REPLACEABLE	N/A	OVEN CAVITY (NOT REPLACEABLE PART)
11	PB070079	4	SILICONE EXTRUSION (DGSU)
12	A20014089	1	DISC BRACKET
13	PD020013	2	TYPE AB NO.6 X 3/8 PH PAN HD. SMS
14	PD040004	2	GROMMET BUMPER
15	C90012803BK	1	INLET GRILL DBL LOWER OVEN 27
16	PB070321	1	LOWER LATCH INSULATION
17	PE050210	1	DOOR LATCH
18	PD020060	28	10 X 1/2 (5/16)HEX WSHR HD.(T)A
19	A20012808	1	CATALYST EXHAUST, MIDDLE MODULE



Ref #	Part Number	Qty.	Description
1	PE040271	1	27 PROF. TOP TRIM
2	PD020045	8	NO.8 X 1/2 PH FLAT TEK (ZINC)
3	NOT REPLACEABLE	N/A	OVEN CAVITY (NOT REPLACEABLE PART)
4	PD020004	4	10X3/8PH.HD.TYPE 25 REPL PD040125
5	PB070302	5	SIDE INSULATION
6	PE040277	1	PROF. DOUBLE SIDE TRIM RH
7	NOT REPLACEABLE	N/A	OVEN CAVITY (NOT REPLACEABLE PART)
8	PE040272	1	27 PROF. BOTTOM TRIM
9	PE040278	1	PROF. DOUBLE SIDE TRIM LH
10	PD020014	6	10X3/4 PH TR HD SMS

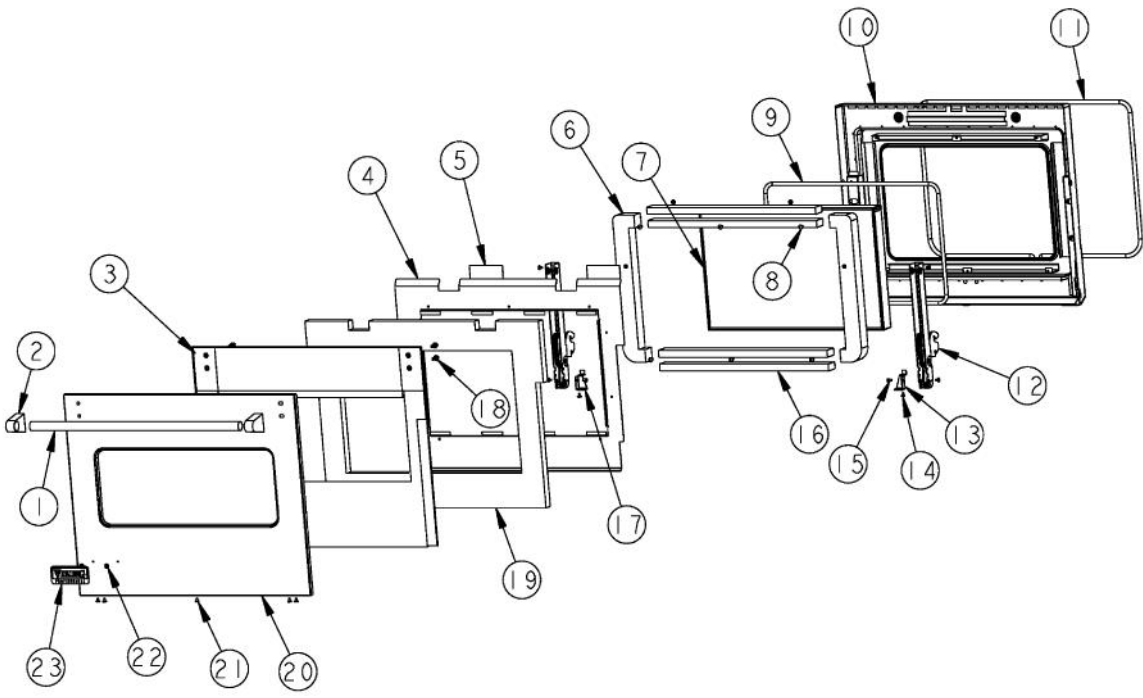


Ref #	Part Number	Qty.	Description
1	A20014052	1	WIRE SHIELD
2	A10010907	1	COVER, BLOWER
3	PD020060	43	10 X 1/2 (5/16)HEX WSHER HD.(T)A
4	A2009671	1	BRACKET, POWER CABLE
5	PB040070	1	CONDUIT FITTING (90 DEG)
6	PB020071	1	CONDUIT - FLEXIBLE (48)
7	A21010918	1	BRACKET, AIR, CONVECTION MOTOR
8	A20012807	1	PANEL, REAR
9	A20012809	1	REAR AIR DIVIDER, DBL, LOWER OVEN
10	NOT REPLACEABLE	N/A	OVEN CAVITY (NOT REPLACEABLE PART)
11	PB070301	2	27 BACK INSULATION
12	NOT REPLACEABLE	N/A	OVEN CAVITY (NOT REPLACEABLE PART)
13	A2009697	2	BRACKET, CONVECTION INSULATION
14	A21010919	2	BRACKET, AIR, CONVECTION MOTOR
15	A2009684	1	REAR AIR DIVIDER, DOUBLE OVEN



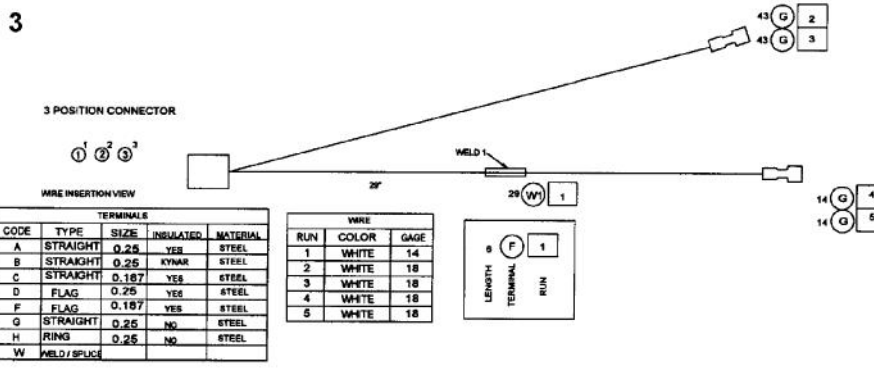
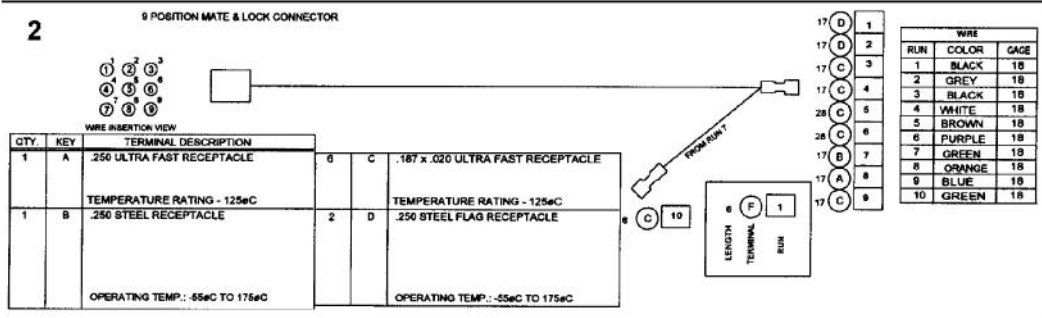
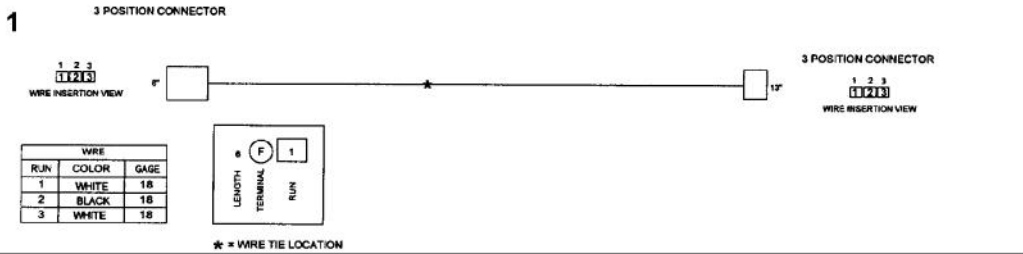
Ref #	Part Number	Qty.	Description
1	PE030178	1	27 PROF. DOOR HANDLE
1	PE030178PVD	1	27 PROF. DOOR HANDLE XPVDX
2	PE030001	2	BRACKET, DOOR, HANDLE
2	PE030001PVD	2	END CAP DOOR HANDLE XBR
3	001501-000	1	PRO 27`` INSULATION RETAINER KIT (AFTER 7-17-06)
4	A20010949	1	PANEL, INSULATION, INNNER DOOR
5	PB070336	1	DOOR BRACKET INSULATION
6	PB070271	2	DOOR PLUG INSULATION
7	PE060093	1	27 WINDOW PACK
8	PD020002	2	10 X 1/2 PH.TR.HD.SMS.
9	000594-000	1	BLACK FIBERGLASS ROPE 3/8
10	G91010942	1	DOOR LINER ASSEMBLY
11	PB070245	1	27 DOOR GASKET
12	PC020248	2	DOOR HINGE
13	A20012640	1	HINGE SUPPORT RH
14	PD020063	2	SCREW-NO.8(A) X 3/8PH WFR HD/BK OXID
15	PD020004	6	10X3/8PH.HD.TYPE 25 REPL PD040125
16	PB070273	4	27 WINDOW PACK INSULATION
17	A20012641	1	HINGE SUPPORT LH
18	PD020186	4	1/4-20 X 3/4 HEX WASHER HEAD MS
19	PB020276	1	TUBE DRAIN 3/8 X 46 AR 36 30
20	PS500016AL	1	27 PRO DOOR SKIN SVC KIT W/O LOGO AFTER 07/17/06 - AL
20	PS500016ALBR	1	27 PRO DOOR SKIN SVC KIT W/O LOGO AFTER 07/17/06 - AL...
20	PS500016BK	1	27 PRO DOOR SKIN SVC KIT W/O LOGO AFTER 07/17/06 - BK
20	PS500016BKBR	1	27 PRO DOOR SKIN SVC KIT W/O LOGO AFTER 07/17/06 - B...
20	PS500016BT	1	27 PRO DOOR SKIN SVC KIT W/O LOGO AFTER 07/17/06 -BT
20	PS500016BTBR	1	27 PRO DOOR SKIN SVC KIT W/O LOGO AFTER 07/17/06 - B...
20	PS500016BU	1	27 PRO DOOR SKIN SVC KIT W/O LOGO AFTER 07/17/06 -BU
20	PS500016BUBR	1	27 PRO DOOR SKIN SVC KIT W/O LOGO AFTER 07/17/06 - B...
20	PS500016CB	1	27 PRO DOOR SKIN SVC KIT W/O LOGO AFTER 07/17/06 - CB
20	PS500016CBBR	1	27 PRO DOOR SKIN SVC KIT W/O LOGO AFTER 07/17/06 - C...
20	PS500016EP	1	27 PRO DOOR SKIN SVC KIT W/O LOGO AFTER 07/17/06 -EP
20	PS500016EPBR	1	27 PRO DOOR SKIN SVC KIT W/O LOGO AFTER 07/17/06 - E...
20	PS500016FG	1	27 PRO DOOR SKIN SERVICE KIT W/O LOGO AFTER 07/17/0...
20	PS500016FGBR	1	27 PRO DOOR SKIN SERVICE KIT W/O LOGO AFTER 07/17/0...
20	PS500016GG	1	27 PRO DOOR SKIN SERVICE KIT W/O LOGO AFTER 07/17/0...
20	PS500016GGBR	1	27 PRO DOOR SKIN SERVICE KIT W/O LOGO AFTER 07/17/0...
20	PS500016LE	1	27 PRO DOOR SKIN SERVICE KIT W/O LOGO AFTER 07/17/0...
20	PS500016LEBR	1	27 PRO DOOR SKIN SERVICE KIT W/O LOGO AFTER 07/17/0...
20	PS500016MJ	1	27 PRO DOOR SKIN SERVICE KIT W/O LOGO AFTER 07/17/0...
20	PS500016MJBR	1	27 PRO DOOR SKIN SERVICE KIT W/O LOGO AFTER 07/17/0...
20	PS500016SG	1	27 PRO DOOR SKIN SERVICE KIT W/O LOGO AFTER 07/17/0...
20	PS500016SGBR	1	27 PRO DOOR SKIN SERVICE KIT W/O LOGO AFTER 07/17/0...
20	PS500016SS	1	27 PRO DOOR SKIN SERVICE KIT W/O LOGO AFTER 07/17/0...
20	PS500016SSBR	1	27 PRO DOOR SKIN SERVICE KIT W/O LOGO AFTER 07/17/0...
20	PS500016VB	1	27 PRO DOOR SKIN SERVICE KIT W/O LOGO AFTER 07/17/0...
20	PS500016VBBR	1	27 PRO DOOR SKIN SERVICE KIT W/O LOGO AFTER 07/17/0...
20	PS500016WH	1	27 PRO DOOR SKIN SERVICE KIT W/O LOGO AFTER 07/17/0...
20	PS500016WHBR	1	27 PRO DOOR SKIN SERVICE KIT W/O LOGO AFTER 07/17/0...
21	PD020032	5	SRW-8(A)X3/8PH.WFR HD 7/16DIAXNICL
NI	G32012720AL	1	27 DOOR ASSY W/O LOGO XALX
NI	G32012720ALBR	1	27 DOOR ASSY W/O LOGO XALBRX
NI	G32012720BK	1	27 DOOR ASSY W/O LOGO XBKX
NI	G32012720BKBR	1	27 DOOR ASSY W/O LOGO XBKBRX
NI	G32012720BT	1	27 DOOR ASSY W/O LOGO XBTX
NI	G32012720BTBR	1	27 DOOR ASSY W/O LOGO XBTBRX
NI	G32012720BU	1	27 DOOR ASSY W/O LOGO XBUX
NI	G32012720BUBR	1	27 DOOR ASSY W/O LOGO XBUBRX
NI	G32012720CB	1	27 DOOR ASSY W/O LOGO XCBX
NI	G32012720CBBR	1	27 DOOR ASSY W/O LOGO XCBBRX

Ref #	Part Number	Qty.	Description
NI	G32012720CBBR	1	27 DOOR ASSY W/O LOGO XCBBRX
NI	G32012720EP	1	27 DOOR ASSY W/O LOGO XEPX
NI	G32012720EPBR	1	27 DOOR ASSY W/O LOGO XEPBRX
NI	G32012720FG	1	27 DOOR ASSY W/O LOGO XFGX
NI	G32012720FGBR	1	27 DOOR ASSY W/O LOGO XFGBRX
NI	G32012720GG	1	27 DOOR ASSY W/O LOGO XGGX
NI	G32012720GGBR	1	27 DOOR ASSY W/O LOGO XGGBRX
NI	G32012720LE	1	27 DOOR ASSY W/O LOGO XLEX
NI	G32012720LEBR	1	27 DOOR ASSY W/O LOGO XLEBRX
NI	G32012720MJ	1	27 DOOR ASSY W/O LOGO XMJX
NI	G32012720MJBR	1	27 DOOR ASSY W/O LOGO XMJBRX
NI	G32012720SG	1	27 DOOR ASSY W/O LOGO XSGX
NI	G32012720SGBR	1	27 DOOR ASSY W/O LOGO XSGBRX
NI	G32012720SS	1	27 DOOR ASSY W/O LOGO
NI	G32012720SSBR	1	27 DOOR ASSY W/O LOGO XSSBRX
NI	G32012720VB	1	27 DOOR ASSY W/O LOGO XVBX
NI	G32012720VBBR	1	27 DOOR ASSY W/O LOGO XVBBRX
NI	G32012720WH	1	27 DOOR ASSY W/O LOGO XWHX
NI	G32012720WHBR	1	27 DOOR ASSY W/O LOGO XWHBRX
NI	017736-000	1	WINDOW PACK INSULATION KIT

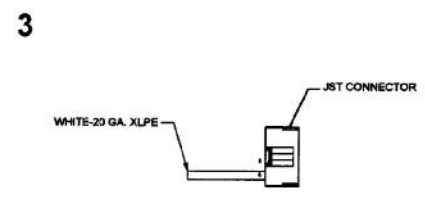
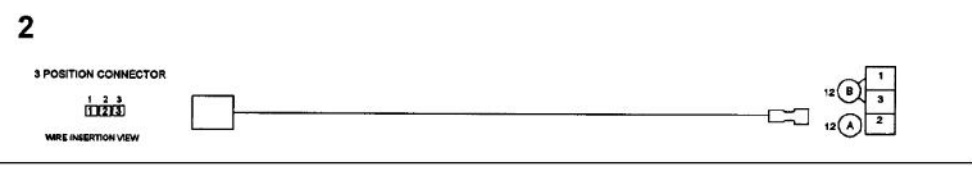
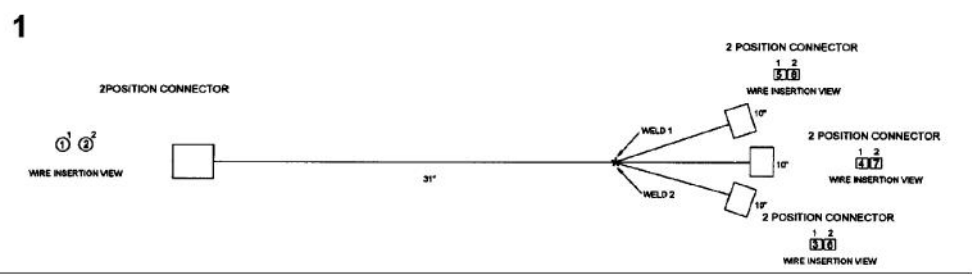


Ref #	Part Number	Qty.	Description
1	PE030178	1	27 PROF. DOOR HANDLE
1	PE030178PVD	1	27 PROF. DOOR HANDLE XPVDX
2	PE030001	2	BRACKET, DOOR, HANDLE
2	PE030001PVD	2	END CAP DOOR HANDLE XBR
3	001501-000	1	PRO 27`` INSULATION RETAINER KIT (AFTER 7-17-06)
4	A20010949	1	PANEL, INSULATION, INNNER DOOR
5	PB070336	1	DOOR BRACKET INSULATION
6	PB070271	6	DOOR PLUG INSULATION
7	PE060093	1	27 WINDOW PACK
8	PD020002	8	10 X 1/2 PH.TR.HD.SMS.
9	000594-000	1	BLACK FIBERGLASS ROPE 3/8
10	G91010942	1	DOOR LINER ASSEMBLY
11	PB070245	1	27 DOOR GASKET
12	PC020248	2	DOOR HINGE
13	A20012640	1	HINGE SUPPORT RH
14	PD020063	2	SCREW-NO.8(A) X 3/8PH WFR HD/BK OXID
15	PD020004	6	10X3/8PH.HD.TYPE 25 REPL PD040125
16	PB070273	4	27 WINDOW PACK INSULATION
17	A20012641	1	HINGE SUPPORT LH
18	PD020186	4	1/4-20 X 3/4 HEX WASHER HEAD MS
19	PB070276	1	27 DOOR INSULATION
20	PS500014AL	1	27 PRO DOOR SKIN SERVICE KIT W/LOGO AFTER 07/17/06 -...
20	PS500014ALBR	1	27 PRO DOOR SKIN SERVICE KIT W/LOGO AFTER 07/17/06 -...
20	PS500014BK	1	27 PRO DOOR SKIN SERVICE KIT W/LOGO AFTER 07/17/06 -...
20	PS500014BKBR	1	27 PRO DOOR SKIN SERVICE KIT W/LOGO AFTER 07/17/06 -...
20	PS500014BT	1	27 PRO DOOR SKIN SERVICE KIT W/LOGO AFTER 07/17/06 -...
20	PS500014BTBR	1	27 PRO DOOR SKIN SERVICE KIT W/LOGO AFTER 07/17/06 -...
20	PS500014BU	1	27 PRO DOOR SKIN SERVICE KIT W/LOGO AFTER 07/17/06 -...
20	PS500014BUBR	1	27 PRO DOOR SKIN SERVICE KIT W/LOGO AFTER 07/17/06 -...
20	PS500014CB	1	27 PRO DOOR SKIN SERVICE KIT W/LOGO AFTER 07/17/06 -...
20	PS500014CBBR	1	27 PRO DOOR SKIN SERVICE KIT W/LOGO AFTER 07/17/06 -...
20	PS500014EP	1	27 PRO DOOR SKIN SERVICE KIT W/LOGO AFTER 07/17/06 -...
20	PS500014EPBR	1	27 PRO DOOR SKIN SERVICE KIT W/LOGO AFTER 07/17/06 -...
20	PS500014FG	1	27 PRO DOOR SKIN SERVICE KIT W/LOGO AFTER 07/17/06 -...
20	PS500014FGBR	1	27 PRO DOOR SKIN SERVICE KIT W/LOGO AFTER 07/17/06 -...
20	PS500014GG	1	27 PRO DOOR SKIN SERVICE KIT W/LOGO AFTER 07/17/06 -...
20	PS500014GGBR	1	27 PRO DOOR SKIN SERVICE KIT W/LOGO AFTER 07/17/06 -...
20	PS500014LE	1	27 PRO DOOR SKIN SERVICE KIT W/LOGO AFTER 07/17/06 -...
20	PS500014LEBR	1	27 PRO DOOR SKIN SERVICE KIT W/LOGO AFTER 07/17/06 -...
20	PS500014MJ	1	27 PRO DOOR SKIN SERVICE KIT W/LOGO AFTER 07/17/06 -...
20	PS500014MJBR	1	27 PRO DOOR SKIN SERVICE KIT W/LOGO AFTER 07/17/06 -...
20	PS500014SG	1	27 PRO DOOR SKIN SERVICE KIT W/LOGO AFTER 07/17/06 -...
20	PS500014SGBR	1	27 PRO DOOR SKIN SERVICE KIT W/LOGO AFTER 07/17/06 -...
20	PS500014SS	1	27 PRO DOOR SKIN SERVICE KIT W/LOGO AFTER 07/17/06 -...
20	PS500014SSBR	1	27 PRO DOOR SKIN SERVICE KIT W/LOGO AFTER 07/17/06 -...
20	PS500014VB	1	27 PRO DOOR SKIN SERVICE KIT W/LOGO AFTER 07/17/06 -...
20	PS500014VBBR	1	27 PRO DOOR SKIN SERVICE KIT W/LOGO AFTER 07/17/06 -...
20	PS500014WH	1	27 PRO DOOR SKIN SERVICE KIT W/LOGO AFTER 07/17/06 -...
20	PS500014WHBR	1	27 PRO DOOR SKIN SERVICE KIT W/LOGO AFTER 07/17/06 -...
21	PD020032	5	SRW-8(A)X3/8PH.WFR HD 7/16DIAXNICL
22	PD030006	2	CAPPED WASHER PAL NUT
23	PE010016	1	NAMEPLATE, LOGO, PRO
23	PE010017	1	LOGO (VGSO,VEDO,VGDO,VUD) XWH/CHR
23	PE010079	1	4.5 LOGO/VIKING PROF, BK/BR
23	PE010080	1	4.5 LOGO/VIKING PROF XWH/BR
NI	G32012719AL	1	27 DOOR ASSY W/LOGO XALX
NI	G32012719ALBR	1	27 DOOR ASSY W/LOGO XALBRX
NI	G32012719BK	1	27 DOOR ASSY W/LOGO XBKX
NI	G32012719BKBR	1	27 DOOR ASSY W/LOGO XBKBRX
NI	G32012719BT	1	27 DOOR ASSY W/LOGO XBTX

Ref #	Part Number	Qty.	Description
NI	G32012719BT	1	27 DOOR ASSY W/LOGO XBTX
NI	G32012719BTBR	1	27 DOOR ASSY W/LOGO XBTBRX
NI	G32012719BU	1	27 DOOR ASSY W/LOGO XBUX
NI	G32012719BUBR	1	27 DOOR ASSY W/LOGO XBUBRX
NI	G32012719CB	1	27 DOOR ASSY W/LOGO XCBX
NI	G32012719CBBR	1	27 DOOR ASSY W/LOGO XCBBRX
NI	G32012719EP	1	27 DOOR ASSY W/LOGO XEPX
NI	G32012719EPBR	1	27 DOOR ASSY W/LOGO XEPBRX
NI	G32012719FG	1	27 DOOR ASSY W/LOGO XFGX
NI	G32012719FGBR	1	27 DOOR ASSY W/LOGO XFGBRX
NI	G32012719GG	1	27 DOOR ASSY W/LOGO XGGX
NI	G32012719GGBR	1	27 DOOR ASSY W/LOGO XGGBRX
NI	G32012719LE	1	27 DOOR ASSY W/LOGO XLEX
NI	G32012719LEBR	1	27 DOOR ASSY W/LOGO XLEBRX
NI	G32012719MJ	1	27 DOOR ASSY W/LOGO XMJX
NI	G32012719MJBR	1	27 DOOR ASSY W/LOGO XMJBRX
NI	G32012719SG	1	27 DOOR ASSY W/LOGO XSGX
NI	G32012719SGBR	1	27 DOOR ASSY W/LOGO XSGBRX
NI	G32012719SS	1	27 DOOR ASSY W/LOGO
NI	G32012719SSBR	1	27 DOOR ASSY W/LOGO XSSBRX
NI	G32012719VB	1	27 DOOR ASSY W/LOGO XVBX
NI	G32012719VBBR	1	27 DOOR ASSY W/LOGO XVBBRX
NI	G32012719WH	1	27 DOOR ASSY W/LOGO XWHX
NI	G32012719WHBR	1	27 DOOR ASSY W/LOGO XWHBRX
NI	017736-000	1	WINDOW PACK INSULATION KIT

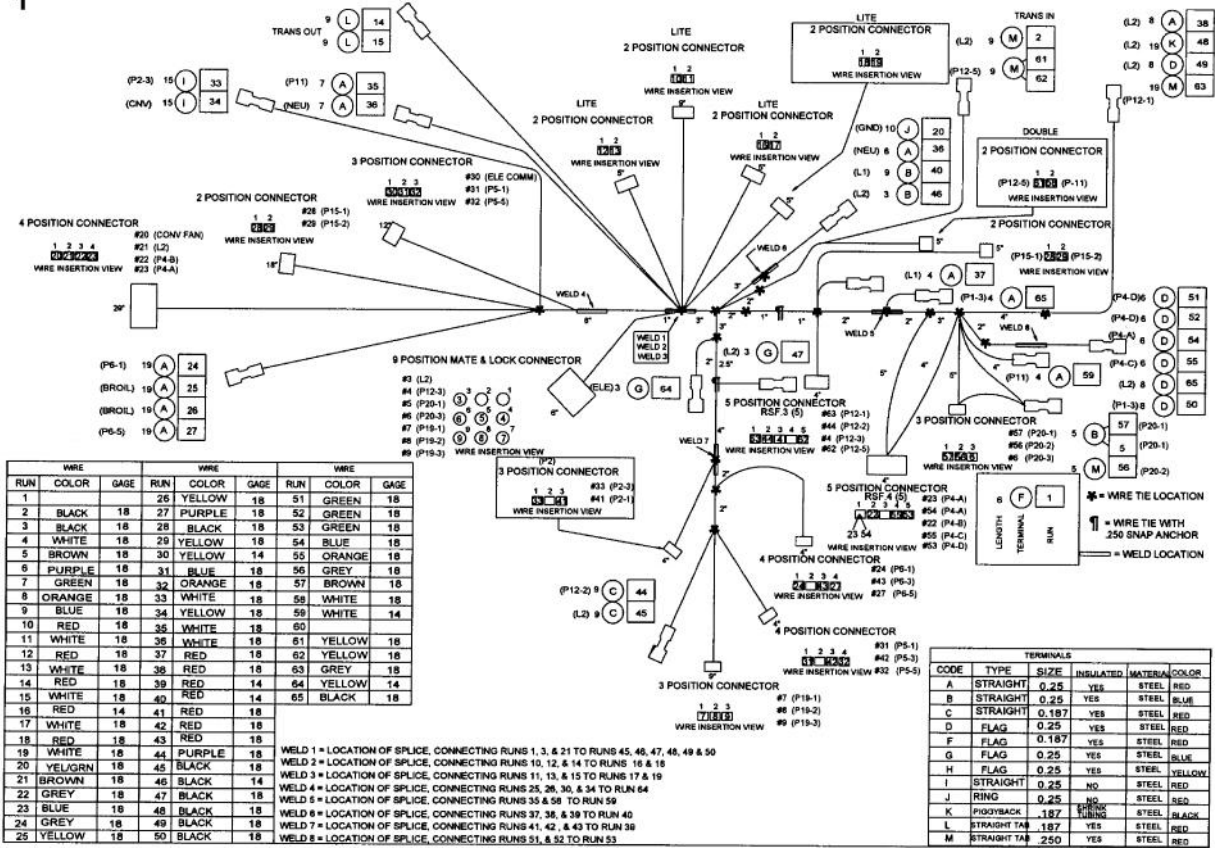


Ref #	Part Number	Qty.	Description
1	PE070738	1	T/STAT-SEL HARNESS
NI	PE070733	1	UPPER LATCH HARNESS
NI	PE070739	1	BAKE ELEMENT HARNESS
NI	G4005496	1	SUPPLY WIRE - 100 BK 10GA SO/DO
NI	G4005497	1	SUPPLY WIRE - 100 GREEN 10GA SO/DO
NI	G4005499	1	SUPPLY WIRE - 100 RED 10GA SO/DO
NI	G4005494	1	SUPPLY WIRE - 75 WH 12 GA SO/DO



Ref #	Part Number	Qty.	Description
1	PE070741	1	LOWER LIGHT HARNESS
2	PE070744	1	DOUBLE CLOCK HARNESS
3	PE070795	1	10 POSITION 27 L.O.

1



WIRE	WIRE	WIRE	WIRE	WIRE	WIRE	WIRE	WIRE	
RUN	COLOR	GAGE	RUN	COLOR	GAGE	RUN	COLOR	GAGE
1			26	YELLOW	18	51	GREEN	18
2	BLACK	18	27	PURPLE	18	52	GREEN	18
3	BLACK	18	28	BLACK	18	53	GREEN	18
4	WHITE	18	29	YELLOW	18	54	BLUE	18
5	BROWN	18	30	YELLOW	14	55	ORANGE	18
6	PURPLE	18	31	BLUE	18	56	GREY	18
7	GREEN	18	32	ORANGE	18	57	BROWN	18
8	ORANGE	18	33	WHITE	18	58	WHITE	18
9	BLUE	18	34	YELLOW	18	59	WHITE	14
10	RED	18	35	WHITE	18	60		
11	WHITE	18	36	WHITE	18	61	YELLOW	18
12	RED	18	37	RED	18	62	YELLOW	18
13	WHITE	18	38	RED	18	63	GREY	18
14	RED	18	39	RED	14	64	YELLOW	14
15	WHITE	18	40	RED	14	65	BLACK	18
16	RED	14	41	RED	18			
17	WHITE	18	42	RED	18			
18	RED	18	43	RED	18			
19	WHITE	18	44	PURPLE	18			
20	YELLOW	18	45	BLACK	18			
21	BROWN	18	46	BLACK	14			
22	GREY	18	47	BLACK	18			
23	BLUE	18	48	BLACK	18			
24	GREY	18	49	BLACK	18			
25	YELLOW	18	50	BLACK	18			

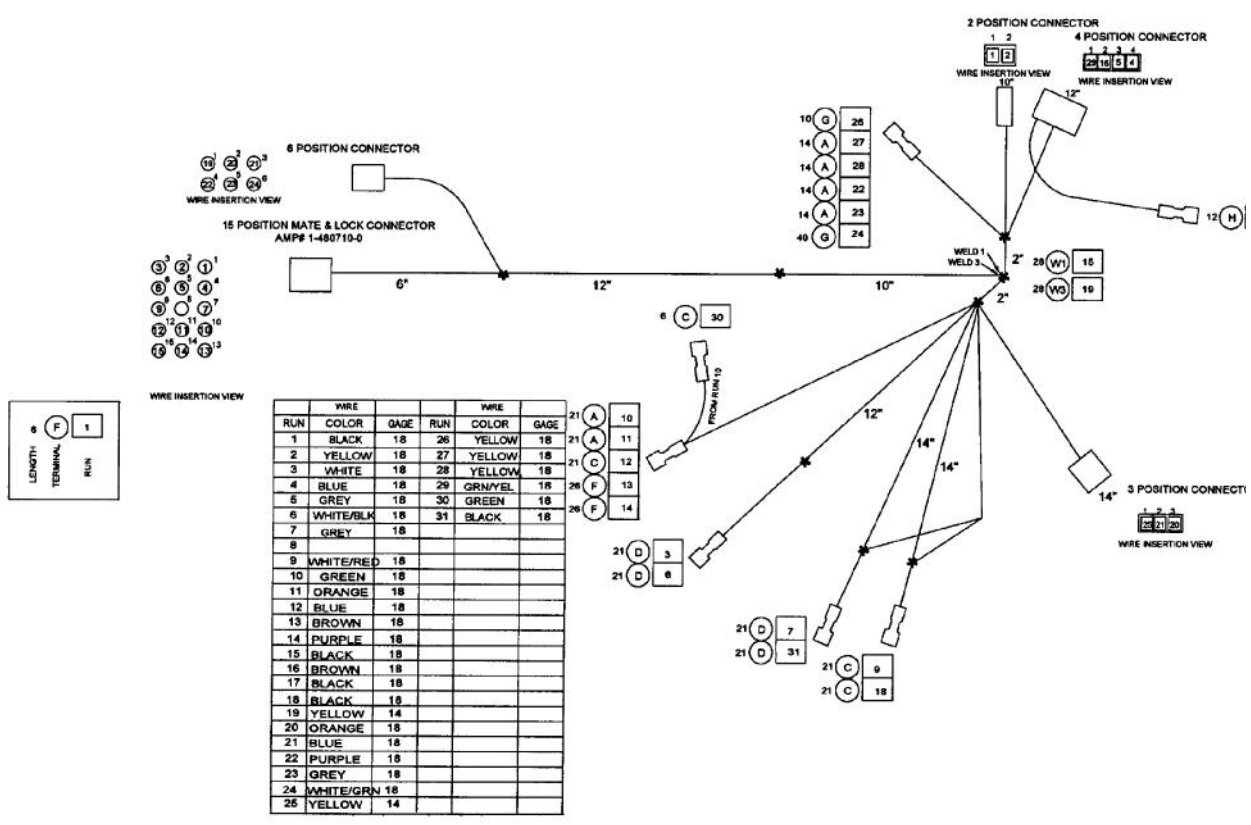
WELD 1 = LOCATION OF SPLICE, CONNECTING RUNS 1, 3, & 21 TO RUNS 45, 46, 47, 48, 49 & 50  
 WELD 2 = LOCATION OF SPLICE, CONNECTING RUNS 10, 12, & 14 TO RUNS 18 & 19  
 WELD 3 = LOCATION OF SPLICE, CONNECTING RUNS 11, 13, & 15 TO RUNS 17 & 19  
 WELD 4 = LOCATION OF SPLICE, CONNECTING RUNS 25, 26, 30, & 34 TO RUN 64  
 WELD 5 = LOCATION OF SPLICE, CONNECTING RUNS 35 & 58 TO RUN 59  
 WELD 6 = LOCATION OF SPLICE, CONNECTING RUNS 37, 38, & 39 TO RUN 40  
 WELD 7 = LOCATION OF SPLICE, CONNECTING RUNS 41, 42, & 43 TO RUN 38  
 WELD 8 = LOCATION OF SPLICE, CONNECTING RUNS 51, & 52 TO RUN 53

CODE	TYPE	SIZE	INSULATED	MATERIAL	COLOR
A	STRAIGHT	0.25	YES	STEEL	RED
B	STRAIGHT	0.25	YES	STEEL	BLUE
C	STRAIGHT	0.187	YES	STEEL	RED
D	FLAG	0.25	YES	STEEL	RED
F	FLAG	0.187	YES	STEEL	RED
G	FLAG	0.25	YES	STEEL	BLUE
H	FLAG	0.25	YES	STEEL	YELLOW
I	STRAIGHT	0.25	NO	STEEL	RED
J	RING	0.25	NO	STEEL	RED
K	PIEDBACK	1.87	NO	STEEL	BLACK
L	STRAIGHT TAB	1.87	YES	STEEL	RED
M	STRAIGHT TAB	2.50	YES	STEEL	RED

Ref #	Part Number	Qty.	Description
1	PE070742	1	UPPER CONTROL HARNESS



Ref #	Part Number	Qty.	Description
1	PE070736	1	LOWER CONTROL HARNESS



Ref #	Part Number	Qty.	Description
1	PE070740	1	LOWER LATCH HARNESS

*No Image  
Available*

Ref #	Part Number	Qty.	Description
1	PE070845	1	TOUCH CONTROL KEYBOARD HARNESS

*No Image  
Available*

Ref #	Part Number	Qty.	Description
1	PE070846	1	TOUCH CONTROL DISPLAY HARNESS