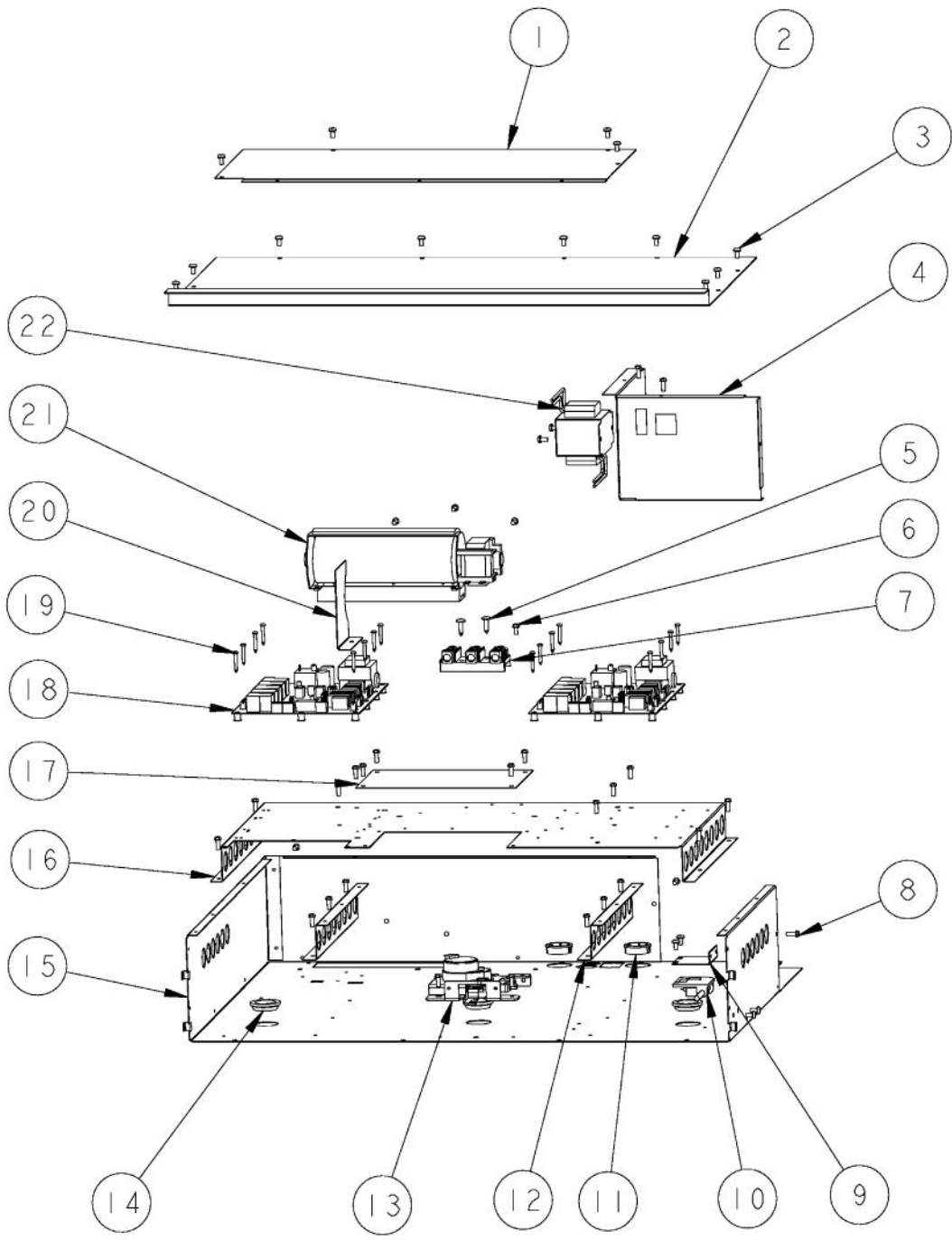
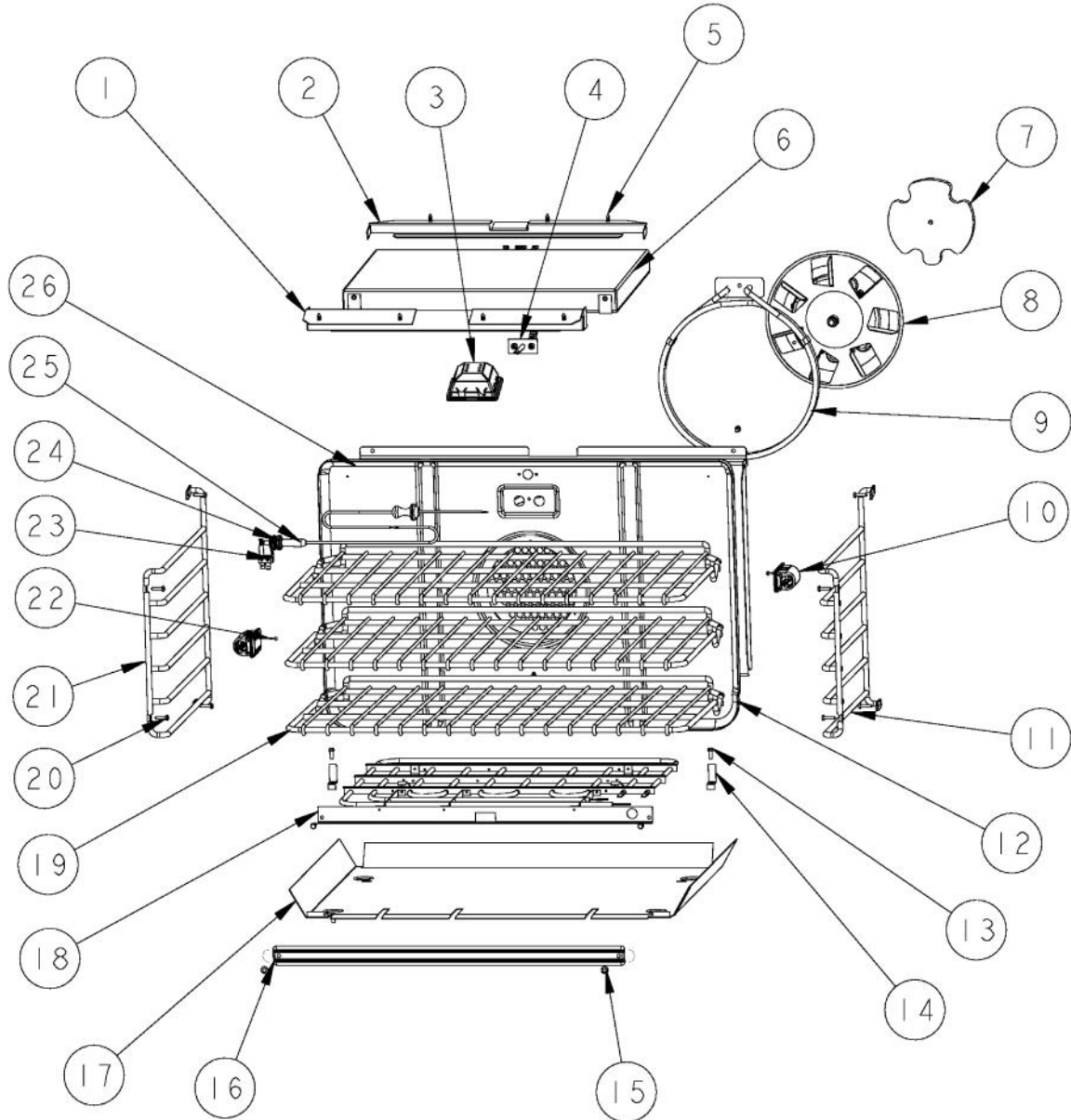


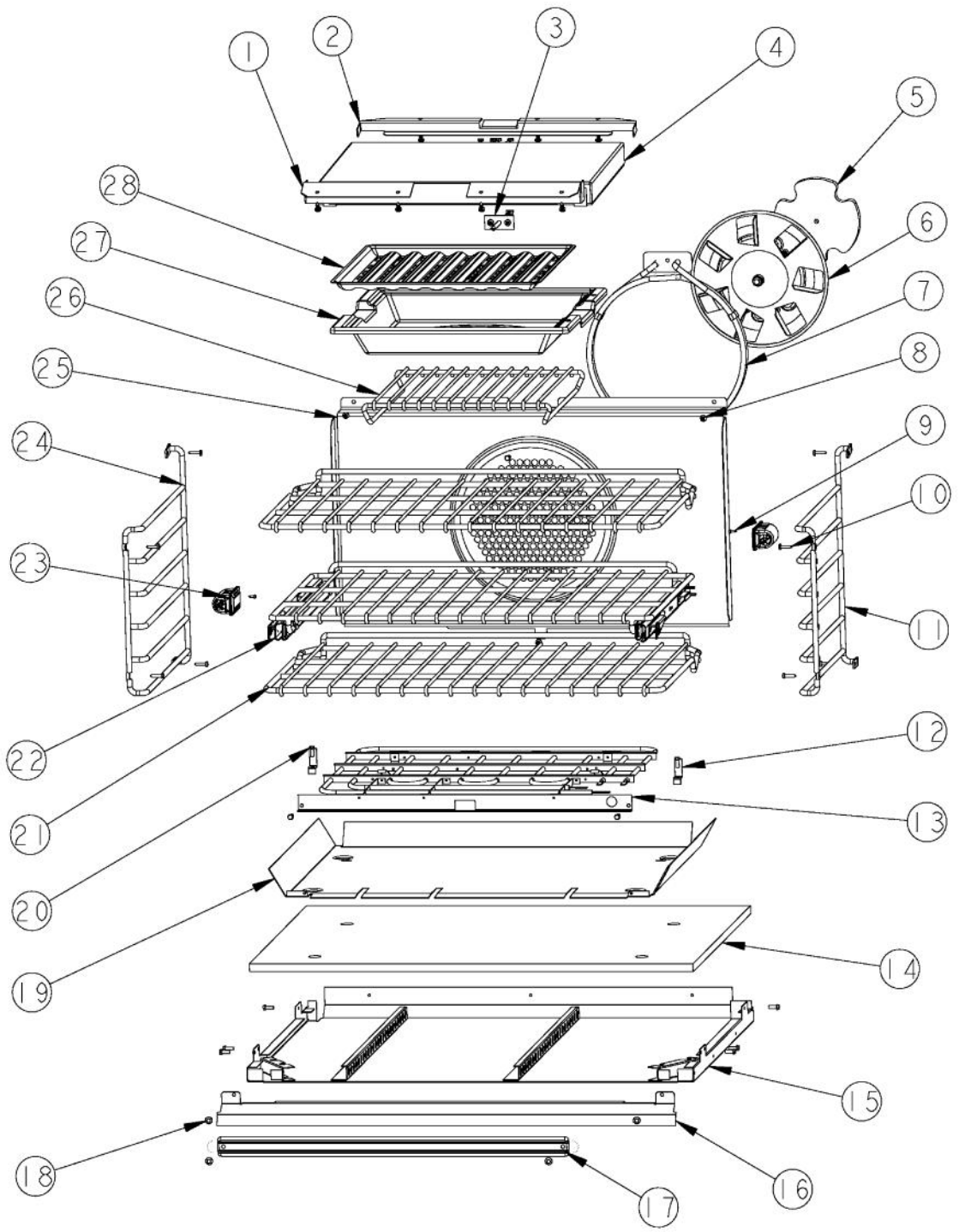
Ref #	Part Number	Qty.	Description
1	C90014072BK	1	30 INLET GRILL
	C90014072WH	1	30 INLET GRILLXWHX
2	PJ030033	2	SELECTOR (10 POS)
3	PJ030035	2	THERMOSTAT
4	PD020004	20	10X3/8PH.HD.TYPE 25 REPL PD040125
5	PE050247	4	EBM FAN MOTOR CAPACITOR
6	A10014027	1	4 CAPACITOR BRACKET
7	PD040164	4	5/16 INTERNAL TOOTH LOCK WASHER TYPE A
8	PD030172	4	M8 X 1.25MM NUT
9	PE050140	1	ANALOG CLOCK 220V 50/60H
10	PE050072	4	LENS OPENING (250 VOLT)
11	PE050023	4	OVEN IND. LIGHT (LENS & BEZEL)
12	PJ030036	1	3 POSITION SELECTOR SWITCH
13	007698-000	1	BRACKET, SWITCH SELECTOR
14	007674-000	1	BRACKET, CLOCK RIGHT
15	009590-000	1	MOUNT, PNL
16	007647-000	1	30 DOUBLE PRO PREMIERE CONTROL PANEL
	007662-000	1	30 DOUBLE CONTROL PANEL - BK
17	PB010304	4	KNOB BEZEL
18	PA010192	1	DES. MANUAL TIME KNOB
19	PD020261	8	NO.8-32X1/2 PH PANHEAD MACH. SCREW
20	PB010313	1	DESIGNER BIT GENERATOR KNOB
	PB010313PVD	1	DESIGNER BIT GENERATOR KNOB-BRASS
21	PB010305	4	PROF. SELECTOR/THERMOSTAT KNOB
22	PA010093	1	DESIGNER OVEN LT SWITCH KNOB
23	009589-000	1	BRACKET, LT
24	PE050076	1	DESIGNER OVEN LIGHT SWITCH
25	PD040004	2	GROMMET BUMPER
26	007671-000	1	BRACKET, CLOCK LEFT



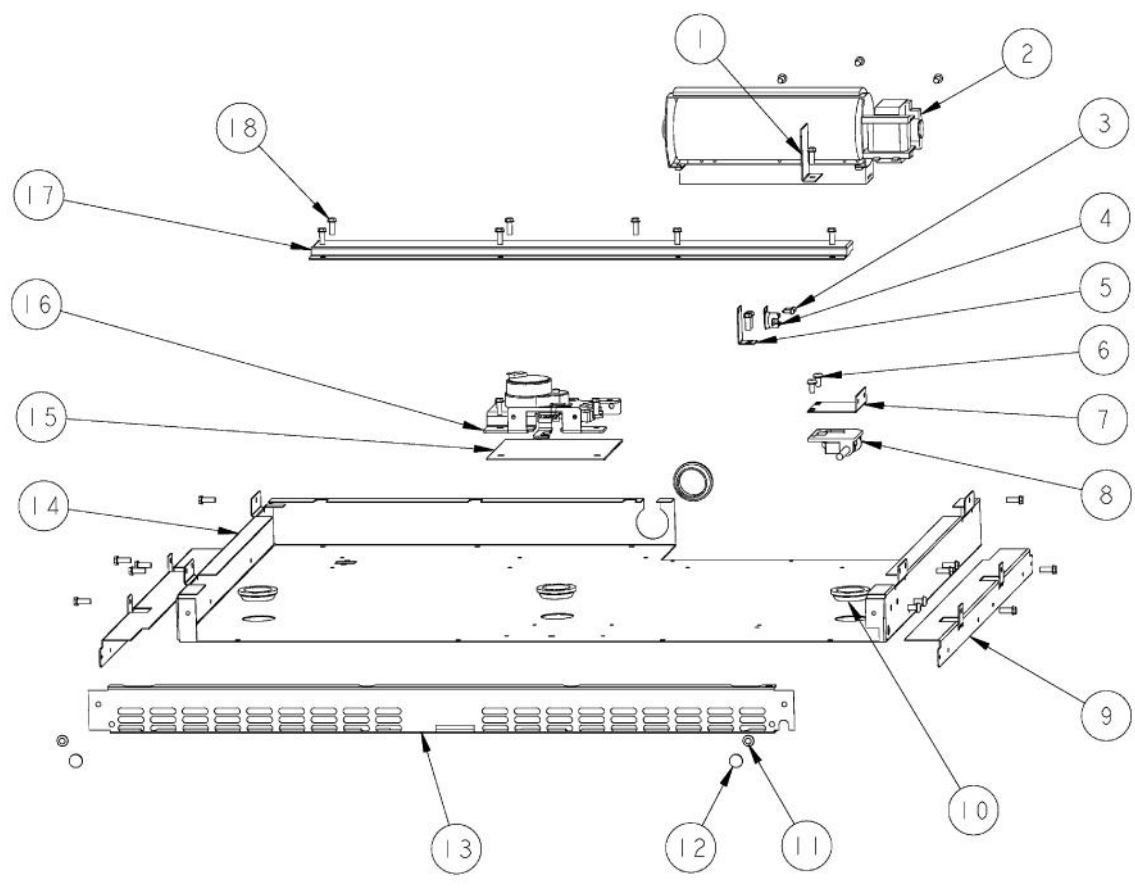
Ref #	Part Number	Qty.	Description
1	A20014049	1	30 REAR COVER
2	A20014048	1	30 FRONT COVER
3	PD020004	19	10X3/8PH.HD.TYPE 25 REPL PD040125
4	A20010934	1	BRACKET, MODULE PAN
5	PD020014	2	10X3/4 PH TR HD SMS
6	PD020010	1	10 X 3/8 GREEN GROUNDING SCREW
7	PE070147	1	TERMINAL BLOCK
8	PD020060	30	10 X 1/2 (5/16)HEX WSHR HD.(T)A
9	A20012649	1	DOOR SWITCH BRACKET
10	PE050208	1	DOOR SWITCH
11	PD040152	2	SNAP BUSHING
12	A20010910	2	BRACKET, SUPPORT, ELECTRONICS HAT
13	PE050210	2	DOOR LATCH BEFORE 1/21/09
13	013250-000	2	LATCH,DOOR,ASM,240V,GRIDDLE LOCKOUT USED BETWEEN 1/21/09 - 10/31/2013
13	039293-000	2	LATCH, ELEC, 240V, ASSY AFTER 10/31/13
14	PB070079	3	SILICONE EXTRUSION (DGSU)
15	NOT REPLACEABLE	N/A	OVEN CAVITY (NOT REPLACEABLE PART)
16	A2009672	1	ELECTRONICS HAT
17	A10010911	1	COVER, LATCH
18	PE070631	2	CONTROL BOARD
19	PD020185	16	NO.6 X 1 PAN HEAD SCREW
20	A2009667	1	REAR AIR DIVIDER
21	PE050250	1	PREMIUM BLOWER WITH HES BEFORE 2/4/2013
21	018607-000	1	FAN,BLO, 220-240V 50/60HZ ASSY AFTER 2/4/2013
22	PE070634	1	HALOGEN LIGHT TRANSFORMER



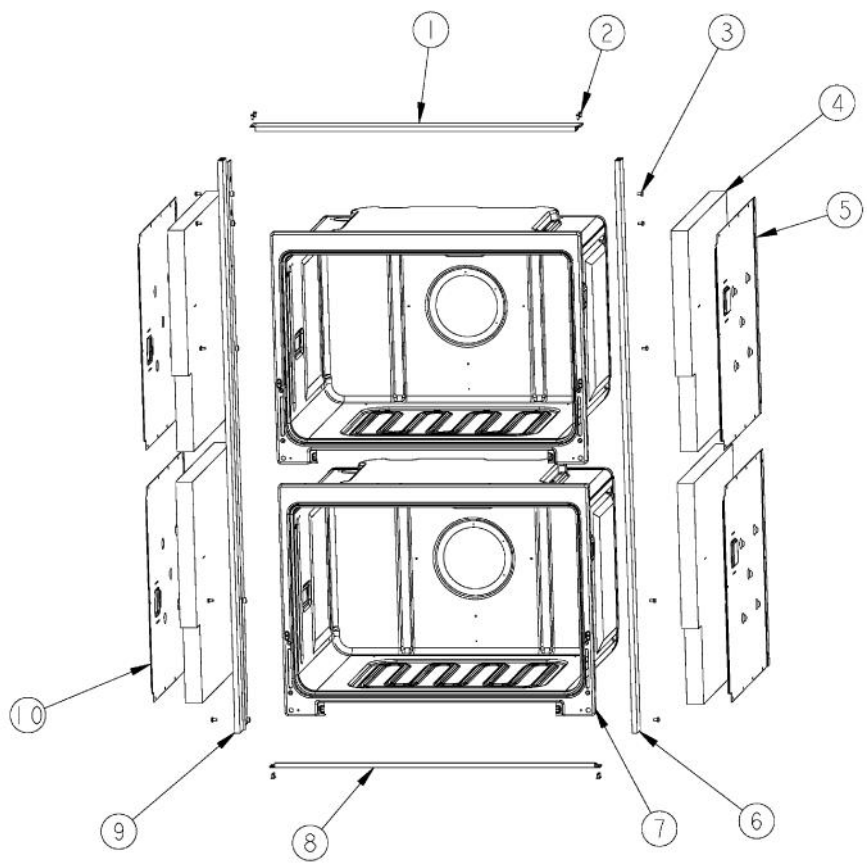
Ref #	Part Number	Qty.	Description
1	B20014050	1	PREMIERE BROIL ELEMENT BRACKET FRONT
2	B20014051	1	PREMIERE BROIL ELEMENT BRACKET REAR
3	PE050239	1	HALOGEN LAMP
4	PE050206	1	RTD THERMOSTAT PROBE
5	PD020055	12	NO.10 X 1/2 PAN PHIL. TEK. SS
6	PJ010050	1	SEALED BROIL ELEMENT W/GLASS
7	PB070312	1	CONVECTION MOTOR MTG. PLATE INSULATION
8	G32014020	1	CONVECTION FAN ASSY
9	PJ010047	1	CONVECTION ELEMENT
10	PE050238	2	120 VOLT SIDE HALOGEN LIGHT
11	PB060103	1	RACK SUPPORT RH
12	NOT REPLACEABLE	N/A	OVEN CAVITY (NOT REPLACEABLE PART)
13	PD020060	7	10 X 1/2 (5/16)HEX WSHER HD.(T)A
14	A2009696	2	HOLDER, BAKE ELEMENT
15	PD020063	2	SCREW-NO.8(A) X 3/8PH WFR HD/BK OXID
16	E2109655	1	COVER, BAKE TRAY
17	A2009612	1	ELEMENT, MTG TRAY
18	PJ010048	1	BAKE ELEMENT
19	PB060107	3	30 OVEN RACK
20	PD020232	8	NO.8 X 3/4 PH PAN HEAD TEK SCREW (BLACK OXIDE)
21	PB060104	1	RACK SUPPORT LH
22	PD020013	2	TYPE AB NO.6 X 3/8 PH PAN HD. SMS
23	PE050115	1	MEAT PROBE JACK
24	PM010160	1	MEAT PROBE JACK COVER
25	PE050114	1	MEAT PROBE (DESO/DEDO) (SWITCHCRAFT'S PART NO. 4...
26	G91013598	1	30 BAFFLE ASSEMBLY



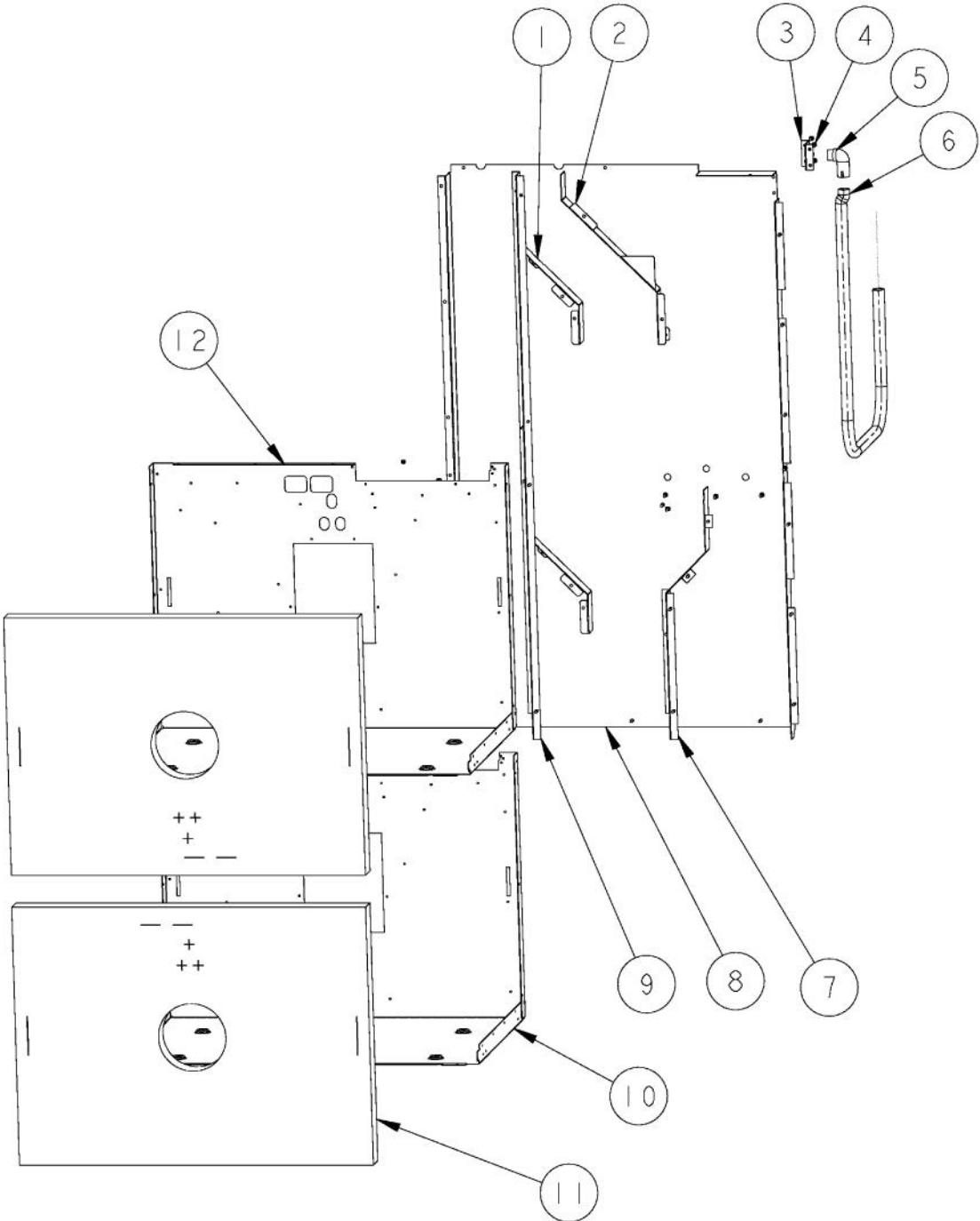
Ref #	Part Number	Qty.	Description
1	B20014050	1	PREMIERE BROIL ELEMENT BRACKET FRONT
2	B20014051	1	PREMIERE BROIL ELEMENT BRACKET REAR
3	PE050206	1	RTD THERMOSTAT PROBE
4	PJ010050	1	SEALED BROIL ELEMENT W/GLASS
5	PB070312	1	CONVECTION MOTOR MTG. PLATE INSULATION
6	G32014020	1	CONVECTION FAN ASSY
7	PJ010047	1	CONVECTION ELEMENT
8	PD020055	13	NO.10 X 1/2 PAN PHIL. TEK. SS
9	PD020013	2	TYPE AB NO.6 X 3/8 PH PAN HD. SMS
10	PD020232	8	NO.8 X 3/4 PH PAN HEAD TEK SCREW (BLACK OXIDE)
11	PB060103	1	RACK SUPPORT RH
12	A2009696	2	HOLDER, BAKE ELEMENT
13	PJ010048	1	BAKE ELEMENT
14	PB070303	1	30 BOTTOM INSULATION
15	G3009694	1	BASE MODULE ASSY 30
16	003228-002	1	AIR DIVERter, 30, BK
17	E2109655	1	COVER, BAKE TRAY
18	PD020063	4	SCREW-NO.8(A) X 3/8PH WFR HD/BK OXID
19	A2009612	1	ELEMENT, MTG TRAY
20	PD020060	14	10 X 1/2 (5/16)HEX WSHER HD.(T)A
21	PB060107	3	30 OVEN RACK
22	PB060108	1	SLIDING RACK
23	PE050238	2	120 VOLT SIDE HALOGEN LIGHT
24	PB060104	1	RACK SUPPORT LH
25	G91013598	1	30 BAFFLE ASSEMBLY
26	PB080020	1	BROILER PAN RACK
27	E9107933	1	BROILER PAN
28	E9107934	1	BROILER PAN INSERT



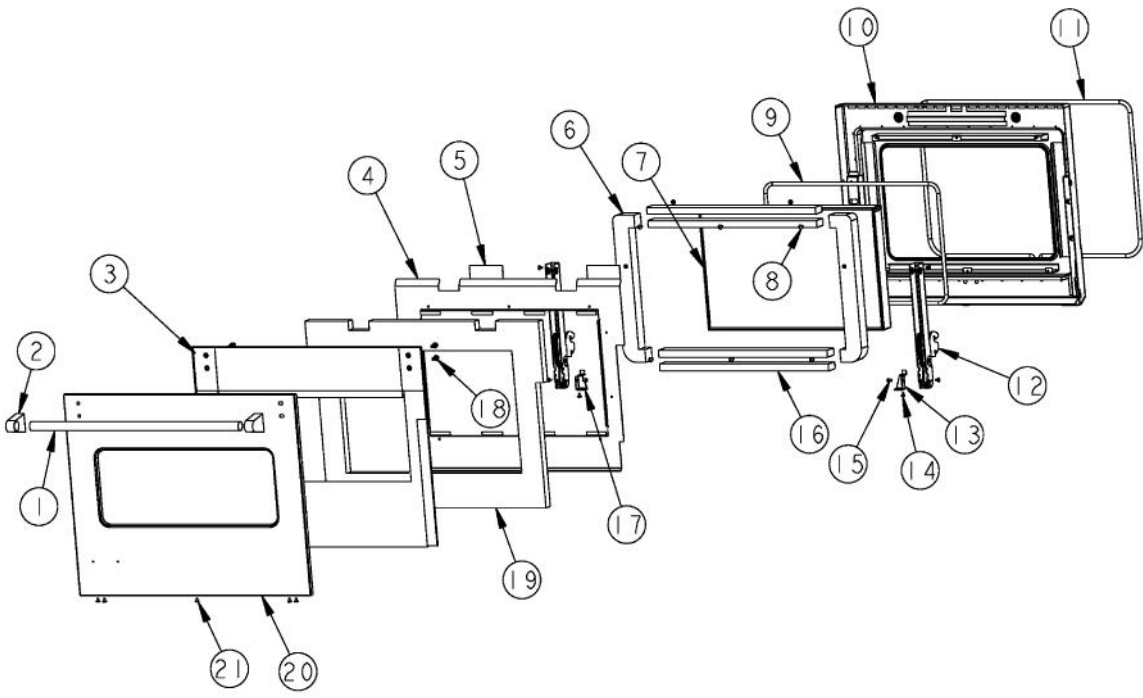
Ref #	Part Number	Qty.	Description
1	A20014036	1	BOTTOM BLOWER DIVIDER
2	PE050228	1	PREMIUM BLOWER
3	PD020013	2	TYPE AB NO.6 X 3/8 PH PAN HD. SMS
4	PJ030039	1	BI-METAL THERMOSTAT 275 DEGREES
5	A20014089	1	DISC BRACKET
6	PD020004	4	10X3/8PH.HD.TYPE 25 REPL PD040125
7	A20012649	1	DOOR SWITCH BRACKET
8	PE050208	1	DOOR SWITCH
9	A2009641	2	BRKT, TOP WRAPPER
10	PB070079	4	SILICONE EXTRUSION (DGSU)
11	PD020063	2	SCREW-NO.8(A) X 3/8PH WFR HD/BK OXID
12	PD040004	2	GROMMET BUMPER
13	C9009680BK	1	INLET GRILL DBL LOWER OVEN 30
14	NOT REPLACEABLE	N/A	OVEN CAVITY (NOT REPLACEABLE PART)
15	PB070321	1	LOWER LATCH INSULATION
16	PE050210	1	DOOR LATCH
17	A2009682	1	CATALYST EXHAUST, MIDDLE MODULE
18	PD020060	25	10 X 1/2 (5/16)HEX WSHER HD.(T)A



Ref #	Part Number	Qty.	Description
1	PE040273	1	30 PROF. TOP TRIM
2	PD020170	8	NO.6-32 X 1/2 PHILLIPS C.S. TYPE F SCREW
3	NOT REPLACEABLE	N/A	OVEN CAVITY (NOT REPLACEABLE PART)
4	PD020002	4	10 X 1/2 PH.TR.HD.SMS.
5	PD020014	6	10X3/4 PH TR HD SMS
7	PE040277	1	PROF. DOUBLE SIDE TRIM RH
8	NOT REPLACEABLE	N/A	OVEN CAVITY (NOT REPLACEABLE PART)
9	PE040274	1	30 PROF. BOTTOM TRIM
10	PE040278	1	PROF. DOUBLE SIDE TRIM LH
11	PB070302	4	SIDE INSULATION

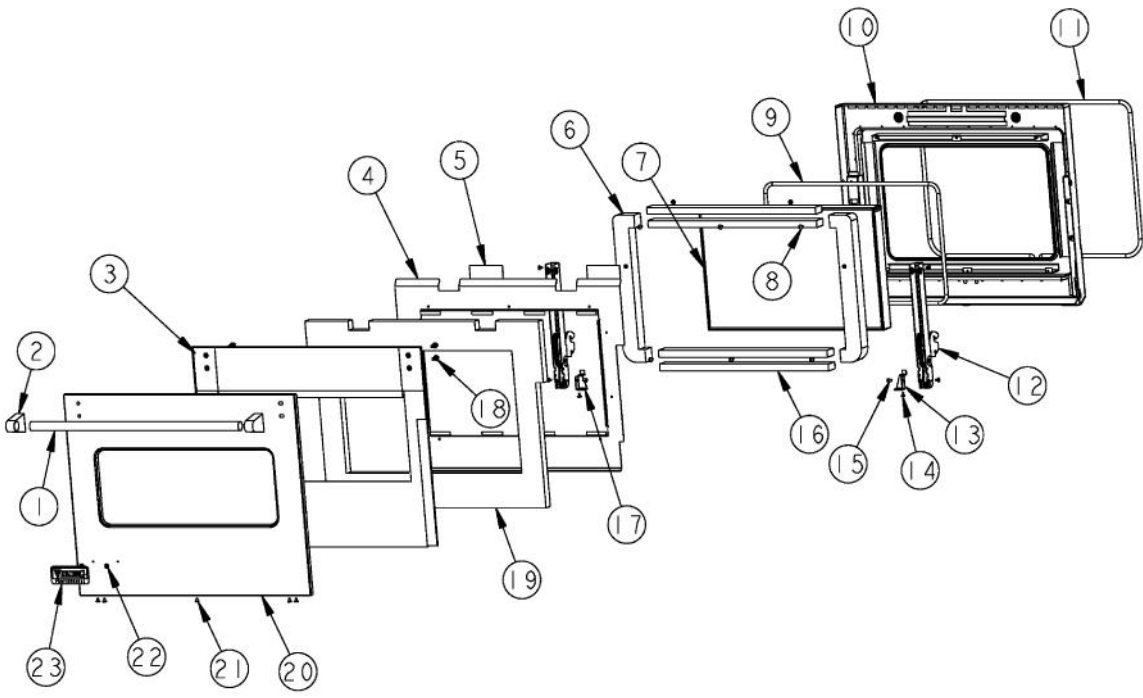


Ref #	Part Number	Qty.	Description
1	A21010919	1	BRACKET, AIR, CONVECTION MOTOR
2	A21010918	1	BRACKET, AIR, CONVECTION MOTOR
3	A2009671	1	BRACKET, POWER CABLE
4	PD020060	35	10 X 1/2 (5/16)HEX WSHER HD.(T)A
5	PB040070	1	CONDUIT FITTING (90 DEG)
6	PB020071	1	CONDUIT - FLEXIBLE (48)
7	A2009699	1	REAR AIR DIVIDER, DBL, LOWER OVEN
8	A2009683	1	PANEL, REAR
9	A2009684	1	REAR AIR DIVIDER, DOUBLE OVEN
10	NOT REPLACEABLE	N/A	OVEN CAVITY (NOT REPLACEABLE PART)
11	PB070304	1	30 BACK INSULATION
12	NOT REPLACEABLE	N/A	OVEN CAVITY (NOT REPLACEABLE PART)



Ref #	Part Number	Qty.	Description
1	PE030179	1	30 PROF. DOOR HANDLE
	PE030179PVD	1	30 PROF. DOOR HANDLE XPVDX 24.907
2	PE030001	2	BRACKET, DOOR, HANDLE
	PE030001PVD	2	END CAP DOOR HANDLE XBR
3	001499-000	1	PRO 30`` INSULATION RETAINER KIT (AFTER 7-17-06)
4	A2009632	1	PANEL, INULATION, INNER DOOR
5	PB070336	2	DOOR BRACKET INSULATION
6	PB070271	2	DOOR PLUG INSULATION
7	PE060094	1	30 WINDOW PACK
8	PD020002	30	10 X 1/2 PH.TR.HD.SMS.
9	000594-000	1	BLACK FIBERGLASS ROPE 3/8
10	G9109625	1	DOOR LINER PORC.
11	PB070246	1	30 DOOR GASKET
12	PC020220	2	SUB TO 006070-000 - DOOR HINGE MANSFIELD 30
13	A20012640	1	HINGE SUPPORT RH
14	PD020063	2	SCREW-NO.8(A) X 3/8PH WFR HD/BK OXID
15	PD020004	2	10X3/8PH.HD.TYPE 25 REPL PD040125
16	PB070269	4	30 WINDOW PACK INSULATION
17	A20012641	1	HINGE SUPPORT LH
18	PD020186	4	1/4-20 X 3/4 HEX WASHER HEAD MS
19	PB020272	1	304SS 3/4 X .035 TUBING
20	PS500017AL	1	30 PRO DOOR SKIN SERVICE KIT W/O LOGO AFTER 07/17/0...
	PS500017ALBR	1	30 PRO DOOR SKIN SERVICE KIT W/O LOGO AFTER 07/17/0...
	PS500017BK	1	30 PRO DOOR SKIN SERVICE KIT W/O LOGO AFTER 07/17/0...
	PS500017BKBR	1	30 PRO DOOR SKIN SERVICE KIT W/O LOGO AFTER 07/17/0...
	PS500017BT	1	30 PRO DOOR SKIN SERVICE KIT W/O LOGO AFTER 07/17/0...
	PS500017BTBR	1	30 PRO DOOR SKIN SERVICE KIT W/O LOGO AFTER 07/17/0...
	PS500017BU	1	30 PRO DOOR SKIN SERVICE KIT W/O LOGO AFTER 07/17/0...
	PS500017BUBR	1	30 PRO DOOR SKIN SERVICE KIT W/O LOGO AFTER 07/17/0...
	PS500017CB	1	30 PRO DOOR SKIN SERVICE KIT W/O LOGO AFTER 07/17/0...
	PS500017CBBR	1	30 PRO DOOR SKIN SERVICE KIT W/O LOGO AFTER 07/17/0...
	PS500017CW	1	30 PRO DOOR SKIN SVC KIT W/O LOGO AFTER 7/706 - CW
	PS500017CWBR	1	30 PRO DOOR SKIN SERVICE KIT W/O LOGO - CW / BR
	PS500017EP	1	30 PRO DOOR SKIN SERVICE KIT W/O LOGO AFTER 07/17/0...
	PS500017EPBR	1	30 PRO DOOR SKIN SERVICE KIT W/O LOGO AFTER 07/17/0...
	PS500017FG	1	30 PRO DOOR SKIN SERVICE KIT W/O LOGO AFTER 07/17/0...
	PS500017FGBR	1	30 PRO DOOR SKIN SERVICE KIT W/O LOGO AFTER 07/17/0...
	PS500017GG	1	30 PRO DOOR SKIN SERVICE KIT W/O LOGO AFTER 07/17/0...
	PS500017GGBR	1	30 PRO DOOR SKIN SERVICE KIT W/O LOGO AFTER 07/17/0...
	PS500017LE	1	30 PRO DOOR SKIN SERVICE KIT W/O LOGO AFTER 07/17/0...
	PS500017LEBR	1	30 PRO DOOR SKIN SERVICE KIT W/O LOGO AFTER 07/17/0...
	PS500017MJ	1	30 PRO DOOR SKIN SERVICE KIT W/O LOGO AFTER 07/17/0...
	PS500017MJBR	1	30 PRO DOOR SKIN SERVICE KIT W/O LOGO AFTER 07/17/0...
	PS500017SG	1	30 PRO DOOR SKIN SERVICE KIT W/O LOGO AFTER 07/17/0...
	PS500017SGBR	1	30 PRO DOOR SKIN SERVICE KIT W/O LOGO - SG/BR
	PS500017SS	1	30 PRO DOOR SKIN SERVICE KIT W/O LOGO AFTER 07/17/0...
	PS500017SSBR	1	30 PRO DOOR SKIN SERVICE KIT W/O LOGO AFTER 07/17/0...
	PS500017VB	1	30 PRO DOOR SKIN SERVICE KIT W/O LOGO AFTER 07/17/0...
	PS500017VBBR	1	30 PRO DOOR SKIN SERVICE KIT W/O LOGO AFTER 07/17/0...
	PS500017WH	1	30 PRO DOOR SKIN SERVICE KIT W/O LOGO AFTER 07/17/0...
	PS500017WHBR	1	30 PRO DOOR SKIN SERVICE KIT W/O LOGO AFTER 07/17/0...
21	PD020032	5	SRW-8(A)X3/8PH.WFR HD 7/16DIAXNICL
NI	G32012724AL	1	30 DOOR ASSY W/O LOGO XALX
	G32012724ALBR	1	30 DOOR ASSY W/O LOGO XALBRX
	G32012724BK	1	30 DOOR ASSY W/O LOGO XBKX
	G32012724BKBR	1	30 DOOR ASSY W/O LOGO XBKBRX
	G32012724BT	1	30 DOOR ASSY W/O LOGO XBTX
	G32012724BTBR	1	30 DOOR ASSY W/O LOGO XBTBRX
	G32012724BU	1	30 DOOR ASSY W/O LOGO XBUX
	G32012724BUBR	1	30 DOOR ASSY W/O LOGO XBUBRX

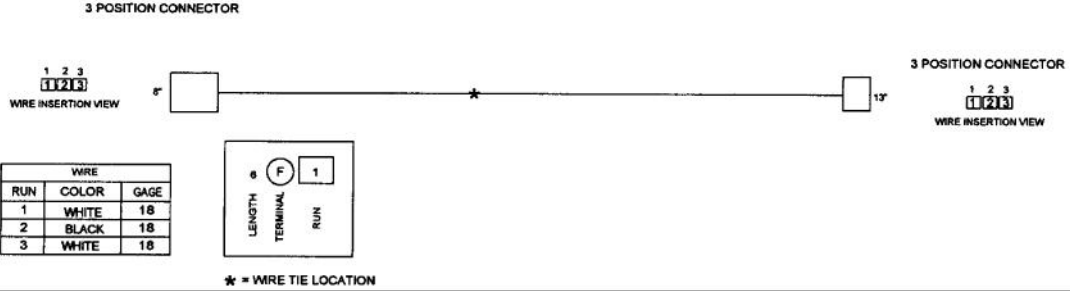
Ref #	Part Number	Qty.	Description
	G32012724BUBR	1	30 DOOR ASSY W/O LOGO XBUBRX
	G32012724CB	1	30 DOOR ASSY W/O LOGO XCBX
	G32012724CBBR	1	30 DOOR ASSY W/O LOGO XCBBRX
	G32012724EP	1	30 DOOR ASSY W/O LOGO XEPX
	G32012724EPBR	1	30 DOOR ASSY W/O LOGO XEPBRX
	G32012724FG	1	30 DOOR ASSY W/O LOGO XFGX
	G32012724FGBR	1	30 DOOR ASSY W/O LOGO XFGBRX
	G32012724GG	1	30 DOOR ASSY W/O LOGO XGGX
	G32012724GGBR	1	30 DOOR ASSY W/O LOGO XGGBRX
	G32012724LE	1	30 DOOR ASSY W/O LOGO XLEX
	G32012724LEBR	1	30 DOOR ASSY W/O LOGO XLEBRX
	G32012724MJ	1	30 DOOR ASSY W/O LOGO XMJX
	G32012724MJBR	1	30 DOOR ASSY W/O LOGO XMJBRX
	G32012724SG	1	30 DOOR ASSY W/O LOGO XSGX
	G32012724SGBR	1	30 DOOR ASSY W/O LOGO XSGBRX
	G32012724SS	1	30 DOOR ASSY W/O LOGO
	G32012724SSBR	1	30 DOOR ASSY W/O LOGO XSSBRX
	G32012724VB	1	30 DOOR ASSY W/O LOGO XVBX
	G32012724VBBR	1	30 DOOR ASSY W/O LOGO XVBBRX
	G32012724WH	1	30 DOOR ASSY W/O LOGO XWHX
	G32012724WHBR	1	30 DOOR ASSY W/O LOGO XWHBRX



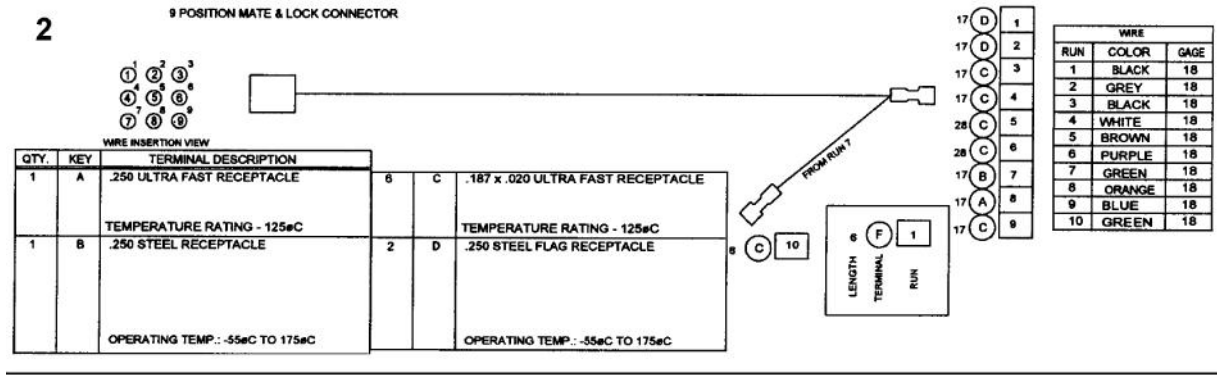
Ref #	Part Number	Qty.	Description
1	PE030179	1	30 PROF. DOOR HANDLE
	PE030179PVD	1	30 PROF. DOOR HANDLE XPV DX 24.907
2	PE030001	2	BRACKET, DOOR, HANDLE
	PE030001PVD	2	END CAP DOOR HANDLE XBR
3	001499-000	1	PRO 30`` INSULATION RETAINER KIT (AFTER 7-17-06)
4	A2009632	1	PANEL, INULATION, INNER DOOR
5	PB070336	2	DOOR BRACKET INSULATION
6	PB070271	2	DOOR PLUG INSULATION
7	PE060094	1	30 WINDOW PACK
8	PD020002	30	10 X 1/2 PH.TR.HD.SMS.
9	000594-000	1	BLACK FIBERGLASS ROPE 3/8
10	G9109625	1	DOOR LINER PORC.
11	PB070246	1	30 DOOR GASKET
12	PC020220	2	SUB TO 006070-000 - DOOR HINGE MANSFIELD 30
13	A20012640	1	HINGE SUPPORT RH
14	PD020063	2	SCREW-NO.8(A) X 3/8PH WFR HD/BK OXID
15	PD020004	2	10X3/8PH.HD.TYPE 25 REPL PD040125
16	PB070269	4	30 WINDOW PACK INSULATION
17	A20012641	1	HINGE SUPPORT LH
18	PD020186	4	1/4-20 X 3/4 HEX WASHER HEAD MS
19	PB020272	1	304SS 3/4 X .035 TUBING
20	PS500015AL	1	30 PRO DOOR SKIN SVC KIT W/LOGO AFTER 07/17/06 - AL
	PS500015ALBR	1	30 PRO DOOR SKIN SVC KIT W/LOGO AFTER 07/17/06 - AL/B...
	PS500015BK	1	30 PRO DOOR SKIN SVC KIT W/LOGO AFTER 07/17/06 -BK
	PS500015BKBR	1	30 PRO DOOR SKIN SVC KIT W/LOGO AFTER 07/17/06 -BK/BR
	PS500015BT	1	30 PRO DOOR SKIN SVC KIT W/LOGO AFTER 07/17/06 - BT
	PS500015BTBR	1	30 PRO DOOR SKIN SVC KIT W/LOGO AFTER 07/17/06 -BTBR
	PS500015BU	1	30 PRO DOOR SKIN SVC KIT W/LOGO AFTER 07/17/06 -BU
	PS500015BUBR	1	30 PRO DOOR SKIN SVC KIT W/LOGO AFTER 07/17/06 - BU/...
	PS500015CB	1	30 PRO DOOR SKIN SVC KIT W/LOGO AFTER 07/17/06 - CB
	PS500015CBBR	1	30 PRO DOOR SKIN SVC KIT W/LOGO AFTER 07/17/06 - CB/...
	PS500015EP	1	30 PRO DOOR SKIN SVC KIT W/LOGO AFTER 07/17/06 - EP
	PS500015EPBR	1	30 PRO DOOR SKIN SVC KIT W/LOGO AFTER 07/17/06 - EP/B...
	PS500015FG	1	30 PRO DOOR SKIN SVC KIT W/LOGO AFTER 07/17/06 - FG
	PS500015FGBR	1	30 PRO DOOR SKIN SVC KIT W/LOGO AFTER 07/17/06 - FG/...
	PS500015GG	1	30 PRO DOOR SKIN SVC KIT W/LOGO AFTER 07/17/06 -GG
	PS500015GGBR	1	30 PRO DOOR SKIN SVC KIT W/LOGO AFTER 07/17/06 -GG/B...
	PS500015LE	1	30 PRO DOOR SKIN SVC KIT W/LOGO AFTER 07/17/06 - LE
	PS500015LEBR	1	30 PRO DOOR SKIN SVC KIT W/LOGO AFTER 07/17/06 - LE/B...
	PS500015MJ	1	30 PRO DOOR SKIN SVC KIT W/LOGO AFTER 07/17/06 - MJ
	PS500015MJBR	1	30 PRO DOOR SKIN SVC KIT W/LOGO AFTER 07/17/06 - MJ/B...
	PS500015SG	1	30 PRO DOOR SKIN SVC KIT W/LOGO AFTER 07/17/06 - SG
	PS500015SGBR	1	30 PRO DOOR SKIN SVC KIT W/LOGO AFTER 07/17/06 -SGBR
	PS500015SS	1	30 PRO DOOR SKIN SVC KIT W/LOGO AFTER 07/17/06 -SS
	PS500015SSBR	1	30 PRO DOOR SKIN SVC KIT W/LOGO AFTER 07/17/06 - SS/B...
	PS500015VB	1	30 PRO DOOR SKIN SVC KIT W/LOGO AFTER 07/17/06 - VB
	PS500015VBBR	1	30 PRO DOOR SKIN SVC KIT W/LOGO AFTER 07/17/06 -VBBR
	PS500015WH	1	30 PRO DOOR SKIN SVC KIT W/LOGO AFTER 07/17/06 - WH
	PS500015WHBR	1	30 PRO DOOR SKIN SVC KIT W/LOGO AFTER 07/17/06 - WH/...
	PS500015CW	1	30 PRO DOOR SKIN SVC KIT W/LOGO AFTER 7/17/06 - CW
21	PD020032	5	SRW-8(A)X3/8PH.WFR HD 7/16DIAXNICL
22	PD030006	5	CAPPED WASHER PAL NUT
23	PE010016	1	NAMEPLATE, LOGO, PRO
	PE010017	1	LOGO (VGSO,VEDO,VGDO,VUD) XWH/CHR
	PE010079	1	4.5 LOGO/VIKING PROF, BK/BR
	PE010080	1	4.5 LOGO/VIKING PROF XWH/BR
NI	G32012723AL	1	30 DOOR ASSY W/LOGO XALX
	G32012723ALBR	1	30 DOOR ASSY W/LOGO XALBRX
	G32012723BK	1	30 DOOR ASSY W/LOGO XBKX
	G32012723BKBR	1	30 DOOR ASSY W/LOGO XBKBRX

Ref #	Part Number	Qty.	Description
	G32012723BKBR	1	30 DOOR ASSY W/LOGO XBKBRX
	G32012723BT	1	30 DOOR ASSY W/LOGO XBTX
	G32012723BTBR	1	30 DOOR ASSY W/LOGO XBTBRX
	G32012723BU	1	30 DOOR ASSY W/LOGO XBUX
	G32012723BUBR	1	30 DOOR ASSY W/LOGO XBUBRX
	G32012723CB	1	30 DOOR ASSY W/LOGO XCBX
	G32012723CBBR	1	30 DOOR ASSY W/LOGO XCBBRX
	G32012723EP	1	30 DOOR ASSY W/LOGO XEPX
	G32012723EPBR	1	30 DOOR ASSY W/LOGO XEPBRX
	G32012723FG	1	30 DOOR ASSY W/LOGO XFGX
	G32012723FGBR	1	30 DOOR ASSY W/LOGO XFGBRX
	G32012723GG	1	30 DOOR ASSY W/LOGO XGGX
	G32012723GGBR	1	30 DOOR ASSY W/LOGO XGGBRX
	G32012723LE	1	30 DOOR ASSY W/LOGO XLEX
	G32012723LEBR	1	30 DOOR ASSY W/LOGO XLEBRX
	G32012723MJ	1	30 DOOR ASSY W/LOGO XMJX
	G32012723MJBR	1	30 DOOR ASSY W/LOGO XMJBRX
	G32012723SG	1	30 DOOR ASSY W/LOGO XSGX
	G32012723SGBR	1	30 DOOR ASSY W/LOGO XSGBRX
	G32012723SS	1	30 DOOR ASSY W/LOGO
	G32012723SSBR	1	30 DOOR ASSY W/LOGO XSSBRX
	G32012723VB	1	30 DOOR ASSY W/LOGO XVBX
	G32012723VBBR	1	30 DOOR ASSY W/LOGO XVBBRX
	G32012723WH	1	30 DOOR ASSY W/LOGO XWHX
	G32012723WHBR	1	30 DOOR ASSY W/LOGO XWHBRX

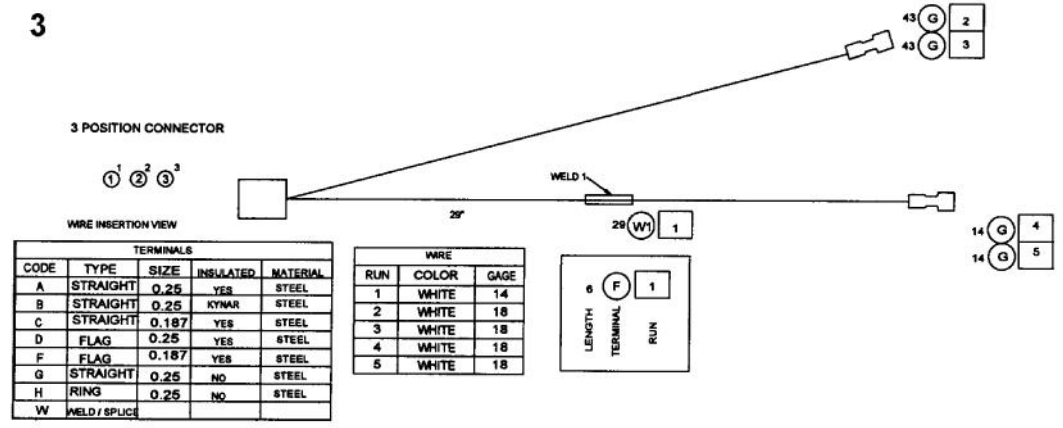
1



2

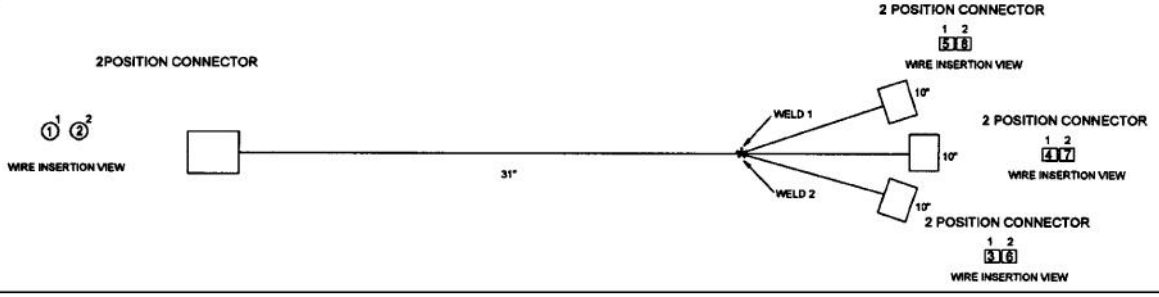


3



Ref #	Part Number	Qty.	Description
1	PE070738	1	T/STAT-SEL HARNESS
	PE070733	1	UPPER LATCH HARNESS
	PE070739	1	BAKE ELEMENT HARNESS
NI	G4005496	1	SUPPLY WIRE - 100 BK 10GA SO/DO
NI	G4005497	1	SUPPLY WIRE - 100 GREEN 10GA SO/DO
NI	G4005499	1	SUPPLY WIRE - 100 RED 10GA SO/DO
NI	G4005494	1	SUPPLY WIRE - 75 WH 12 GA SO/DO

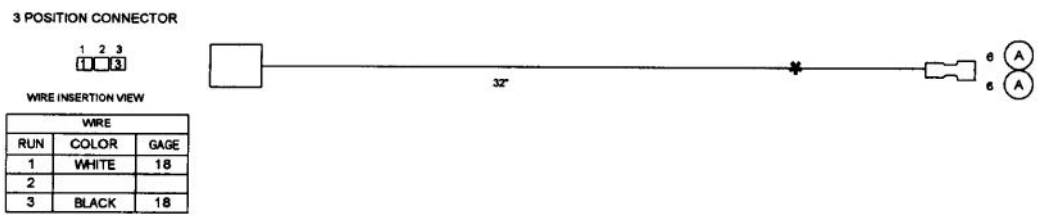
1



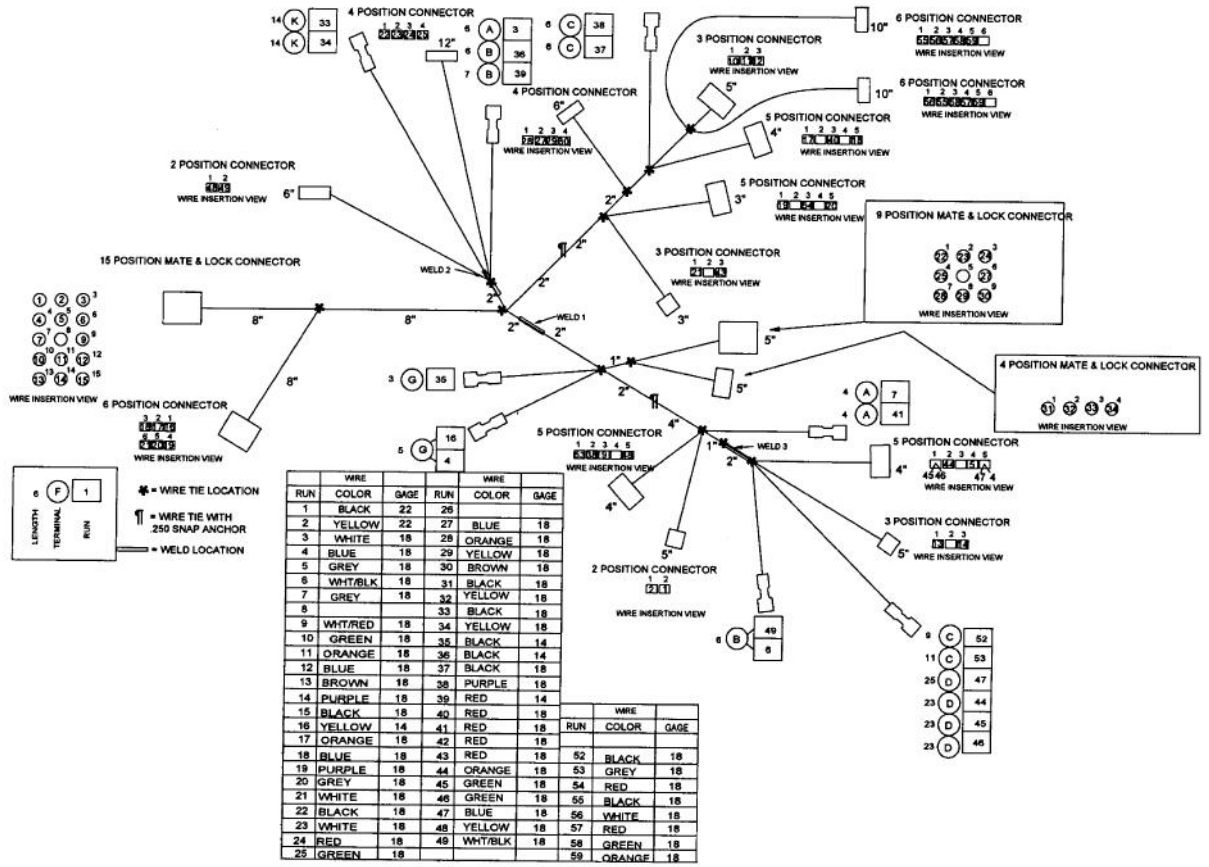
2



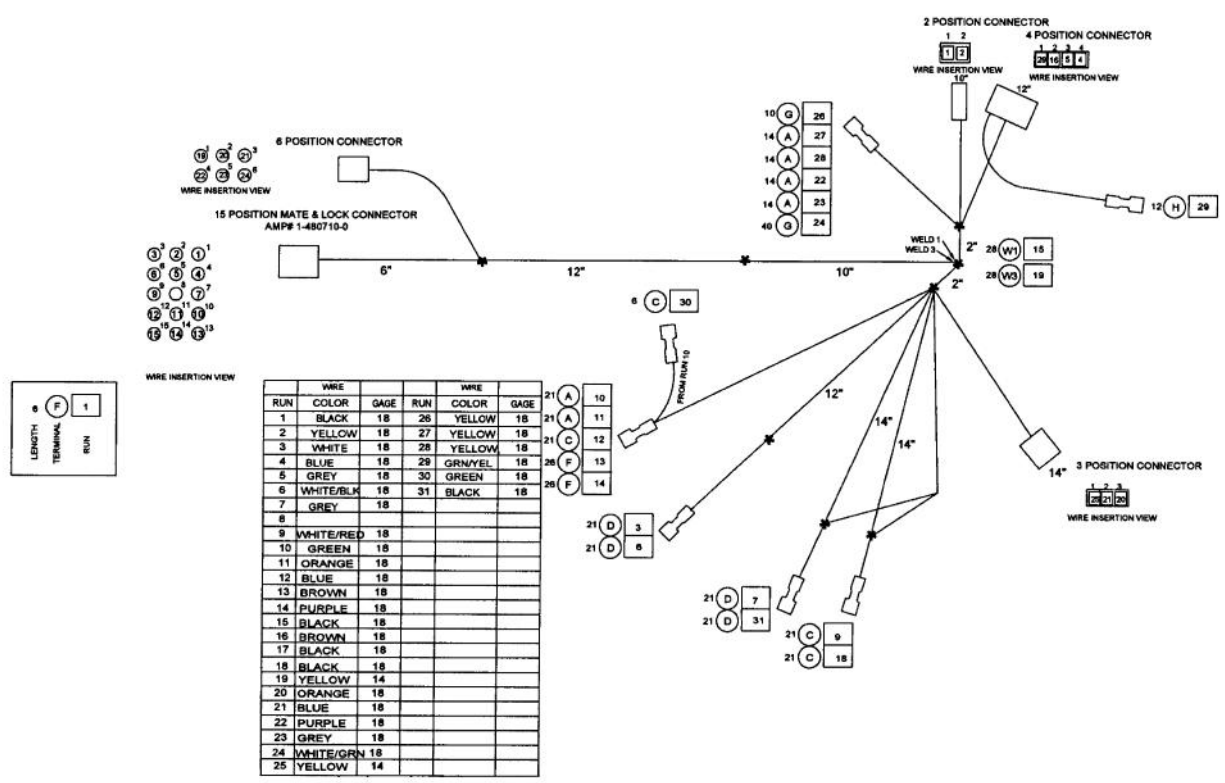
3



Ref #	Part Number	Qty.	Description
1	PE070741	1	LOWER LIGHT HARNESS
2	PE070744	1	DOUBLE CLOCK HARNESS
3	PE070735	1	MEAT PROBE HARNESS



Ref #	Part Number	Qty.	Description
NI	PE070736	1	LOWER CONTROL HARNESS



Ref #	Part Number	Qty.	Description
NI	PE070740	1	LOWER LATCH HARNESS

Ref #	Part Number	Qty.	Description
1	PE070742	1	UPPER CONTROL HARNESS