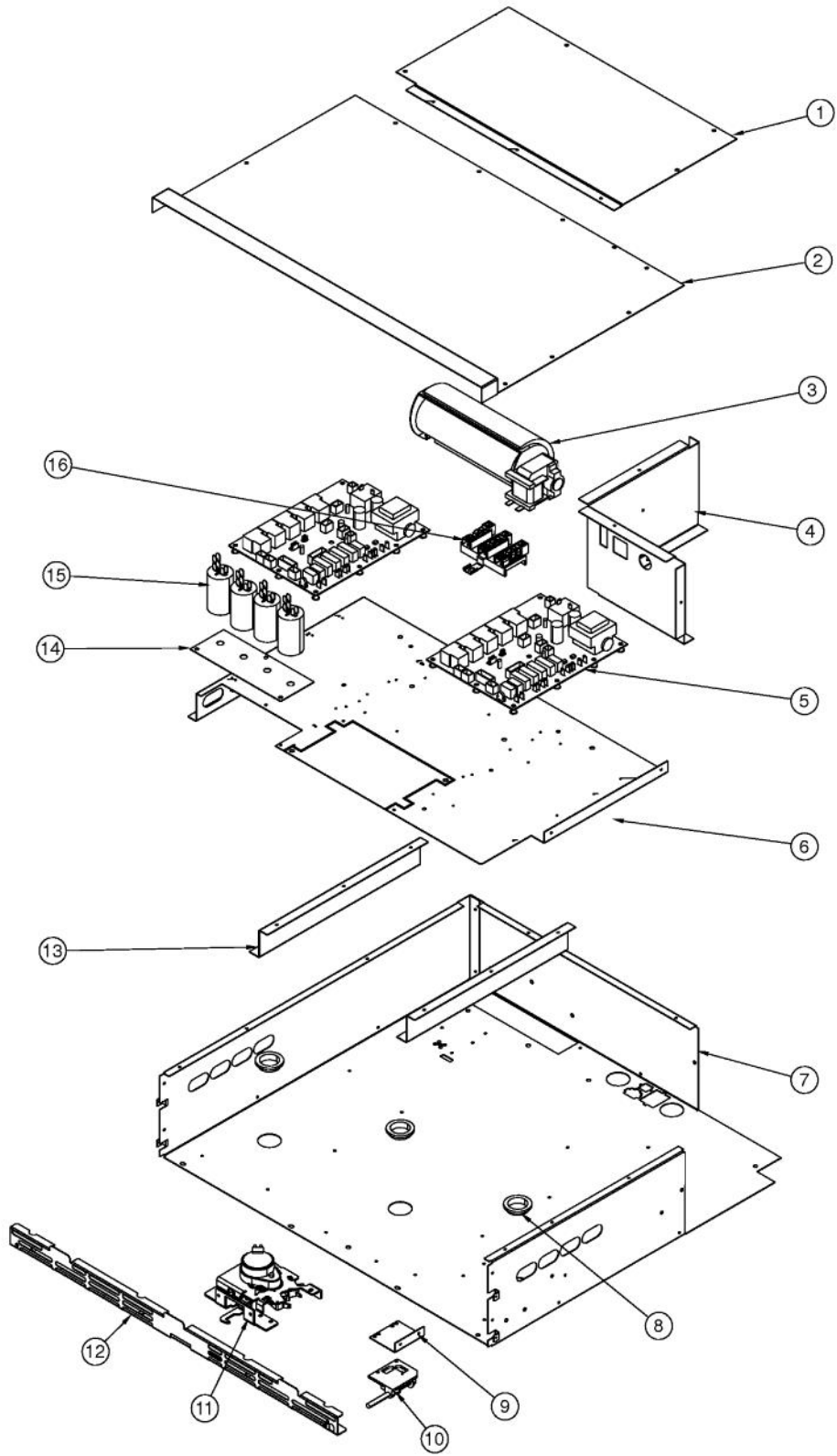
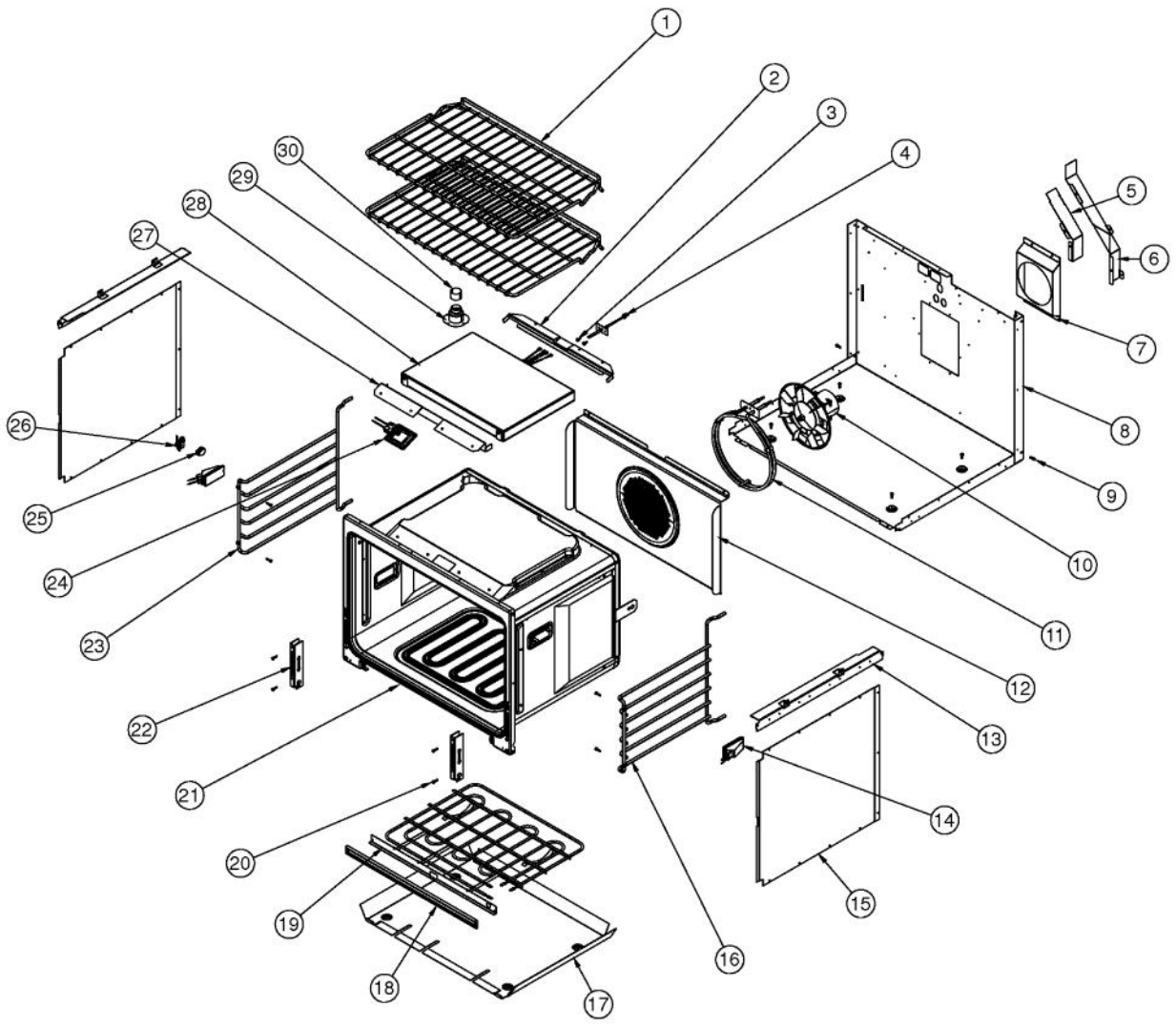


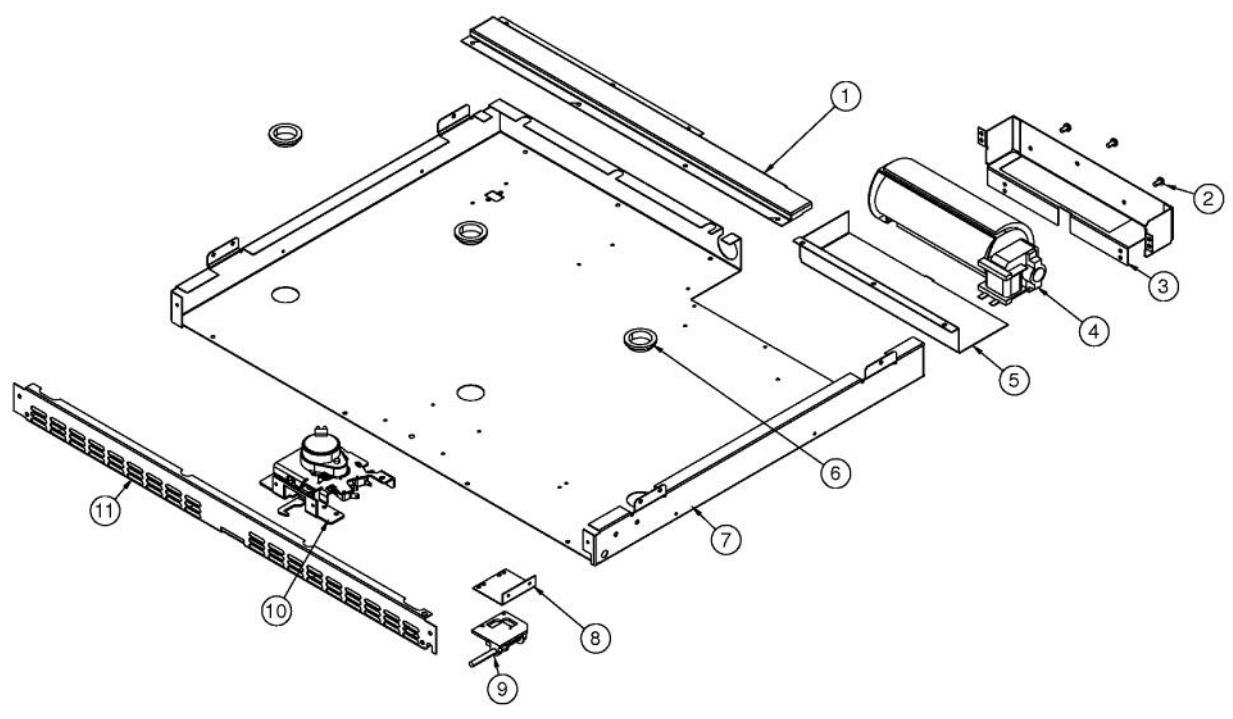
Ref #	Part Number	Qty.	Description
1	015662-000	4	KNOB, OVEN ASM, SS
2	PA010093	1	DESIGNER OVEN LT SWITCH KNOB
3	015043-000	4	INDICATOR, LIGHT, BLUE LED
4	025101-2295	1	30 DBL SELECT CONTROL PANEL W/GRAPHICS
5	PJ030033	2	SELECTOR (10 POS)
6	024774-000	1	PANEL, CONTROL MOUNTING
7	PD020032	6	SRW-8(A)X3/8PH.WFR HD 7/16DIAXNICL
8	024810-000	1	BRACKET, LIGHT SW
9	PE050076	1	DESIGNER OVEN LIGHT SWITCH
10	PJ030043	1	BI-METAL THERMOSTAT (N.C.) 180 DEGREES
11	025100-000	2	BRACKET, CLOCK, TKJ
12	PE050140	1	ANALOG CLOCK 220V 50/60H
13	PD020004	6	10X3/8PH.HD.TYPE 25 REPL PD040125
14	PJ030036	1	3 POSITION SELECTOR SWITCH
15	025142-000	1	BRACKET, SEL, SINGLE
16	PJ030035	2	THERMOSTAT
17	PA010192	1	DES. MANUAL TIME KNOB
18	PB010304	4	KNOB BEZEL
19	PB010304PVD	4	RESTYLE KNOB BEZEL, BR
19	PD020261	8	NO.8-32X1/2 PH PANHEAD MACH. SCREW



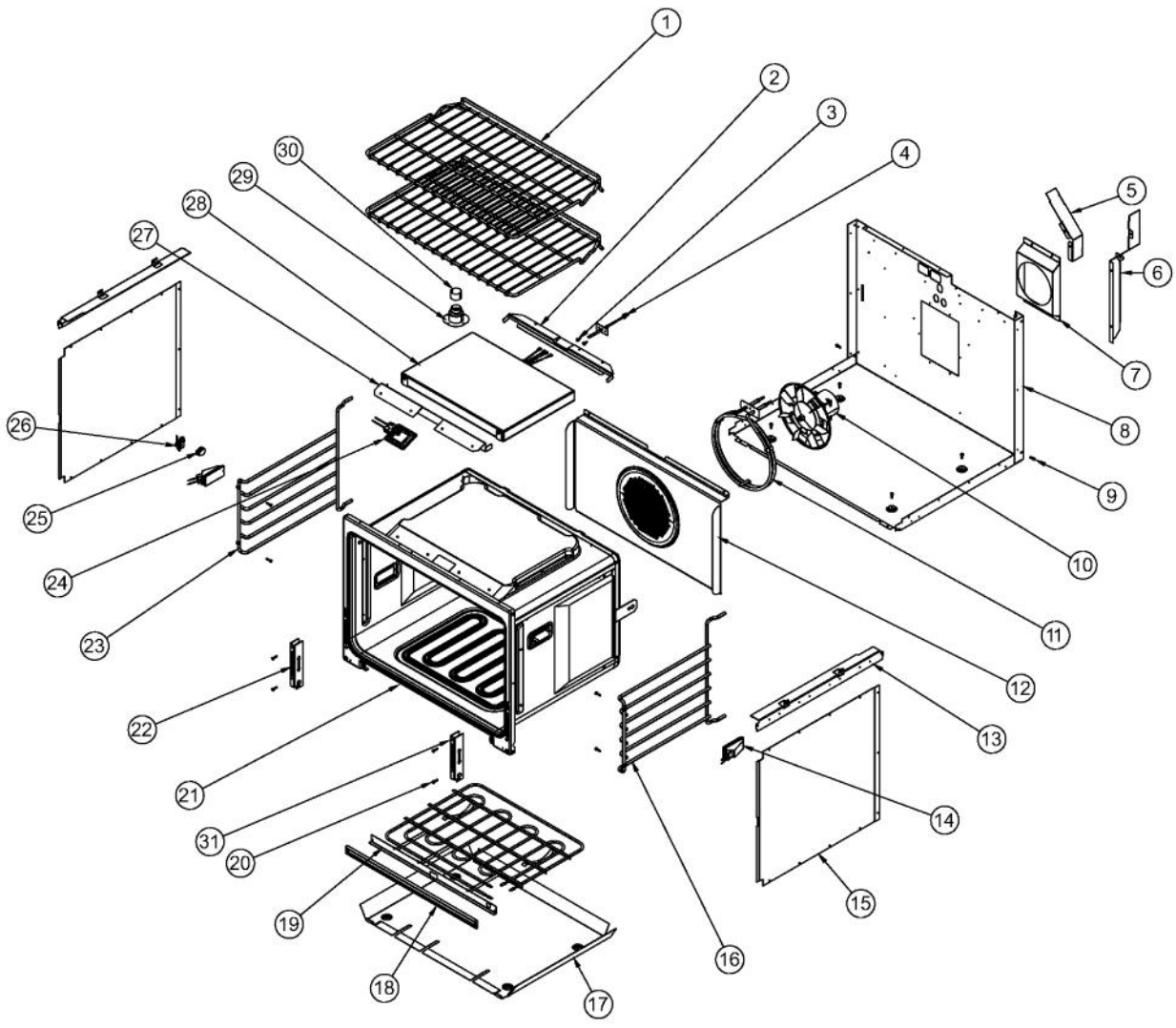
Ref #	Part Number	Qty.	Description
1	A20014049	1	30 REAR COVER
2	025057-000	1	PANEL,CVR, TOP, FR, 30
3	PE050250	2	PREMIUM BLOWER WITH HES BEFORE 2/4/13
3	018607-000	2	FAN,BLO, 220-240V 50/60HZ ASSY AFTER 2/4/13
4	A2009671	1	BRACKET, POWER CABLE
5	000621-000	2	SUB TO 002406-000 - CONTROL BOARD
6	023367-000	1	30 MTG PANEL, CONTROL
7	A2009643	1	MODULE PAN, TOP 30
8	PB070079	5	SILICONE EXTRUSION (DGSU)
9	A20012649	1	DOOR SWITCH BRACKET
10	PE050208	1	DOOR SWITCH
11	013250-000	2	LATCH,DOOR,ASM,240V,GRIDDLE LOCKOUT BEFORE 10/31/2013
11	039293-000	2	LATCH, ELEC, 240V, ASSY AFTER 10/31/13
12	C20014072	1	30 INLET GRILL
13	A20010910	2	BRACKET, SUPPORT, ELECTRONICS HAT
14	A10014028	1	2 CAPACITOR BRACKET
15	PE050247	4	EBM FAN MOTOR CAPACITOR
16	PE070147	1	TERMINAL BLOCK
NI	PE070763	1	10 POSITION 30 L.O.



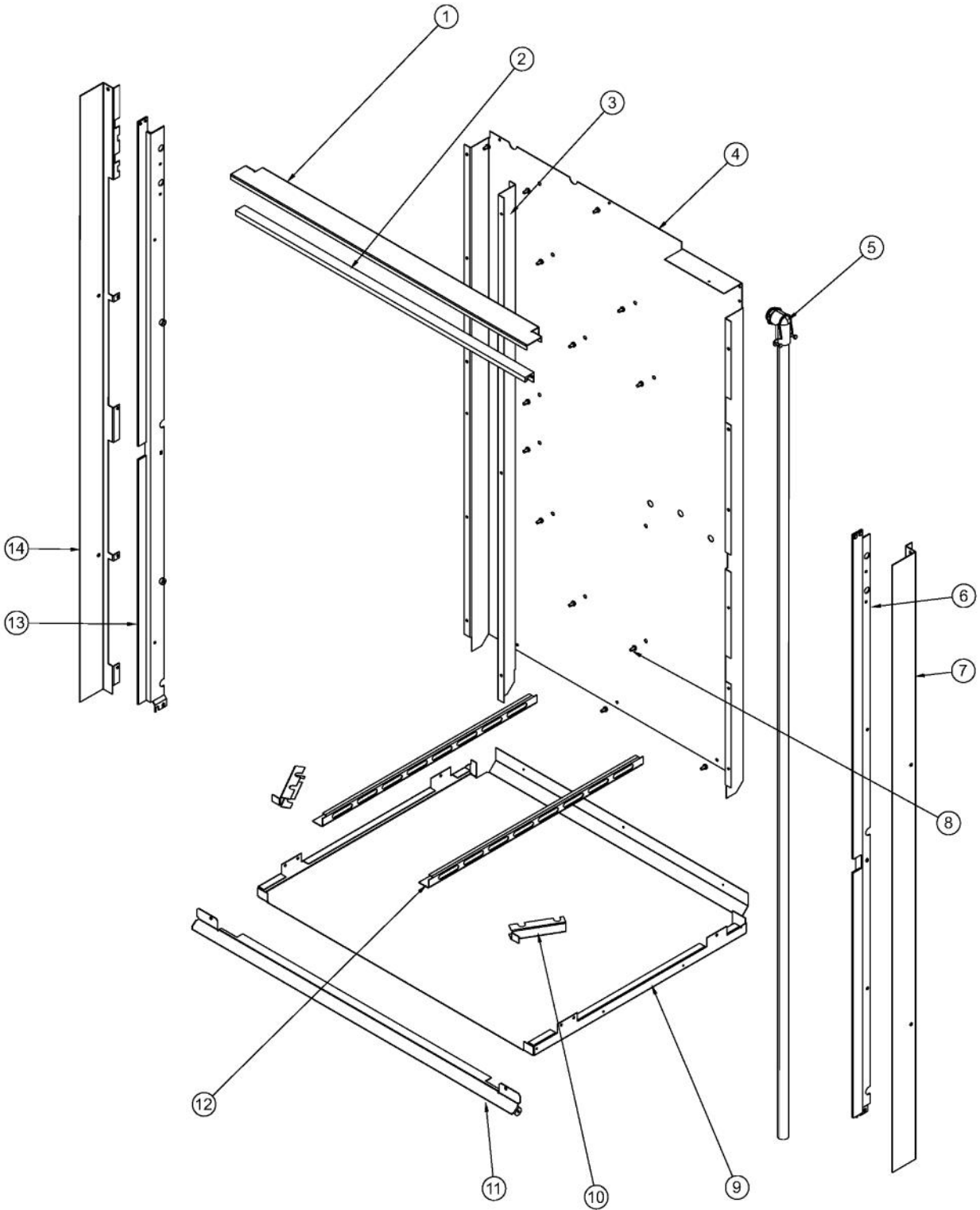
Ref #	Part Number	Qty.	Description
1	PB060107	2	30 OVEN RACK
2	B20014051	1	PREMIERE BROIL ELEMENT BRACKET REAR
3	PD020055	2	NO.10 X 1/2 PAN PHIL. TEK. SS
4	PE050206	1	RTD THERMOSTAT PROBE
5	A21010919	1	BRACKET, AIR, CONVECTION MOTOR
6	A21010918	1	BRACKET, AIR, CONVECTION MOTOR
7	A2009697	1	BRACKET, CONVECTION INSULATION
8	UNSERVICEABLE	1	OVEN CAVITY, ASM 36
9	PD020060	6	10 X 1/2 (5/16)HEX WSHER HD.(T)A
10	G32014020	1	CONVECTION FAN ASSY
11	PJ010047	1	CONVECTION ELEMENT
12	G91013598	1	30 BAFFLE ASSEMBLY
13	A2009641	2	BRKT, TOP WRAPPER
14	005311-000	2	120V/25W HALOGEN LIGHT
15	014137-000	2	WRAPPER, OVEN SIDE
16	003039-000	1	RACK GUIDE ASSY, RH
17	A2009612	1	ELEMENT, MTG TRAY
18	E2109655	1	COVER, BAKE TRAY
19	PJ010048	1	BAKE ELEMENT
20	PD020232	8	NO.8 X 3/4 PH PAN HEAD TEK SCREW (BLACK OXIDE)
21	UNSERVICEABLE	1	OVEN CAVITY, ASM 36
22	PC020221	2	HINGE POCKET RECEIVER MANSFIELD RH
23	003040-000	1	RACK GUIDE ASSY, LH
24	005312-000	1	BJB SLIMLINE 40 W BULB
25	PM010160	1	MEAT PROBE JACK COVER
26	PE050115	1	MEAT PROBE JACK
27	B20014050	1	PREMIERE BROIL ELEMENT BRACKET FRONT
28	PJ010049	1	BROIL ELEMENT
29	PM010014	1	SMOKE ELIMINATOR (VDSC)
30	PB020275	1	VENT TUBE



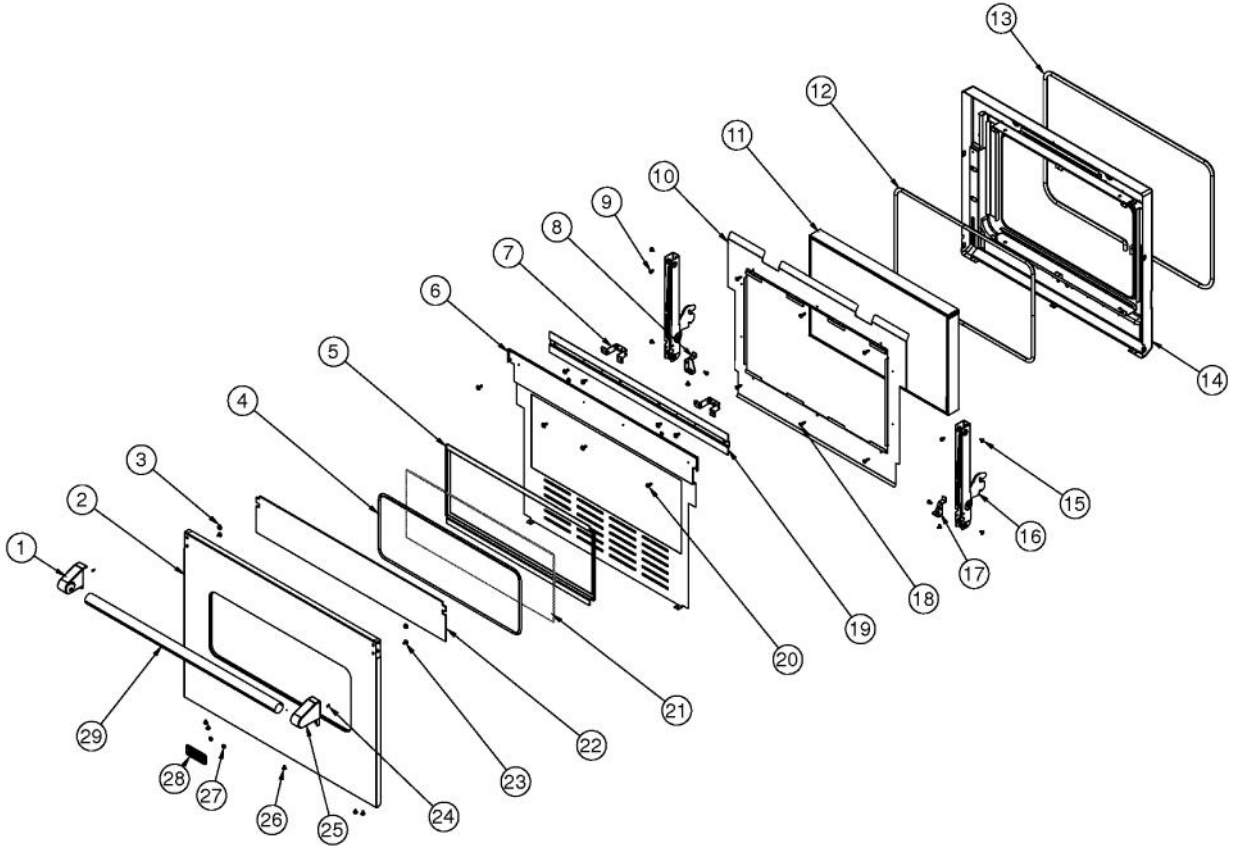
Ref #	Part Number	Qty.	Description
1	A2009682	1	CATALYST EXHAUST, MIDDLE MODULE
2	PD020004	3	10X3/8PH.HD.TYPE 25 REPL PD040125
3	A3009660	1	BRACKET, BLOWER, DBL LOWER OVEN
4	PE050250	1	PREMIUM BLOWER WITH HES
NI	048753-000	1	VEDO5302 BLOWER SERVICE KIT (BUILT AFTER SERIAL NO. 061013C10095661 BUT BEFORE...
5	A2009659	1	BRACKET, FILLER, BLOWER
6	PB070079	3	SILICONE EXTRUSION (DGSU)
7	UNSERVICEABLE	1	OVEN CAVITY, ASM 36
8	A20012649	1	DOOR SWITCH BRACKET
9	PE050208	1	DOOR SWITCH
10	013250-000	1	LATCH,DOOR,ASM,240V,GRIDDLE LOCKOUT
11	020478-002	1	GRILL, INL, LOWER, DBL OVEN, 30 XBKX
NI	PJ030039	1	BI-METAL THERMOSTAT 275 DEGREES



Ref #	Part Number	Qty.	Description
1	PB060107	2	30 OVEN RACK
2	B20014051	1	PREMIERE BROIL ELEMENT BRACKET REAR
3	PD020055	2	NO.10 X 1/2 PAN PHIL. TEK. SS
4	PE050206	1	RTD THERMOSTAT PROBE
5	A21010919	1	BRACKET, AIR, CONVECTION MOTOR
6	A2009699	1	REAR AIR DIVIDER, DBL, LOWER OVEN
7	A2009697	1	BRACKET, CONVECTION INSULATION
8	UNSERVICEABLE	1	OVEN CAVITY, ASM 36
9	PD020060	6	10 X 1/2 (5/16)HEX WSHER HD.(T)A
10	G32014020	1	CONVECTION FAN ASSY
11	PJ010047	1	CONVECTION ELEMENT
12	G91013598	1	30 BAFFLE ASSEMBLY
13	A2009641	2	BRKT, TOP WRAPPER
14	005311-000	2	120V/25W HALOGEN LIGHT
15	014137-000	2	WRAPPER, OVEN SIDE
16	003039-000	1	RACK GUIDE ASSY, RH
17	A2009612	1	ELEMENT, MTG TRAY
18	E2109655	1	COVER, BAKE TRAY
19	PJ010048	1	BAKE ELEMENT
20	PD020232	8	NO.8 X 3/4 PH PAN HEAD TEK SCREW (BLACK OXIDE)
21	UNSERVICEABLE	1	OVEN CAVITY, ASM 36
22	PC020247	2	HINGE POCKET RECEIVER MANSFIELD LH
23	003040-000	1	RACK GUIDE ASSY, LH
24	005312-000	1	BJB SLIMLINE 40 W BULB
25	PM010160	1	MEAT PROBE JACK COVER
26	PE050115	1	MEAT PROBE JACK
27	B20014050	1	PREMIERE BROIL ELEMENT BRACKET FRONT
28	PJ010049	1	BROIL ELEMENT
29	PM010014	1	SMOKE ELIMINATOR (VDSC)
30	PB020275	1	VENT TUBE
31	PC020221	1	HINGE POCKET RECEIVER MANSFIELD RH



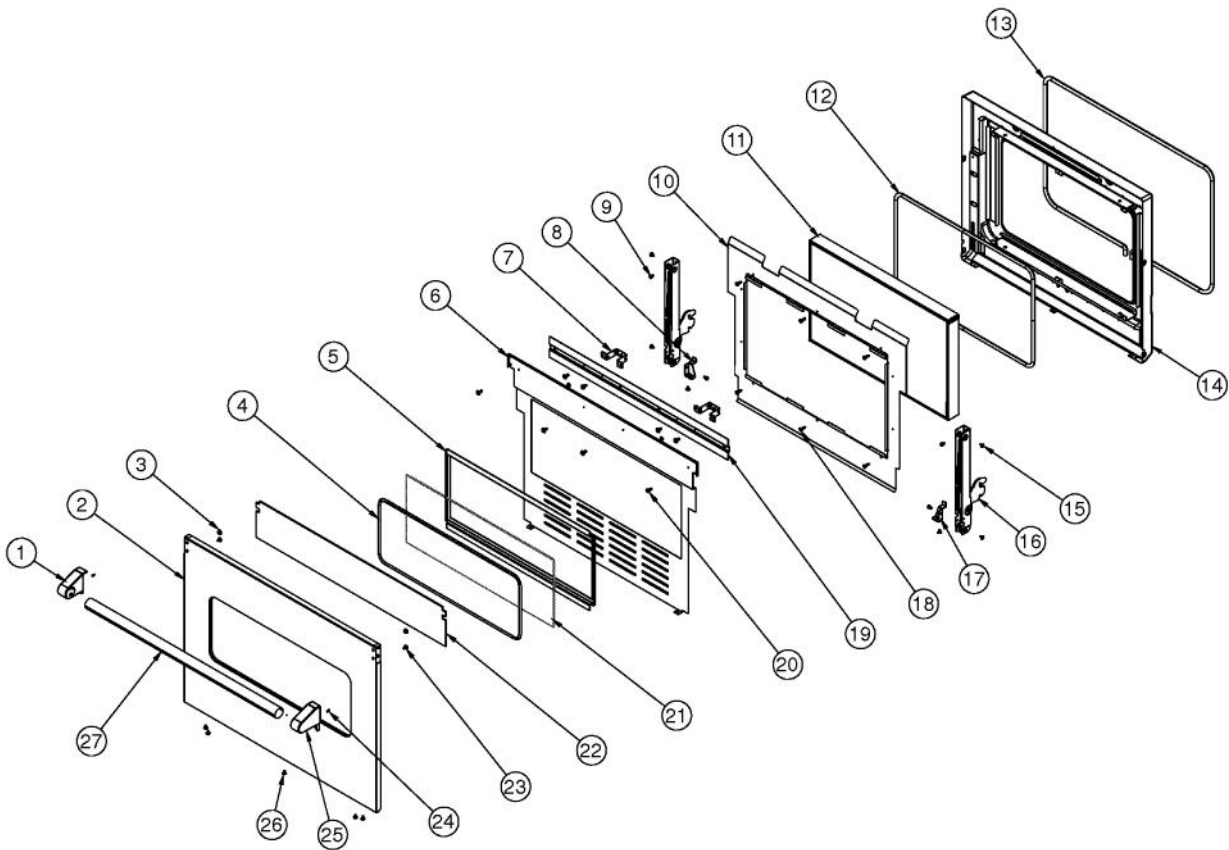
Ref #	Part Number	Qty.	Description
1	024268-000	1	TRIM, TOP, FLUSH, 30
2	024253-000	1	TRIM, TOP, 30
3	A2009684	1	REAR AIR DIVIDER, DOUBLE OVEN
4	A2009683	1	PANEL, REAR
5	001420-000	1	48 CONDUIT ASSY
6	024256-000	1	TRIM,EXTD,RH, DBL
7	024266-000	1	TRIM, R, FLUSH, DBL
8	PD020004	15	10X3/8PH.HD.TYPE 25 REPL PD040125
9	A2009623	1	BASE PAN 30
10	A20012739	2	BASE PAN CORNER BRACE
11	025063-002	1	DEFLECTOR, VENT, LOWER, 30, (BK)
12	A20012740	2	STIFFENER, BASE PAN
13	024257-000	1	TRIM,EXTD,LH, DBL
14	024267-000	1	TRIM, L, FLUSH, DBL



Ref #	Part Number	Qty.	Description
1	025186-000	1	ENDCAP, DOOR HDL, ASM, LH
1	025186-100	1	ENDCAP,DOOR HDL,ASM,LH (BR)
2	023992-000	1	PANEL,DOOR,W LOGO 30, SS (NOT FIELD REPLACEABLE - MUST ORDER DOOR PANEL A...
3	004907-000	2	STEEL FINISHING PLUG, NICKEL PLTD 25/64 HOLE
4	PE060105	1	30 J-MOLD (CHROME) NOT FIELD REPLACEABLE
5	L20014077	1	30 WINDOW HOLDER NOT FIELD REPLACEABLE
6	023994-000	1	PANEL,INSL
7	024005-000	2	BRACKET
8	A20012641	1	HINGE SUPPORT LH
9	PD020004	4	10X3/8PH.HD.TYPE 25 REPL PD040125
10	A2009632	1	PANEL, INULATION, INNER DOOR
11	PE060094	1	30 WINDOW PACK
12	000594-066	1	BLACK FIBERGLASS ROPE 3/8
13	PB070246	1	30 DOOR GASKET
14	G9109625	1	DOOR LINER PORC.
14	G9109625BK	1	DOOR LINER PORC. - BLACK (AS OF 12/20/12)
15	PD020063	8	SCREW-NO.8(A) X 3/8PH WFR HD/BK OXID
16	023799-000	2	HINGE, MANSFIELD, RED
17	A20012640	1	HINGE SUPPORT RH
18	PD020014	6	10X3/4 PH TR HD SMS
19	002732-000	1	DOOR SKIN MOUNTING BRACKET ASSY
20	PD020033	8	SRW-NO.10-24X1/2T(23)PH.WFR HD (NKL)
21	PE060090	1	30 PROF. OUTER DOOR GLASS
22	025264-000	1	PANEL,INSL,30, DOOR
23	PD020073	2	SRW NO.10 X 24 X 3/8 WAFER HD TYPE23
24	003650-000	2	SET SCREW
25	025187-000	1	ENDCAP, DOOR HDL, ASM, RH
25	025187-100	1	ENDCAP,DOOR HDL,ASM,RH (BR)
26	PD020032	5	SRW-8(A)X3/8PH.WFR HD 7/16DIAXNICL
27	PD030006	2	CAPPED WASHER PAL NUT
28	PE010142	1	3 LOGO XBKXXCHROME
28	PE010143	1	3 LOGO BK/BR
28	PE010145	1	LOGO - WH / BR
29	023998-000	1	HANDLE, DOOR, SST, 30
NI	023995-000	1	30 PRO DOOR PANEL ASM, W/LOGO, SS
NI	025510-002	1	30 PRO DOOR PANEL ASM W/LOGO, BK
NI	025510-003	1	30 PRO DOOR PANEL ASM W/LOGO, BT
NI	025510-004	1	30 PRO DOOR PANEL ASM W/LOGO, SG
NI	025510-005	1	30 PRO DOOR PANEL ASM W/LOGO, GG
NI	025510-006	1	30 PRO DOOR PANEL ASM W/LOGO, WH
NI	025510-008	1	30 DOOR PANEL ASM W/LOGO, BU
NI	025510-009	1	30 PRO DOOR PANEL ASM W/LOGO, LE
NI	025510-010	1	30 PRO DOOR PANEL ASM W/LOGO, MJ
NI	025510-012	1	30 PRO DOOR PANEL ASM W/LOGO, VB
NI	025510-013	1	30 PRO DOOR PANEL ASM W/LOGO, CB
NI	025510-015	1	30 PRO DOOR PANEL ASM W/LOGO, PL
NI	025510-016	1	30 PRO DOOR PANEL ASM W/LOGO, CH
NI	025510-017	1	30 PRO DOOR PANEL ASM W/LOGO, TP
NI	025510-018	1	30 PRO DOOR PANEL ASM W/LOGO, CW
NI	025510-019	1	30 PRO DOOR PANEL ASM W/LOGO, OG
NI	025510-020	1	30 PRO DOOR PANEL ASM W/LOGO, GM
NI	025510-021	1	30 PRO DOOR PANEL ASM W/LOGO, SA
NI	025510-022	1	30 PRO DOOR PANEL ASM W/LOGO, SE
NI	025510-023	1	30 PRO DOOR PANEL ASM W/LOGO, IB
NI	025510-024	1	30 PRO DOOR PANEL ASM W/LOGO, AR
NI	025510-025	1	30 PRO DOOR PANEL ASM W/LOGO, RR
NI	025510-026	1	30 PRO DOOR PANEL ASM W/LOGO, PM
NI	025510-027	1	30 PRO DOOR PANEL ASM W/LOGO, MS

Ref #	Part Number	Qty.	Description
NI	025510-027	1	30 PRO DOOR PANEL ASM W/LOGO, MS
NI	023995-100	1	30 PRO DOOR PANEL ASM, W/LOGO, SS/BR
NI	025510-102	1	30 PRO DOOR PANEL ASM W/LOGO, BK/BR
NI	025510-103	1	30 PRO DOOR PANEL ASM W/LOGO, BT/BR
NI	025510-104	1	30 PRO DOOR PANEL ASM W/LOGO, SG/BR
NI	025510-105	1	30 PRO DOOR PANEL ASM W/LOGO, GG/BR
NI	025510-106	1	30 PRO DOOR PANEL ASM W/LOGO, WH/BR
NI	025510-108	1	30 PRO DOOR PANEL ASM W/LOGO, BU/BR
NI	025510-109	1	30 PRO DOOR PANEL ASM W/LOGO, LE/BR
NI	025510-110	1	30 PRO DOOR PANEL ASM W/LOGO, MJ/BR
NI	025510-112	1	30 PRO DOOR PANEL ASM W/LOGO, VB/BR
NI	025510-113	1	30 PRO DOOR PANEL ASM W/LOGO, CB/BR
NI	025510-115	1	30 PRO DOOR PANEL ASM W/LOGO, PL/BR
NI	025510-116	1	30 PRO DOOR PANEL ASM W/LOGO, CH/BR
NI	025510-117	1	30 PRO DOOR PANEL ASM W/LOGO, TP/BR
NI	025510-118	1	30 PRO DOOR PANEL ASM W/LOGO, CW/BR
NI	025510-119	1	30 PRO DOOR PANEL ASM W/LOGO, OG/BR
NI	025510-120	1	30 PRO DOOR PANEL ASM W/LOGO, GM/BR
NI	025510-121	1	30 PRO DOOR PANEL ASM W/LOGO, SA/BR
NI	025510-122	1	30 PRO DOOR PANEL ASM W/LOGO, SE/BR
NI	025510-123	1	30 PRO DOOR PANEL ASM W/LOGO, IB/BR
NI	025510-124	1	30 PRO DOOR PANEL ASM W/LOGO, AR/BR
NI	025510-125	1	30 PRO DOOR PANEL ASM W/LOGO, RR/BR
NI	025510-126	1	30 PRO DOOR PANEL ASM W/LOGO, PM/BR
NI	025510-127	1	30 PRO DOOR PANEL ASM W/LOGO, MS/BR
NI	023999-000	1	30 DOOR ASM, W/LOGO, SS
NI	025511-002	1	30 DOOR ASM, W/LOGO, BK
NI	025511-003	1	30 DOOR ASM, W/LOGO, BT
NI	025511-004	1	30 DOOR ASM, W/LOGO, SG
NI	025511-005	1	30 DOOR ASM, W/LOGO, GG
NI	025511-006	1	30 DOOR ASM, W/LOGO, WH
NI	025511-008	1	30 DOOR ASM, W/LOGO, BU
NI	025511-009	1	30 DOOR ASM, W/LOGO, LE
NI	025511-010	1	30 DOOR ASM, W/LOGO, MJ
NI	025511-012	1	30 DOOR ASM, W/LOGO, VB
NI	025511-013	1	30 DOOR ASM, W/LOGO, CB
NI	025511-015	1	30 DOOR ASM, W/LOGO, PL
NI	025511-016	1	30 DOOR ASM, W/LOGO, CH
NI	025511-017	1	30 DOOR ASM, W/LOGO, TP
NI	025511-018	1	30 DOOR ASM, W/LOGO, CW
NI	025511-019	1	30 DOOR ASM, W/LOGO, OG
NI	025511-020	1	30 DOOR ASM, W/LOGO, GM
NI	025511-021	1	30 DOOR ASM, W/LOGO, SA
NI	025511-022	1	30 DOOR ASM, W/LOGO, SE
NI	025511-023	1	30 DOOR ASM, W/LOGO, IB
NI	025511-024	1	30 DOOR ASM, W/LOGO, AR
NI	025511-025	1	30 DOOR ASM, W/LOGO, RR
NI	025511-026	1	30 DOOR ASM, W/LOGO, PM
NI	025511-027	1	30 DOOR ASM, W/LOGO, MS
NI	023999-100	1	30 DOOR ASM, W/LOGO, SS/BR
NI	025511-102	1	30 DOOR ASM, W/LOGO, BK/BR
NI	025511-106	1	30 DOOR ASM, W/LOGO, WH/BR
NI	025511-108	1	30 DOOR ASM, W/LOGO, BU/BR
NI	025511-109	1	30 DOOR ASM, W/LOGO, LE/BR
NI	025511-110	1	30 DOOR ASM, W/LOGO, MJ/BR
NI	025511-112	1	30 DOOR ASM, W/LOGO, VB/BR
NI	025511-113	1	30 DOOR ASM, W/LOGO, CB/BR
NI	025511-115	1	30 DOOR ASM, W/LOGO, PL/BR
NI	025511-116	1	30 DOOR ASM, W/LOGO, CH/BR
NI	025511-117	1	30 DOOR ASM, W/LOGO, TP/BR

Ref #	Part Number	Qty.	Description
NI	025511-117	1	30 DOOR ASM, W/LOGO, TP/BR
NI	025511-118	1	30 DOOR ASM, W/LOGO, CW/BR
NI	025511-119	1	30 DOOR ASM, W/LOGO, OG/BR
NI	025511-120	1	30 DOOR ASM, W/LOGO, GM/BR
NI	025511-121	1	30 DOOR ASM, W/LOGO, SA/BR
NI	025511-122	1	30 DOOR ASM, W/LOGO, SE/BR
NI	025511-123	1	30 DOOR ASM, W/LOGO, IB/BR
NI	025511-124	1	30 DOOR ASM, W/LOGO, AR/BR
NI	025511-125	1	30 DOOR ASM, W/LOGO, RR/BR
NI	025511-126	1	30 DOOR ASM, W/LOGO, PM/BR
NI	025511-127	1	30 DOOR ASM, W/LOGO, MS/BR
NI	036914-000	1	30 WALL OVEN DOOR SERVICE KIT (FOR UNITS MANUFACTURED BEFORE 2/14/12)



Ref #	Part Number	Qty.	Description
1	025186-000	1	ENDCAP, DOOR HDL, ASM, LH
1	025186-100	1	ENDCAP,DOOR HDL,ASM,LH (BR)
2	024987-000	1	PANEL,DOOR,NO LOGO,30 (NOT FIELD REPLACEABLE - MUST ORDER DOOR PANEL A...
3	004907-000	2	STEEL FINISHING PLUG, NICKEL PLTD 25/64 HOLE
4	PE060105	1	30 J-MOLD (CHROME) NOT FIELD REPLACEABLE
5	L20014077	1	30 WINDOW HOLDER NOT FIELD REPLACEABLE
6	023994-000	1	PANEL,INSL
7	024005-000	2	BRACKET
8	A20012641	1	HINGE SUPPORT LH
9	PD020004	4	10X3/8PH.HD.TYPE 25 REPL PD040125
10	A2009632	1	PANEL, INULATION, INNER DOOR
11	PE060094	1	30 WINDOW PACK
12	000594-066	1	BLACK FIBERGLASS ROPE 3/8
13	PB070246	1	30 DOOR GASKET
14	G9109625	1	DOOR LINER PORC.
14	G9109625BK	1	DOOR LINER PORC. - BLACK (AS OF 12/20/12)
15	PD020063	8	SCREW-NO.8(A) X 3/8PH WFR HD/BK OXID
16	023799-000	2	HINGE, MANSFIELD, RED
17	A20012640	1	HINGE SUPPORT RH
18	PD020014	6	10X3/4 PH TR HD SMS
19	002732-000	1	DOOR SKIN MOUNTING BRACKET ASSY
20	PD020033	8	SRW-NO.10-24X1/2T(23)PH.WFR HD (NKL)
21	PE060090	1	30 PROF. OUTER DOOR GLASS
22	025264-000	1	PANEL,INSL,30, DOOR
23	PD020073	2	SRW NO.10 X 24 X 3/8 WAFER HD TYPE23
24	003650-000	2	SET SCREW
25	025187-000	1	ENDCAP, DOOR HDL, ASM, RH
25	025187-100	1	ENDCAP,DOOR HDL,ASM,RH (BR)
26	PD020032	5	SRW-8(A)X3/8PH.WFR HD 7/16DIAXNICL
27	023998-000	1	HANDLE, DOOR, SST, 30
NI	024996-000	1	30 DOOR PANEL ASM, W/O LOGO, SS
NI	025513-002	1	30 DOOR PANEL ASM, W/O LOGO, (BK/BR)
NI	025513-003	1	30 PRO DOOR PANEL ASM W/O LOGO, BT
NI	025513-004	1	30 PRO DOOR PANEL ASM W/O LOGO, SG
NI	025513-005	1	30 PRO DOOR PANEL ASM W/O LOGO, GG
NI	025513-006	1	30 DOOR PANEL ASM, W/O LOGO, (WH/BR)
NI	025513-008	1	30 PRO DOOR PANEL ASM W/O LOGO, BU
NI	025513-009	1	30 PRO DOOR PANEL ASM W/O LOGO, LE
NI	025513-010	1	30 PRO DOOR PANEL ASM W/O LOGO, MJ
NI	025513-012	1	30 PRO DOOR PANEL ASM W/O LOGO, VB
NI	025513-013	1	30 PRO DOOR PANEL ASM W/O LOGO, CB
NI	025513-015	1	30 PRO DOOR PANEL ASM W/O LOGO, PL
NI	025513-016	1	30 PRO DOOR PANEL ASM W/O LOGO, CH
NI	025513-017	1	30 PRO DOOR PANEL ASM W/O LOGO, TP
NI	025513-018	1	30 PRO DOOR PANEL ASM W/O LOGO, CW
NI	025513-019	1	30 PRO DOOR PANEL ASM W/O LOGO, OG
NI	025513-020	1	30 PRO DOOR PANEL ASM W/O LOGO, GM
NI	025513-021	1	30 DOOR PANEL ASM, W/O LOGO, SA
NI	025513-022	1	30 PRO DOOR PANEL ASM W/O LOGO, SE
NI	025513-023	1	30 PRO DOOR PANEL ASM W/O LOGO, IB
NI	025513-024	1	30 PRO DOOR PANEL ASM W/O LOGO, AR
NI	025513-025	1	30 PRO DOOR PANEL ASM W/O LOGO, RR
NI	025513-026	1	30 PRO DOOR PANEL ASM W/O LOGO, PM
NI	025513-027	1	30 PRO DOOR PANEL ASM W/O LOGO, MS
NI	024996-100	1	30 DOOR PANEL ASM, W/O LOGO, SS/BR
NI	025513-102	1	30 DOOR PANEL ASM, W/O LOGO, (BK/BR)
NI	025513-103	1	30 PRO DOOR PANEL ASM W/O LOGO, BT/BR
NI	025513-104	1	30 PRO DOOR PANEL ASM W/O LOGO, SG/BR

Ref #	Part Number	Qty.	Description
NI	025513-104	1	30 PRO DOOR PANEL ASM W/O LOGO, SG/BR
NI	025513-105	1	30 PRO DOOR PANEL ASM W/O LOGO, GG/BR
NI	025513-106	1	30 DOOR PANEL ASM, W/O LOGO, (WH/BR)
NI	025513-108	1	30 PRO DOOR PANEL ASM W/O LOGO, BU/BR
NI	025513-109	1	30 PRO DOOR PANEL ASM W/O LOGO, LE/BR
NI	025513-110	1	30 PRO DOOR PANEL ASM W/O LOGO, MJ/BR
NI	025513-112	1	30 PRO DOOR PANEL ASM W/O LOGO, VB/BR
NI	025513-113	1	30 PRO DOOR PANEL ASM W/O LOGO, CB/BR
NI	025513-115	1	30 PRO DOOR PANEL ASM W/O LOGO, PL/BR
NI	025513-116	1	30 PRO DOOR PANEL ASM W/O LOGO, CH/BR
NI	025513-117	1	30 PRO DOOR PANEL ASM W/O LOGO, TP/BR
NI	025513-118	1	30 PRO DOOR PANEL ASM W/O LOGO, CW/BR
NI	025513-119	1	30 PRO DOOR PANEL ASM W/O LOGO, OG/BR
NI	025513-120	1	30 PRO DOOR PANEL ASM W/O LOGO, GM/BR
NI	025513-121	1	30 PRO DOOR PANEL ASM W/O LOGO, SA/BR
NI	025513-122	1	30 PRO DOOR PANEL ASM W/O LOGO, SE/BR
NI	025513-123	1	30 PRO DOOR PANEL ASM W/O LOGO, IB/BR
NI	025513-124	1	30 PRO DOOR PANEL ASM W/O LOGO, AR/BR
NI	025513-125	1	30 PRO DOOR PANEL ASM W/O LOGO, RR/BR
NI	025513-126	1	30 PRO DOOR PANEL ASM W/O LOGO, PM/BR
NI	025513-127	1	30 PRO DOOR PANEL ASM W/O LOGO, MS/BR
NI	024997-000	1	30 DOOR ASM, W/O LOGO
NI	025514-002	1	30 DOOR ASM W/O LOGO, DCBZ (BK/BR)
NI	025514-003	1	30 DOOR ASM, W/O LOGO, BT
NI	025514-004	1	30 DOOR ASM, W/O LOGO, SG
NI	025514-005	1	30 DOOR ASM, W/O LOGO, GG
NI	025514-006	1	30 DOOR ASM W/O LOGO, DCBZ (WH/BR)
NI	025514-008	1	30 DOOR ASM, W/O LOGO, BU
NI	025514-009	1	30 DOOR ASM, W/O LOGO, LE
NI	025514-010	1	30 DOOR ASM, W/O LOGO, MJ
NI	025514-012	1	30 DOOR ASM, W/O LOGO, VB
NI	025514-013	1	30 DOOR ASM, W/O LOGO, CB
NI	025514-015	1	30 DOOR ASM, W/O LOGO, PL
NI	025514-016	1	30 DOOR ASM, W/O LOGO, CH
NI	025514-017	1	30 DOOR ASM, W/O LOGO, TP
NI	025514-018	1	30 DOOR ASM, W/O LOGO, CW
NI	025514-019	1	30 DOOR ASM, W/O LOGO, OG
NI	025514-020	1	30 DOOR ASM, W/O LOGO, GM
NI	025514-021	1	30 DOOR ASM, W/O LOGO, SA
NI	025514-022	1	30 DOOR ASM, W/O LOGO, SE
NI	025514-023	1	30 DOOR ASM, W/O LOGO, IB
NI	025514-024	1	30 DOOR ASM, W/O LOGO, AR
NI	025514-025	1	30 DOOR ASM, W/O LOGO, RR
NI	025514-026	1	30 DOOR ASM, W/O LOGO, PM
NI	025514-027	1	30 DOOR ASM, W/O LOGO, MS
NI	024997-100	1	30 DOOR ASM W/O LOGO, SS/BR
NI	025514-102	1	30 DOOR ASM W/O LOGO, DCBZ (BK/BR)
NI	025514-106	1	30 DOOR ASM W/O LOGO, DCBZ (WH/BR)
NI	025514-108	1	30 DOOR ASM, W/O LOGO, BU/BR
NI	025514-109	1	30 DOOR ASM, W/O LOGO, LE/BR
NI	025514-110	1	30 DOOR ASM, W/O LOGO, MJ/BR
NI	025514-112	1	30 DOOR ASM, W/O LOGO, VB/BR
NI	025514-113	1	30 DOOR ASM, W/O LOGO, CB/BR
NI	025514-115	1	30 DOOR ASM, W/O LOGO, PL/BR
NI	025514-116	1	30 DOOR ASM, W/O LOGO, CH/BR
NI	025514-117	1	30 DOOR ASM, W/O LOGO, TP/BR
NI	025514-118	1	30 DOOR ASM, W/O LOGO, CW/BR
NI	025514-119	1	30 DOOR ASM, W/O LOGO, OG/BR
NI	025514-120	1	30 DOOR ASM, W/O LOGO, GM/BR
NI	025514-121	1	30 DOOR ASM, W/O LOGO, SA/BR

Ref #	Part Number	Qty.	Description
NI	025514-121	1	30 DOOR ASM, W/O LOGO, SA/BR
NI	025514-122	1	30 DOOR ASM, W/LOGO, SE/BR
NI	025514-123	1	30 DOOR ASM, W/O LOGO, IB/BR
NI	025514-124	1	30 DOOR ASM, W/O LOGO, AR/BR
NI	025514-125	1	30 DOOR ASM, W/O LOGO, RR/BR
NI	025514-126	1	30 DOOR ASM, W/O LOGO, PM/BR
NI	025514-127	1	30 DOOR ASM, W/O LOGO, MS/BR
NI	036914-000	1	30 WALL OVEN DOOR SERVICE KIT (FOR UNITS MANUFACTURED BEFORE 2/14/12)

*No Image
Available*

Ref #	Part Number	Qty.	Description
NI	001097-000	2	FAN MOTOR JUMPER
NI	000915-000	2	LIMIT JUMPER
NI	PE070733	1	UPPER LATCH HARNESS
NI	PE070735	1	MEAT PROBE HARNESS
NI	PE070736	1	LOWER CONTROL HARNESS
NI	PE070738	4	T/STAT-SEL HARNESS
NI	PE070739	2	BAKE ELEMENT HARNESS
NI	PE070740	1	LOWER LATCH HARNESS
NI	PE070742	1	UPPER CONTROL HARNESS
NI	PE070746	1	DOUBLE ANALOG CLOCK HARNESS
NI	027543-000	1	JMPR, LED, 240V ADPT