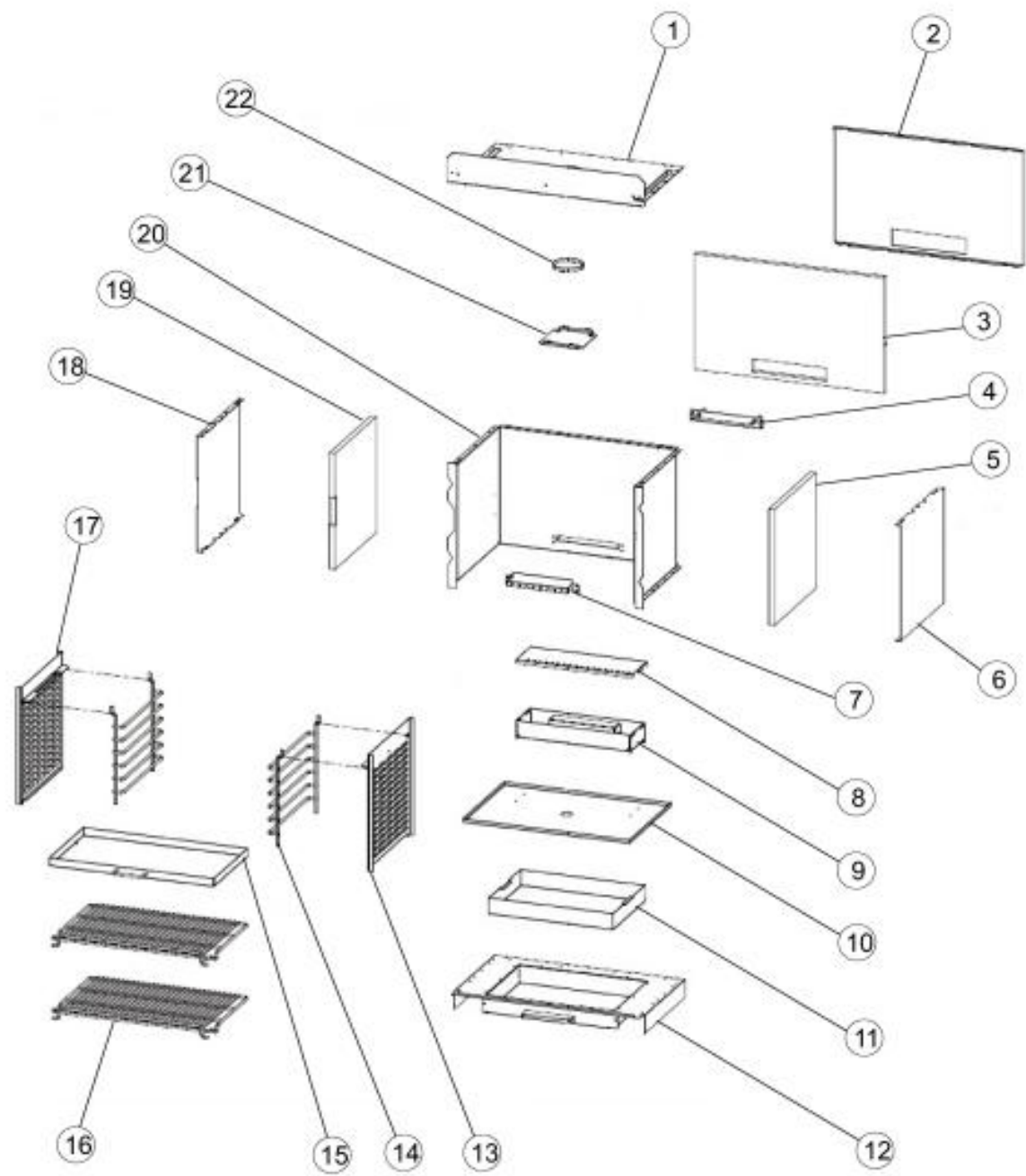


Ref #	Part Number	Qty.	Description
No	Part Number	Qty	DESCRIPTION
1	022668-000	1	ALUMINIUM ALLOY FRAME, MIDDLE
2	022669-000	1	TOP COVER
3	022670-000	1	ALUMINIUM ALLOY FRAME, TOP
4	022671-000	1	BACK UPPER COVER
5	022672-000	1	BACK LOWER COVER
6	022673-000	1	OUT SIDE AND BACK
7	022674-000	1	ALUMINIUM ALLOY FRAME, LEFT
8	022675-000	1	ALUMINIUM ALLOY FRAME, RIGHT
9	022676-000	1	ALUMINIUM ALLOY FRAME, BOTTOM
10	022677-000	1	RELAY
11	022678-000	1	POWER DISTRIBUTION BLOCK
12	022679-000	1	THERMO SWITCH
13	022680-000	1	REAR FAN BASE ASSEMBLY
14	022681-000	1	BACK FAN
15	022682-000	1	POWER FIXING SHELF ASSEMBLY
16	022683-000	1	FACE FRAME ASSEMBLY
17	022684-000	2	HINGE BRACKET
18	022685-000	4	BOLT M6X10
19	022686-000	1	DOOR ASSEMBLY
20	022687-000	1	DOOR LOCK BEAD MALE WELDING
21	022688-000	2	LARGE KNOB, THERMOSTAT
22	022689-000	2	LARGE BEZEL-B
23	022690-000	1	FACE PANEL ASSEMBLY
24	022691-000	1	SMOKER SWITCH
25	022692-000	1	THERMOSTAT
26	022693-000	1	HEATING TUBE WELDING ASSY
27	022694-000	1	HEATING CABINET HOOD ASSEMBLY
28	022695-000	1	TOP FAN ASSEMBLY
29	022696-000	1	HEAT INSULATION COTTON, HOOD
30	022697-000	1	HEATING AIR BOX ASSEMBLY



Ref #	Part Number	Qty.	Description
No	Part Number	Qty	DESCRIPTION
1	022698-000	1	INNER BOX TOP
2	022699-000	1	HEAT INSULATION HOOD OF BACK
3	022700-000	1	HEAT INSULATION COTTON OF BACK
4	022701-000	1	SMOKER HEATING TUBE ASSEMBLY
5	022702-000	1	HEAT INSULATION COTTON OF RIGHT
6	022703-000	1	HEAT INSULATION HOOD OF RIGHT
7	022704-000	1	SMOKER HEATING TUBE COVER
8	022705-000	1	SMOKER BOX COVER
9	022706-000	1	SMOKER BOX BODY ASSEMBLY
10	022707-000	1	INNER BOTTOM COVER
11	022708-000	1	INNER BOTTOM BOX
12	022709-000	1	IN BASE BOTTOM BOX ASSEMBLY
13	022710-000	1	WATER PAN BRACKET ASSEMBLY 1
14	022711-000	2	SHELF UNIT
15	022712-000	1	WATER PAN WELDING ASSEMBLY
16	022713-000	2	FOOD SHELF UNIT
17	022714-000	1	WATER PAN BRACKET ASSEMBLY 2
18	022715-000	1	HEAT INSULATION HOOD OF LEFT
19	022716-000	1	HEAT INSULATION COTTON OF LEFT
20	022717-000	1	IN SIDE AND BACK
21	022718-000	1	HEATING VENT BOTTOM
22	022719-000	1	HEATING VENT
No.	022720-000	1	EARTH TERMINAL
No.	022721-000	1	POWER CABLE & PLUG
No.	022722-000	1	FIXTING CLIP OF POWER CABLE
No.	022723-000	1	INDICATOR LIGHT