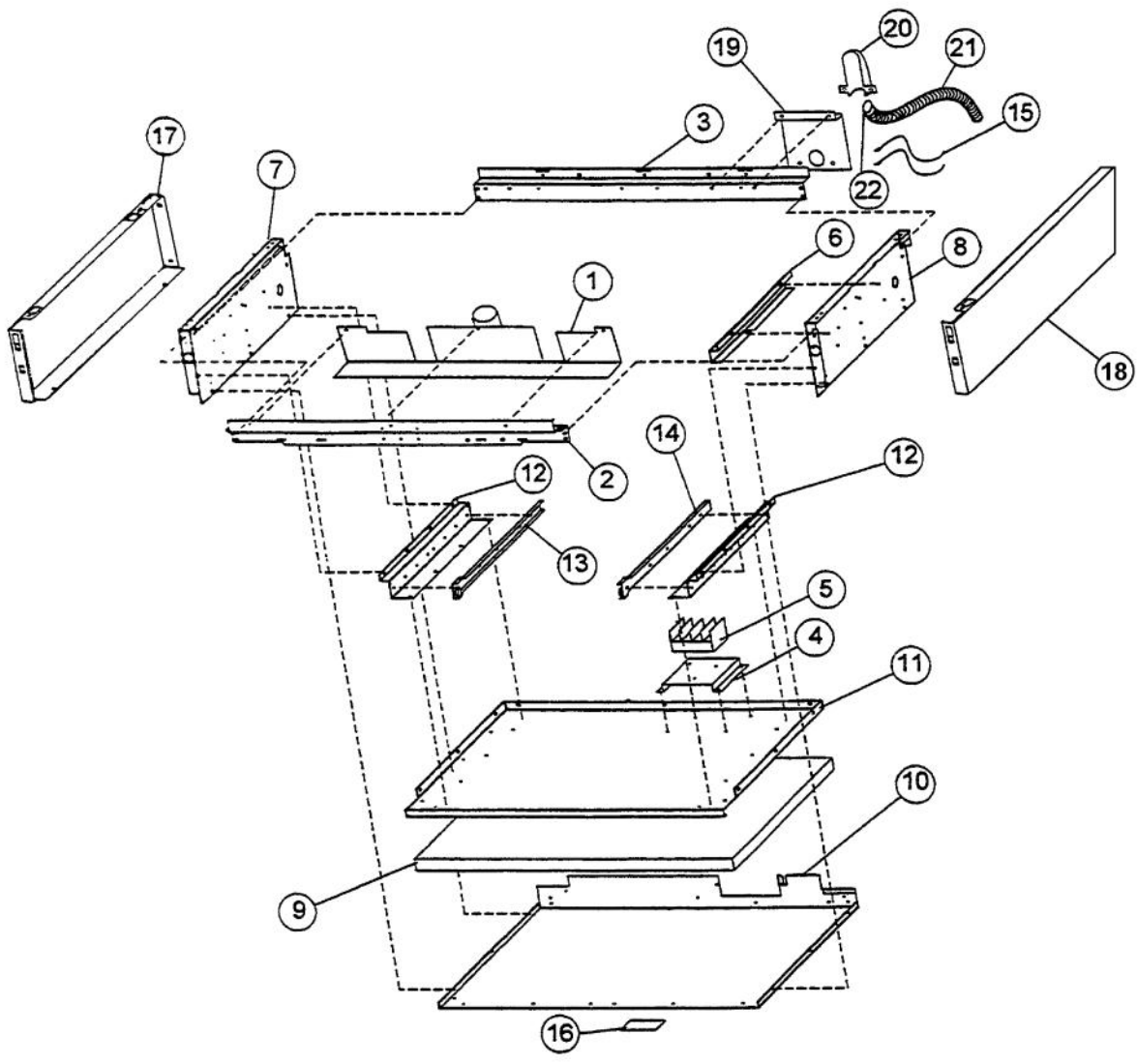
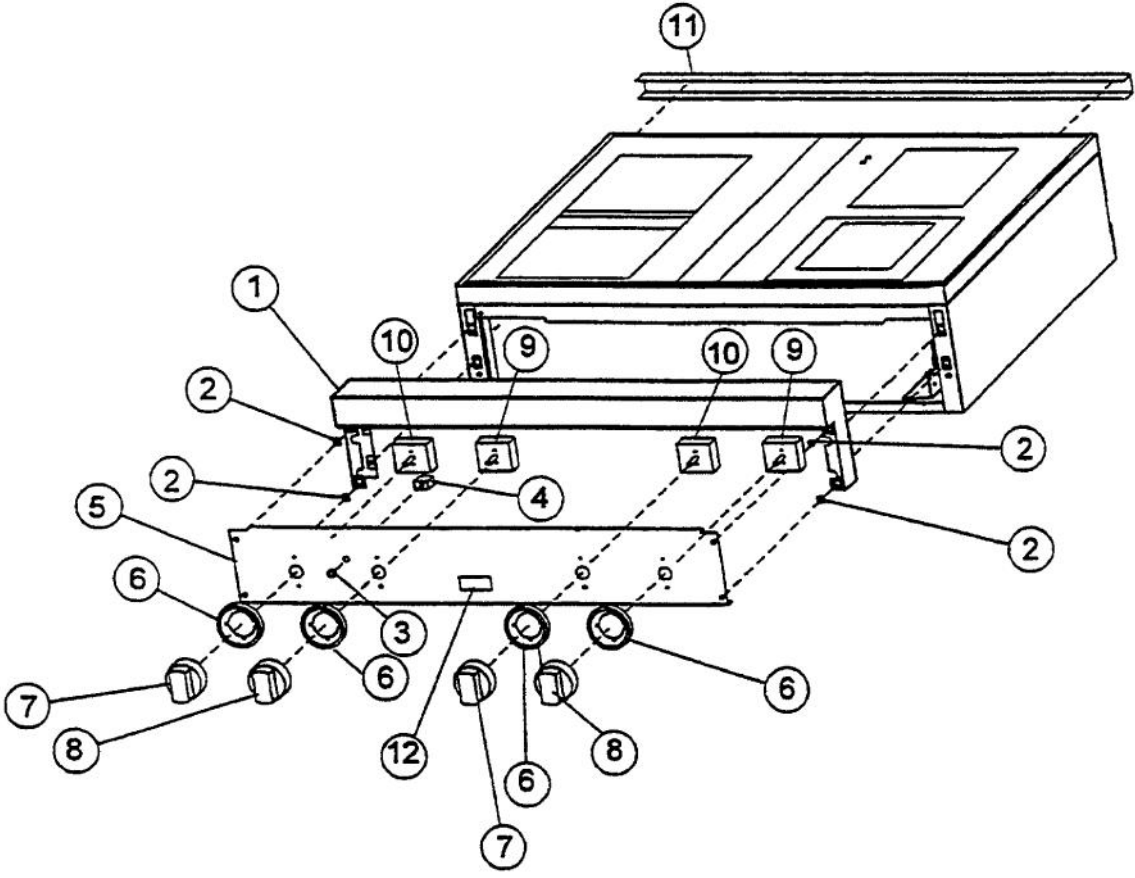


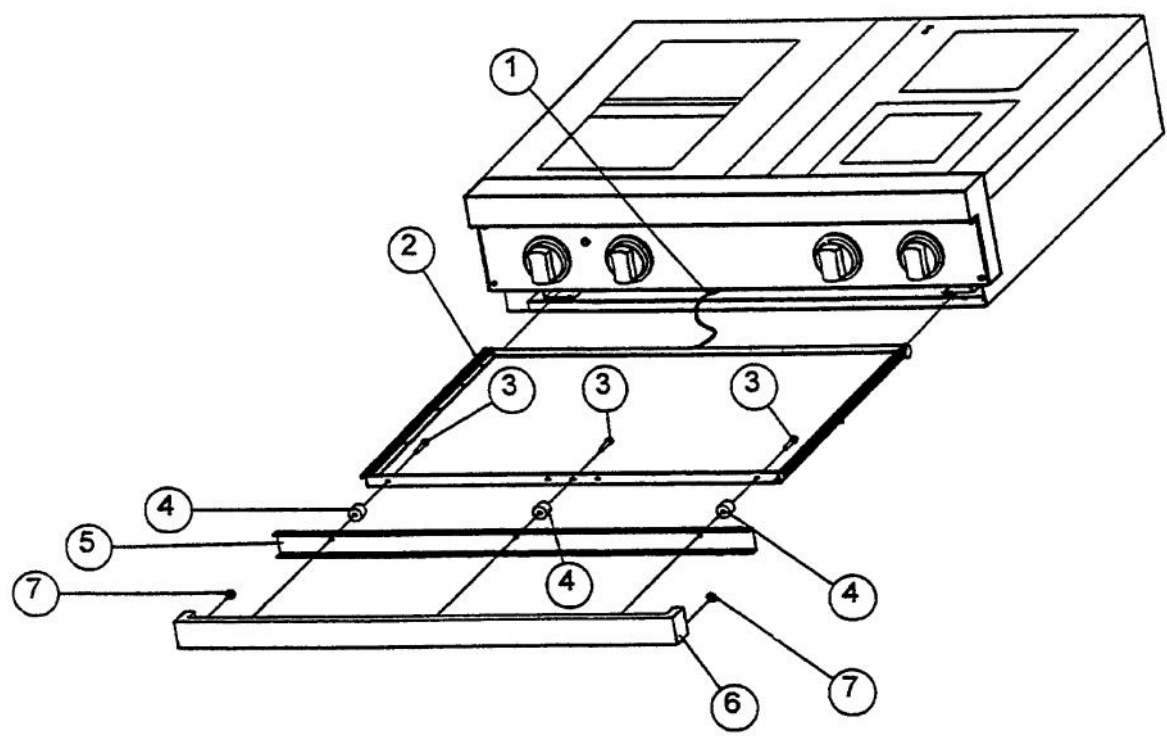
| Ref # | Part Number | Qty. | Description |
|-------|--------------------------|------|---|
| 1 | G5007437BK G5007437WH | | CERAMIC TOP FRAME ASSY XBKX CERAMIC TOP FRAME ASSY XWHX |
| 2 | PJ020004 | | ELEMENT-(2)1800 X 800 |
| 3 | PD040033 | | ELEMENT SHOULDER |
| 4 | PJ020001 | | ELEMENT-2400(1000) |
| 5 | PJ020003 | | ELEMENT |
| 6 | A2003020 | | ELEMENT SUPT RH (VESC305-4B) |
| 7 | A2003019 | | ELEMENT SUPT LH (VESC305-4B) |
| 8 | A2007938 | | LIGHT BRACKET |
| 9 | C2003001 | | ELEMENT SPRING (VESC305-4B) |
| 10 | PD040032 | | SPACER (VESC/VERT) (1/4 X 1/4) |
| 11 | PE070174 | | ELEMENT HARNESS-LH (VESC305-4B) |
| 12 | PE070175 | | ELEMENT HARNESS-RH (VESC305-4B) |
| 13 | PE050077 | | INDICATOR LIGHT |
| 14 | G3002584 G9302585PVD | | DRIP TRAY HANDLE - SS (BEFORE 03/2404) FALSE DRIP TRAY HANDLE - BR |
| NI | A20011466 | | FALSE DRIP TRAY HANDLE BRKT. LH |
| NI | A20011467 | | FALSE DRIP TRAY HANDLE BRKT. RH |
| NI | A1003021 | | ELEMENT BRKT |
| NI | A2007937 | | LIGHT SUPPORT BRACKET |



| Ref # | Part Number | Qty. | Description |
|-------|-------------|------|-------------------------------------|
| 1 | A2003004 | | CTRL PAN SHIELD (VESC305-4B) |
| 2 | A2003007 | | FRONT SUPT (VESC305-4B) |
| 3 | A2003008 | | REAR SUPT (VESC305-4B) |
| 4 | A2003002 | | TERMINAL BLOCK MTG BRKT (VERT300) |
| 5 | PE070231 | | TERMINAL BLOCK - 6 POLE (HEYCO) |
| 6 | A2000210 | | WIRE CHANNEL |
| 7 | A2001912 | | BURNER BOX SIDE LH |
| 8 | A2001911 | | BURNER BOX SIDE RH |
| 9 | PB070034 | | INSULATION-TRS-10 1 X 20 X 3` |
| 10 | A2001400 | | BURNER BOX BTM |
| 11 | A2001401 | | INSULATION PANEL |
| 12 | A2001160 | | DRIP TRAY GUIDE BRKT (VGRT) |
| 13 | PK000007 | | DRIP TRAY GUIDE - LH (VGRT) |
| 14 | PK000008 | | DRIP TRAY GUIDE - RH |
| 15 | G4003024 | | TERMINAL BLOCK WIRE(VERT300)RED 12 |
| | G4003025 | | TERMINAL BLOCK WIREXBKX (VERT300) 1 |
| 16 | PE020088 | | RATING LABEL |
| 17 | B2001920 | | SIDE PANEL-LH (VGRT) |
| 18 | B2001919 | | SIDE PANEL-RH (VGRT) |
| 19 | A2003018 | | CONDUIT BRKT (VERT300) |
| 20 | PB040070 | | CONDUIT FITTING (90 DEG) |
| 21 | PB020071 | | CONDUIT - FLEXIBLE (48) |
| 22 | PD040034 | | CONDUIT GROMMET (1/2) |
| NI | PE070276 | | EVERT WIRE HARNESS |
| NI | G4003006 | | RED - SUPPLY WIRE |
| NI | G4003009 | | BKX- SUPPLY WIRE |
| NI | G4003016 | | GREEN - SUPPLY WIRE |
| NI | G4003017 | | WHX - SUPPLY WIRE |
| NI | G4007935 | | HOT SURFACE LIGHT HARNESS (VERT) |



| Ref # | Part Number | Qty. | Description |
|-------|-------------|------|--------------------------------------|
| 1 | PK010020 | | LANDING LEDGE ASSEMBLY |
| 2 | PD030050 | | 10-24 CAGE NUT SS |
| 3 | PE050077 | | INDICATOR LIGHT |
| 4 | PE050072 | | LENS OPENING (250 VOLT) |
| 5 | B9202833 | | CTRL PAN (VERT300-4B) XSLK SCRX |
| | C9202833BK | | CTRL PAN XBKX (VERT300-4B) XSLK |
| | C9202833WH | | CTRL PAN XWHX (VERT300-4B) XSLK S |
| 6 | PB010208 | | BEZEL, CHROME PLATE |
| | PB010209 | | BEZEL BRASS |
| 7 | PB010143 | | KNOB-DUAL INFINITE SWITCH XBKX |
| | PB010144 | | KNOB-DUAL INFINITE SWITCH XWHX |
| 8 | PB010145 | | KNOB-SINGLE INFINITE SWITCH XBKX |
| | PB010146 | | KNOB-SINGLE INFINITE SWITCH XWHX |
| 9 | PJ030007 | | INFINITE SWITCH |
| 10 | G50013538 | | PJ030027 INFINITE SWITCH SERVICE KIT |
| 11 | B2002763 | | REAR FRAME TRIM (VERT) |
| 12 | PE010142 | | 3 LOGO XBKXXCHROME |
| | PE010144 | | 3 LOGO XWHXCHROME |
| | PE010143 | | 3 LOGO BK/BR |
| | PE010145 | | LOGO - WH / BR |



| Ref # | Part Number | Qty. | Description |
|-------|-------------|------|--|
| 1 | G4002752 | | DRIP TRAY GROUND WIRE (VDSC) |
| 2 | B3002766 | | DRIP TRAY (W/OUT EMBOSS) 30 |
| 3 | PD020049 | | NO.10 X 1 1/4 PH. PAN HD. T(A) |
| 4 | PD040028 | | BUSHING(.194ID/.750OD/.750LONG) |
| 5 | B2002589 | | DRIP TRAY HAN BACK PLATE (VDSC30) |
| 6 | G3002584 | | DRIP TRAY HANDLE - SS (BEFORE 03/2404) |
| | G9302585PVD | | FALSE DRIP TRAY HANDLE - BR |
| 7 | PD040004 | | GROMMET BUMPER |
| NI | PK000009 | | RUNNER, DRIP TRAY - LH (VGRT) |
| NI | PK000010 | | RUNNER, DRIP TRAY - RH (VGRT) |