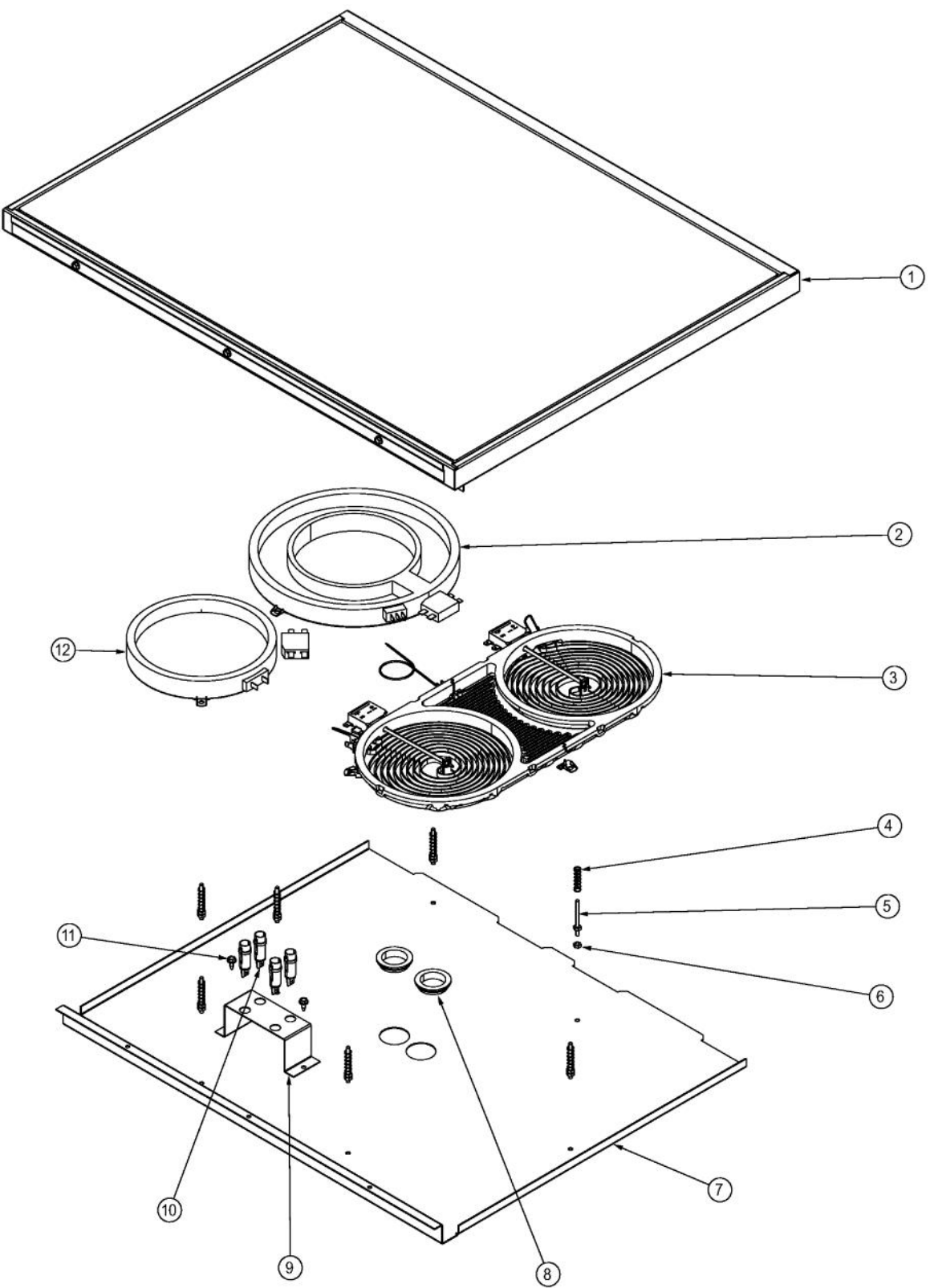
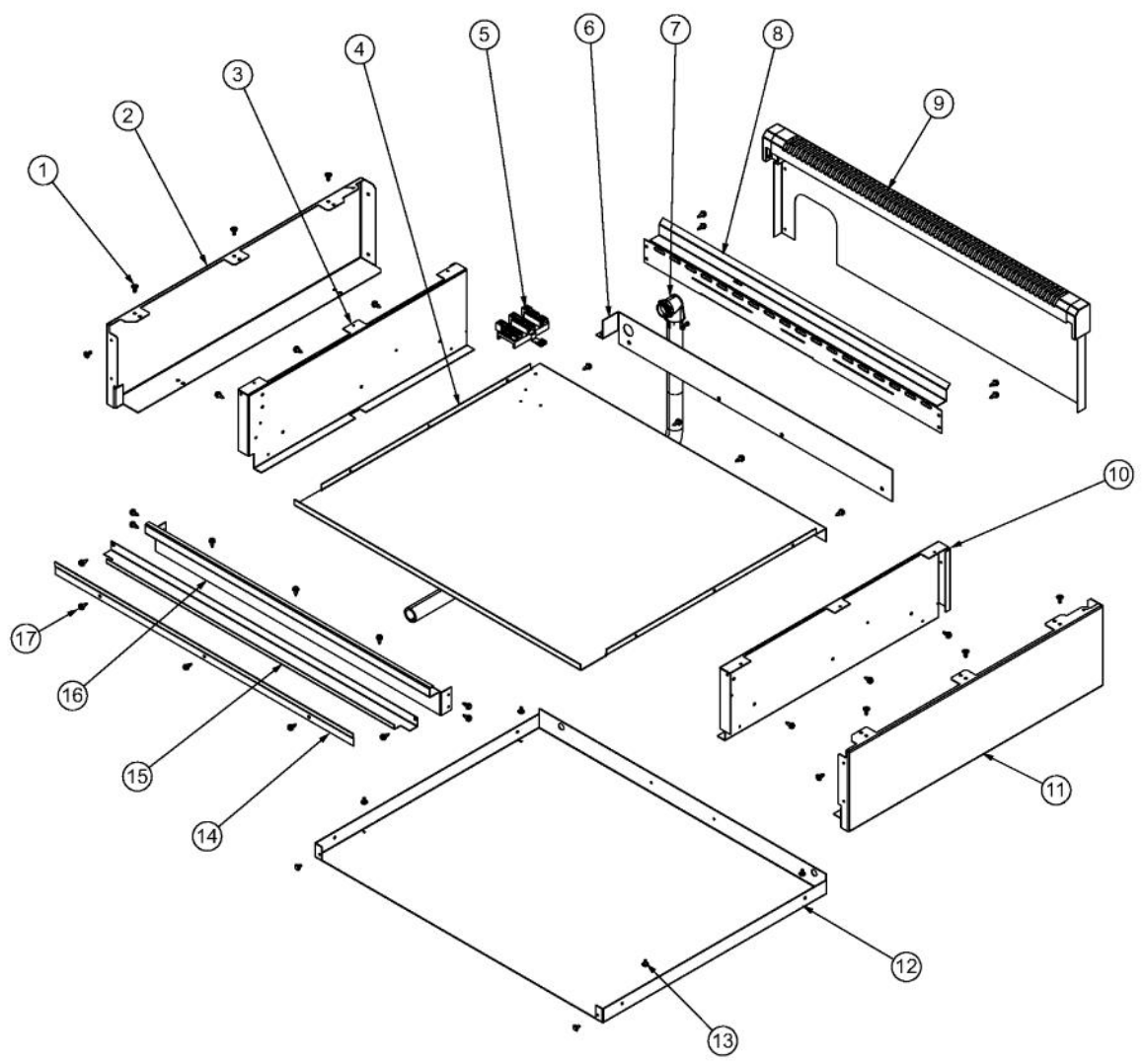


Ref #	Part Number	Qty.	Description
1	012668-000	1	PANEL, CTRL, ASM, VERT530
2	005966-000	2	SWITCH, DUAL, INF
3	011444-000	2	SINGLE INFINITE SWITCH
4	PE050072	1	LENS OPENING (250 VOLT)
5	009331-000	1	TRIM, ASM
6	PD020032	3	SRW-8(A)X3/8PH.WFR HD 7/16DIAXNICL
7	PE050023	1	OVEN IND. LIGHT (LENS & BEZEL)
8	PB010304	4	KNOB BEZEL
NI	PB010304PVD	4	RESTYLE KNOB BEZEL, BR
9	PD020044	8	NO.8-32 X 1/4 PH. TR. HD. M.S.
10	007045-000	2	KNOB, SGL, ASM, INFINITE, PVD, NO.3, SSS
NI	006102-000	2	SINGLE KNOB, WHITE
11	007046-000	2	KNOB, DUAL, ASM, INFINITE, PVD, NO.3, SSS
NI	006103-000	2	DUAL KNOB, WHITE
NI	PE010142	1	3 LOGO XBKXXCHROME
NI	PE010144	1	3 LOGO XWHXCHROME



Ref #	Part Number	Qty.	Description
1	004448-000	1	COOKTOP, GL, ASM, BK
NI	005792-000	1	COOKTOP, CRMC ASM, WHITE
2	008132-000	1	2500 (1000) W ELEMENT ASM
3	008134-000	1	4400W BRIDGE ELEMENT ASM
4	PC010006	7	GUIDE SPRING DESU
5	PD010148	7	ELEMENT STUD
6	PD040056	7	ELEMENT STUD NUT
7	004576-000	1	PLATE, BNR, MT
8	PB070320	2	SILICONE EXTRUSION
9	004632-000	1	HOLDER, LAMP
10	PE050113	4	DECU INDICATOR LIGHT (SP-2185-BDPS)
11	003860-000	2	NO.10-18 X .500 FASTNR,SCR,HXWH,STL,ZPLT
12	008133-000	1	1500W ELEMENT ASM



Ref #	Part Number	Qty.	Description
1	003801-000	8	SHOULDER SCREW, NO.10
2	008101-000	1	PANEL, LH, RANGETOP
3	003481-000	1	BURNER BOX SIDE, LH
4	012664-000	1	PANEL, LWR, VERT530
5	PE070147	1	TERMINAL BLOCK
6	012665-000	1	BRACKET, MTG, CONDUIT
7	006613-000	1	CONDUIT CORD
8	004575-000	1	SUPPORT, RNG, TOP, REAR
9	004464-000	1	TRIM, IS, ASM, REDESIGN, 30
10	002755-000	1	BURNER BOX SIDE, RH
11	008100-000	1	PANEL, RH RANGETOP
12	012663-000	1	PANEL, BOT, VERT530
13	PD020032	6	SRW-8(A)X3/8PH.WFR HD 7/16DIAXNICL
14	006866-000	1	BRACKET, SPRT, FR
15	004577-000	1	DRIP, LEDGE
16	004574-000	1	SUPPORT, RNG, TOP, FR
17	003860-000	26	NO.10-18 X .500 FASTNR,SCR,HXWH,STL,ZPLT