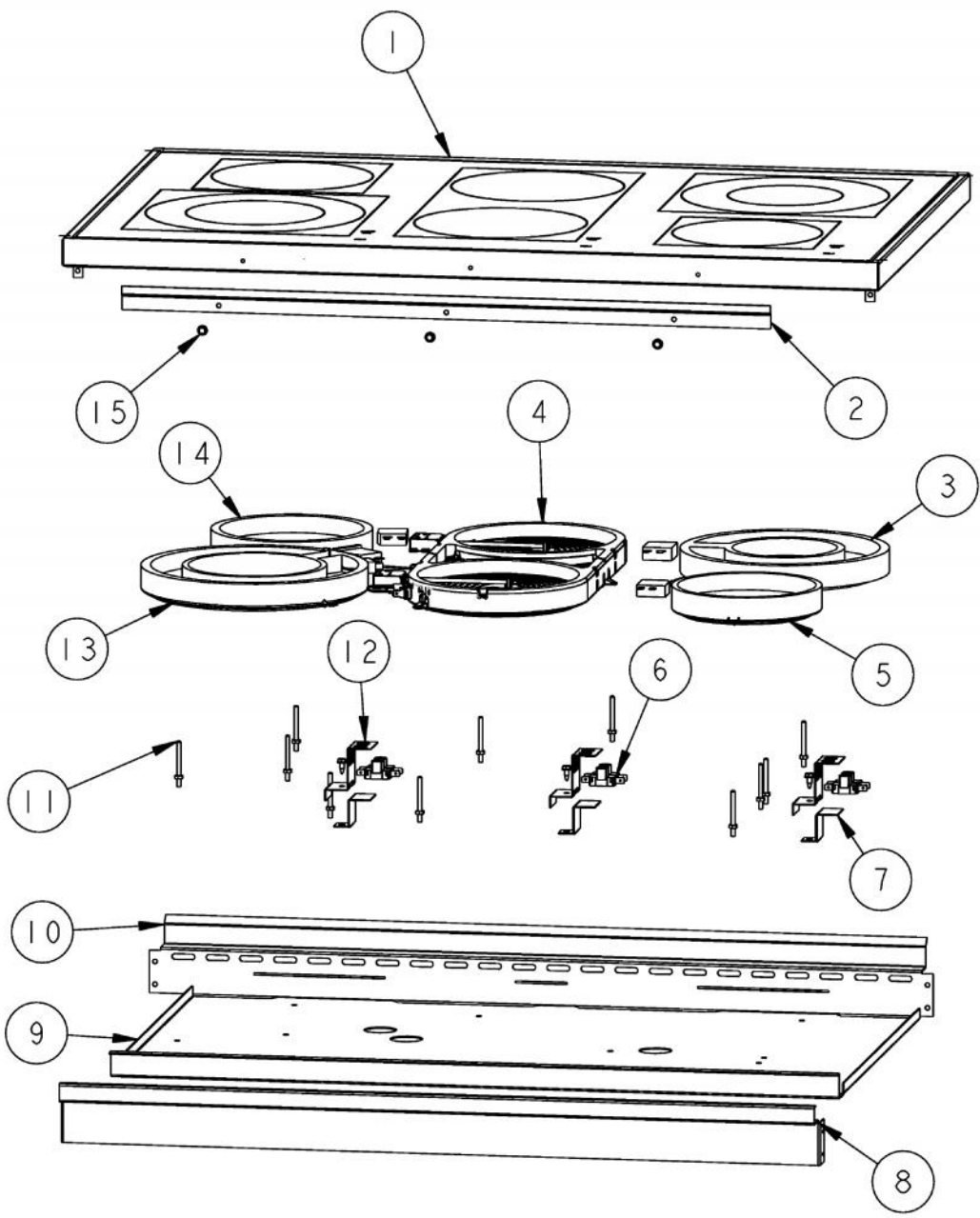
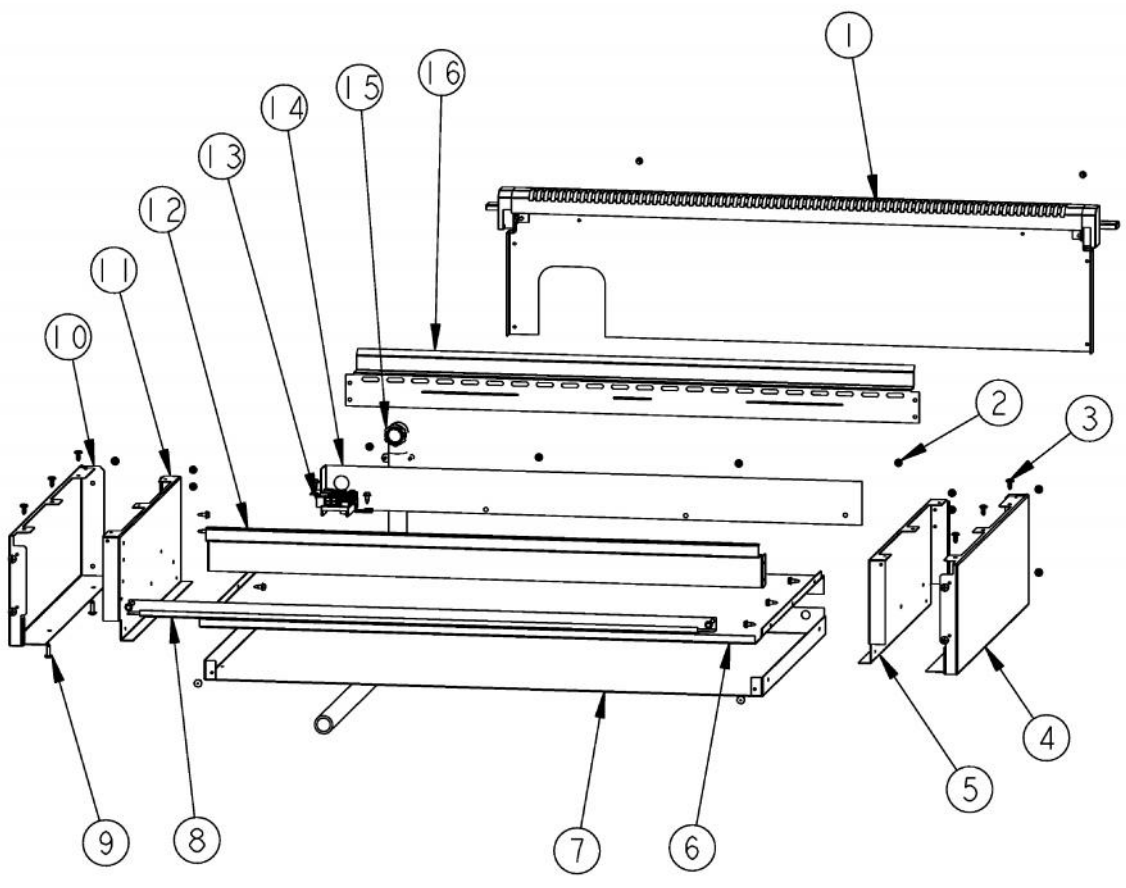


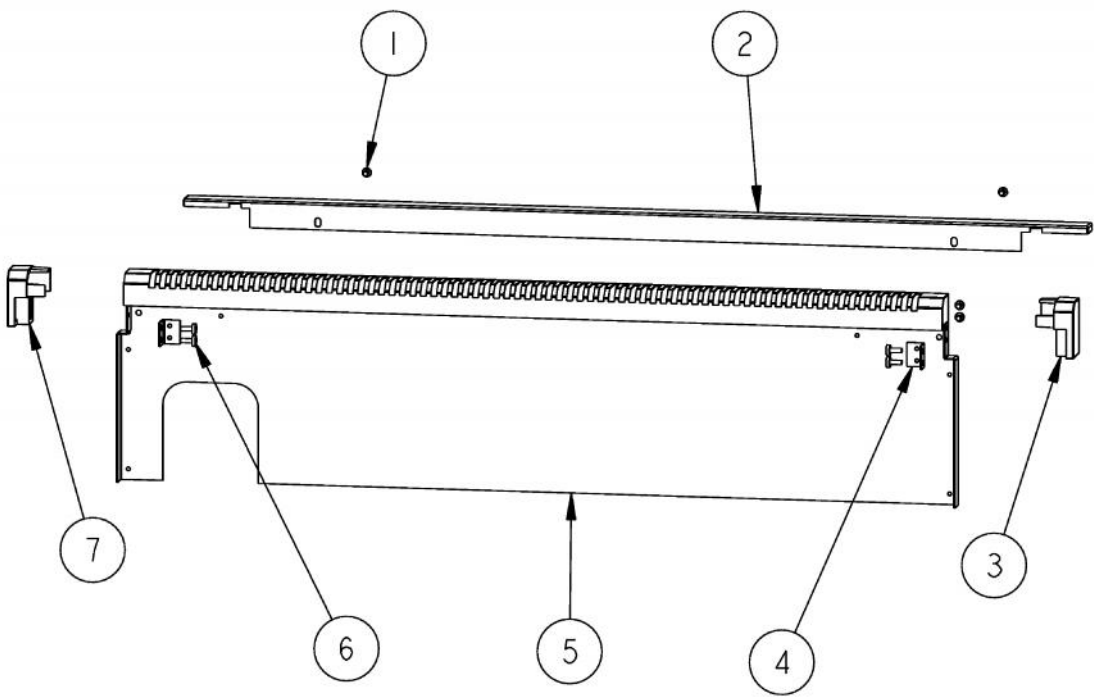
Ref #	Part Number	Qty.	Description
1	PE010142	1	3 LOGO XBKXXCHROME
	PE010144	1	3 LOGO XWHXCHROME
2	005966-000	3	SWITCH, DUAL, INF
3	PJ030007	3	INFINITE SWITCH
4	008106-000	1	CONTROL, IND, ASM, PANEL, VERT536
5	PE050023	1	OVEN IND. LIGHT (LENS & BEZEL)
6	PE050072	1	LENS OPENING (250 VOLT)
7	PD020032	3	SRW-8(A)X3/8PH.WFR HD 7/16DIAXNICL
8	011637-000	1	TRIM, ASM
9	005703-000	3	KNOB-SINGLE INFINITE SWITCH XBKX
	006102-000	3	SINGLE KNOB, WHITE
	007045-000	3	KNOB, SGL, ASM, INFINITE, PVD, NO.3, SSS
10	005569-000	3	KNOB-DUAL INFINITE SWITCH XBKX
	006103-000	3	DUAL KNOB, WHITE
	007046-000	3	KNOB, DUAL, ASM, INFINITE, PVD, NO.3, SSS
11	PB010304	6	KNOB BEZEL
12	PD020044	12	NO.8-32 X 1/4 PH. TR. HD. M.S.



Ref #	Part Number	Qty.	Description
1	008114-000	1	VERT536 GLASS ASM- BK
	0012104-000	1	GLASS ASSEMBLY - WH
2	006866-000	1	BRACKET, SPRT, FR
3	008146-000	1	2200 (750) W ELEMENT ASM
4	008134-000	1	4400W BRIDGE ELEMENT ASM
5	008147-000	1	1200W ELEMENT ASM
6	PE050077	6	INDICATOR LIGHT
7	009624-000	3	BRACKET, LT, SUPPORT
8	008105-000	1	SUPPORT, FR, VERT536
9	008103-000	1	MOUNT, ELEM, VERT536
10	008104-000	1	SUPPORT, BACK, VERT536
11	PD010148	11	ELEMENT STUD
12	008148-000	3	BRACKET, INDR, VERT
13	008132-000	1	2500 (1000) W ELEMENT ASM
14	008133-000	1	1500W ELEMENT ASM
15	003860-000	6	NO.10-18 X .500 FASTNR,SCR,HXWH,STL,ZPLT

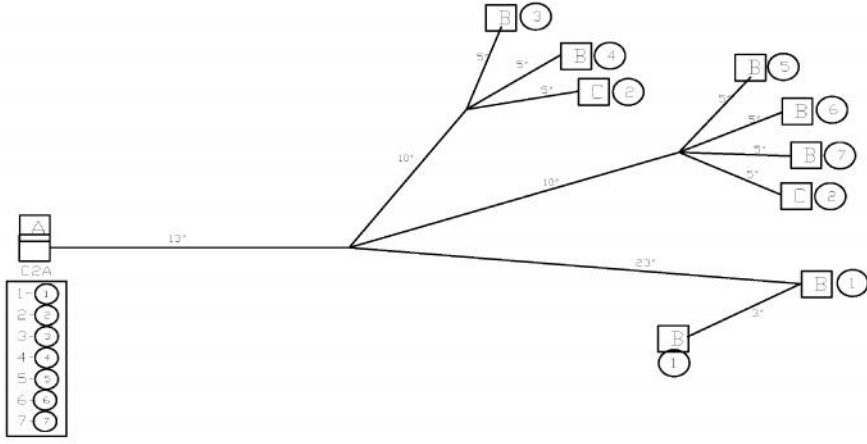


Ref #	Part Number	Qty.	Description
1	006900-000	1	ISLAND TRIM, ASM, 36 CUSTOM
2	003860-000	20	NO.10-18 X .500 FASTNR,SCR,HXWH,STL,ZPLT
3	003801-000	14	SHOULDER SCREW, NO.10
4	008100-000	1	PANEL, RH RANGETOP
5	002755-000	1	BURNER BOX SIDE, RH
6	008102-000	1	PANEL, BOT, VERT536
7	008099-000	1	PANEL, BOT, VERT536
8	008115-000	1	SHIELD, FR
9	PD020014	4	10X3/4 PH TR HD SMS
10	008101-000	1	PANEL, LH, RANGETOP
11	003481-000	1	BURNER BOX SIDE, LH
12	008105-000	1	SUPPORT, FR, VERT536
13	PE070147	1	TERMINAL BLOCK
14	008116-000	1	BRACKET, CNDT, VERT536
15	006613-000	1	CONDUIT CORD
16	008104-000	1	SUPPORT, BACK, VERT536



Ref #	Part Number	Qty.	Description
1	PD020055	6	NO.10 X 1/2 PAN PHIL. TEK. SS
2	006899-000	1	ISLAND TRIM BACK SUPT, 36 CUSTOM
3	PE030181	1	ISLAND TRIM ENDCAP RH
4	008820-000	2	ISLAND TRIM SUPT BRACKET, CUSTOM
5	006898-000	1	ISLAND TRIM, FRONT, 36 CUSTOM
6	PD020056	4	NO.10-24 X 1/2 PH.TR. M.S. SS
7	PE030182	1	ISLAND TRIM ENDCAP LH
No.	006900-000	1	ISLAND TRIM, ASM, 36 CUSTOM

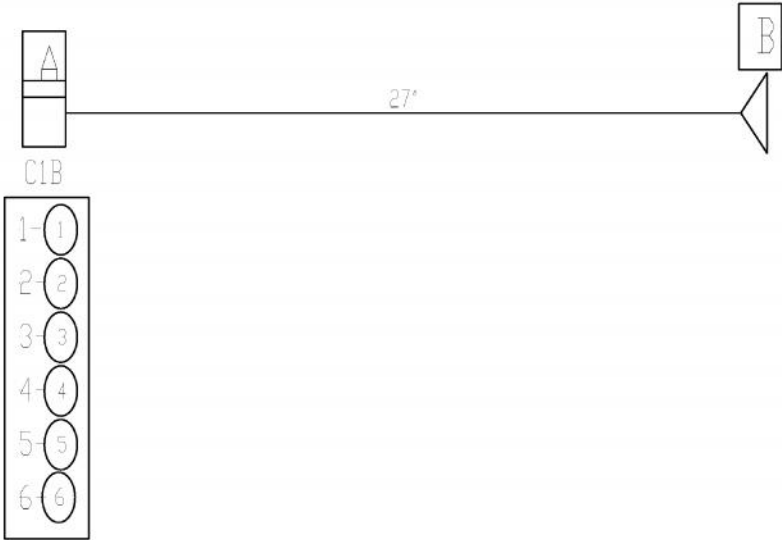
011832-000 ELEMENT HARNESS



WIRE #	GA	COLOR	TERMINALS	PRINT INDEX
1	18	BLACK	A 1-480706-0 (AMP 9 Pin)	○ WIRE NUMBER
2	18	RED	B 42219-1 (250 Steel Ferrule)	□ TERMINAL
3	18	YELLOW	C 60621-1 (187 Steel Ferrule)	
4	18	WHITE/RED		
5	18	WHITE		
6	18	VIOLET		
7	18	GREY		

Ref #	Part Number	Qty.	Description
1	011832-000	3	ELEMENT HARNESS

011833-000 POWER HARNESS

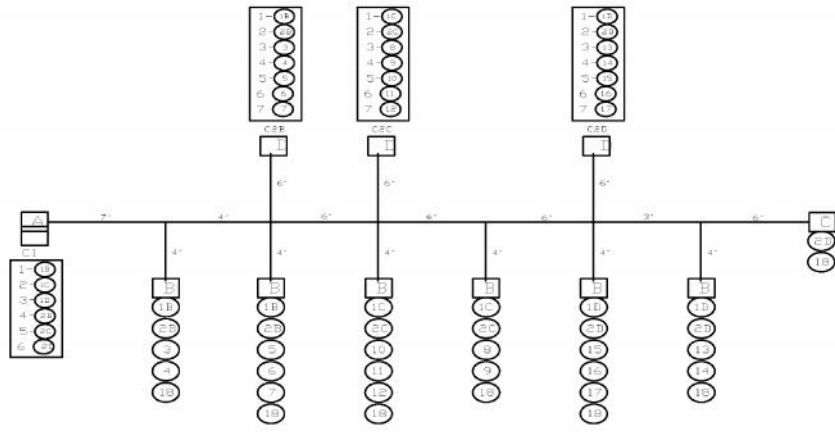


WIRE #	GA	COLOR	TERMINALS	PRINT INDEX
1	14	BLACK	A 1-480705-0 (AMP 6 pin female)	<input type="checkbox"/> WIRE NUMBER
2	14	BLACK	B 3-520140-2 (250 Ins. female)	<input type="checkbox"/> TERMINAL
3	14	BLACK		
4	14	RED		
5	14	RED		
6	14	RED		

Ref #	Part Number	Qty.	Description
1	011833-000	1	POWER HARNESS

011834-000

CONTROL PANEL HARNESS

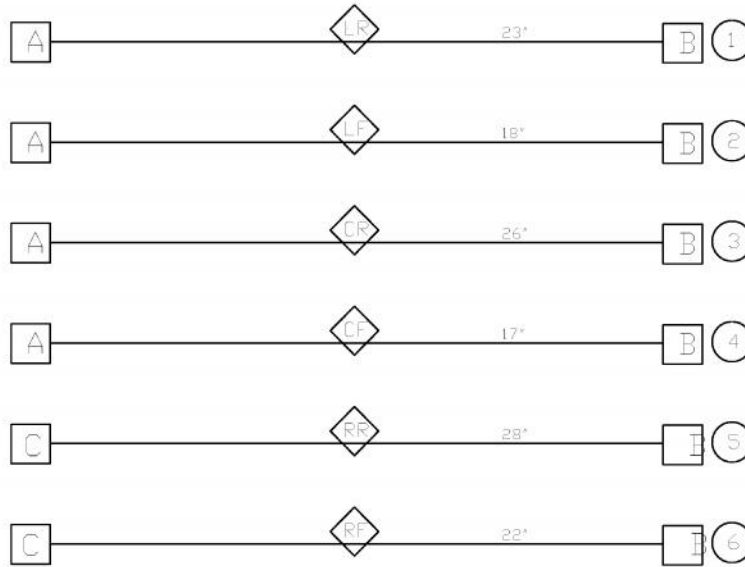


WIRE #	Gauge	COLOR
1B	WELD	BLACK
2B	WELD	RED
1C	WELD	BLACK
2C	WELD	RED
1D	WELD	BLACK
2D	WELD	RED
3	18	YELLOW
4	18	WHITE/RED
5	18	WHITE
6	18	VIOLET
7	18	GREY
8	18	YELLOW
9	18	WHITE/RED
10	18	WHITE
11	18	VIOLET
12	18	GREY
13	18	YELLOW
14	18	WHITE/RED
15	18	WHITE
16	18	VIOLET
17	18	GREY
18	18	WHITE/BLACK

TERMINALS	
A	1-480704-0 (AMP 6 pin Female)
B	2-520963-2 (AMP Insulated Female)
C	2-520961-2 (AMP 020 Ins Female)
D	1-480702-0 (AMP 9 pin Female)
PRINT INDEX	
○	WIRE NUMBER
□	TERMINAL

Ref #	Part Number	Qty.	Description
1	011834-000	1	CONTROL PANEL HARNESS

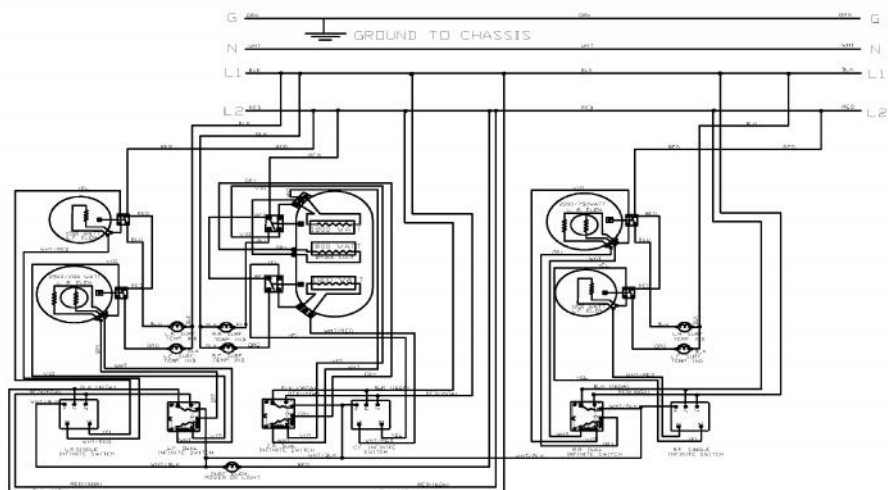
011835-000 JUMPER LIGHT HARNESS



WIRE			TERMINALS		PRINT INDEX	
1	18	GREEN	A	42219-1 (187 Steel Female)	○	WIRE NUMBER
2	18	BLUE	B	60621-1 (250 Steel Female)	□	TERMINAL
3	18	ORANGE	C	Insulated .250 Female Plug	◇	WIRE LABEL
4	18	BROWN				
5	18	WHITE/VIOLET				
6	18	YELLOW/ORANGE				

Ref #	Part Number	Qty.	Description
1	011835-000	1	JUMPER LIGHT HARNESS

VERT536-6B WIRING DIAGRAM



FOR CONNECTION TO THE FACTORY INSTALLED TERMINAL
BLOCK USE COPPER OR ALUMINUM CONDUCTORS

WARNING— THIS UNIT MUST BE GROUNDED.
SEE INSTALLATION INSTRUCTIONS FOR PROPER
GROUNDING PROCEDURES.

CAUTION—

LABEL ALL WIRES PRIOR TO DISCONNECTION WHEN
SERVICING CONTROL WIRING ERRORS CAN CAUSE
IMPROPER AND DANGEROUS OPERATION.
VERIFY PROPER OPERATION AFTER SERVICING.

010579-000
NOTE: TO BE PRINTED WITH BLACK INK
ON 11" X 17" NON ADHESIVE PAPER

010579-200
NOTE: TO BE PRINTED WITH BLACK DUPLO SD24L INK
MATERIAL, IMPACT PERMANENT ADHESIVE
60 LB OFFSET WHITE

Ref #	Part Number	Qty.	Description
1	010579-000	1	WIRING SCHEMATIC NON-ADHESIVE