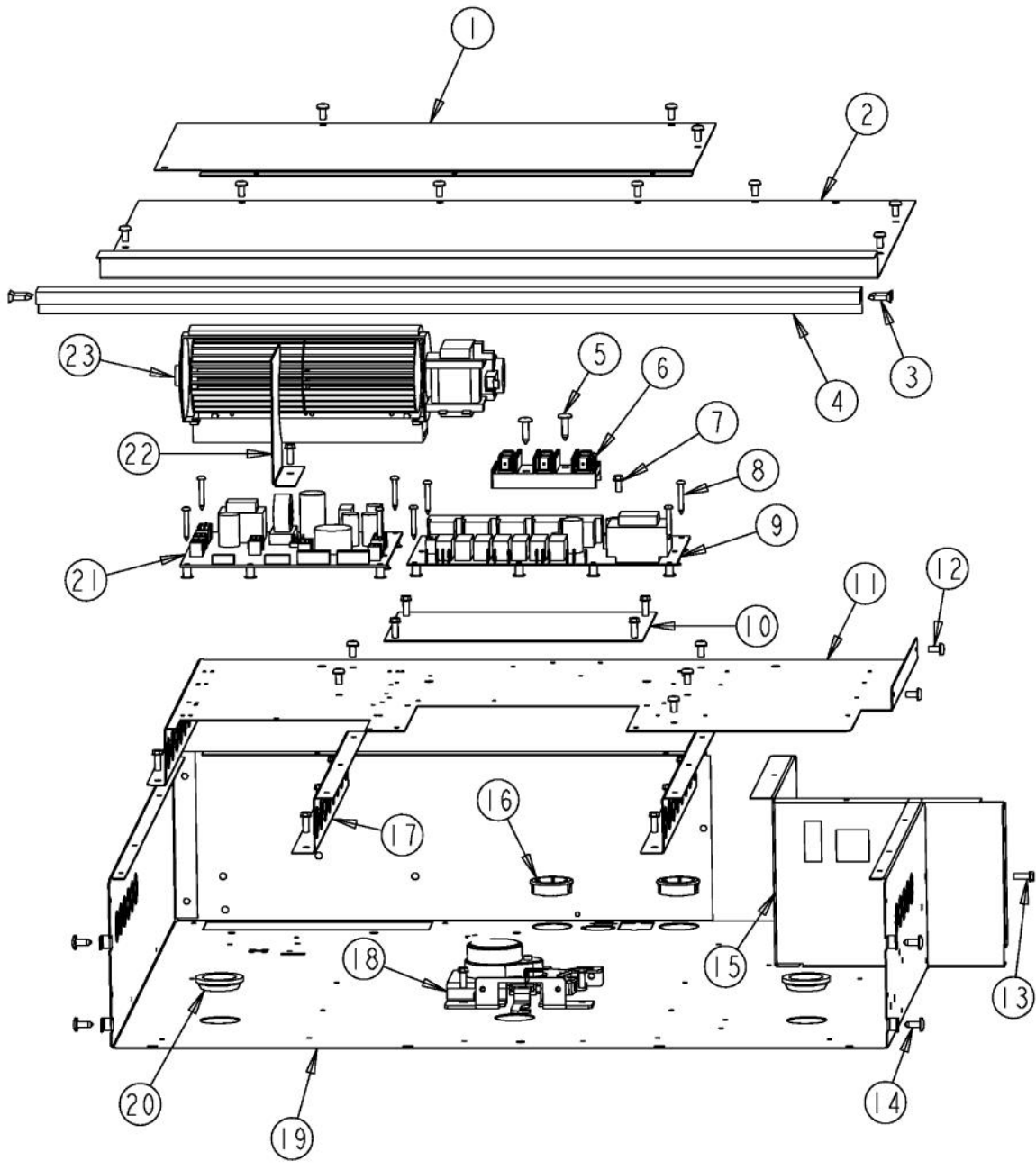
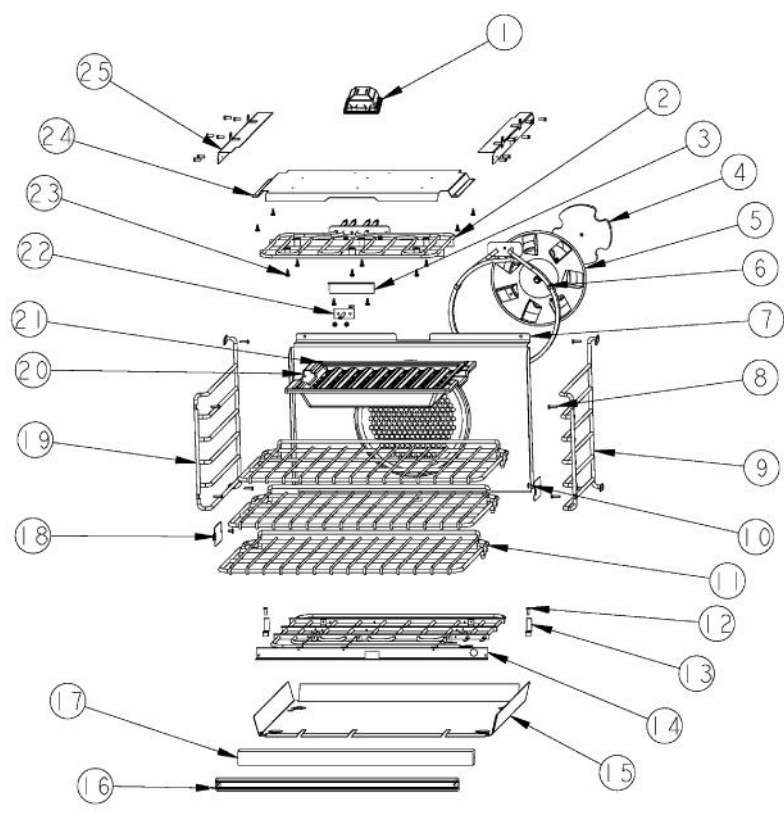


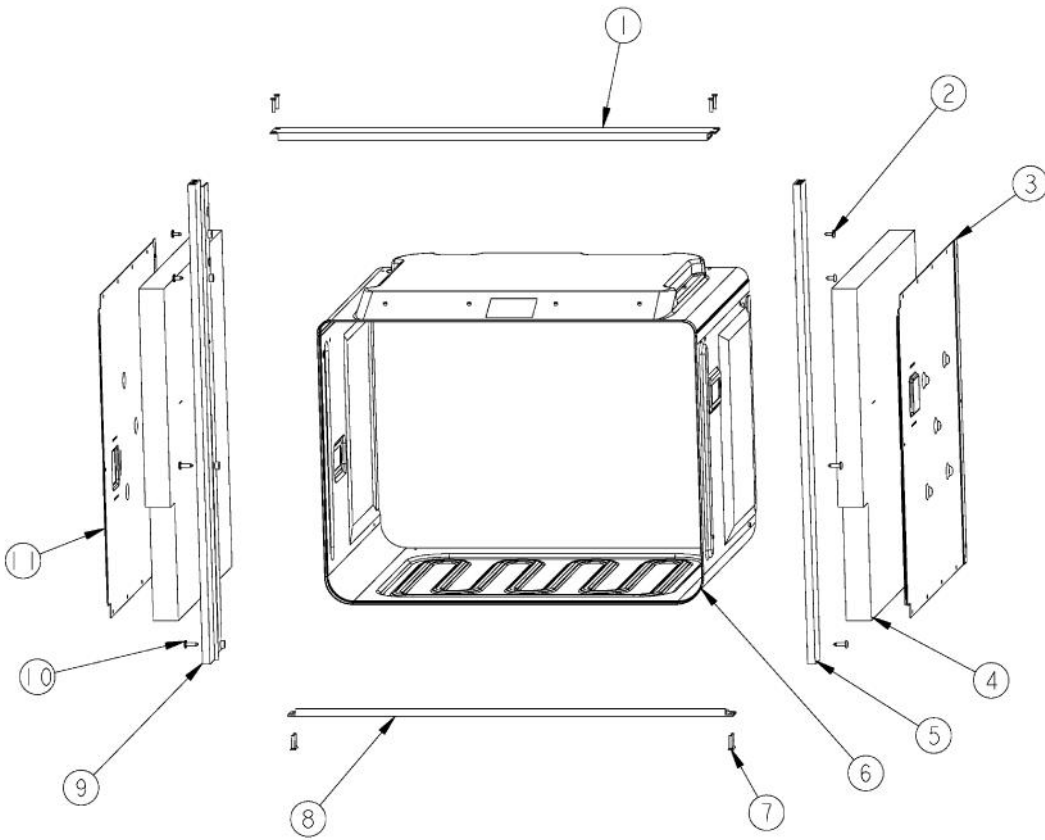
Ref #	Part Number	Qty.	Description
1	PE050247	2	EBM FAN MOTOR CAPACITOR
2	A10014028	1	2 CAPACITOR BRACKET
3	PD040164	2	5/16 INTERNAL TOOTH LOCK WASHER TYPE A
4	PD030172	2	M8 X 1.25MM NUT
5	002534-000	1	PRO-TOUCH CONTROL PANEL BRACKET
6	C90014073BK	1	27 INLET GRILL
6	C90014073WH	1	27 INLET GRILLXWHX
7	PD040004	2	GROMMET BUMPER
8	002458-000	1	27 DOUBLE TOUCH CONTROL MTG PANEL
9	000238-000	2	TOUCH CONTROL MTG BRACKET
10	002460-000	1	PROFESSIONAL SINGLE SELECT TOUCH CONTROL
11	002457-000BK	1	27`` PROFESSIONAL CONTROL PANEL - BK
11	002457-000SS	1	27`` PROFESSIONAL CONTROL PANEL - SS
11	002457-000WH	1	27`` PROFESSIONAL CONTROL PANEL - WH
12	002007-000	1	27 J-MOLD (CHROME)
13	PJ030043	1	BI-METAL THERMOSTAT (N.C.) 180 DEGREES
14	PD020013	2	TYPE AB NO.6 X 3/8 PH PAN HD. SMS
15	PD020004	11	10X3/8PH.HD.TYPE 25 REPL PD040125
16	PD020060	6	10 X 1/2 (5/16)HEX WSHER HD.(T)A



Ref #	Part Number	Qty.	Description
1	A20014047	1	27 REAR COVER
2	A20014046	1	27 FRONT COVER
3	PD020061	N/A	NO.8 X 3/4 FLAT HD TEK. SS.
4	PE040279	N/A	27 DES. TOP TRIM
5	PD020014	2	10X3/4 PH TR HD SMS
6	PE070147	1	TERMINAL BLOCK
7	PD020010	1	10 X 3/8 GREEN GROUNDING SCREW
8	PD020185	8	NO.6 X 1 PAN HEAD SCREW
9	PE050234	1	RELAY BOARD
10	A10010911	1	COVER, LATCH
11	A20010935	1	ELECTRONICS HAT
12	PD020004	24	10X3/8PH.HD.TYPE 25 REPL PD040125
13	PD020060	25	10 X 1/2 (5/16)HEX WSHER HD.(T)A
14	PD020002	4	10 X 1/2 PH.TR.HD.SMS.
15	A20010934	1	BRACKET, MODULE PAN
16	PD040152	2	SNAP BUSHING
17	A20010910	2	BRACKET, SUPPORT, ELECTRONICS HAT
18	PE050233	1	CONTROL BOARD
19	A20010933	N/A	MODULE PAN 27
20	PB070079	3	SILICONE EXTRUSION (DGSU)
21	PE050233	1	CONTROL BOARD
22	A2009667	1	REAR AIR DIVIDER
23	PE050250	1	PREMIUM BLOWER WITH HES
NI	PE050208	1	DOOR SWITCH
NI	A20012649	1	DOOR SWITCH BRACKET

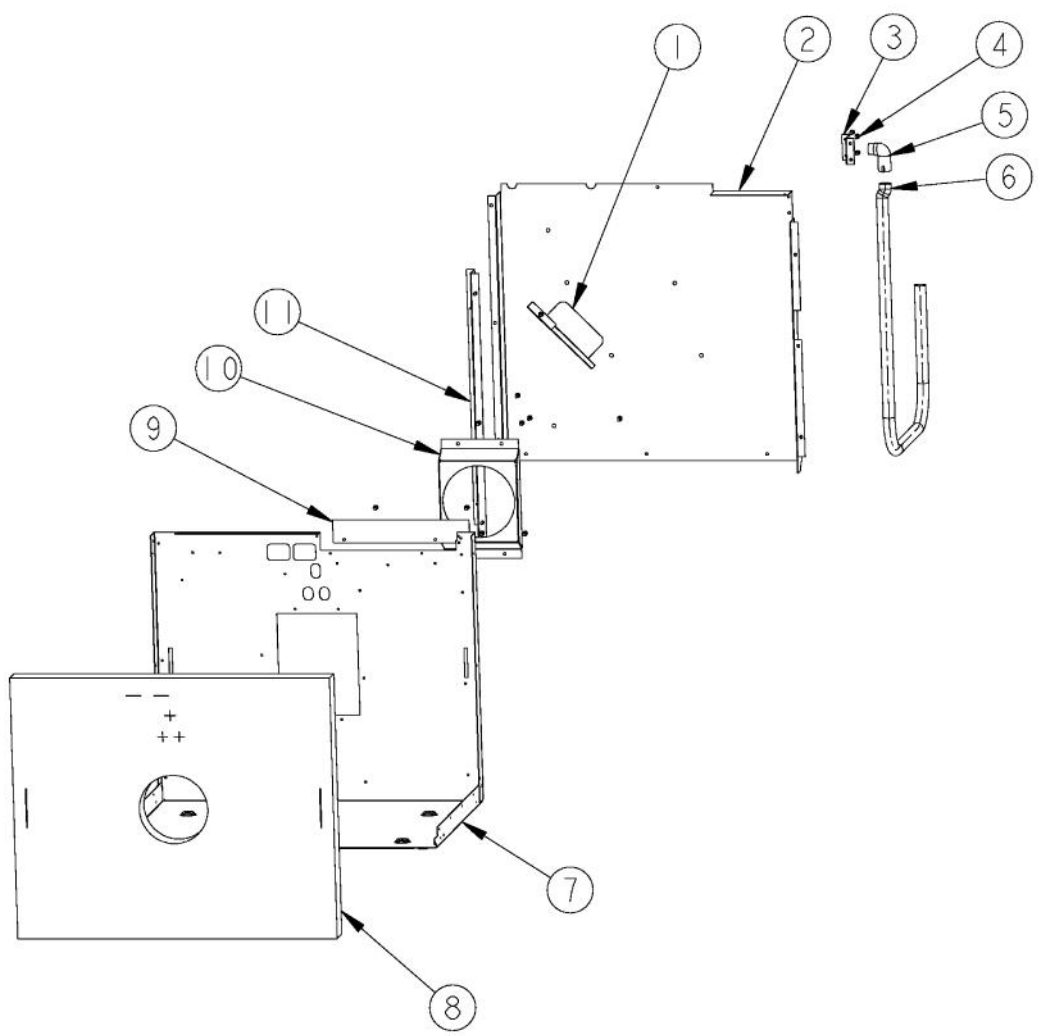


Ref #	Part Number	Qty.	Description
1	PE050239	1	HALOGEN LAMP
2	PJ010049	1	BROIL ELEMENT
3	A20014044	1	BROIL ELEMENT SHIELD
4	PB070312	1	CONVECTION MOTOR MTG. PLATE INSULATION
5	G32014020	1	CONVECTION FAN ASSY
6	PJ010047	1	CONVECTION ELEMENT
7	G91013597	1	27 BAFFLE ASSEMBLY
8	PD020232	8	NO.8 X 3/4 PH PAN HEAD TEK SCREW (BLACK OXIDE)
9	PB060103	1	RACK SUPPORT RH
10	PD020063	2	SCREW-NO.8(A) X 3/8PH WFR HD/BK OXID
11	PB060105	3	27 OVEN RACK
12	PD020060	14	10 X 1/2 (5/16)HEX WSHR HD.(T)A
13	A2009696	2	HOLDER, BAKE ELEMENT
14	PJ010048	1	BAKE ELEMENT
15	A20010932	1	ELEMENT, MTG TRAY
16	E9109655	1	BAKE TRAY COVER
17	PB070309	1	BAKE ELEMENT INSULATION
18	E91012614	2	LIGHT HOLE COVER
19	PB060104	1	RACK SUPPORT LH
20	E9107933	1	BROILER PAN
21	E9107934	1	BROILER PAN INSERT
22	PE050206	1	RTD THERMOSTAT PROBE
23	PD020055	16	NO.10 X 1/2 PAN PHIL. TEK. SS
24	A20014021	1	REFLECTOR, BROIL
25	A2009641	2	BRKT, TOP WRAPPER

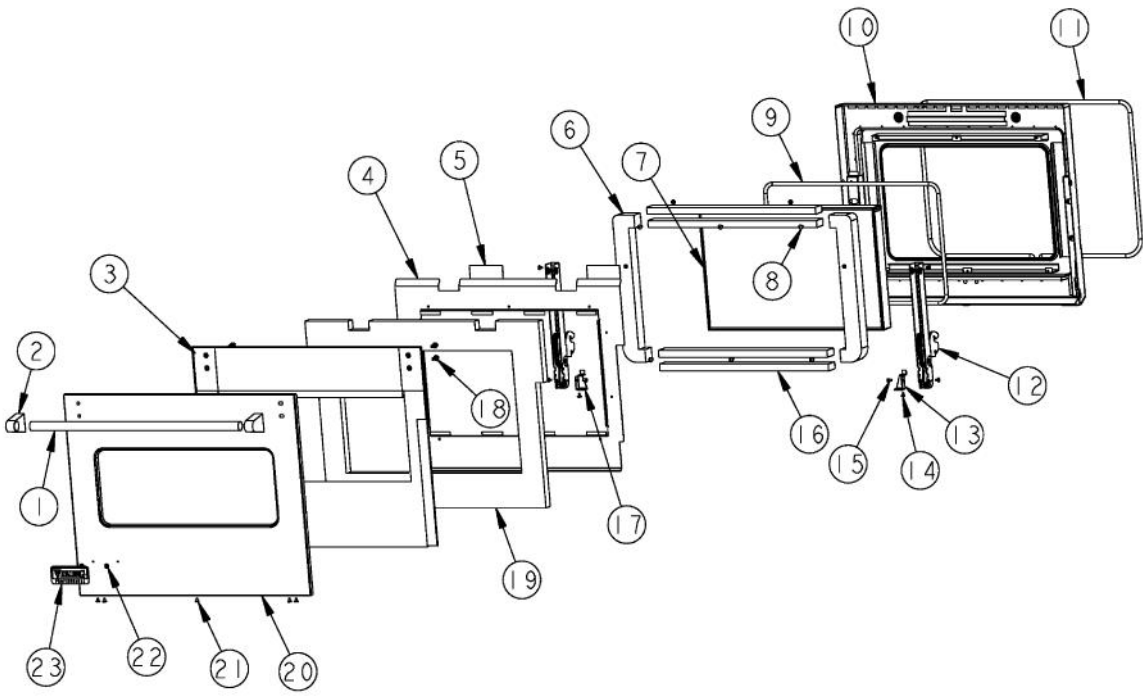


Ref #	Part Number	Qty.	Description
1	PE040271	1	27 PROF. TOP TRIM
2	PD020002	4	10 X 1/2 PH.TR.HD.SMS.
3	A2009622	1	BRKT, TOP WRAPPER, RIGHT
4	PB070302	2	SIDE INSULATION
5	PE040275	1	PROF. SINGLE SIDE TRIM RH
6	NOT REPLACEABLE	N/A	OVEN CAVITY (NOT REPLACEABLE PART)
7	PD020170	8	NO.6-32 X 1/2 PHILLIPS C.S. TYPE F SCREW
8	PE040272	1	27 PROF. BOTTOM TRIM
9	PE040276	1	PROF. SINGLE SIDE TRIM LH
10	PD020014	4	10X3/4 PH TR HD SMS
11	A20012650	1	BRKT, TOP WRAPPER LEFT

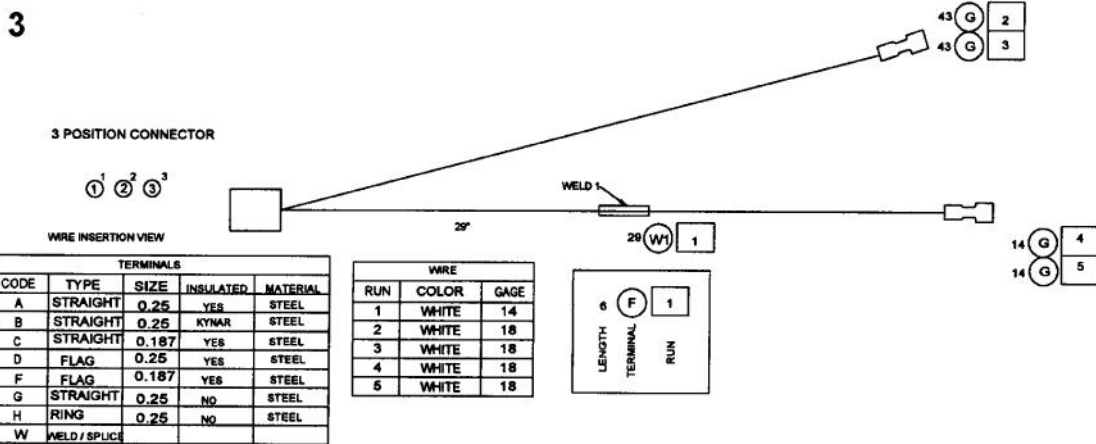
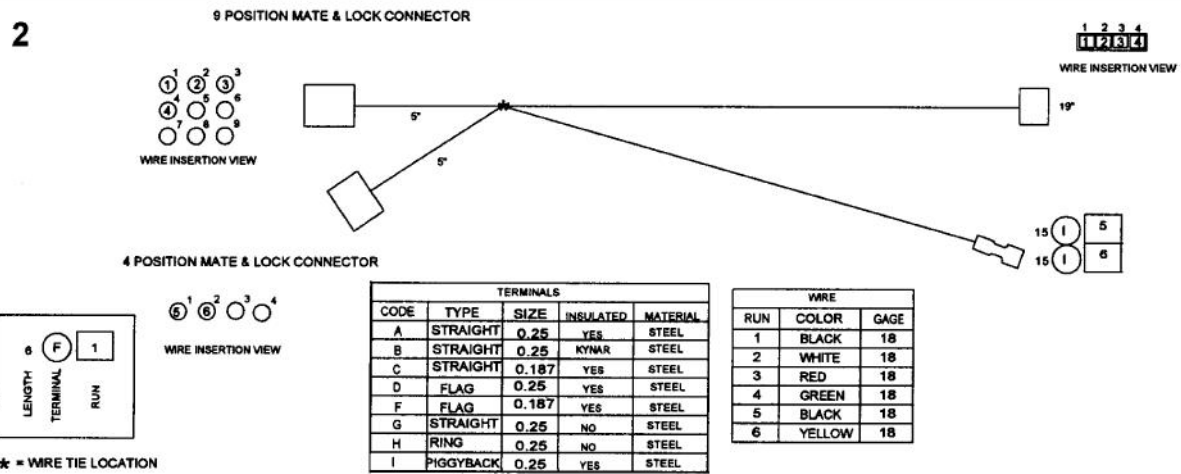
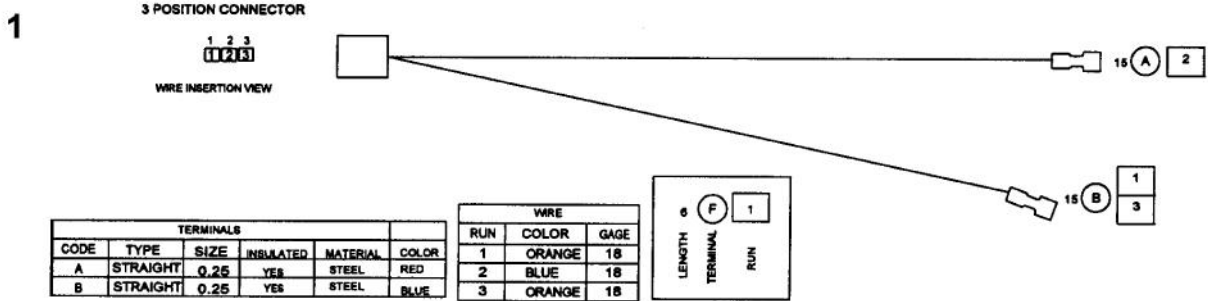




Ref #	Part Number	Qty.	Description
1	A20014052	1	WIRE SHIELD
2	A20010937	1	PANEL, REAR 27
3	A2009671	1	BRACKET, POWER CABLE
4	PD020060	22	10 X 1/2 (5/16)HEX WSHER HD.(T)A
5	PB040070	1	CONDUIT FITTING (90 DEG)
6	PB020071	1	CONDUIT - FLEXIBLE (48)
7	NOT REPLACEABLE	N/A	OVEN CAVITY (NOT REPLACEABLE PART)
8	PB070301	1	27 BACK INSULATION
9	A10010907	1	COVER, BLOWER
10	A2009697	2	BRACKET, CONVECTION INSULATION
11	A2009666	1	AIR CHANNEL



Ref #	Part Number	Qty.	Description
1	PE030178	1	27 PROF. DOOR HANDLE
1	PE030178PVD	1	27 PROF. DOOR HANDLE XPVDX
2	PE030001	2	BRACKET, DOOR, HANDLE
2	PE030001PVD	2	END CAP DOOR HANDLE XBR
3	001501-000	1	PRO 27`` INSULATION RETAINER KIT (AFTER 7-17-06)
4	A20010949	1	PANEL, INSULATION, INNNER DOOR
5	PB070336	1	DOOR BRACKET INSULATION
6	PB070271	2	DOOR PLUG INSULATION
7	PE060093	1	27 WINDOW PACK
8	PD020002	8	10 X 1/2 PH.TR.HD.SMS.
9	000594-000	1	BLACK FIBERGLASS ROPE 3/8
10	G91010942	1	DOOR LINER ASSEMBLY
11	PB070245	1	27 DOOR GASKET
12	PC020248	2	DOOR HINGE
13	A20012640	1	HINGE SUPPORT RH
14	PD020063	2	SCREW-NO.8(A) X 3/8PH WFR HD/BK OXID
15	PD020004	6	10X3/8PH.HD.TYPE 25 REPL PD040125
16	PB070273	2	27 WINDOW PACK INSULATION
17	A20012641	1	HINGE SUPPORT LH
18	PD020186	4	1/4-20 X 3/4 HEX WASHER HEAD MS
19	PB070276	1	27 DOOR INSULATION
20	PS500014BK	1	27 PRO DOOR SKIN SERVICE KIT W/LOGO AFTER 07/17/06 -...
20	PS500014BKBR	1	27 PRO DOOR SKIN SERVICE KIT W/LOGO AFTER 07/17/06 -...
20	PS500014SS	1	27 PRO DOOR SKIN SERVICE KIT W/LOGO AFTER 07/17/06 -...
20	PS500014SSBR	1	27 PRO DOOR SKIN SERVICE KIT W/LOGO AFTER 07/17/06-...
20	PS500014WH	1	27 PRO DOOR SKIN SERVICE KIT W/LOGO AFTER 07/17/06 -...
20	PS500014WHBR	1	27 PRO DOOR SKIN SERVICE KIT W/LOGO AFTER 07/17/06 -...
21	PD020032	5	SRW-8(A)X3/8PH.WFR HD 7/16DIAXNICL
22	PD030006	2	CAPPED WASHER PAL NUT
23	PE010016	1	NAMEPLATE, LOGO, PRO
23	PE010017	1	LOGO (VGSO,VEDO,VGDO,VUD) XWH/CHR
23	PE010079	1	4.5 LOGO/VIKING PROF, BK/BR
23	PE010080	1	4.5 LOGO/VIKING PROF XWH/BR
NI	G32012719BK	1	27 DOOR ASSY W/LOGO XBKX
NI	G32012719BKBR	1	27 DOOR ASSY W/LOGO XBKBRX
NI	G32012719SS	1	27 DOOR ASSY W/LOGO
NI	G32012719SSBR	1	27 DOOR ASSY W/LOGO XSSBRX
NI	G32012719WH	1	27 DOOR ASSY W/LOGO XWHX
NI	G32012719WHBR	1	27 DOOR ASSY W/LOGO XWHBRX
NI	017736-000	1	WINDOW PACK INSULATION KIT



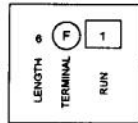
Ref #	Part Number	Qty.	Description
1	PE070743	1	SINGLE CLOCK HARNESS
2	PE070754	1	TEST HARNESS SINGLE
3	PE070739	1	BAKE ELEMENT HARNESS
NI	G4005496	1	SUPPLY WIRE - 100 BK 10GA SO/DO
NI	G4005497	1	SUPPLY WIRE - 100 GREEN 10GA SO/DO
NI	G4005499	1	SUPPLY WIRE - 100 RED 10GA SO/DO
NI	G4005494	1	SUPPLY WIRE - 75 WH 12 GA SO/DO

1

3 POSITION CONNECTOR

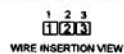


WIRE		
RUN	COLOR	GAGE
1	WHITE	18
2	BLACK	18
3	WHITE	18



\* = WIRE TIE LOCATION

3 POSITION CONNECTOR

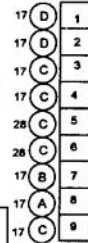
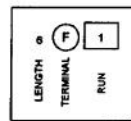


2

9 POSITION MATE & LOCK CONNECTOR

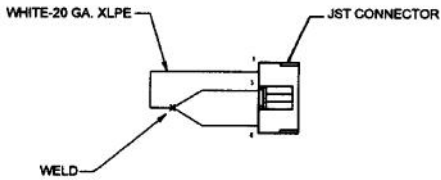


QTY.	KEY	TERMINAL DESCRIPTION	QTY.	KEY	TERMINAL DESCRIPTION
1	A	.250 ULTRA FAST RECEPTACLE TEMPERATURE RATING - 125°C	6	C	.187 x .020 ULTRA FAST RECEPTACLE TEMPERATURE RATING - 125°C
1	B	.250 STEEL RECEPTACLE OPERATING TEMP.: -55°C TO 175°C	2	D	.250 STEEL FLAG RECEPTACLE OPERATING TEMP.: -55°C TO 175°C



WIRE		
RUN	COLOR	GAGE
1	BLACK	18
2	GREY	18
3	BLACK	18
4	WHITE	18
5	BROWN	18
6	PURPLE	18
7	GREEN	18
8	ORANGE	18
9	BLUE	18
10	GREEN	18

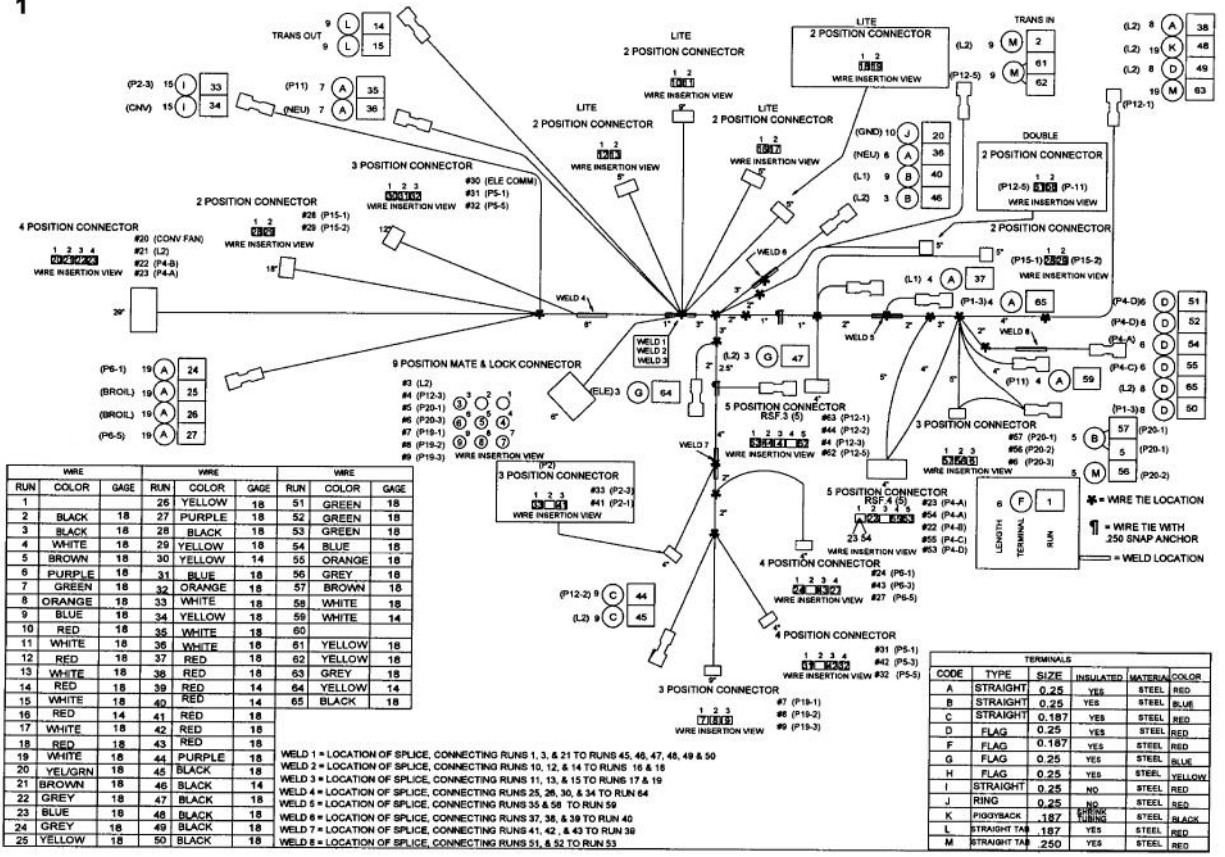
3



Ref #	Part Number	Qty.	Description
1	PE070738	1	T/STAT-SEL HARNESS
2	PE070733	1	UPPER LATCH HARNESS
3	PE070734	1	SINGLE OVEN HEADER



1



WIRE	WIRE	WIRE	WIRE	WIRE	WIRE	WIRE	WIRE	
RUN	COLOR	GAGE	RUN	COLOR	GAGE	RUN	COLOR	GAGE
1	BLACK	18	26	YELLOW	18	51	GREEN	18
2	BLACK	18	27	PURPLE	18	52	GREEN	18
3	BLACK	18	28	BLACK	18	53	GREEN	18
4	WHITE	18	29	YELLOW	18	54	BLUE	18
5	BROWN	18	30	YELLOW	14	55	ORANGE	18
6	PURPLE	18	31	BLUE	18	56	GREY	18
7	GREEN	18	32	ORANGE	18	57	BROWN	18
8	ORANGE	18	33	WHITE	18	58	WHITE	18
9	BLUE	18	34	YELLOW	18	59	WHITE	14
10	RED	18	35	WHITE	18	60		
11	WHITE	18	36	WHITE	18	61	YELLOW	18
12	RED	18	37	RED	18	62	YELLOW	18
13	WHITE	18	38	RED	18	63	GREY	18
14	RED	18	39	RED	14	64	YELLOW	14
15	WHITE	18	40	RED	14	65	BLACK	18
16	RED	14	41	RED	18			
17	WHITE	18	42	RED	18			
18	RED	18	43	RED	18			
19	WHITE	18	44	PURPLE	18			
20	YELLOW	18	45	BLACK	18			
21	BROWN	18	46	BLACK	14			
22	GREY	18	47	BLACK	18			
23	BLUE	18	48	BLACK	18			
24	GREY	18	49	BLACK	18			
25	YELLOW	18	50	BLACK	18			

WELD 1 = LOCATION OF SPLICE, CONNECTING RUNS 1, 3, & 21 TO RUNS 45, 46, 47, 48, 49 & 50  
 WELD 2 = LOCATION OF SPLICE, CONNECTING RUNS 10, 12, & 14 TO RUNS 18 & 19  
 WELD 3 = LOCATION OF SPLICE, CONNECTING RUNS 11, 13, & 15 TO RUNS 17 & 19  
 WELD 4 = LOCATION OF SPLICE, CONNECTING RUNS 25, 26, 30, & 34 TO RUN 64  
 WELD 5 = LOCATION OF SPLICE, CONNECTING RUNS 35 & 58 TO RUN 59  
 WELD 6 = LOCATION OF SPLICE, CONNECTING RUNS 37, 38, & 39 TO RUN 40  
 WELD 7 = LOCATION OF SPLICE, CONNECTING RUNS 41, 42, & 43 TO RUN 38  
 WELD 8 = LOCATION OF SPLICE, CONNECTING RUNS 51, & 52 TO RUN 53

CODE	TYPE	SIZE	INSULATED	MATERIAL	COLOR
A	STRAIGHT	0.25	YES	STEEL	RED
B	STRAIGHT	0.25	YES	STEEL	BLUE
C	STRAIGHT	0.187	YES	STEEL	RED
D	FLAG	0.25	YES	STEEL	RED
F	FLAG	0.187	YES	STEEL	RED
G	FLAG	0.25	YES	STEEL	BLUE
H	FLAG	0.25	YES	STEEL	YELLOW
I	STRAIGHT	0.25	NO	STEEL	RED
J	RING	0.25	NO	STEEL	RED
K	PIEDBACK	.187	NO	STEEL	BLACK
L	STRAIGHT TAB	.187	YES	STEEL	RED
M	STRAIGHT TAB	.250	YES	STEEL	RED

Ref #	Part Number	Qty.	Description
1	PE070742	1	UPPER CONTROL HARNESS

*No Image  
Available*

Ref #	Part Number	Qty.	Description
1	PE070845	1	TOUCH CONTROL KEYBOARD HARNESS

*No Image  
Available*

Ref #	Part Number	Qty.	Description
1	PE070845	1	TOUCH CONTROL KEYBOARD HARNESS
2	PE070846	1	TOUCH CONTROL DISPLAY HARNESS