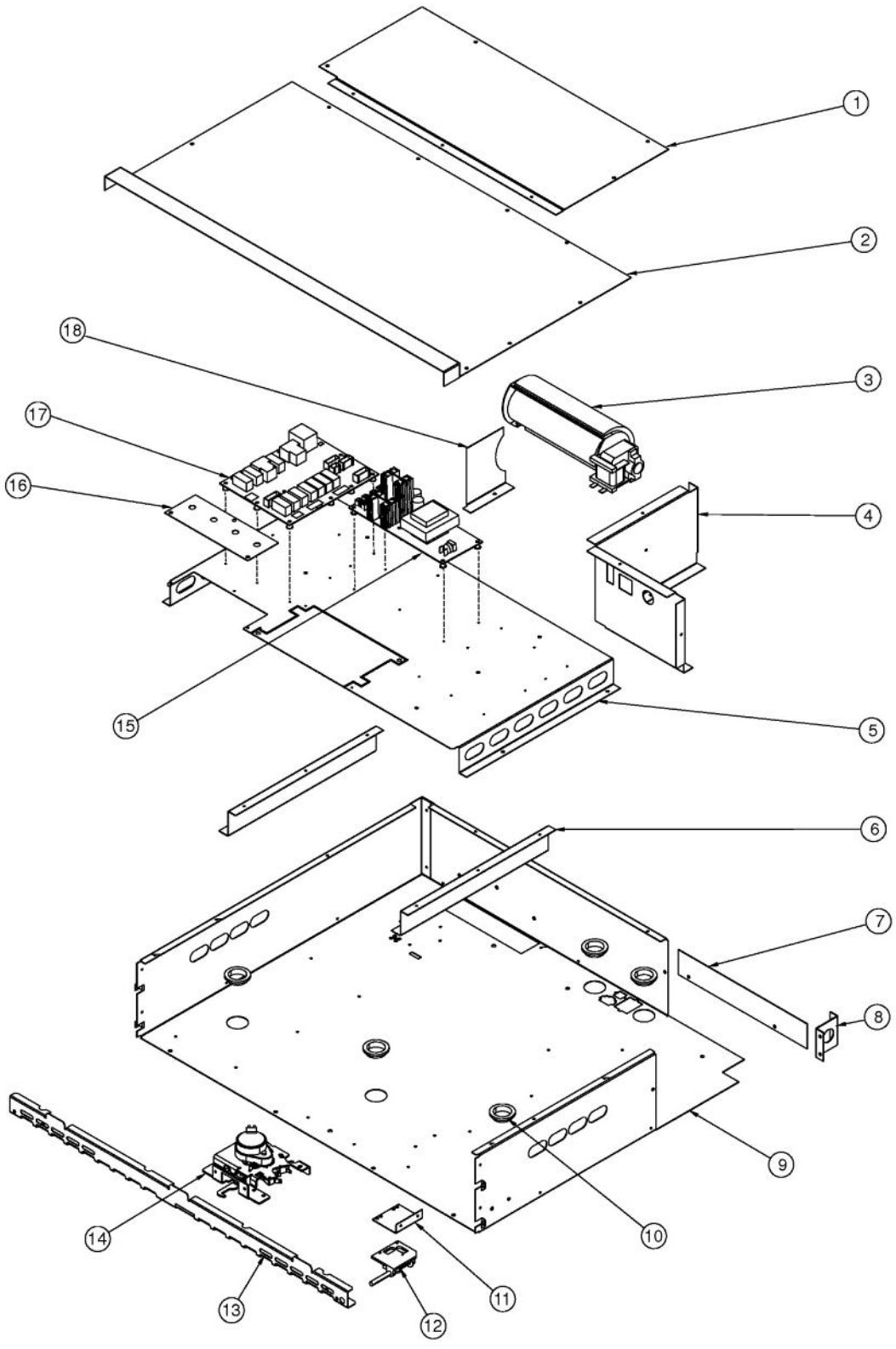
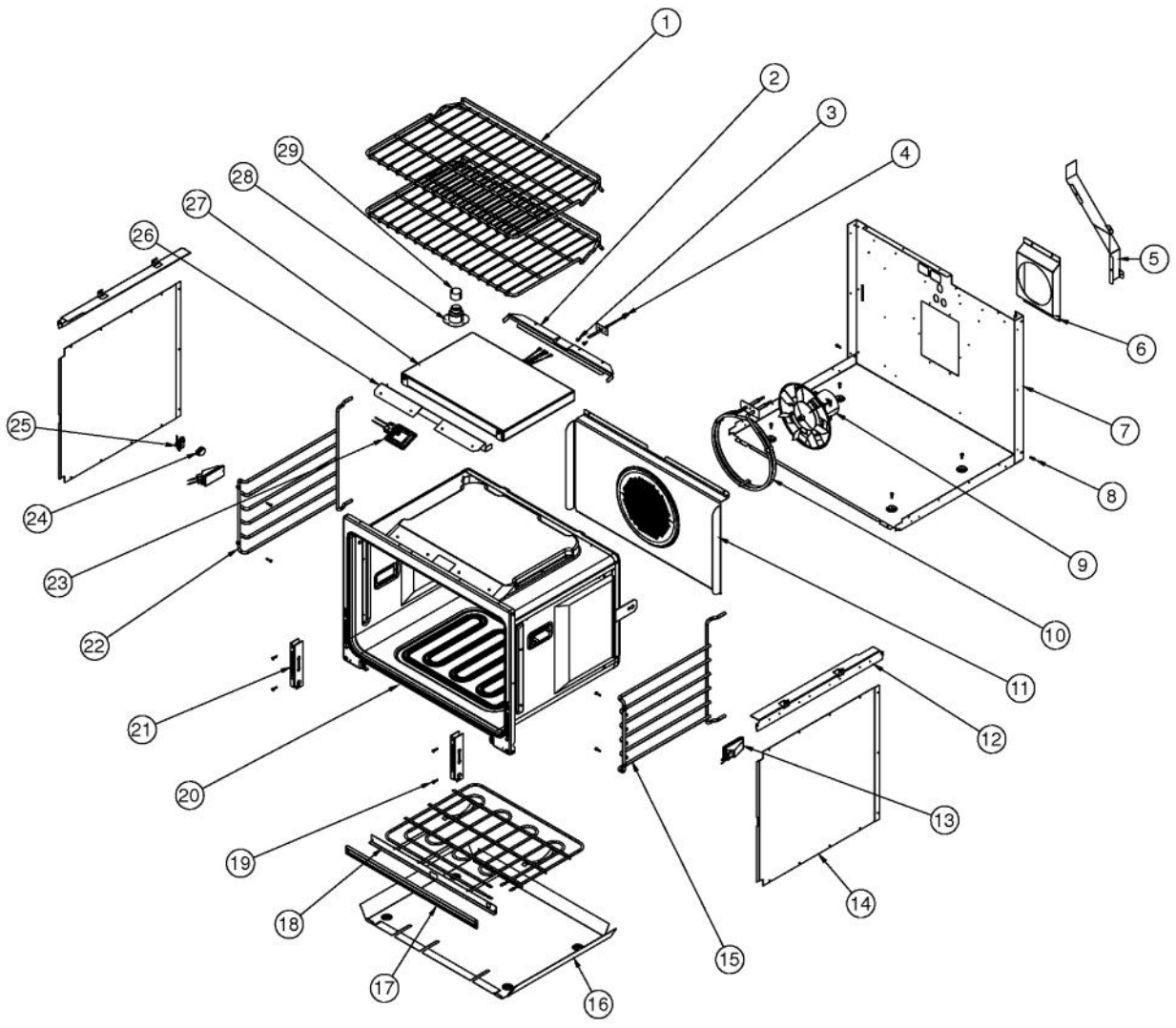


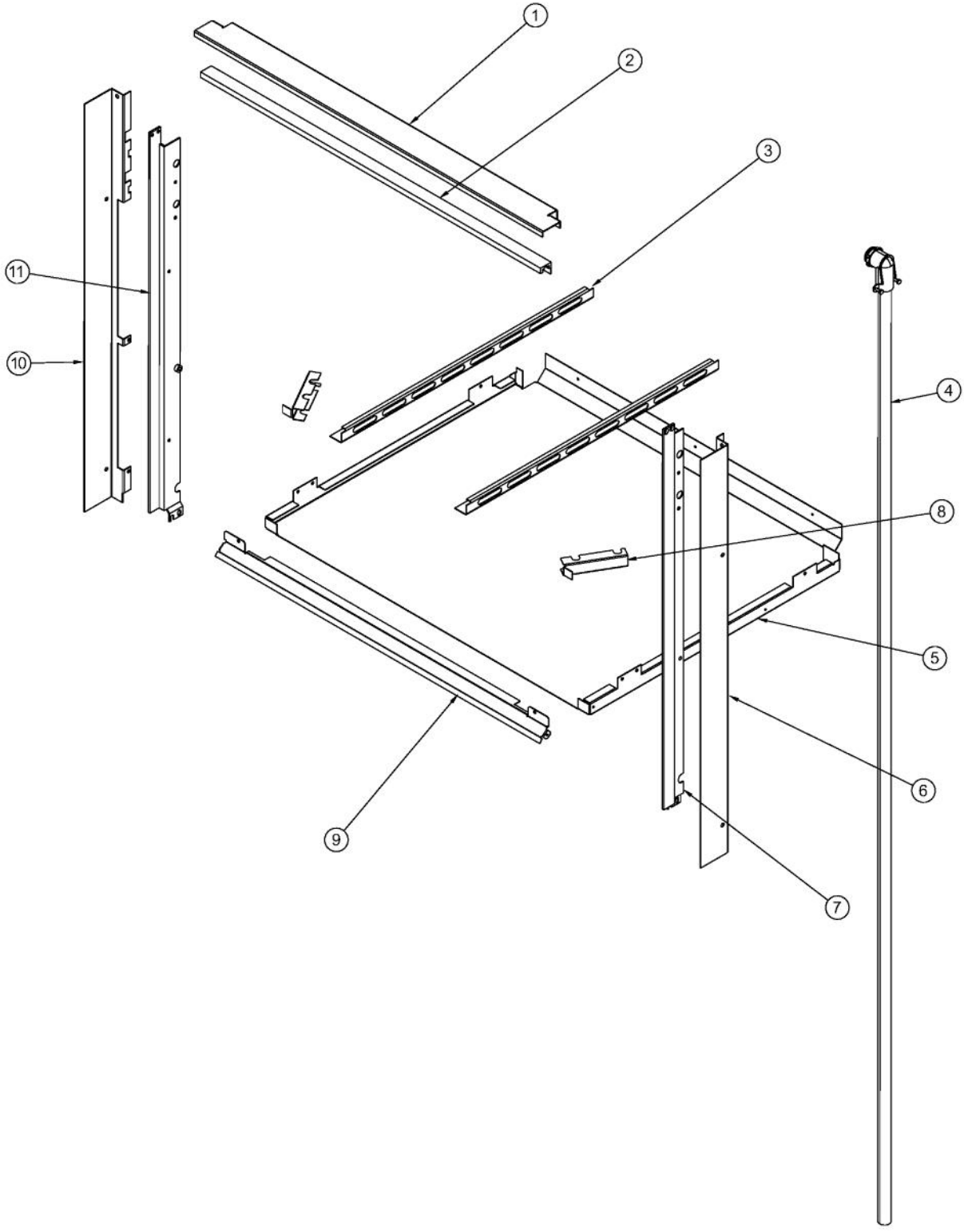
Ref #	Part Number	Qty.	Description
1	015662-000	2	KNOB, OVEN ASM, SS
NI	PB010314	1	TEST DESIGNER BIT GENERATOR KNOB
NI	PB010315	4	DES. CLOCK BUTTON
2	PA010093	1	DESIGNER OVEN LT SWITCH KNOB
3	015043-000	2	INDICATOR, LIGHT, BLUE LED
4	PD020004	8	10X3/8PH.HD.TYPE 25 REPL PD040125
5	PJ030033	1	SELECTOR (10 POS)
6	020619-000	1	DISPLAY,CLCK,TOD3
7	024810-000	1	BRACKET, LIGHT SW
8	PE050076	1	DESIGNER OVEN LIGHT SWITCH
9	024774-000	1	PANEL, CONTROL MOUNTING
10	PD020032	6	SRW-8(A)X3/8PH.WFR HD 7/16DIAAXNICL
11	025058-000	2	BRACKET, CLOCK
12	PJ030035	1	THERMOSTAT
13	024767-2294	1	CONTROL PANEL, 30 SINGLE SELECT W/GRAPHICS
14	PB010304	2	KNOB BEZEL
14	PB010304PVD	2	RESTYLE KNOB BEZEL, BR
15	PD020261	4	NO.8-32X1/2 PH PANHEAD MACH. SCREW



Ref #	Part Number	Qty.	Description
1	A20014049	1	30 REAR COVER
2	025057-000	1	PANEL,CVR, TOP, FR, 30
3	PE050250	1	PREMIUM BLOWER WITH HES BEFORE 2/4/13
3	018607-000	1	FAN,BLO, 220-240V 50/60HZ ASSY AFTER 2/4/13
4	A20010934	1	BRACKET, MODULE PAN
5	023367-000	1	30 MTG PANEL, CONTROL
6	A20010910	2	BRACKET, SUPPORT, ELECTRONICS HAT
7	A10010907	1	COVER, BLOWER
8	A2009671	1	BRACKET, POWER CABLE
9	UNSERVISEABLE	1	MODULE PAN, TOP 30
10	PB070079	5	SILICONE EXTRUSION (DGSU)
11	A20012649	1	DOOR SWITCH BRACKET
12	PE050208	1	DOOR SWITCH
13	C20014072	1	30 INLET GRILL
14	013250-000	1	LATCH,DOOR,ASM,240V,GRIDDLE LOCKOUT
15	A10014028	1	2 CAPACITOR BRACKET
16	015201-000	1	LINEAR POWER SUPPLY
17	014000-000	1	EOC4-CONTROL BOARD
18	A2009667	1	REAR AIR DIVIDER

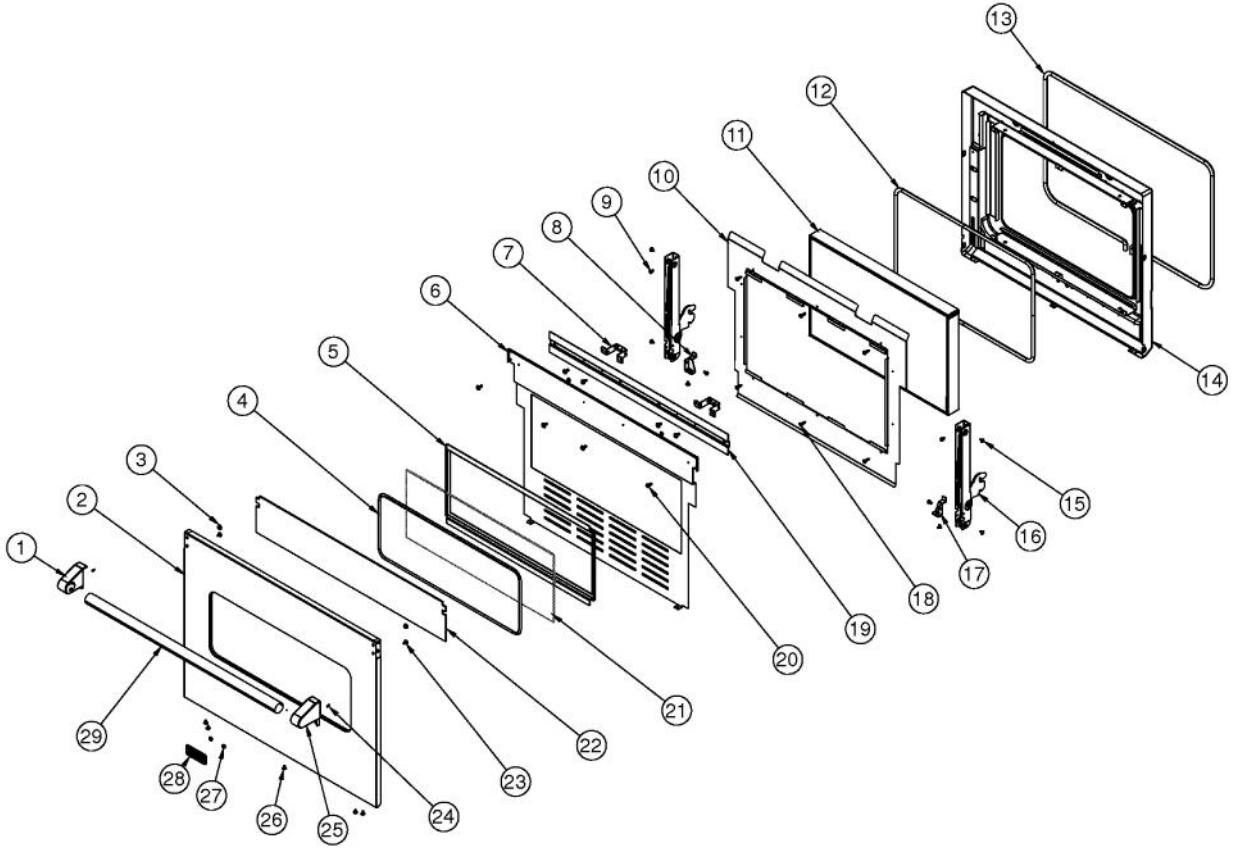


Ref #	Part Number	Qty.	Description
1	PB060107	2	30 OVEN RACK
2	B20014051	1	PREMIERE BROIL ELEMENT BRACKET REAR
3	PD020055	2	NO.10 X 1/2 PAN PHIL. TEK. SS
4	PE050206	1	RTD THERMOSTAT PROBE
5	A21010918	1	BRACKET, AIR, CONVECTION MOTOR
6	A2009697	1	BRACKET, CONVECTION INSULATION
7	UNSERVISEABLE	1	MODULE PAN, TOP 30
8	PD020060	6	10 X 1/2 (5/16)HEX WSHR HD.(T)A
9	G32014020	1	CONVECTION FAN ASSY
10	PJ010047	1	CONVECTION ELEMENT
11	G91013598	1	30 BAFFLE ASSEMBLY
12	A2009641	2	BRKT, TOP WRAPPER
13	005311-000	2	120V/25W HALOGEN LIGHT
14	014137-000	2	WRAPPER, OVEN SIDE
15	003039-000	1	RACK GUIDE ASSY, RH
16	A2009612	1	ELEMENT, MTG TRAY
17	E2109655	1	COVER, BAKE TRAY
18	PJ010048	1	BAKE ELEMENT
19	PD020232	8	NO.8 X 3/4 PH PAN HEAD TEK SCREW (BLACK OXIDE)
20	UNSERVISEABLE	1	MODULE PAN, TOP 30
21	PC020221	2	HINGE POCKET RECEIVER MANSFIELD RH
22	003040-000	1	RACK GUIDE ASSY, LH
23	005312-000	1	BJB SLIMLINE 40 W BULB
24	PM010160	1	MEAT PROBE JACK COVER
25	PE050115	1	MEAT PROBE JACK
26	B20014050	1	PREMIERE BROIL ELEMENT BRACKET FRONT
27	PJ010049	1	BROIL ELEMENT
28	PM010014	1	SMOKE ELIMINATOR (VDSC)
29	PB020275	1	VENT TUBE



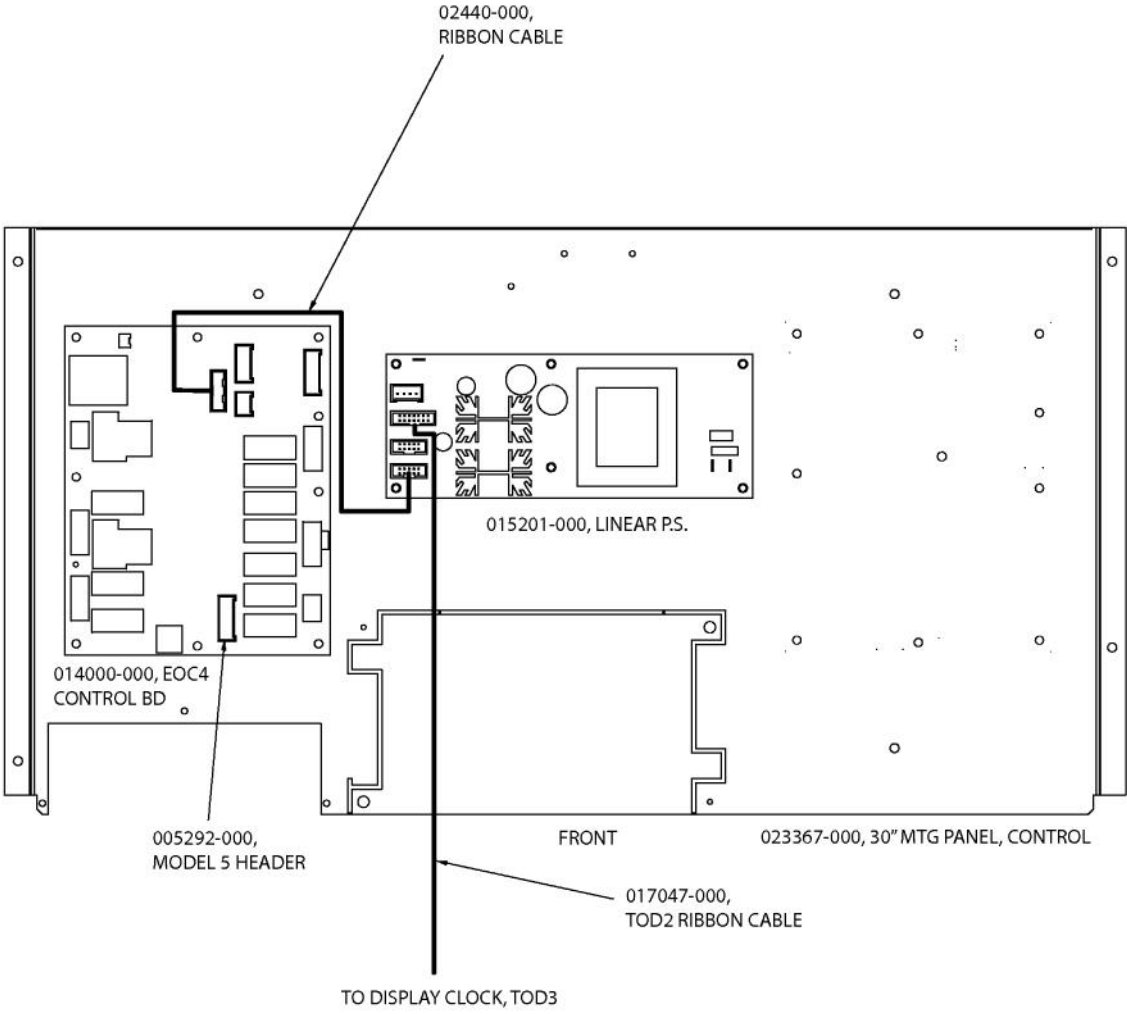
Ref #	Part Number	Qty.	Description
1	024268-000	1	TRIM, TOP, FLUSH, 30
2	024253-000	1	TRIM, TOP, 30
3	A20012740	2	STIFFENER, BASE PAN
4	001420-000	1	48 CONDUIT ASSY
5	UN-SERVISEABLE	1	BASE PAN 30
6	025521-000	1	TRIM, R, FLUSH
7	024254-000	1	TRIM,EXTD,RH, SGL
8	A20012739	2	BASE PAN CORNER BRACE
9	025063-002	1	DEFLECTOR, VENT, LOWER, 30, (BK)
10	025522-000	1	TRIM, L, FLUSH
11	024255-000	1	TRIM,EXTD,LH, SGL





Ref #	Part Number	Qty.	Description
1	025186-000	1	ENDCAP, DOOR HDL, ASM, LH
1	025186-100	1	ENDCAP,DOOR HDL,ASM,LH (BR)
2	023992-000	1	PANEL,DOOR,W LOGO 30, SS
3	004907-000	2	STEEL FINISHING PLUG, NICKEL PLTD 25/64 HOLE
4	PE060105	1	30 J-MOLD (CHROME) NOT FIELD REPLACEABLE
5	L20014077	1	30 WINDOW HOLDER NOT FIELD REPLACEABLE
6	023994-000	1	PANEL,INSL
7	024005-000	2	BRACKET
8	A20012641	1	HINGE SUPPORT LH
9	PD020004	4	10X3/8PH.HD.TYPE 25 REPL PD040125
10	A2009632	1	PANEL, INULATION, INNER DOOR
11	PE060094	1	30 WINDOW PACK
12	000594-066	1	BLACK FIBERGLASS ROPE 3/8
13	PB070246	1	30 DOOR GASKET
14	G9109625	1	DOOR LINER PORC.
15	PD020063	8	SCREW-NO.8(A) X 3/8PH WFR HD/BK OXID
16	023799-000	2	HINGE, MANSFIELD, RED
17	A20012640	1	HINGE SUPPORT RH
18	PD020014	6	10X3/4 PH TR HD SMS
19	002732-000	1	DOOR SKIN MOUNTING BRACKET ASSY
20	PD020033	8	SRW-NO.10-24X1/2T(23)PH.WFR HD (NKL)
21	PE060090	1	30 PROF. OUTER DOOR GLASS
22	025264-000	1	PANEL,INSL,30, DOOR
23	PD020073	2	SRW NO.10 X 24 X 3/8 WAFER HD TYPE23
24	003650-000	2	SET SCREW
25	025187-000	1	ENDCAP, DOOR HDL, ASM, RH
25	025187-100	1	ENDCAP,DOOR HDL,ASM,RH (BR)
26	PD020032	5	SRW-8(A)X3/8PH.WFR HD 7/16DIAXNICL
27	PD030006	2	CAPPED WASHER PAL NUT
28	PE010142	1	3 LOGO XBKXXCHROME
28	PE010143	1	3 LOGO BK/BR
28	PE010145	1	LOGO - WH / BR
29	023998-000	1	HANDLE, DOOR, SST, 30
NI	023995-000	1	30 PRO DOOR PANEL ASM, W/LOGO, SS
NI	025510-002	1	30 PRO DOOR PANEL ASM W/LOGO, BK
NI	025510-006	1	30 PRO DOOR PANEL ASM W/LOGO, WH
NI	023995-100	1	30 PRO DOOR PANEL ASM, W/LOGO, SS/BR
NI	025510-102	1	30 PRO DOOR PANEL ASM W/LOGO, BK/BR
NI	025510-106	1	30 PRO DOOR PANEL ASM W/LOGO, WH/BR
NI	023999-000	1	30 DOOR ASM, W/LOGO, SS
NI	025511-002	1	30 DOOR ASM, W/LOGO, BK
NI	025511-006	1	30 DOOR ASM, W/LOGO, WH
NI	023999-100	1	30 DOOR ASM, W/LOGO, SS/BR
NI	025511-102	1	30 DOOR ASM, W/LOGO, BK/BR
NI	025511-106	1	30 DOOR ASM, W/LOGO, WH/BR
NI	036914-000	1	30 WALL OVEN DOOR SERVICE KIT (ON UNITS MANUFACTURED BEFORE 2/14/12)

### EOC4 CONTROL BOARD WIRING (TOP VIEW)



Ref #	Part Number	Qty.	Description
1	014000-000	1	EOC4-CONTROL BOARD
1	015201-000	1	LINEAR POWER SUPPLY
1	024440-000	1	RIBBON CABLE
1	017047-000	1	TOD2 RIBBON CABLE
1	005292-000	1	MODEL 5 HEADER