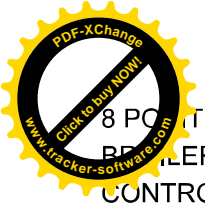
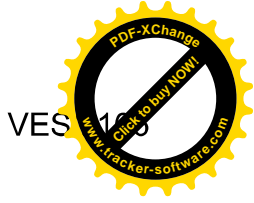
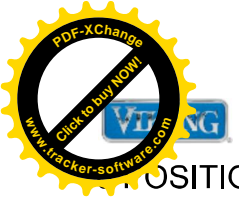


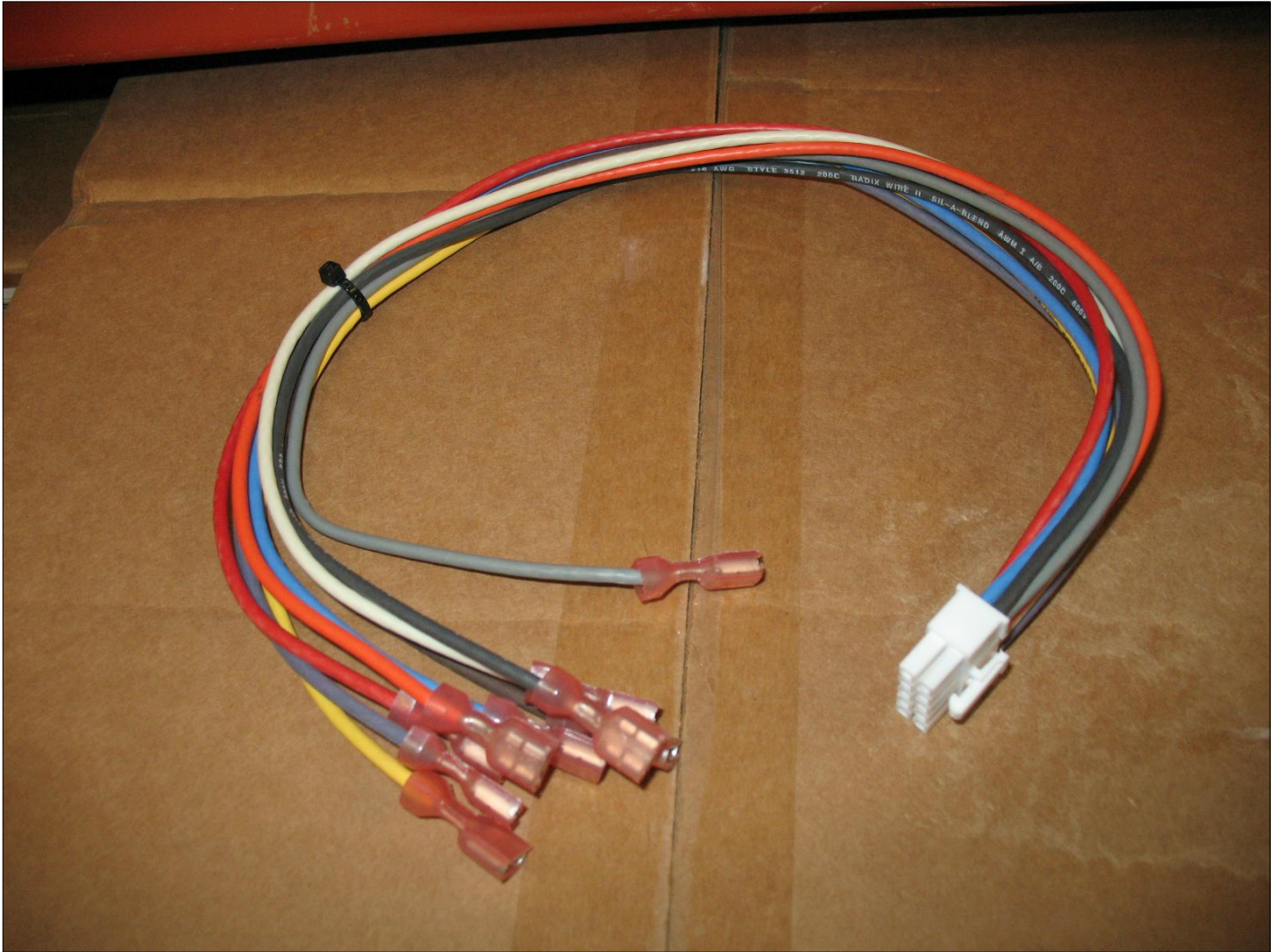
VESO166



| | |
|---------------------------------------|----|
| 8 POSITION SELECTOR HARNESS | 3 |
| REAR PANEL AREA | 4 |
| CONTROL AREA | 5 |
| DOOR ASSEMBLY | 4 |
| ELECTRONIC BOARD HARNESS | 5 |
| LOWER UNIT AREA | 6 |
| MAIN OVEN CAVITY | 7 |
| MEAT PROBE HARNESS | 8 |
| PE070492 UPPER ELEMENT HARNESS | 9 |
| PE070493 UPPER LATCH HARNESS | 10 |
| PE070497 UPPER LIGHT HARNESS | 11 |
| PE070530 SINGLE CONTROL HARNESS | 12 |
| PE070533 UPPER TIMER HARNESS | 13 |
| PE070536 SINGLE OVEN JUMPER | 14 |
| PE070537 AUTO RESET HARNESS | 15 |
| PE070538 THERMOSTAT HARNESS | 16 |
| PE070624 SINGLE PREHEAT JUMPER | 17 |
| REAR SHEET METAL | 18 |
| UPPER UNIT AREA | 19 |
| Appendix A:Pages Index | A |
| Appendix B:Parts Index | B |



POSITION SELECTOR HARNESS



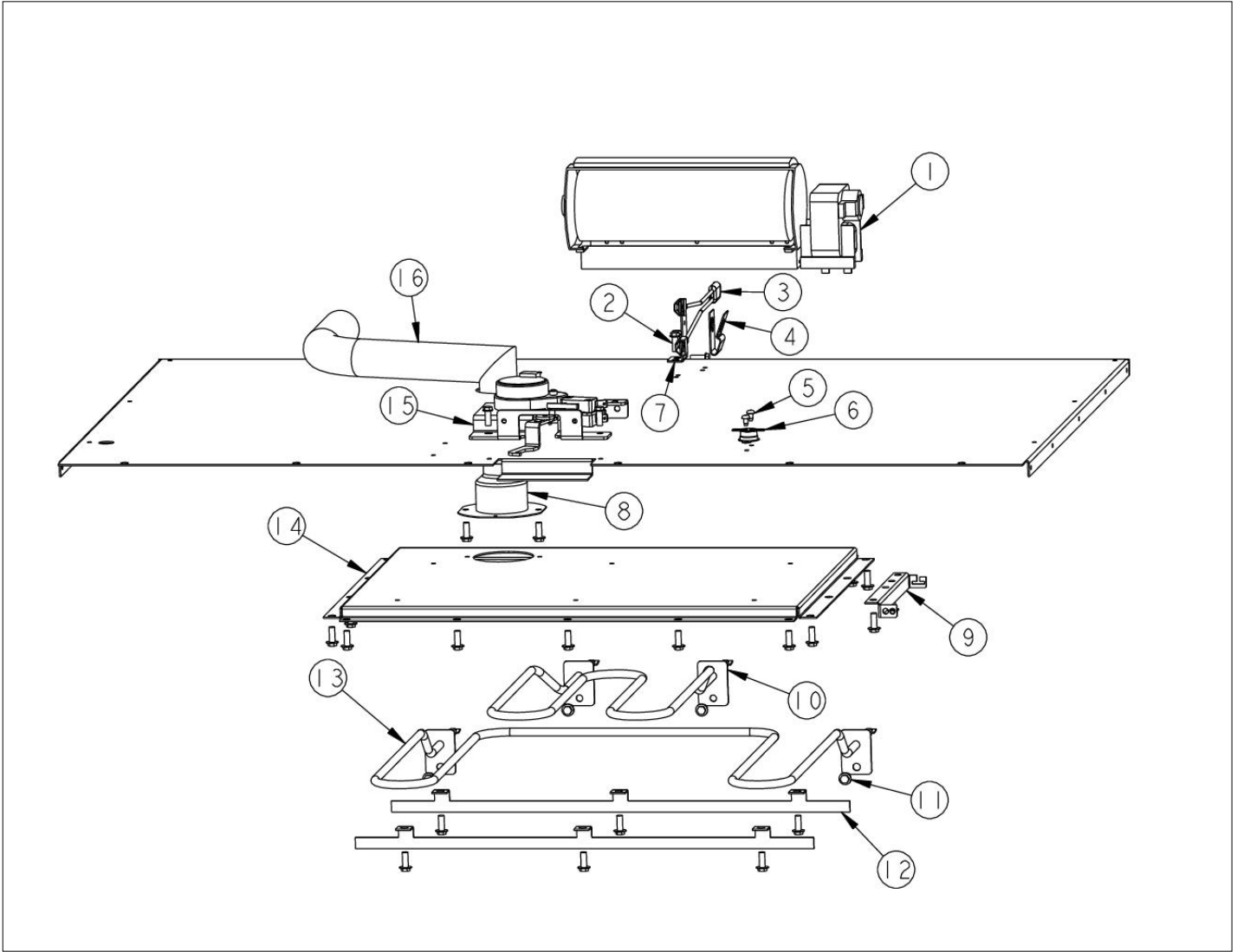


VES 163



| Item | Part No. | Name | Qty | Uom | NOTES |
|------|----------|-------------------------|-----|-----|-------|
| 1 | PE070539 | 8 POS. SELECTOR HARNESS | 1 | EA | |

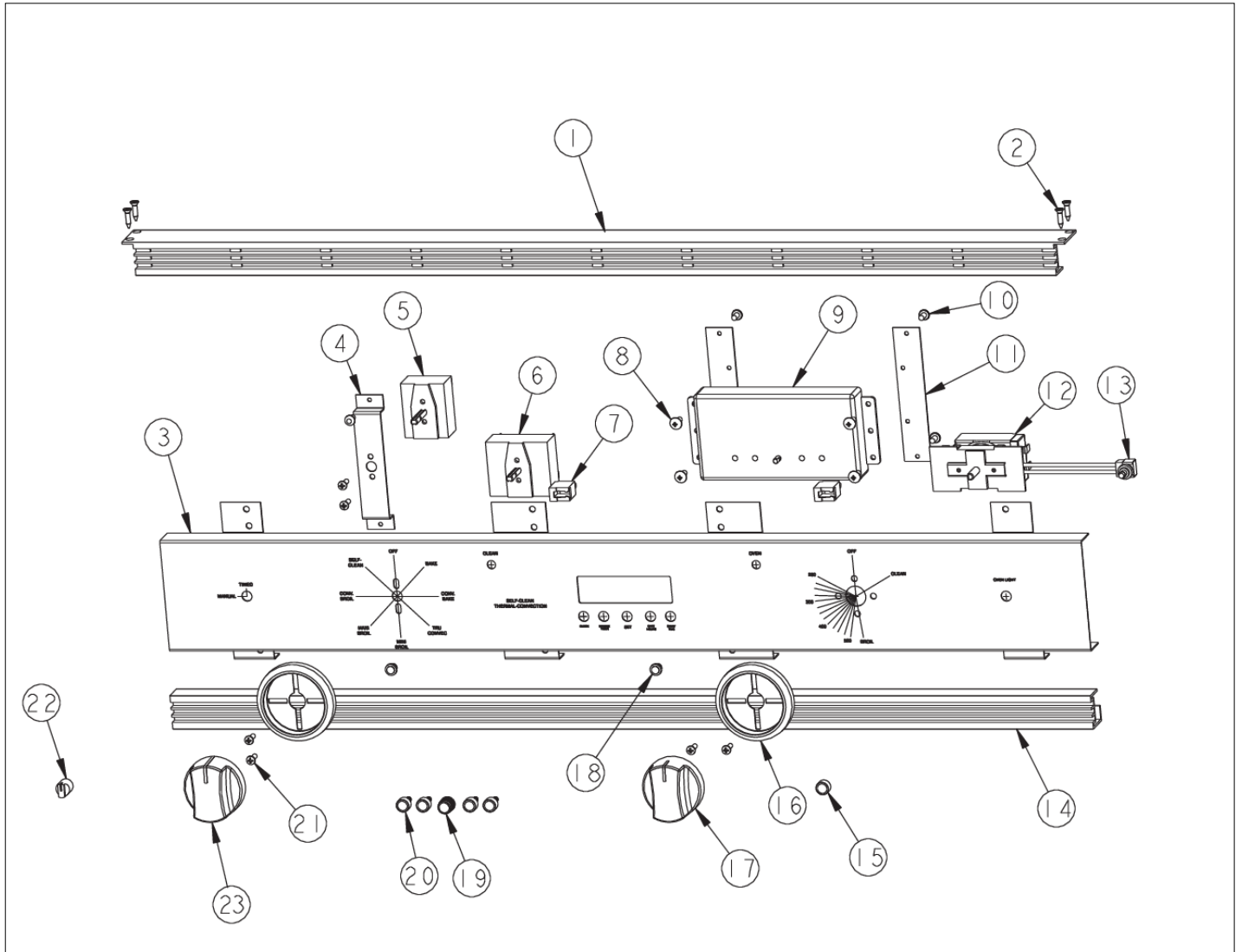
BOILER AREA

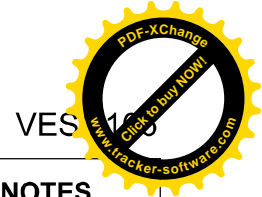




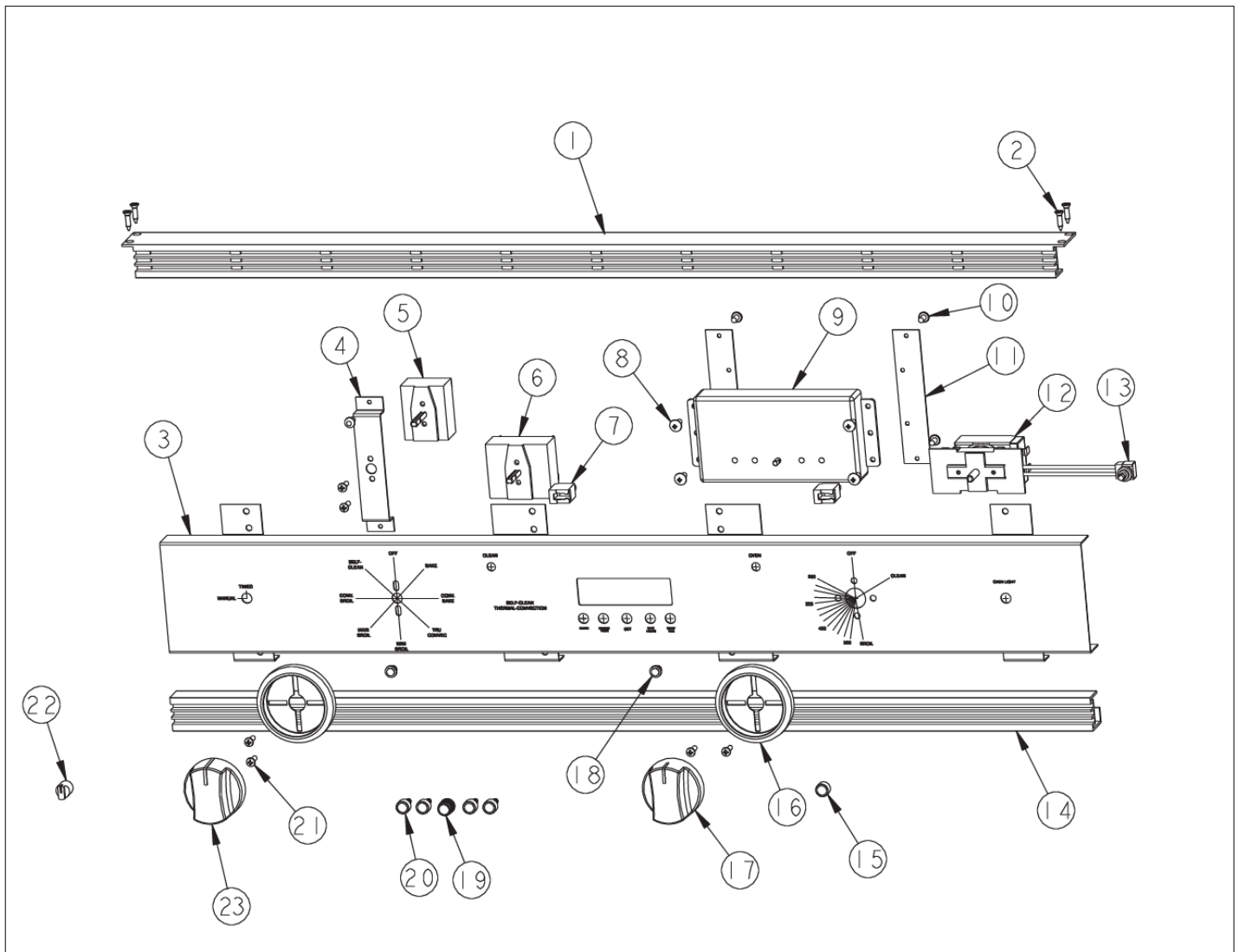
| Item | Part No. | Name | Qty | Uom | NOTES |
|------|-----------|-------------------------------------|-----|-----|---|
| 1 | PE050087 | BLOWER ASSEMBLY - DESIGNER SERIES | 1 | EA | |
| 2 | PD020060 | Screw, 10 X 1/2 Hex Washer Hd | 1 | EA | |
| 3 | PE050059 | HI-LIMIT SWITCH | 1 | EA | |
| 4 | PD030062 | .250 HI-LIMIT SWITCH CLAMP(VGSC306) | 1 | EA | |
| 5 | PD020006 | NO.6-32 X 1/4 PH.PAN HD. T(F) | 1 | EA | |
| 6 | PJ030006 | SWITCH (COOLING FAN) | 1 | EA | |
| 7 | A2007276 | LIMIT SWITCH BRACKET | 1 | EA | NO LONGER AVAILABLE, Not available online / Call for pricing and availability |
| 8 | PM010014 | Smoke Eliminator | 1 | EA | |
| 9 | B20012039 | THERMAL BULB BRACKET | 1 | EA | Not available online / Call for pricing and availability |
| 10 | PJ010001 | BROIL ELEMENT 240V | 1 | EA | |
| 11 | PD020048 | NO.10 X 1/2 TEK 410 SS SCREW | 1 | EA | |
| 12 | B20012072 | BROILER ELEMENT BRACKET | 1 | EA | NO LONGER AVAILABLE |
| 13 | PJ010002 | BROIL ELEMENT(MAXI)-SIDE (VDSC)240V | 1 | EA | |
| 14 | B2002167 | BROILER TOP (VDSC) | 1 | EA | NO LONGER AVAILABLE |
| 15 | PE050112 | DOOR LATCH | 1 | EA | |
| 16 | PB020175 | VENT TUBE | 1 | EA | NO LONGER AVAILABLE, Not available online / Call for pricing and availability |

CONTROL AREA





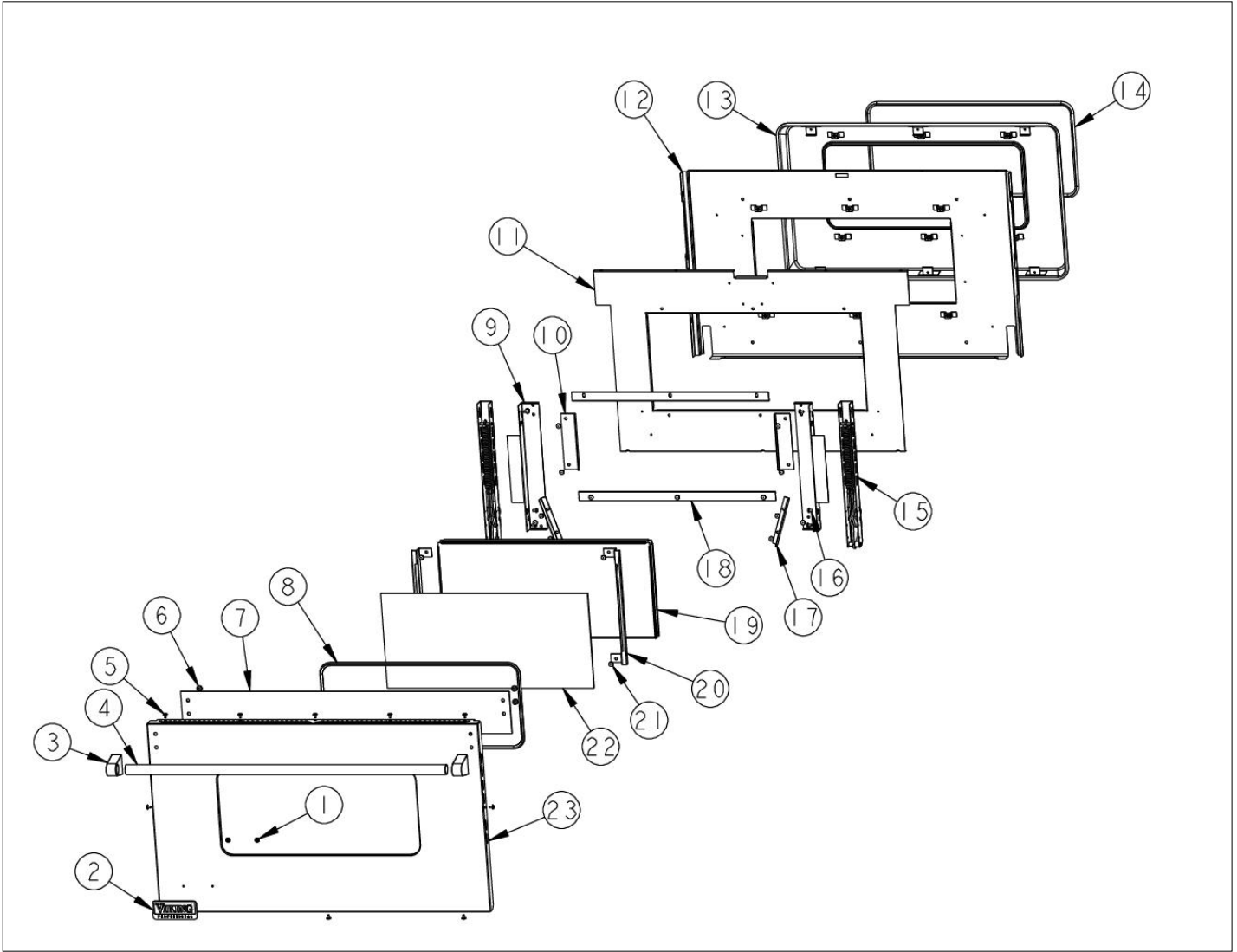
| Item | Part No. | Name | Qty | Uom | NOTES |
|---|-------------|---|-----|-----|---|
| 1 | PE040192 | TOP EXTRUSION | 1 | EA | |
| 2 | PD020061 | #8 X 3/4 FLAT HD TEK. *SS* | 1 | EA | |
| 3 | B92014054 | VESO166 CONTROL PANEL | 1 | EA | |
| 3 | C92014054BK | VESO166 CONTROL PANEL *BK* | 1 | EA | Not available online / Call for pricing and availability |
| 3 | C92014054WH | VESO166 CONTROL PANEL *WH* | 1 | EA | NO LONGER AVAILABLE, Not available online / Call for pricing and availability |
| 4 | A2008526 | SELECTOR BRACKET | 1 | EA | NO LONGER AVAILABLE |
| 5 | PJ030011 | SWITCH (2-POSITION) VESO105 | 1 | EA | |
| 6 | PJ030001 | SELECTOR SWITCH (8-POSITION) VDSC | 1 | EA | |
| 7 | PE050024 | OVEN IND. LIGHT (LIGHT HOUSING) | 1 | EA | |
| 8 | PD010003 | 10-24 X 1/2 PH.TR.HD.SERD.M.S. | 1 | EA | |
| 9 | PE050213 | PRO 120V DIGITAL CLOCK | 1 | EA | |
| 10 | PD020004 | 10X3/8PH.HD.TYPE 25 REPL PD040125 | 1 | EA | |
| 11 | A10014056 | CLOCK BRACKET | 1 | EA | NO LONGER AVAILABLE, Not available online / Call for pricing and availability |
| 12 | PJ030037 | SUB TO PS500033 - SELF CLEAN THERMOSTAT | 1 | EA | |
| 13 | PE050076 | DESIGNER OVEN LIGHT SWITCH | 1 | EA | |
| <p>Comments for Part Num. PE050076</p> <p>bradleysapplianceservice@shaw.ca on Sep 16, 2016</p> <p>SUBS TO: G40015469 OVEN LIGHT SWITCH ASSEMBLY</p> | | | | | |
| 14 | PE040193 | LOWER CONTROL PANEL EXTRUSION | 1 | EA | Not available online / Call for pricing and availability |
| 15 | PB010308 | PROF. OVEN LIGHT BUTTON | 1 | EA | NO LONGER AVAILABLE |





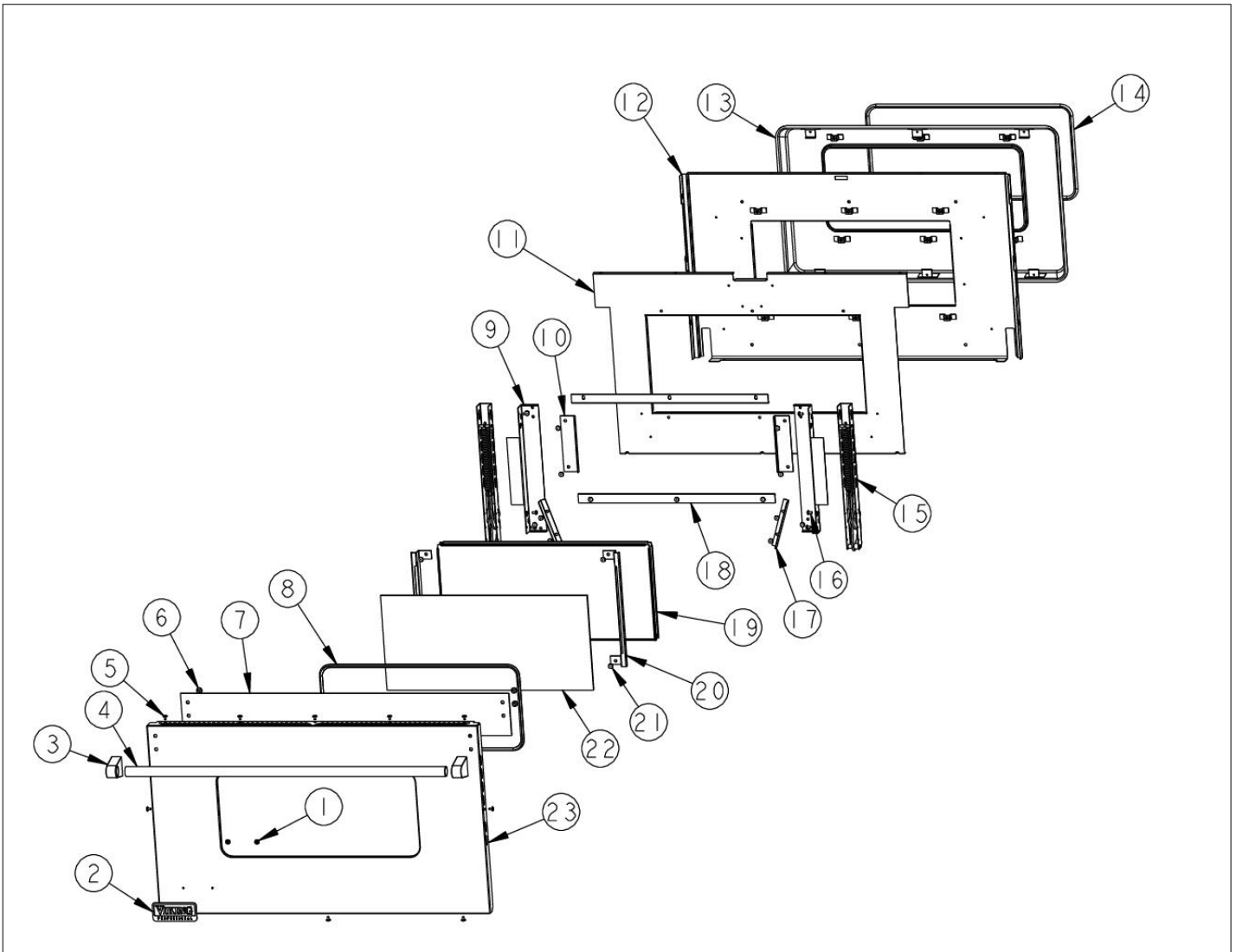
| Item | Part No. | Name | Qty | Uom | NOTES |
|-----------|-------------|-------------------------------------|-----|-----|---------------------|
| 15 | PB010312 | PROF. OVEN LIGHT BUTTON *WH* | 1 | EA | NO LONGER AVAILABLE |
| 16 | 050172-000 | KNOB BEZEL | 1 | EA | |
| 16 | PB010304PVD | RESTYLE KNOB BEZEL, BR | 1 | EA | |
| 17 | PB010329 | VGSO100 KNOB | 1 | EA | |
| Not Shown | NOTE | (BEFORE 7/13/11) | | EA | |
| 17 | PB010330 | VGSO100 OVEN KNOB WHITE | 1 | EA | |
| Not Shown | NOTE | (BEFORE 7/13/11) | | EA | |
| 17 | 008770-000 | GAS VALVE KNOB, SSS PVD | 1 | EA | |
| Not Shown | NOTE | (ON OR AFTER 7/13/11) | | EA | |
| 18 | PE050023 | OVEN IND. LIGHT (LENS & BEZEL) | 1 | EA | |
| 19 | PB010307 | PROF. CLOCK KNOB | 1 | EA | |
| 19 | PB010311 | PROF. CLOCK KNOB *WH* | 1 | EA | |
| 20 | PB010306 | PROF. CLOCK BUTTON | 1 | EA | |
| 20 | PB010310 | PROF. CLOCK BUTTON *WH* | 1 | EA | |
| 21 | PD020261 | #8-32 X 1/2 PH. PAN HD. MS | 1 | EA | |
| 22 | PB010165 | TIME MANUAL KNOB *BK* (VESO/VEDO) | 1 | EA | |
| 22 | PB010166 | TIME MANUAL KNOB *WH* (VESO/VEDO) | 1 | EA | |
| 23 | PB010305 | PROF. SELECTOR/THERMOSTAT KNOB | 1 | EA | |
| Not Shown | NOTE | (BEFORE 7/13/11) | | EA | |
| 23 | PB010309 | PROF. SELECTOR/THERMOSTAT KNOB *WH* | 1 | EA | |
| Not Shown | NOTE | (BEFORE 7/13/11) | | EA | |
| 23 | 008769-000 | THERMOSTAT KNOB, SSS PVD | 1 | EA | |
| Not Shown | NOTE | (ON OR AFTER 7/13/11) | | EA | |

FOR ASSEMBLY



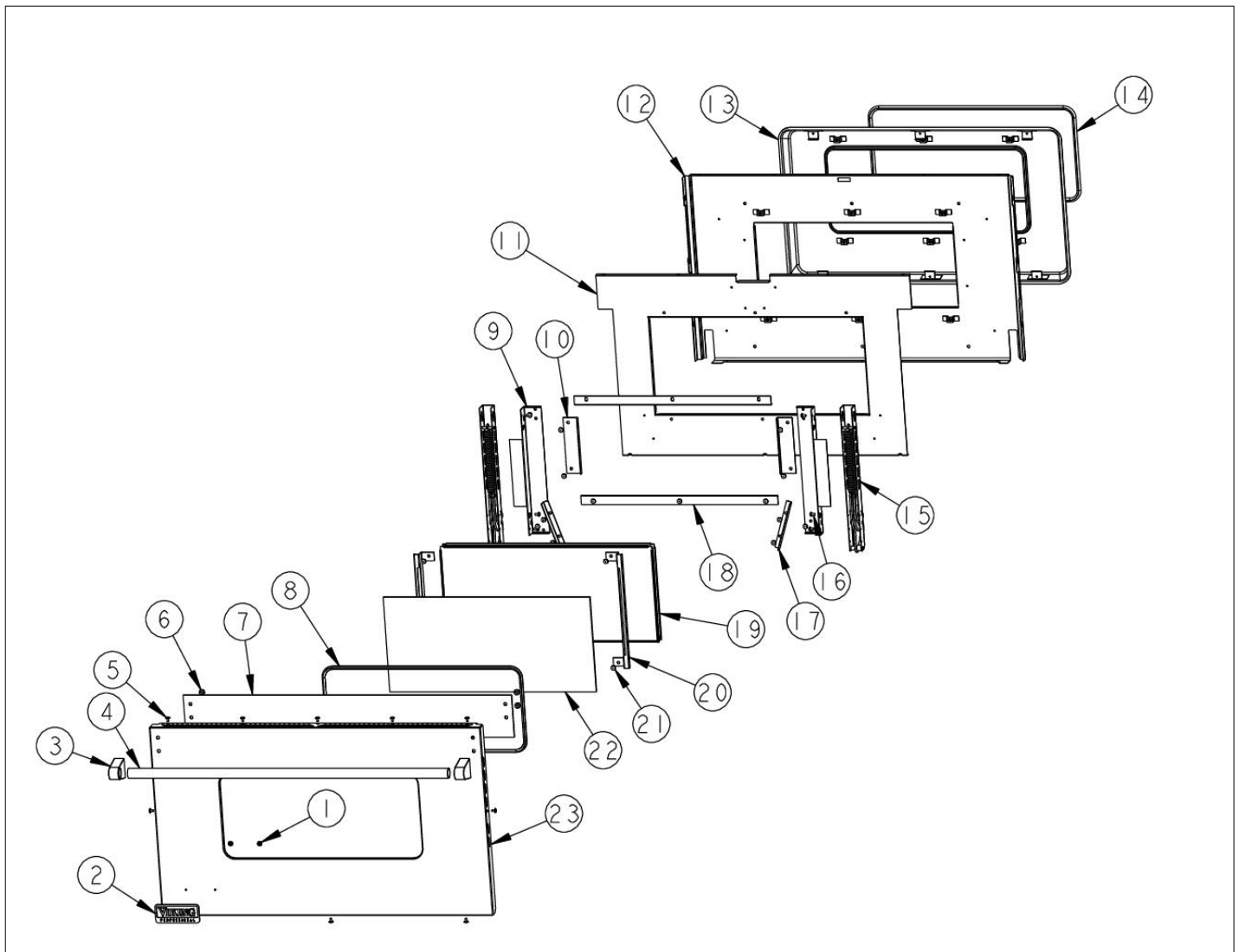


| Item | Part No. | Name | Qty | Uom | NOTES |
|------|-------------|---|-----|-----|---|
| 1 | PD030006 | CAPPED WASHER PAL NUT | 1 | EA | |
| 2 | PE010016 | LOGO (ALL RANGES) *BK/CHR 307997W | 1 | EA | |
| 2 | PE010017 | LOGO (VGSO,VEDO,VGDO,VUD) *WH/CHR | 1 | EA | |
| 2 | PE010079 | 4.5" LOGO/VIKING PROF *BK/BR | 1 | EA | |
| 2 | PE010080 | 4.5" LOGO/VIKING PROF *WH/BR | 1 | EA | |
| 3 | PE030001 | BRACKET, DOOR, HANDLE | 1 | EA | |
| 3 | PE030001PVD | END CAP DOOR HANDLE *BR | 1 | EA | |
| 4 | PE030133 | DOOR HANDLE 36" (VESO/VEDO) | 1 | EA | Not available online / Call for pricing and availability |
| 4 | PE030133PVD | DOOR HANDLE 36" (VESO/VEDO) PVD | 1 | EA | NO LONGER AVAILABLE, Not available online / Call for pricing and availability |
| 5 | PD020032 | SRW-8(A)X3/8PH.WFR HD 7/16DIA NICL | 1 | EA | |
| 6 | PD010019 | BLT-1/4-20X3/8"HEX WASHER SERATED | 1 | EA | |
| 7 | J1008505 | OVEN DOOR HEAT SINK | 1 | EA | |
| 8 | PE060067 | J MOLD | 1 | EA | Not available online / Call for pricing and availability |
| 8 | PE060068BR | J MOLD *BRASS* | 1 | EA | NO LONGER AVAILABLE |
| 9 | A20016232 | DOOR HINGE BRACKET | 1 | EA | Not available online / Call for pricing and availability |
| 10 | A2002189 | DOOR GLASS STANDOFF (VDSC) | 1 | EA | |
| 11 | A2008503 | DOOR INSULATION RETAINER 36 | 1 | EA | |
| 12 | G9108501 | DOOR LINER ASSY 36 | 1 | EA | |
| 13 | G9108531 | DOOR PLUG 36 (VESO165/VEDO265) | 1 | EA | |



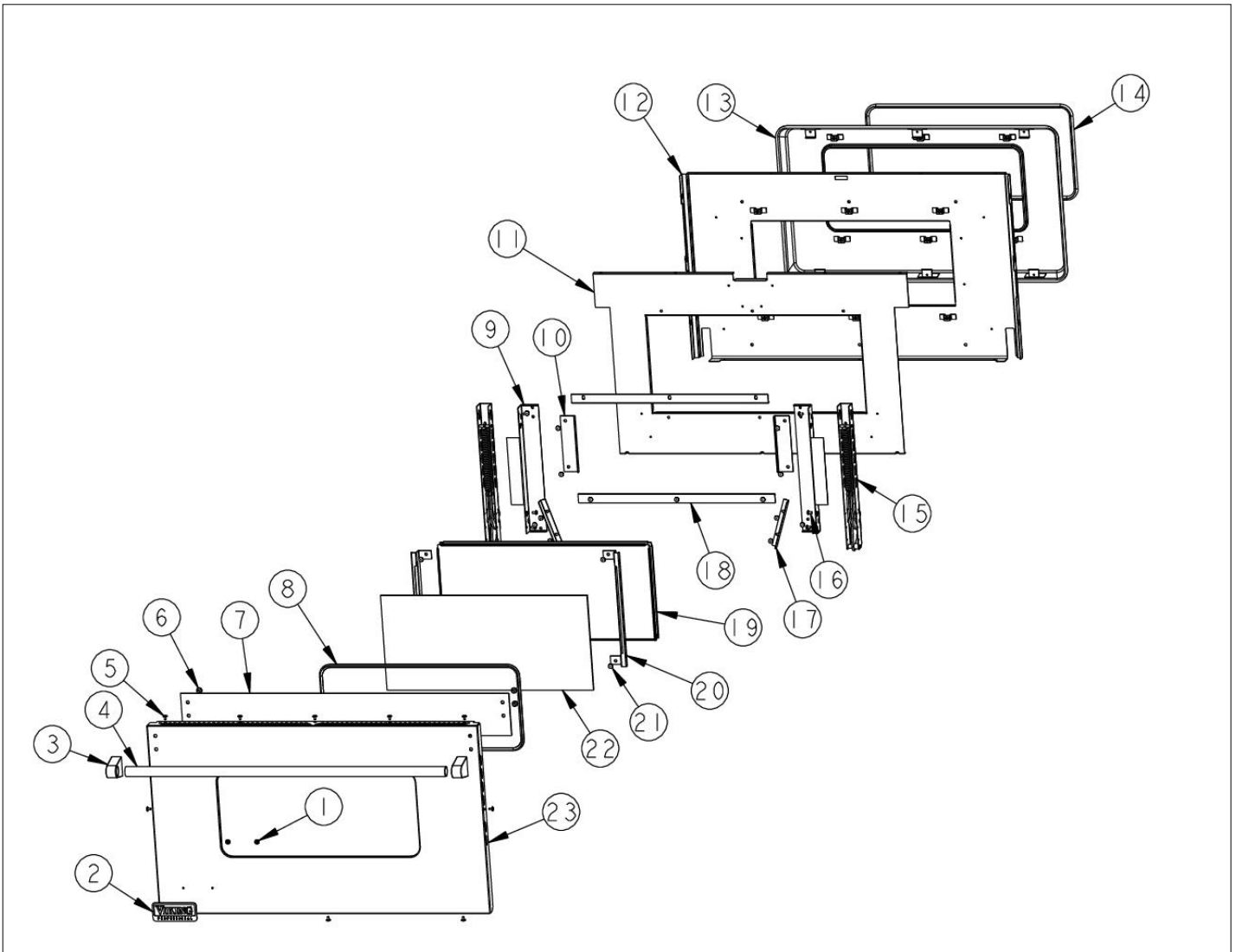


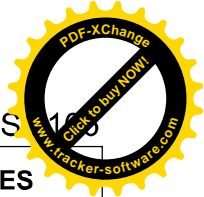
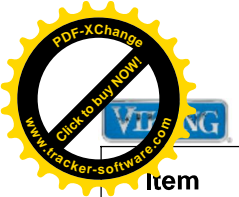
| Item | Part No. | Name | Qty | Uom | NOTES |
|------|------------|-----------------------------------|-----|-----|---|
| 14 | 000594-000 | BLACK FIBERGLASS ROPE 3/8 | 1 | EA | Not available online / Call for pricing and availability |
| 15 | PC020188 | DOOR HINGE | 2 | EA | |
| 16 | PD020004 | 10X3/8PH.HD.TYPE 25 REPL PD040125 | 1 | EA | |
| 17 | A2002497 | DOOR GUIDE ANGLE VDSC | 1 | EA | |
| 18 | A2009812 | BRACKET, WINDOW PACK | 1 | EA | |
| 19 | PE060069 | WINDOW PACK, SELF CLEANING OVEN | 1 | EA | |
| 20 | A2008534 | DOOR GLASS BRACKET | 1 | EA | |
| 21 | PD020002 | Screw, 10 X 1/2 Ph Tr SMS | 1 | EA | |
| 22 | PE060066 | OUTER DOOR GLASS | 1 | EA | |
| 22 | PE060065 | OUTER DOOR GLASS | 1 | EA | |
| 23 | B2008504 | OUTTER DOOR PANEL | 1 | EA | |
| 23 | C9008504AL | OUTER DOOR PANEL *AL* | 1 | EA | NO LONGER AVAILABLE, Not available online / Call for pricing and availability |
| 23 | C9008504BK | OUTISDE DOOR PANEL *BK* | 1 | EA | Not available online / Call for pricing and availability |
| 23 | C9008504BT | OUTISDE DOOR PANEL *BT* | 1 | EA | NO LONGER AVAILABLE, Not available online / Call for pricing and availability |
| 23 | C9008504BU | OUTISDE DOOR PANEL *BU* | 1 | EA | NO LONGER AVAILABLE |
| 23 | C9008504CB | OUTISDE DOOR PANEL *CB* | 1 | EA | NO LONGER AVAILABLE, Not available online / Call for pricing and availability |
| 23 | C9008504EP | OUTISDE DOOR PANEL *EP* | 1 | EA | NO LONGER AVAILABLE, Not available online / Call for pricing and availability |
| 23 | C9008504FG | OUTISDE DOOR PANEL *FG* | 1 | EA | NO LONGER AVAILABLE, Not available online / Call for pricing and availability |



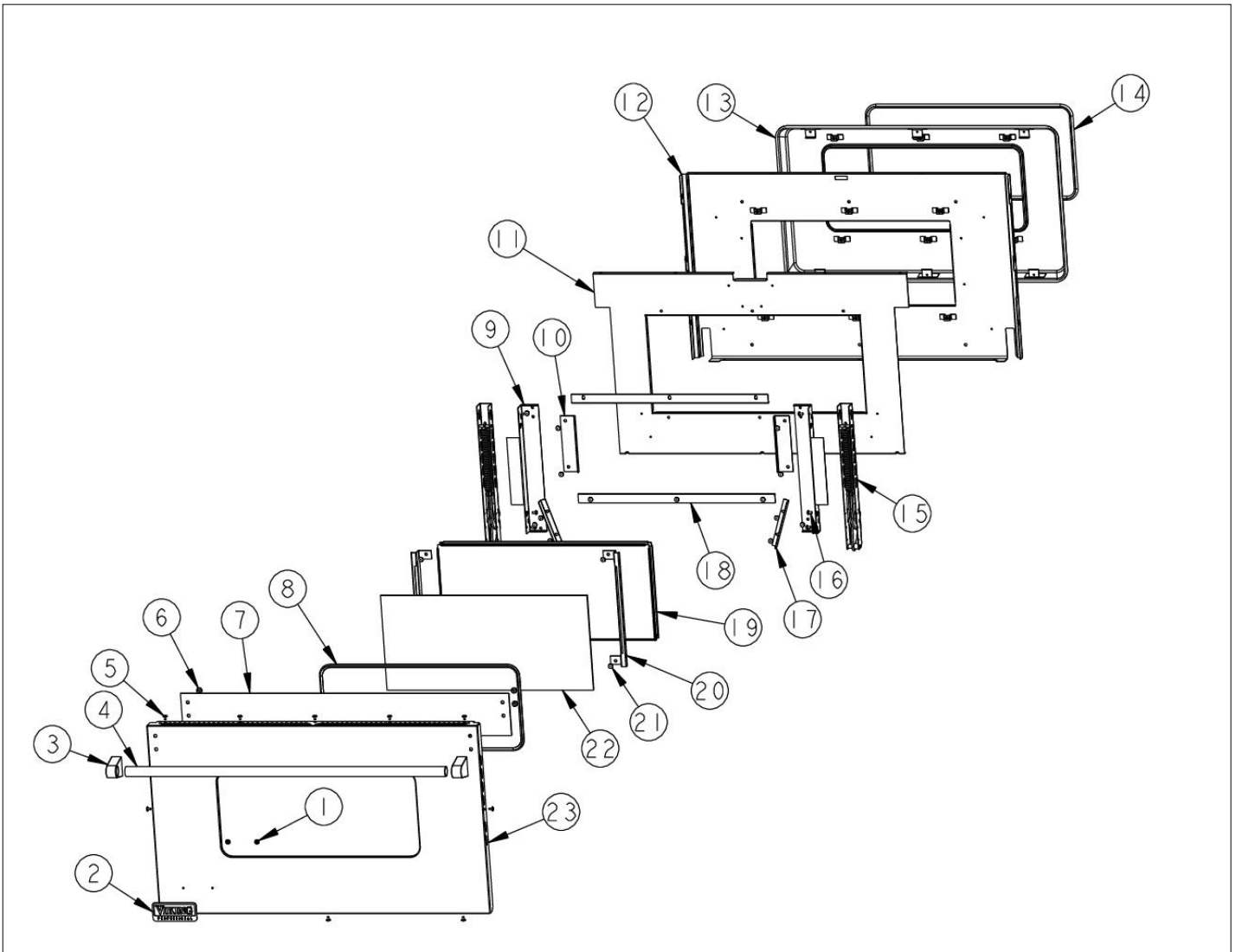


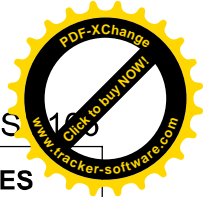
| Item | Part No. | Name | Qty | Uom | NOTES |
|------|--------------|-----------------------------------|-----|-----|---|
| 23 | C9008504GG | OUTISDE DOOR PANEL *GG* | 1 | EA | NO LONGER AVAILABLE, Not available online / Call for pricing and availability |
| 23 | C9008504LE | OUTISDE DOOR PANEL *LE* | 1 | EA | NO LONGER AVAILABLE, Not available online / Call for pricing and availability |
| 23 | C9008504MJ | OUTISDE DOOR PANEL *MJ* | 1 | EA | NO LONGER AVAILABLE, Not available online / Call for pricing and availability |
| 23 | C9008504SG | OUTISDE DOOR PANEL *SG* | 1 | EA | NO LONGER AVAILABLE, Not available online / Call for pricing and availability |
| 23 | C9008504VB | OUTISDE DOOR PANEL *VB* | 1 | EA | NO LONGER AVAILABLE, Not available online / Call for pricing and availability |
| 23 | C9008504WH | OUTISDE DOOR PANEL *WH* | 1 | EA | NO LONGER AVAILABLE |
| NI | G3208500AL | 36" DOOR ASSY SINGLE/LOWER | 1 | EA | NO LONGER AVAILABLE, Not available online / Call for pricing and availability |
| NI | G3208500ALBR | 36" DOOR ASSY SINGLE/LOWER ALBR | 1 | EA | NO LONGER AVAILABLE, Not available online / Call for pricing and availability |
| NI | G3208500BK | 36" DOOR ASSY SINGLE/LOWER *BK* | 1 | EA | |
| NI | G3208500BKBR | 36" DOOR ASSY SINGLE/LOWER *BKBR* | 1 | EA | NO LONGER AVAILABLE |
| NI | G3208500BT | 36" DOOR ASSY SINGLE/LOWER *BT* | 1 | EA | NO LONGER AVAILABLE, Not available online / Call for pricing and availability |
| NI | G3208500BTBR | 36" DOOR ASSY SINGLE/LOWER *BTBR* | 1 | EA | NO LONGER AVAILABLE, Not available online / Call for pricing and availability |



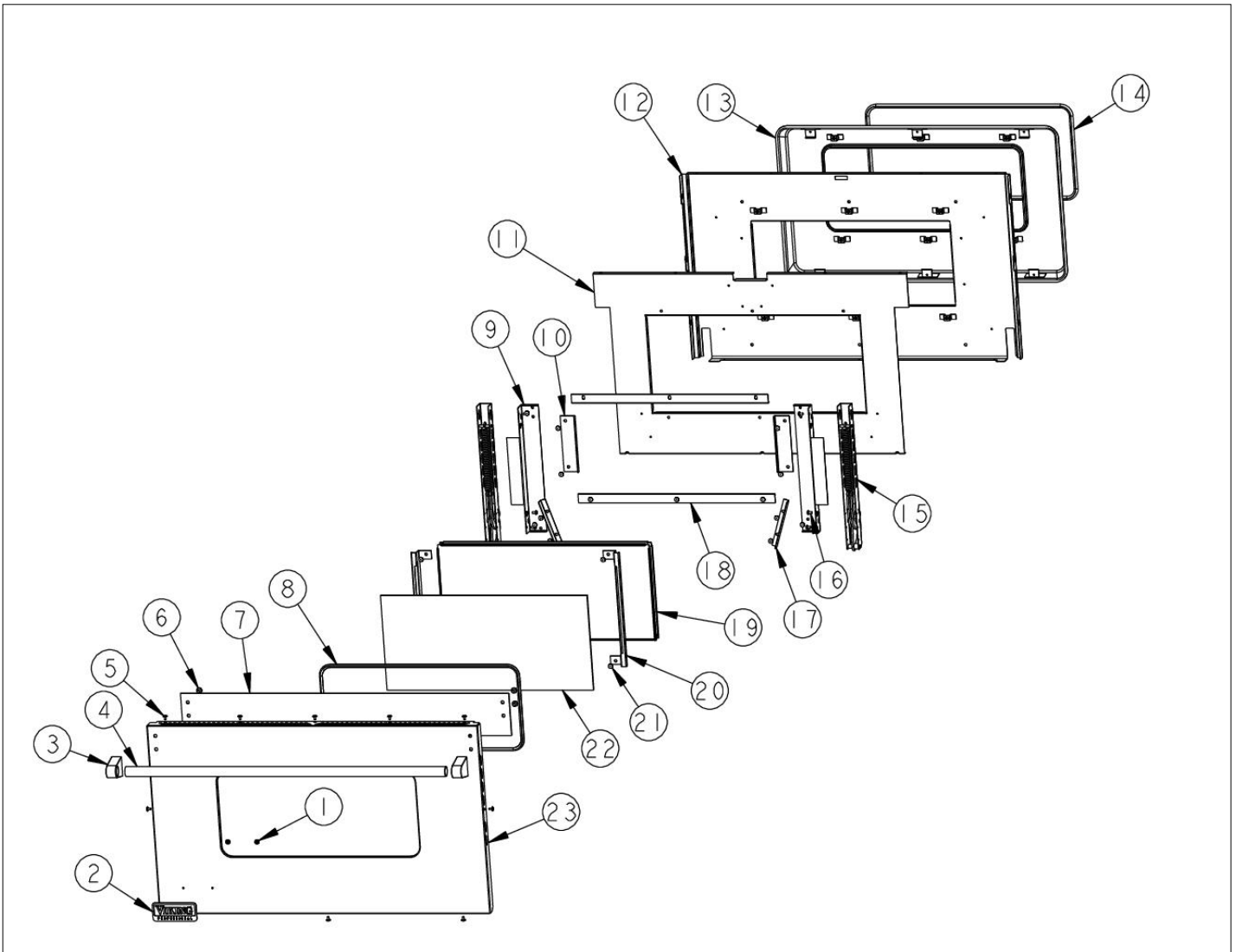


| Item | Part No. | Name | Qty | Uom | NOTES |
|------|--------------|--------------------------------------|-----|-----|---|
| NI | G3208500BU | 36" DOOR ASSY SINGLE/LOWER *BU* | 1 | EA | NO LONGER AVAILABLE, Not available online / Call for pricing and availability |
| NI | G3208500BUBR | 36" DOOR ASSY SINGLE/LOWER *BUBR* | 1 | EA | NO LONGER AVAILABLE, Not available online / Call for pricing and availability |
| NI | G3208500CB | 36" DOOR ASSY SINGLE/LOWER *CB* | 1 | EA | NO LONGER AVAILABLE, Not available online / Call for pricing and availability |
| NI | G3208500CBBR | 36" DOOR ASSY SINGLE/LOWER *CBBR* | 1 | EA | NO LONGER AVAILABLE, Not available online / Call for pricing and availability |
| NI | G3208500EP | 36" DOOR ASSY SINGLE/LOWER *EP* | 1 | EA | NO LONGER AVAILABLE, Not available online / Call for pricing and availability |
| NI | G3208500EPBR | 36" DOOR ASSY SINGLE/LOWER *EPBR* | 1 | EA | NO LONGER AVAILABLE, Not available online / Call for pricing and availability |
| NI | G3208500FG | 36" DOOR ASSY SINGLE/LOWER *FG* | 1 | EA | NO LONGER AVAILABLE, Not available online / Call for pricing and availability |
| NI | G3208500FGBR | 36" DOOR ASSY SINGLE/LOWER *FGBR* | 1 | EA | NO LONGER AVAILABLE, Not available online / Call for pricing and availability |
| NI | G3208500GG | 36" DOOR ASSY SINGLE/LOWER *GG* | 1 | EA | NO LONGER AVAILABLE, Not available online / Call for pricing and availability |
| NI | G3208500GGBR | 36" DOOR ASSY SINGLE/LOWER *GGBR* | 1 | EA | NO LONGER AVAILABLE, Not available online / Call for pricing and availability |
| NI | G3208500LE | 36" DOOR ASSY SINGLE/LOWER *LE* | 1 | EA | NO LONGER AVAILABLE, Not available online / Call for pricing and availability |





| Item | Part No. | Name | Qty | Uom | NOTES |
|------|--------------|--------------------------------------|-----|-----|---|
| NI | G3208500LEBR | 36" DOOR ASSY SINGLE/LOWER *LEBR* | 1 | EA | NO LONGER AVAILABLE, Not available online / Call for pricing and availability |
| NI | G3208500MJ | 36" DOOR ASSY SINGLE/LOWER *MJ* | 1 | EA | NO LONGER AVAILABLE, Not available online / Call for pricing and availability |
| NI | G3208500MJBR | 36" DOOR ASSY SINGLE/LOWER *MJBR* | 1 | EA | NO LONGER AVAILABLE, Not available online / Call for pricing and availability |
| NI | G3208500SG | 36" DOOR ASSY SINGLE/LOWER *SG* | 1 | EA | NO LONGER AVAILABLE, Not available online / Call for pricing and availability |
| NI | G3208500SGBR | 36" DOOR ASSY SINGLE/LOWER *SGBR* | 1 | EA | NO LONGER AVAILABLE, Not available online / Call for pricing and availability |
| NI | G3208500SS | 36" DOOR ASSY SINGLE/LOWER | 1 | EA | Not available online / Call for pricing and availability |
| NI | G3208500SSBR | 36" DOOR ASSY SINGLE/LOWER | 1 | EA | Not available online / Call for pricing and availability |
| NI | G3208500VB | 36" DOOR ASSY SINGLE/LOWER *VB* | 1 | EA | NO LONGER AVAILABLE, Not available online / Call for pricing and availability |
| NI | G3208500VBBR | 36" DOOR ASSY SINGLE/LOWER *VBBR* | 1 | EA | NO LONGER AVAILABLE, Not available online / Call for pricing and availability |
| NI | G3208500WH | 36" DOOR ASSY SINGLE/LOWER *WH* | 1 | EA | NO LONGER AVAILABLE, Not available online / Call for pricing and availability |
| NI | G3208500WHBR | 36" DOOR ASSY SINGLE/LOWER *WHBR* | 1 | EA | NO LONGER AVAILABLE, Not available online / Call for pricing and availability |
| NI | 025159-000 | INSULATION, DOOR, 36" | 1 | EA | |





VES 163



| Item | Part No. | Name | Qty | Uom | NOTES |
|------|------------|---------------------------------|-----|-----|-------|
| NI | 000623-000 | DOOR GASKET(3/8"DIA.) (VDSC) | 1 | EA | |

ELECTRONIC BOARD HARNESS



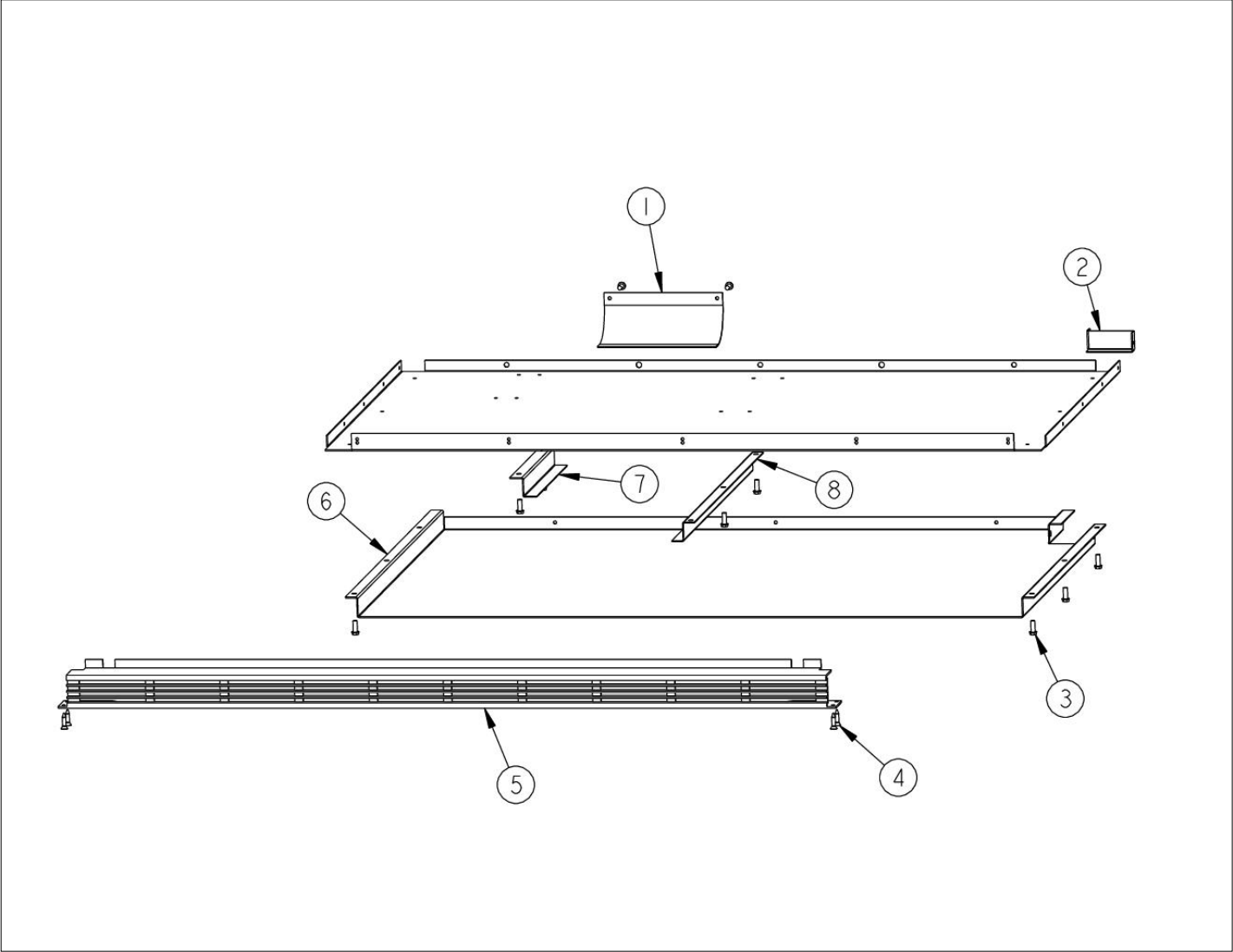


VES 163



| Item | Part No. | Name | Qty | Uom | NOTES |
|------|----------|--------------------------|-----|-----|-------|
| 1 | PE070529 | ELECTRONIC BOARD HARNESS | 1 | EA | |

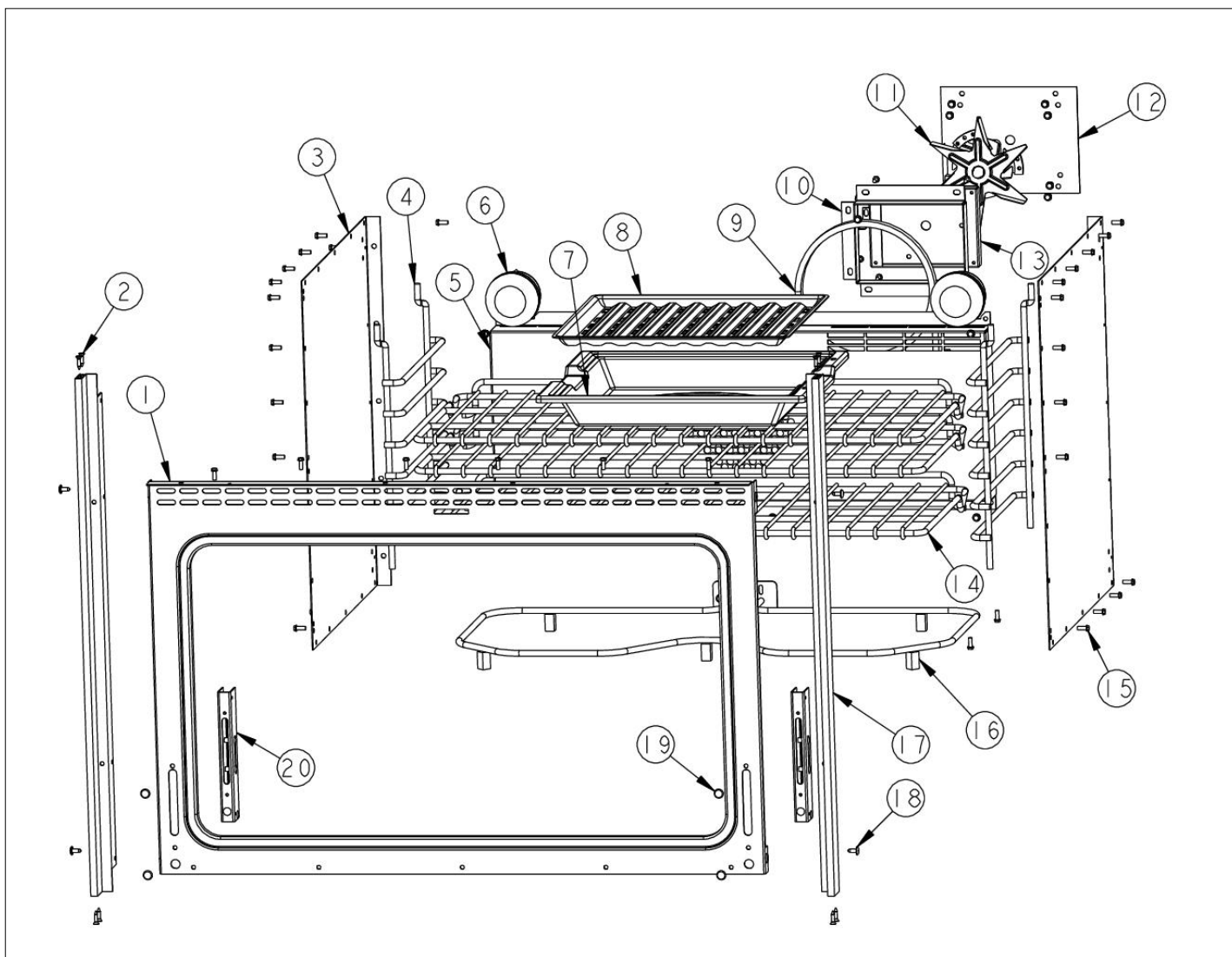
POWER UNIT AREA





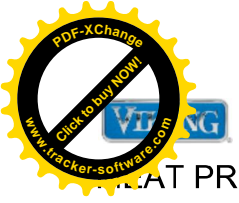
| Item | Part No. | Name | Qty | Uom | NOTES |
|------|----------|-------------------------------|-----|-----|---|
| 1 | A2006182 | AIR SCOOP | 1 | EA | NO LONGER AVAILABLE |
| 2 | A2008555 | VENT BOTTOM BRACKET | 1 | EA | NO LONGER AVAILABLE, Not available online / Call for pricing and availability |
| 3 | PD020060 | Screw, 10 X 1/2 Hex Washer Hd | 1 | EA | |
| 4 | PD020061 | #8 X 3/4 FLAT HD TEK. *SS* | 1 | EA | |
| 5 | PE040190 | BOTTOM EXTRUSION | 1 | EA | |
| 6 | A2008507 | BOTTOM VENT 36 | 1 | EA | NO LONGER AVAILABLE, Not available online / Call for pricing and availability |
| 7 | A2006325 | LOWER VENT SEPARATOR | 1 | EA | NO LONGER AVAILABLE, Not available online / Call for pricing and availability |
| 8 | A2007299 | BOTTOM VENT BRACE (DESO/DEDO) | 1 | EA | NO LONGER AVAILABLE, Not available online / Call for pricing and availability |

OVEN CAVITY





| Item | Part No. | Name | Qty | Uom | NOTES |
|------|------------|--|-----|-----|---|
| 1 | G9108522 | UPPER FRONT FRAME ASSY 36 | 1 | EA | NO LONGER AVAILABLE |
| 2 | PD020061 | #8 X 3/4 FLAT HD TEK. *SS* | 1 | EA | |
| 3 | A2002904 | SIDE INSULATION RETAINER | 1 | EA | NO LONGER AVAILABLE, Not available online / Call for pricing and availability |
| 4 | PB060030 | RACK SUPT REPL PB060010 | 1 | EA | |
| 5 | G9102750 | CONVECTION FAN COVER ASSY (VDSC36) | 1 | EA | NO LONGER AVAILABLE |
| 6 | 031449-000 | LAMP, ASM | 1 | EA | |
| 7 | E9107933 | BROILER PAN | 1 | EA | |
| 8 | E9107934 | BROILER PAN INSERT - NLA | 1 | EA | |
| 9 | PJ010003 | CONVECTION ELEMENT (VDSC) 240V | 1 | EA | |
| 10 | A2008467 | INSULATION SHIELD | 1 | EA | |
| 11 | PE050005 | CONVECTION FAN ASSY | 1 | EA | |
| 12 | A1002596 | CONVECTION FAN COVER (VDSC) | 1 | EA | |
| 13 | A2002595 | CONVECTION FAN BOX (VDSC) | 1 | EA | |
| 14 | PB060045 | OVEN RK VDSC36 REPL PB060020 | 1 | EA | |
| 15 | PD020060 | Screw, 10 X 1/2 Hex Washer Hd | 1 | EA | |
| 16 | PJ010006 | BAKE ELEMENT (VDSC-36) 240V | 1 | EA | |
| 17 | PE040071 | SIDE TRIM-EXTRUDED (VESO105) | 1 | EA | |
| 18 | PD020002 | Screw, 10 X 1/2 Ph Tr SMS | 1 | EA | |
| 19 | PD020033 | SRW-NO.10- 24X1/2T(23)PH.WFR HD (NKL) | 1 | EA | |
| 20 | PC020016 | HINGE RECEIVER (VEDO/VEDO) | 1 | EA | |



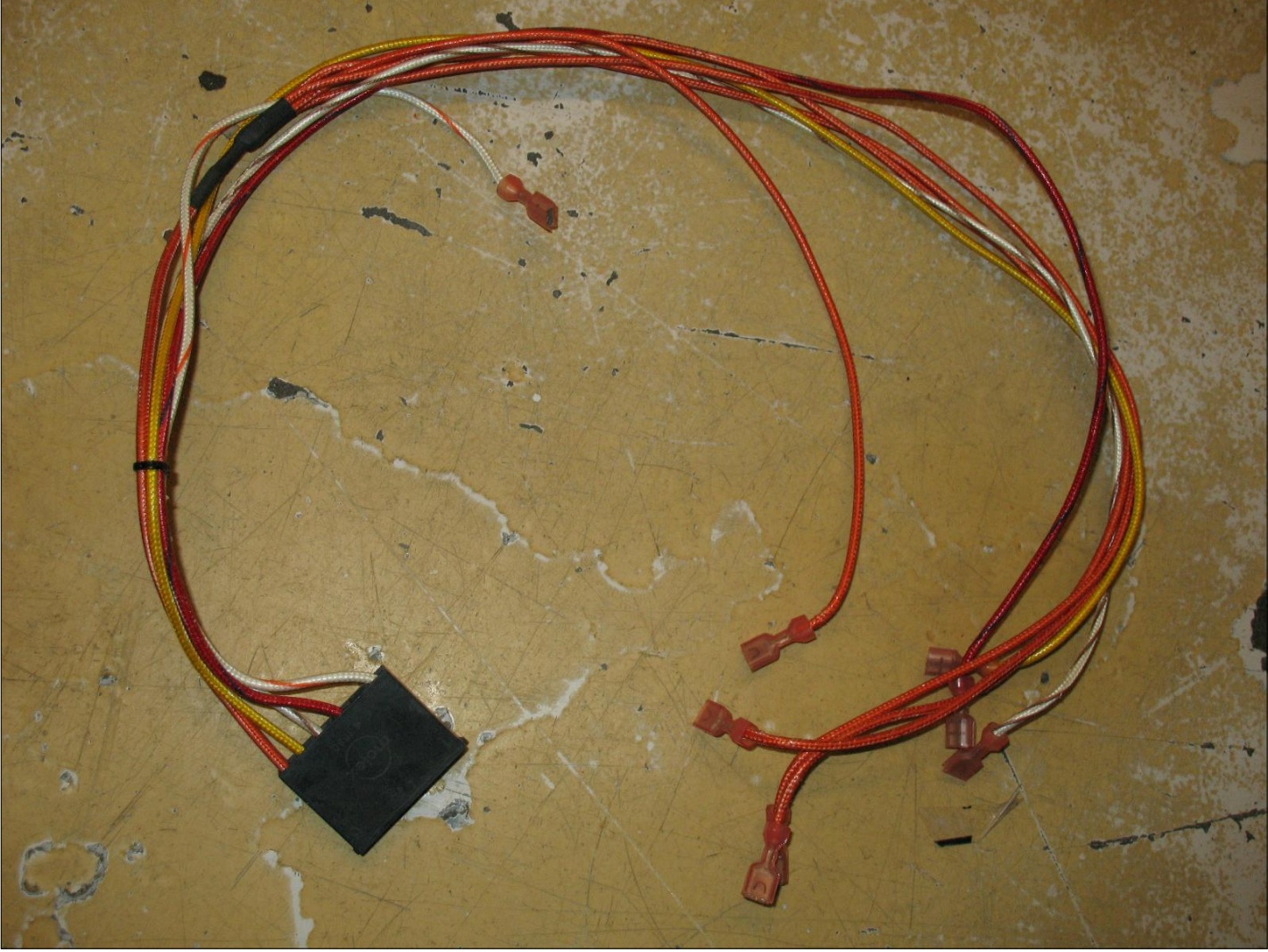
HEAT PROBE HARNESS





| Item | Part No. | Name | Qty | Uom | NOTES |
|------|----------|----------------------------|-----|-----|---------------------|
| 1 | G4007966 | WIRE ASSEMBLY (MEAT PROBE) | 1 | EA | NO LONGER AVAILABLE |

070492 UPPER ELEMENT HARNESS



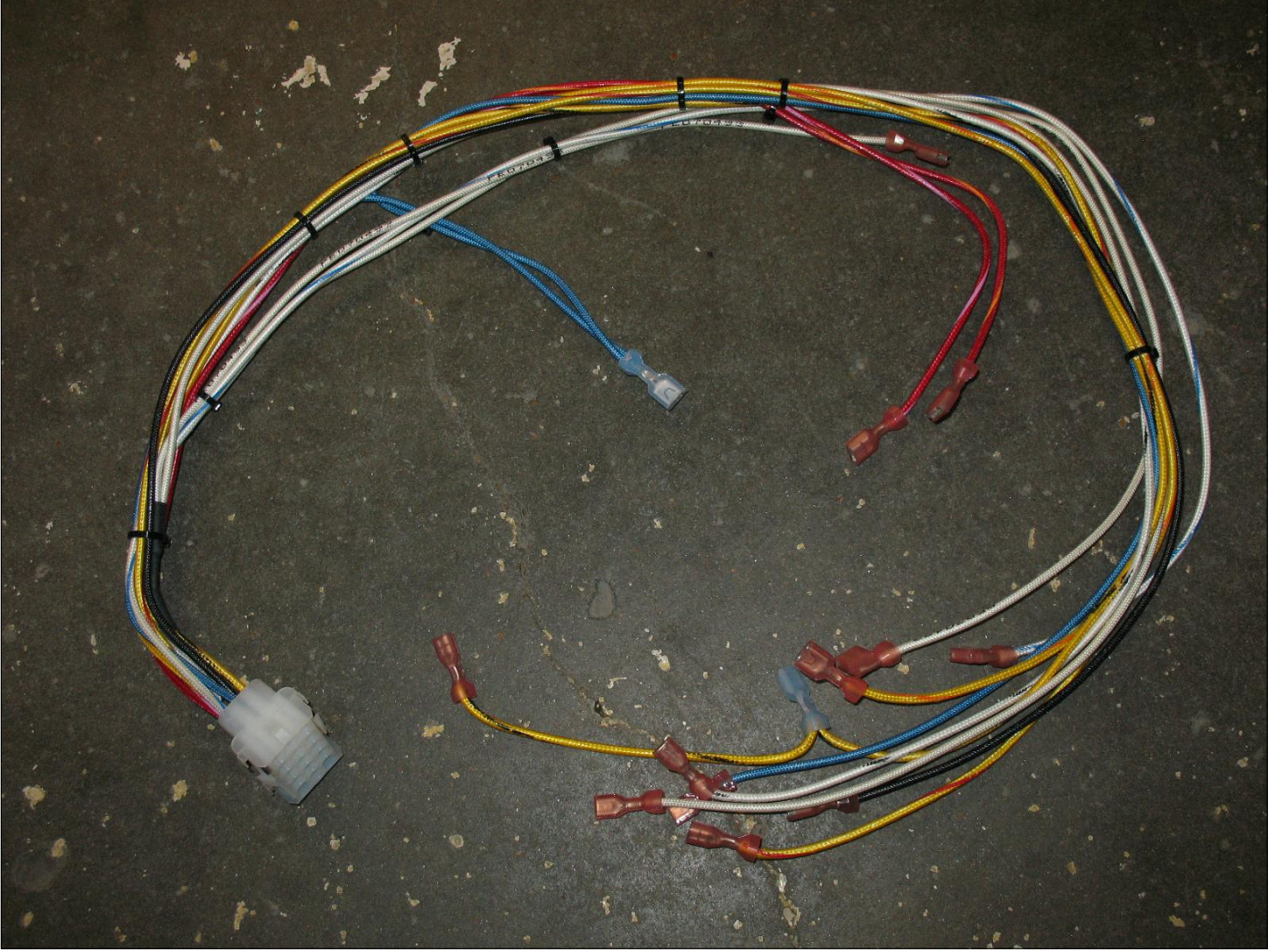


VES 163



| Item | Part No. | Name | Qty | Uom | NOTES |
|------|----------|-----------------------|-----|-----|---------------------|
| 1 | PE070492 | UPPER ELEMENT HARNESS | 1 | EA | NO LONGER AVAILABLE |

070493 UPPER LATCH HARNESS





VES 103



| Item | Part No. | Name | Qty | Uom | NOTES |
|------|----------|---------------------|-----|-----|---------------------|
| 1 | PE070493 | UPPER LATCH HARNESS | 1 | EA | NO LONGER AVAILABLE |

070497 UPPER LIGHT HARNESS





VES 163



| Item | Part No. | Name | Qty | Uom | NOTES |
|------|----------|----------------------|-----|-----|---------------------|
| 1 | PE070497 | LIGHT HARNESS, UPPER | 1 | EA | NO LONGER AVAILABLE |

070530 SINGLE CONTROL HARNESS



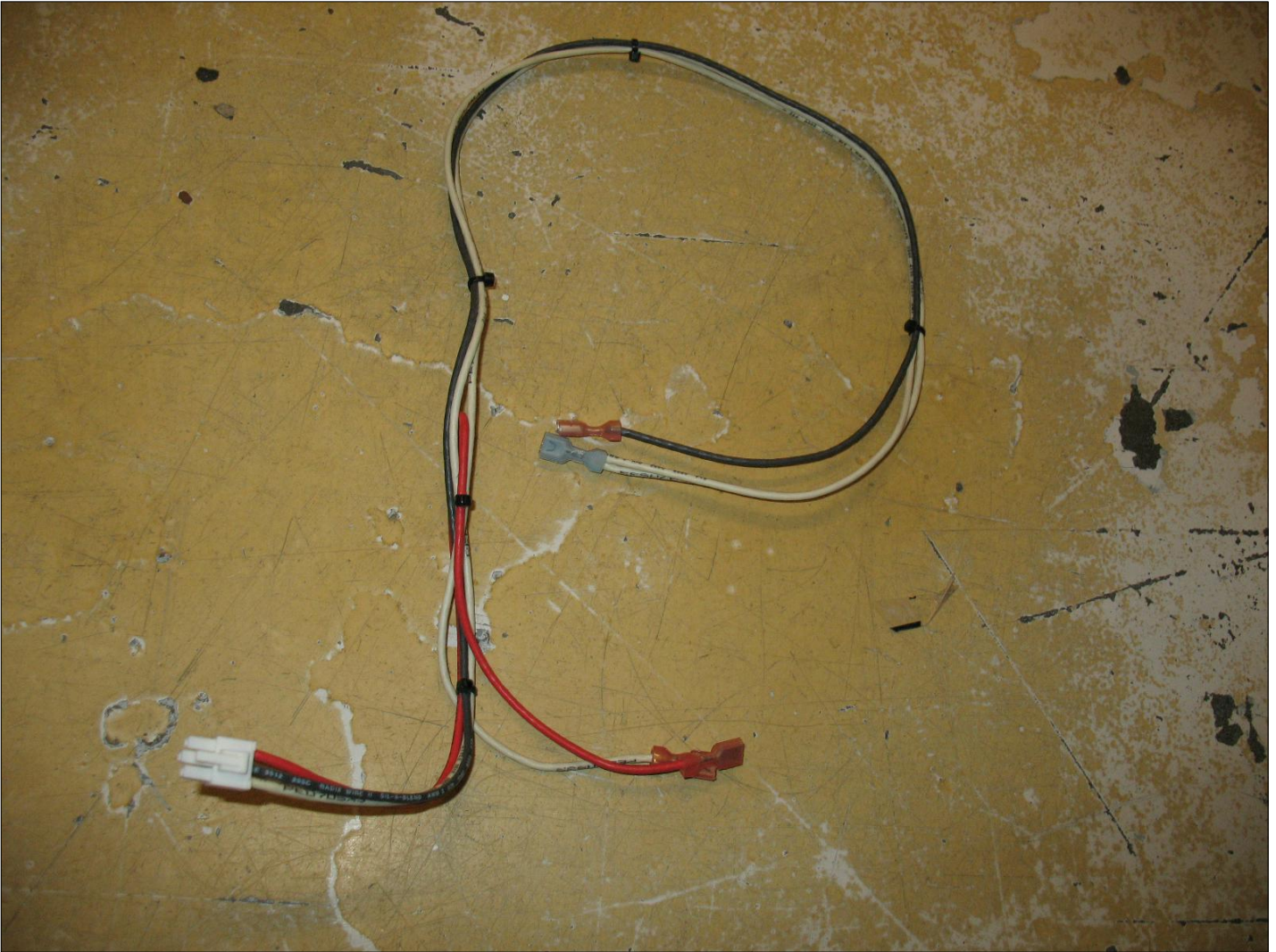


VES 10.5



| Item | Part No. | Name | Qty | Uom | NOTES |
|------|----------|------------------------|-----|-----|-------|
| 1 | PE070530 | SINGLE CONTROL HARNESS | 1 | EA | |

070533 UPPER TIMER HARNESS





VES 163



| Item | Part No. | Name | Qty | Uom | NOTES |
|------|----------|---------------------|-----|-----|---------------------|
| 1 | PE070533 | TIMER UPPER HARNESS | 1 | EA | NO LONGER AVAILABLE |



070536 SINGLE OVEN JUMPER



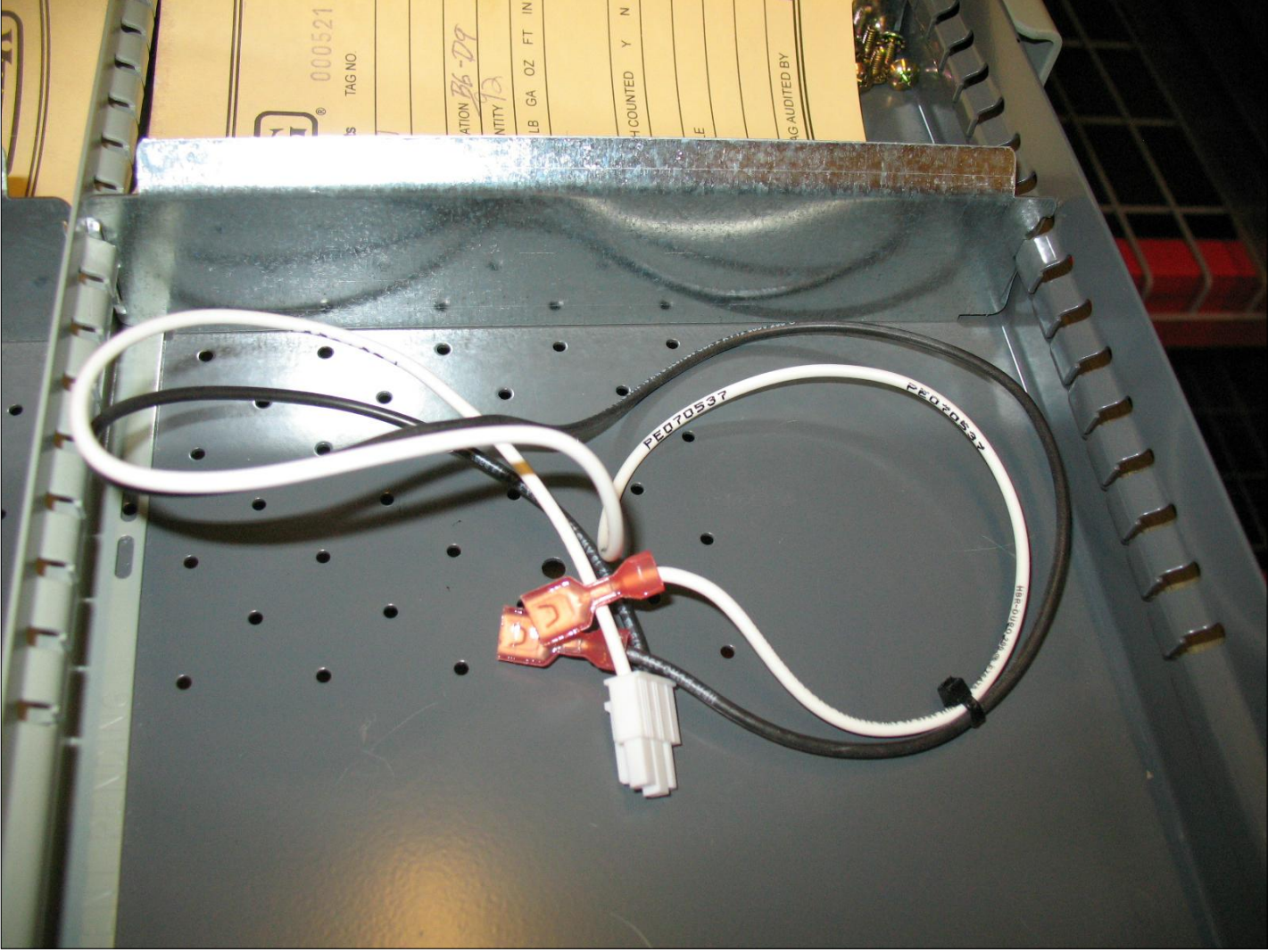


VES 103



| Item | Part No. | Name | Qty | Uom | NOTES |
|------|----------|--------------------|-----|-----|---------------------|
| 1 | PE070536 | SINGLE OVEN JUMPER | 1 | EA | NO LONGER AVAILABLE |

70537 AUTO RESET HARNESS



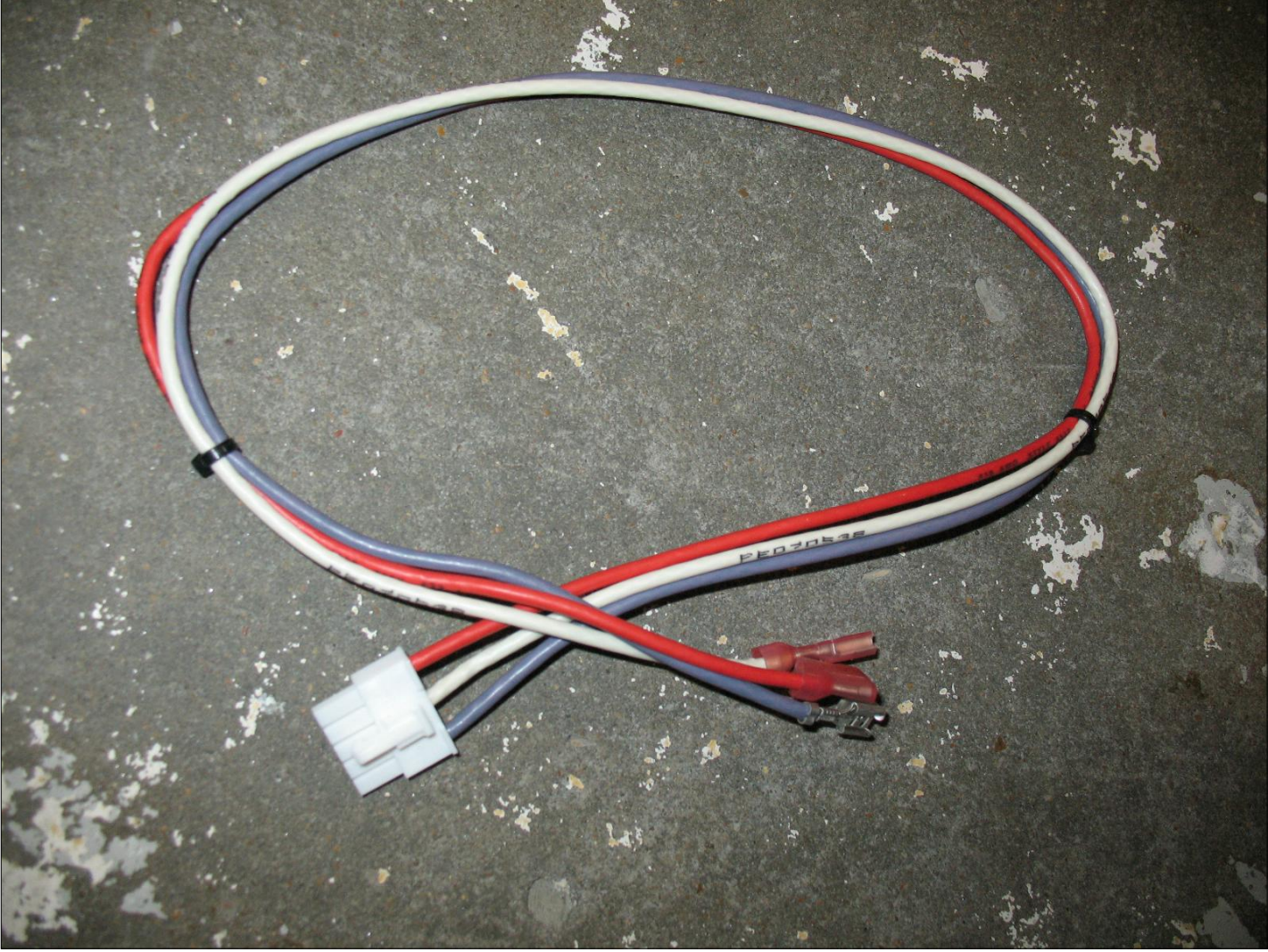


VES 163



| Item | Part No. | Name | Qty | Uom | NOTES |
|------|----------|--------------------|-----|-----|-------|
| 1 | PE070537 | AUTO RESET HARNESS | 1 | EA | |

070538 THERMOSTAT HARNESS

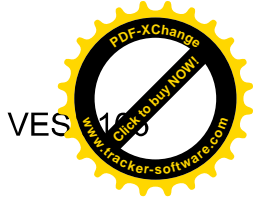




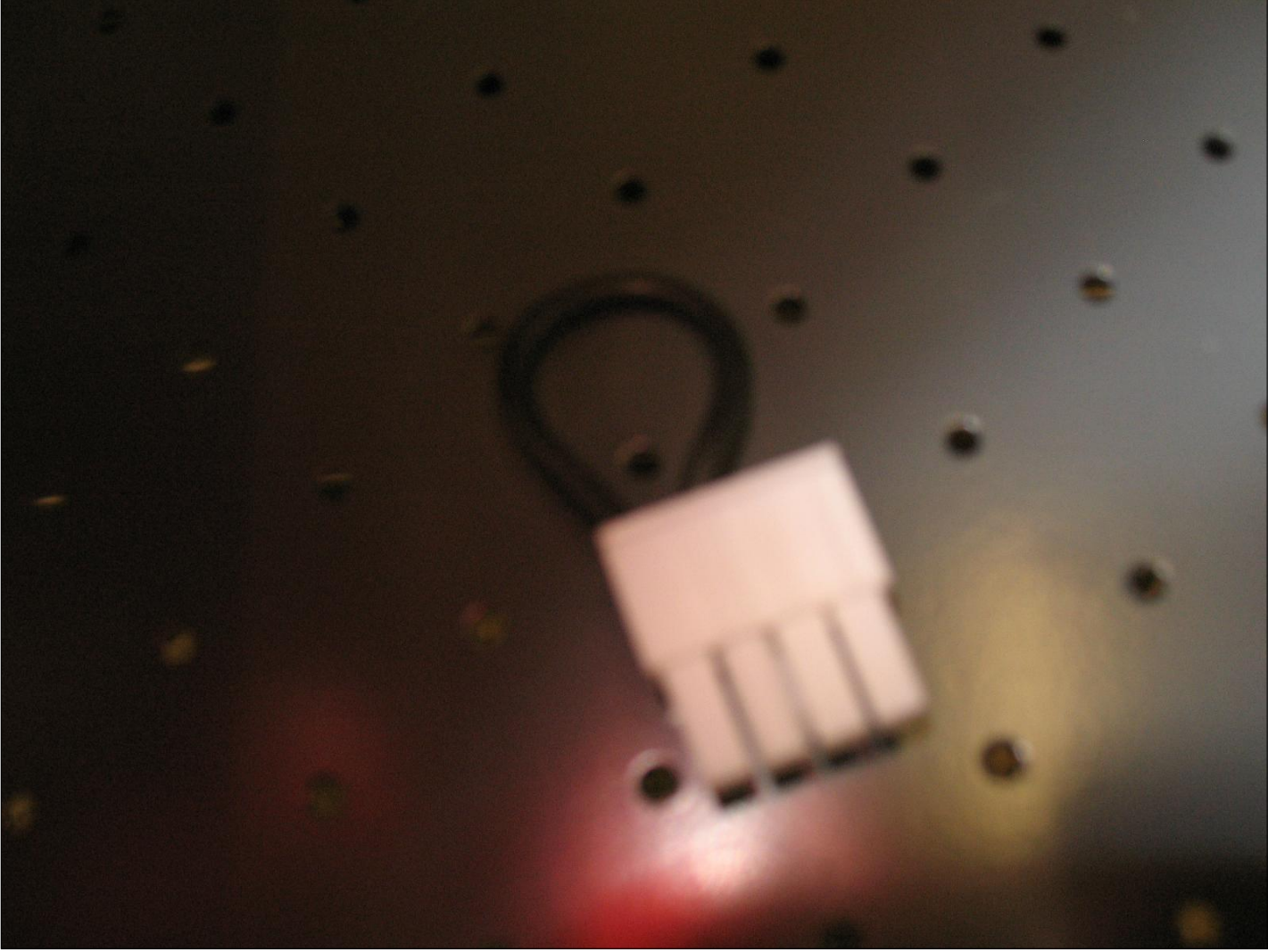
VES 163



| Item | Part No. | Name | Qty | Uom | NOTES |
|------|----------|----------------|-----|-----|---------------------|
| 1 | PE070538 | T/STAT HARNESS | 1 | EA | NO LONGER AVAILABLE |



070624 SINGLE PREHEAT JUMPER

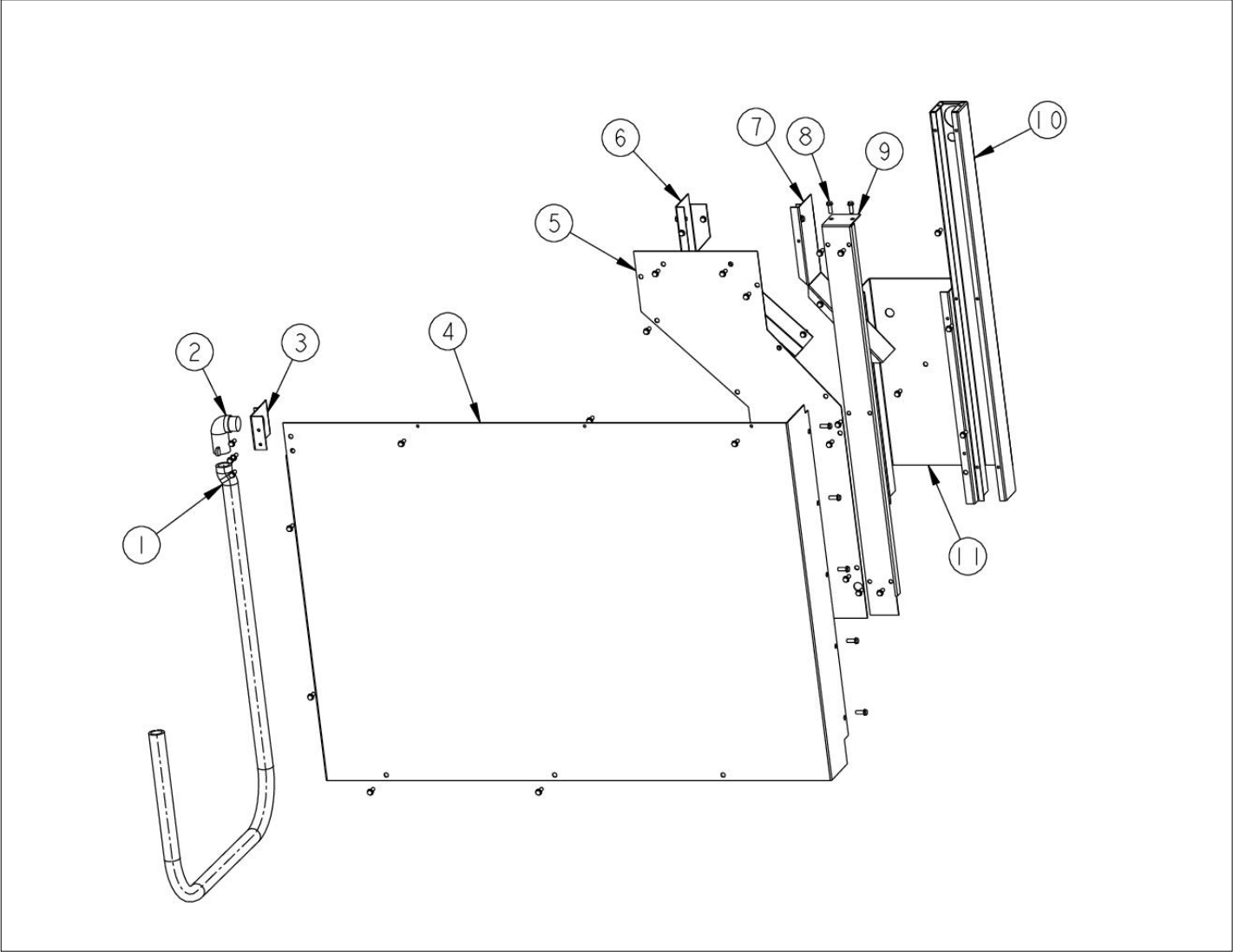




VES 163



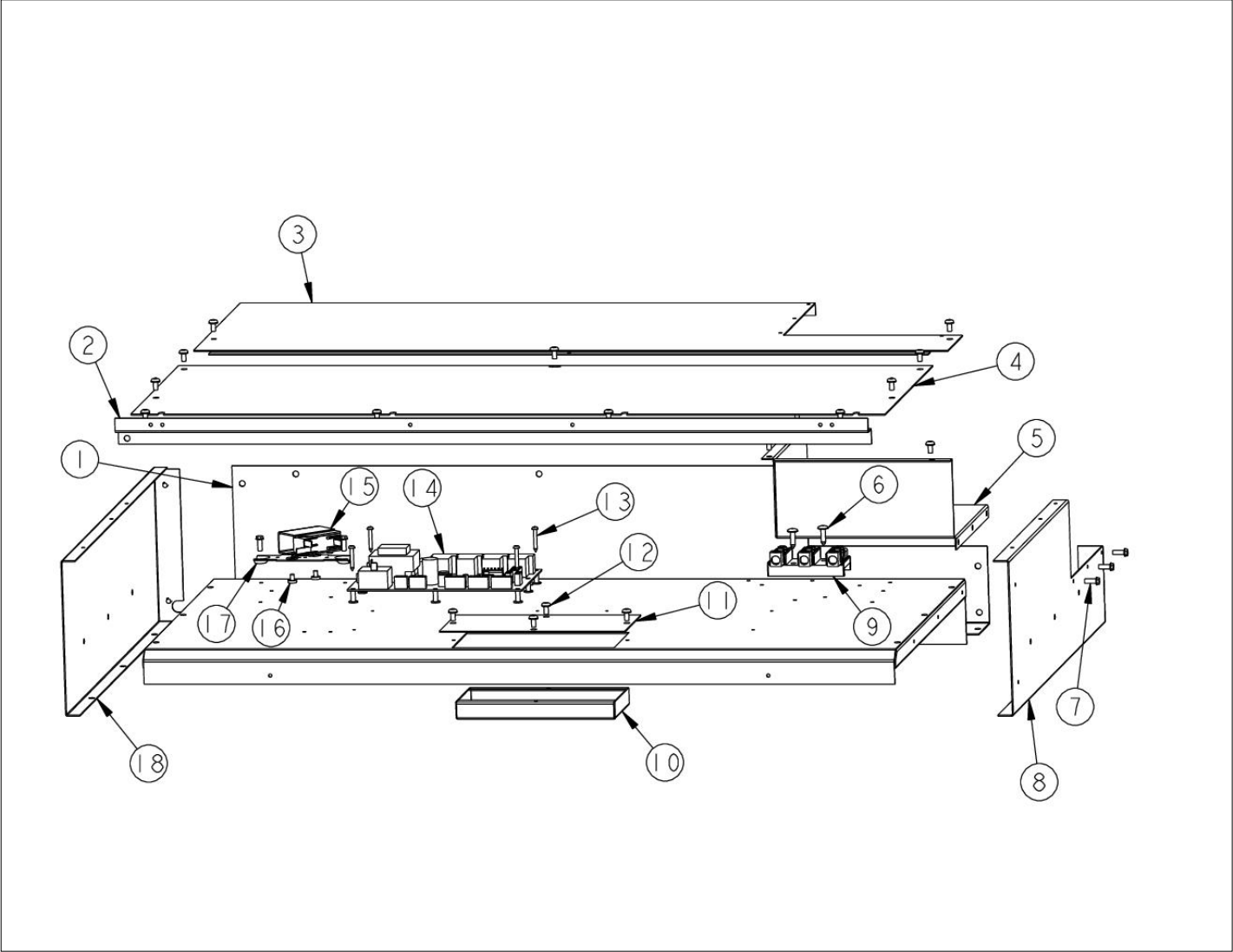
| Item | Part No. | Name | Qty | Uom | NOTES |
|------|----------|-----------------------|-----|-----|---------------------|
| 1 | PE070624 | SINGLE PREHEAT JUMPER | 1 | EA | NO LONGER AVAILABLE |





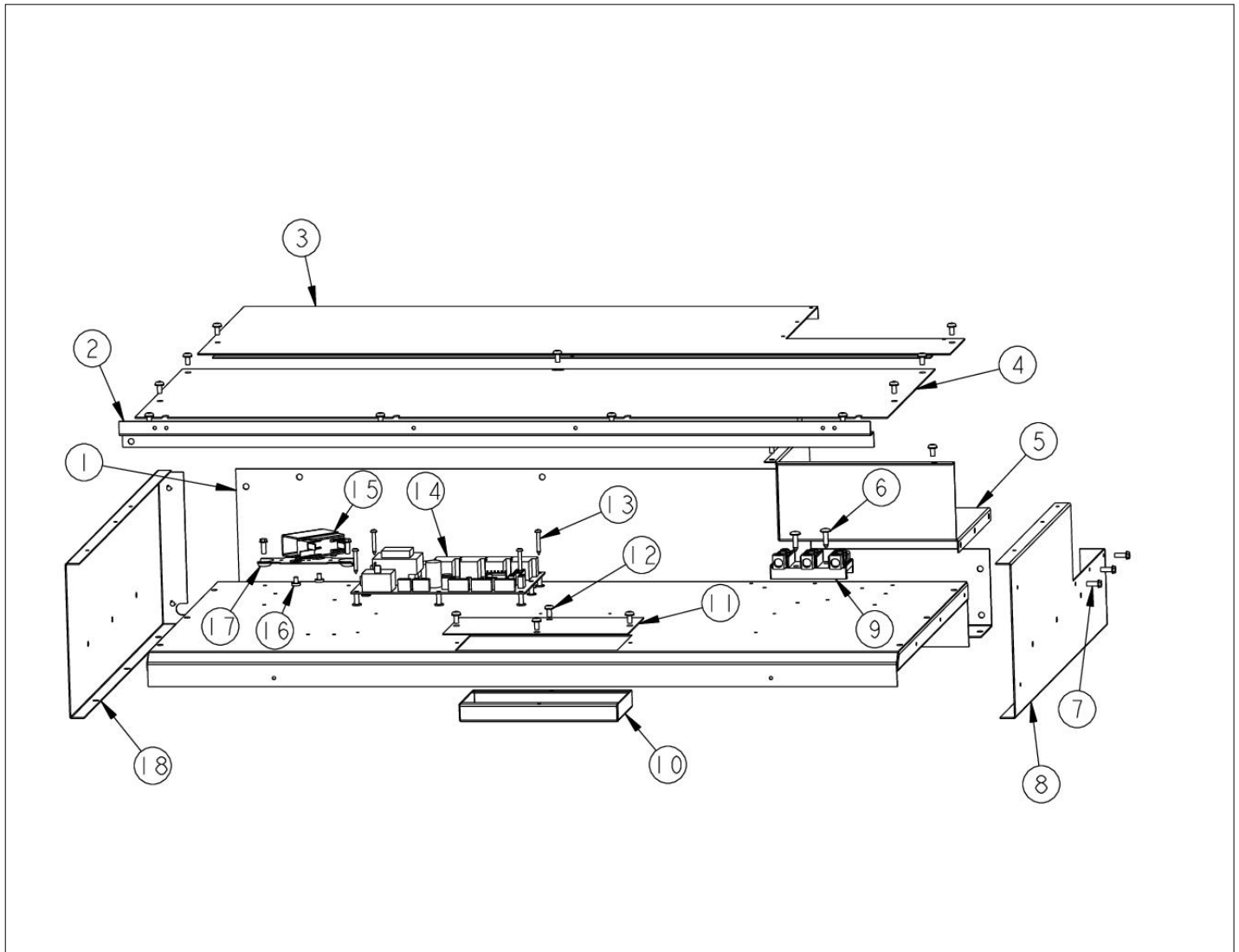
| Item | Part No. | Name | Qty | Uom | NOTES |
|------|----------|-------------------------------|-----|-----|---|
| 1 | PB020071 | CONDUIT - FLEXIBLE (48") | 1 | EA | |
| 2 | PB040070 | CONDUIT FITTING (90 DEG) | 1 | EA | |
| 3 | A2005777 | CONDUIT BRACKET | 1 | EA | NO LONGER AVAILABLE, Not available online / Call for pricing and availability |
| 4 | A2008511 | CABINET BACK UPPER 36 | 1 | EA | NO LONGER AVAILABLE, Not available online / Call for pricing and availability |
| 5 | A1006190 | SINGLE OVEN COVER PLATE | 1 | EA | NO LONGER AVAILABLE, Not available online / Call for pricing and availability |
| 6 | A2006323 | VENT SIDE RH | 1 | EA | NO LONGER AVAILABLE, Not available online / Call for pricing and availability |
| 7 | A2006324 | VENT SIDE LH | 1 | EA | NO LONGER AVAILABLE, Not available online / Call for pricing and availability |
| 8 | PD020060 | Screw, 10 X 1/2 Hex Washer Hd | 1 | EA | |
| 9 | A2006189 | SINGLE OVEN FLUE COVER | 1 | EA | NO LONGER AVAILABLE, Not available online / Call for pricing and availability |
| 10 | A2006188 | SINGLE OVEN FLUE | 1 | EA | NO LONGER AVAILABLE, Not available online / Call for pricing and availability |
| 11 | A2006326 | LOWER AIR VENT SINGLE | 1 | EA | NO LONGER AVAILABLE, Not available online / Call for pricing and availability |

PER UNIT AREA





| Item | Part No. | Name | Qty | Uom | NOTES |
|------|-----------|-----------------------------------|-----|-----|---|
| 1 | A2008518 | TOP REAR COVER 36 | 1 | EA | NO LONGER AVAILABLE, Not available online / Call for pricing and availability |
| 2 | E9108551 | TOP VENT COVER | 1 | EA | NO LONGER AVAILABLE, Not available online / Call for pricing and availability |
| 3 | A20010560 | 36" CABINET TOP REAR | 1 | EA | NO LONGER AVAILABLE, Not available online / Call for pricing and availability |
| 4 | A10010559 | 36" CABINET TOP FRONT | 1 | EA | NO LONGER AVAILABLE, Not available online / Call for pricing and availability |
| 5 | A2008543 | TOP CHANNEL | 1 | EA | NO LONGER AVAILABLE, Not available online / Call for pricing and availability |
| 6 | PD020014 | Screw, 10 X 3/4 Ph Tr SMS | 1 | EA | |
| 7 | PD020060 | Screw, 10 X 1/2 Hex Washer Hd | 1 | EA | |
| 8 | A2007906 | 30" SINGLE CAB. SIDE RH | 1 | EA | NO LONGER AVAILABLE, Not available online / Call for pricing and availability |
| 9 | PE070147 | Terminal Block | 1 | EA | |
| 10 | A20010554 | LOCK BOX | 1 | EA | NO LONGER AVAILABLE, Not available online / Call for pricing and availability |
| 11 | A10010553 | LOCK COVER | 1 | EA | NO LONGER AVAILABLE, Not available online / Call for pricing and availability |
| 12 | PD020004 | 10X3/8PH.HD.TYPE 25 REPL PD040125 | 1 | EA | |
| 13 | PD020185 | Screw, 6 X 1" Pan Head | 1 | EA | |
| 14 | PE070786 | ELECTRONIC CONTROL BOARD | 1 | EA | |
| 15 | PJ030002 | AUTO RESET (SELF-CLEAN) VDSC | 1 | EA | |

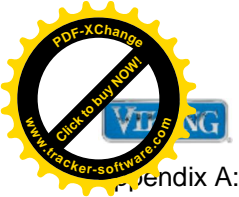




VES 163

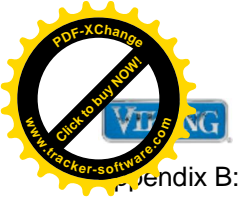


| Item | Part No. | Name | Qty | Uom | NOTES |
|------|----------|-------------------------------|-----|-----|---|
| 16 | PD020044 | #8-32 X 1/4" PH. TR. HD. M.S. | 1 | EA | |
| 17 | A1002456 | THERMO-DISC BRKT (VDSC) | 1 | EA | |
| 18 | A2007699 | CABINET SIDE LH | 1 | EA | NO LONGER AVAILABLE, Not available online / Call for pricing and availability |



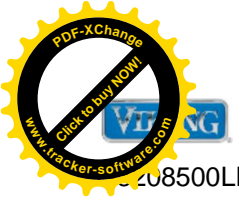
Appendix A:Pages Index

| | |
|---------------------------------------|----|
| 8 POSITION SELECTOR HARNESS | 1 |
| BROILER AREA | 2 |
| CONTROL AREA | 3 |
| DOOR ASSEMBLY | 4 |
| ELECTRONIC BOARD HARNESS | 5 |
| LOWER UNIT AREA | 6 |
| MAIN OVEN CAVITY | 7 |
| MEAT PROBE HARNESS | 8 |
| PE070492 UPPER ELEMENT HARNESS | 9 |
| PE070493 UPPER LATCH HARNESS | 10 |
| PE070497 UPPER LIGHT HARNESS | 11 |
| PE070530 SINGLE CONTROL HARNESS | 12 |
| PE070533 UPPER TIMER HARNESS | 13 |
| PE070536 SINGLE OVEN JUMPER | 14 |
| PE070537 AUTO RESET HARNESS | 15 |
| PE070538 THERMOSTAT HARNESS | 16 |
| PE070624 SINGLE PREHEAT JUMPER | 17 |
| REAR SHEET METAL | 18 |
| UPPER UNIT AREA | 19 |



Appendix B:Parts Index

| | | | |
|------------|----|--------------|----|
| 000594-000 | 4 | A2008555 | 4 |
| 000623-000 | 4 | A2009812 | 2 |
| 008769-000 | 3 | B20012039 | 2 |
| 008770-000 | 3 | B20012072 | 2 |
| 025159-000 | 4 | B2002167 | 4 |
| 031449-000 | 7 | B2008504 | 4 |
| 050172-000 | 3 | B92014054 | 3 |
| A10010553 | 19 | C9008504AL | 4 |
| A10010559 | 19 | C9008504BK | 4 |
| A10014056 | 3 | C9008504BT | 4 |
| A1002456 | 19 | C9008504BU | 4 |
| A1002596 | 7 | C9008504CB | 4 |
| A1006190 | 18 | C9008504EP | 4 |
| A20010554 | 19 | C9008504FG | 4 |
| A20010560 | 19 | C9008504GG | 4 |
| A20016232 | 4 | C9008504LE | 4 |
| A2002189 | 4 | C9008504MJ | 4 |
| A2002497 | 4 | C9008504SG | 4 |
| A2002595 | 7 | C9008504VB | 4 |
| A2002904 | 7 | C9008504WH | 4 |
| A2005777 | 18 | C92014054BK | 3 |
| A2006182 | 6 | C92014054WH | 3 |
| A2006188 | 18 | E9107933 | 7 |
| A2006189 | 18 | E9107934 | 7 |
| A2006323 | 18 | E9108551 | 19 |
| A2006324 | 18 | G3208500AL | 4 |
| A2006325 | 6 | G3208500ALBR | 4 |
| A2006326 | 18 | G3208500BK | 4 |
| A2007276 | 2 | G3208500BKBR | 4 |
| A2007299 | 6 | G3208500BT | 4 |
| A2007699 | 19 | G3208500BTBR | 4 |
| A2007906 | 19 | G3208500BU | 4 |
| A2008467 | 7 | G3208500BUBR | 4 |
| A2008503 | 4 | G3208500CB | 4 |
| A2008507 | 6 | G3208500CBBR | 4 |
| A2008511 | 18 | G3208500EP | 4 |
| A2008518 | 19 | G3208500EPBR | 4 |
| A2008526 | 3 | G3208500FG | 4 |
| A2008534 | 4 | G3208500FGBR | 4 |
| A2008543 | 19 | G3208500GG | 4 |
| | | G3208500GGBR | 4 |



| | | | |
|--------------|------|-------------|-----------------|
| G3208500LE | 4 | PD020004 | 3, 4 |
| G3208500LEBR | 4 | PD020006 | 2 |
| G3208500MJ | 4 | PD020014 | 19 |
| G3208500MJBR | 4 | PD020032 | 4 |
| G3208500SG | 4 | PD020033 | 7 |
| G3208500SGBR | 4 | PD020044 | 19 |
| G3208500SS | 4 | PD020048 | 2 |
| G3208500SSBR | 4 | PD020060 | 2, 6, 7, 18, 19 |
| G3208500VB | 4 | PD020061 | 3, 6, 7 |
| G3208500VBBR | 4 | PD020185 | 19 |
| G3208500WH | 4 | PD020261 | 3 |
| G3208500WHBR | 4 | PD030006 | 4 |
| G4007966 | 8 | PD030062 | 2 |
| G9102750 | 7 | PE010016 | 4 |
| G9108501 | 4 | PE010017 | 4 |
| G9108522 | 7 | PE010079 | 4 |
| G9108531 | 4 | PE010080 | 4 |
| J1008505 | 4 | PE030001 | 4 |
| PB010165 | 3 | PE030001PVD | 4 |
| PB010166 | 3 | PE030133 | 4 |
| PB010304PVD | 3 | PE030133PVD | 4 |
| PB010305 | 3 | PE040071 | 7 |
| PB010306 | 3 | PE040190 | 6 |
| PB010307 | 3 | PE040192 | 3 |
| PB010308 | 3 | PE040193 | 3 |
| PB010309 | 3 | PE050005 | 7 |
| PB010310 | 3 | PE050023 | 3 |
| PB010311 | 3 | PE050024 | 3 |
| PB010312 | 3 | PE050059 | 2 |
| PB010329 | 3 | PE050076 | 3 |
| PB010330 | 3 | PE050087 | 2 |
| PB020071 | 18 | PE050112 | 2 |
| PB020175 | 2 | PE050213 | 3 |
| PB040070 | 18 | PE060065 | 4 |
| PB060030 | 7 | PE060066 | 4 |
| PB060045 | 7 | PE060067 | 4 |
| PC020016 | 7 | PE060068BR | 4 |
| PC020188 | 4 | PE060069 | 4 |
| PD010003 | 3 | PE070147 | 19 |
| PD010019 | 4 | PE070492 | 9 |
| PD020002 | 4, 7 | PE070493 | 10 |



| | |
|----------|----|
| PE070497 | 11 |
| PE070529 | 5 |
| PE070530 | 12 |
| PE070533 | 13 |
| PE070536 | 14 |
| PE070537 | 15 |
| PE070538 | 16 |
| PE070539 | 1 |
| PE070624 | 17 |
| PE070786 | 19 |
| PJ010001 | 2 |
| PJ010002 | 2 |
| PJ010003 | 7 |
| PJ010006 | 7 |
| PJ030001 | 3 |
| PJ030002 | 19 |
| PJ030006 | 2 |
| PJ030011 | 3 |
| PJ030037 | 3 |
| PM010014 | 2 |